

VIN PLATE DECODING INFORMATION

1	2	3	4	5	6	7	8	9	10	11	12 thru 17
Country	Make	Vehicle Type	Other	Line	Series	Body Style	Engine	Check Digit	Model Year	Assy. Plant	Sequence No.

The following table interprets the VIN Plate position shown above.

Position	Interpretation	Codes = Description
1	Country of Origin	1 = Built in U.S. by DaimlerChrysler Corporation
2	Assembler	B = Dodge
3	Vehicle Type	3 = Passenger Car
4	GVWR & Pass. Safety	E = Restraint System Active Driver & Passenger Air Bag (CGW)
5	Vehicle Line	R = Viper
6	Series	6 = Viper GTS-Coupe (D-S29) 6 = Viper RT/10 (D-S27)
7	Body Style	9 = 2 Door Specialty Coupe 5 = Convertible - Open Body
8	Engine	E = 8.0L 10 Cylinder Aluminum Block (EWB)
9	Check Digit	0 = Check Digit 0 = Check Digit
10	Model Year	V = 1997 W = 1998 X = 1999 1 = 2001 2 = 2002 Y = 2000
11	Assembly Plant	V = New Mack Development Center
12 thru 17	Vehicle Build Sequence	Model Year Assembly Sequence

Group - 2

Front Suspension & Drive

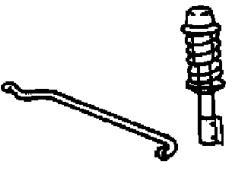
Group - 2 Front Suspension & Drive

Group-Fig. No.

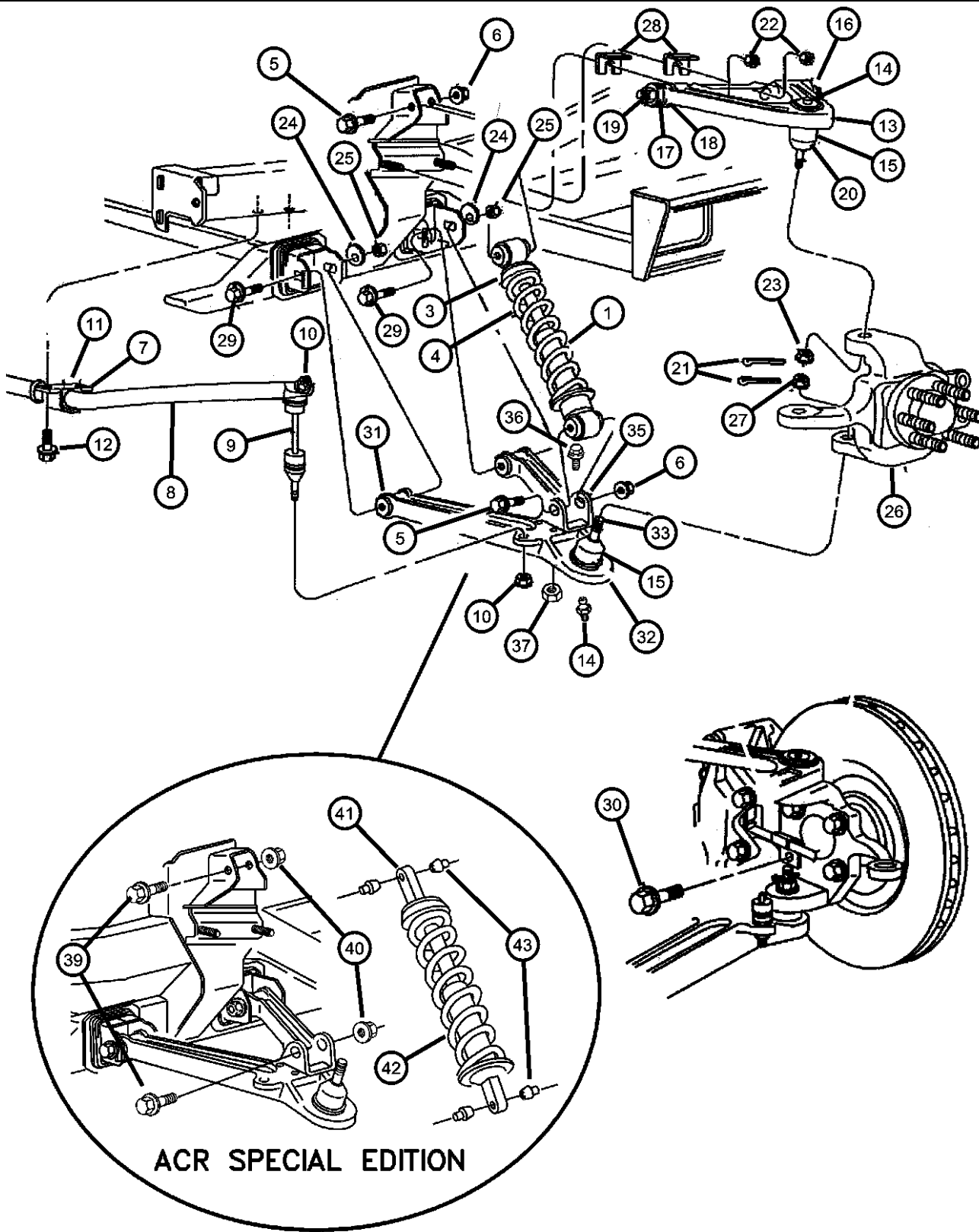
Illustration Title

Front Suspension

Suspension, Front..... Fig. 2 - 110

<p>002-100 Front Suspension</p> 			
---	--	--	--

Suspension, Front
Figure 2-110



ITEM	PART NUMBER	QTY	LINE	SERIES	BODY	ENGINE	TRANS	TRIM	DESCRIPTION
------	-------------	-----	------	--------	------	--------	-------	------	-------------

Note:SDK=COMPETITION GROUP

1	04873102	2							SPRING, Front Suspension Coil, [SDE], Right or Left
-2	04873102	2							SHIM, Coil Over Shock Spring, (NOT REQUIRED)
3	04873102	2							SEAT, Spring, (NOT REQUIRED)
4	04848641	2							SHOCK ABSORBER, Suspension, Front, [SDE], Right or Left
5	06100969	4							BOLT, Hex Flange Head, M14x2.00x90
6	06502698	4							NUT, Hex Flange Lock
7	04404219	2							RETAINER, Stabilizer Bar Grommet
8	04848105	1							STABILIZER BAR, Front
9	04763147	2							LINK, Sway Eliminator, Stabilizer Bar
10	06502556	2							NUT, Hex, M10-1.5
11	04643004	2							BUSHING, Stabilizer Bar, Stabilizer Bar Clamp
12	04643004	2							SCREW, M10x1.50x30.00 (Not Serv.), (NOT SERVICED)
13	04709292	2							ARM, ControlUpper
14	06030099	2							FITTING, Ball Joint, Zirc
15	52006404	1							SEAL, Ball Joint
16	04848049	4							BUSHING, Control ArmUpper
17	04014175	4							WASHER, Control Arm Pivot, .627x1.30x089, Upper
18	03815704	4							RETAINER, Control Arm BushingUpper
19	06036048AA	4							NUT, Hex Lock, .562 - 18
20	06036048AA	4							BALL JOINT, Upper Control Arm, [(Service in Arm)], (NOT SERVICED)
21	00120123	2							PIN, Cotter, .125x1.25
22	06036048AA	4							NUT, Hex Lock, .562 - 18
23	06035641	2							NUT, Hex, .625-18
24	02269232	4							CAM, Front Suspension Control Arm, Adjusting
25	00152349	4							NUT, Hex, .50-20
26									KNUCKLE, Front
	04709303	1							Left
	04709304	1							Right
27	06035670	4							NUT, Hex, .687-18

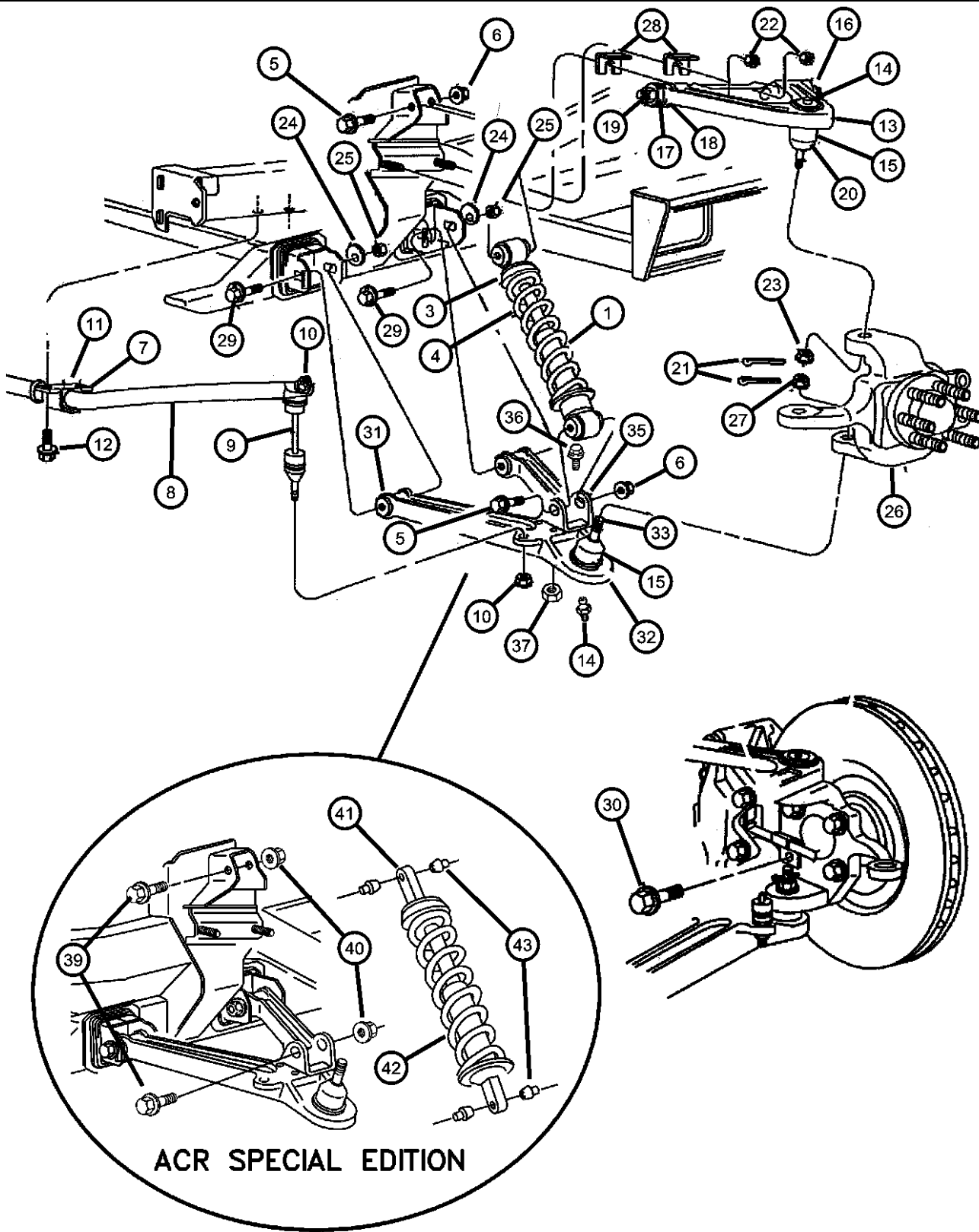
VIPER GTS COUPE,VIPER RT/10 ROADSTER (SR)

SERIES	LINE	BODY	ENGINE	TRANSMISSION
S = RT/10	D = DODGE	27 = 2-DR CONVERTIBLE	EWB = ENGINE - 8.0L V10	DEC = TRANSMISSION - 6-SPEED
S = GTS Coupe		29 = SPECIALTY COUPE	SFI	MANUAL
X = GTS/Lemans			EW0 = All 8.0L Gas	DBB = All Manual

AR = use ase required - = Non illustrated part

2000 SR

Suspension, Front
Figure 2-110



ITEM	PART NUMBER	QTY	LINE	SERIES	BODY	ENGINE	TRANS	TRIM	DESCRIPTION
28	04642056	4							SHIM, Control Arm, Front Adjusting
29	04709323	4							BOLT, Control Arm Cam, Lower
30	06502136	3							BOLT, Hex Flange Head, M10x1.50x55
31	04848050	2							BUSHING, Control Arm
32									ARM, Control
	04709296	1							Lower, Right
	04709297	1							Lower, Left
33	04709297	1							BALL JOINT, Lower Control Arm, Serviced with Control Arm, (NOT SERVICED),
-34	04848173	1							GASKET, Ball Joint
35									BRACKET, Shock Mounting
	04709298	1							Right
	04709299	1							Left
36	04709299	1							BOLT, M10x1.50x65.00 (Not Serv.), (NOT SERVICED)
37	06502696	3							NUT, Hex Flange Lock, M10x1.5
-38	05012650AA	2							BUSHING, Shock Absorber
39	06036254AA	4							SCREW
40	06036253AA	4							NUT
41									SHOCK ABSORBER, Suspension, Front
	05264844AA	2							KONI [SDK], Right or Left
	05264922AA	1							DSI with Reservoir, without Spring [SDK], Right
	05290073AA	1			29				DSI with Reservoir, without Spring [SDK], Left
	05290556AA	1							DSI with Reservoir, with Spring [SDK], Right
	05290916AA	1			29				DSI with Reservoir, with Spring [SDK], Left
42	05264923AA	1							SPRING, Front Suspension Coil, Sales Code [SDK], Right or Left
43	05264847AB	8							SPACER, Shock Absorber Bushing

VIPER GTS COUPE, VIPER RT/10 ROADSTER (SR)

SERIES	LINE	BODY	ENGINE	TRANSMISSION
S = RT/10	D = DODGE	27 = 2-DR CONVERTIBLE	EWB = ENGINE - 8.0L V10	DEC = TRANSMISSION - 6-SPEED
S = GTS Coupe		29 = SPECIALTY COUPE	SFI	MANUAL
X = GTS/Lemans			EW0 = All 8.0L Gas	DBB = All Manual

AR = use ase required - = Non illustrated part

2000 SR

Group - 3

Rear Axle

Group - 3 Rear Axle

Group-Fig. No.

Illustration Title

Rear Axle

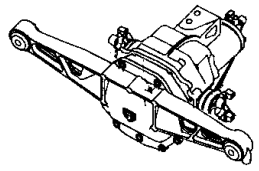
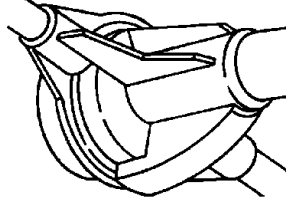
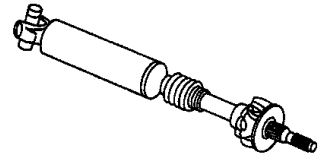
Axle Assembly, Rear Fig. 3 - 110

Differential and Housing

Differential Assembly, Rear Fig. 3 - 210

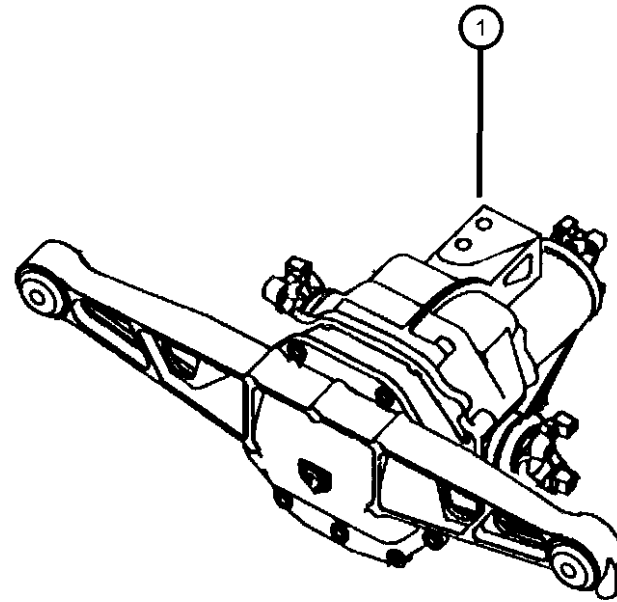
Rear Axle Shafts

Shaft, Rear Axle Fig. 3 - 405

<p>003-100 Rear Axle</p> 	<p>003-200 Differential and Housing</p> 	<p>003-400 Rear Axle Shafts</p> 	
--	--	---	--

Axle Assembly, Rear
Figure 3-110

ITEM	PART NUMBER	QTY	LINE	SERIES	BODY	ENGINE	TRANS	TRIM	DESCRIPTION
1	04763897AB	1							DIFFERENTIAL, Rear Axle



VIPER GTS COUPE,VIPER RT/10 ROADSTER (SR)

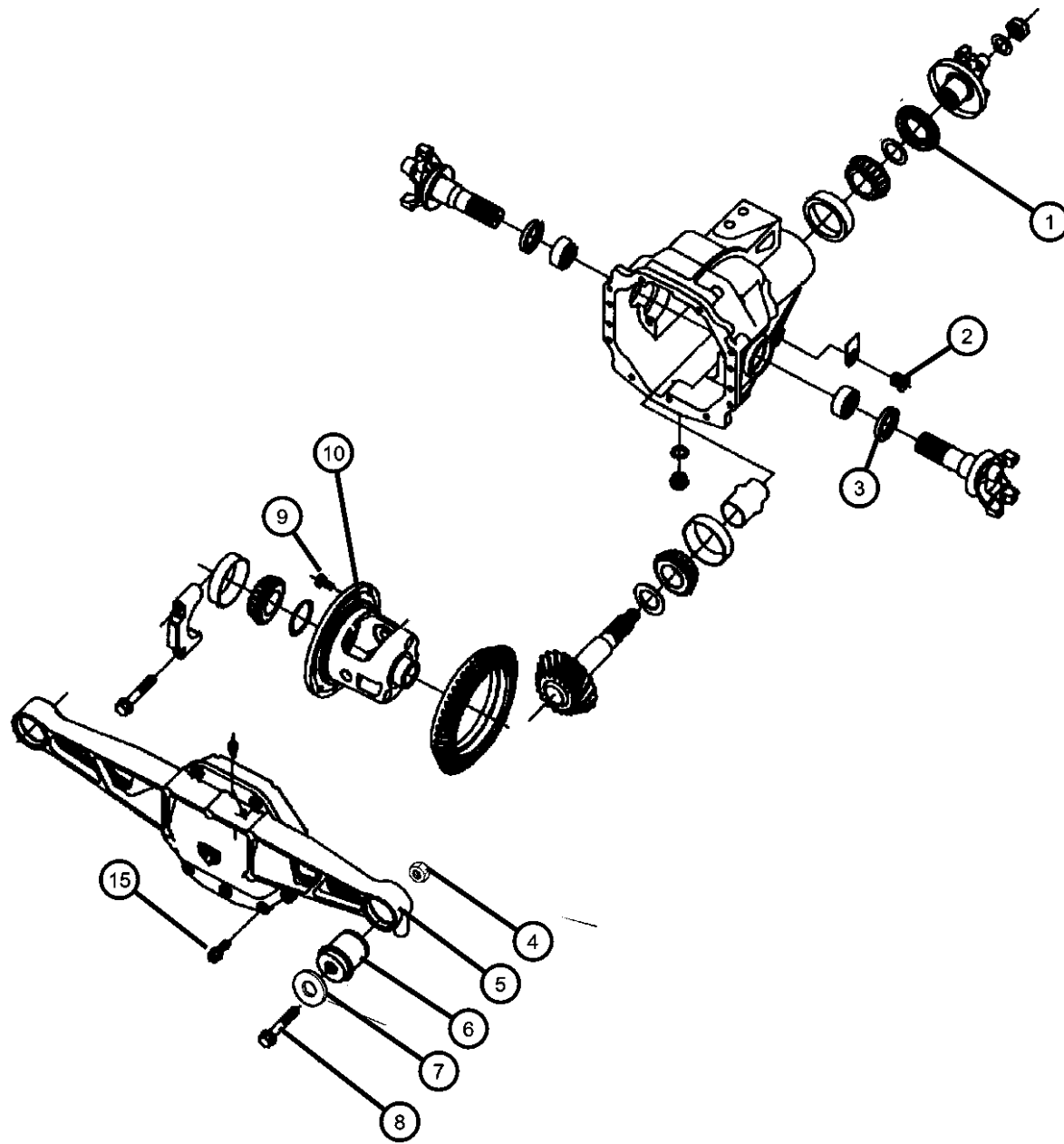
SERIES	LINE	BODY	ENGINE	TRANSMISSION
S = RT/10	D = DODGE	27 = 2-DR CONVERTIBLE	EWB = ENGINE - 8.0L V10	DEC = TRANSMISSION - 6-SPEED
S = GTS Coupe		29 = SPECIALTY COUPE	SFI	MANUAL
X = GTS/Lemans			EW0 = All 8.0L Gas	DBB = All Manual

AR = use ase required - = Non illustrated part

2000 SR

**Differential Assembly,Rear
Figure 3-210**

ITEM	PART NUMBER	QTY	LINE	SERIES	BODY	ENGINE	TRANS	TRIM	DESCRIPTION
1	04384188	1							SEAL, Drive PinionFront
2	04626710	1							PLUG, Differential Housing
3	04626696	2							SEAL, Axle Drive Shaft
4	06100520	2							NUT, Hex Flange Head Locking, M14x2, Differential, Mounting
5	05012937AA	1							COVER, Differential
6	04626738AB	2							BUSHING, Axle Mount
7	06506890AA	2							WASHER, Flat, Differential, Mounting
8	06100468	2							BOLT, Hex Head, M16x95, Differential, Mounting
9	05252503	10							SCREW, Drive Gear, Ring Gear, Mounting
10	05014114AA	1							CASE, Differential
-11	06502578	2							BOLT AND WASHER, Hex Head, M14 x 2.00 x 200.00, Crossmember to Differential, Mounting
-12	06506890AA	2							WASHER, Flat, Crossmember to Differential, Mounting
-13	06100520	2							NUT, Hex Flange Head Locking, M14x2, Crossmember to Differential, Mounting
-14	04626707	2							RING, Axle Shaft, Snap
15	04626709	9							BOLT, Differential Cover



VIPER GTS COUPE,VIPER RT/10 ROADSTER (SR)

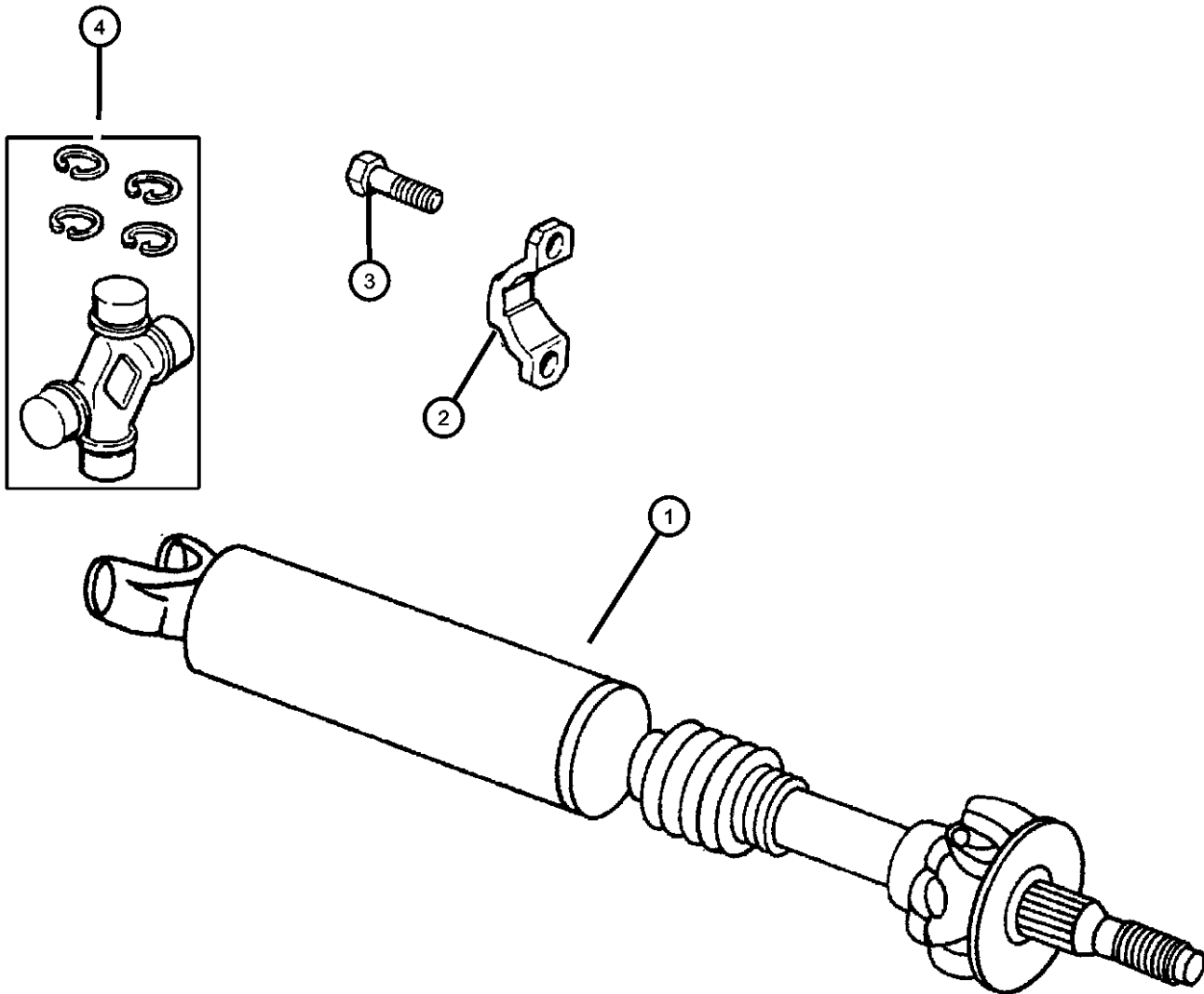
SERIES	LINE	BODY	ENGINE	TRANSMISSION
S = RT/10	D = DODGE	27 = 2-DR CONVERTIBLE	EWB = ENGINE - 8.0L V10	DEC = TRANSMISSION - 6-SPEED
S = GTS Coupe		29 = SPECIALTY COUPE	SFI	MANUAL
X = GTS/Lemans			EW0 = All 8.0L Gas	DBB = All Manual

AR = use ase required - = Non illustrated part

2000 SR

Shaft, Rear Axle
Figure 3-405

ITEM	PART NUMBER	QTY	LINE	SERIES	BODY	ENGINE	TRANS	TRIM	DESCRIPTION
1	04763676	2							SHAFT, Axle Half
2	04428723	6							CLAMP, U-Joint
3	06502581	12							BOLT, Hex Flange Head, M8x1.0x19
4	04797307	4							U JOINT



VIPER GTS COUPE,VIPER RT/10 ROADSTER (SR)

SERIES	LINE	BODY	ENGINE	TRANSMISSION
S = RT/10	D = DODGE	27 = 2-DR CONVERTIBLE	EWB = ENGINE - 8.0L V10	DEC = TRANSMISSION - 6-SPEED
S = GTS Coupe		29 = SPECIALTY COUPE	SFI	MANUAL
X = GTS/Lemans			EW0 = All 8.0L Gas	DBB = All Manual

AR = use ase required - = Non illustrated part

2000 SR

Group - 4

Parking Brake

Group - 4 Parking Brake

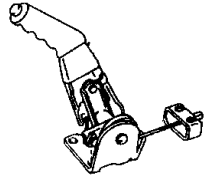
Group-Fig. No.

Illustration Title

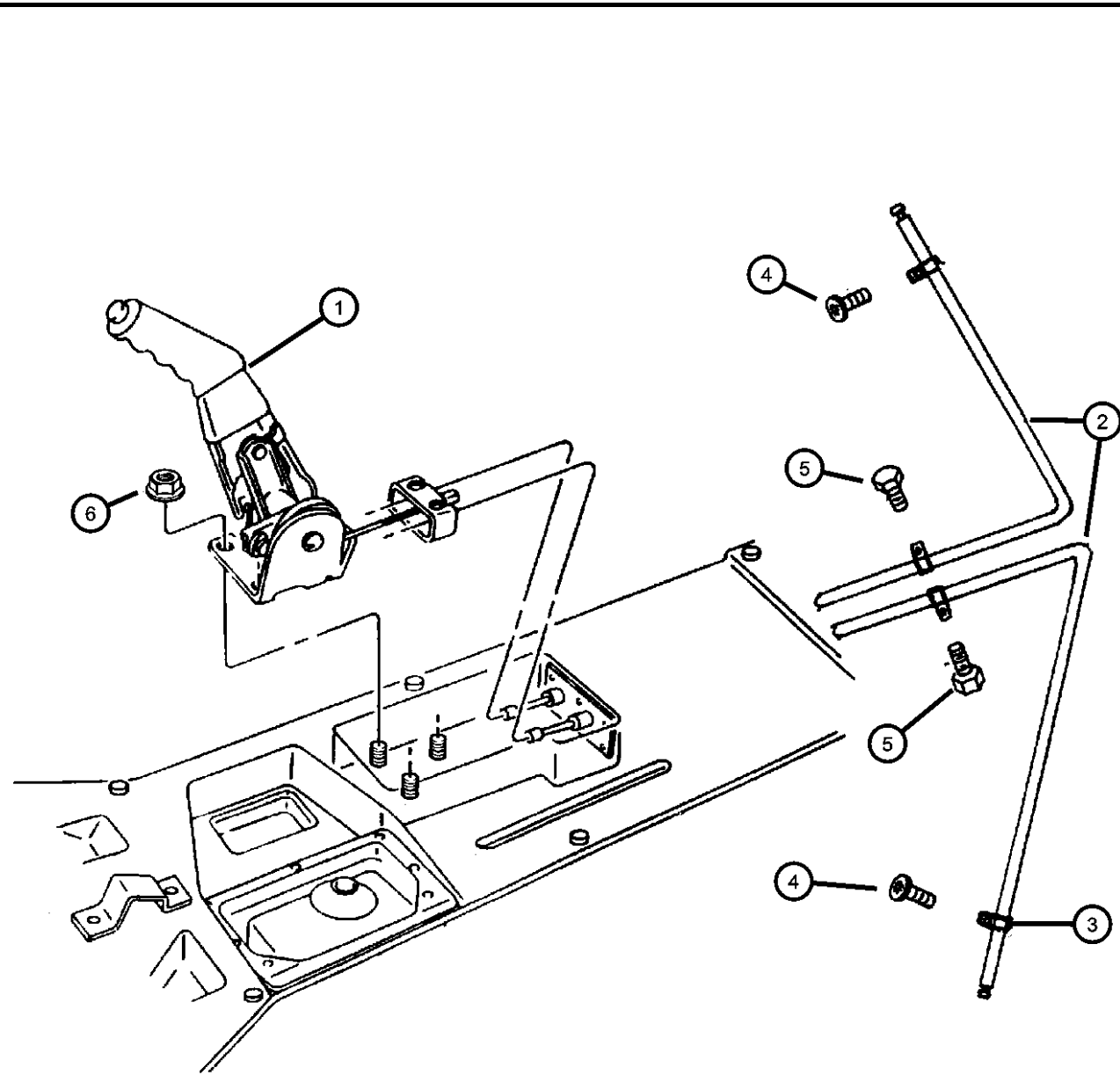
Parking Brake Lever and Cables

Lever Assembly And Cables Parking Brake Fig. 4 - 110

004-100
Parking Brake Lever and Cables



**Lever Assembly And Cables Parking Brake
Figure 4-110**



ITEM	PART NUMBER	QTY	LINE	SERIES	BODY	ENGINE	TRANS	TRIM	DESCRIPTION
1	0SM741X9AA	1							LEVER, Park Brake [X9]
	0SM74WU-CAA	1							[XU]
2	04763181	2							CABLE, Parking Brake
3	04763181	2							CLIP, (Serviced in Item #2) ***, (NOT SERVICED)
4	04763181	2							SCREW, Tap/Hex Flg Hd Type Serrations .250-14x.875, (NOT SERVICED)
5	06100575	2							BOLT AND CONED WASHER, Hex Head, M8x25x17
6	06101445	3							NUT AND WASHER, Hex Nut-Coned Washer, M8 x 1.25

VIPER GTS COUPE,VIPER RT/10 ROADSTER (SR)

SERIES	LINE	BODY	ENGINE	TRANSMISSION
S = RT/10	D = DODGE	27 = 2-DR CONVERTIBLE	EWB = ENGINE - 8.0L V10	DEC = TRANSMISSION - 6-SPEED
S = GTS Coupe		29 = SPECIALTY COUPE	SFI	MANUAL
X = GTS/Lemans			EW0 = All 8.0L Gas	DBB = All Manual

AR = use ase required - = Non illustrated part

Group - 5

Service Brakes

Group - 5 Service Brakes

Group-Fig. No.

Illustration Title

Front Brakes

Brakes, Front Fig. 5 - 110

Rear Brakes

Brakes, Rear..... Fig. 5 - 210

Power Brake Booster

Booster, Power Brake..... Fig. 5 - 310

Brake Master Cylinder

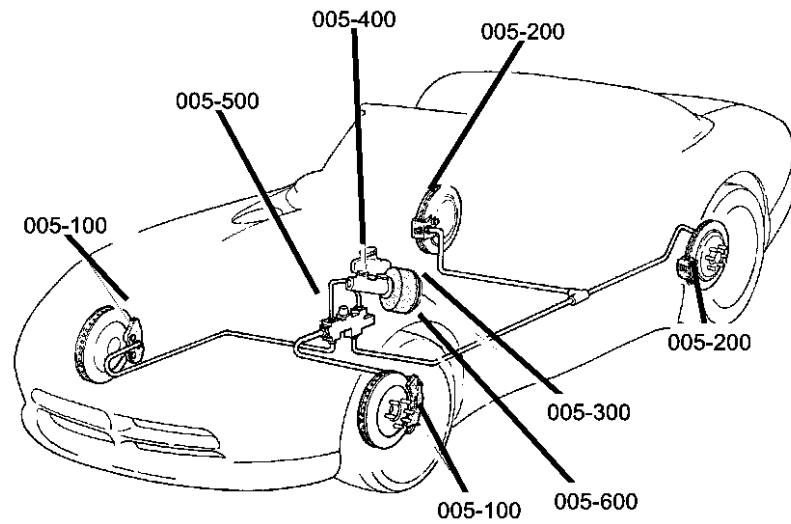
Master Cylinder, Brake..... Fig. 5 - 410

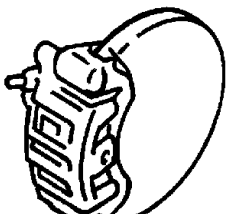
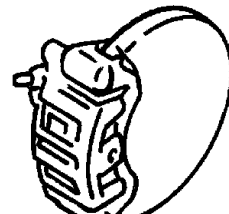
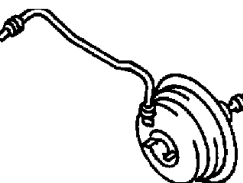
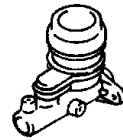
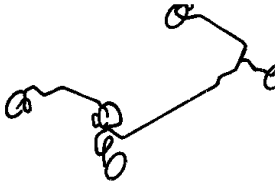

Brake Lines and Hoses

Lines And Hoses, Brake Fig. 5 - 510

Brake Pedals

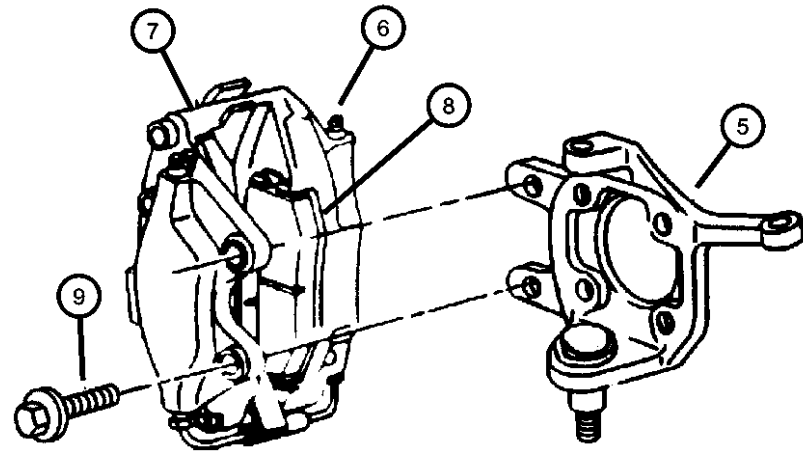
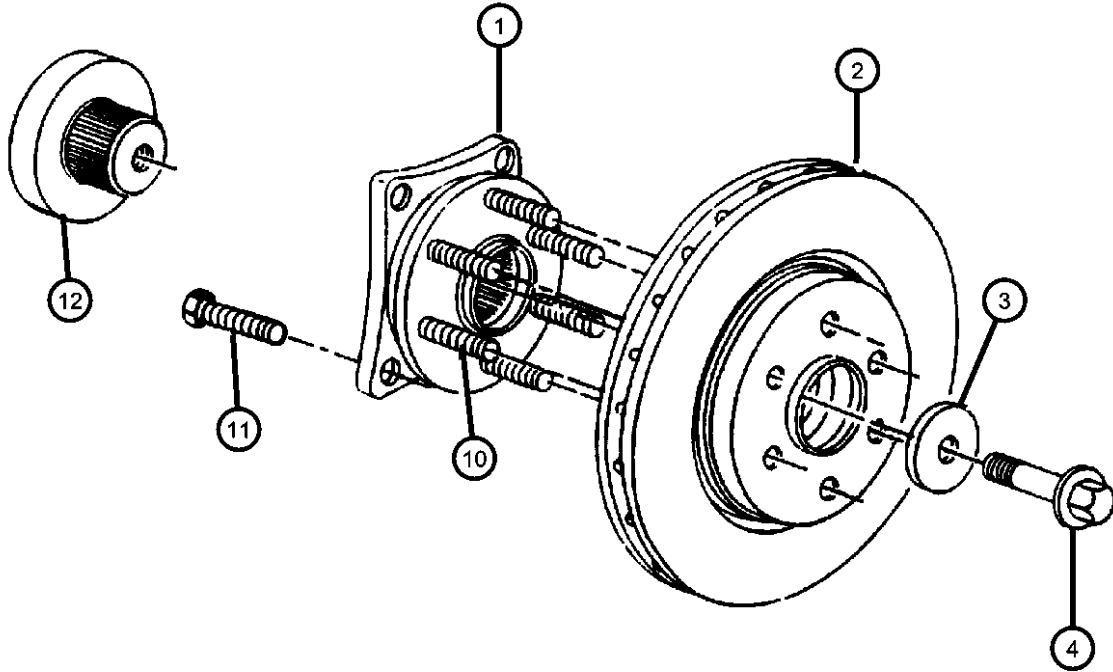
Pedal, Brake..... Fig. 5 - 610



<p>005-100 Front Brakes</p> 	<p>005-200 Rear Brakes</p> 	<p>005-300 Power Brake Booster</p> 	<p>005-400 Brake Master Cylinder</p> 
<p>005-500 Brake Lines and Hoses</p> 	<p>005-600 Brake Pedals</p> 		

Brakes, Front
Figure 5-110

ITEM	PART NUMBER	QTY	LINE	SERIES	BODY	ENGINE	TRANS	TRIM	DESCRIPTION
1	04763182	1							BEARING, Suspension Trailing
2	04642122	2							ROTOR, Brake
3	04642122	2							WASHER, (NOT SERVICED)
4	04642122	2							BOLT, (NOT SERVICED)
5									KNUCKLE, Front
	04709303	1							Left
	04709304	1							Right
6	04720990	1							BLEEDER SCREW PKG, BRAKE
7									CALIPER, Disc Brake
	04723572	1							Left
	04723573	1							Right
8	04897218AB	1							PAD KIT, Front Disc BrakeRight
9	06101964	4							SCREW AND WASHER, Hex Head, M12x1.75x40
10	06033702	6							BOLT, D Head, .50-20x2.00
11	06502136	3							BOLT, Hex Flange Head, M10x1.50x55
12	06502294	2							NUT, Hex Flange, M22x1.25
-13	04848166	1							GASKET, Front Wheel Bearing
-14	04723459	1							PLATE, Brake Torque
-15									PISTON PACKAGE, Disc Brake
	04723456	1							[Piston,Boot,Seal], Left
	04723455	1							[Piston,Boot,Seal], Right



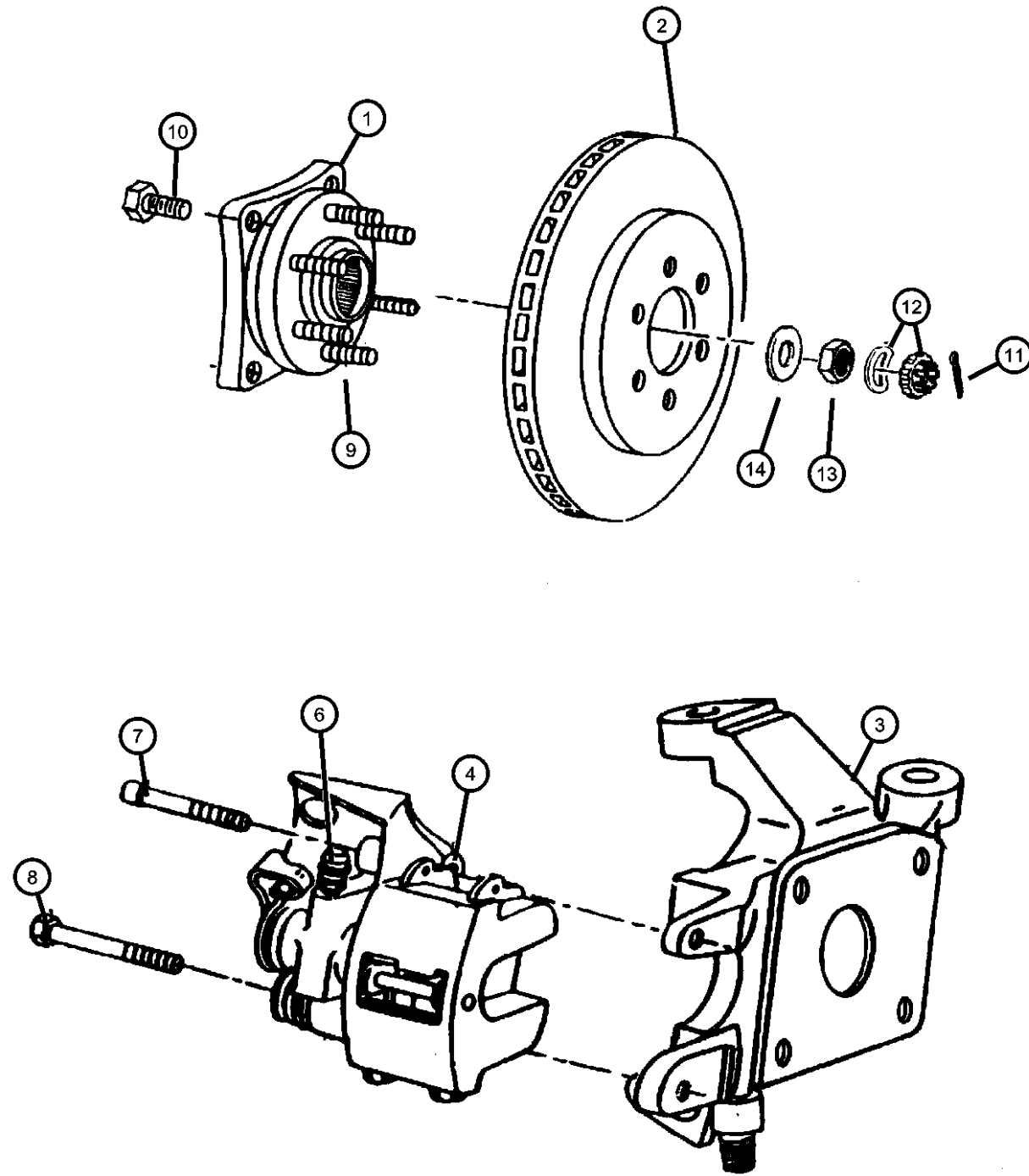
VIPER GTS COUPE,VIPER RT/10 ROADSTER (SR)

SERIES	LINE	BODY	ENGINE	TRANSMISSION
S = RT/10	D = DODGE	27 = 2-DR CONVERTIBLE	EWB = ENGINE - 8.0L V10	DEC = TRANSMISSION - 6-SPEED
S = GTS Coupe		29 = SPECIALTY COUPE	SFI	MANUAL
X = GTS/Lemans			EW0 = All 8.0L Gas	DBB = All Manual

AR = use ase required - = Non illustrated part

2000 SR

Brakes, Rear
Figure 5-210



ITEM	PART NUMBER	QTY	LINE	SERIES	BODY	ENGINE	TRANS	TRIM	DESCRIPTION
1	04848716	1							HUB AND BEARING, Brake
2	04642353	2							ROTOR, Brake
3									KNUCKLE, Rear
	04709281	1							Left
	04709282	1							Right
4									CALIPER, Disc Brake
	04723606	1							Right
	04723607	1							Left
-5	04897219AB	1							PAD KIT, Rear Disc Brake
6	04720990	1							BLEEDER SCREW PKG, BRAKE
7	34202857	2							SCREW, Socket Head, M8x1.25x60
8	34202858	2							BOLT, Hex Head, M10x1.25x80
9	06033702	6							BOLT, D Head, .50-20x2.00
10	06035642	4							SCREW AND WASHER, Hex Head Locking, .50-20x2.25 Grade 8
11	06500336	2							PIN, Cotter, M5x36.00
12	04293167	2							NUT AND WASHER PACKAGE, Front Hub
13	06502294	1							NUT, Hex Flange, M22x1.25
14	06502293	2							WASHER, Flat, M23x43x4

VIPER GTS COUPE,VIPER RT/10 ROADSTER (SR)

SERIES	LINE	BODY	ENGINE	TRANSMISSION
S = RT/10	D = DODGE	27 = 2-DR CONVERTIBLE	EWB = ENGINE - 8.0L V10	DEC = TRANSMISSION - 6-SPEED
S = GTS Coupe		29 = SPECIALTY COUPE	SFI	MANUAL
X = GTS/Lemans			EW0 = All 8.0L Gas	DBB = All Manual

AR = use ase required - = Non illustrated part

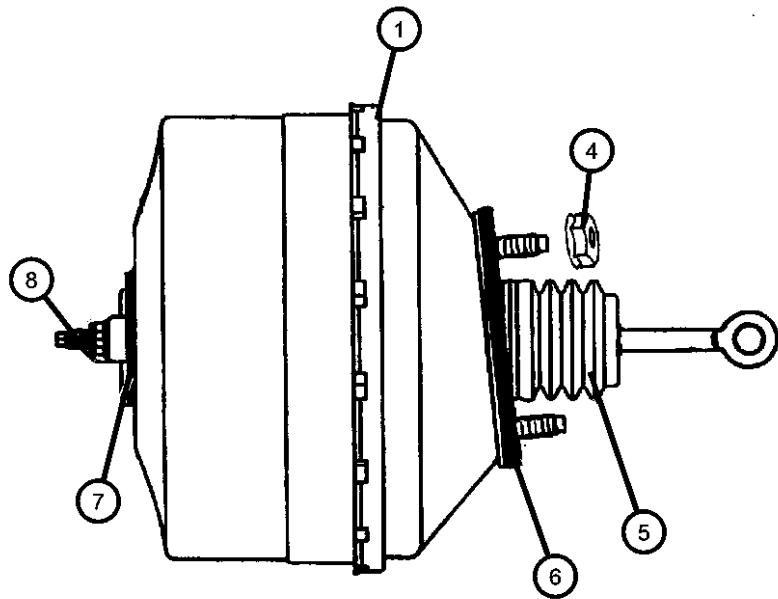
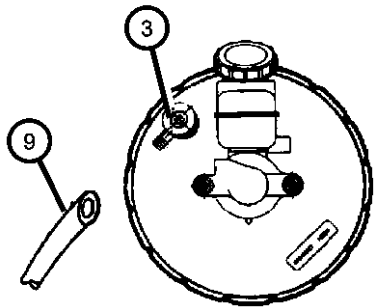
2000 SR

**Booster, Power Brake
Figure 5-310**

ITEM	PART NUMBER	QTY	LINE	SERIES	BODY	ENGINE	TRANS	TRIM	DESCRIPTION
------	-------------	-----	------	--------	------	--------	-------	------	-------------

Sales Code EWB= 8.0L V10 SFI

1	04763952AB	1							BOOSTER, Power Brake
-2	04883813AA	1							GROMMET, Brake Booster Check Valve
3	04723391	1							VALVE, Brake Booster Check
4	06101445	2							NUT AND WASHER, Hex Nut-Coned Washer, M8 x 1.25
5	04294158	1							BOOT, Brake Booster Push Rod
6	04723642	AR							SEAL, Brake Booster To Dash
7	04723395	1							GASKET, Brake Master Cylinder
8	06502524	1							NUT, Hex Lock, M8x1.25
9	04848345AB	1							HOSE, Vacuum Supply, 11/32 rough stock
-10	J4003909	2							NUT, Hex Flange With Serration, .375-16 Booster Atch



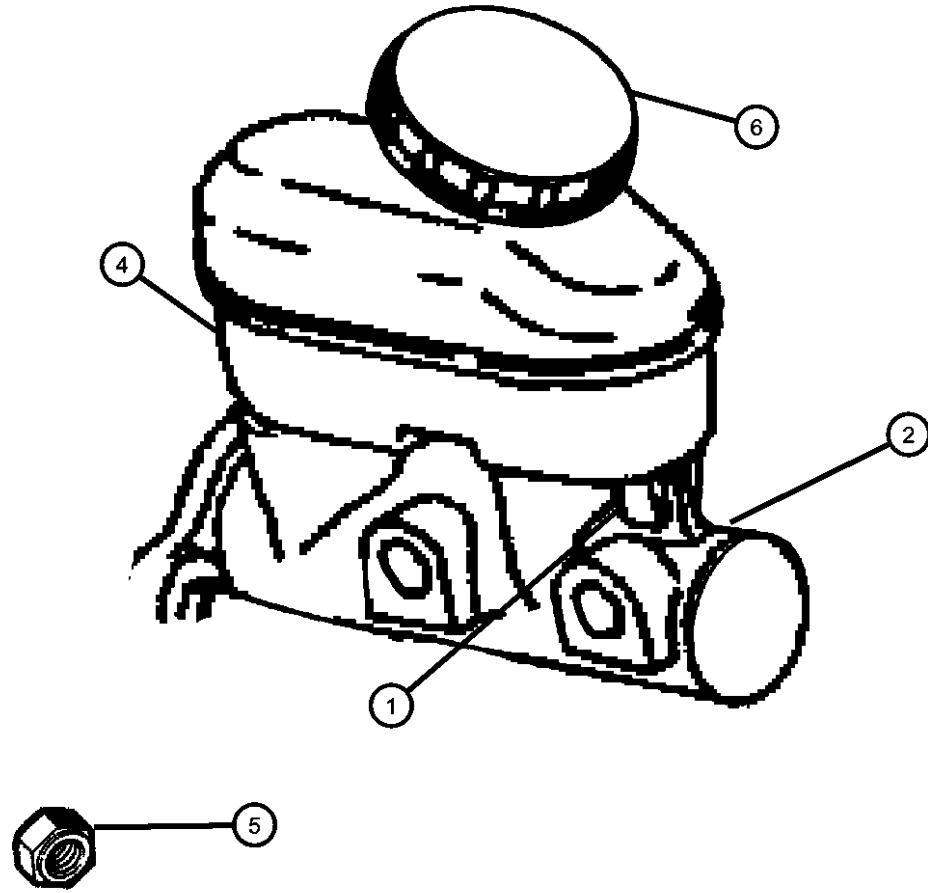
VIPER GTS COUPE,VIPER RT/10 ROADSTER (SR)

SERIES	LINE	BODY	ENGINE	TRANSMISSION
S = RT/10	D = DODGE	27 = 2-DR CONVERTIBLE	EWB = ENGINE - 8.0L V10	DEC = TRANSMISSION - 6-SPEED
S = GTS Coupe		29 = SPECIALTY COUPE	SFI	MANUAL
X = GTS/Lemans			EW0 = All 8.0L Gas	DBB = All Manual

AR = use ase required - = Non illustrated part

**Master Cylinder, Brake
Figure 5-410**

ITEM	PART NUMBER	QTY	LINE	SERIES	BODY	ENGINE	TRANS	TRIM	DESCRIPTION
1	04723394	1							PIN, Master Cylinder Reservoir
2	04642548	1							MASTER CYLINDER, Brake
-3	04723389	AR							GROMMET, Master Cylinder Reservoir
4	04723387	AR							RESERVOIR, Brake Master Cylinder
5	06502524	1							NUT, Hex Lock, M8x1.25, M/Cylinder to Booster Mount
6	04509683	1							CAP, Master Cylinder Reservoir



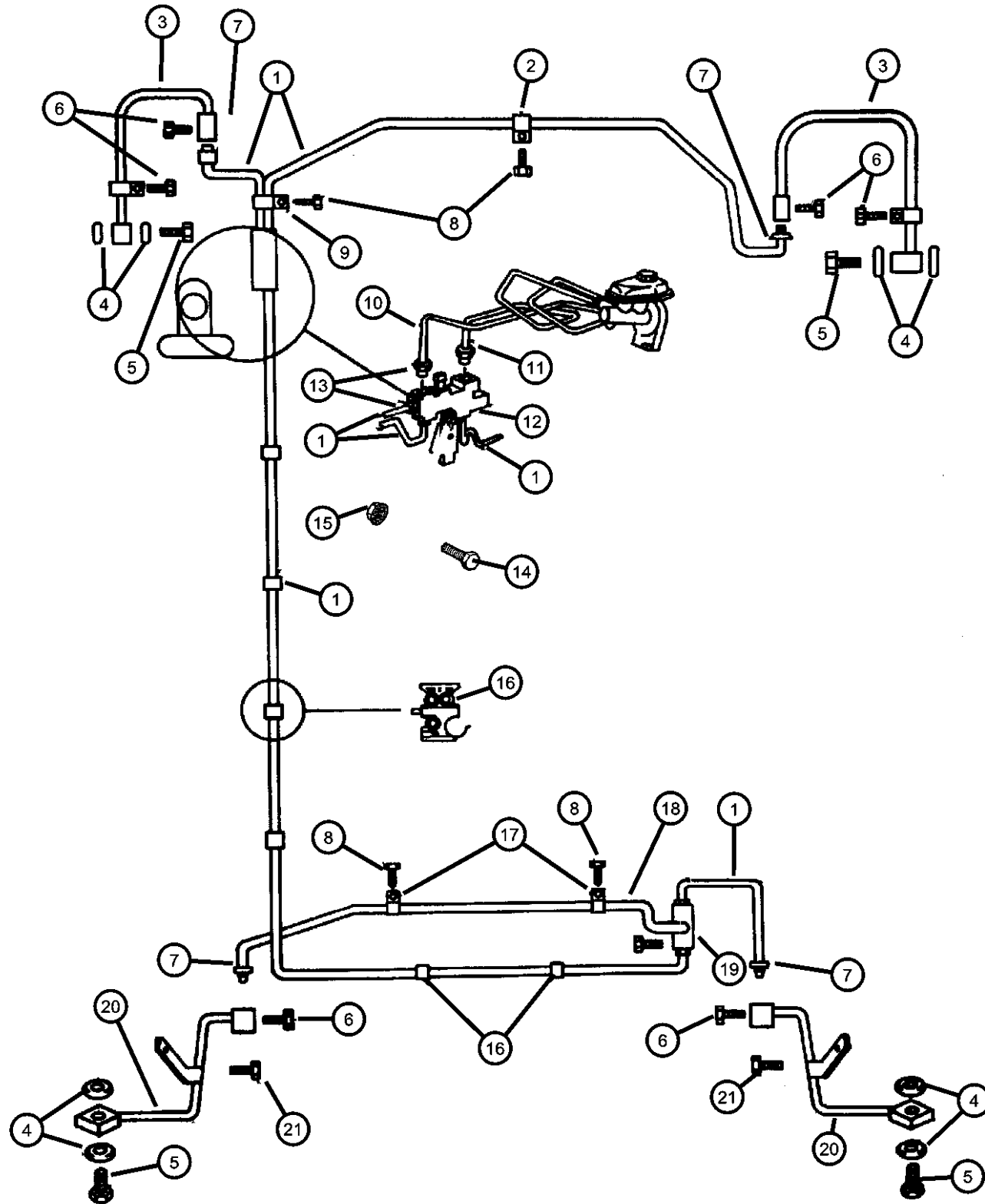
VIPER GTS COUPE,VIPER RT/10 ROADSTER (SR)

SERIES	LINE	BODY	ENGINE	TRANSMISSION
S = RT/10	D = DODGE	27 = 2-DR CONVERTIBLE	EWB = ENGINE - 8.0L V10	DEC = TRANSMISSION - 6-SPEED
S = GTS Coupe		29 = SPECIALTY COUPE	SFI	MANUAL
X = GTS/Lemans			EW0 = All 8.0L Gas	DBB = All Manual

AR = use ase required - = Non illustrated part

2000 SR

Lines And Hoses, Brake
Figure 5-510



ITEM	PART NUMBER	QTY	LINE	SERIES	BODY	ENGINE	TRANS	TRIM	DESCRIPTION
1	01843251	1							TUBE, Steel, .187 25 Foot Roll
2	02207919	1							CLIP, Parking Brake Cable
3									HOSE, Front Wheel Disc
	04763154	1							Right
	04763155	1							Left
4	06502114	8							WASHER, Brake Hose
5	06503805	4							BOLT, Hex Head, M10x1.0x21.75
6	06100575	4							BOLT AND CONED WASHER, Hex Head, M8x25x17
7	06034881	1							NUT, Inverted Flare, .375-24
8	06034881	1							SCREW, Tap and Hex Flange Hd Serrations .250-14x.875, (NOT SERVICED)
9	03404625	1							CLIP, Tube
10	04848445	1							TUBE, Brake, M/Cylinder to Combo Valve Brake M/Cylinder Front
11	04848443	1							TUBE, Brake, M/Cylinder to Combo Valve Brake M/Cylinder Rear
12	04848532AB	1							VALVE, Proportioning
13	06034862	1							NUT, Inverted Flare, .50-20x.625
14	06100151	1							BOLT, Hex Head, M8x14
15	06100047	1							NUT AND WASHER, Hex Nut-Coned Washer, M6 x 1.00, Valve Mounting Bolt
16	05264859AA	3							CLIP, Fuel Bundle
17	04683653	2							CLIP, Tube
18	01843251	1							TUBE, Steel, .187 25 Foot Roll, Brake Rear Right
19	01141472	1							TEE, Brake Tube
20									HOSE, Brake
	04642230	1							Right
	04642231	1							Left
21	06502746	2							SCREW AND WASHER, Hex Head Header Point, M10x1x14
-22									TUBE, Brake
	04763679	1							Rear Left
	04848993AA	1							Main Brake

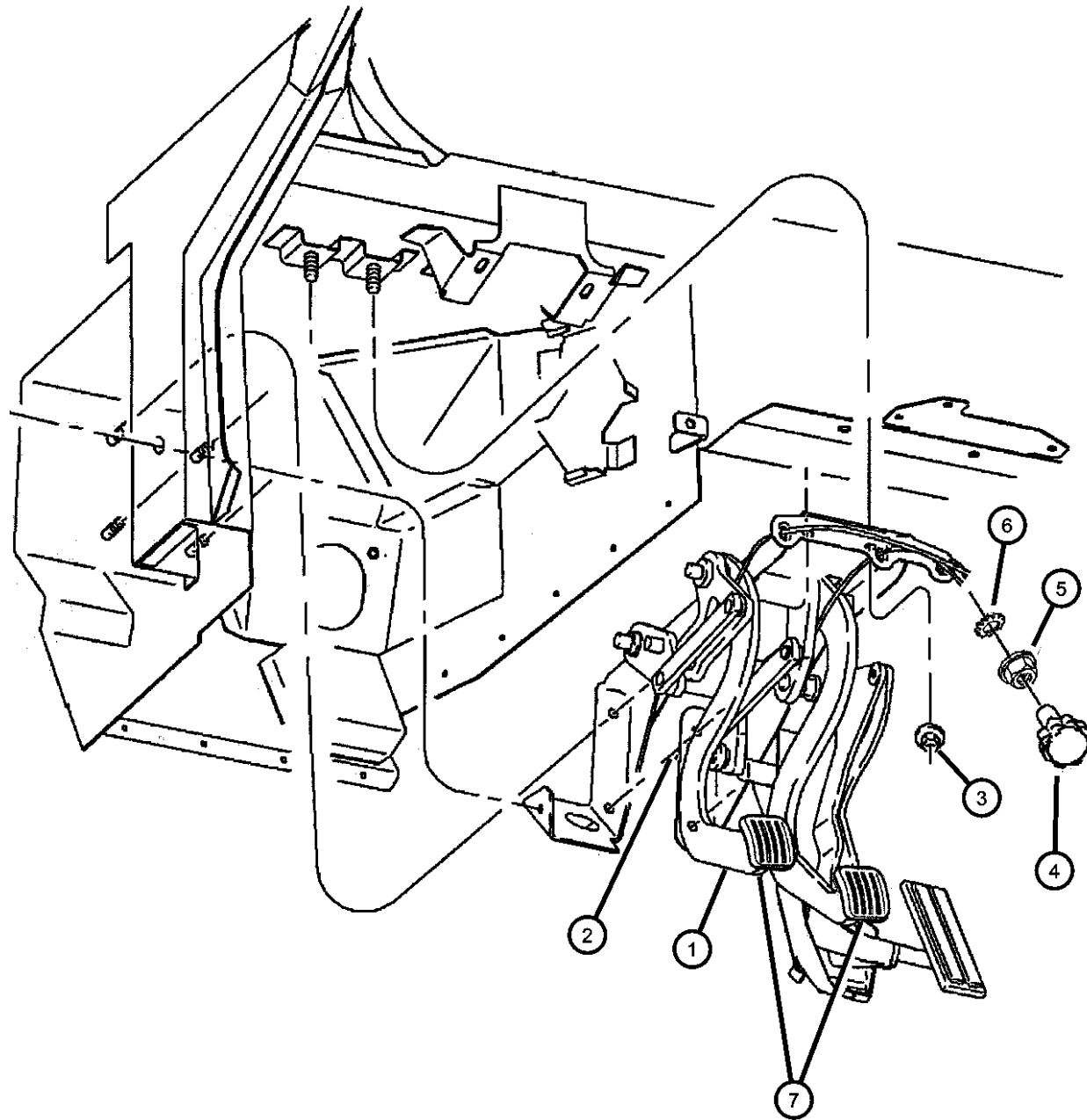
VIPER GTS COUPE,VIPER RT/10 ROADSTER (SR)

SERIES	LINE	BODY	ENGINE	TRANSMISSION
S = RT/10	D = DODGE	27 = 2-DR CONVERTIBLE	EWB = ENGINE - 8.0L V10	DEC = TRANSMISSION - 6-SPEED
S = GTS Coupe		29 = SPECIALTY COUPE	SFI	MANUAL
X = GTS/Lemans			EW0 = All 8.0L Gas	DBB = All Manual

AR = use ase required - = Non illustrated part

2000 SR

Pedal, Brake
Figure 5-610



ITEM	PART NUMBER	QTY	LINE	SERIES	BODY	ENGINE	TRANS	TRIM	DESCRIPTION
1	04763022AC	1							PEDAL, Brake, Clutch, and Accelerator
2	04294036	5							CLIP
3	06100517	2							NUT, Hex Flange Lock, M8 Phosphate
4	04897163AA	1							KNOB, BRAKE AND CLUTCH, ADJUSTING
5	06500197	2							NUT, M10x1.5, Hex Lock Feat Brake/Clutch Assy .
6	06500197	2							WASHER, Flat ID=.546 OD= 1.015 Thk= .071, (NOT SERVICED)
7	04708285	2							PAD, Brake Pedal
-8	06503998	1							NUT, U Multi Thread, M5 x .80, Brake and Clutch Assy

VIPER GTS COUPE,VIPER RT/10 ROADSTER (SR)

SERIES	LINE	BODY	ENGINE	TRANSMISSION
S = RT/10	D = DODGE	27 = 2-DR CONVERTIBLE	EWB = ENGINE - 8.0L V10	DEC = TRANSMISSION - 6-SPEED
S = GTS Coupe		29 = SPECIALTY COUPE	SFI	MANUAL
X = GTS/Lemans			EW0 = All 8.0L Gas	DBB = All Manual

AR = use ase required - = Non illustrated part

Group - 6

Clutch

Group - 6 Clutch

Illustration Title

Group-Fig. No.

Clutch

Clutch Fig. 6 - 110

Clutch Housing

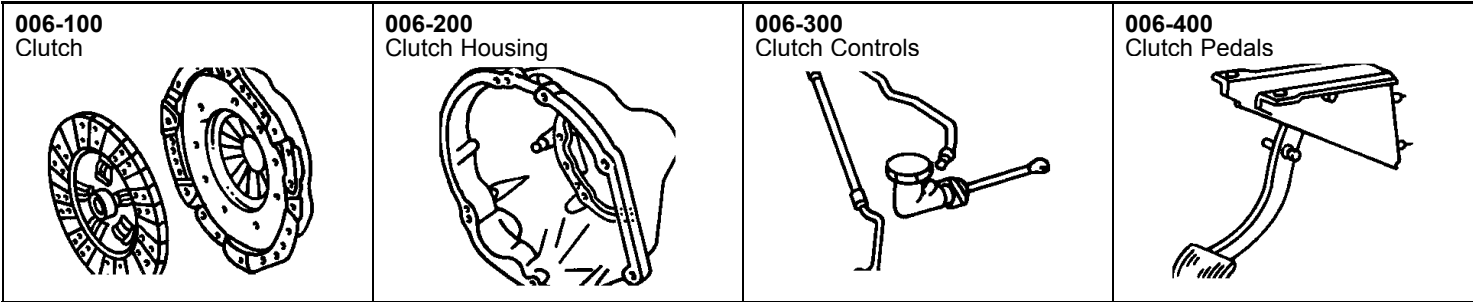
Clutch Housing Fig. 6 - 210

Clutch Controls

Clutch Actuation System..... Fig. 6 - 310

Clutch Pedals

Clutch Pedal Fig. 6 - 410

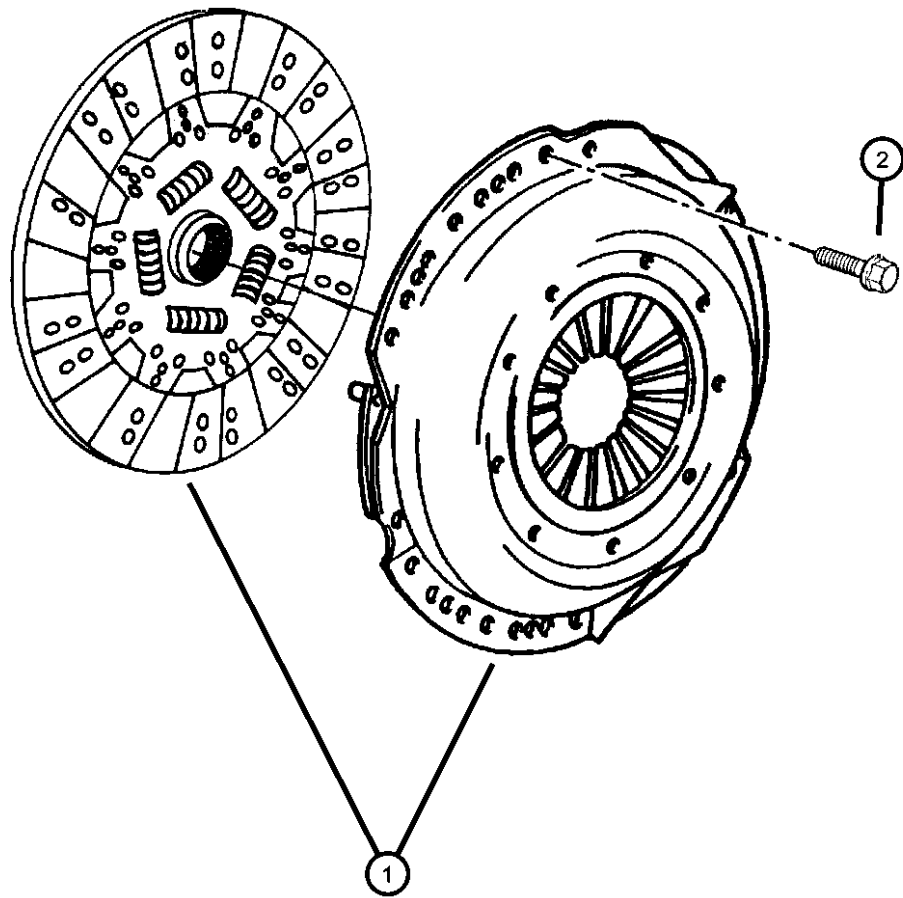


Clutch
Figure 6-110

ITEM	PART NUMBER	QTY	LINE	SERIES	BODY	ENGINE	TRANS	TRIM	DESCRIPTION
------	-------------	-----	------	--------	------	--------	-------	------	-------------

SALES CODE; EWB = 8.0L - V10

1	04848708AC	1				EWB			PLATE, Clutch Pressure
2	06034555	8				EWB			SCREW, Flange Head, .312-18x1.125



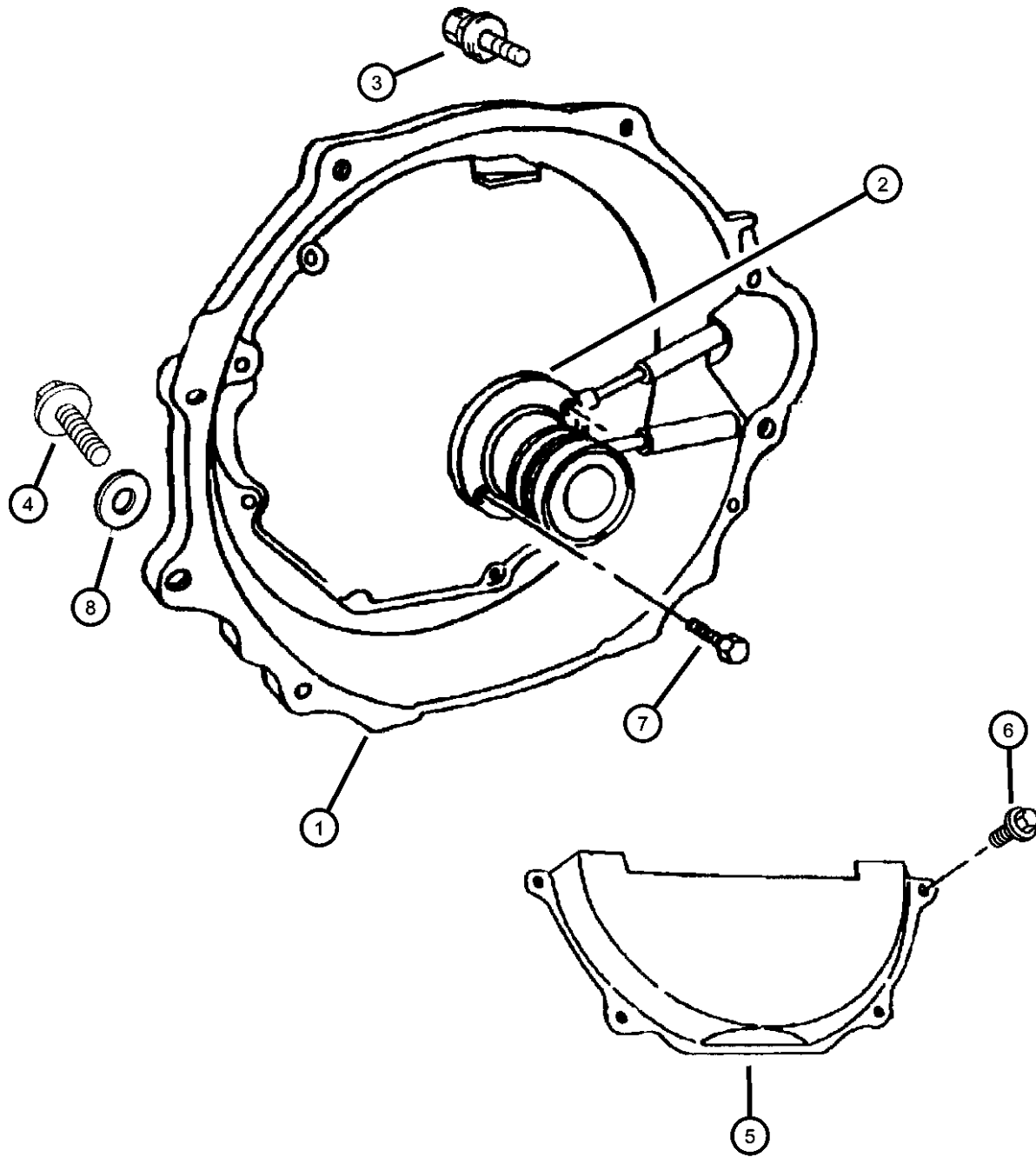
VIPER GTS COUPE,VIPER RT/10 ROADSTER (SR)

SERIES	LINE	BODY	ENGINE	TRANSMISSION
S = RT/10	D = DODGE	27 = 2-DR CONVERTIBLE	EWB = ENGINE - 8.0L V10	DEC = TRANSMISSION - 6-SPEED
S = GTS Coupe		29 = SPECIALTY COUPE	SFI	MANUAL
X = GTS/Lemans			EW0 = All 8.0L Gas	DBB = All Manual

AR = use ase required - = Non illustrated part

2000 SR

Clutch Housing
Figure 6-210



ITEM	PART NUMBER	QTY	LINE	SERIES	BODY	ENGINE	TRANS	TRIM	DESCRIPTION
------	-------------	-----	------	--------	------	--------	-------	------	-------------

Note:

DEC = 6 Speed Manual Transmission

1	04626594	1					DEC		HOUSING, Clutch
2	04642581	1							BEARING, Clutch Release
3	00181148	2							SCREW, Hex Head, .437-14x2.75
4	00153371	4							BOLT, Hex Head, .375-16x2.25
5	05245010	1							COVER, Transmission Dust
6	06023092	4							SCREW AND WASHER, Hex Head, .25-20x.50
7	06100296	2							BOLT, Hex Head
8	09417838	2							WASHER, Flat

VIPER GTS COUPE,VIPER RT/10 ROADSTER (SR)

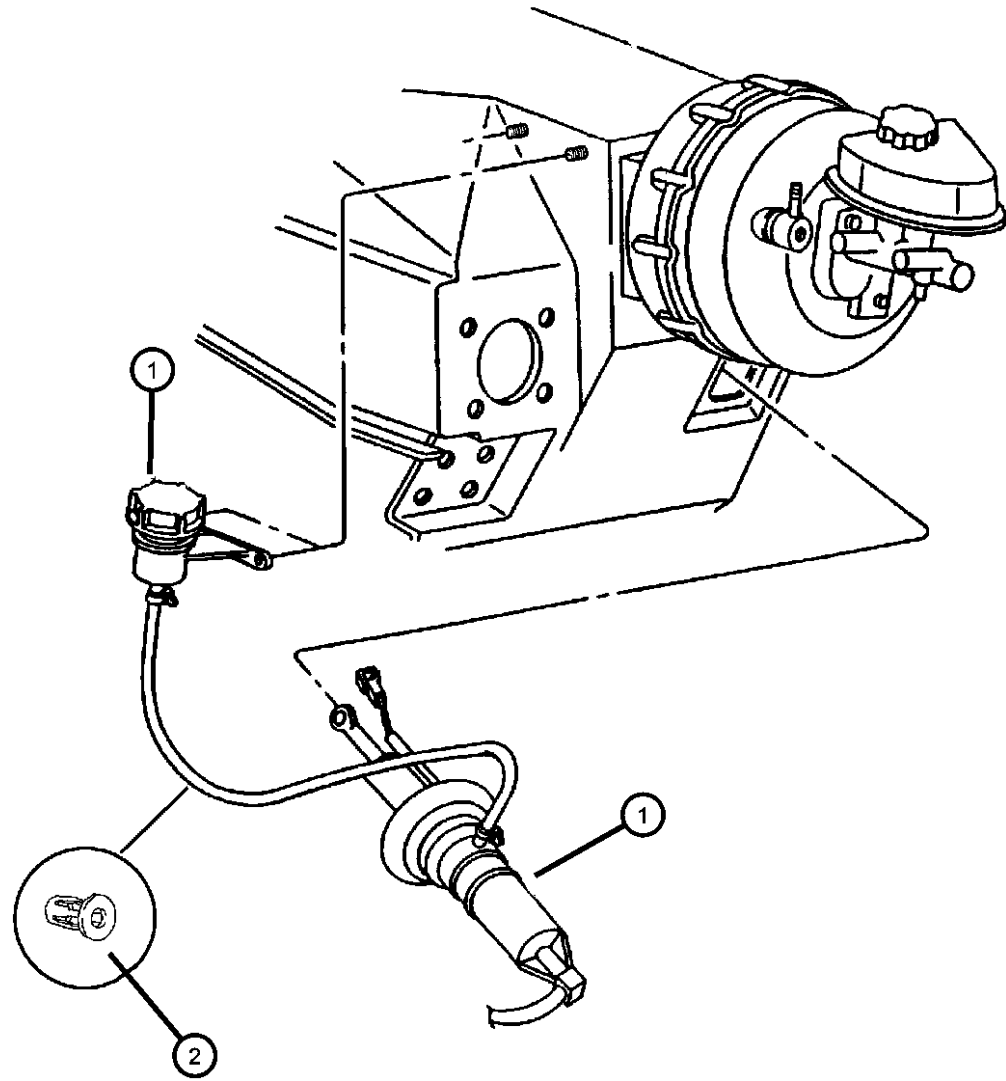
SERIES	LINE	BODY	ENGINE	TRANSMISSION
S = RT/10	D = DODGE	27 = 2-DR CONVERTIBLE	EWB = ENGINE - 8.0L V10	DEC = TRANSMISSION - 6-SPEED
S = GTS Coupe		29 = SPECIALTY COUPE	SFI	MANUAL
X = GTS/Lemans			EW0 = All 8.0L Gas	DBB = All Manual

AR = use ase required - = Non illustrated part

2000 SR

**Clutch Actuation System
Figure 6-310**

ITEM	PART NUMBER	QTY	LINE	SERIES	BODY	ENGINE	TRANS	TRIM	DESCRIPTION
1	04642666AB	1							ACTUATOR, Hydraulic Clutch
2	04446361	3							BUSHING, Hydraulic Clutch Actuator



VIPER GTS COUPE,VIPER RT/10 ROADSTER (SR)

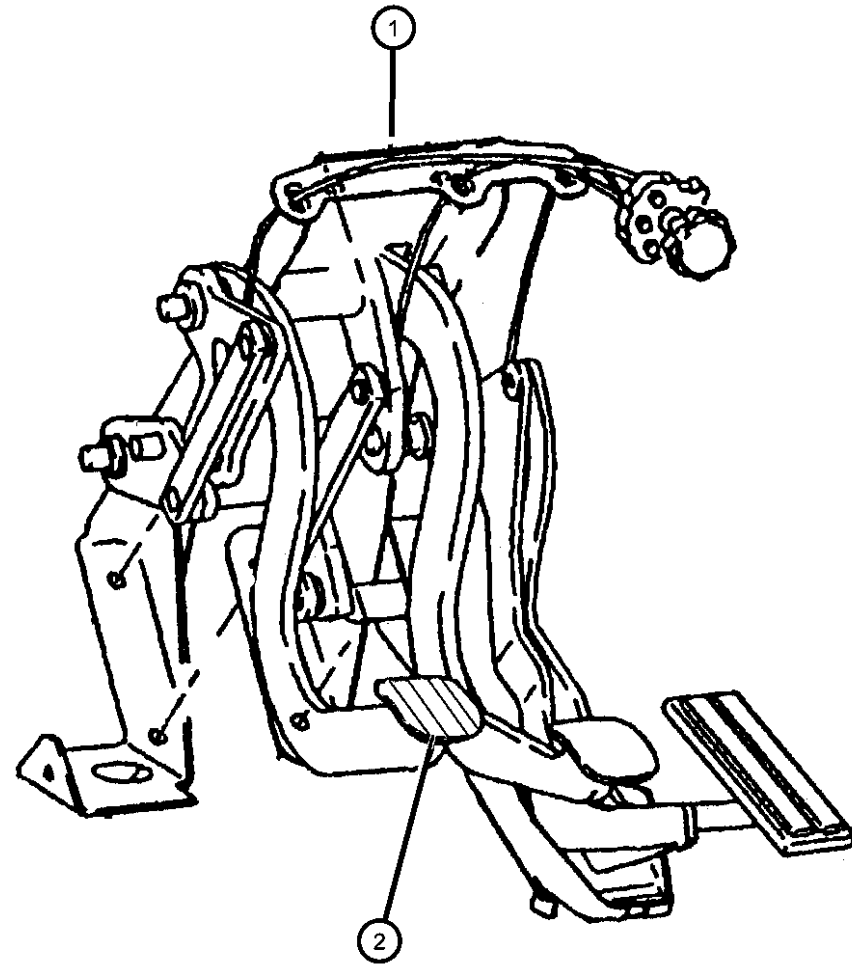
SERIES	LINE	BODY	ENGINE	TRANSMISSION
S = RT/10	D = DODGE	27 = 2-DR CONVERTIBLE	EWB = ENGINE - 8.0L V10	DEC = TRANSMISSION - 6-SPEED
S = GTS Coupe		29 = SPECIALTY COUPE	SFI	MANUAL
X = GTS/Lemans			EW0 = All 8.0L Gas	DBB = All Manual

AR = use ase required - = Non illustrated part

2000 SR

Clutch Pedal
Figure 6-410

ITEM	PART NUMBER	QTY	LINE	SERIES	BODY	ENGINE	TRANS	TRIM	DESCRIPTION
1	04763022AC	1							PEDAL, Brake, Clutch, and Accelerator
2	04708285	2							PAD, Brake Pedal



VIPER GTS COUPE,VIPER RT/10 ROADSTER (SR)

SERIES	LINE	BODY	ENGINE	TRANSMISSION
S = RT/10	D = DODGE	27 = 2-DR CONVERTIBLE	EWB = ENGINE - 8.0L V10	DEC = TRANSMISSION - 6-SPEED
S = GTS Coupe		29 = SPECIALTY COUPE	SFI	MANUAL
X = GTS/Lemans			EW0 = All 8.0L Gas	DBB = All Manual

AR = use ase required - = Non illustrated part

2000 SR

Group - 7

Cooling

Group - 7 Cooling

Illustration Title

Group-Fig. No.

Radiator and Related Parts

Radiator And Related Parts Fig. 7 - 110
 Radiator Air Baffles Fig. 7 - 120

Water Pump and Related Parts

Water Pump And Related Parts Fig. 7 - 210

Tank, Coolant Engine

Coolant Reserve And Pressurized Coolant Tank Fig. 7 - 310

Pulleys and Related Parts

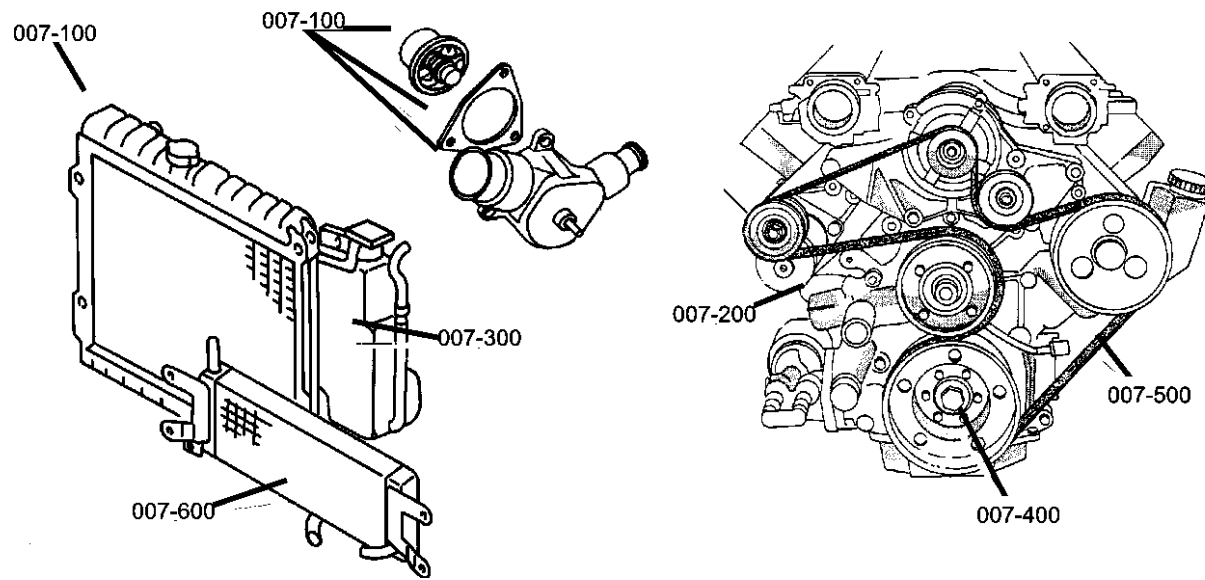
Pulleys, Drive Fig. 7 - 410

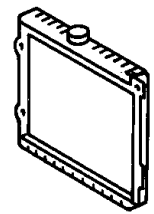
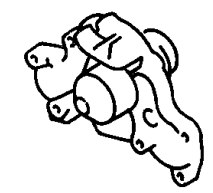
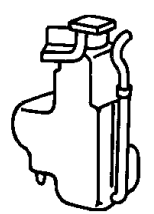

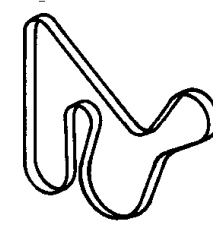
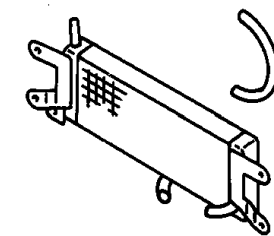
Drive Belts

Belts, Drive Fig. 7 - 510

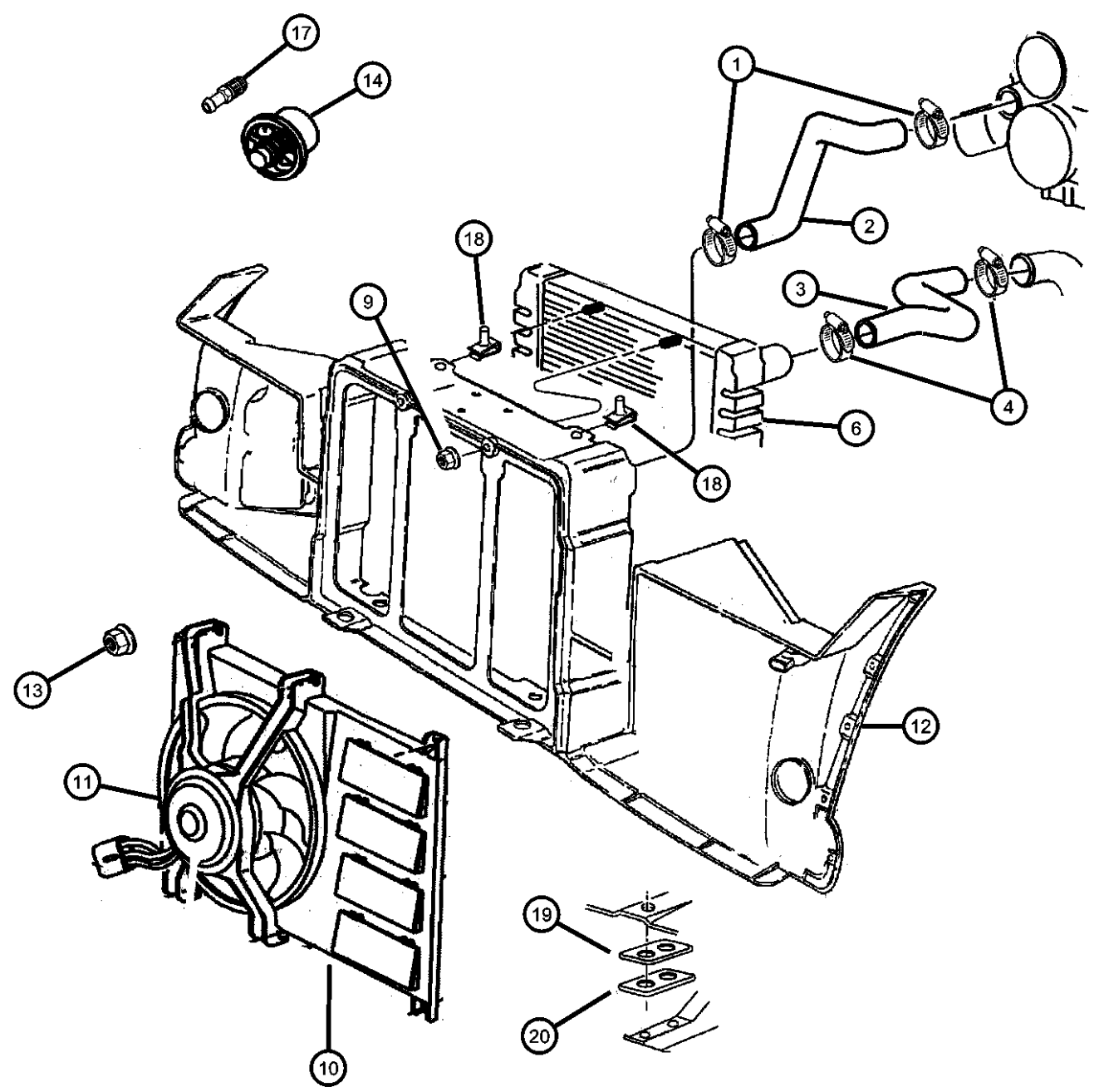
Lines, Transmission Oil Cooler

Oil Cooler And Lines Fig. 7 - 610



<p>007-100 Radiator and Related Parts</p> 	<p>007-200 Water Pump and Related Parts</p> 	<p>007-300 Tank, Coolant Engine</p> 	<p>007-400 Pulleys and Related Parts</p> 
<p>007-500 Drive Belts</p> 	<p>007-600 Lines, Transmission Oil Cooler</p> 		

**Radiator And Related Parts
Figure 7-110**



ITEM	PART NUMBER	QTY	LINE	SERIES	BODY	ENGINE	TRANS	TRIM	DESCRIPTION
NOTE: Sales Codes: [EWB] = 8.0L V10 SFI									
1	32002366	2							CLAMP, Hose, 55mm Black, Rad to Rad Hose Inlet
2	04763584	1							HOSE, Radiator Outlet, Outlet to Water Pump
3	04763585	1							HOSE, Radiator Inlet, Thermostat to Inlet
4	52006750	2							CLAMP, Radiator
-5									BRACKET, Bulkhead
	04709356	1							Right
	04709357	1							Left
6	04855123AB 04267020AB	1							RADIATOR, Engine Cooling Mopar Coolant 3 Year Formula 1 Gallon
-7	04266328	2							ISOLATOR, Radiator
-8	04596198	1							CAP, Pressurized Coolant, Radiator
9	06101444	4							NUT AND WASHER, Hex, M6x1.0, Radiator to Closure Att
10	06101444	4							SHIELD, Splash, Serviced in Fan Module, (NOT SERVICED)
11	04854720AA	1							FAN MODULE, Radiator Cooling
12	04709352AC	1							SHROUD, Fan, Includes Support Radiator Closure
13	06101444	4							NUT AND WASHER, Hex, M6x1.0, Radiator Fan Assy
14	53041078	1				EWB			THERMOSTAT, 195 Degrees
-15	04763839AB	1				EWB			GASKET, Thermostat
-16	04763779AE	1				EWB			HOUSING, Thermostat
17	55035944	2				EWB			NIPPLE, Heater Inlet
18	04848199	2							RETAINER, Radiator Closure, Radiator Closure
19	04763564	AR							SHIM
20	04763565	AR							SHIM
-21									LABEL, Emission
	04848862AD	1							EXPORT
	04855100AD	1							
	04855105AD	1							CANADA

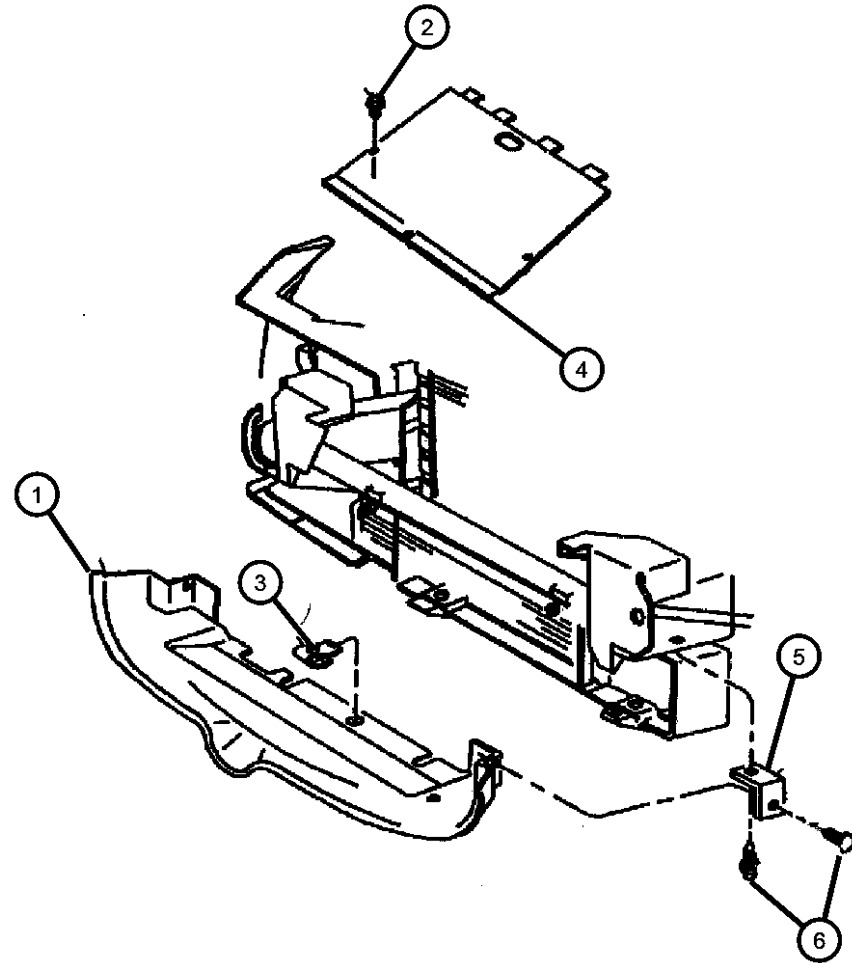
VIPER GTS COUPE, VIPER RT/10 ROADSTER (SR)

SERIES	LINE	BODY	ENGINE	TRANSMISSION
S = RT/10	D = DODGE	27 = 2-DR CONVERTIBLE	EWB = ENGINE - 8.0L V10 SFI	DEC = TRANSMISSION - 6-SPEED MANUAL
S = GTS Coupe		29 = SPECIALTY COUPE	EW0 = All 8.0L Gas	DBB = All Manual
X = GTS/Lemans				

AR = use ase required - = Non illustrated part

Radiator Air Baffles
Figure 7-120

ITEM	PART NUMBER	QTY	LINE	SERIES	BODY	ENGINE	TRANS	TRIM	DESCRIPTION
1	04848737	1							BAFFLE, Radiator
2	06100545	4							SCREW AND WASHER, Hex Head, M5x.8x25
3	06029074	1							U-NUT, .25-20
4	04848763	1							COVER, Baffle Air Upper
5	04848198	2							BRACKET, Radiator, Radiator
6	06501067	4							PIN, Push, M6.3x20.5, Baffle Att.



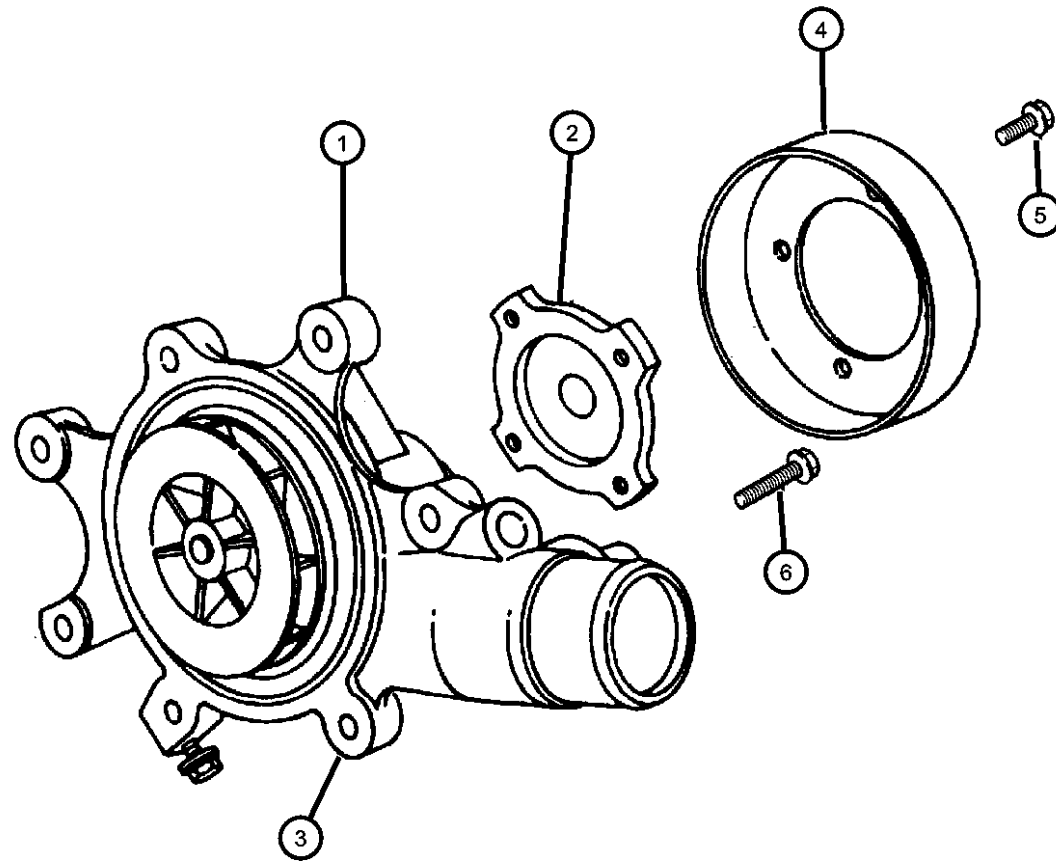
VIPER GTS COUPE,VIPER RT/10 ROADSTER (SR)

SERIES	LINE	BODY	ENGINE	TRANSMISSION
S = RT/10	D = DODGE	27 = 2-DR CONVERTIBLE	EWB = ENGINE - 8.0L V10	DEC = TRANSMISSION - 6-SPEED
S = GTS Coupe		29 = SPECIALTY COUPE	SFI	MANUAL
X = GTS/Lemans			EW0 = All 8.0L Gas	DBB = All Manual

AR = use ase required - = Non illustrated part

2000 SR

**Water Pump And Related Parts
Figure 7-210**



ITEM	PART NUMBER	QTY	LINE	SERIES	BODY	ENGINE	TRANS	TRIM	DESCRIPTION
NOTE: Sales Codes: [EWB] = 8.0L V10 SFI									
1	04763776AB	1				EWB			PUMP, Water
2	04763776AB	1							HUB, Water Pump Pulley, (NOT SERVICED)
3	04763790AB	1				EWB			GASKET, Water Pump
4	53010221	1				EWB			PULLEY, Water Pump, Water Pump Pulley Mounting
5	06034530	4				EWB			SCREW, Hex Head, .312-18x.75, Water Pump Mounting
6	06035558	9				EWB			SCREW, Hex Flange Head, .375-16x1.50

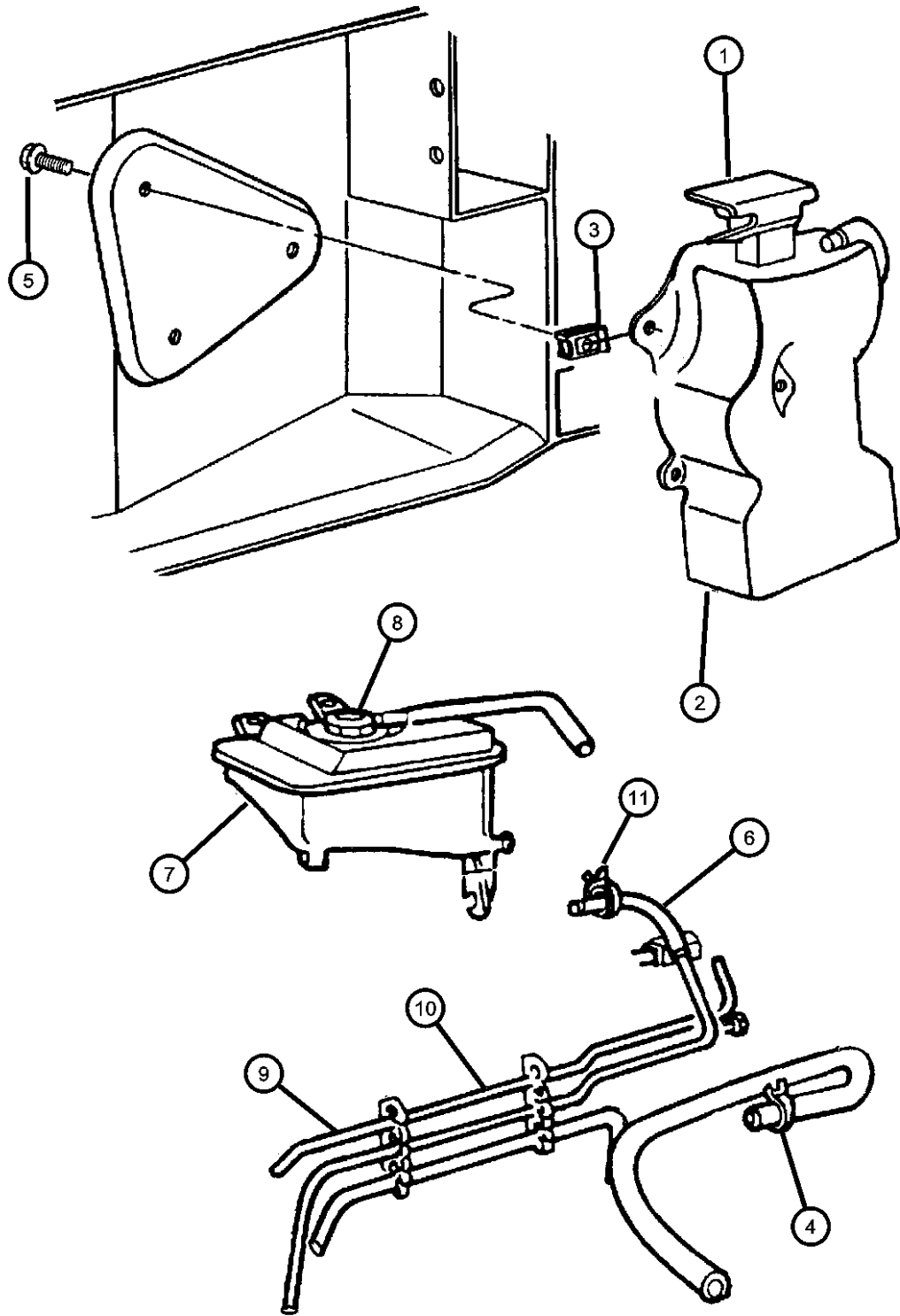
VIPER GTS COUPE,VIPER RT/10 ROADSTER (SR)

SERIES	LINE	BODY	ENGINE	TRANSMISSION
S = RT/10	D = DODGE	27 = 2-DR CONVERTIBLE	EWB = ENGINE - 8.0L V10	DEC = TRANSMISSION - 6-SPEED
S = GTS Coupe		29 = SPECIALTY COUPE	SFI	MANUAL
X = GTS/Lemans			EW0 = All 8.0L Gas	DBB = All Manual

AR = use ase required - = Non illustrated part

2000 SR

**Coolant Reserve And Pressurized Coolant Tank
Figure 7-310**



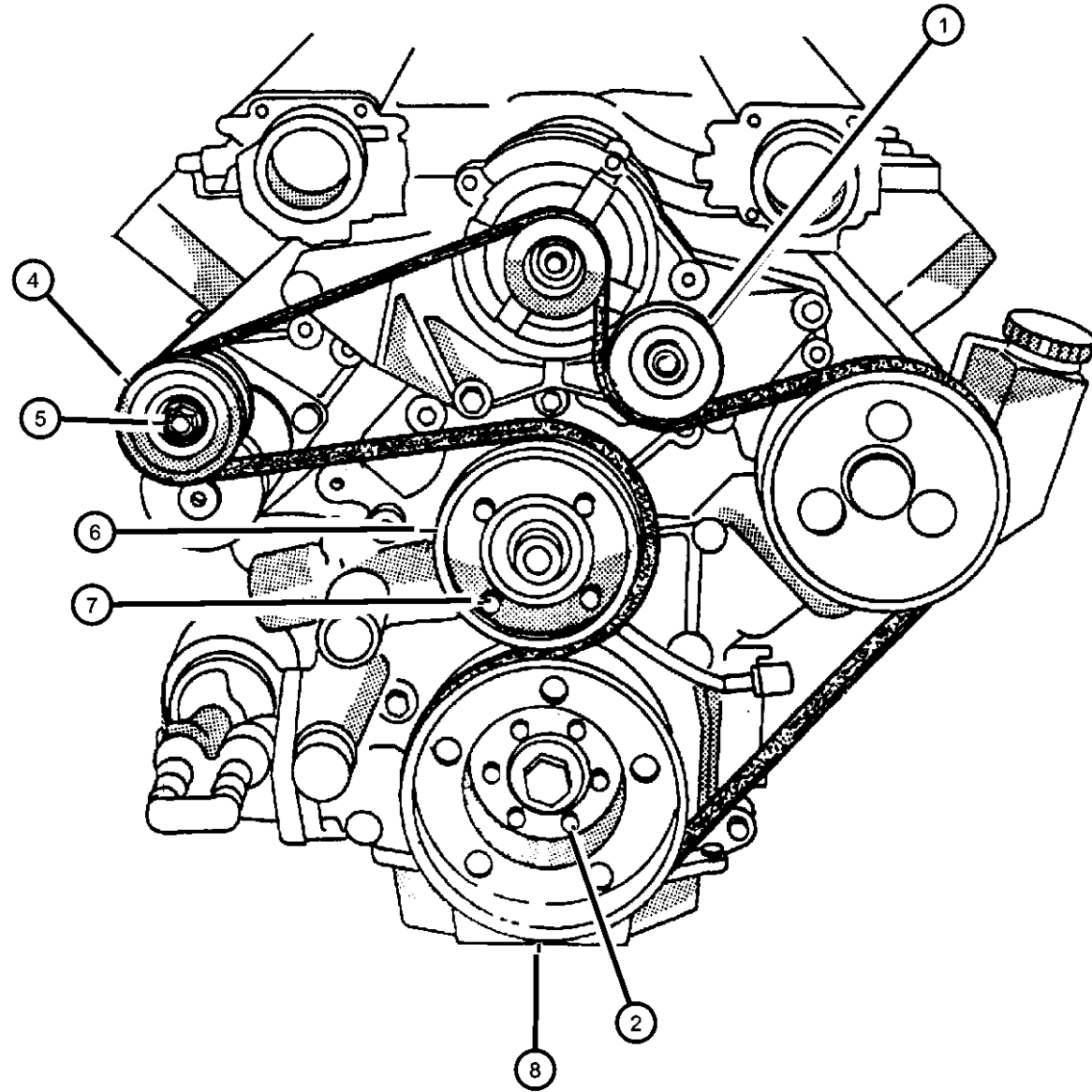
ITEM	PART NUMBER	QTY	LINE	SERIES	BODY	ENGINE	TRANS	TRIM	DESCRIPTION
NOTE: Sales Codes: [EWB] = 8.0L V10 SFI									
1	04682828	1							CAP, Coolant Reserve Tank
2	52027784	1							TANK, Coolant Reserve
3	52027784	1							U-NUT, (NOT SERVICED)
4	06502018	2							CLAMP, Hose, M28.9 x 1.60, Cool Ret Hose/Pres Btle
5	06502018	2							SCREW, (NOT SERVICED)
6									HOSE, Coolant Reserve Tank
	04763584	1							Radiator Outlet to Water Pump
	04763585	1							Coolant Engine to T/Stat to Inlet
	04763877	1				EWB			High Pressure C/Bottle to Water Pump
	05245038	1							High Pressure Coolant
7	04709389	1							BOTTLE, Pressurized Coolant
8	04596198	1							CAP, Pressurized Coolant, Tank
9	05245039	1							TUBE, Coolant Reserve Tank, Low Pressure Coolant
10	04709381	2							CLIP, Hose
11	04592126	2							CLAMP, Hose

VIPER GTS COUPE,VIPER RT/10 ROADSTER (SR)

SERIES	LINE	BODY	ENGINE	TRANSMISSION
S = RT/10	D = DODGE	27 = 2-DR CONVERTIBLE	EWB = ENGINE - 8.0L V10	DEC = TRANSMISSION - 6-SPEED
S = GTS Coupe		29 = SPECIALTY COUPE	SFI	MANUAL
X = GTS/Lemans			EW0 = All 8.0L Gas	DBB = All Manual

AR = use ase required - = Non illustrated part

Pulleys, Drive
Figure 7-410



ITEM	PART NUMBER	QTY	LINE	SERIES	BODY	ENGINE	TRANS	TRIM	DESCRIPTION
------	-------------	-----	------	--------	------	--------	-------	------	-------------

NOTE: Sales Codes:
[EWB] = 8.0L V10 SFI

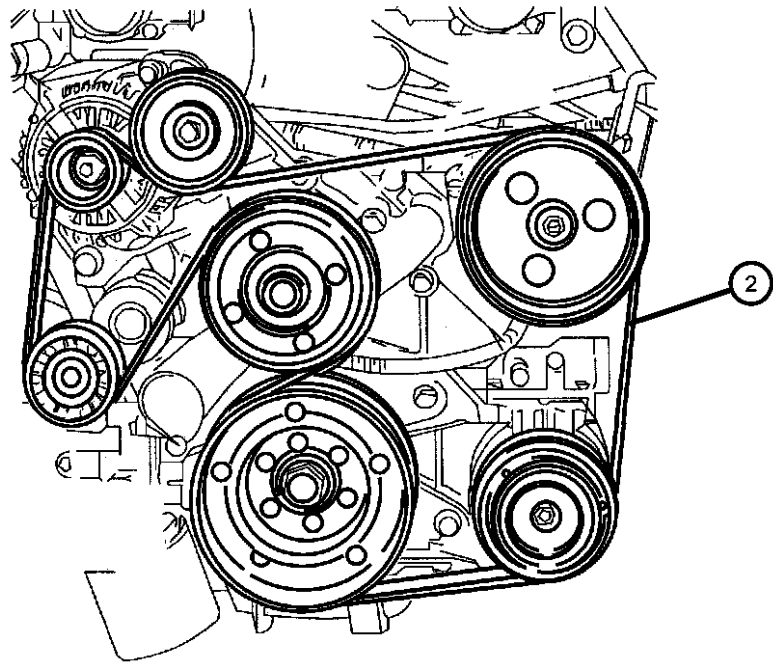
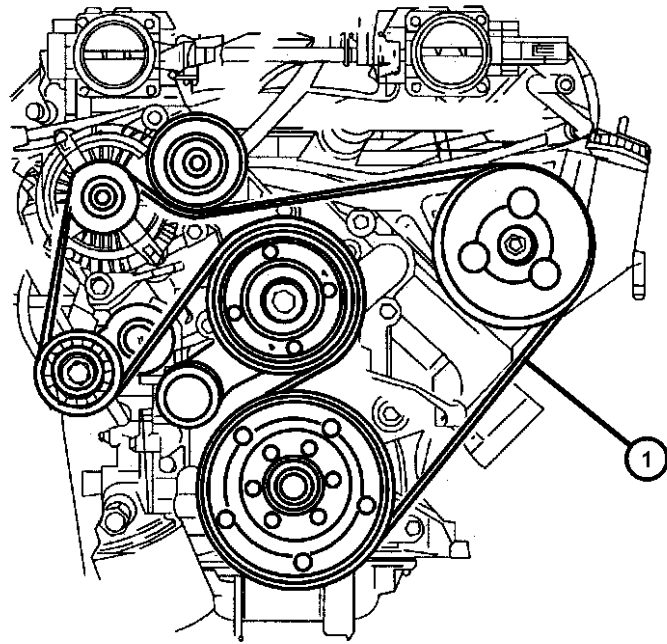
1	53009508	1				EWB			PULLEY, Idler
2	53010222	1				EWB			PULLEY, Crankshaft
-3	33002201	1				EWB			BUSHING, Idler Pulley
4	04626444AB	AR				EWB			TENSIONER PACKAGE, Belt
5	06502135	1				EWB			NUT, Hex Flange, M10x1.5, Belt Tensioner
6	53010221	1				EWB			PULLEY, Water Pump
7	53010221	1							SCREW, Hex Head, .312-18x.75, (NOT SERVICED)
8	04763863AB	1				EWB			BELT, Accessory Drive, Accessory Drive Non A/C
-9									LABEL, Emission, A/C Spec. & Belt Rtg.
	04848862AD	1							EXPORT
	04855100AD	1							
	04855105AD	1							CANADA

VIPER GTS COUPE,VIPER RT/10 ROADSTER (SR)

SERIES	LINE	BODY	ENGINE	TRANSMISSION
S = RT/10	D = DODGE	27 = 2-DR CONVERTIBLE	EWB = ENGINE - 8.0L V10	DEC = TRANSMISSION - 6-SPEED
S = GTS Coupe		29 = SPECIALTY COUPE	SFI	MANUAL
X = GTS/Lemans			EW0 = All 8.0L Gas	DBB = All Manual

AR = use ase required - = Non illustrated part

**Belts, Drive
Figure 7-510**



ITEM	PART NUMBER	QTY	LINE	SERIES	BODY	ENGINE	TRANS	TRIM	DESCRIPTION
------	-------------	-----	------	--------	------	--------	-------	------	-------------

NOTE: Sales Codes:
[EWB] = 8.0L V10 SFI

1	04763863AB	1				EWB			BELT, Accessory Drive, Without Air Conditioning
2	04763795AB	1				EWB			BELT, A/C Air Conditioning

VIPER GTS COUPE, VIPER RT/10 ROADSTER (SR)

SERIES	LINE	BODY	ENGINE	TRANSMISSION
S = RT/10	D = DODGE	27 = 2-DR CONVERTIBLE	EWB = ENGINE - 8.0L V10 SFI	DEC = TRANSMISSION - 6-SPEED MANUAL
S = GTS Coupe		29 = SPECIALTY COUPE	EW0 = All 8.0L Gas	DBB = All Manual
X = GTS/Lemans				

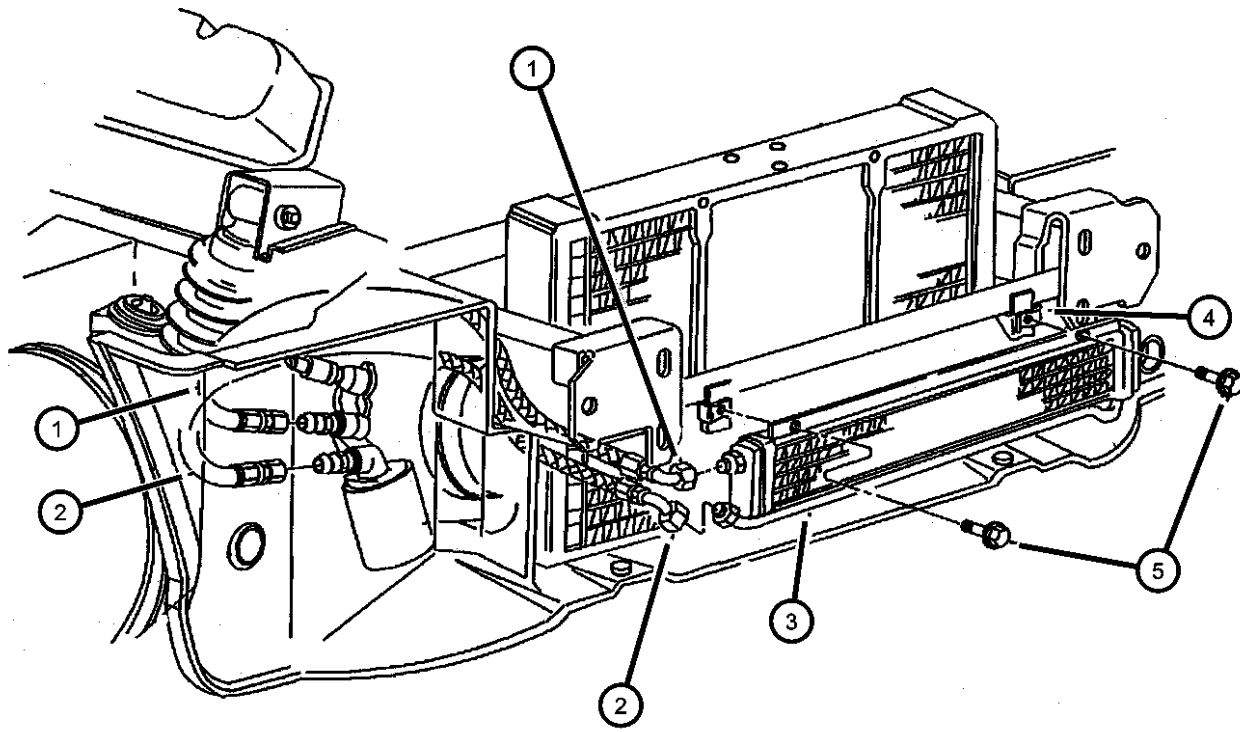
AR = use ase required - = Non illustrated part

Oil Cooler And Lines
Figure 7-610

ITEM	PART NUMBER	QTY	LINE	SERIES	BODY	ENGINE	TRANS	TRIM	DESCRIPTION
------	-------------	-----	------	--------	------	--------	-------	------	-------------

NOTE: Sales Codes:
[EWB] = 8.0L V10 SFI

1	04848310	1							LINE, Oil Cooler Inlet
2	04848300	1							LINE, Oil Cooler Outlet
3	04643826AC	1							COOLER, Engine Oil
4	06034530	4				EWB			SCREW, Hex Head, .312-18x.75
5	06100296	2							BOLT, Hex Head



VIPER GTS COUPE,VIPER RT/10 ROADSTER (SR)

SERIES	LINE	BODY	ENGINE	TRANSMISSION
S = RT/10	D = DODGE	27 = 2-DR CONVERTIBLE	EWB = ENGINE - 8.0L V10	DEC = TRANSMISSION - 6-SPEED
S = GTS Coupe		29 = SPECIALTY COUPE	SFI	MANUAL
X = GTS/Lemans			EW0 = All 8.0L Gas	DBB = All Manual

AR = use ase required - = Non illustrated part

2000 SR

Group - 8

Electrical

Group - 8 Electrical

Illustration Title

Group-Fig. No.

Starters

Starter Fig. 8 - 105

Alternators

Alternators Fig. 8 - 205

Modules

Modules Fig. 8 - 405

Relays

Relays, Fuses, Circuit Breakers Fig. 8 - 505

Sensors

Sensors Fig. 8 - 605

Single Board Engine Controllers

Single Board Controllers Fig. 8 - 705

Switches

Switches and Sending Units Fig. 8 - 805

Horns

Horns Fig. 8 - 905

Battery Tray and Cables

Battery Tray and Cables Fig. 8 - 1005

Lamps - Front, Rear and Courtesy

Lamps and Wiring - Front Fig. 8 - 1105

Lamps and Wiring - Rear Fig. 8 - 1110

Wiring-Engine & Related Parts

Wiring - Engine and Related Parts Fig. 8 - 1205

Wiring-Headlamp to Dash

Wiring - Headlamp to Dash Fig. 8 - 1305

Wiring-Instrument Panel

Wiring - Instrument Panel Fig. 8 - 1405

Wiring-Body & Accessories

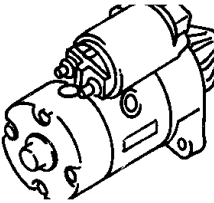
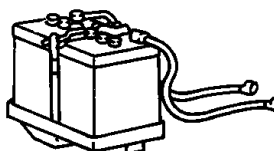
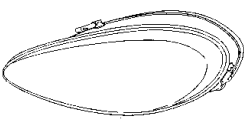
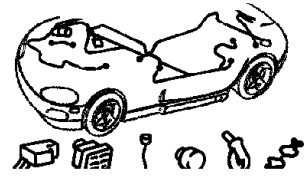
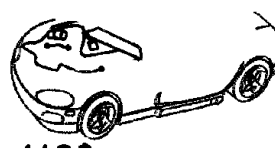
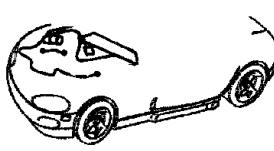
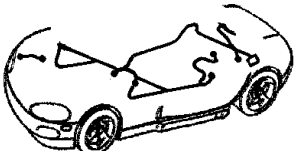
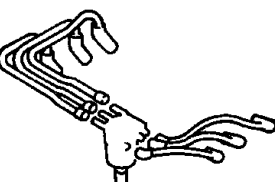
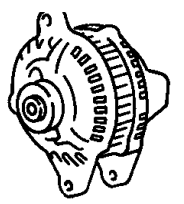
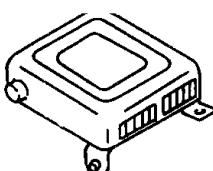
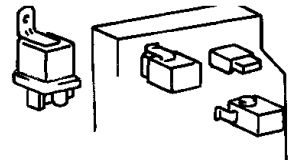
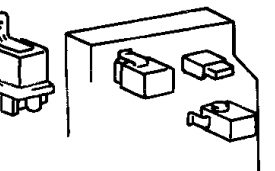
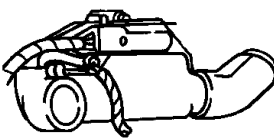
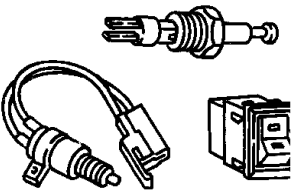
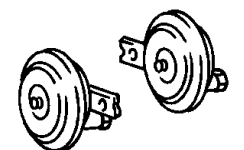
Wiring - Body and Accessories Fig. 8 - 1505

Wiring Repair

Connector Repair Package Fig. 8 - 1610

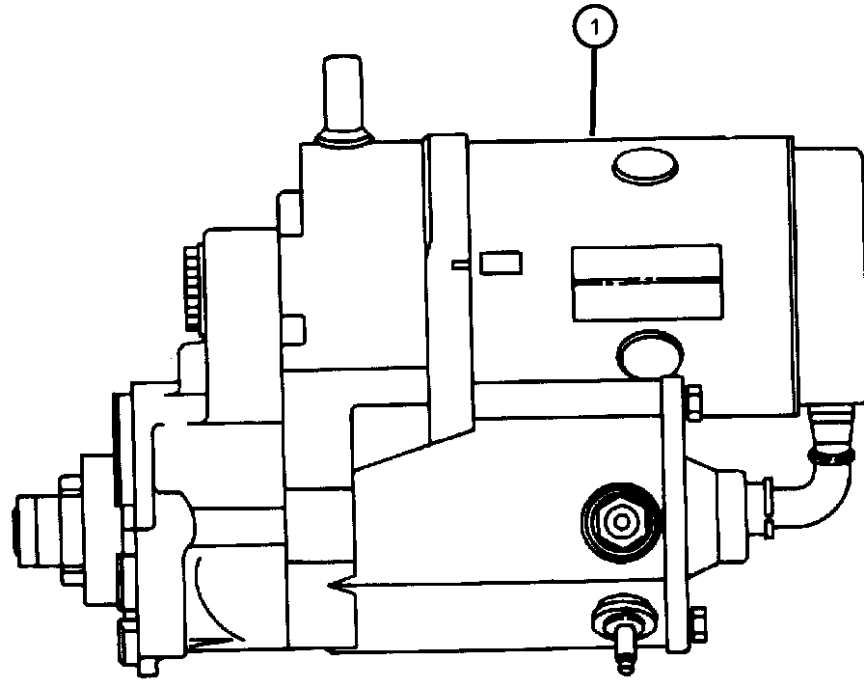
Spark Plugs-Cables-Coils

Spark Plugs - Cables - Coil Fig. 8 - 1905

<p>008-100 Starters</p> 	<p>008-1000 Battery Tray and Cables</p> 	<p>008-1100 Lamps - Front, Rear and Courtesy</p> 	<p>008-1200 Wiring-Engine & Related Parts</p> 
<p>008-1300 Wiring-Headlamp to Dash</p> 	<p>008-1400 Wiring-Instrument Panel</p> 	<p>008-1500 Wiring-Body & Accessories</p> 	<p>008-1600 Wiring Repair</p> <p>WIRING REPAIR PKG.</p>
<p>008-1900 Spark Plugs-Cables-Coils</p> 	<p>008-200 Alternators</p> 	<p>008-400 Modules</p> 	<p>008-500 Relays</p> 
<p>008-600 Sensors</p> 	<p>008-700 Single Board Engine Controllers</p> 	<p>008-800 Switches</p> 	<p>008-900 Horns</p> 

**Starter
Figure 8-105**

ITEM	PART NUMBER	QTY	LINE	SERIES	BODY	ENGINE	TRANS	TRIM	DESCRIPTION
1	04763794	1				EWB			STARTER
-2	06035558	2				EWB			SCREW, Hex Flange Head, .375-16x1.50, Starter Attaching



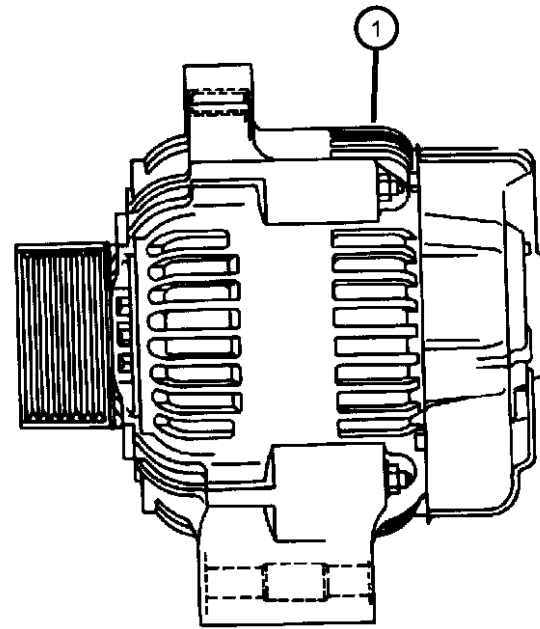
VIPER GTS COUPE,VIPER RT/10 ROADSTER (SR)

SERIES	LINE	BODY	ENGINE	TRANSMISSION
S = RT/10	D = DODGE	27 = 2-DR CONVERTIBLE	EWB = ENGINE - 8.0L V10	DEC = TRANSMISSION - 6-SPEED
S = GTS Coupe		29 = SPECIALTY COUPE	SFI	MANUAL
X = GTS/Lemans			EW0 = All 8.0L Gas	DBB = All Manual

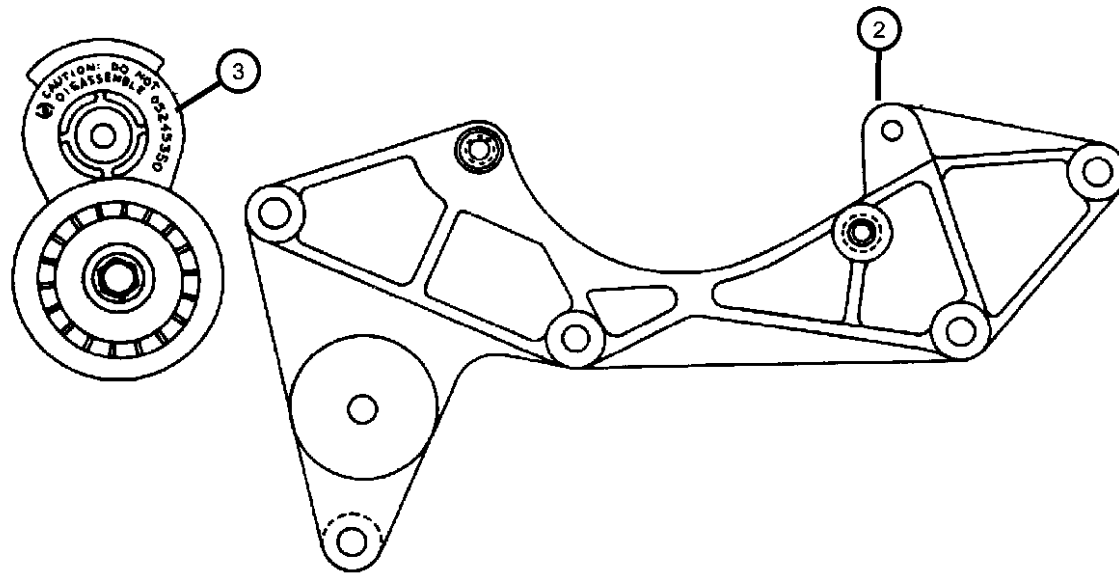
AR = use ase required - = Non illustrated part

2000 SR

Alternators
Figure 8-205



ITEM	PART NUMBER	QTY	LINE	SERIES	BODY	ENGINE	TRANS	TRIM	DESCRIPTION
EWB= 8.0L V10 SFI									
1	04848662AB	1				EWB			ALTERNATOR, Electrical
2	04848662AB	1							BRACKET, Alternator (Serviced w/COVER ASSEMBLY, Chain Case #4763731), (NOT SERVICED)
3	04626444AB	AR				EWB			TENSIONER PACKAGE, Belt
-4	04848124	1				EWB			SPACER, Alternator



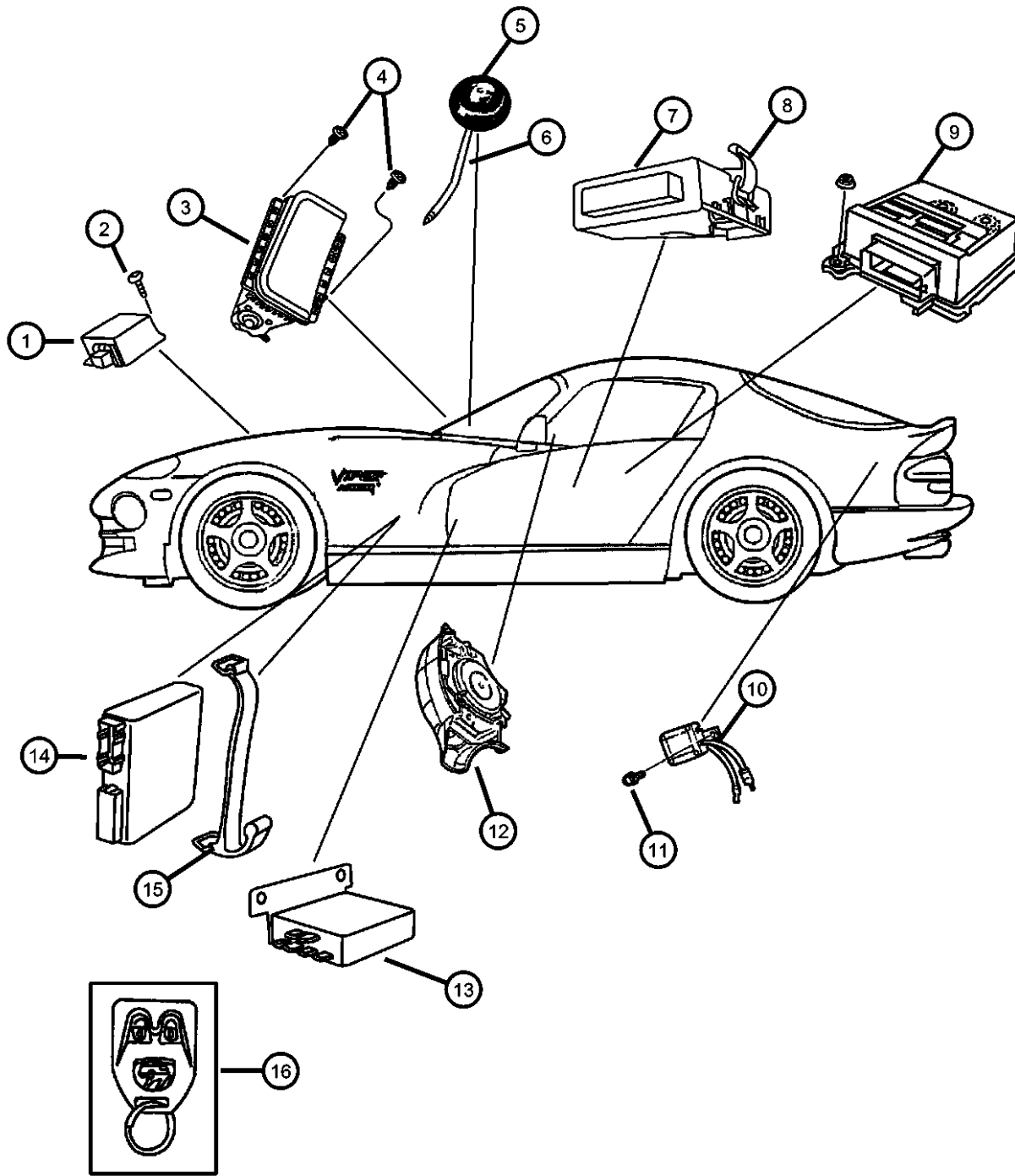
VIPER GTS COUPE,VIPER RT/10 ROADSTER (SR)

SERIES	LINE	BODY	ENGINE	TRANSMISSION
S = RT/10	D = DODGE	27 = 2-DR CONVERTIBLE	EWB = ENGINE - 8.0L V10	DEC = TRANSMISSION - 6-SPEED
S = GTS Coupe		29 = SPECIALTY COUPE	SFI	MANUAL
X = GTS/Lemans			EW0 = All 8.0L Gas	DBB = All Manual

AR = use ase required - = Non illustrated part

2000 SR

Modules
Figure 8-405



ITEM	PART NUMBER	QTY	LINE	SERIES	BODY	ENGINE	TRANS	TRIM	DESCRIPTION
1	04672271	1							MODULE, Daytime Running Lamp
2	04672271	1							SCREW, .250-14x.875, (NOT SERVICED)
3									AIR BAG, Passenger
	0MB62JX8AD	1			29				Black, Export
	0RW19JX8AB	1							Black,
4	0RW19JX8AB	1							SCREW, Round Head, .164-15x1.00, (NOT SERVICED), BEZEL, Security Indicator
5									
	04848663	1			27				
		1			29				
6									WIRING, LED Security
	04848664	1			27				w/Lens
		1			29				w/Lens
7	04848291	1							MODULE, Wiper
8	04848290	1							STRAP, Module Mounting
9	04848802AE	1							MODULE, Air Bag Control
10	04709109	1							BOX, Antenna Amplifier
11	04709109	1							SCREW, Tapping, .19-16x1.75, (NOT SERVICED)
12	0LB45JX8AB	1							AIR BAG, Driver
13	05266269	1							CHIME, Warning
14									MODULE, Keyless Entry Receiver
	04848148AE	1							Export
	04848832AE	1							
15	04848290	1							STRAP, Module Mounting
16									TRANSMITTER, Keyless Entry
	04848151	AR			29				Export
	04865431AA	2							
-17	05245299AB	1							MODULE, Lighting Control, Instrument Panel Lamp dimming

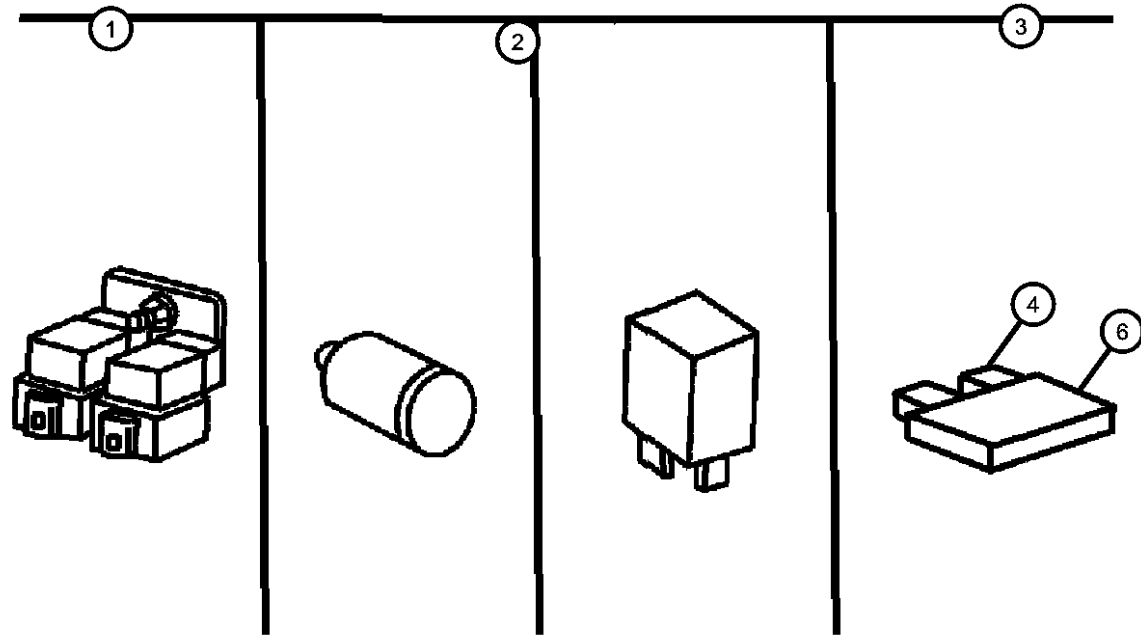
VIPER GTS COUPE,VIPER RT/10 ROADSTER (SR)

SERIES	LINE	BODY	ENGINE	TRANSMISSION
S = RT/10	D = DODGE	27 = 2-DR CONVERTIBLE	EWB = ENGINE - 8.0L V10	DEC = TRANSMISSION - 6-SPEED
S = GTS Coupe		29 = SPECIALTY COUPE	SFI	MANUAL
X = GTS/Lemans			EW0 = All 8.0L Gas	DBB = All Manual

AR = use ase required - = Non illustrated part

Relays, Fuses, Circuit Breakers
Figure 8-505

ITEM	PART NUMBER	QTY	LINE	SERIES	BODY	ENGINE	TRANS	TRIM	DESCRIPTION
1	04848193	1							RELAY, Electrical, Fuel Pump, Located in Rear Fuseblock
2	02889565	1							RELAY, Electrical, Time Delay
3	56005146	1			29				RELAY, Electrical, Heated Rear Window
4	000FLF30	1							CARTRIDGE, Fuseable Link, 30 Amp, Pink, Stereo Amp, Located in Rear Fuseblock
-5	04414333	1			29				BREAKER, Circuit, Rear Defogger
6	000ATM10	2							FUSE, Mini, 10 AMP, Red, Air Bag Controller

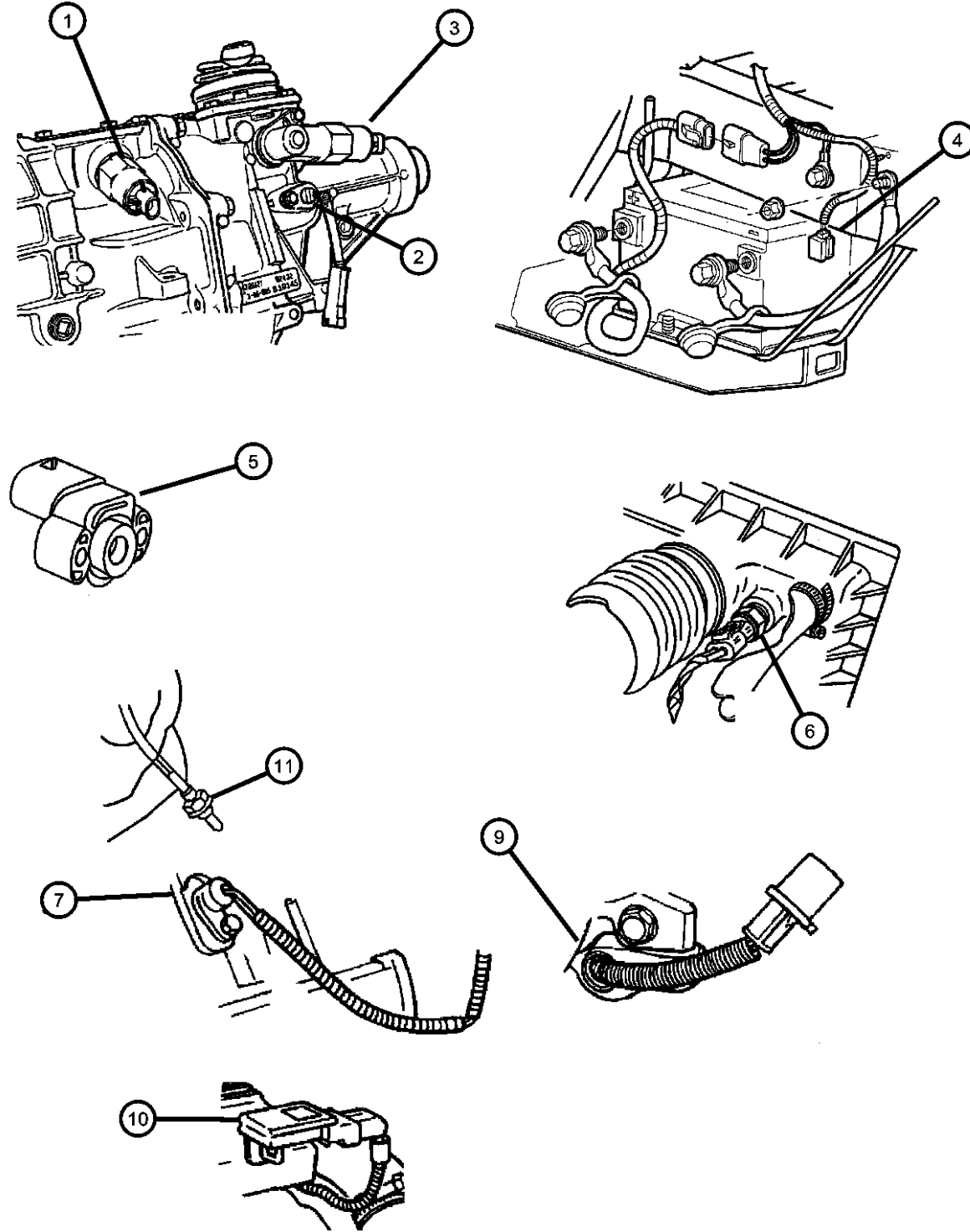


VIPER GTS COUPE,VIPER RT/10 ROADSTER (SR)

SERIES	LINE	BODY	ENGINE	TRANSMISSION
S = RT/10	D = DODGE	27 = 2-DR CONVERTIBLE	EWB = ENGINE - 8.0L V10	DEC = TRANSMISSION - 6-SPEED
S = GTS Coupe		29 = SPECIALTY COUPE	SFI	MANUAL
X = GTS/Lemans			EW0 = All 8.0L Gas	DBB = All Manual

AR = use ase required - = Non illustrated part

Sensors
Figure 8-605



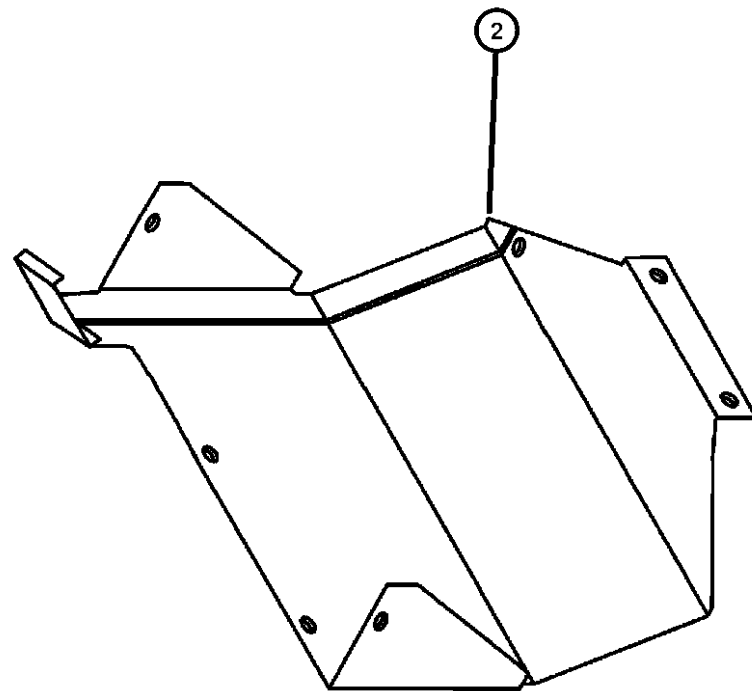
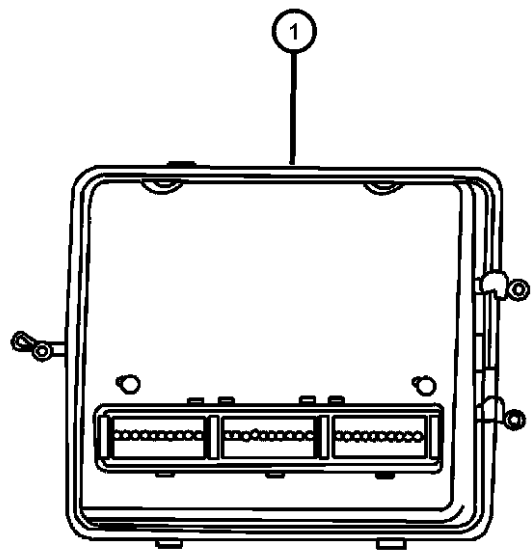
ITEM	PART NUMBER	QTY	LINE	SERIES	BODY	ENGINE	TRANS	TRIM	DESCRIPTION
EWB=8.0L V10 SFI DEC= MANUAL 6-SPEED									
1	04626572	1					DEC		SOLENOID, Transmission Skip Shift
2	04848214	1					DEC		SENSOR, Vehicle Speed
3	04746271	1					DEC		SOLENOID, Transmission
4	56028194	1							SENSOR, Battery Temperature
5	04874371AB	1				EWB			SENSOR, Throttle Position
6	05227805	1				EWB			SENSOR, Ambient Temperature
7	04848416	1				EWB			SENSOR, Crankshaft
-8	05245585	1				EWB			SHIELD, Crank Position Sensor
9	05245084	1				EWB			SENSOR, Camshaft
10	56029405	1				EWB			SENSOR, MAP
11									SENSOR, Oxygen
	56041212AE	2				EWB			Front
	56041212AF	2				EWB			Rear
-12	06016152	2				EWB			CLIP, Rear Oxygen Sensor Wire
-13	56009087	2			29	EWB			PLUG, Oxygen SensorExport

VIPER GTS COUPE,VIPER RT/10 ROADSTER (SR)

SERIES	LINE	BODY	ENGINE	TRANSMISSION
S = RT/10	D = DODGE	27 = 2-DR CONVERTIBLE	EWB = ENGINE - 8.0L V10	DEC = TRANSMISSION - 6-SPEED
S = GTS Coupe		29 = SPECIALTY COUPE	SFI	MANUAL
X = GTS/Lemans			EW0 = All 8.0L Gas	DBB = All Manual

AR = use ase required - = Non illustrated part

Single Board Controllers
Figure 8-705



ITEM	PART NUMBER	QTY	LINE	SERIES	BODY	ENGINE	TRANS	TRIM	DESCRIPTION
1	04865406AA	1							MODULE, Engine Controller
	04865413AA	1				29			
2	04848160AB	1							COVER, Module, JTEC Module

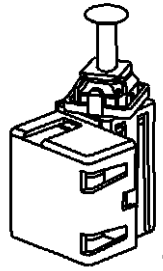
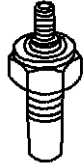
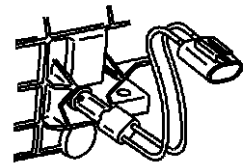
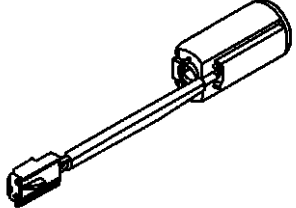
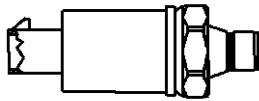
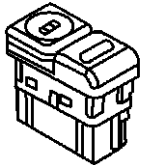
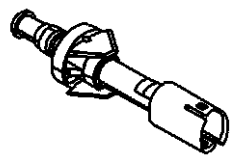
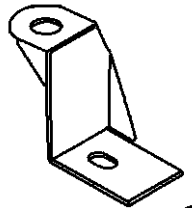
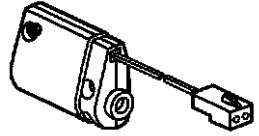
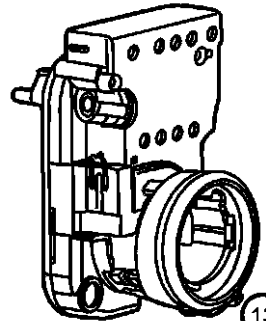
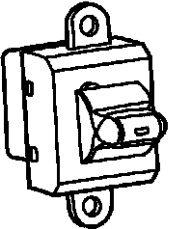
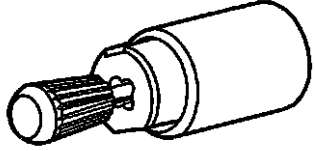
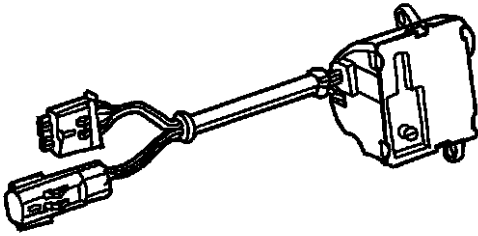
VIPER GTS COUPE,VIPER RT/10 ROADSTER (SR)

SERIES	LINE	BODY	ENGINE	TRANSMISSION
S = RT/10	D = DODGE	27 = 2-DR CONVERTIBLE	EWB = ENGINE - 8.0L V10	DEC = TRANSMISSION - 6-SPEED
S = GTS Coupe		29 = SPECIALTY COUPE	SFI	MANUAL
X = GTS/Lemans			EW0 = All 8.0L Gas	DBB = All Manual

AR = use ase required - = Non illustrated part

2000 SR

Switches and Sending Units
Figure 8-805

ITEM	PART NUMBER	QTY	LINE	SERIES	BODY	ENGINE	TRANS	TRIM	DESCRIPTION
EWB= 8.0L V10 SFI DEC= MANUAL 6-SPEED									
				1	04671334	1			SWITCH, Stop Lamp, Stop Lamp/Speed Control (Clutch Inter-Lock)
				2	04848110	1		EWB	SENDING UNIT, Temperature Gauge
				3	04626593	1		DEC	SWITCH, Back Up Lamp
				4	53007944AB	1			SWITCH, Clutch Starter Interlock
				-5	04848295	1		EWB	SWITCH, Oil Pressure
				6	56026779	1		EWB	SENDING UNIT, Oil Pressure
				7	05245736	1	29		SWITCH, Electric Back Light
				8	04687594	1			SWITCH, Door Ajar, Also Under Hood Security Alarm
				9	04848283AC	1			BRACKET, WiringUnderhood Lamp
				10	04848149	1	29		SWITCH, Strut, Rear Hatch Alarm
				-11					SWITCH, Headlamp
					04763135	1			
					04763596	1	29		
				-12					KNOB, Head Lamp Switch
					04848135	1			
					04848136	1	29		
				13	56021346	1	29		SWITCH, Ignition
				-14	04848150	2			SWITCH, Door Handle
				15	04685434	2	27		SWITCH, Power Window
				-16	04848291	1			SWITCH, Windshield Wiper
				17	04854270AA	1			SWITCH, Mirror
				-18	04854304AA	1			NUT, Power Mirror Switch Attaching
				19	04848934AA	1			SWITCH, Passenger Airbag Disarm
				-20	04728424	1			SWITCH, Multifunction
				-21					SWITCH, Disarm
					04848933AA	1	29		Right or Left
							27		Right or Left

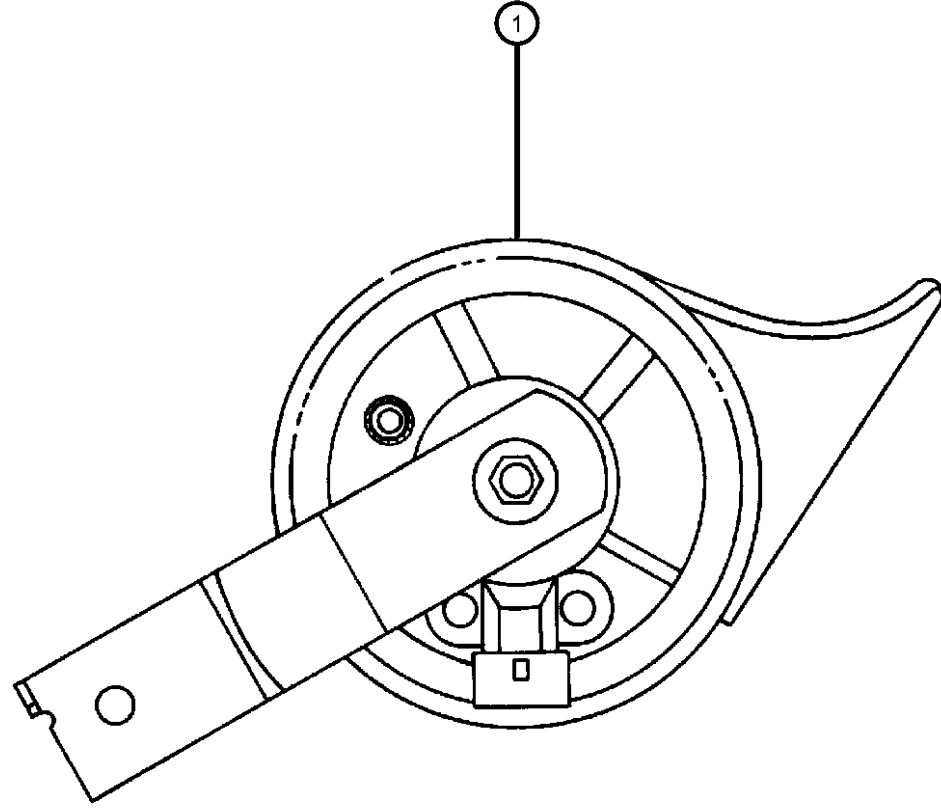
VIPER GTS COUPE,VIPER RT/10 ROADSTER (SR)

SERIES	LINE	BODY	ENGINE	TRANSMISSION
S = RT/10	D = DODGE	27 = 2-DR CONVERTIBLE	EWB = ENGINE - 8.0L V10 SFI	DEC = TRANSMISSION - 6-SPEED MANUAL
S = GTS Coupe		29 = SPECIALTY COUPE	EW0 = All 8.0L Gas	DBB = All Manual
X = GTS/Lemans				

AR = use ase required - = Non illustrated part

Horns
Figure 8-905

ITEM	PART NUMBER	QTY	LINE	SERIES	BODY	ENGINE	TRANS	TRIM	DESCRIPTION
1	04643867AB	1							HORN, High Note
-2	04643868AB	1							HORN, Low Note
-3	04643868AB	1							SCREW, .250-14x.875, Horn Attaching, (NOT SERVICED)



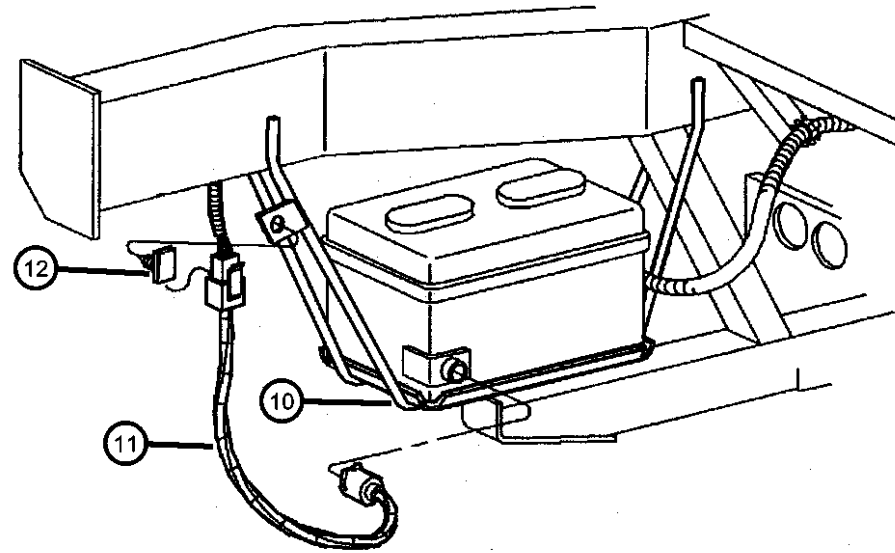
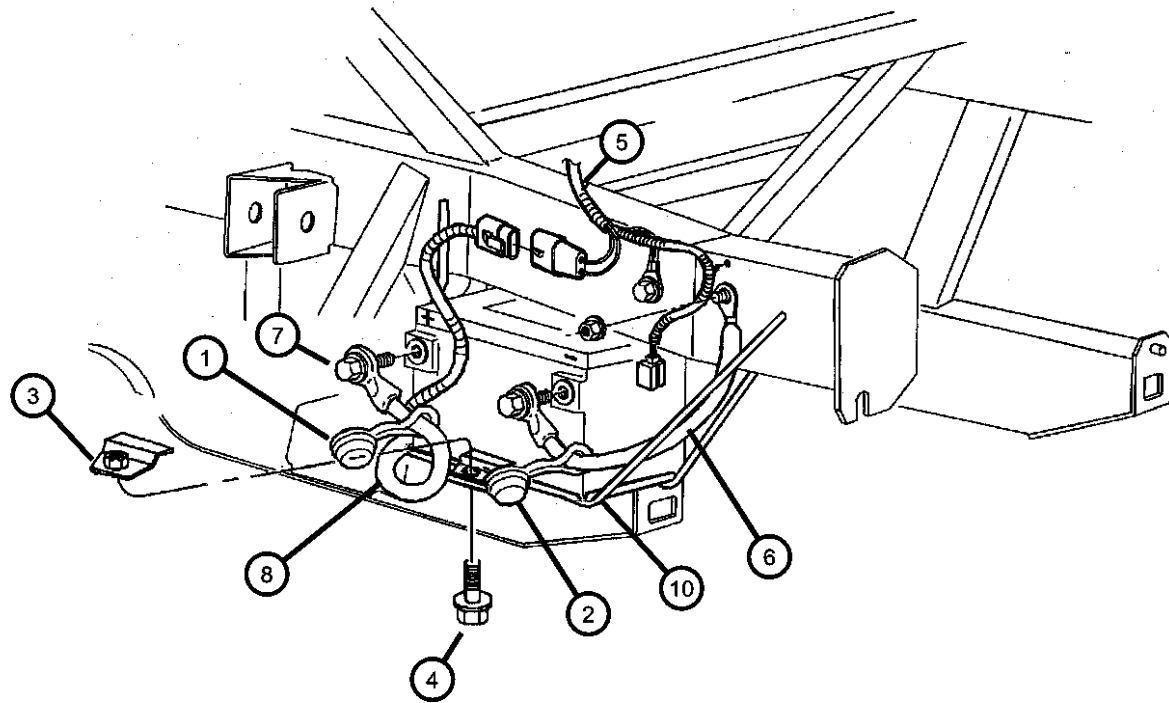
VIPER GTS COUPE,VIPER RT/10 ROADSTER (SR)

SERIES	LINE	BODY	ENGINE	TRANSMISSION
S = RT/10	D = DODGE	27 = 2-DR CONVERTIBLE	EWB = ENGINE - 8.0L V10	DEC = TRANSMISSION - 6-SPEED
S = GTS Coupe		29 = SPECIALTY COUPE	SFI	MANUAL
X = GTS/Lemans			EW0 = All 8.0L Gas	DBB = All Manual

AR = use ase required - = Non illustrated part

2000 SR

Battery Tray and Cables
Figure 8-1005



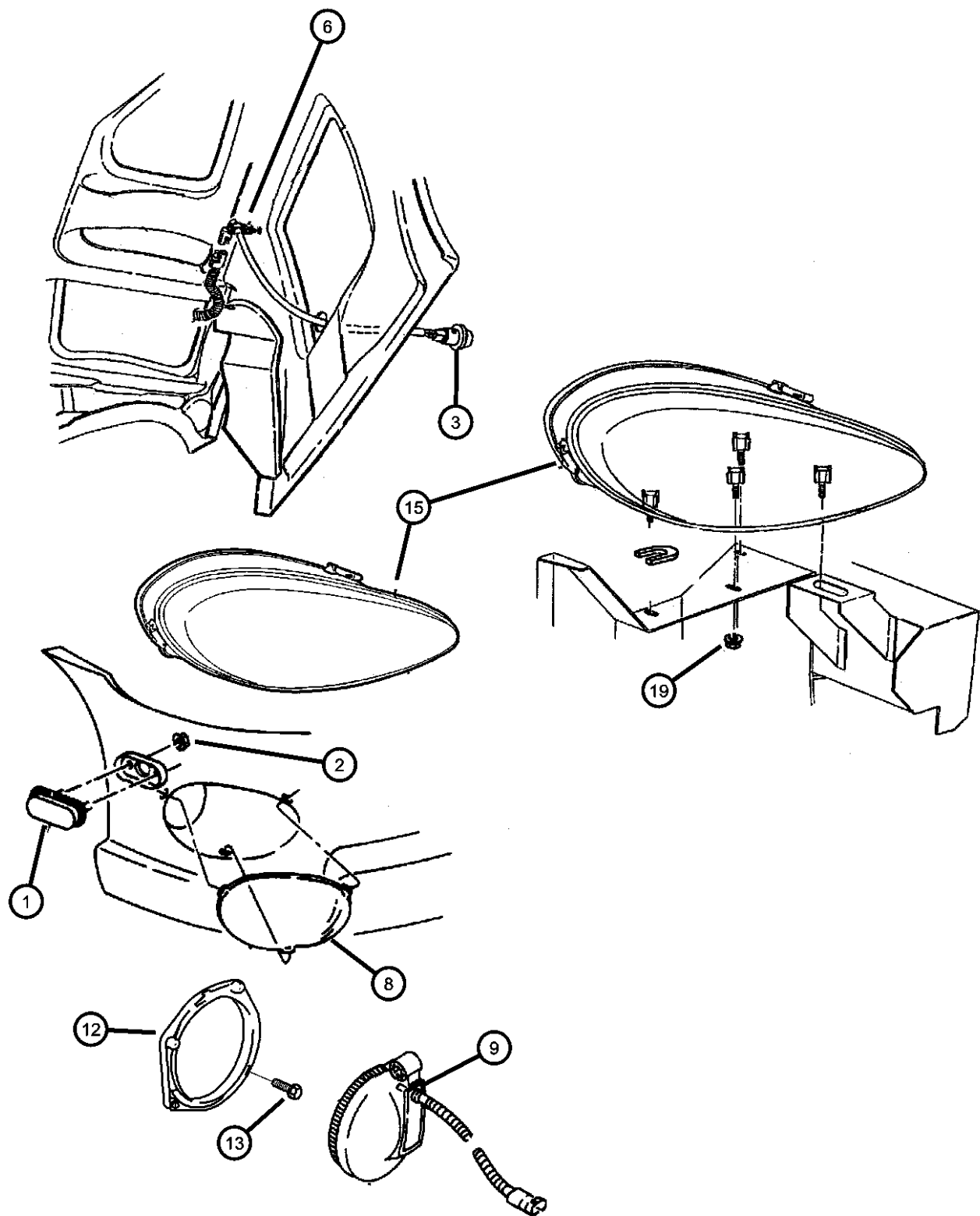
ITEM	PART NUMBER	QTY	LINE	SERIES	BODY	ENGINE	TRANS	TRIM	DESCRIPTION
1	04642924	1							COVER, Battery Terminal
2	04642591	1							COVER, Battery Terminal
3	04763635	1							RETAINER, Battery Hold Down
4	06500584	1							SCREW AND WASHER, Hex Head, M8x1.25x30, Battery Retainer Attaching
5									WIRING, Body
	04794425AA	1			27				
	04794427AA	1			29				
6	04642610AC	1							WIRING, Battery Negative
7	04642589	1							BOLT, Hex Head, .375-16x.95
8	04763057AB	1							WIRING, Battery Positive
-9	04848923AA	1							LABEL, Battery, English/French
10	04643305	1							TRAY, Battery
	0VU01207								Repair Battery Terminal End Side Post (Ten Per Box) Mopar Power Pro 6
	BA078730EX								Repair Battery Terminal End Top Post (Ten Per Box)
	0VU01205								Repair Battery Terminal End Top Post (Ten Per Box)
11	56028194	1							SENSOR, Battery Temperature
12	56028194	1							CLIP, (NOT SERVICED)

VIPER GTS COUPE,VIPER RT/10 ROADSTER (SR)

SERIES	LINE	BODY	ENGINE	TRANSMISSION
S = RT/10	D = DODGE	27 = 2-DR CONVERTIBLE	EWB = ENGINE - 8.0L V10	DEC = TRANSMISSION - 6-SPEED
S = GTS Coupe		29 = SPECIALTY COUPE	SFI	MANUAL
X = GTS/Lemans			EW0 = All 8.0L Gas	DBB = All Manual

AR = use ase required - = Non illustrated part

Lamps and Wiring - Front
Figure 8-1105



ITEM	PART NUMBER	QTY	LINE	SERIES	BODY	ENGINE	TRANS	TRIM	DESCRIPTION
ACR=COMPETITION GROUP									
1									LAMP, Side Marker
	04642930	2			29				
		2			27				
2									NUT AND WASHER, Hex Nut-Coned Washer, .190-24 Sidemarker Mounting
	06025002	4			27				
		4			29				Sidemarker Mounting
3	04676565	2			29				LAMP, Front FenderExport
-4	00153620	2			29				BULB, 8/4Side Marker Lamp, Export
-5	04676801	2			29				GASKET, Side Marker Lamp
6	04481618	2			29				WIRING, Side Repeater LampExport
-7	04676802	2			29				O RING, Fender Side
8	04865448AA	2			29				COVER, Fog Lamp, Fog Lamp Filler, (ACR)
9									LAMP, Fog
	05245104	2			27				
		2			29				
-10									SCREW, .19-16x.75
	06033526	4			27				Fog Lamp to Adapter
		4			29				Fog Lamp to Adapter
-11									BULB PACKAGE, 55 Watt
	04728646	6			27				Fog Lamp
		6			29				Fog Lamp
12									BRACKET, Fog Lamp
	05245172	2			27				
		2			29				
13									SCREW, Hex Flange Head
	00154150	6			27				Fog Adapter To Fascia
		6			29				Fog Adapter To Fascia
-14									SEAL, Fog Lamp, (NOT REQUIRED),
15									HEADLAMP
	04708146AB	1			29				Right, Export
	04708147AB	1			29				Left, Export
	04848062AB	1							Right
	04848063AB	1							Left

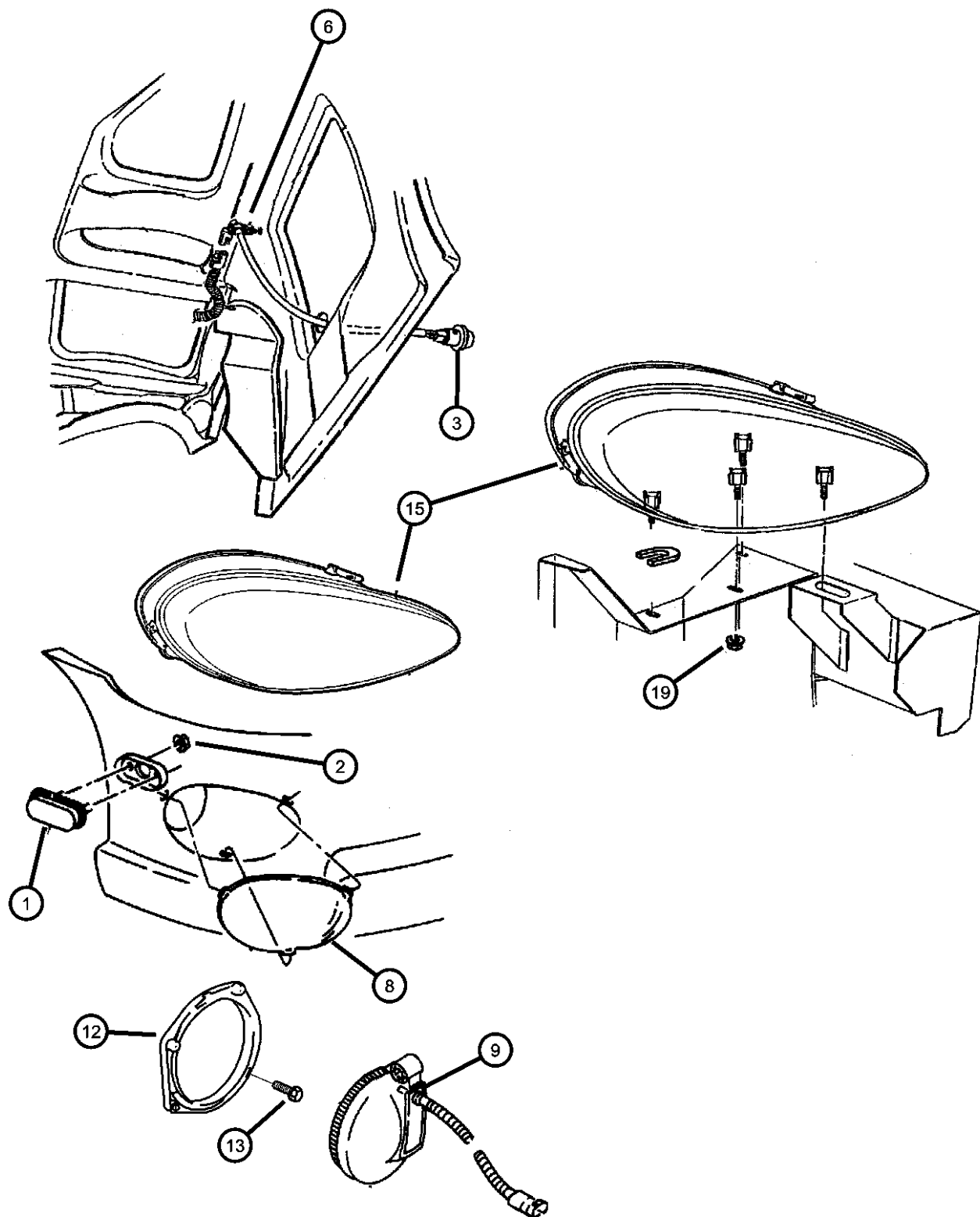
VIPER GTS COUPE,VIPER RT/10 ROADSTER (SR)

SERIES	LINE	BODY	ENGINE	TRANSMISSION
S = RT/10	D = DODGE	27 = 2-DR CONVERTIBLE	EWB = ENGINE - 8.0L V10	DEC = TRANSMISSION - 6-SPEED
S = GTS Coupe		29 = SPECIALTY COUPE	SFI	MANUAL
X = GTS/Lemans			EW0 = All 8.0L Gas	DBB = All Manual

AR = use ase required - = Non illustrated part

2000 SR

Lamps and Wiring - Front
Figure 8-1105



ITEM	PART NUMBER	QTY	LINE	SERIES	BODY	ENGINE	TRANS	TRIM	DESCRIPTION
-16	L0009005	1							BULB, Headlamp
-17	L000009011	1							BULB, 9011, high beam, Right & Left
-18	L0003157NA	1							BULB, 3157 NAKPark And Turn Signal Lamp
	L0003157ST								SilverStar
19	06504572	8							NUT AND WASHER, Hex Nut-Coned Washer, M8 x 1.25Headlamp Mounting
-20	04643463	AR							SHIM, Hood Latch
-21	04708012	4							NUT, Wing, Headlamp Mounting

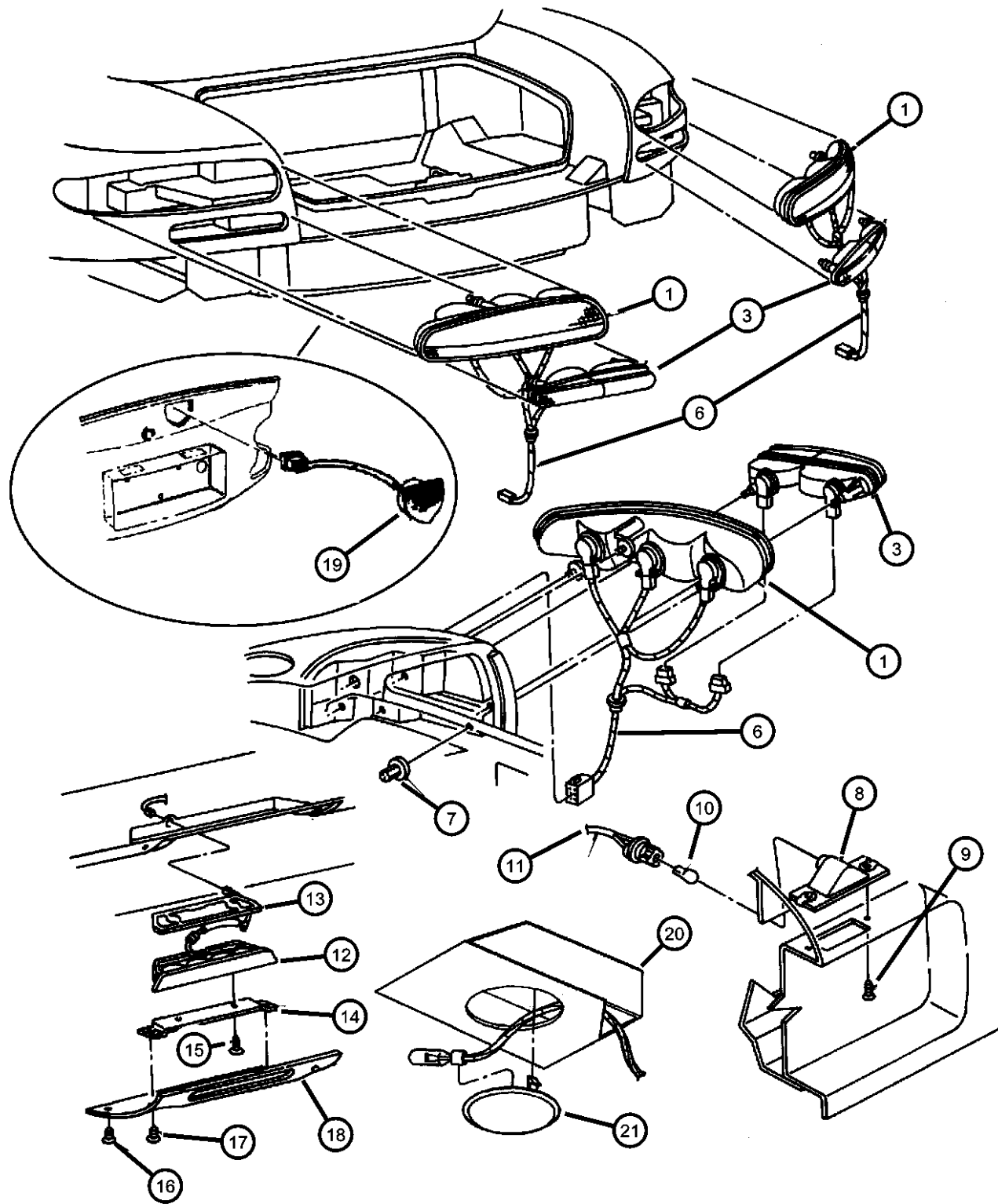
VIPER GTS COUPE,VIPER RT/10 ROADSTER (SR)

SERIES	LINE	BODY	ENGINE	TRANSMISSION
S = RT/10	D = DODGE	27 = 2-DR CONVERTIBLE	EWB = ENGINE - 8.0L V10	DEC = TRANSMISSION - 6-SPEED
S = GTS Coupe		29 = SPECIALTY COUPE	SFI	MANUAL
X = GTS/Lemans			EW0 = All 8.0L Gas	DBB = All Manual

AR = use ase required - = Non illustrated part

2000 SR

Lamps and Wiring - Rear
Figure 8-1110



ITEM	PART NUMBER	QTY	LINE	SERIES	BODY	ENGINE	TRANS	TRIM	DESCRIPTION
1									LAMP, Tail Stop Turn
	04848420	1			29				Right
		1			27				Right
	04848421	1			29				Left
		1			27				Left
	04848424	1			29				Right, Export
	04848425	1			29				Left, Export
-2	L0003157	1			27				BULB, 3157Tail, Stop, Turn Signal, And Side Marker Lamp, Back Up Lamp
3									LAMP, Back-Up and Turn Signal
	04642100	1			29				Right
		1			27				Right
	04642101	1			29				Left
		1			27				Left
-4									SOCKET, Park, Turn, and Side Lamp
	04399900	1			29				
		1			27				
-5	04399599	1			27				SEALTurn Signal And Side Marker Lamp
6									WIRING, Taillamp
	04848422	1			29				
		1			27				
	04848423	1			29				Export
7									NUT, Wing, M6
	06502589	10			29				Tail Lamp Attaching
		10			27				Tail Lamp Attaching
8									LAMP, License Plate
	04642929	2			29				
		2			27				
9									SCREW, (NOT SERVICED)
		2							
10									BULB, 168
	L0000168	2			27				License Lamp
		1			29				License Lamp
11									WIRING, License Lamp, Serviced in Uni-Body Harness, (NOT SERVICED)
		1							

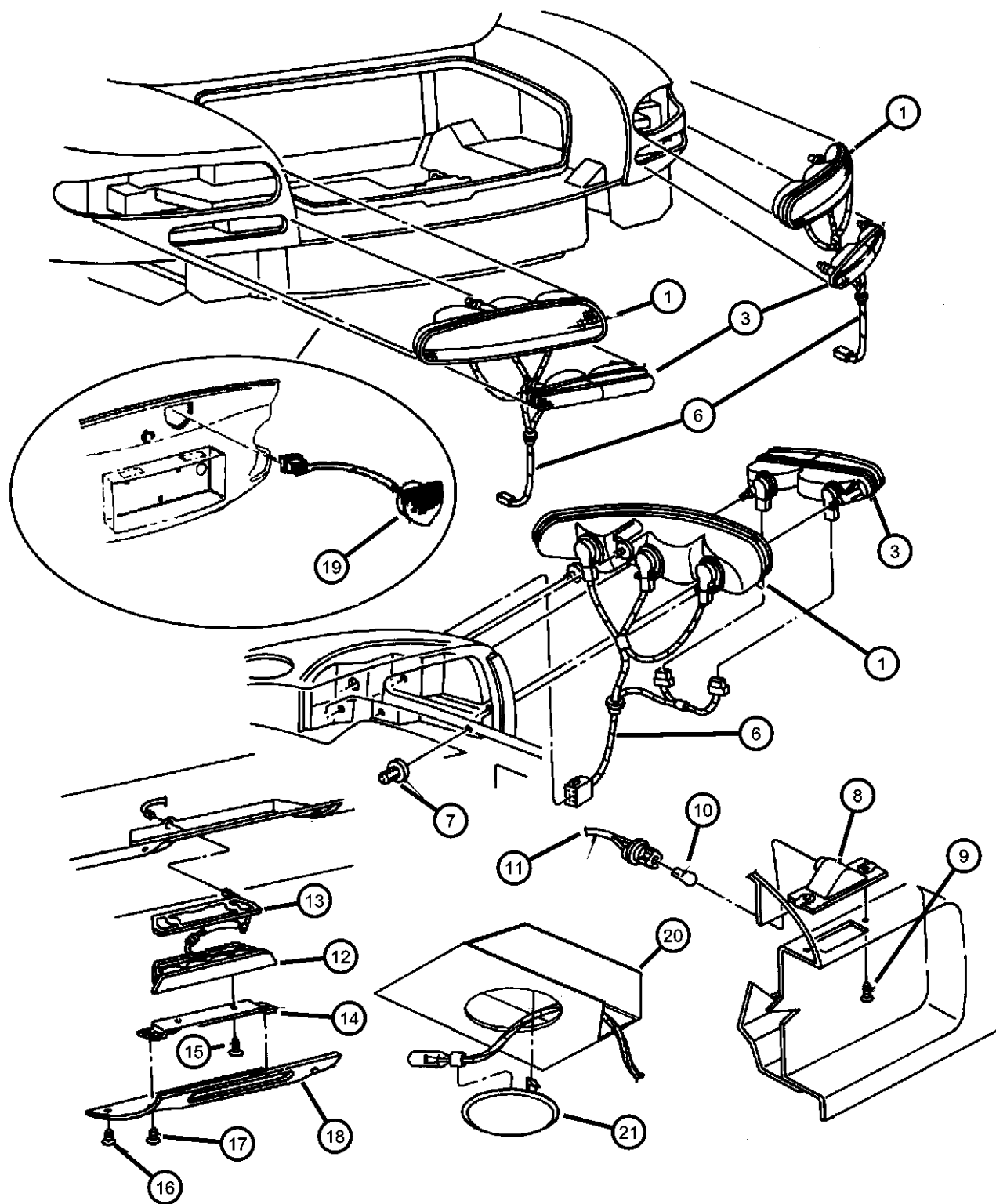
VIPER GTS COUPE,VIPER RT/10 ROADSTER (SR)

SERIES	LINE	BODY	ENGINE	TRANSMISSION
S = RT/10	D = DODGE	27 = 2-DR CONVERTIBLE	EWB = ENGINE - 8.0L V10	DEC = TRANSMISSION - 6-SPEED
S = GTS Coupe		29 = SPECIALTY COUPE	SFI	MANUAL
X = GTS/Lemans			EW0 = All 8.0L Gas	DBB = All Manual

AR = use ase required - = Non illustrated part

2000 SR

Lamps and Wiring - Rear
Figure 8-1110



ITEM	PART NUMBER	QTY	LINE	SERIES	BODY	ENGINE	TRANS	TRIM	DESCRIPTION
12	04642571	1			27				LAMP, High Mounted Stop, LED Lamp
13									SEAL, High Mounted Stop Lamp
	04643600	1			27				Chimsel Anti-Light Leak
	04848937AA	2			27				Chimsel Anti-Light Leak
14	04643601	1			27				BRACKET, High Mounted Stop Lamp
15	34201942	2			27				CLIP, Panel Fastener
16	34201942	2							SCREW, (NOT SERVICED)
17	34201942	2							SCREW, (NOT SERVICED)
18	04642910	1			27				PANEL, Chmsl Cover, Primed
19	04763042	1			29				LAMP, Liftgate Chmsl, LED Lamp
20	04848767	1			29				BRACKET, Trunk Lamp Mounting
21	05209554	1			29				LENS, Cargo Lamp

VIPER GTS COUPE,VIPER RT/10 ROADSTER (SR)

SERIES	LINE	BODY	ENGINE	TRANSMISSION
S = RT/10	D = DODGE	27 = 2-DR CONVERTIBLE	EWB = ENGINE - 8.0L V10	DEC = TRANSMISSION - 6-SPEED
S = GTS Coupe		29 = SPECIALTY COUPE	SFI	MANUAL
X = GTS/Lemans			EW0 = All 8.0L Gas	DBB = All Manual

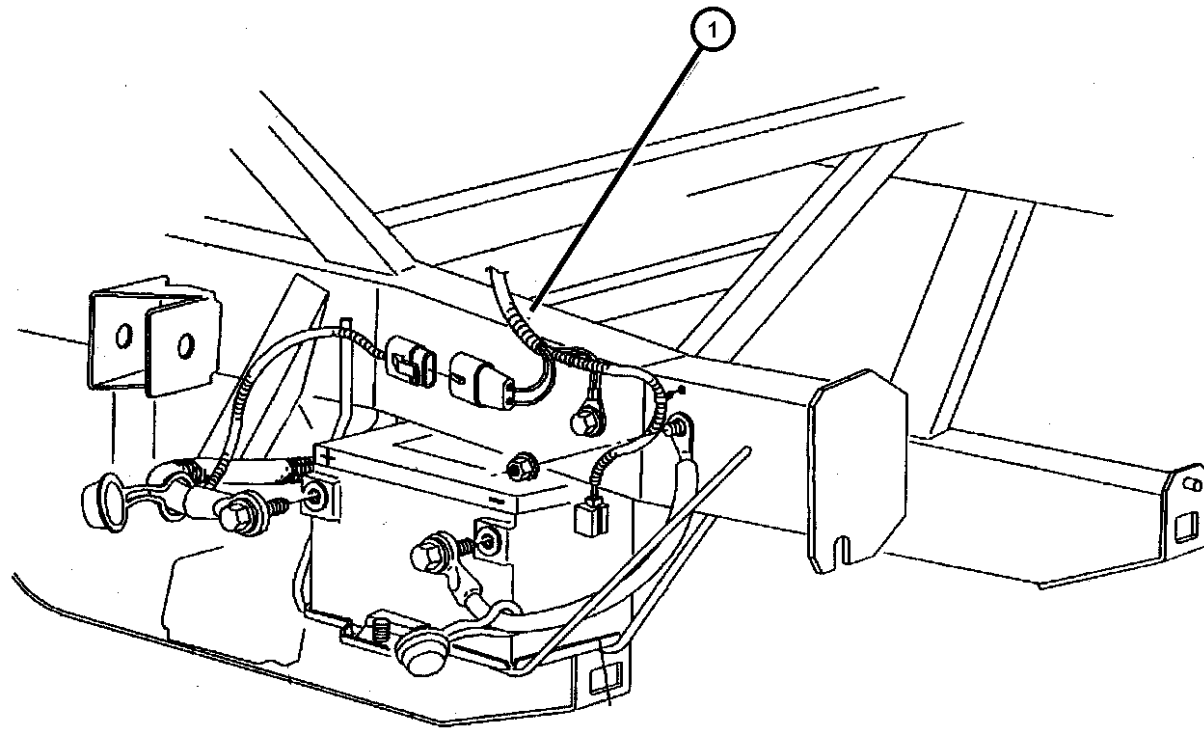
AR = use ase required - = Non illustrated part

**Wiring - Engine and Related Parts
Figure 8-1205**

ITEM	PART NUMBER	QTY	LINE	SERIES	BODY	ENGINE	TRANS	TRIM	DESCRIPTION
------	-------------	-----	------	--------	------	--------	-------	------	-------------

EWB=8.0L V10 SFI

1									WIRING, Engine
	04763760AC	1				EWB			Lower
	04848501AC	1				EWB			Intake
-2	04848285AC	1				EWB			WIRING, Alternator
-3	04848860AA	1				EWB			BRACKET, Wire Harness
-4	04848344AB	1				EWB			BRACKET, Wiring Harness
-5	04642610AC	1							WIRING, Battery Negative
-6	04848507	1				EWB			WIRING, Engine Ground



VIPER GTS COUPE,VIPER RT/10 ROADSTER (SR)

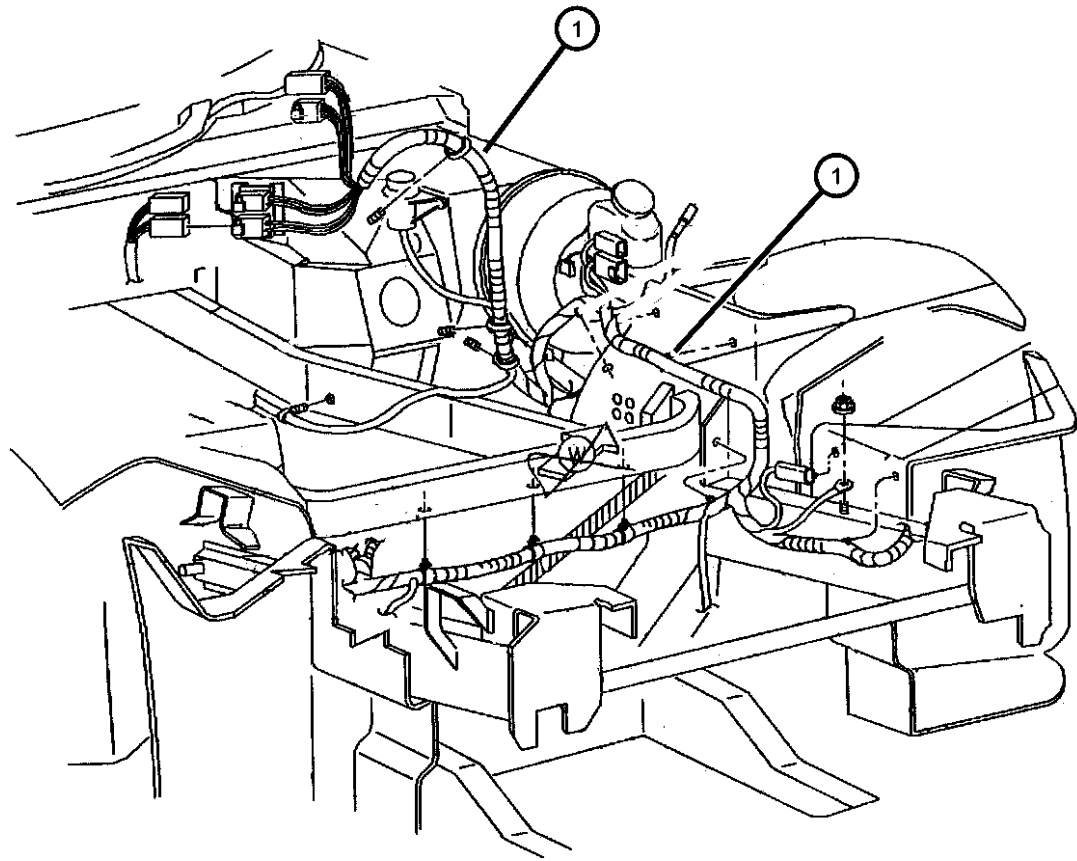
SERIES	LINE	BODY	ENGINE	TRANSMISSION
S = RT/10	D = DODGE	27 = 2-DR CONVERTIBLE	EWB = ENGINE - 8.0L V10	DEC = TRANSMISSION - 6-SPEED
S = GTS Coupe		29 = SPECIALTY COUPE	SFI	MANUAL
X = GTS/Lemans			EW0 = All 8.0L Gas	DBB = All Manual

AR = use ase required - = Non illustrated part

2000 SR

Wiring - Headlamp to Dash
Figure 8-1305

ITEM	PART NUMBER	QTY	LINE	SERIES	BODY	ENGINE	TRANS	TRIM	DESCRIPTION
1	04794426AA	1							WIRING, Headlamp and Dash



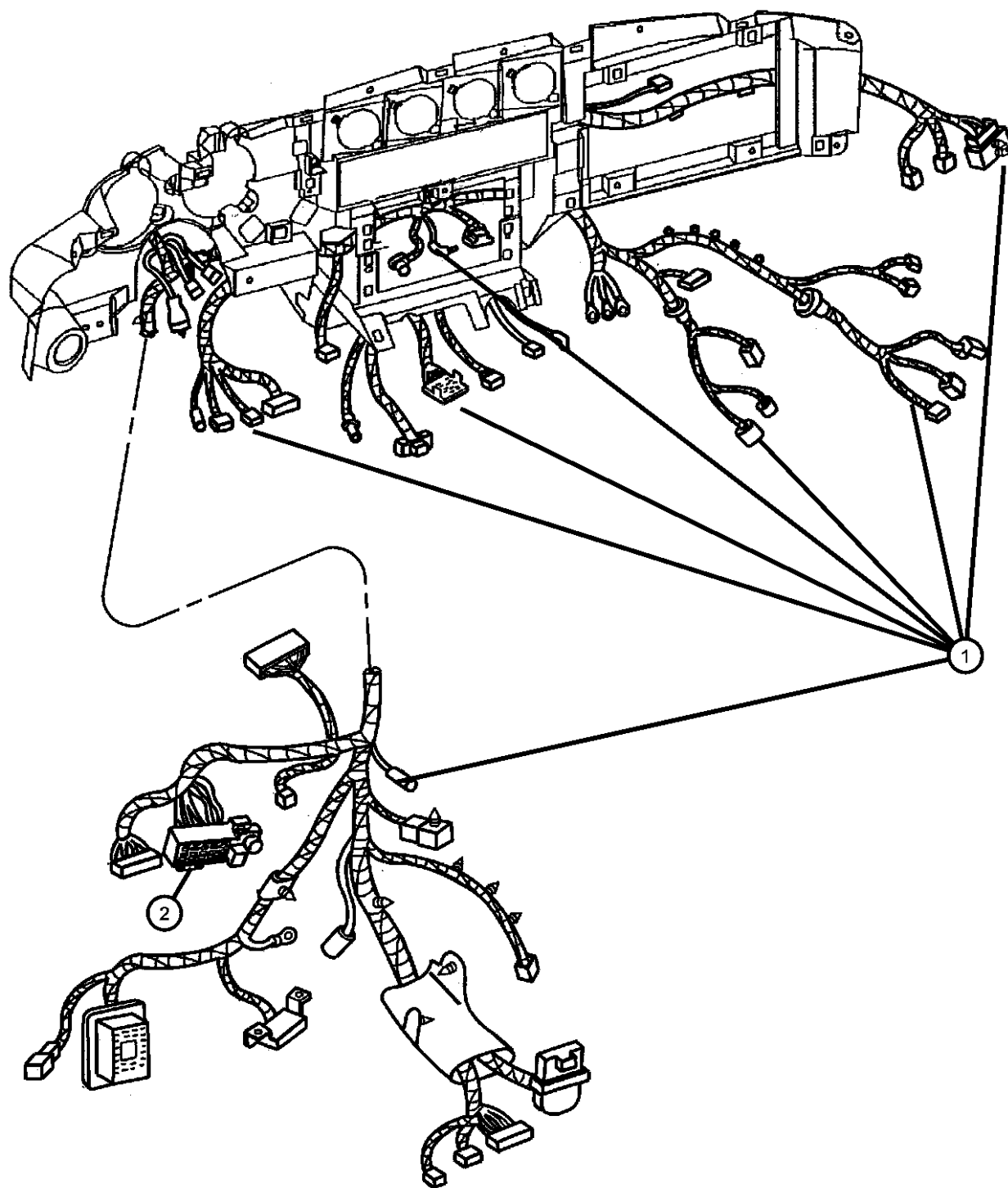
VIPER GTS COUPE,VIPER RT/10 ROADSTER (SR)

SERIES	LINE	BODY	ENGINE	TRANSMISSION
S = RT/10	D = DODGE	27 = 2-DR CONVERTIBLE	EWB = ENGINE - 8.0L V10	DEC = TRANSMISSION - 6-SPEED
S = GTS Coupe		29 = SPECIALTY COUPE	SFI	MANUAL
X = GTS/Lemans			EW0 = All 8.0L Gas	DBB = All Manual

AR = use ase required - = Non illustrated part

2000 SR

Wiring - Instrument Panel
Figure 8-1405



ITEM	PART NUMBER	QTY	LINE	SERIES	BODY	ENGINE	TRANS	TRIM	DESCRIPTION
1	04865420AA	1							WIRING, Instrument Panel
2	04865420AA	1							BLOCK, Fuse, (Pia in Wire Harness), (NOT SERVICED)
-3	04848297	1							COVER, Fuseblock, Rear Body Fuseblock
-4	04848579	1							LABEL, Fuse Block
-5	56007098	1							FLASHERTurn Signal
-6	56007098	1							FUSE, (See Manual), (NOT REQUIRED)
-7	04414333	1					29		BREAKER, Circuit, Rear Defogger

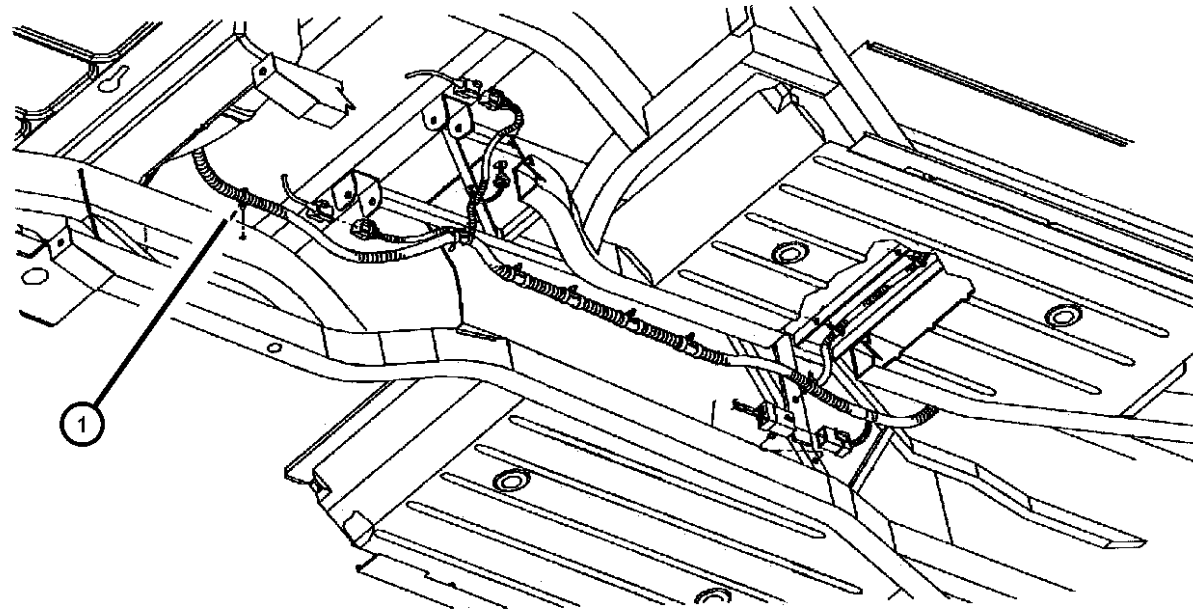
VIPER GTS COUPE,VIPER RT/10 ROADSTER (SR)

SERIES	LINE	BODY	ENGINE	TRANSMISSION
S = RT/10	D = DODGE	27 = 2-DR CONVERTIBLE	EWB = ENGINE - 8.0L V10	DEC = TRANSMISSION - 6-SPEED
S = GTS Coupe		29 = SPECIALTY COUPE	SFI	MANUAL
X = GTS/Lemans			EW0 = All 8.0L Gas	DBB = All Manual

AR = use ase required - = Non illustrated part

2000 SR

Wiring - Body and Accessories
Figure 8-1505



ITEM	PART NUMBER	QTY	LINE	SERIES	BODY	ENGINE	TRANS	TRIM	DESCRIPTION
1									WIRING, Body
	04794425AA	1			27				
	04794427AA	1			29				
-2	05245041	1							WIRING, Transmission
-3	04763057AB	1							WIRING, Battery Positive
-4	04642610AC	1							WIRING, Battery Negative
-5									WIRING, Door
	04763075AE	1							Left Door
	04763076AE	1							Right Door
-6	04481618	2			29				WIRING, Side Repeater Lamp
-7	04848156AC	1			29				WIRING, Electric Back LightGround
-8	04865675AA	1							PROTECTOR, Wiring

VIPER GTS COUPE,VIPER RT/10 ROADSTER (SR)

SERIES	LINE	BODY	ENGINE	TRANSMISSION
S = RT/10	D = DODGE	27 = 2-DR CONVERTIBLE	EWB = ENGINE - 8.0L V10	DEC = TRANSMISSION - 6-SPEED
S = GTS Coupe		29 = SPECIALTY COUPE	SFI	MANUAL
X = GTS/Lemans			EW0 = All 8.0L Gas	DBB = All Manual

AR = use ase required - = Non illustrated part

2000 SR

**Connector Repair Package
Figure 8-1610**

ITEM	PART NUMBER	QTY	LINE	SERIES	BODY	ENGINE	TRANS	TRIM	DESCRIPTION
-1	05013930AA	1							WIRING PACKAGE, Underhood Connector Repair, For Electrical Connector Repair Information visit the World Wide Web at http://dto.vftis.com/mopar/disclaimer.asp

For Electrical Connector Repair Information visit the World Wide Web at

<http://dto.vftis.com/mopar/disclaimer.asp>

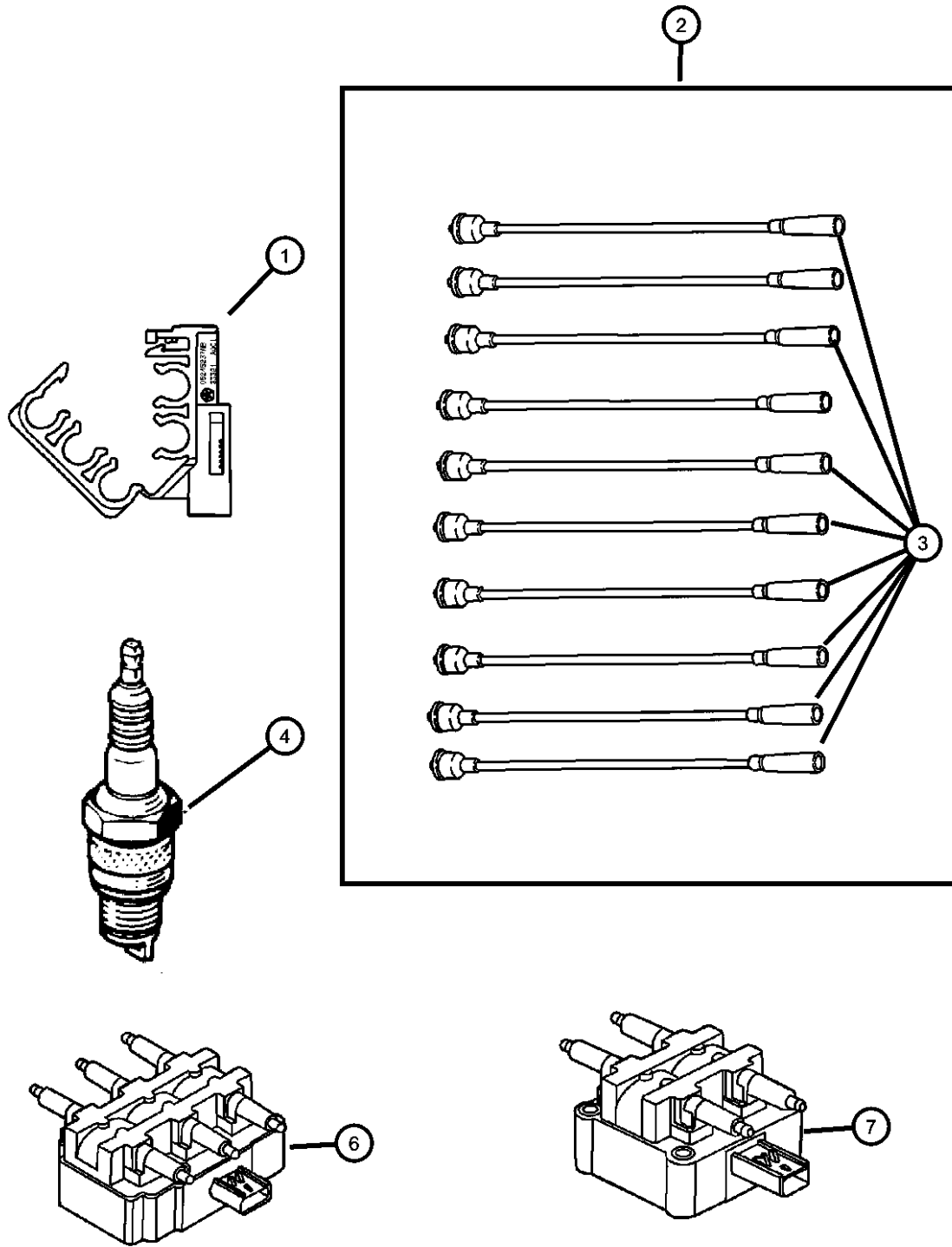
VIPER GTS COUPE,VIPER RT/10 ROADSTER (SR)

SERIES	LINE	BODY	ENGINE	TRANSMISSION
S = RT/10	D = DODGE	27 = 2-DR CONVERTIBLE	EWB = ENGINE - 8.0L V10	DEC = TRANSMISSION - 6-SPEED
S = GTS Coupe		29 = SPECIALTY COUPE	SFI	MANUAL
X = GTS/Lemans			EW0 = All 8.0L Gas	DBB = All Manual

AR = use ase required - = Non illustrated part

2000 SR

Spark Plugs - Cables - Coil
Figure 8-1905



ITEM	PART NUMBER	QTY	LINE	SERIES	BODY	ENGINE	TRANS	TRIM	DESCRIPTION
EWB=8.0L V10 SFI									
1	05245237AB	4				EWB			SEPERATOR, Ignition Cable
2	04883365AA	1				EWB			CABLE PACKAGE, Ignition
3									WIRE, Spark Plug
	04763780	1				EWB			[#1]
	04763781	1				EWB			[#2]
	04763782	1				EWB			[#3]
	04763783	1				EWB			[#4]
	04763784	1				EWB			[#5]
	04763785	1				EWB			[#6]
	04763786	1				EWB			[#7]
	04763787	1				EWB			[#8]
	04763788	1				EWB			[#9]
	04763789	1				EWB			[#10]
4	SP0RC12LYC	10				EWB			SPARK PLUG
-5	53020419	10				EWB			SHIELD, Heat, Spark Plug
6	56032520	1				EWB			COIL, Ignition, Six Lead
7	56032521	1				EWB			COIL, Ignition, Four Lead

VIPER GTS COUPE,VIPER RT/10 ROADSTER (SR)

SERIES	LINE	BODY	ENGINE	TRANSMISSION
S = RT/10	D = DODGE	27 = 2-DR CONVERTIBLE	EWB = ENGINE - 8.0L V10	DEC = TRANSMISSION - 6-SPEED
S = GTS Coupe		29 = SPECIALTY COUPE	SFI	MANUAL
X = GTS/Lemans			EW0 = All 8.0L Gas	DBB = All Manual

AR = use ase required - = Non illustrated part

Group - 08A

Instrument Panel and Radios and Consoles

Group - 08A Instrument Panel and Radios and Consoles

Group-Fig. No.

Illustration Title

Instrument Panel

Instrument Panel Fig. 08A - 110

Instrument Panel Cluster

Gauge Cluster Fig. 08A - 210

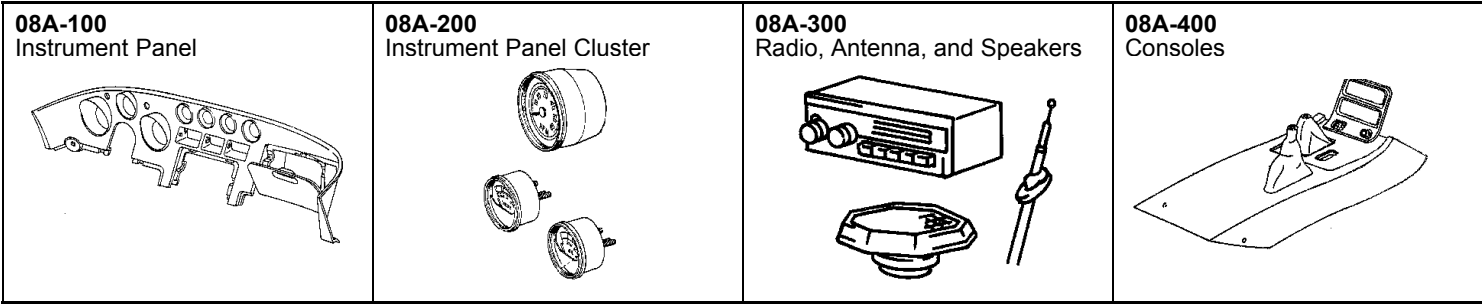
Radio, Antenna, and Speakers

Radios Fig. 08A - 305

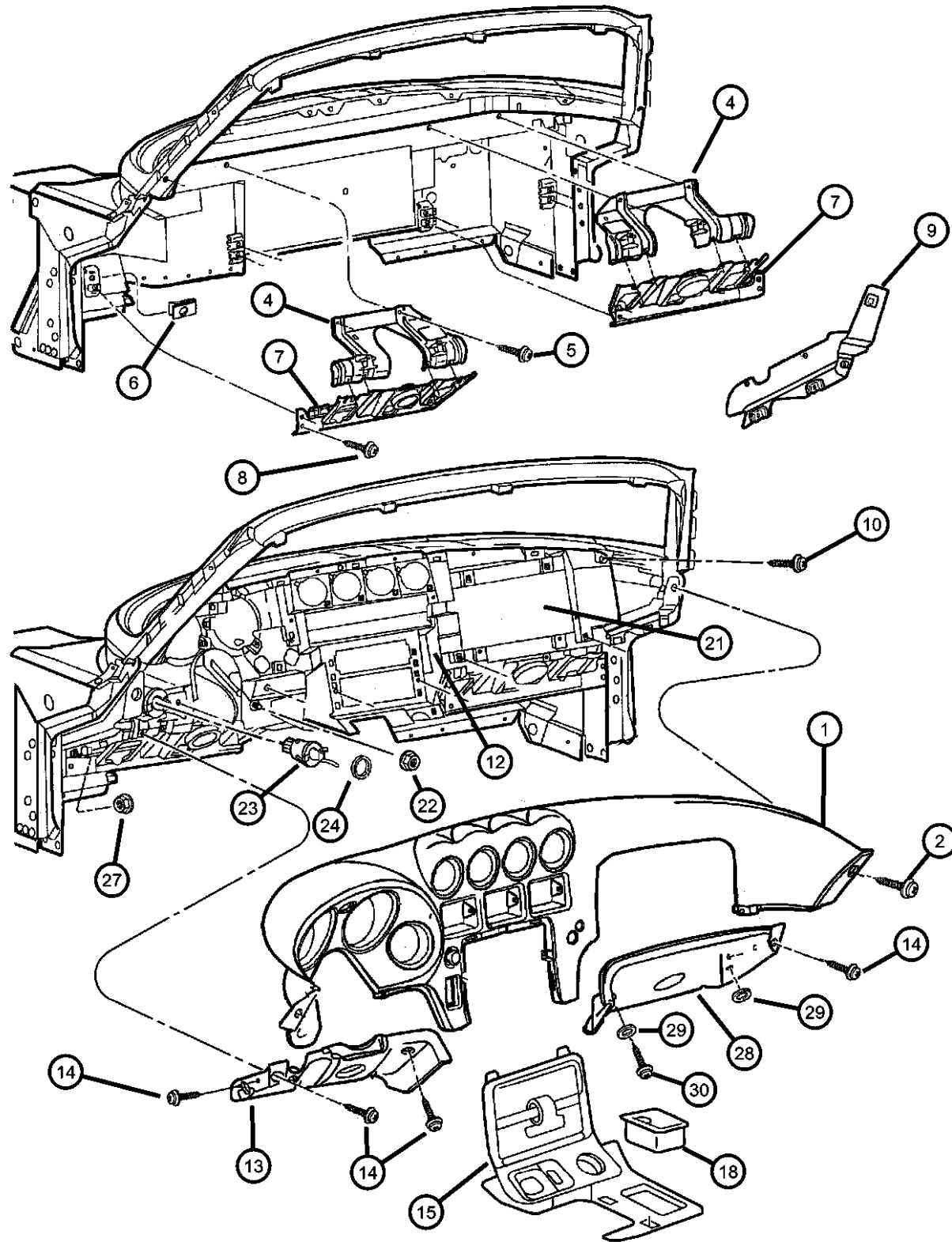
Antenna-Speakers Fig. 08A - 310

Consoles

Console Fig. 08A - 410



Instrument Panel
Figure 08A-110



ITEM	PART NUMBER	QTY	LINE	SERIES	BODY	ENGINE	TRANS	TRIM	DESCRIPTION
1	0LB39JX8AG	1							FASCIA, Instrument Panel, Black
2	06032723	23							SCREW, Self Tapping, M4.2x1.69x19.05, I/P Carrier
-3	06503519	6							CLIP, M7.25x16.20, I/P Fascia Attaching
4									SUPPORT, Instrument Panel
	04763604	1							Right
	04763605	1							Left
5	00154910AA	2							SCREW
6	00154910AA	2							U-NUT, [.190-16], (NOT SERVICED)
7									PLATE, Instrument Panel Support
	04763610	1							Right
	04763611	1							Left
8	04763611	1							SCREW, Hex Flange Head, .19-16x.625, (NOT SERVICED)
9									PANEL, Instrument Closure
	05245939AC	1							Right
	05245962AB	1							Left
10	06032723	4							SCREW, Self Tapping, M4.2x1.69x19.05Close Out
-11	06034833	36							CLIP, Push, .164-7.5
12	04763468AD	1							CARRIER, Instrument Panel
13									PAD, Instrument Panel
	0QN71BX7AC	1							Black, Kneeblocker, Left
	0QN71WU-CAC	1							Cognac, Kneeblocker, Left
14	06035625	3							SCREWKneeblocker, Right & Left
15									BEZEL, Instrument Panel
	0KS79JX8AD	1			29				Black, Center Bezel
	0PK84JX8AD	1			27				Black, Center Bezel
	0TG89DX9AA	1			29				ACR Package
-16									CLIP, M5.35x12.65
	06032268	6			29				Center Bezel attaching
		6			27				Center Bezel attaching
-17	04854434AA	1			29				NAMEPLATE, Instrument Panel, ACR Plaque
18	0D221SX8	1							ASH RECEIVER, Rear Door
-19	04848773	1							COVER, Fuse Access
-20	04848579	1							LABEL, Fuse Block

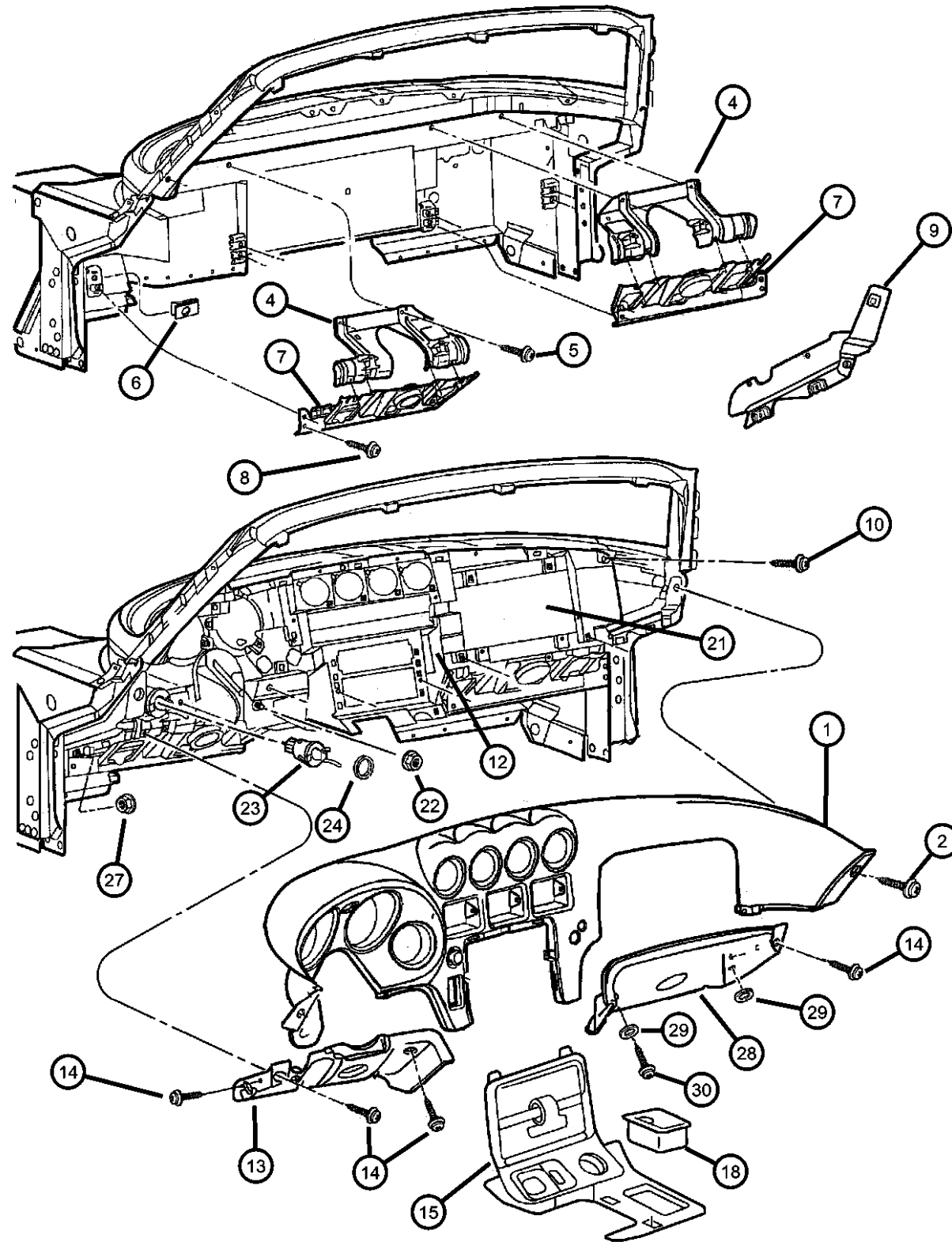
VIPER GTS COUPE,VIPER RT/10 ROADSTER (SR)

SERIES	LINE	BODY	ENGINE	TRANSMISSION
S = RT/10	D = DODGE	27 = 2-DR CONVERTIBLE	EWB = ENGINE - 8.0L V10	DEC = TRANSMISSION - 6-SPEED
S = GTS Coupe		29 = SPECIALTY COUPE	SFI	MANUAL
X = GTS/Lemans			EW0 = All 8.0L Gas	DBB = All Manual

AR = use ase required - = Non illustrated part

2000 SR

Instrument Panel
Figure 08A-110



ITEM	PART NUMBER	QTY	LINE	SERIES	BODY	ENGINE	TRANS	TRIM	DESCRIPTION
21	0MB62JX8AD	1			29				AIR BAG, Passenger Black, Export
	0RW19JX8AB	1							Black
22	34202304	2							NUT, M5x.8, Carrier Attaching
23	04763135	1							SWITCH, Headlamp
	04763596	1			29				Export
24	04763596	1							SEAL, Headlamp Switch, (NOT SERVICED)
-25	04848135	1							KNOB, Head Lamp Switch
	04848136	1			29				Export
-26	05245299AB	1							MODULE, Lighting Control, Instrument Panel Lamp dimming
27	04848798	1							CAP
28	0LB36BX7AD	1							PAD, Instrument Panel Black, Kneeblocker, Right
	0LB36WU-CAD	1							Cognac (Brown), Kneeblocker, Right
29	0LB36WU-CAD	1							WASHER, (NOT SERVICED),
30	0LB36WU-CAD	1							SCREW, [.190-16x2.00], (NOT SERVICED)
-31	04848663	1			27				BEZEL, Security Indicator
		1			29				
-32	04848664	1			27				WIRING, LED Security w/Lens
		1			29				w/Lens

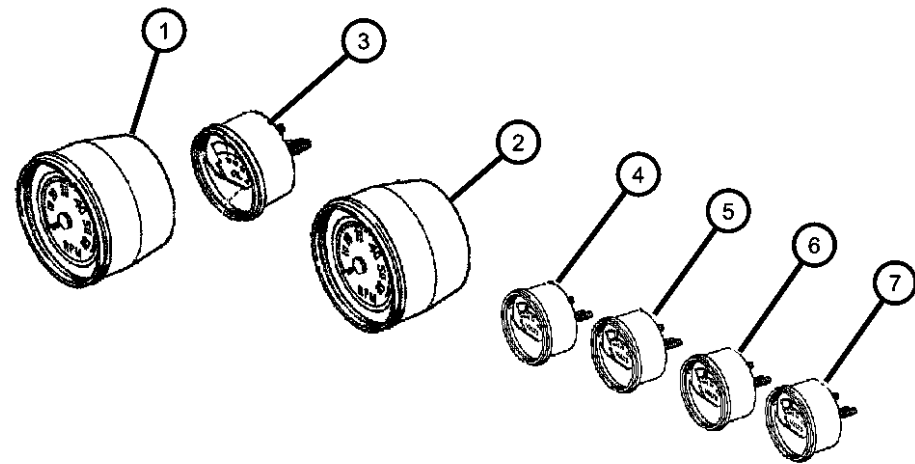
VIPER GTS COUPE,VIPER RT/10 ROADSTER (SR)

SERIES	LINE	BODY	ENGINE	TRANSMISSION
S = RT/10	D = DODGE	27 = 2-DR CONVERTIBLE	EWB = ENGINE - 8.0L V10	DEC = TRANSMISSION - 6-SPEED
S = GTS Coupe		29 = SPECIALTY COUPE	SFI	MANUAL
X = GTS/Lemans			EW0 = All 8.0L Gas	DBB = All Manual

AR = use ase required - = Non illustrated part

2000 SR

Gauge Cluster
Figure 08A-210



ITEM	PART NUMBER	QTY	LINE	SERIES	BODY	ENGINE	TRANS	TRIM	DESCRIPTION
1	04763850AC	1							GAUGE, Speedometer
	04763853AC	1							Export, Canada, Mexico
2	04763851AC	1							GAUGE, Tachometer
3	04865407AA	1							MODULE, Message Center
4	04642133AC	1							GAUGE, Oil Pressure
	04643966AC	1							Export, Canada, Mexico
5	04642134AC	1							GAUGE, Temperature
	04643967AC	1							Export, Canada, Mexico
6	04642135AC	1							GAUGE, Volt
7	04848581AC	1							GAUGE, Fuel
-8	04848154	1							CHIMNEY, Cluster

VIPER GTS COUPE,VIPER RT/10 ROADSTER (SR)

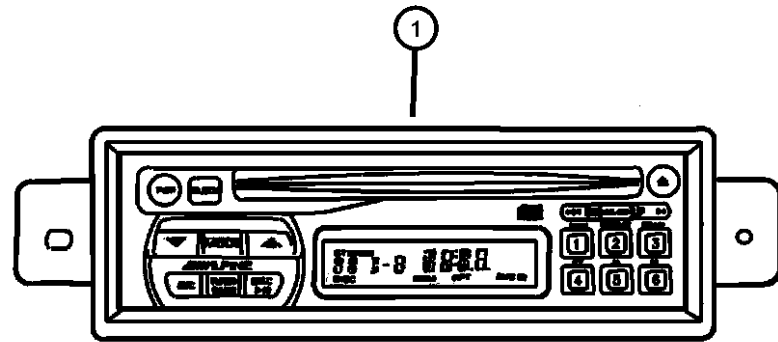
SERIES	LINE	BODY	ENGINE	TRANSMISSION
S = RT/10	D = DODGE	27 = 2-DR CONVERTIBLE	EWB = ENGINE - 8.0L V10	DEC = TRANSMISSION - 6-SPEED
S = GTS Coupe		29 = SPECIALTY COUPE	SFI	MANUAL
X = GTS/Lemans			EW0 = All 8.0L Gas	DBB = All Manual

AR = use ase required - = Non illustrated part

2000 SR

**Radios
Figure 08A-305**

ITEM	PART NUMBER	QTY	LINE	SERIES	BODY	ENGINE	TRANS	TRIM	DESCRIPTION
RBH=PREMIUM, ALPINE STEREO W/CD									
1									RADIO, AM/FM with CD
	04763982AB	1							Sales Code (RBH)
	04848134AB	1			29				Sales Code (RBH), Export
-2	06032723	2							SCREW, Self Tapping, M4.2x1.69x19.05, Radio Attaching
-3	04763136	1							BRACKET, Radio, Rear Mounting



RBH

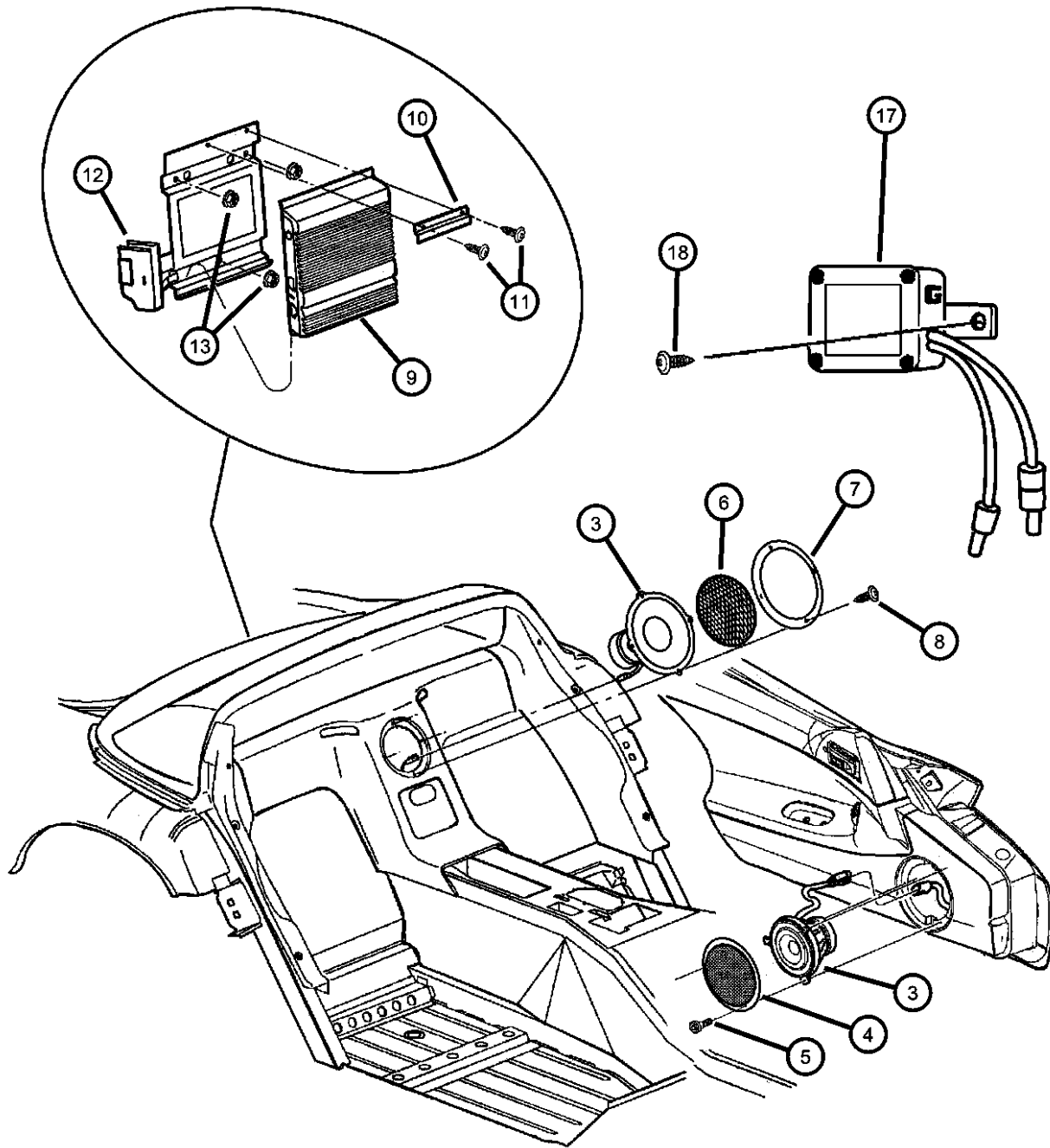
VIPER GTS COUPE,VIPER RT/10 ROADSTER (SR)

SERIES	LINE	BODY	ENGINE	TRANSMISSION
S = RT/10	D = DODGE	27 = 2-DR CONVERTIBLE	EWB = ENGINE - 8.0L V10	DEC = TRANSMISSION - 6-SPEED
S = GTS Coupe		29 = SPECIALTY COUPE	SFI	MANUAL
X = GTS/Lemans			EW0 = All 8.0L Gas	DBB = All Manual

AR = use ase required - = Non illustrated part

2000 SR

Antenna-Speakers
Figure 08A-310



ITEM	PART NUMBER	QTY	LINE	SERIES	BODY	ENGINE	TRANS	TRIM	DESCRIPTION
-1	04763136	1							ANTENNA, Serviced with Windshield, (NOT REQUIRED)
-2	04848850AC	1							COVER, Antenna Opening
3	04848850AC	1							SPEAKER, 6.5", All Speakers Serviced Only By ALPINE Dealer, (NOT SERVICED)
4									GRILLE, Speaker
	0SL12DX9AA	2							Black, Door
	0SL12WU-CAA	2							Cognac, Door
5	0SL12WU-CAA	2							SCREW, [.164-18x1.5] Not Serviced, (NOT SERVICED),
6	04848147	1			27				GRILLE, SpeakerCenter
7	04848147	1							RING, Speaker, (NOT SERVICED)
8	00153749	6				29			SCREW, .164-15x.750Rear Speaker
9	00153749	6							AMPLIFIER, Radio, Serviced Only By ALPINE Dealer, (NOT SERVICED)
10	04848139	1							BRACKET, Amplifier Retainer
11	06100557	2							BOLT AND CONED WASHER, Hex Head, M6x20x14
12	04848137	1							BRACKET, Amplifier
13	34201358	3							NUT AND WASHER, Hex Nut-Sealing Washer, M6 x 1.00
-14	04865432AA	1							CABLE AND GROMMET, ANTENNA
-15	04709110	1							CABLE, Amplifier Box
-16	04709112	1							GROMMET, Antenna Amplifier
17	04709109	1							BOX, Antenna Amplifier
18	04709109	1							SCREW, .190-16X.375, (NOT SERVICED)
-19	04848082	1							HOLDER, Fuse
-20	04854436AA	4			29				PLATE, Speaker, Speaker Delete ACR Package

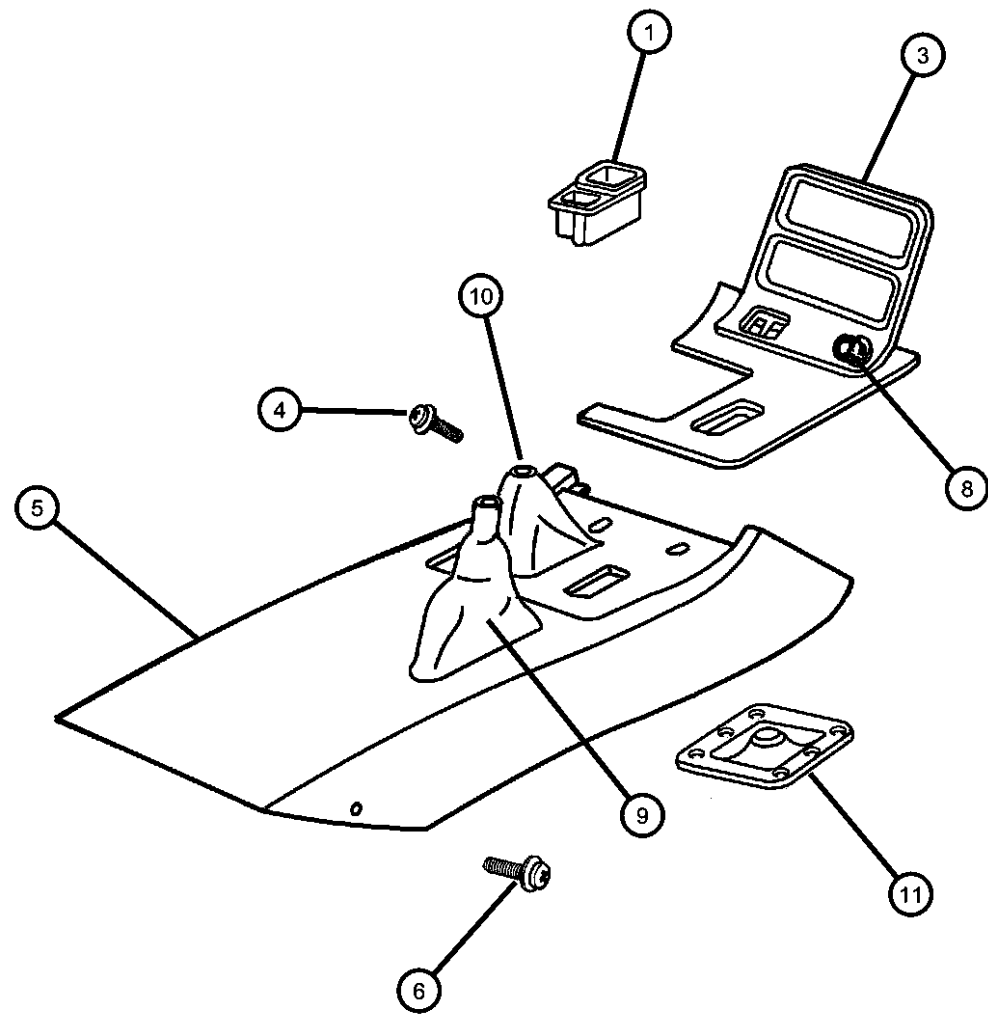
VIPER GTS COUPE,VIPER RT/10 ROADSTER (SR)

SERIES	LINE	BODY	ENGINE	TRANSMISSION
S = RT/10	D = DODGE	27 = 2-DR CONVERTIBLE	EWB = ENGINE - 8.0L V10	DEC = TRANSMISSION - 6-SPEED
S = GTS Coupe		29 = SPECIALTY COUPE	SFI	MANUAL
X = GTS/Lemans			EW0 = All 8.0L Gas	DBB = All Manual

AR = use ase required - = Non illustrated part

2000 SR

**Console
Figure 08A-410**



ITEM	PART NUMBER	QTY	LINE	SERIES	BODY	ENGINE	TRANS	TRIM	DESCRIPTION
1	0D221SX8	1							ASH RECEIVER, Rear Door, Ash (Black)
-2									CLIP, Ash Receiver Retention
	04643872	2			29				
		2			27				
3									BEZEL, Instrument Panel
	0KS79JX8AD	1			29				Black, Center
	0PK84JX8AD	1			27				Black, Center
4	06032723	2							SCREW, Self Tapping, M4.2x1.69x19.05, Console to I/P Carrier Attaching
5									CONSOLE, Front
	0PF251X7AE	1							Black
	0PF25WU-CAE	1							Cognac
6	06505389AA	2							SCREW, Oval Head, Console Assy. Attaching
-7									SHELL, Cigar Lighter
	03747634	1			27				
		1			29				
8	04685536	1							KNOB AND ELEMENT, Cigar Lighter
9									BOOT, Parking Brake Lever
	0PD661X9AD	1							Black
	0PD66WU-CAD	1							Cognac
10	0PD67TX9	1							BOOT, Gearshift, Black
11	04848038	1							BOOT, Gearshift, Inner, Rubber
-12	04854434AA	1			29				NAMEPLATE, Instrument Panel, ACR Plaque

VIPER GTS COUPE,VIPER RT/10 ROADSTER (SR)

SERIES	LINE	BODY	ENGINE	TRANSMISSION
S = RT/10	D = DODGE	27 = 2-DR CONVERTIBLE	EWB = ENGINE - 8.0L V10	DEC = TRANSMISSION - 6-SPEED
S = GTS Coupe		29 = SPECIALTY COUPE	SFI	MANUAL
X = GTS/Lemans			EW0 = All 8.0L Gas	DBB = All Manual

AR = use ase required - = Non illustrated part

Group - 9

Engine Mounting

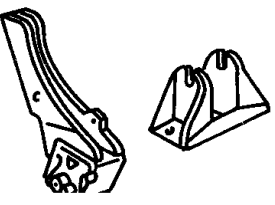
Group - 9 Engine Mounting

Group-Fig. No.

Illustration Title

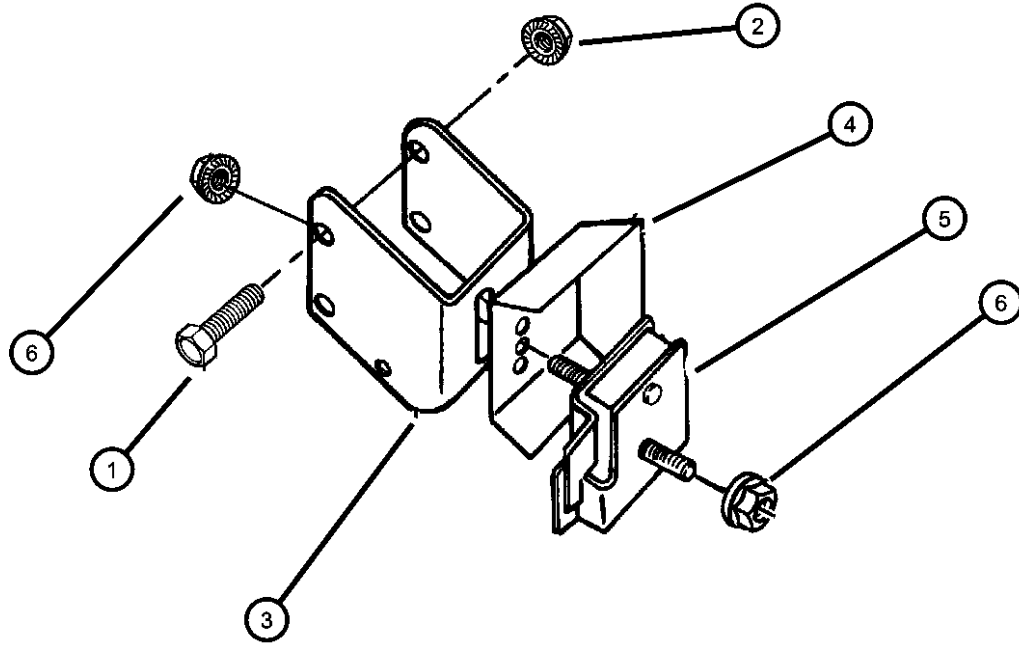
Engine Mounting

Engine Mounting, Front 8.0L Engine	Fig. 9 - 110
Engine Mounting, Rear 8.0L Engine	Fig. 9 - 120

<p>009-100 Engine Mounting</p> 			
--	--	--	--

**Engine Mounting, Front 8.0L Engine
Figure 9-110**

ITEM	PART NUMBER	QTY	LINE	SERIES	BODY	ENGINE	TRANS	TRIM	DESCRIPTION
1	06034523	1				EWB			BOLT, Alternator
2	00152344	4				EWB			NUT, .375-16
3	04796376	2				EWB			BRACKET PACKAGE, Engine Mount
4	53020419	10				EWB			SHIELD, Heat
5									INSULATOR, Engine Mount
	04642617	1				EWB			Left
	04643530	1				EWB			Right
6	06025022	2							NUT AND WASHER, Hex Nut-Coned Washer, .500-13



VIPER GTS COUPE,VIPER RT/10 ROADSTER (SR)

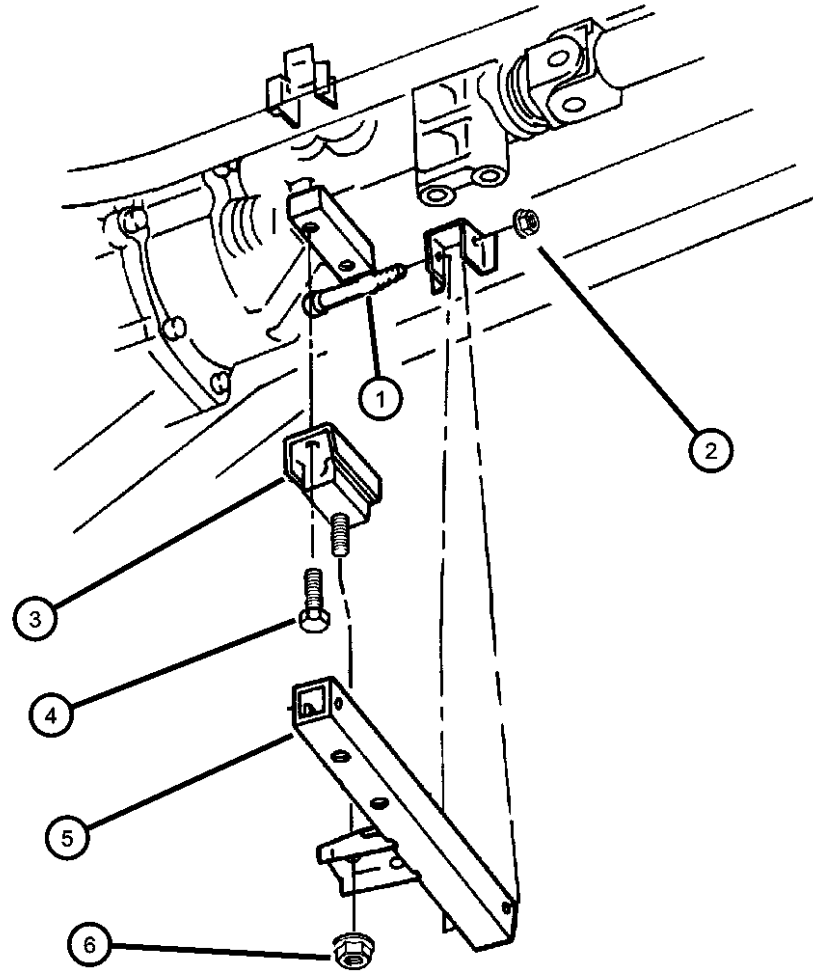
SERIES	LINE	BODY	ENGINE	TRANSMISSION
S = RT/10	D = DODGE	27 = 2-DR CONVERTIBLE	EWB = ENGINE - 8.0L V10	DEC = TRANSMISSION - 6-SPEED
S = GTS Coupe		29 = SPECIALTY COUPE	SFI	MANUAL
X = GTS/Lemans			EW0 = All 8.0L Gas	DBB = All Manual

AR = use ase required - = Non illustrated part

2000 SR

**Engine Mounting, Rear 8.0L Engine
Figure 9-120**

ITEM	PART NUMBER	QTY	LINE	SERIES	BODY	ENGINE	TRANS	TRIM	DESCRIPTION
1	06101707	2							BOLT, M10x1.50x75, Trans. Crossmember to Frame,
2	06502696	2							NUT, Hex Flange Lock, M10x1.5, Trans. Crossmember to Frame, MOUNT, Transmission
3	04643318	1							SCREW AND WASHER, Hex Head, M10x1.5x45
4	06501596	2							CROSSMEMBER, Transmission
5	04763813	1							NUT, Hex Flange Lock, M10x1.5, Mount to Trans. Crossmember,
6	06502696	1							



VIPER GTS COUPE,VIPER RT/10 ROADSTER (SR)

SERIES	LINE	BODY	ENGINE	TRANSMISSION
S = RT/10	D = DODGE	27 = 2-DR CONVERTIBLE	EWB = ENGINE - 8.0L V10	DEC = TRANSMISSION - 6-SPEED
S = GTS Coupe		29 = SPECIALTY COUPE	SFI	MANUAL
X = GTS/Lemans			EW0 = All 8.0L Gas	DBB = All Manual

AR = use ase required - = Non illustrated part

2000 SR

Group - 8.0L

Engine 8.0L Ten Cylinder

Group - 8.0L Engine 8.0L Ten Cylinder

Illustration Title

Group-Fig. No.

Engine Identification

I.D. Location 8.0L Engine..... Fig. 8.0L - 110

Cylinder Head

Cylinder Head 8.0L Engine..... Fig. 8.0L - 210

Cylinder Block

Cylinder Block 8.0L Engine..... Fig. 8.0L - 310

Crankshaft, Piston and Torque Converter

Crankshaft and Pistons 8.0L Engine..... Fig. 8.0L - 410

Camshafts & Valves

Camshafts and Valves 8.0L Engine..... Fig. 8.0L - 510

Timing Belt and Cover

Timing Belt and Cover 8.0L Engine..... Fig. 8.0L - 610

Engine Oiling

Engine Oiling 8.0L Engine..... Fig. 8.0L - 710

Manifolds

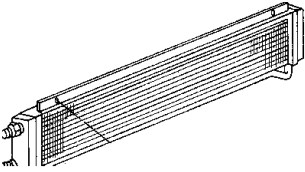
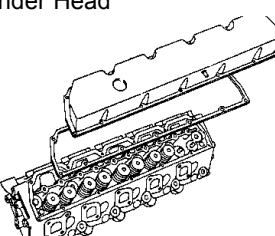
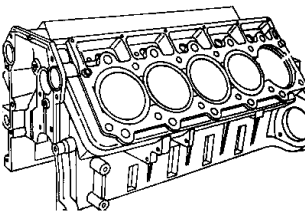
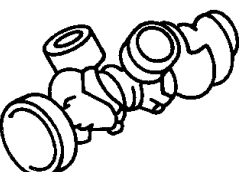
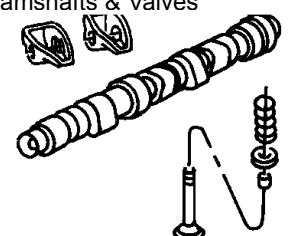
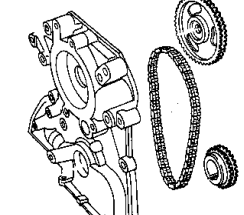
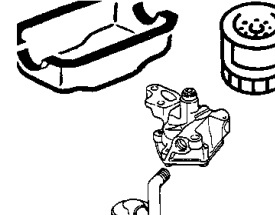
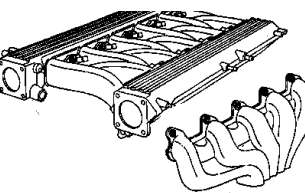
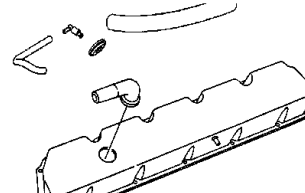
Manifolds, Intake and Exhaust 8.0L Engine..... Fig. 8.0L - 810

Crankcase Ventilation

Crankcase Ventilation 8.0L Engine..... Fig. 8.0L - 910

Oil Cooler

Oil Cooler 8.0L Engine..... Fig. 8.0L - 1110

<p>8.0L-100 Engine Identification</p> <table border="1"> <tr> <td>X Model Year</td> <td>X Manufacturing Plant</td> <td>XXXXX Component Code/Usage</td> <td>XXXX Month/Day</td> <td>XXXXXXXX Serial Code</td> </tr> <tr> <td>Last digit of model year</td> <td>S Saffilo S T Trenton T K Tokyo K</td> <td>Engine 3.3L - 3.8L Usage Pass Car PC Truck T</td> <td></td> <td>Last 8 Digits of VIN</td> </tr> </table>	X Model Year	X Manufacturing Plant	XXXXX Component Code/Usage	XXXX Month/Day	XXXXXXXX Serial Code	Last digit of model year	S Saffilo S T Trenton T K Tokyo K	Engine 3.3L - 3.8L Usage Pass Car PC Truck T		Last 8 Digits of VIN	<p>8.0L-1100 Oil Cooler</p> 	<p>8.0L-200 Cylinder Head</p> 	<p>8.0L-300 Cylinder Block</p> 
X Model Year	X Manufacturing Plant	XXXXX Component Code/Usage	XXXX Month/Day	XXXXXXXX Serial Code									
Last digit of model year	S Saffilo S T Trenton T K Tokyo K	Engine 3.3L - 3.8L Usage Pass Car PC Truck T		Last 8 Digits of VIN									
<p>8.0L-400 Crankshaft, Piston and Torque Converter</p> 	<p>8.0L-500 Camshafts & Valves</p> 	<p>8.0L-600 Timing Belt and Cover</p> 	<p>8.0L-700 Engine Oiling</p> 										
<p>8.0L-800 Manifolds</p> 	<p>8.0L-900 Crankcase Ventilation</p> 												

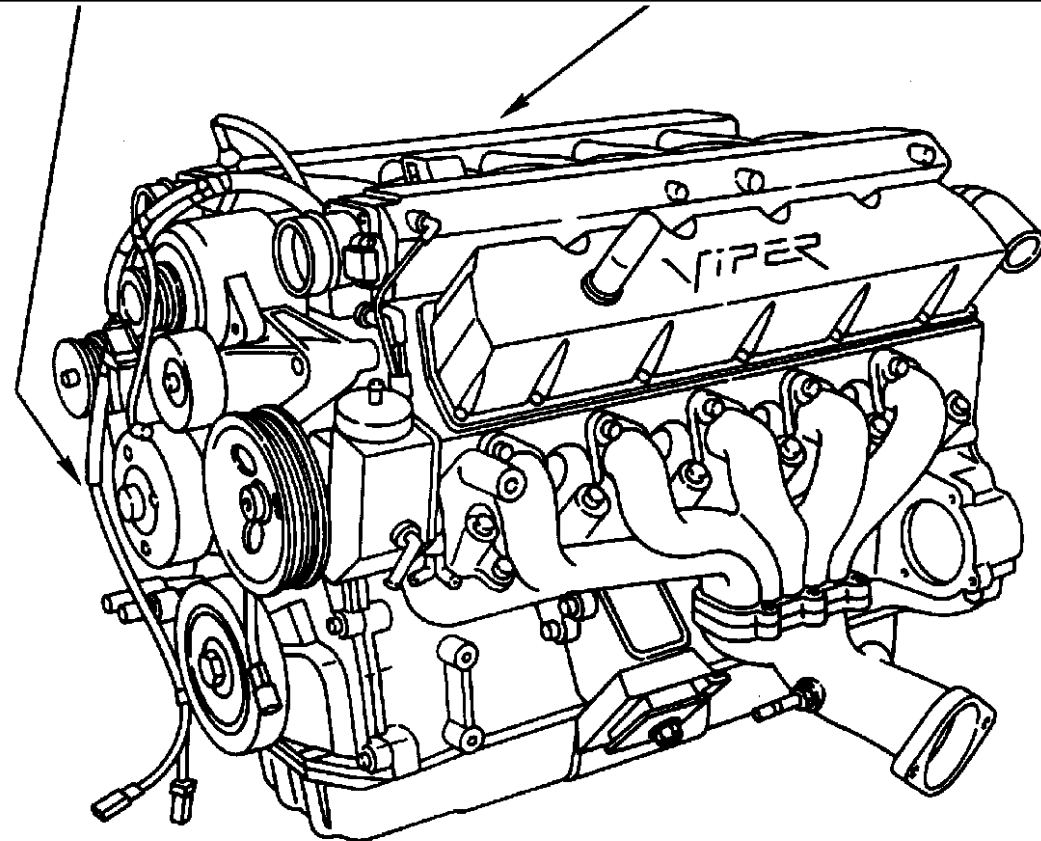
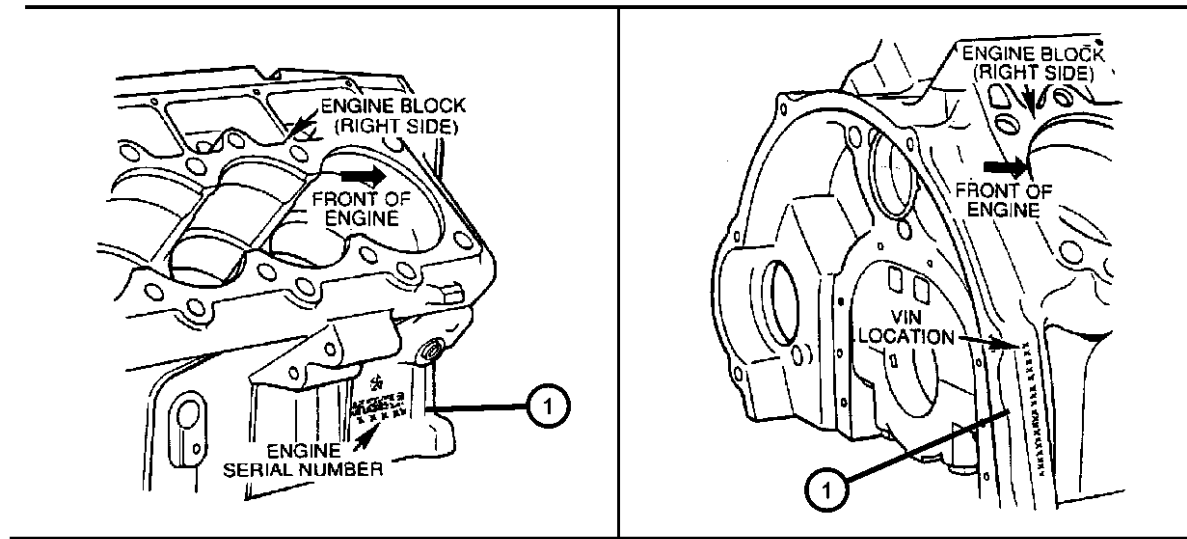
I.D. Location 8.0L Engine
Figure 8.0L-110

ITEM	PART NUMBER	QTY	LINE	SERIES	BODY	ENGINE	TRANS	TRIM	DESCRIPTION
------	-------------	-----	------	--------	------	--------	-------	------	-------------

VIN Number located on right rear side of cylinder block in front of clutch housing. SERIAL Number located on right lower front of cylinder block above

1 06502696 1

LABEL, Engine Identification, (NOT SERVICED)



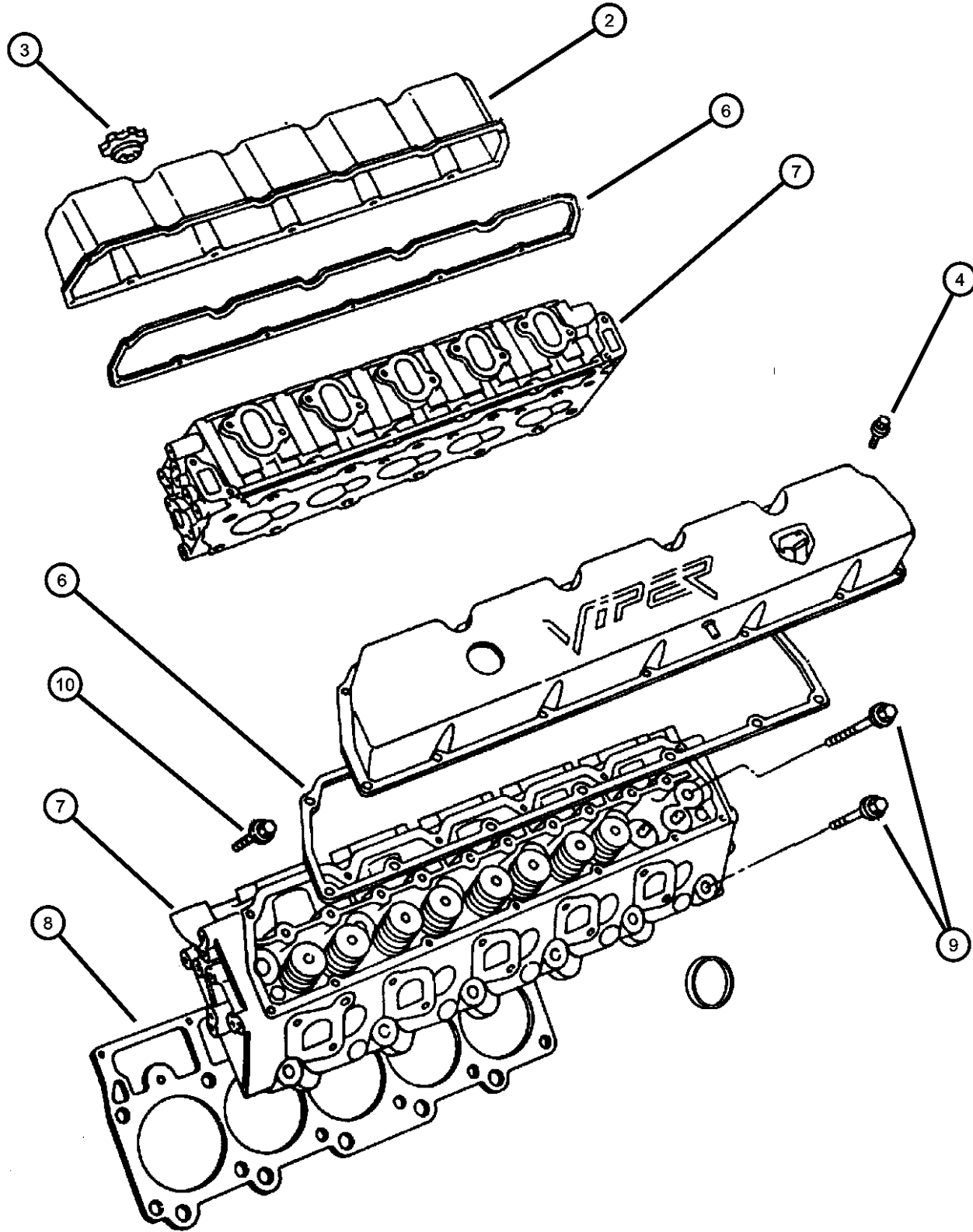
VIPER GTS COUPE,VIPER RT/10 ROADSTER (SR)

SERIES	LINE	BODY	ENGINE	TRANSMISSION
S = RT/10	D = DODGE	27 = 2-DR CONVERTIBLE	EWB = ENGINE - 8.0L V10	DEC = TRANSMISSION - 6-SPEED
S = GTS Coupe		29 = SPECIALTY COUPE	SFI	MANUAL
X = GTS/Lemans			EW0 = All 8.0L Gas	DBB = All Manual

AR = use ase required - = Non illustrated part

2000 SR

**Cylinder Head 8.0L Engine
Figure 8.0L-210**



ITEM	PART NUMBER	QTY	LINE	SERIES	BODY	ENGINE	TRANS	TRIM	DESCRIPTION
Note: EWB = 8.0L V-10 SFI Engine									
-1	04882950AC	1				EWB			GASKET PACKAGE, Engine Upper
2									COVER, Cylinder Head
	04763754AC	1				EWB			Right
	04763755AC	1				EWB			Left
3	05245081	1				EWB			CAP, Oil Filler
4	06035666	26				EWB			SCREW, Hex Flange Head, .25-20x1.00
-5	06036215AA	5				EWB			STUD, [.25-20x1.8], Wire Separator
6	05245095	2				EWB			GASKET, Valve Cover
7	04763724AB	2				EWB			HEAD, Cylinder
8	04763749	2				EWB			GASKET, Cylinder Head
9	06035471	24				EWB			BOLT, Cylinder Head
10	06035666	12				EWB			SCREW, Hex Flange Head, .25-20x1.00

VIPER GTS COUPE,VIPER RT/10 ROADSTER (SR)

SERIES	LINE	BODY	ENGINE	TRANSMISSION
S = RT/10	D = DODGE	27 = 2-DR CONVERTIBLE	EWB = ENGINE - 8.0L V10	DEC = TRANSMISSION - 6-SPEED
S = GTS Coupe		29 = SPECIALTY COUPE	SFI	MANUAL
X = GTS/Lemans			EW0 = All 8.0L Gas	DBB = All Manual

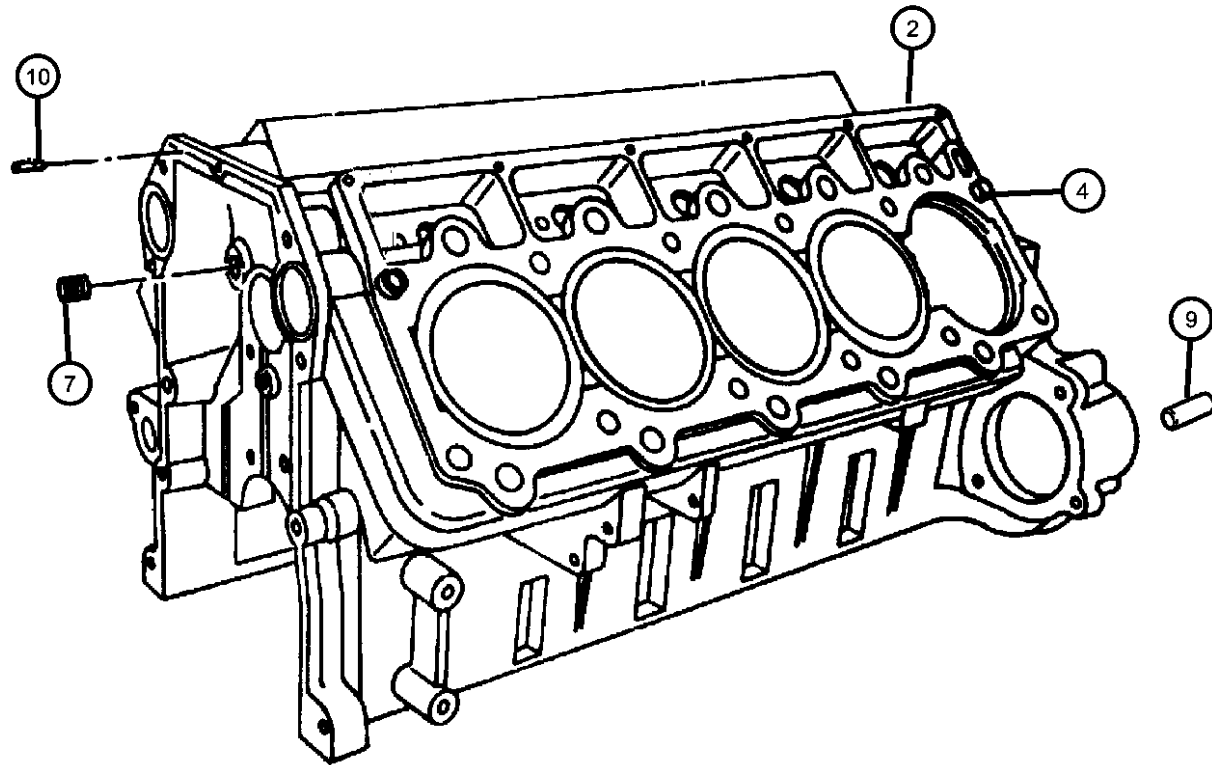
AR = use ase required - = Non illustrated part

**Cylinder Block 8.0L Engine
Figure 8.0L-310**

ITEM	PART NUMBER	QTY	LINE	SERIES	BODY	ENGINE	TRANS	TRIM	DESCRIPTION
------	-------------	-----	------	--------	------	--------	-------	------	-------------

NOTES: Sales Code
[EWB] = 8.0L V-10 SFI Engine

-1	04882951AD	1				EWB			GASKET PACKAGE, Engine Lower
2	05004038AB	1				EWB			BLOCK, Cylinder
	05127394AA								Mopar 0W-40 Mobil 1 Engine Oil
-3	05037010AC	1				EWB			BLOCK, Short, Bare
	05127394AA								Mopar 0W-40 Mobil 1 Engine Oil
4	J4005149	4				EWB			DOWEL, Oil Pump, [.620DX.50]
-5	05245055	2				EWB			DOWEL, Front Cover, 10MM
-6	05245058	2				EWB			DOWEL, Rear Oil Seal Retainer, [.250]
7	06034166	1				EWB			PLUG, Cylinder Block Oil Hole, [.375-18X.425]
-8	05245071	1				EWB			PLUG, Camshaft, Core 2.375 Thick
9	04429678	2				EWB			PIN, Dowel
10	06035469	8				EWB			STUD, .562-12x5.670
-11	06035470	12				EWB			BOLT, Bearing Cap [.375-16X2.250]
	06035665	4				EWB			[.500-13X4.250]



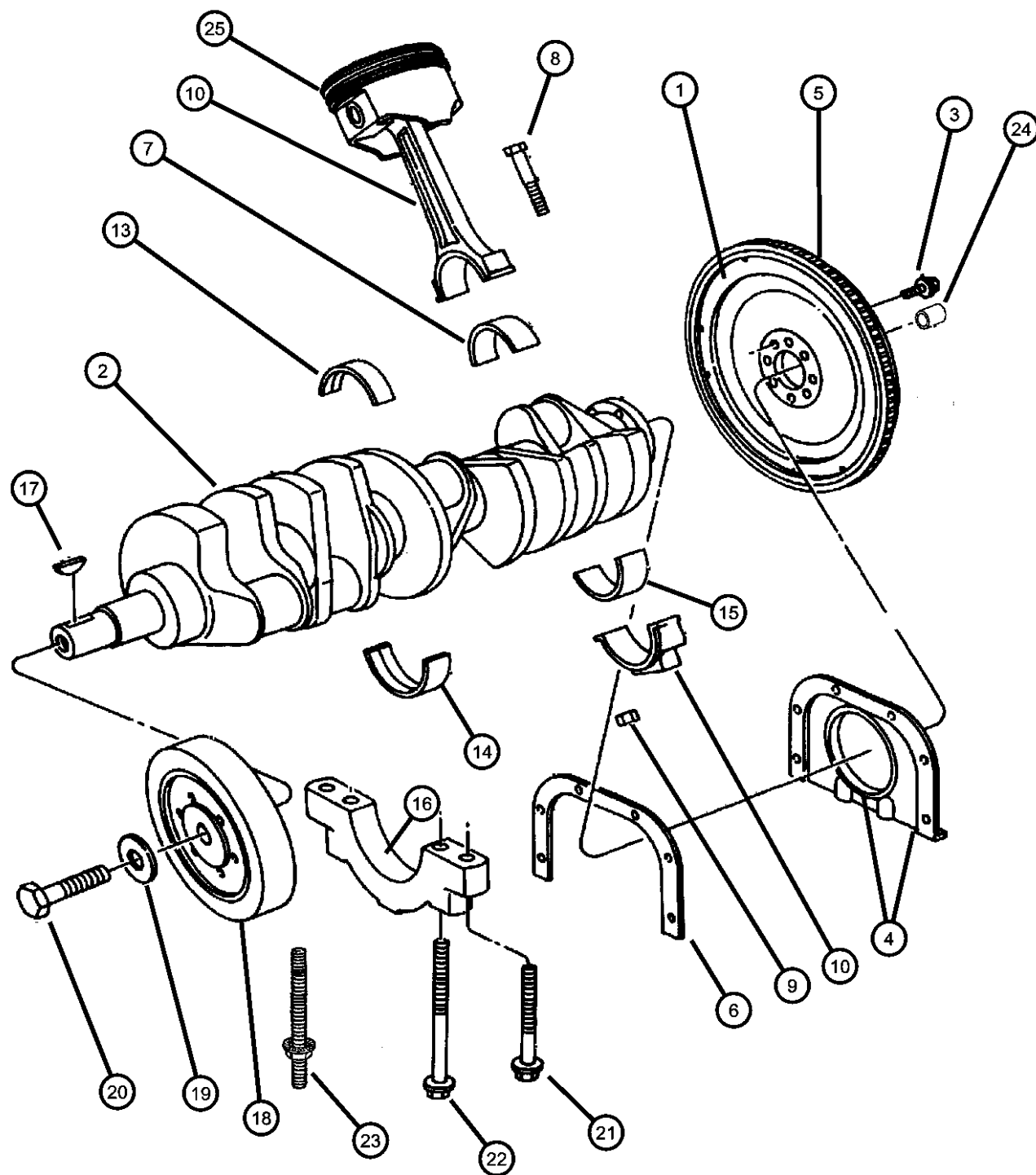
VIPER GTS COUPE,VIPER RT/10 ROADSTER (SR)

SERIES	LINE	BODY	ENGINE	TRANSMISSION
S = RT/10	D = DODGE	27 = 2-DR CONVERTIBLE	EWB = ENGINE - 8.0L V10	DEC = TRANSMISSION - 6-SPEED
S = GTS Coupe		29 = SPECIALTY COUPE	SFI	MANUAL
X = GTS/Lemans			EW0 = All 8.0L Gas	DBB = All Manual

AR = use ase required - = Non illustrated part

2000 SR

**Crankshaft and Pistons 8.0L Engine
Figure 8.0L-410**



ITEM	PART NUMBER	QTY	LINE	SERIES	BODY	ENGINE	TRANS	TRIM	DESCRIPTION
NOTES: Sales Code [EWB] = 8.0L V-10 SFI Engine									
1	04643416AB	1				EWB			FLYWHEEL
2	04848733AC	1				EWB			CRANKSHAFT
3	06035811	8				EWB			BOLT, Hex Head, .437-20x1.50
4	04763726	1				EWB			RETAINER, Crankshaft Rear Oil Seal
5	04428037	1				EWB			GEAR, Ring
6	05245072AB	1				EWB			GASKET, Rear Oil Seal Retainer
7	02421305	10				EWB	DBB		BEARING, Connecting Rod, STD.
8	05037004AA	10				EWB			BOLT, Connecting Rod
9	05037000AA	10				EWB			NUT, Hex, .375-24
10									PISTON PIN AND ROD, STD
	05016976AA	AR				EWB			Standard, Right
	05016977AA	AR				EWB			Standard, Left
-11									PISTON PIN AND ROD, .010" O/S
	05016978AA	AR				EWB			[.010 Oversize], Right
	05016979AA	AR				EWB			[.010 Oversize], Left
-12									PISTON PIN AND ROD, .020" O/S
	05016980AA	AR				EWB			[.020 Oversize], Right
	05016981AA	AR				EWB			[.020 Oversize], Left
13									BEARING PACKAGE, Crankshaft, Main
	04883681AA	AR				EWB			Standard, +.030 Outside Diameter
	04883682AA	AR				EWB			[.001 Undersize +.30 Outside Diameter]
	04883683AA	AR				EWB			[.002 Undersize +.30 Outside Diameter]
	04883684AA	AR				EWB			[.010 Undersize +.30 Outside Diameter]
14									BEARING PACKAGE, Crankshaft
	04883685AA	AR				EWB			[Standard, +.030 Outside Diameter], Thrust
	04883686AA	AR				EWB			[.001 Undersize +.030 Outside Diameter], Thrust
	04883687AA	AR				EWB			[.002 Undersize +.030 Outside Diameter], Thrust
	04883688AA	AR				EWB			[.020 Undersize +.030 Outside Diameter], Thrust
15									BEARING PACKAGE, Crankshaft, Standard

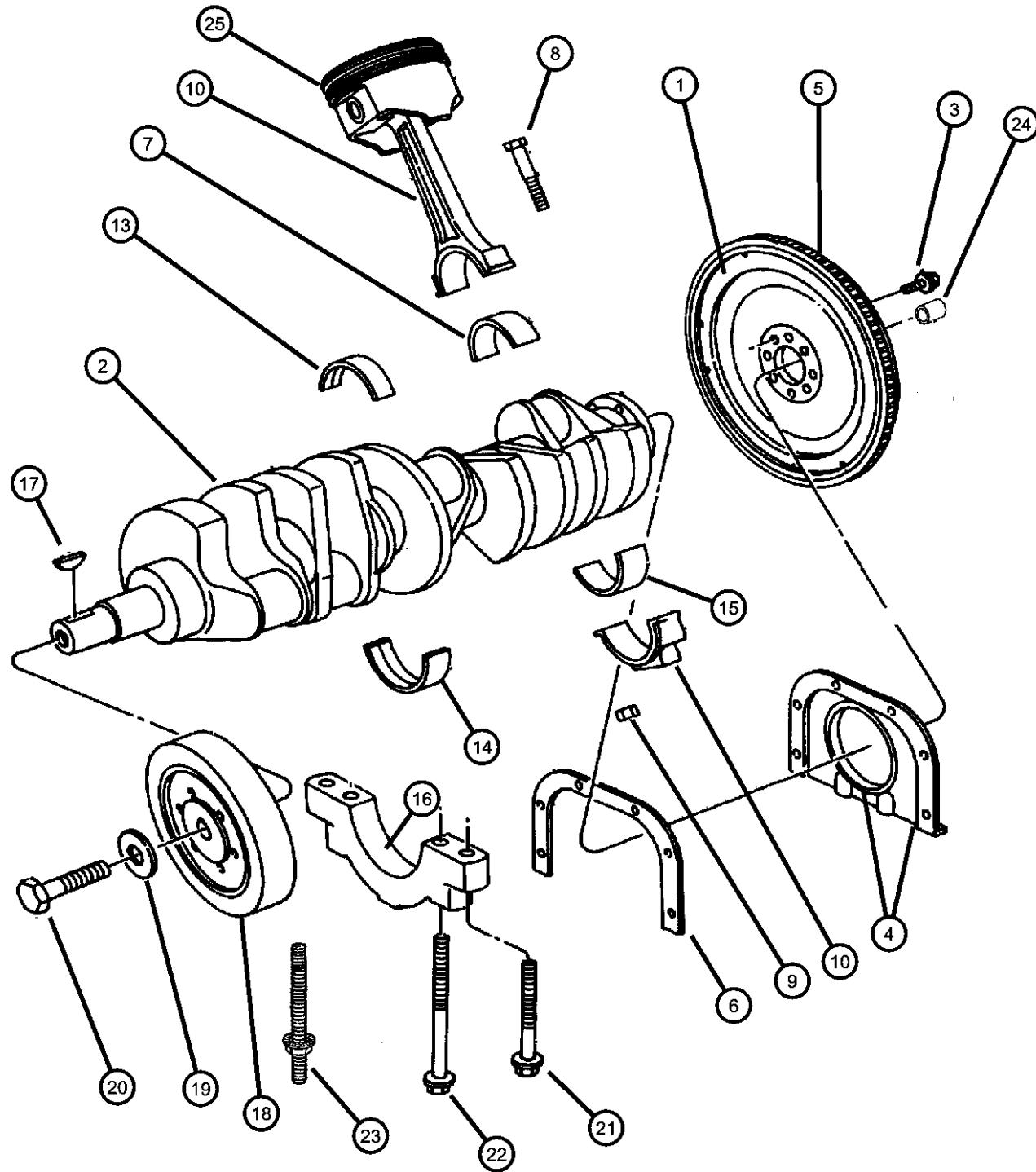
VIPER GTS COUPE,VIPER RT/10 ROADSTER (SR)

SERIES	LINE	BODY	ENGINE	TRANSMISSION
S = RT/10	D = DODGE	27 = 2-DR CONVERTIBLE	EWB = ENGINE - 8.0L V10	DEC = TRANSMISSION - 6-SPEED
S = GTS Coupe		29 = SPECIALTY COUPE	SFI	MANUAL
X = GTS/Lemans			EW0 = All 8.0L Gas	DBB = All Manual

AR = use ase required - = Non illustrated part

2000 SR

**Crankshaft and Pistons 8.0L Engine
Figure 8.0L-410**



ITEM	PART NUMBER	QTY	LINE	SERIES	BODY	ENGINE	TRANS	TRIM	DESCRIPTION
	04723536	1				EWB			[#1-2-4-5-6-Magenta]
	04723538	AR				EWB			[#1-2-4-5-6-White/Clear]
	04723541	AR				EWB			[#1-2-4-5-6-Orange]
	04740292	AR				EWB			[#1-2-4-5-6-Black]
	04883374AA	AR				EWB			[#1-2-4-5-6-Yellow]
16									BEARING PACKAGE, Crankshaft Thrust, Standard Size
	04723537	AR				EWB			Magenta
	04723540	1				EWB			White/Clear
	04723542	AR				EWB			Orange
	04740293	AR				EWB			Black
	04883375AA	AR				EWB			Yellow
17	06034749	1				EWB			KEY, Crankshaft Sprocket
18	05245110	1				EWB			DAMPER, Crankshaft
19	06034504	1				EWB			WASHER, Flat, .78x1.94
20	06034505	1				EWB			SCREW, Hex Head, .75-16x2.25
21	06035470	12				EWB			BOLT, Bearing Cap
22	06035665	4				EWB			BOLT, Bearing Cap
23	06035469	8				EWB			STUD, .562-12x5.670
24	53009181AB	1				EWB			BEARING, Pilot
25	05016985AA	1				EWB			PISTON RING SET, COMPLETE ENGINE, STD.

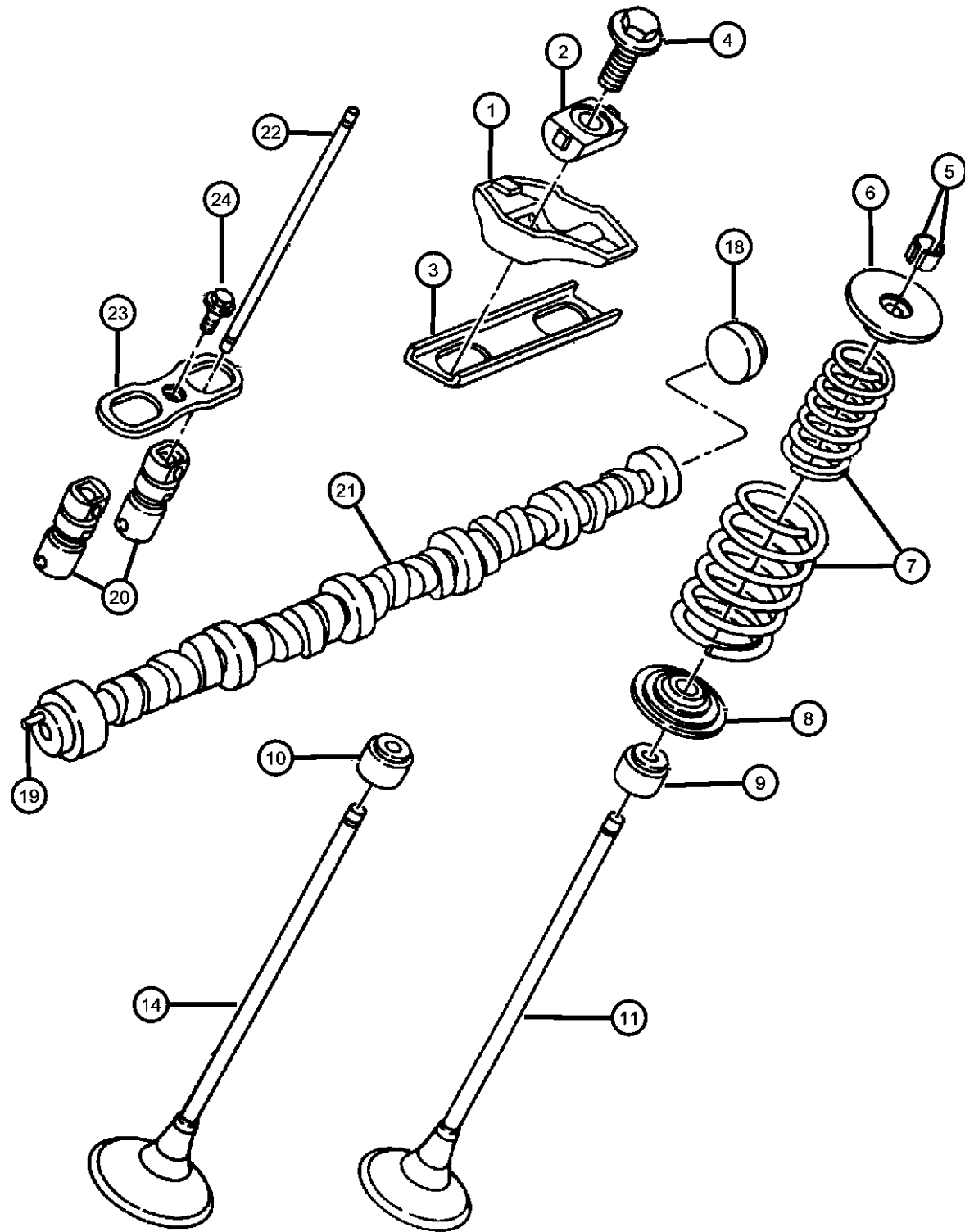
VIPER GTS COUPE,VIPER RT/10 ROADSTER (SR)

SERIES	LINE	BODY	ENGINE	TRANSMISSION
S = RT/10	D = DODGE	27 = 2-DR CONVERTIBLE	EWB = ENGINE - 8.0L V10	DEC = TRANSMISSION - 6-SPEED
S = GTS Coupe		29 = SPECIALTY COUPE	SFI	MANUAL
X = GTS/Lemans			EW0 = All 8.0L Gas	DBB = All Manual

AR = use ase required - = Non illustrated part

2000 SR

**Camshafts and Valves 8.0L Engine
Figure 8.0L-510**



ITEM	PART NUMBER	QTY	LINE	SERIES	BODY	ENGINE	TRANS	TRIM	DESCRIPTION
NOTES: Sales Code [EWB] = 8.0L V10 SFI									
1	05245335	20				EWB			ROCKER ARM, Valve
2	05245336	20				EWB			PIVOT, Rocker Arm
3	04848550	10				EWB			RETAINER, Rocker Arm Pedestal
4	06034499	20				EWB			BOLT, Hex Flange Head, .375-16x1.50
5	33003521	20				EWB			LOCK, Valve Spring Retainer
6	05245374	20				EWB			RETAINER, Valve Spring
7	04761616	20				EWB			SPRING PACKAGE, Valve
8	05245162	20				EWB			SEAT, Valve Spring
9	53009886	10				EWB			SEAL, Valve Guide, Intake
10	53009887	10				EWB			SEAL, Valve Guide, Exhaust
11	04763747	10				EWB			VALVE, Intake, Standard
-12	04883699AA	AR				EWB			VALVE, Intake, .003" O/S, Orange
-13	04883700AA	AR				EWB			VALVE, Intake, .015" O/S, Orange
14	04763748	10				EWB			VALVE, Exhaust, Standard
-15	04883702AA	AR				EWB			VALVE, Exhaust, .005" O/S, Orange
-16	04883703AA	AR				EWB			VALVE, Exhaust, .015" O/S, Orange
-17	05096010AA	AR				EWB			INSERT, Valve Guide
18	05245071	1				EWB			PLUG, Camshaft
19	00141195	1				EWB			DOWEL, .25x.62
20	05004042AA	20				EWB			TAPPET, Hyd. Roller
21									CAMSHAFT, Engine
	04763708AC	1				EWB			[+.005 Stem - Orange], Standard
	05016989AA	1				EWB			[+.003 Oversize Journal - Orange], Standard
	05016990AA	1				EWB			[+.030 Oversize Journal - White], Standard
22	04848548AC	20				EWB			PUSH ROD, Valve
23	05245169	10				EWB			YOKE, Tappet Aligning
24	05245170	10				EWB			BOLT, .25-20x.88

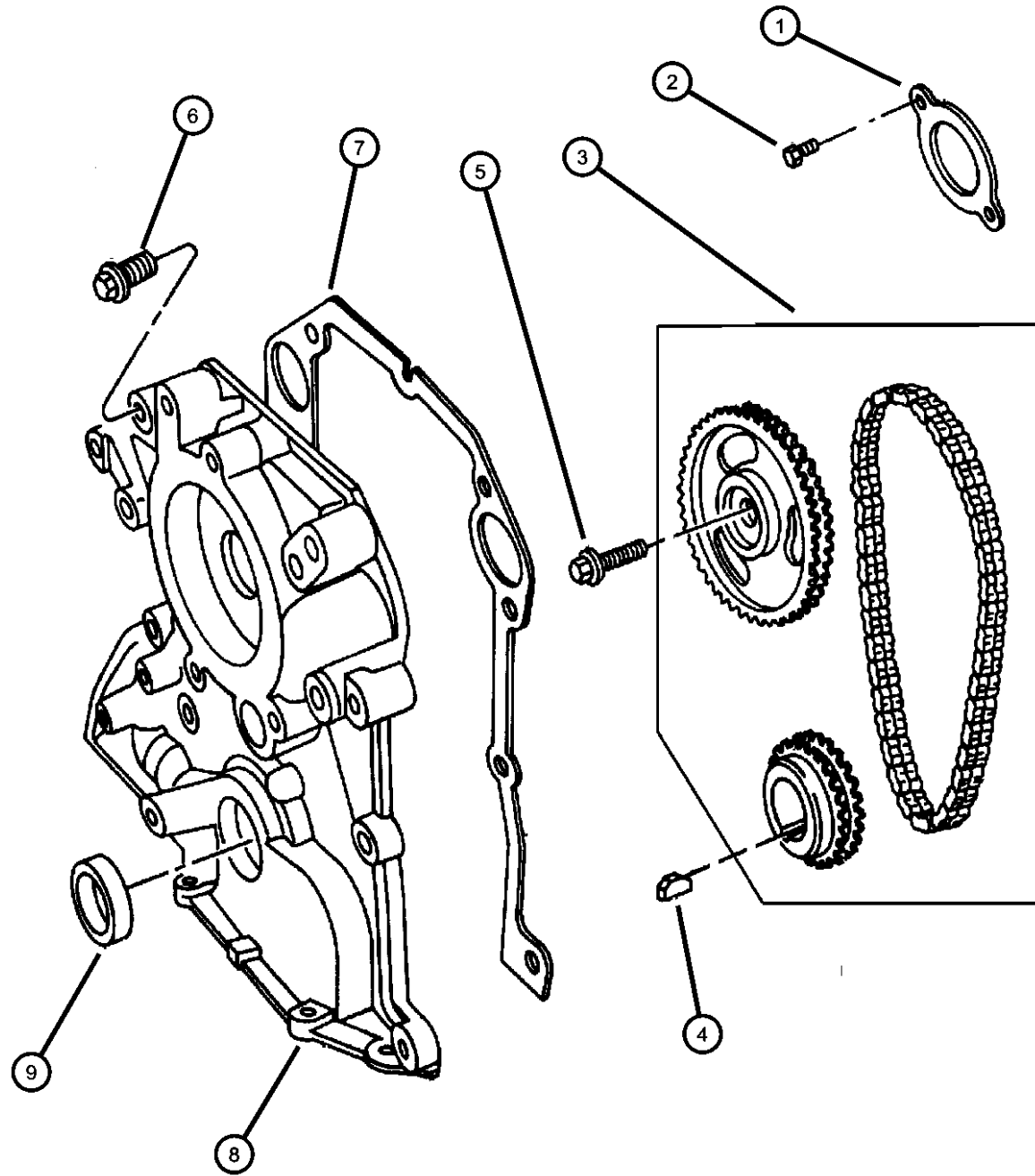
VIPER GTS COUPE,VIPER RT/10 ROADSTER (SR)

SERIES	LINE	BODY	ENGINE	TRANSMISSION
S = RT/10	D = DODGE	27 = 2-DR CONVERTIBLE	EWB = ENGINE - 8.0L V10	DEC = TRANSMISSION - 6-SPEED
S = GTS Coupe		29 = SPECIALTY COUPE	SFI	MANUAL
X = GTS/Lemans			EW0 = All 8.0L Gas	DBB = All Manual

AR = use ase required - = Non illustrated part

**Timing Belt and Cover 8.0L Engine
Figure 8.0L-610**

ITEM	PART NUMBER	QTY	LINE	SERIES	BODY	ENGINE	TRANS	TRIM	DESCRIPTION
Note: EWB = 8.0L V-10 SFI Engine									
1	05245359	1				EWB			PLATE, Camshaft Thrust
2	00220800	2				EWB			SCREW, Hex Head, .312-18x.75
3	04863827	AR				EWB			CHAIN PACKAGE, Timing
4	06034749	1				EWB			KEY, Crankshaft Sprocket
5	06024035	1				EWB			BOLT, Hex Head, .375-14x1.75
6	06035558	9				EWB			SCREW, Hex Flange Head, .375-16x1.50
7	04763745AB	1				EWB			GASKET, Chain Case Cover
8	04763731AF	1				EWB			COVER, Timing Case
9	05245135	1				EWB			SEAL, Rear Main Crankshaft

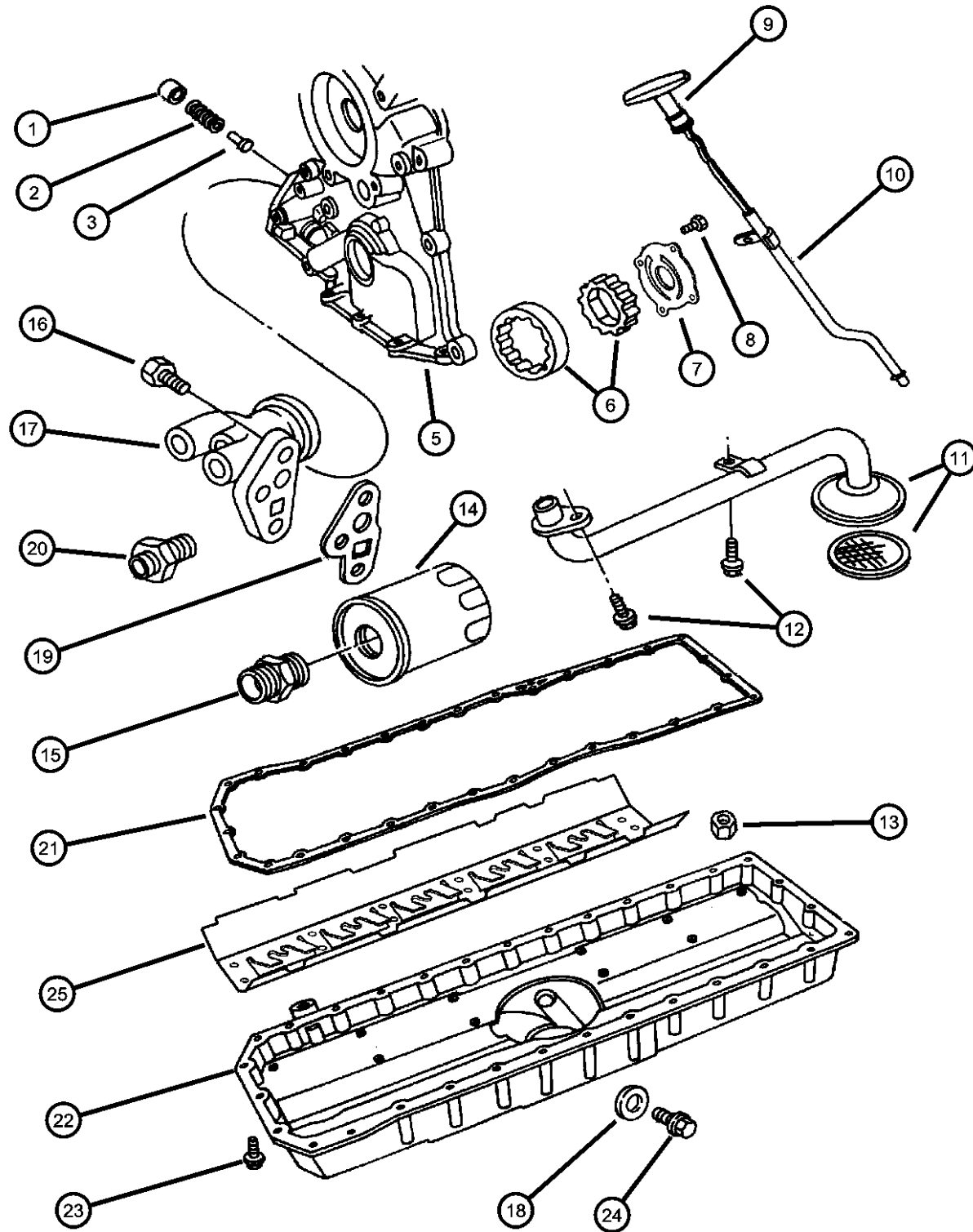


VIPER GTS COUPE,VIPER RT/10 ROADSTER (SR)

SERIES	LINE	BODY	ENGINE	TRANSMISSION
S = RT/10	D = DODGE	27 = 2-DR CONVERTIBLE	EWB = ENGINE - 8.0L V10	DEC = TRANSMISSION - 6-SPEED
S = GTS Coupe		29 = SPECIALTY COUPE	SFI	MANUAL
X = GTS/Lemans			EW0 = All 8.0L Gas	DBB = All Manual

AR = use ase required - = Non illustrated part

**Engine Oiling 8.0L Engine
Figure 8.0L-710**



ITEM	PART NUMBER	QTY	LINE	SERIES	BODY	ENGINE	TRANS	TRIM	DESCRIPTION
1	02806273	2				EWB			CAP, Oil Pressure Relief Valve, 27
2	04848785	1				EWB			SPRING, Oil Pressure Relief Valve
3	04848786	1				EWB			VALVE, Oil Cooler Pressure
-4	02843208AB	2				EWB			PLUNGER, Oil Pressure Relief Valve, Serviced in Case Cover COVER, Timing Case
5	04763731AF	1				EWB			ROTOR SET, Oil Pump
6	05245525	1				EWB			COVER, Engine Oil Pump
7	05245128	1				EWB			SCREW, Torx Head, .25-20x.75
8	06034475	4				EWB			INDICATOR, Engine Oil Level
9	04763791AD	1				EWB			TUBE, Engine Oil Indicator
10	04763792AC	1				EWB			PICKUP, Engine Oil
11	04763740	1				EWB			SCREW, Pan Head, .19-24x.5
12	00154601	8				EWB			NUT, Hex, .250-20
13	J0120375	8				EWB			FILTER, Engine Oil
14	05281090	1				EWB			Canadian Aftermarket Part
	0FE00292								BULK PACK (12)
	05281090BA								Performance Mobil 1, 15W - 50 Tri-Synthetic Engine Oil- Recommended Fill for 6.1L & 8.3L
	77060018								Performance Mobil 1, 5W - 30 Tri-Synthetic Engine Oil, Quart
	P5007323								CONNECTOR, Oil Filter
15	53007563	1				EWB			SCREW, Hex Flange Head, .25-20x1.00
16	06035666	6				EWB			ADAPTER, Oil Filter
17									[ARC]
	04886503AC	1				EWB			SEAL, Drain Plug
	04886503AD	1				EWB			GASKET, Oil Filter Adapter
18	04763738	1				EWB			CONNECTOR, Engine Oil Cooler
19	05245086AC	1				EWB			GASKET, Oil Pan
20	04848331AC	1				EWB			PAN, Engine Oil
21	04763737AB	1				EWB			SCREW, Hex Flange Head, .25-20x1.00
22	04763744AC	1				EWB			PLUG, Oil Drain
23	06035666	26				EWB			TRAY, Windage
24	04763739	1				EWB			SEAL, Rear Main Crankshaft
25	04848705AC	1				EWB			
-26	05245324	1				EWB			

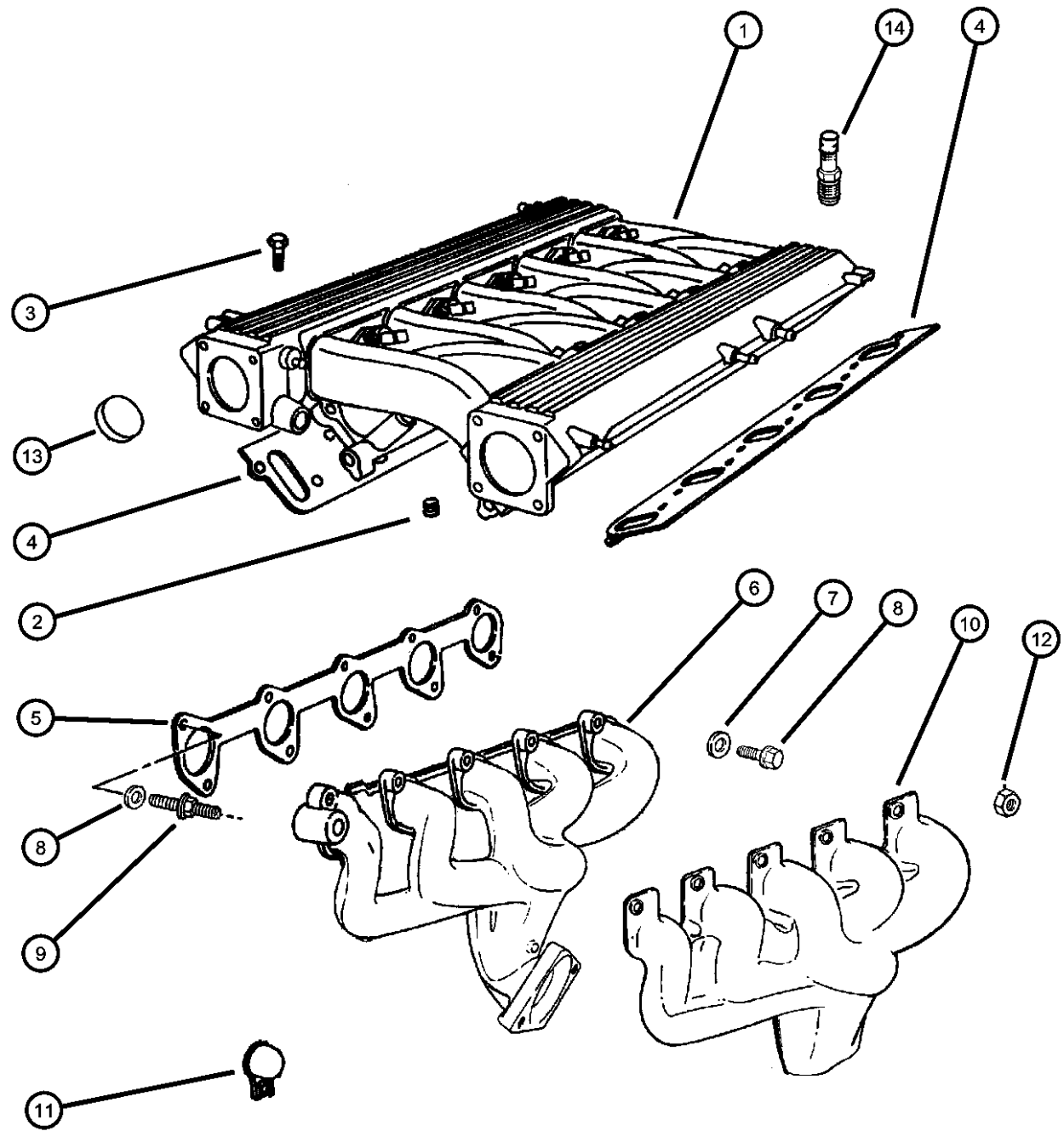
VIPER GTS COUPE,VIPER RT/10 ROADSTER (SR)

SERIES	LINE	BODY	ENGINE	TRANSMISSION
S = RT/10	D = DODGE	27 = 2-DR CONVERTIBLE	EWB = ENGINE - 8.0L V10	DEC = TRANSMISSION - 6-SPEED
S = GTS Coupe		29 = SPECIALTY COUPE	SFI	MANUAL
X = GTS/Lemans			EW0 = All 8.0L Gas	DBB = All Manual

AR = use ase required - = Non illustrated part

2000 SR

**Manifolds, Intake and Exhaust 8.0L Engine
Figure 8.0L-810**



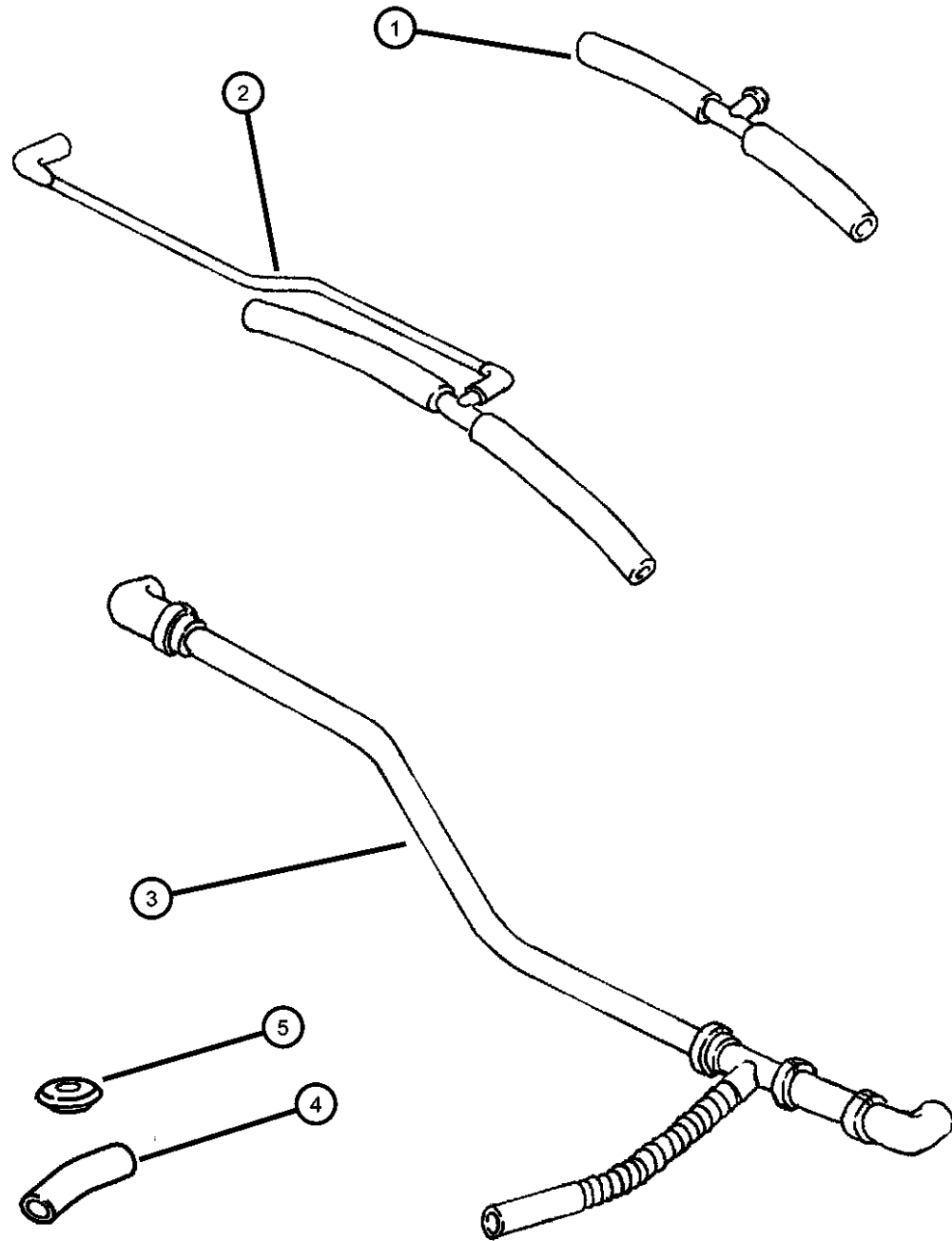
ITEM	PART NUMBER	QTY	LINE	SERIES	BODY	ENGINE	TRANS	TRIM	DESCRIPTION
1	04763758AB	1				EWB			MANIFOLD, Intake
2	06034166	1				EWB			PLUG, Cylinder Block Oil Hole
3	06035666	20				EWB			SCREW, Hex Flange Head, .25-20x1.00
4	05245194AB	2				EWB			GASKET, Intake Manifold
5	05004014AA	2				EWB			GASKET, Exhaust Manifold
6									MANIFOLD, Exhaust
	04848341	1				EWB			Left
	04848342	1				EWB			Right
7	06034595	20				EWB			WASHER, Coned, .340 x .750 x .180
8	00154881AA	14				EWB			BOLT, Hex Head
9	06036066AA	6				EWB			STUD
10	05004005AB	1							SHIELD, Exhaust ManifoldLeft
11	05245585	1				EWB			SHIELD, Crank Position Sensor
12	06034856	6							NUT AND WASHER, Hex Nut-E Teeth Washer, .312-24
13	04763414	2				EWB			PLUG, Cylinder Block Oil Hole
14	05245193	1				EWB			VALVE, Shrader

VIPER GTS COUPE,VIPER RT/10 ROADSTER (SR)

SERIES	LINE	BODY	ENGINE	TRANSMISSION
S = RT/10	D = DODGE	27 = 2-DR CONVERTIBLE	EWB = ENGINE - 8.0L V10	DEC = TRANSMISSION - 6-SPEED
S = GTS Coupe		29 = SPECIALTY COUPE	SFI	MANUAL
X = GTS/Lemans			EW0 = All 8.0L Gas	DBB = All Manual

AR = use ase required - = Non illustrated part

**Crankcase Ventilation 8.0L Engine
Figure 8.0L-910**



ITEM	PART NUMBER	QTY	LINE	SERIES	BODY	ENGINE	TRANS	TRIM	DESCRIPTION
------	-------------	-----	------	--------	------	--------	-------	------	-------------

Note:
EWB = 8.0L V-10 SFI Engine

1	04763767AD	1				EWB			HARNESS, PCV
2	04763806AC	1				EWB			HARNESS, CCV To Air Cleaner
3	04763804AD	1				EWB			HARNESS, Canister Purge
4	04848340AC	1				EWB			HOSE, PCV Inlet
5	05245322	1				EWB			GROMMET, Crankcase Vent

VIPER GTS COUPE,VIPER RT/10 ROADSTER (SR)

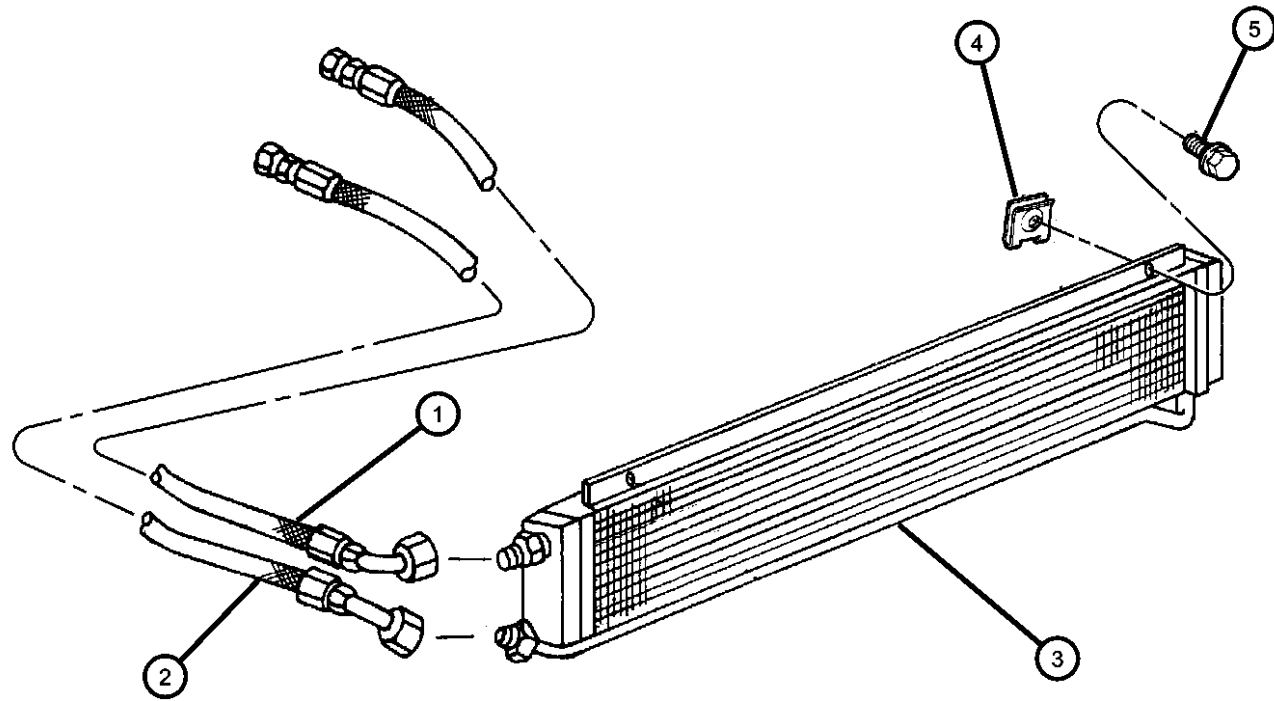
SERIES	LINE	BODY	ENGINE	TRANSMISSION
S = RT/10	D = DODGE	27 = 2-DR CONVERTIBLE	EWB = ENGINE - 8.0L V10	DEC = TRANSMISSION - 6-SPEED
S = GTS Coupe		29 = SPECIALTY COUPE	SFI	MANUAL
X = GTS/Lemans			EW0 = All 8.0L Gas	DBB = All Manual

AR = use ase required - = Non illustrated part

2000 SR

**Oil Cooler 8.0L Engine
Figure 8.0L-1110**

ITEM	PART NUMBER	QTY	LINE	SERIES	BODY	ENGINE	TRANS	TRIM	DESCRIPTION
1	04848310	1							LINE, Oil Cooler Inlet
2	04848300	1							LINE, Oil Cooler Outlet
3	04643826AC	1							COOLER, Engine Oil
4	06101283	2							U-NUT, M8x1.25
5	06100296	2							BOLT, Hex Head



VIPER GTS COUPE,VIPER RT/10 ROADSTER (SR)

SERIES	LINE	BODY	ENGINE	TRANSMISSION
S = RT/10	D = DODGE	27 = 2-DR CONVERTIBLE	EWB = ENGINE - 8.0L V10	DEC = TRANSMISSION - 6-SPEED
S = GTS Coupe		29 = SPECIALTY COUPE	SFI	MANUAL
X = GTS/Lemans			EW0 = All 8.0L Gas	DBB = All Manual

AR = use ase required - = Non illustrated part

2000 SR

Group - 11

Exhaust

Group - 11 Exhaust

Illustration Title

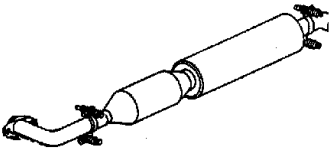
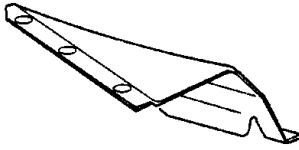
Group-Fig. No.

Exhaust System

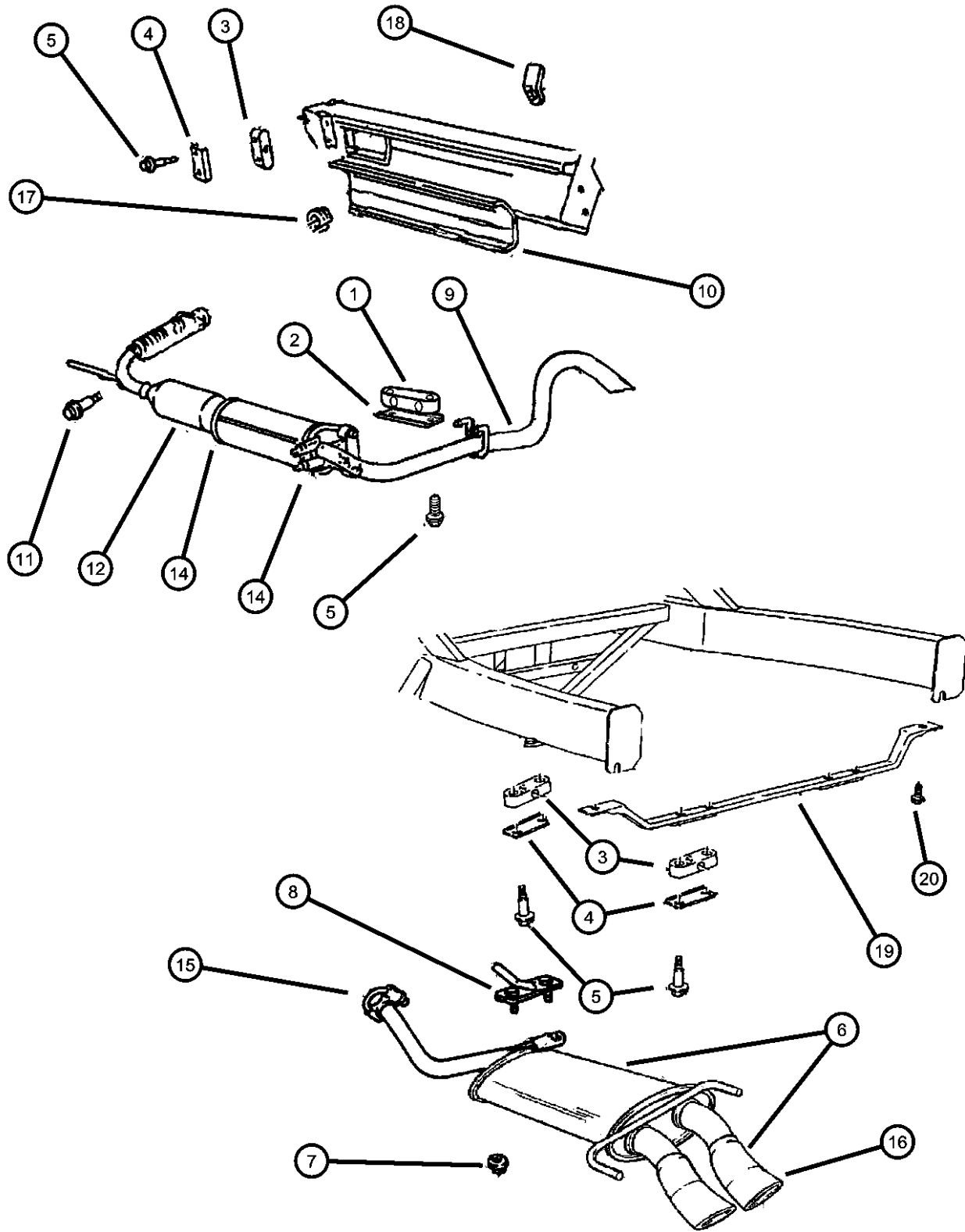
Exhaust System, U.S. and Canada Fig. 11 - 115
 Exhaust System, Export Fig. 11 - 120

Heat Shields

Heat Shield Fig. 11 - 210

<p>011-100 Exhaust System</p> 	<p>011-200 Heat Shields</p> 		
---	--	--	--

Exhaust System, U.S. and Canada
Figure 11-115



ITEM	PART NUMBER	QTY	LINE	SERIES	BODY	ENGINE	TRANS	TRIM	DESCRIPTION
1	04763667	1							ISOLATOR, Exhaust Support
2	04763629	2							SUPPORT, Exhaust Isolator
3	04709038	5							ISOLATOR, Exhaust
4	04708458	5							SUPPORT, Exhaust Isolator
5	04708458	5							BOLT, Shoulder, .312-18x2.00, 06033047, (NOT REQUIRED)
6	05245788	1							MUFFLER, Exhaust
7	06101445	2							NUT AND WASHER, Hex Nut-Coned Washer, M8 x 1.25, Hanger
8	05245034	1							HANGER, MufflerRear
9									RESONATOR AND PIPE, Exhaust
	04854302AA	1							Right
	04854303AA	1							Left
10									INSULATION, Thermal Sill Inner
	05245814	1							Right
	05245815	1							Left
11	05245815	1							BOLT AND CONED WASHER, Hex Head, M8x45x17, (NOT REQUIRED)
12									CONVERTER, Catalytic
	04873122	1							Right
	04873123	1							Left
-13	04848909AA	2							CLAMP, Exhaust Manifold
14	04848935AA	1			29				CLAMP, Exhaust
15	04695220AB	2			29				CLAMP, Exhaust
	E0036234								Mopar V-Line Alternative Part
16	04695220AB	2							TIP, Exhaust Pipe, Serviced in Rear Muffler, (NOT SERVICED)
17	04695220AB	2							GASKET, Exhaust, (NOT REQUIRED)
18	04695220AB	2							NUT, Hex Flange, M8x1.25, (NOT REQUIRED)
19	04709106	1							HANGER BAR, Muffler
20	06101542	2							SCREW, Hex Head, M8-1.25 x 20

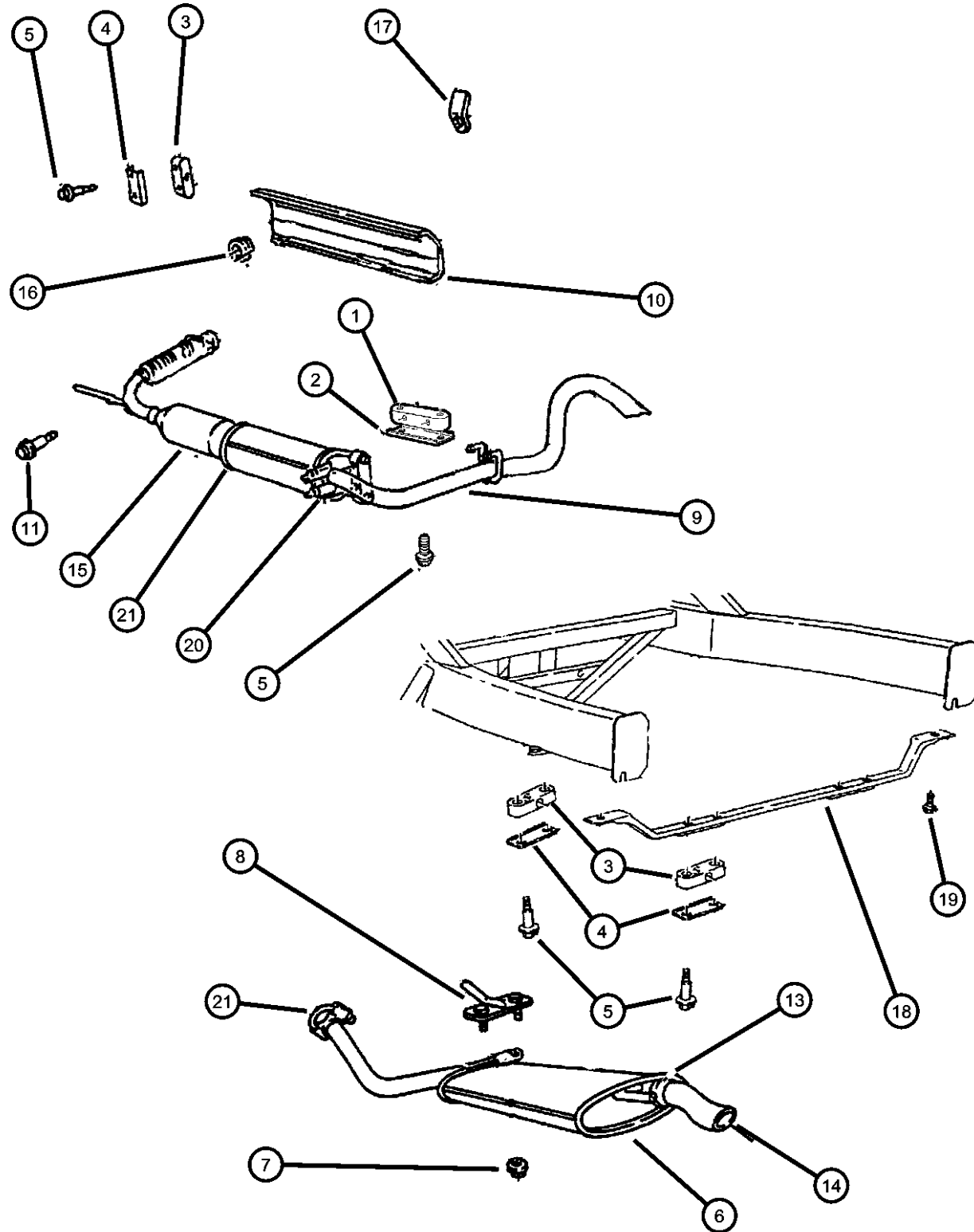
VIPER GTS COUPE,VIPER RT/10 ROADSTER (SR)

SERIES	LINE	BODY	ENGINE	TRANSMISSION
S = RT/10	D = DODGE	27 = 2-DR CONVERTIBLE	EWB = ENGINE - 8.0L V10	DEC = TRANSMISSION - 6-SPEED
S = GTS Coupe		29 = SPECIALTY COUPE	SFI	MANUAL
X = GTS/Lemans			EW0 = All 8.0L Gas	DBB = All Manual

AR = use ase required - = Non illustrated part

2000 SR

**Exhaust System, Export
Figure 11-120**



ITEM	PART NUMBER	QTY	LINE	SERIES	BODY	ENGINE	TRANS	TRIM	DESCRIPTION
1	04763667	1			29				ISOLATOR, Exhaust Support
2	04763629	2							SUPPORT, Exhaust Isolator
3	04709038	5							ISOLATOR, Exhaust
4	04708458	5							SUPPORT, Exhaust Isolator
5	04708458	5							BOLT, Shoulder, .312-18x2.00, 06033047, (NOT REQUIRED)
6	05245788	1							MUFFLER, Exhaust
7	06101445	2							NUT AND WASHER, Hex Nut-Coned Washer, M8 x 1.25, Hanger
8	05245034	1							HANGER, Muffler
9									RESONATOR AND PIPE, Exhaust
	04854302AA	1							Right
	04854303AA	1							Left
10									INSULATION, Thermal Sill Inner
	05245814	1							Right
	05245815	1							Left
11	05245815	1							BOLT AND CONED WASHER, Hex Head, M8x45x17, (NOT REQUIRED)
-12	04848909AA	2							CLAMP, Exhaust Manifold
13									CLAMP, Exhaust
	04695220AB	2			29				Mopar V-Line Alternative Part
	E0036234	2							Mopar V-Line Alternative Part
14		2							TIP, Exhaust Pipe, Serviced in Rear Muffler\, (NOT SERVICED)
15									CONVERTER, Catalytic
	04873122	1							Right
	04873123	1							Left
16	04873123	1							GASKET, Exhaust, (NOT REQUIRED)
17	04873123	1							NUT, Hex Flange, M8x1.25, (NOT REQUIRED)
18	04709106	1							HANGER BAR, Muffler
19	06101542	2							SCREW, Hex Head, M8-1.25 x 20
20	04848935AA	1							CLAMP, Exhaust
21	04695220AB	2							CLAMP, Exhaust
	E0036234								Mopar V-Line Alternative Part

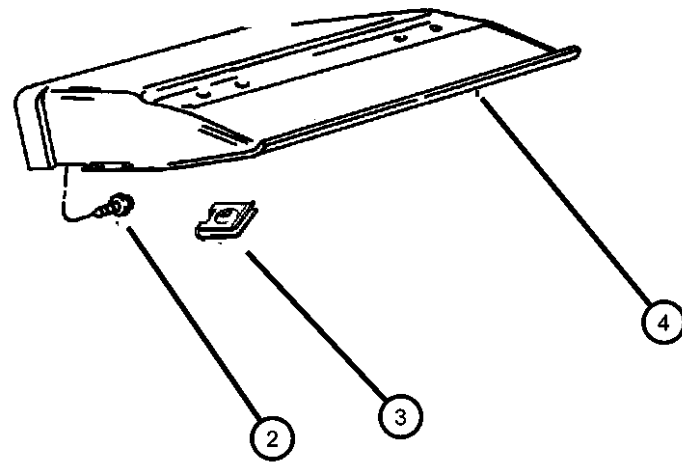
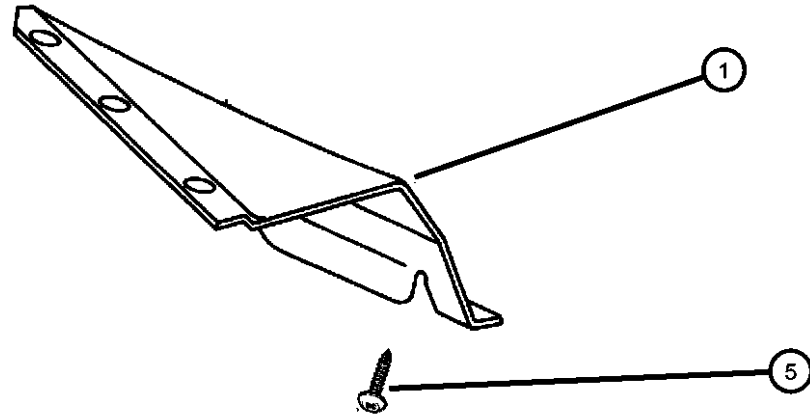
VIPER GTS COUPE,VIPER RT/10 ROADSTER (SR)

SERIES	LINE	BODY	ENGINE	TRANSMISSION
S = RT/10	D = DODGE	27 = 2-DR CONVERTIBLE	EWB = ENGINE - 8.0L V10	DEC = TRANSMISSION - 6-SPEED
S = GTS Coupe		29 = SPECIALTY COUPE	SFI	MANUAL
X = GTS/Lemans			EW0 = All 8.0L Gas	DBB = All Manual

AR = use ase required - = Non illustrated part

Heat Shield
Figure 11-210

ITEM	PART NUMBER	QTY	LINE	SERIES	BODY	ENGINE	TRANS	TRIM	DESCRIPTION
1	04763846	1							SHIELD, Heat Right
	04763847	1							Left
2	04763847	1							SCREW, (NOT SERVICED)
3	06029074	6							U-NUT, .25-20
4	05245730	1							SHIELD, Heat
5	06035494	10							SCREW TAPPING & WASHER, Hex Head, .190-16X.500



VIPER GTS COUPE,VIPER RT/10 ROADSTER (SR)

SERIES	LINE	BODY	ENGINE	TRANSMISSION
S = RT/10	D = DODGE	27 = 2-DR CONVERTIBLE	EWB = ENGINE - 8.0L V10	DEC = TRANSMISSION - 6-SPEED
S = GTS Coupe		29 = SPECIALTY COUPE	SFI	MANUAL
X = GTS/Lemans			EW0 = All 8.0L Gas	DBB = All Manual

AR = use ase required - = Non illustrated part

2000 SR

Group - 13

Frames and Bumpers

Group - 13 Frames and Bumpers

Group-Fig. No.

Illustration Title

Frames

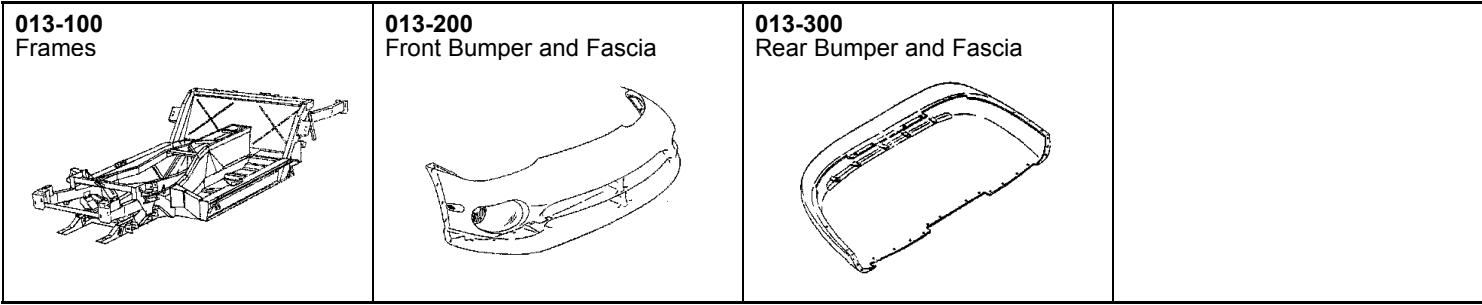
Frame Fig. 13 - 110

Front Bumper and Fascia

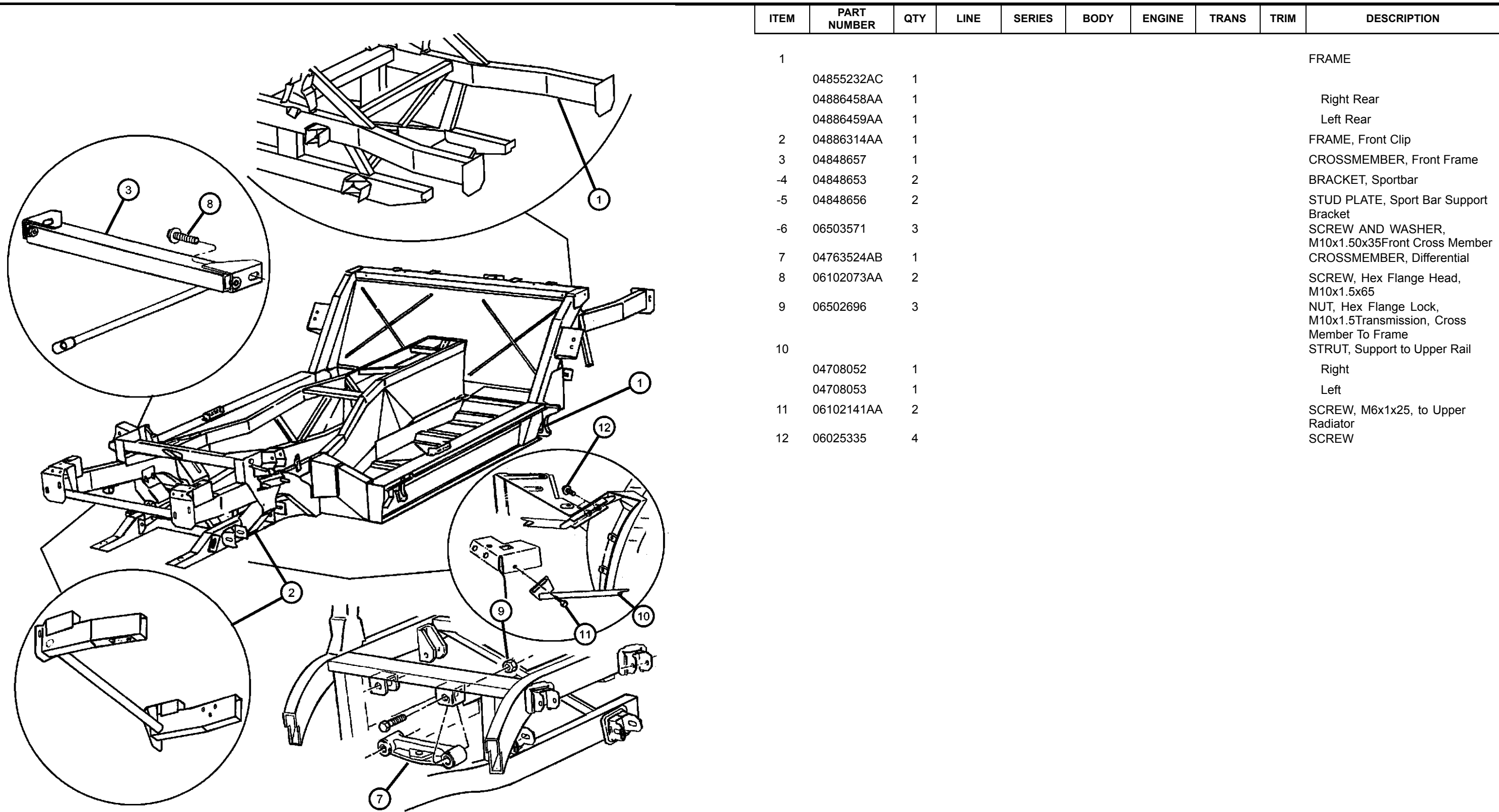
Fascia, Front..... Fig. 13 - 210

Rear Bumper and Fascia

Fascia, Rear Fig. 13 - 310



Frame
Figure 13-110



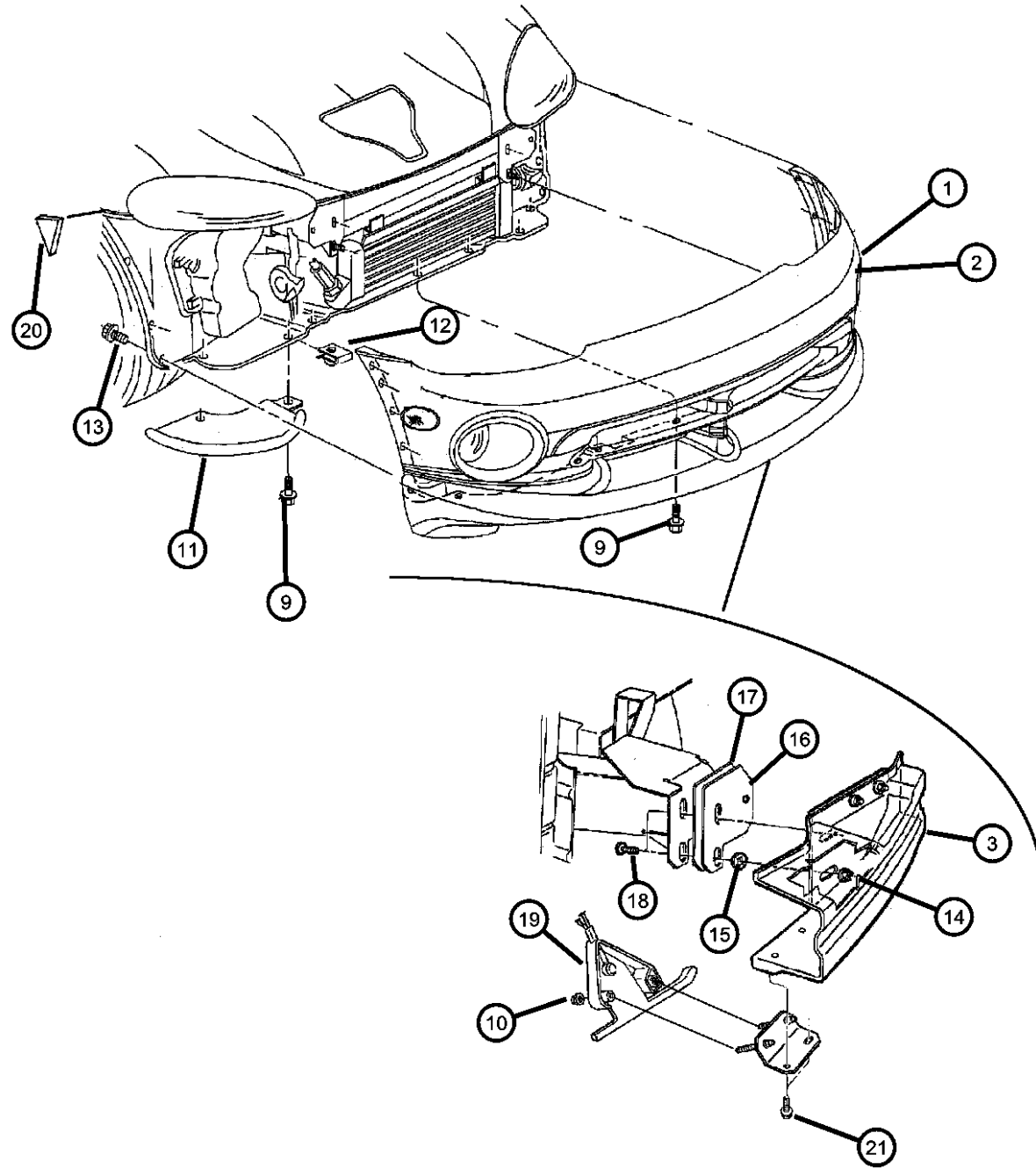
ITEM	PART NUMBER	QTY	LINE	SERIES	BODY	ENGINE	TRANS	TRIM	DESCRIPTION
1									FRAME
	04855232AC	1							Right Rear
	04886458AA	1							Left Rear
	04886459AA	1							FRAME, Front Clip
2	04886314AA	1							CROSSMEMBER, Front Frame
3	04848657	1							BRACKET, Sportbar
-4	04848653	2							STUD PLATE, Sport Bar Support Bracket
-5	04848656	2							SCREW AND WASHER, M10x1.50x35Front Cross Member
-6	06503571	3							CROSSMEMBER, Differential
7	04763524AB	1							SCREW, Hex Flange Head, M10x1.5x65
8	06102073AA	2							NUT, Hex Flange Lock, M10x1.5Transmission, Cross Member To Frame
9	06502696	3							STRUT, Support to Upper Rail
10									Right
	04708052	1							Left
	04708053	1							
11	06102141AA	2							SCREW, M6x1x25, to Upper Radiator
12	06025335	4							SCREW

VIPER GTS COUPE,VIPER RT/10 ROADSTER (SR)

SERIES	LINE	BODY	ENGINE	TRANSMISSION
S = RT/10	D = DODGE	27 = 2-DR CONVERTIBLE	EWB = ENGINE - 8.0L V10	DEC = TRANSMISSION - 6-SPEED
S = GTS Coupe		29 = SPECIALTY COUPE	SFI	MANUAL
X = GTS/Lemans			EW0 = All 8.0L Gas	DBB = All Manual

AR = use ase required - = Non illustrated part

Fascia, Front
Figure 13-210



ITEM	PART NUMBER	QTY	LINE	SERIES	BODY	ENGINE	TRANS	TRIM	DESCRIPTION
------	-------------	-----	------	--------	------	--------	-------	------	-------------

NOTE: Sales Codes:
[ACR] =COMPETITION GROUP

1									FASCIA, Front, [APV]
	05014539AB	1			27				Paint as Required (w/o Stripes)
		1			29				Paint as Required (w/o Stripes)
	0SV531RNAB	1			29				Red Clear w/o ACR (Silver Stripes)
	0SV531S6AB	1			29				Dark Quartz w/o ACR (Silver Stripes)
	0SV531X3AB	1			29				Black w/o ACR (Silver Stripes)
	0SZ301RNAA	1			29				Red Clear (ACR) (Silver Stripes)
	0SZ301S6AA	1			29				Dark Quartz (ACR) (Silver Stripes)
	0SZ301X3AA	1			29				Black (ACR) (Silver Stripes)
2	05015296AA	1			29				FASCIA, Front, Primed, [APA], ACR
3									BUMPER, Fascia, Reinforcement
	04763098	1			27				
		1			29				
-4									SCUFFER, Fascia Front, Chip Tape
	04848828	1			27				Right
		1			29				Right
	04848829	1			27				Left
		1			29				Left
-5									ADAPTER, Bumper Fascia
	05245074	1			27				Right
		1			29				Right
	05245075	1			29				Left
		1			27				Left
-6									FOAM AND TAPE, Fascia
	04763096	1			27				
		1			29				
-7									FOAM AND TAPE, Frt Fascia Grille Opng, GT-2
	05245044	1			27				
		1			29				
-8									SEAL, Front Fascia To Hood
	04848448	1			27				Fascia to Hood

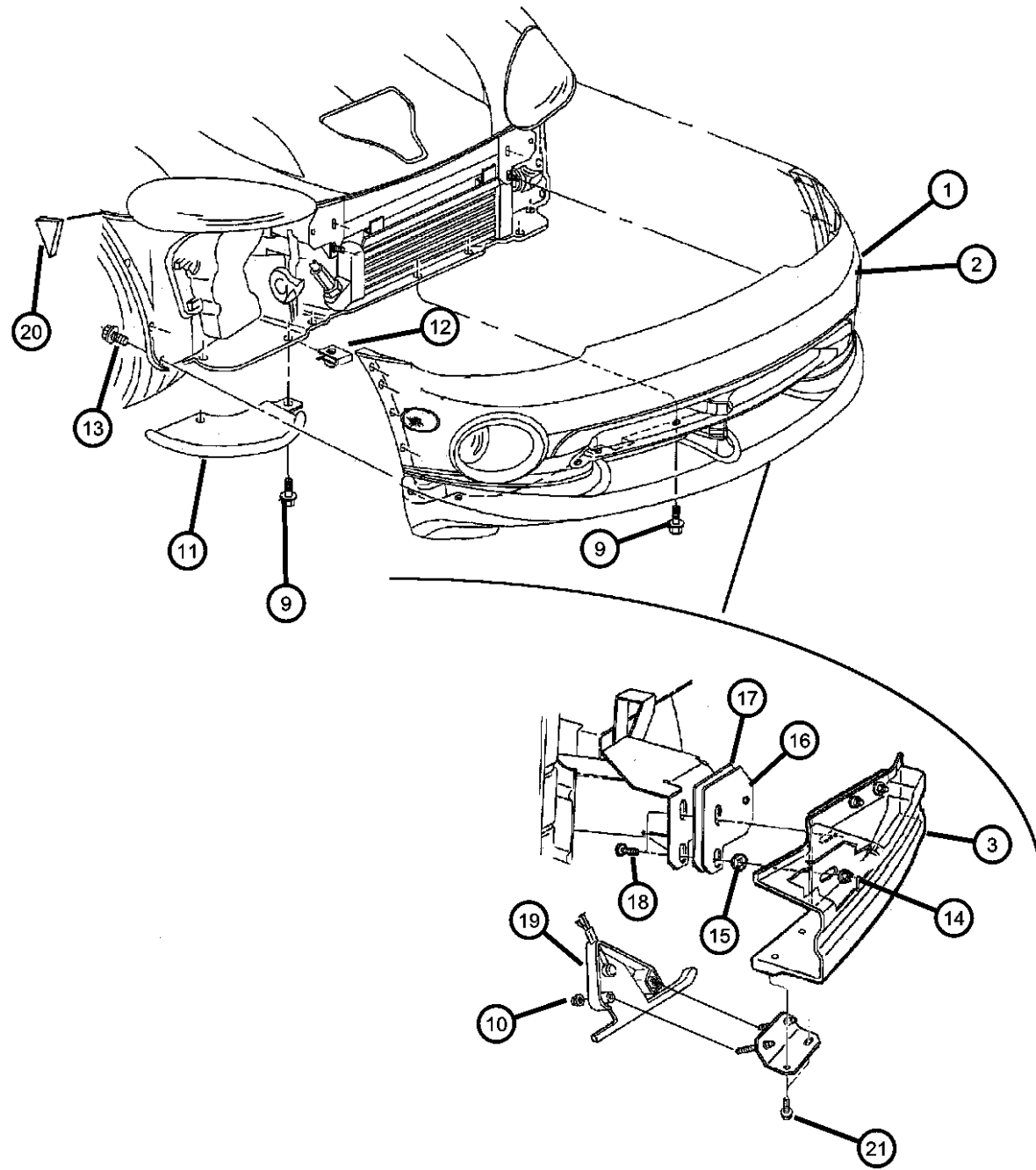
VIPER GTS COUPE,VIPER RT/10 ROADSTER (SR)

SERIES	LINE	BODY	ENGINE	TRANSMISSION
S = RT/10	D = DODGE	27 = 2-DR CONVERTIBLE	EWB = ENGINE - 8.0L V10	DEC = TRANSMISSION - 6-SPEED
S = GTS Coupe		29 = SPECIALTY COUPE	SFI	MANUAL
X = GTS/Lemans			EW0 = All 8.0L Gas	DBB = All Manual

AR = use ase required - = Non illustrated part

2000 SR

Fascia, Front
Figure 13-210



ITEM	PART NUMBER	QTY	LINE	SERIES	BODY	ENGINE	TRANS	TRIM	DESCRIPTION
		1			29				Fascia to Hood
9	06025335	8							SCREW
10	06100515	1							NUT, Hex Flange Lock, M5
11									PANEL, Front Fascia
	04848612	1			29				Right
	04848613	1			29				Left
12									U-NUT, .25-20
	06029074	10			27				
		10			29				
13	06102086AA	10							SCREW AND WASHER, Hex Head, M5x0.80x25.00
14	06101448	4							NUT AND WASHER, Hex Nut-Coned Washer, M10 x 1.5
15	06101448	4							NUT, (NOT SERVICED)
16	05245443	AR							SHIM, Bumper, Thin
17	05245444	AR							SHIM, Bumper, Thick
18	05245444	AR							BOLT, M10x1.50x35, (NOT SERVICED)
19	04709049AB	1							HANDLE AND CABLE, Hood Release
20	04709275	2							PAD, Bulkhead Spacer
21	04709275	2							SCREW, (NOT SERVICED)
-22	04708129	1			29				BRACKET, Towing
-23									FRAME, License Plate
	04708268	1							
	04709042	1			29				Export

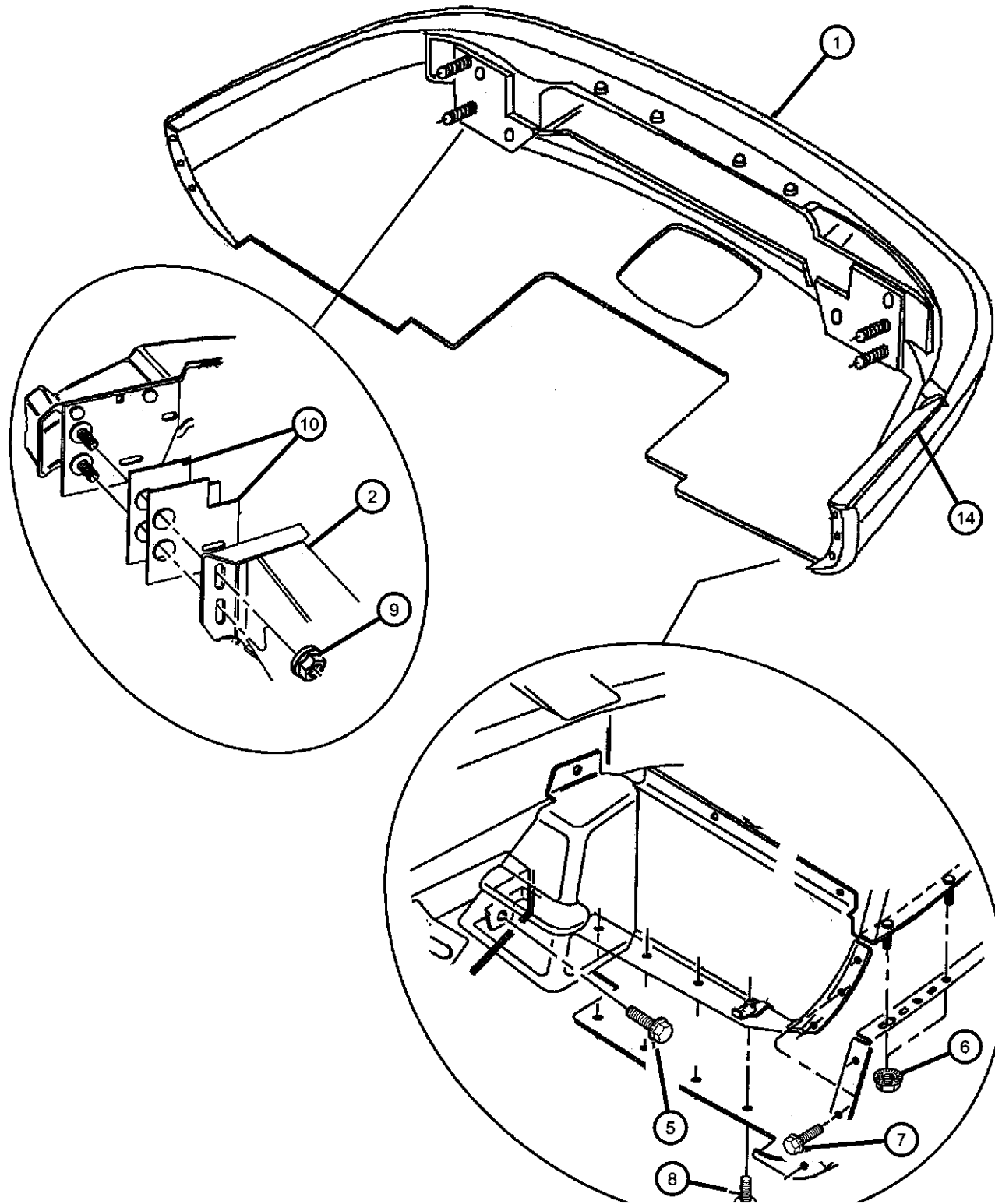
VIPER GTS COUPE,VIPER RT/10 ROADSTER (SR)

SERIES	LINE	BODY	ENGINE	TRANSMISSION
S = RT/10	D = DODGE	27 = 2-DR CONVERTIBLE	EWB = ENGINE - 8.0L V10	DEC = TRANSMISSION - 6-SPEED
S = GTS Coupe		29 = SPECIALTY COUPE	SFI	MANUAL
X = GTS/Lemans			EW0 = All 8.0L Gas	DBB = All Manual

AR = use ase required - = Non illustrated part

2000 SR

Fascia, Rear
Figure 13-310



ITEM	PART NUMBER	QTY	LINE	SERIES	BODY	ENGINE	TRANS	TRIM	DESCRIPTION
1	05014554AA	1			27				FASCIA, Rear Primed
	05014555AA	1			29				Primed
	0SV631RNAA	1			29				Red (Silver Stripes)
	0SV631S6AA	1			29				Dark Quartz (Silver Stripes)
	0SV631X3AA	1			29				Black (Silver Stripes)
2									BUMPER, Fascia, Reinforcement
	04763098	1			27				
		1			29				
-3									ADAPTER, Bumper Fascia, with Brackets
	05245076	1			27				Right
		1			29				Right
	05245077	1			27				Left
		1			29				Left
-4	04270974	1							LICENSE PLATE KIT
5	04270974	1							SCREW, (NOT SERVICED)
6									NUT AND WASHER
	06501941	4			27				
		4			29				
7		4							SCREW, (NOT SERVICED)
8	06025335	8							SCREW
9	06101448	4							NUT AND WASHER, Hex Nut-Coned Washer, M10 x 1.5
10	06101448	4							SHIM, (NOT SERVICED)
-11	04708188	1			29				BRACKET, Towing
-12	04643662	1			29				FRAME, License Plate
-13									SHIELD, Heat
	04709085	1			27				
		1			29				
14									RETAINER, Rear Fascia
	05245790	1			29				Right
	05245791	1			29				Left
-15	04763373	1			29				FOAM AND TAPE, Fascia

VIPER GTS COUPE,VIPER RT/10 ROADSTER (SR)

SERIES	LINE	BODY	ENGINE	TRANSMISSION
S = RT/10	D = DODGE	27 = 2-DR CONVERTIBLE	EWB = ENGINE - 8.0L V10	DEC = TRANSMISSION - 6-SPEED
S = GTS Coupe		29 = SPECIALTY COUPE	SFI	MANUAL
X = GTS/Lemans			EW0 = All 8.0L Gas	DBB = All Manual

AR = use ase required - = Non illustrated part

2000 SR

Group - 14

Fuel

Group - 14 Fuel

Group-Fig. No.

Illustration Title

Tank, Fuel

Fuel TankFig. 14 - 110

Fuel Tank Filler Tube

Fuel Filler Tube.....Fig. 14 - 210

Fuel Lines

Fuel Lines And FilterFig. 14 - 310

Fuel Rail

Fuel Supply TubeFig. 14 - 410

Fuel Pump and Sending Unit

Fuel ModuleFig. 14 - 510

Throttle Body

Throttle BodyFig. 14 - 610

Throttle Controls

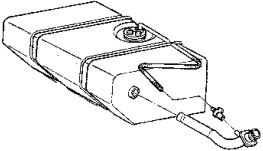
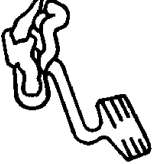
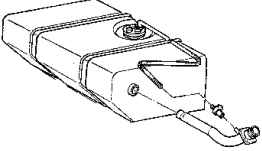

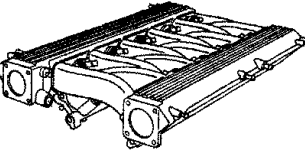
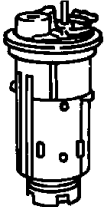
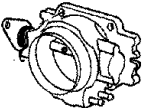
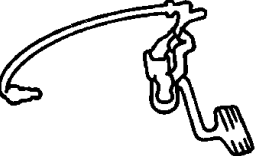
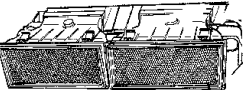
Throttle Controls.....Fig. 14 - 710

Air Cleaner

Air Cleaner.....Fig. 14 - 810

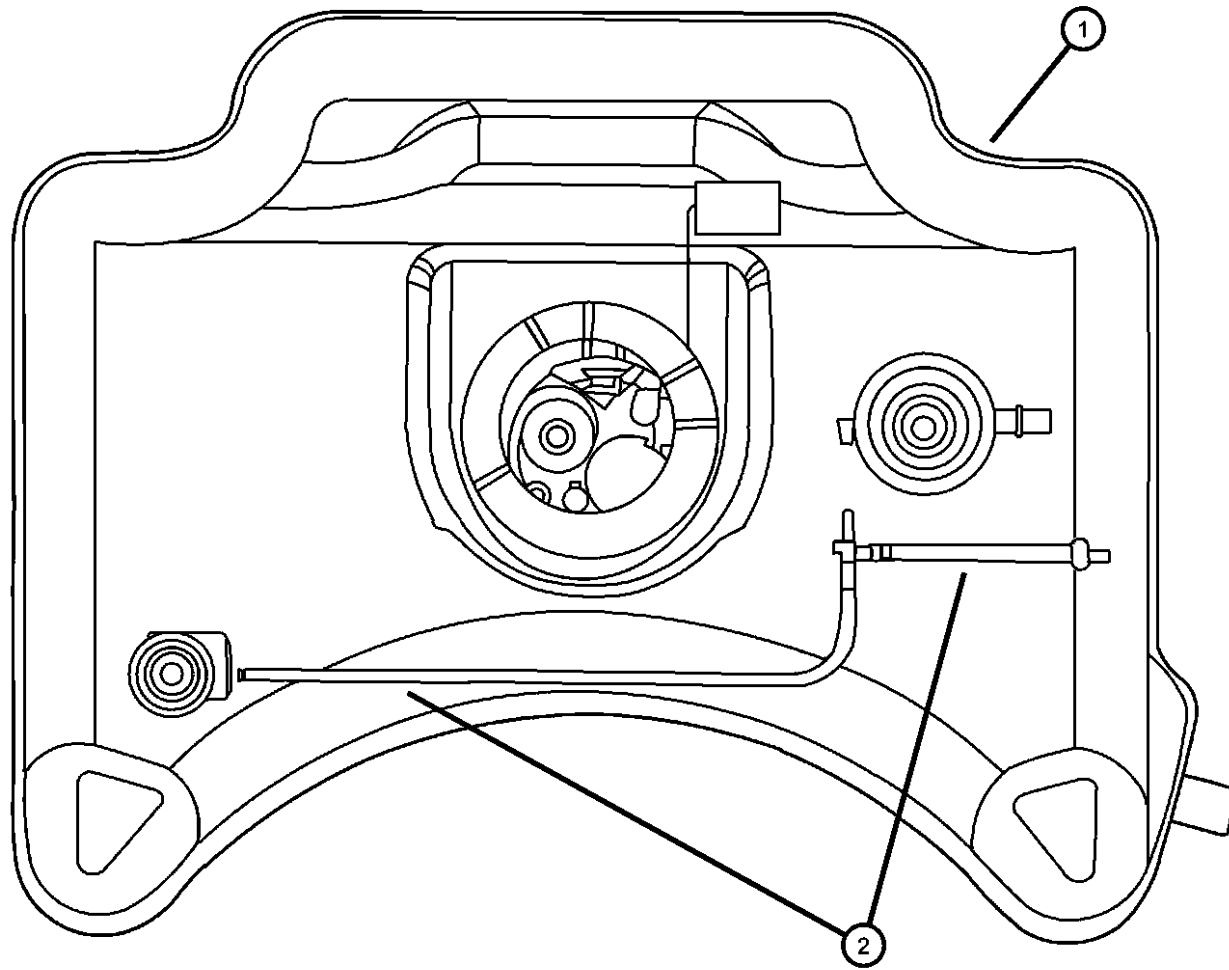
Accelerator Pedal

Accelerator PedalFig. 14 - 1110

<p>014-100 Tank, Fuel</p> 	<p>014-1100 Accelerator Pedal</p> 	<p>014-200 Fuel Tank Filler Tube</p> 	<p>014-300 Fuel Lines</p> 
<p>014-400 Fuel Rail</p> 	<p>014-500 Fuel Pump and Sending Unit</p> 	<p>014-600 Throttle Body</p> 	<p>014-700 Throttle Controls</p> 
<p>014-800 Air Cleaner</p> 			

Fuel Tank
Figure 14-110

ITEM	PART NUMBER	QTY	LINE	SERIES	BODY	ENGINE	TRANS	TRIM	DESCRIPTION
1	04848985AA	1							TANK, Fuel
2	05264918AA	1							TUBE, Fuel Vapor Recirculation
-3	04848282AB	1							STRAP, Fuel Tank
-4	04848282AB	1							SCREW AND WASHER, Hex Head, M8x1.25x25, Locking, (NOT SERVICED)

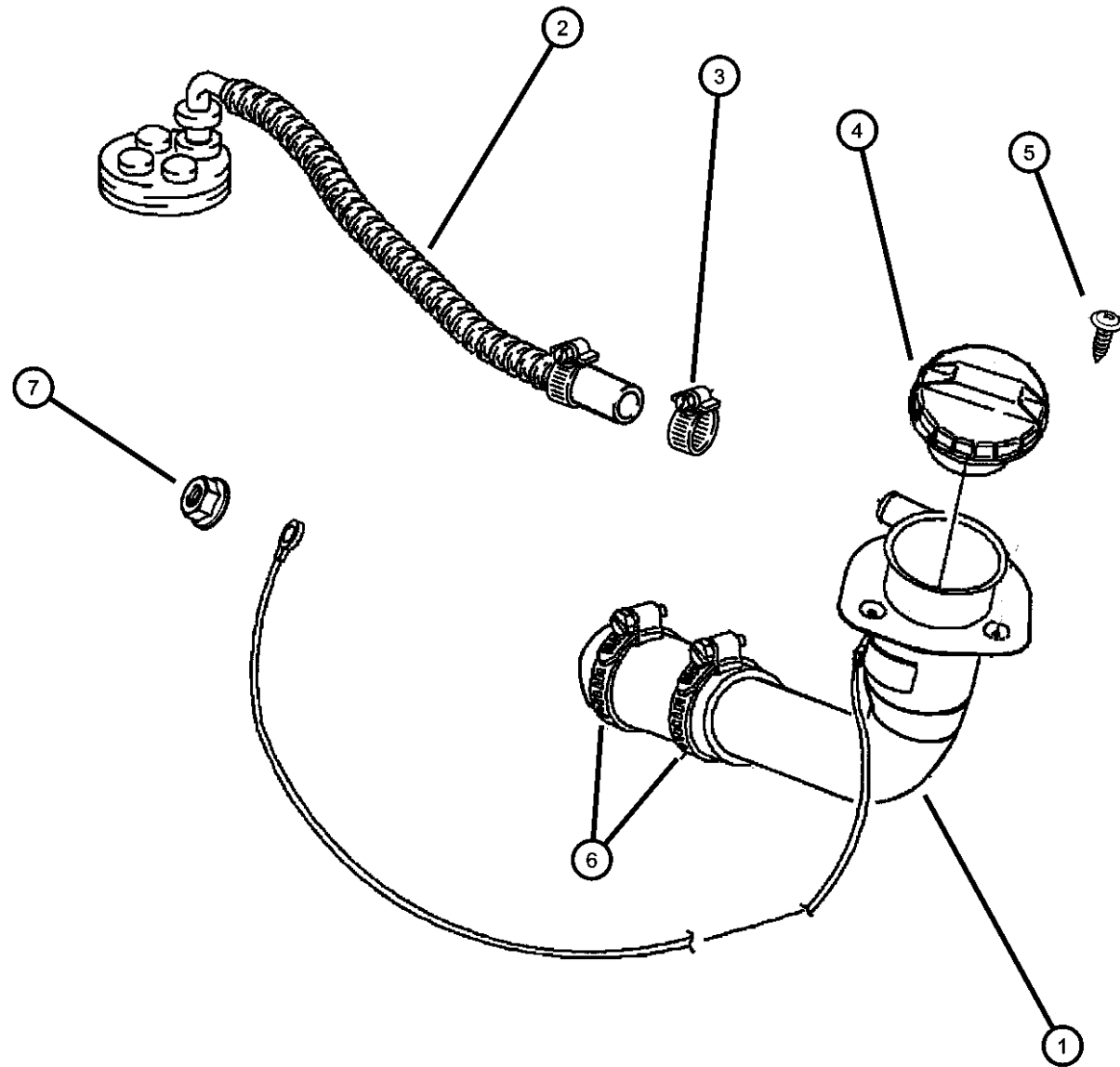


VIPER GTS COUPE,VIPER RT/10 ROADSTER (SR)

SERIES	LINE	BODY	ENGINE	TRANSMISSION
S = RT/10	D = DODGE	27 = 2-DR CONVERTIBLE	EWB = ENGINE - 8.0L V10	DEC = TRANSMISSION - 6-SPEED
S = GTS Coupe		29 = SPECIALTY COUPE	SFI	MANUAL
X = GTS/Lemans			EW0 = All 8.0L Gas	DBB = All Manual

AR = use ase required - = Non illustrated part

Fuel Filler Tube
Figure 14-210



ITEM	PART NUMBER	QTY	LINE	SERIES	BODY	ENGINE	TRANS	TRIM	DESCRIPTION
1	04848998AA	1			29				TUBE, Fuel Filler
2	05264918AA	1							TUBE, Fuel Vapor Recirculation
3	05264918AA	1							CLAMP, HOSE CLAMP, (NOT REQUIRED)
4									CAP, Fuel Filler
	04763684AC	1			29				
	04848132	1							
5	04848132	1							SCREW, Tapping, .19-16x.75, (NOT SERVICED)
6	06502090	2			29				CLAMP, Hose
7	06502090	2							NUT, Hex Flange With Serration, (NOT SERVICED)

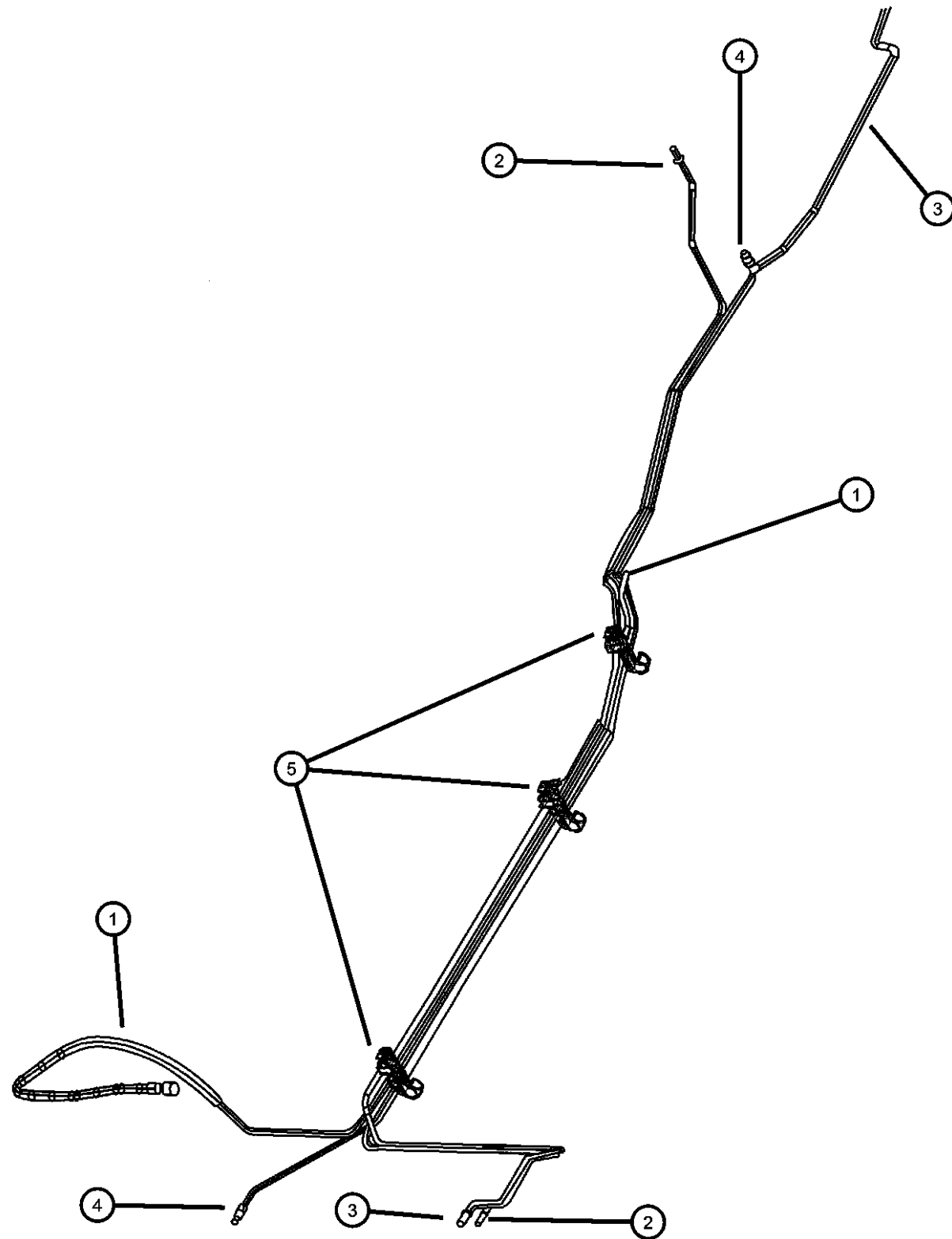
VIPER GTS COUPE,VIPER RT/10 ROADSTER (SR)

SERIES	LINE	BODY	ENGINE	TRANSMISSION
S = RT/10	D = DODGE	27 = 2-DR CONVERTIBLE	EWB = ENGINE - 8.0L V10	DEC = TRANSMISSION - 6-SPEED
S = GTS Coupe		29 = SPECIALTY COUPE	SFI	MANUAL
X = GTS/Lemans			EW0 = All 8.0L Gas	DBB = All Manual

AR = use ase required - = Non illustrated part

2000 SR

Fuel Lines And Filter
Figure 14-310



ITEM	PART NUMBER	QTY	LINE	SERIES	BODY	ENGINE	TRANS	TRIM	DESCRIPTION
1	04848994AA	1							TUBE, Fuel Supply
2	04848995AA	1							TUBE, Vacuum
3	04848996AA	1							TUBE, Vapor
4	04848993AA	1							TUBE, Brake
5	05264859AA	3							CLIP, Fuel Bundle
-6	03404625	1							CLIP, Tube

VIPER GTS COUPE,VIPER RT/10 ROADSTER (SR)

SERIES	LINE	BODY	ENGINE	TRANSMISSION
S = RT/10	D = DODGE	27 = 2-DR CONVERTIBLE	EWB = ENGINE - 8.0L V10	DEC = TRANSMISSION - 6-SPEED
S = GTS Coupe		29 = SPECIALTY COUPE	SFI	MANUAL
X = GTS/Lemans			EW0 = All 8.0L Gas	DBB = All Manual

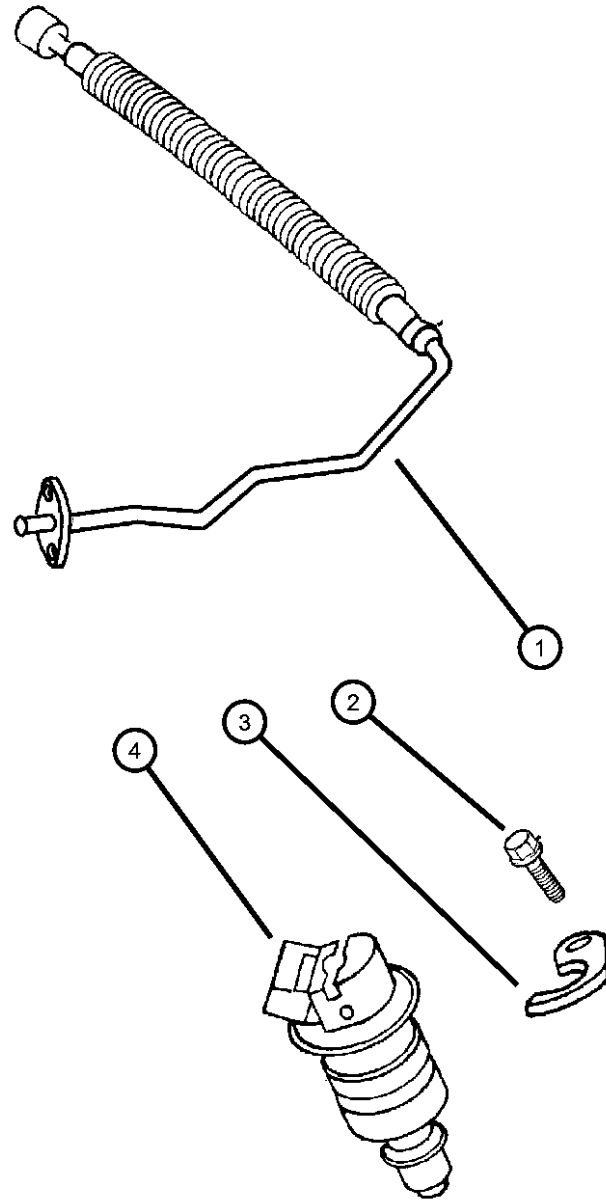
AR = use ase required - = Non illustrated part

**Fuel Supply Tube
Figure 14-410**

ITEM	PART NUMBER	QTY	LINE	SERIES	BODY	ENGINE	TRANS	TRIM	DESCRIPTION
------	-------------	-----	------	--------	------	--------	-------	------	-------------

NOTE Sales Code
[EWB]=8.0L V-10 Engine

1	05245792	1				EWB			RAIL, Fuel
2	06035666	10				EWB			SCREW, Hex Flange Head, .25-20x1.00
3									RETAINER, Fuel Injector
	05245807	9				EWB			
	05245809	1				EWB			
4	05245724	10				EWB			INJECTOR, Fuel
-5	04723971	10				EWB			O RING PACKAGE, Fuel Injector



VIPER GTS COUPE,VIPER RT/10 ROADSTER (SR)

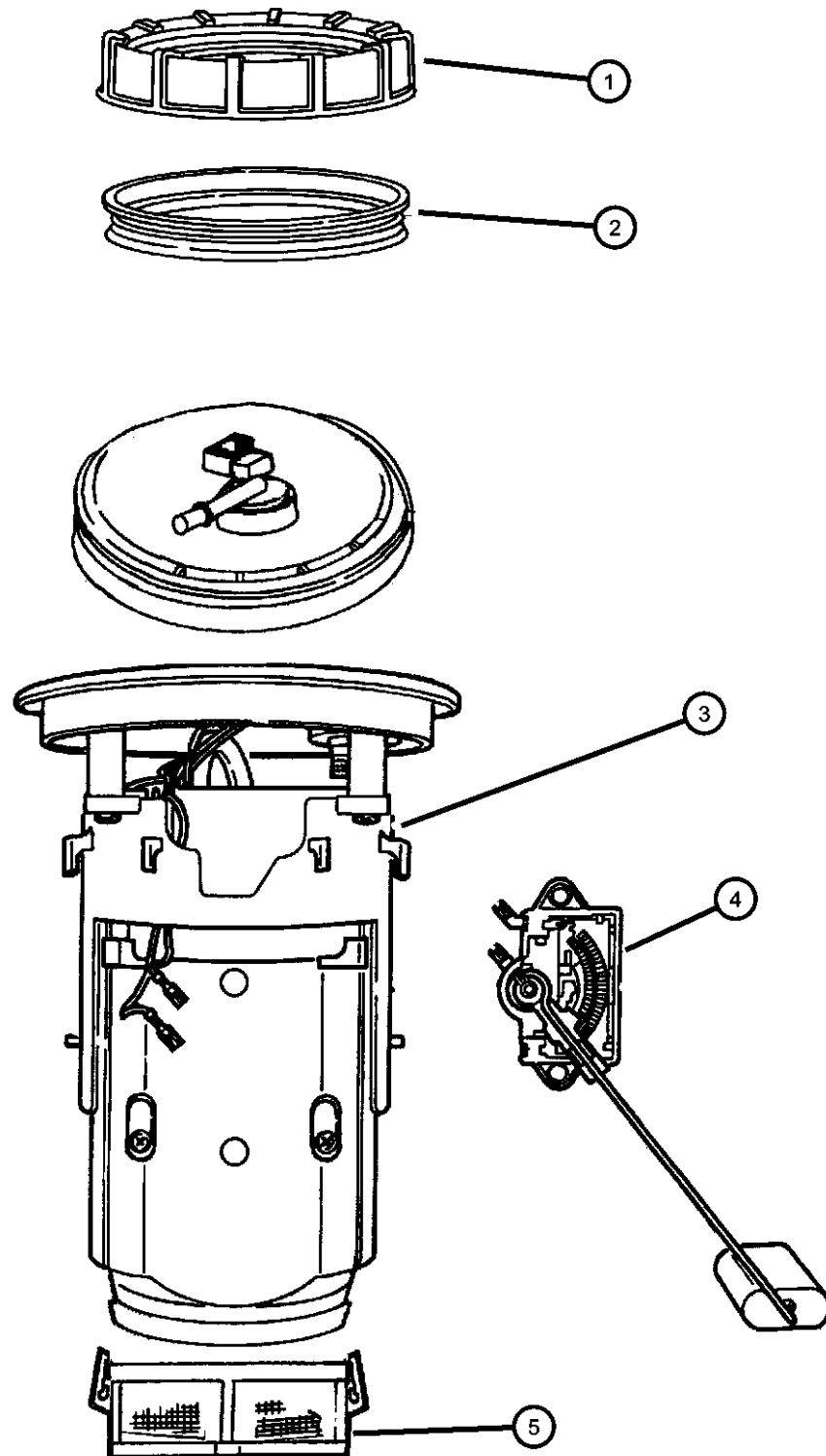
SERIES	LINE	BODY	ENGINE	TRANSMISSION
S = RT/10	D = DODGE	27 = 2-DR CONVERTIBLE	EWB = ENGINE - 8.0L V10	DEC = TRANSMISSION - 6-SPEED
S = GTS Coupe		29 = SPECIALTY COUPE	SFI	MANUAL
X = GTS/Lemans			EW0 = All 8.0L Gas	DBB = All Manual

AR = use ase required - = Non illustrated part

2000 SR

Fuel Module
Figure 14-510

ITEM	PART NUMBER	QTY	LINE	SERIES	BODY	ENGINE	TRANS	TRIM	DESCRIPTION
1	52005389	1							NUT, Fuel Pump Module
2	52018808	1							SEAL, Fuel Pump and Level Unit
3	05017074AA	1							MODULE KIT, Fuel Pump/Level Unit
4	05017080AA	1							LEVEL UNIT KIT, Fuel
5	05017081AA	1							FILTER KIT, Fuel, Serviced in Module



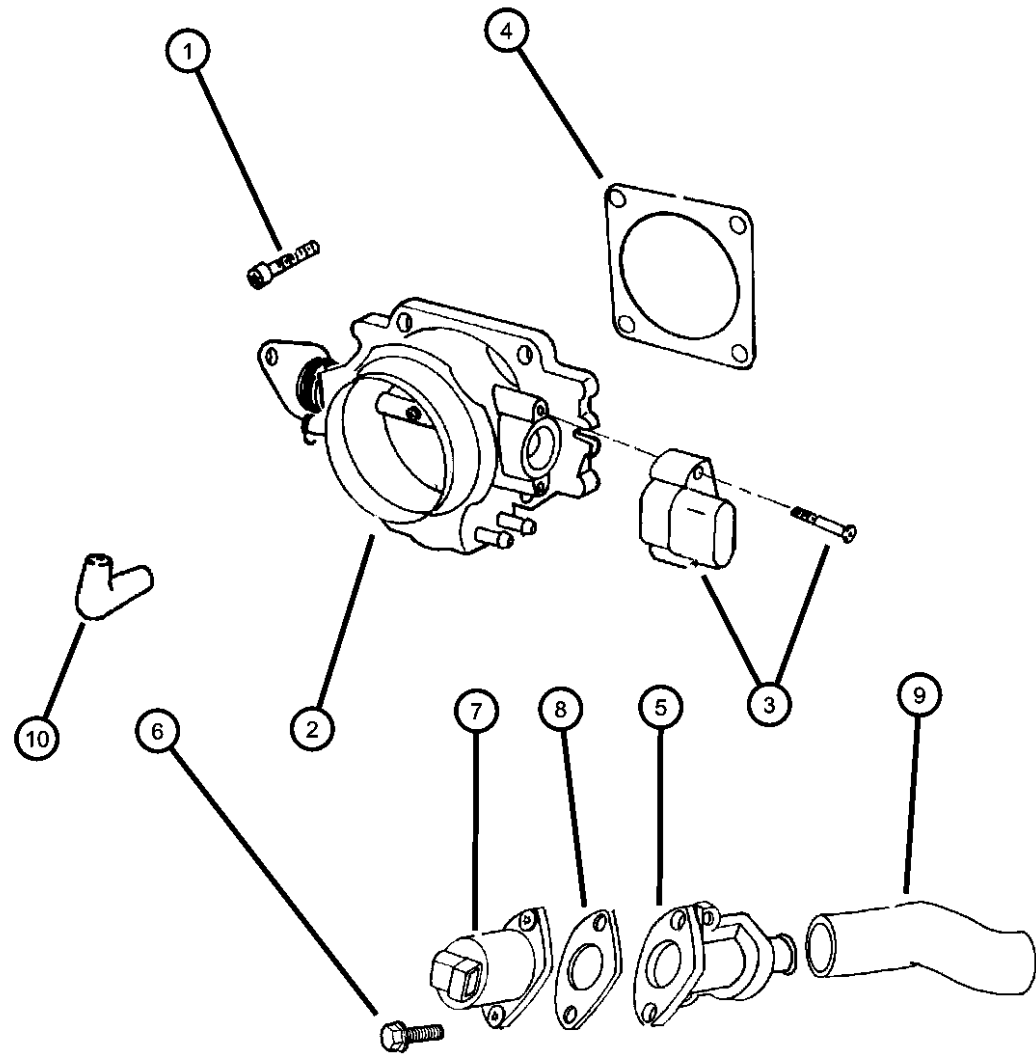
VIPER GTS COUPE,VIPER RT/10 ROADSTER (SR)

SERIES	LINE	BODY	ENGINE	TRANSMISSION
S = RT/10	D = DODGE	27 = 2-DR CONVERTIBLE	EWB = ENGINE - 8.0L V10	DEC = TRANSMISSION - 6-SPEED
S = GTS Coupe		29 = SPECIALTY COUPE	SFI	MANUAL
X = GTS/Lemans			EW0 = All 8.0L Gas	DBB = All Manual

AR = use ase required - = Non illustrated part

2000 SR

**Throttle Body
Figure 14-610**



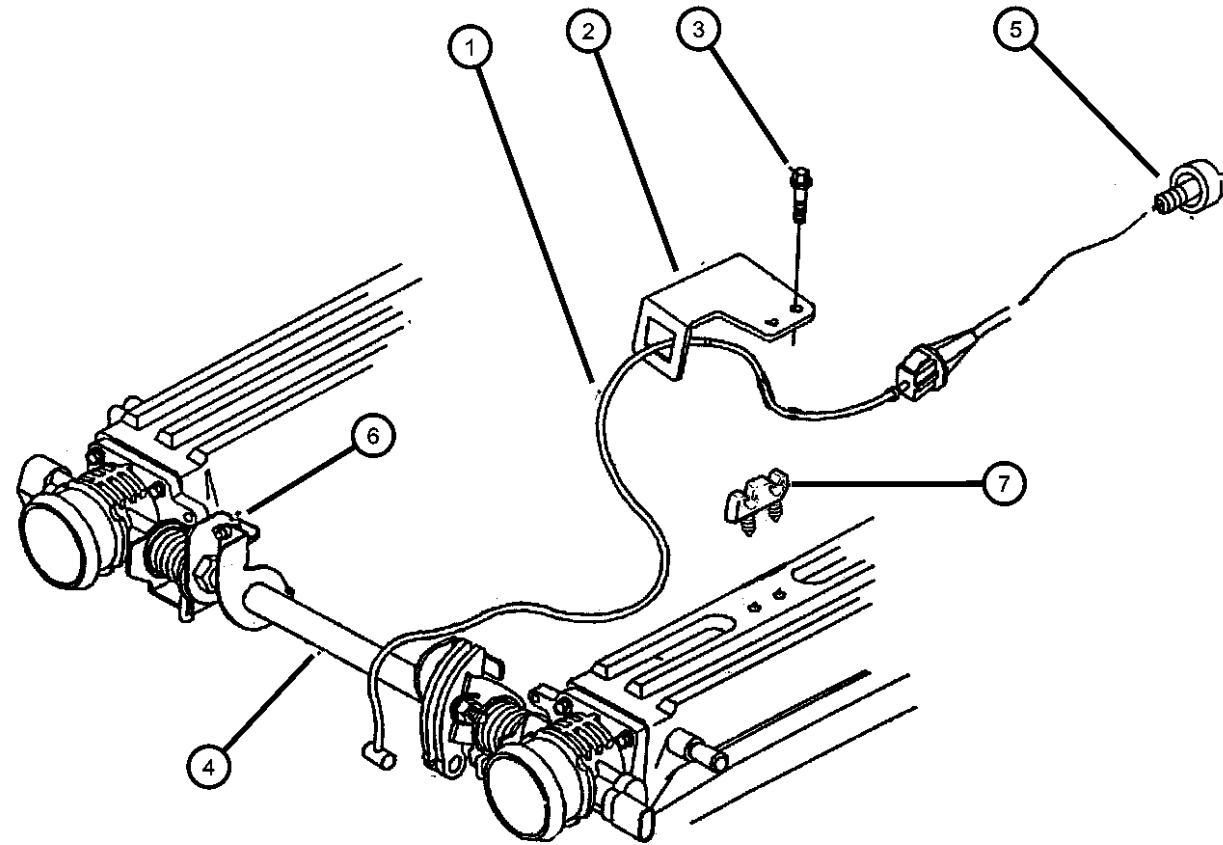
ITEM	PART NUMBER	QTY	LINE	SERIES	BODY	ENGINE	TRANS	TRIM	DESCRIPTION
NOTE: EWB=8.0L V-10 Engine									
1	06035666	2				EWB			SCREW, Hex Flange Head, .25-20x1.00
2									THROTTLE BODY
	04763763	1				EWB			Left
	04763766	1				EWB			Right
3	04874371AB	1				EWB			SENSOR, Throttle Position
4	04848126	2				EWB			GASKET, Throttle Body To Intake
5	05245749AB	1				EWB			MOTOR AND BODY, IACV
6	06035666	8				EWB			SCREW, Hex Flange Head, .25-20x1.00
7	04778637AB	1				EWB			MOTOR KIT, A.I.S.
8	05245373	1				EWB			GASKET, A.I.S. Motor
9	04763805	1							HOSE, A.I.S. Supply
10	53009672	1				EWB			CONNECTOR, Emission Hose

VIPER GTS COUPE,VIPER RT/10 ROADSTER (SR)

SERIES	LINE	BODY	ENGINE	TRANSMISSION
S = RT/10	D = DODGE	27 = 2-DR CONVERTIBLE	EWB = ENGINE - 8.0L V10	DEC = TRANSMISSION - 6-SPEED
S = GTS Coupe		29 = SPECIALTY COUPE	SFI	MANUAL
X = GTS/Lemans			EW0 = All 8.0L Gas	DBB = All Manual

AR = use ase required - = Non illustrated part

Throttle Controls
Figure 14-710



ITEM	PART NUMBER	QTY	LINE	SERIES	BODY	ENGINE	TRANS	TRIM	DESCRIPTION
------	-------------	-----	------	--------	------	--------	-------	------	-------------

NOTE: EWB=8.0L V-10 Engine

1	04763969	1							CABLE, Accelerator
2	04848836AB	1							BRACKET, Accelerator Cable
3	06035666	2				EWB			SCREW, Hex Flange Head, .25-20x1.00
4	04763764	1				EWB			LINKAGE, Throttle Body
5	04287736	2							RETAINER, Throttle Cable
6	04882274	1				EWB			SCREW, Adjusting
7	04606041	1				EWB			CLIP, Accelerator Cable

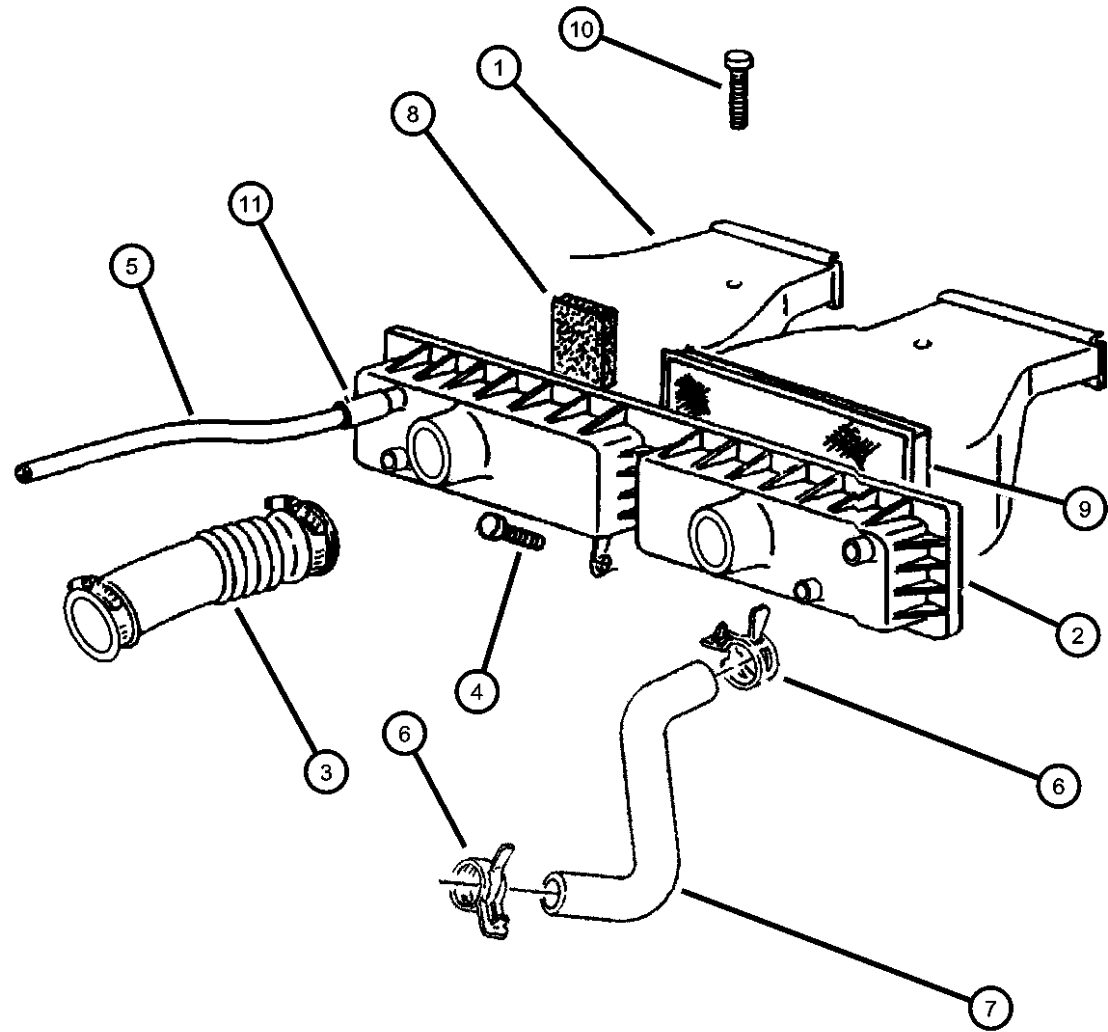
VIPER GTS COUPE,VIPER RT/10 ROADSTER (SR)

SERIES	LINE	BODY	ENGINE	TRANSMISSION
S = RT/10	D = DODGE	27 = 2-DR CONVERTIBLE	EWB = ENGINE - 8.0L V10	DEC = TRANSMISSION - 6-SPEED
S = GTS Coupe		29 = SPECIALTY COUPE	SFI	MANUAL
X = GTS/Lemans			EW0 = All 8.0L Gas	DBB = All Manual

AR = use ase required - = Non illustrated part

2000 SR

**Air Cleaner
Figure 14-810**



ITEM	PART NUMBER	QTY	LINE	SERIES	BODY	ENGINE	TRANS	TRIM	DESCRIPTION
1	04848870AA	1							HOUSING, Air Inlet
	05245780AB	1							Export
		1							International
		1							U.S., Canada, Mexico
2	05245312	1							HOUSING, Air Outlet
3	05245778AC	2							TUBE, Air Cleaner to T/Body
4	05245492	1							SCREW, Air Cleaner Cover
5	04763806AC	1				EWB			HARNES, CCV To Air Cleaner
6	06502018	2							CLAMP, Hose, M28.9 x 1.60, AIS Hose
7	04763805	1							HOSE, A.I.S. Supply
8	05245266	1							ELEMENT, Air Cleaner
9	05245265AB	2							ELEMENT, Air Cleaner
10	04848313	2							SCREW, Air Cleaner
11	05245455	1							HOSE, Crankcase Vent

VIPER GTS COUPE,VIPER RT/10 ROADSTER (SR)

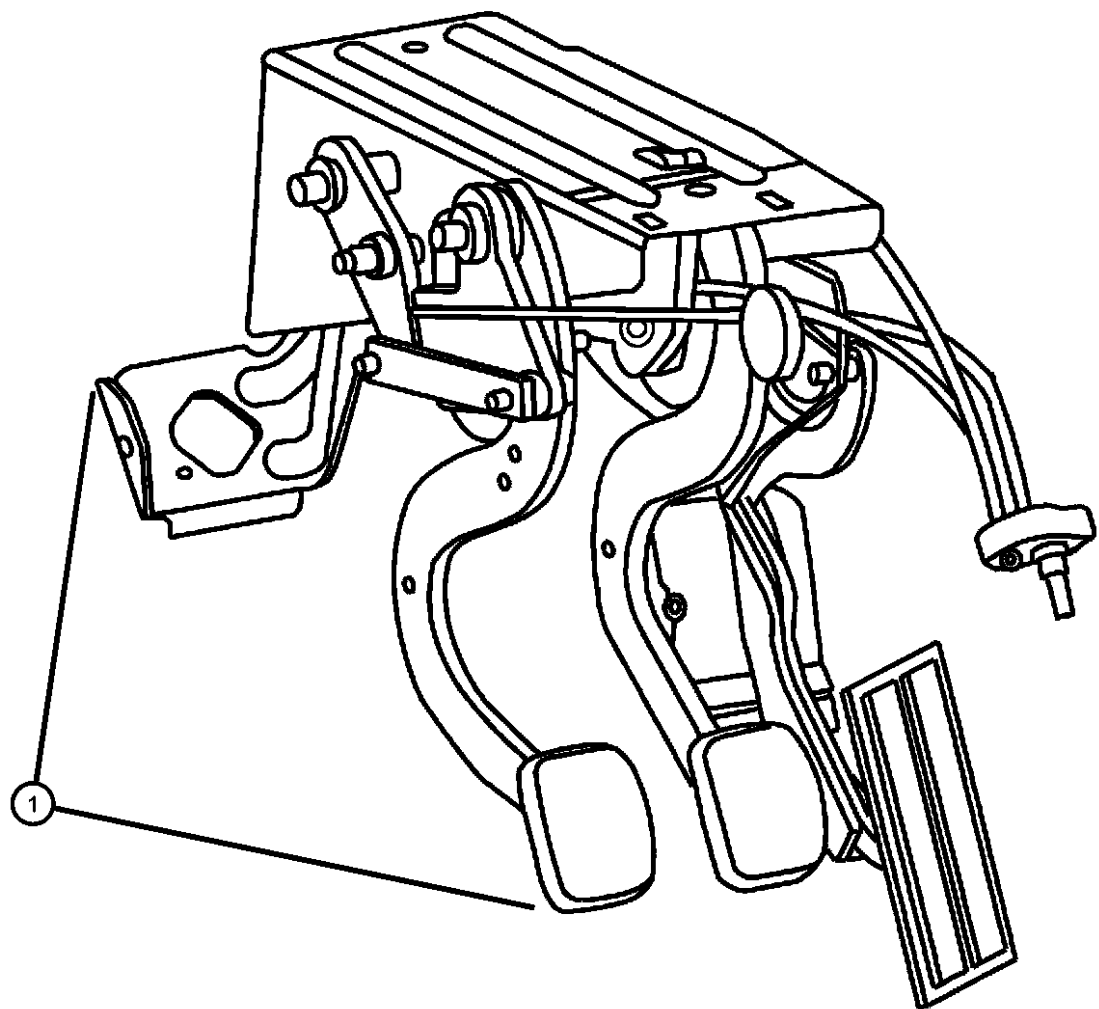
SERIES	LINE	BODY	ENGINE	TRANSMISSION
S = RT/10	D = DODGE	27 = 2-DR CONVERTIBLE	EWB = ENGINE - 8.0L V10	DEC = TRANSMISSION - 6-SPEED
S = GTS Coupe		29 = SPECIALTY COUPE	SFI	MANUAL
X = GTS/Lemans			EW0 = All 8.0L Gas	DBB = All Manual

AR = use ase required - = Non illustrated part

2000 SR

**Accelerator Pedal
Figure 14-1110**

ITEM	PART NUMBER	QTY	LINE	SERIES	BODY	ENGINE	TRANS	TRIM	DESCRIPTION
1	04763022AC	1							PEDAL, Brake, Clutch, and Accelerator
-2	04201048	1							SEAL, Accelerator Shaft Bracket
-3	06504516	2							NUT AND WASHER, M6x1.00



VIPER GTS COUPE,VIPER RT/10 ROADSTER (SR)

SERIES	LINE	BODY	ENGINE	TRANSMISSION
S = RT/10	D = DODGE	27 = 2-DR CONVERTIBLE	EWB = ENGINE - 8.0L V10	DEC = TRANSMISSION - 6-SPEED
S = GTS Coupe		29 = SPECIALTY COUPE	SFI	MANUAL
X = GTS/Lemans			EW0 = All 8.0L Gas	DBB = All Manual

AR = use ase required - = Non illustrated part

2000 SR

Group - 16

Propeller Shafts and U-Joints

Group - 16 Propeller Shafts and U-Joints

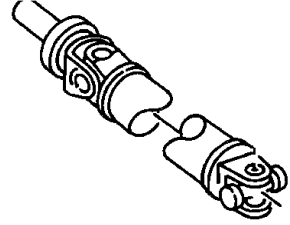
Group-Fig. No.

Illustration Title

Propeller Shaft

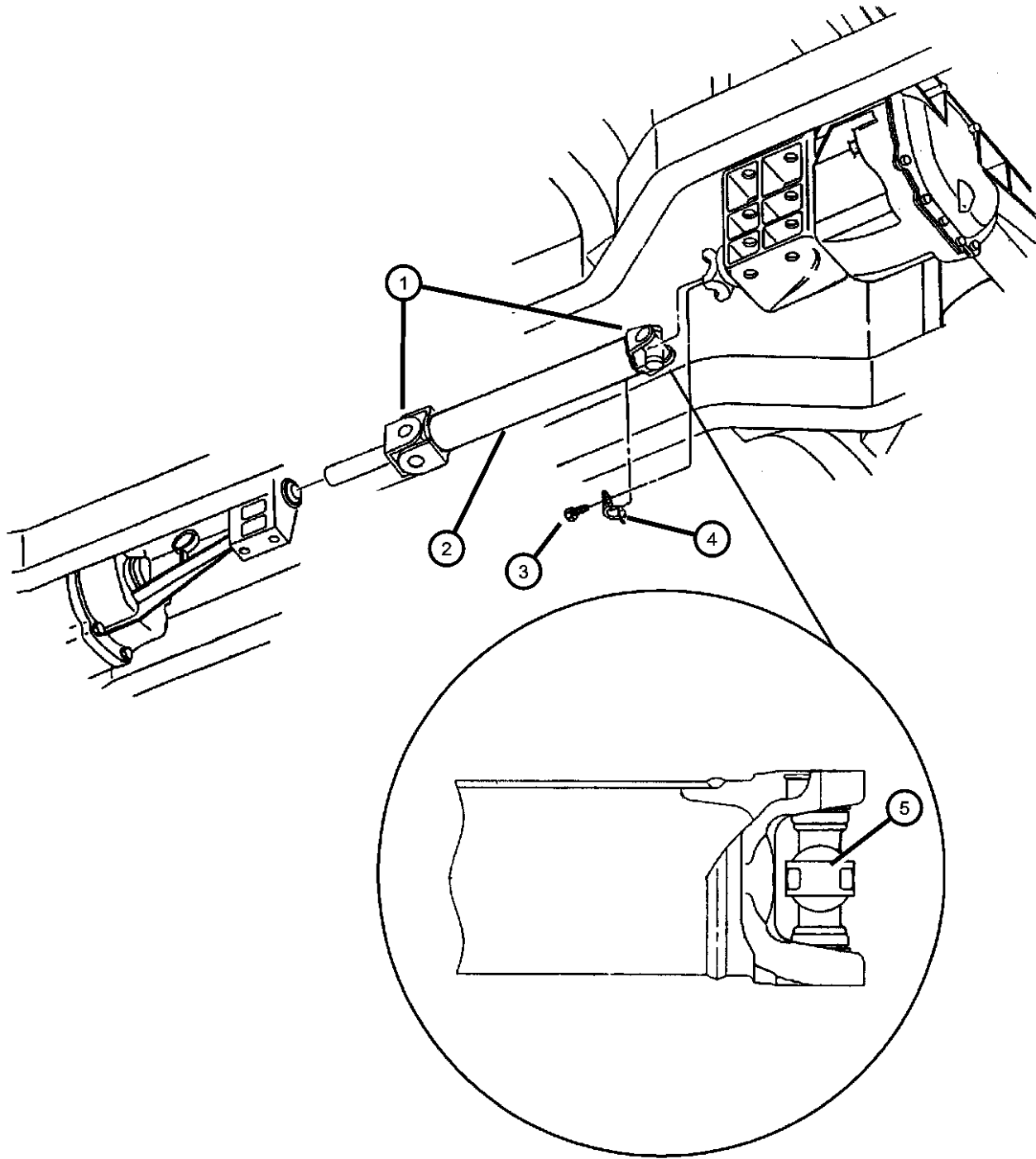
Shaft, Propeller.....Fig. 16 - 110

016-100
Propeller Shaft



Shaft, Propeller
Figure 16-110

ITEM	PART NUMBER	QTY	LINE	SERIES	BODY	ENGINE	TRANS	TRIM	DESCRIPTION
1	04797307	4							U JOINT
2	04642040	1							SHAFT, Drive
3	06502581	12							BOLT, Hex Flange Head, M8x1.0x19
4	04428723	6							CLAMP, U-Joint
5	04428723	6							STRAP, Bearing (For Shipping, (NOT SERVICED))



VIPER GTS COUPE,VIPER RT/10 ROADSTER (SR)

SERIES	LINE	BODY	ENGINE	TRANSMISSION
S = RT/10	D = DODGE	27 = 2-DR CONVERTIBLE	EWB = ENGINE - 8.0L V10	DEC = TRANSMISSION - 6-SPEED
S = GTS Coupe		29 = SPECIALTY COUPE	SFI	MANUAL
X = GTS/Lemans			EW0 = All 8.0L Gas	DBB = All Manual

AR = use ase required - = Non illustrated part

2000 SR

Group - 17

Rear Suspension

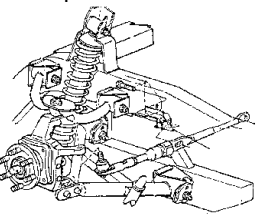
Group - 17 Rear Suspension

Group-Fig. No.

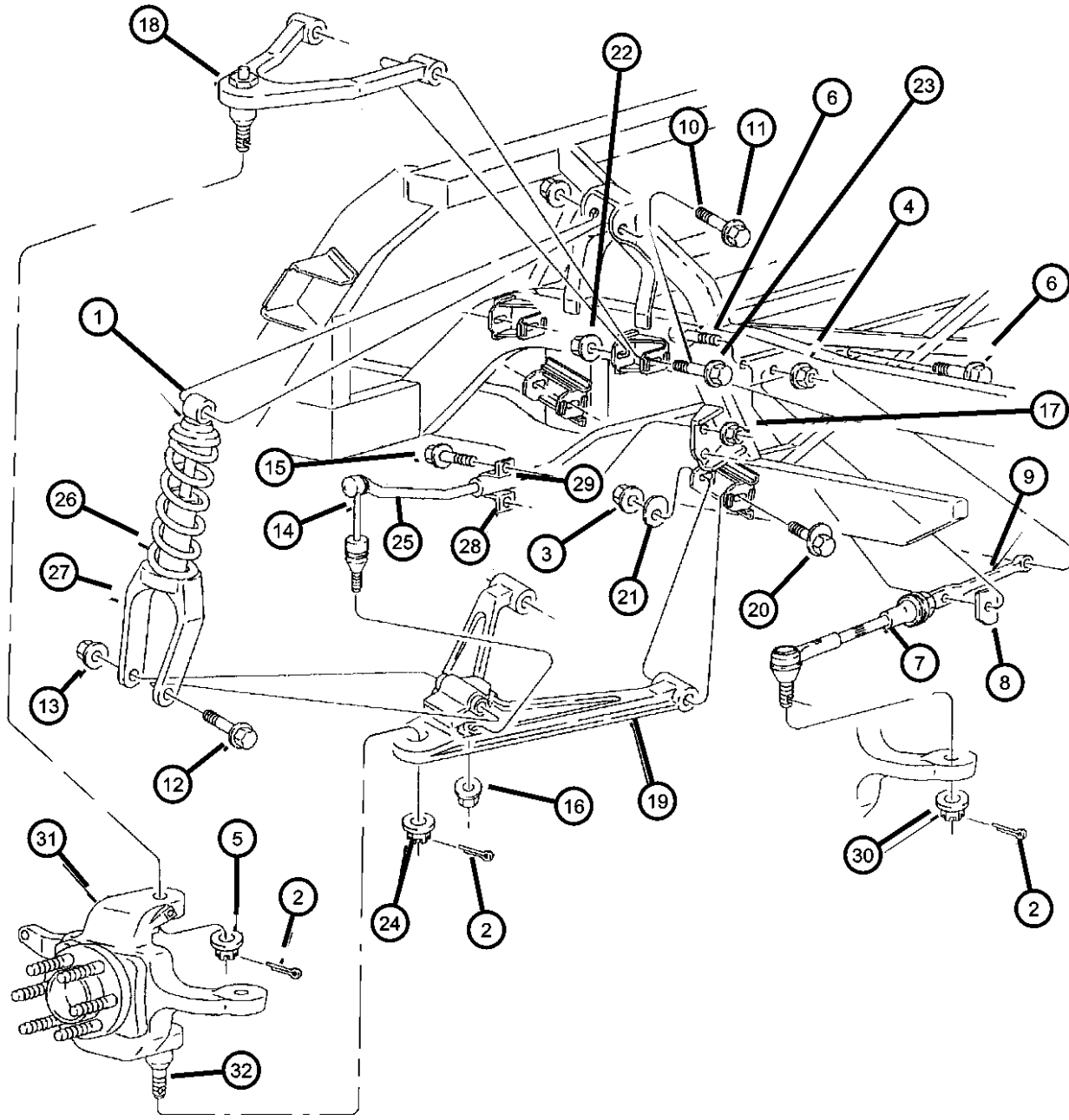
Illustration Title

Rear Suspension

Suspension, RearFig. 17 - 120

<p>017-100 Rear Suspension</p> 			
--	--	--	--

Suspension, Rear
Figure 17-120



ITEM	PART NUMBER	QTY	LINE	SERIES	BODY	ENGINE	TRANS	TRIM	DESCRIPTION
1									SHOCK ABSORBER, Suspension, Rear
	04848508	2							Sport Group [SDE]
	04854449AA	2							Assembly with Spring, Competition Group [SDK] Upto 3-14-00
	05264841AA	2							Shock only, Competition Group [SDK] Upto 3-14-00
	05264920AA	1							Shock only, Competition Group [SDK] After 3-14-00
	05264920AB	1							Shock only, Competition Group [SDK] After 3-14-00
	05290552AA	1							Assembly with Spring, Competition Group [SDK] After 3-14-00
	05290915AA	1				29			Assembly with Spring, Competition Group [SDK]
2	00120123	2							PIN, Cotter
3	00152349	4							NUT, Hex, .50-20
4	06502337	2							NUT, M10x1.5
5	06035641	2							NUT, Hex, .625-18
6	06101063	4							SCREW AND WASHER, M10x1.5x45
7	04763159	2							LINK, Trailing Rear Suspension
8									SHIM, Tow Link To Frame
	04643912	AR							(NOM)
	04643914	AR							(4U)
	04643915	AR							(6U)
	04643985	AR							(2D)
	04643986	AR							(4D)
	04643987	AR							(6D)
9	04709309	2							ROD, Toe Link
10	06100969	2							BOLT, Hex Flange Head, M14x2.00x90, [SDE]
11	06036254AA	4							SCREW, [SDK]
12	06504189	2							SCREW, M14x2.00x127.00
13	06502698	2							NUT, M14X2.00
14	04709289	2							LINK, Rear Suspension Assist
15	04709289	2							SCREW, W/Washer M10x1.50x30.00, (NOT SERVICED)
16	06502556	2							NUT, Hex, M10-1.5
17	06100219	2							NUT, Hex Jam, M10x1.5

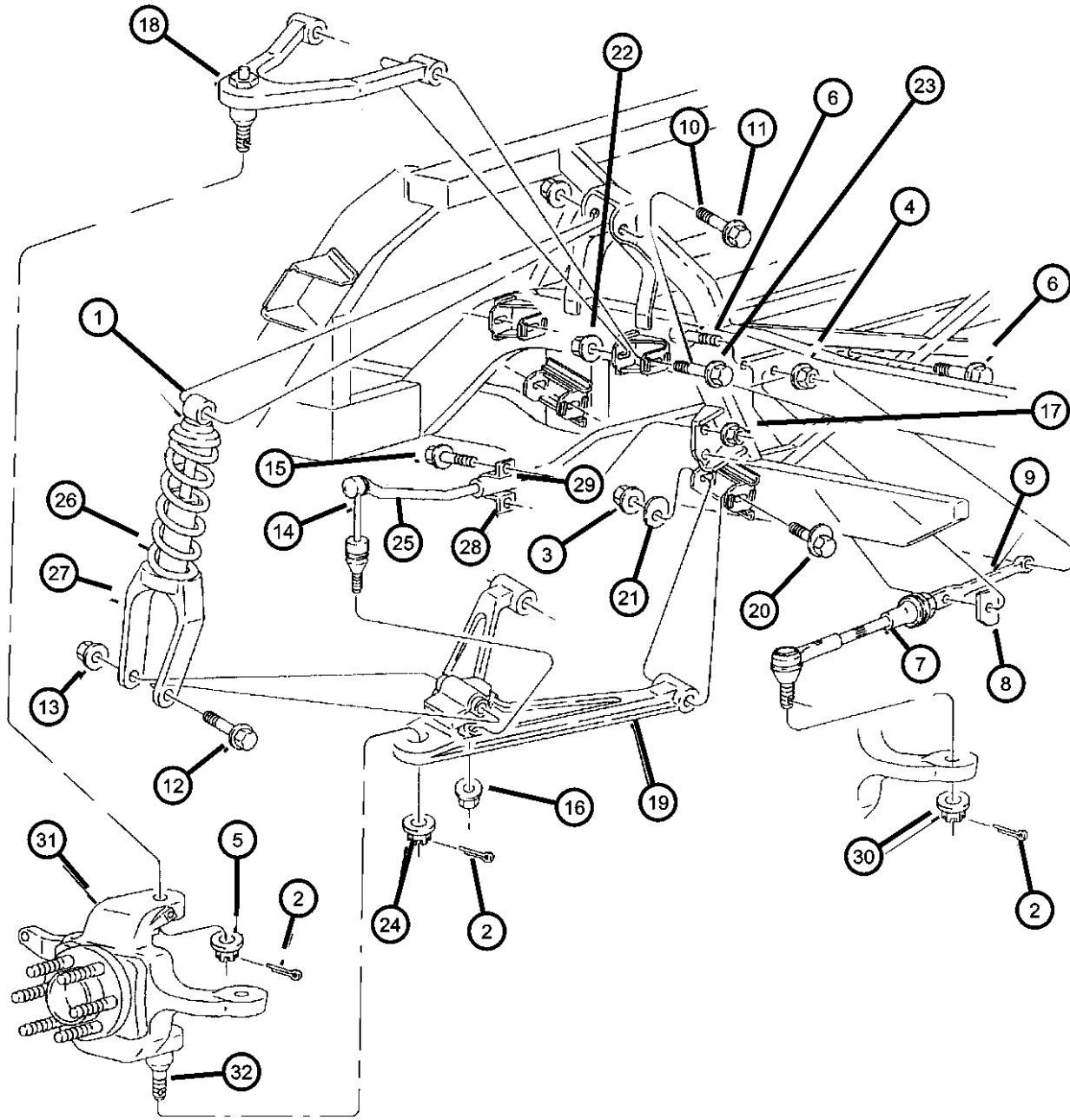
VIPER GTS COUPE,VIPER RT/10 ROADSTER (SR)

SERIES	LINE	BODY	ENGINE	TRANSMISSION
S = RT/10	D = DODGE	27 = 2-DR CONVERTIBLE	EWB = ENGINE - 8.0L V10	DEC = TRANSMISSION - 6-SPEED
S = GTS Coupe		29 = SPECIALTY COUPE	SFI	MANUAL
X = GTS/Lemans			EW0 = All 8.0L Gas	DBB = All Manual

AR = use ase required - = Non illustrated part

2000 SR

Suspension, Rear
Figure 17-120



ITEM	PART NUMBER	QTY	LINE	SERIES	BODY	ENGINE	TRANS	TRIM	DESCRIPTION
18	04709320	2							ARM, Control
19	04709324	1							ARM, Control Lower, Right
	04709325	1							Lower, Left
20	04709323	4							BOLT, Control Arm Cam
21	02269232	4							CAM, Front Suspension Control Arm
22	06502585	4							NUT, Engine Mounting, M12 x 1.75, Rear Upper Control Arm
23	06035670	4							NUT, Hex, W/Washer M12x1.75x95.00, .687-18
24	06035670	4							NUT, Hex, .687-18
25	04848646	1							BAR, Rear Sway
26									SPRING, Rear Coil
	04873203	2							[SDE]
	05264843AA	2							[SDK]
27	04709316	2							BRACKET, Suspension
28	04404219	2							RETAINER, Stabilizer Bar Grommet
29	04643031	2							BUSHING, Stabilizer Bar
30	06036331AA	2							NUT, Hex Slotted
31									KNUCKLE, Rear
	04709281	1							Left
	04709282	1							Right
32	04848174AB	1							BALL JOINT, Lower Control Arm
-33	04848173	1							GASKET, Ball Joint
-34	06030099	1							FITTING, Ball Joint, Zirc

VIPER GTS COUPE,VIPER RT/10 ROADSTER (SR)

SERIES	LINE	BODY	ENGINE	TRANSMISSION
S = RT/10	D = DODGE	27 = 2-DR CONVERTIBLE	EWB = ENGINE - 8.0L V10	DEC = TRANSMISSION - 6-SPEED
S = GTS Coupe		29 = SPECIALTY COUPE	SFI	MANUAL
X = GTS/Lemans			EW0 = All 8.0L Gas	DBB = All Manual

AR = use ase required - = Non illustrated part

2000 SR

Group - 19

Steering

Group - 19 Steering

Group-Fig. No.

Illustration Title

Steering Wheel

Wheel, SteeringFig. 19 - 120

Steering Column

Column Assembly And MountingFig. 19 - 230

Steering Gear

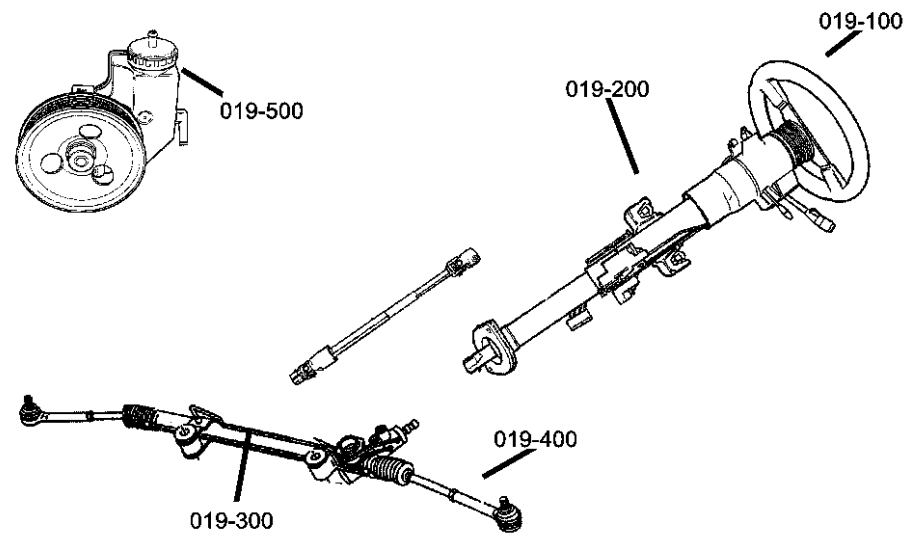
Gear, Rack & Pinion Power And Attaching PartsFig. 19 - 310

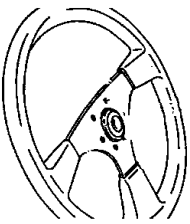
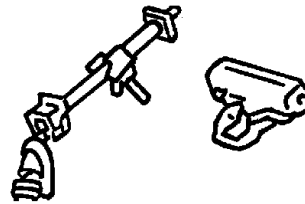
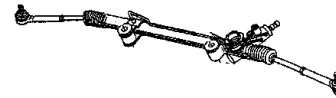
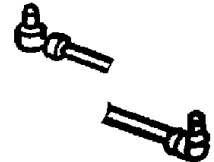
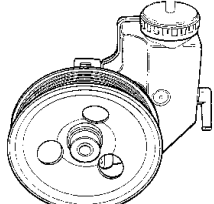
Steering Linkage

Tie Rod EndsFig. 19 - 410

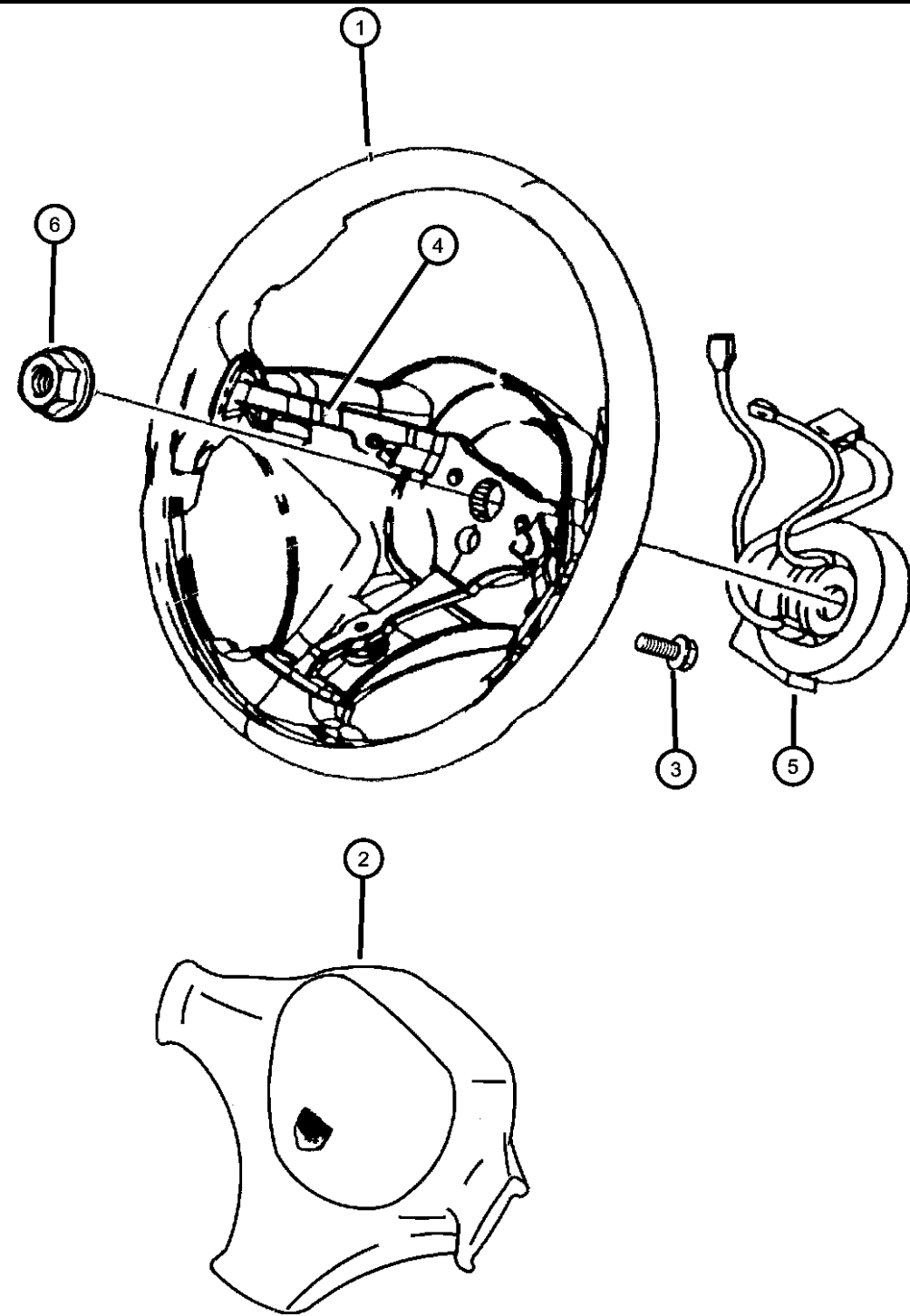
Power Steering Pump

Pump And Hoses, Power SteeringFig. 19 - 510



<p>019-100 Steering Wheel</p> 	<p>019-200 Steering Column</p> 	<p>019-300 Steering Gear</p> 	<p>019-400 Steering Linkage</p> 
<p>019-500 Power Steering Pump</p> 			

Wheel, Steering
Figure 19-120



ITEM	PART NUMBER	QTY	LINE	SERIES	BODY	ENGINE	TRANS	TRIM	DESCRIPTION
1	0PB411UC	1							WHEEL, Steering Black
	0PB41SX9	1							Flat Black
2	0LB45JX8AB	1							AIR BAG, Driver
3	06503771	3							SCREW, Hex Flange Head, M6x1x23
4	06503771	3							SWITCH, Horn, (Serviced with Wheel), (NOT SERVICED)
5	04848437	1							CLOCKSPRING
6	06505248AA	1							NUT, Hex Flange Lock

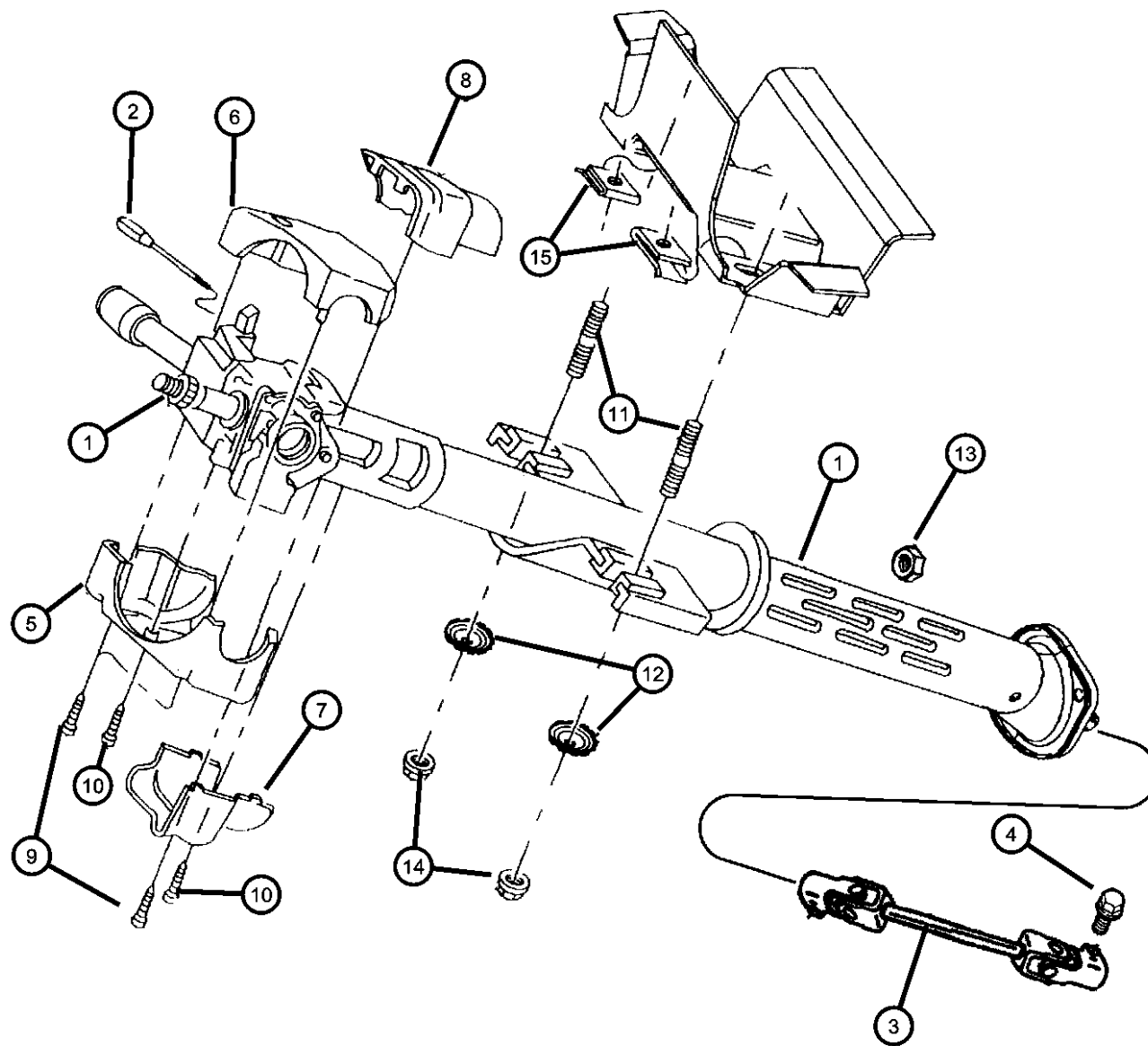
VIPER GTS COUPE,VIPER RT/10 ROADSTER (SR)

SERIES	LINE	BODY	ENGINE	TRANSMISSION
S = RT/10	D = DODGE	27 = 2-DR CONVERTIBLE	EWB = ENGINE - 8.0L V10	DEC = TRANSMISSION - 6-SPEED
S = GTS Coupe		29 = SPECIALTY COUPE	SFI	MANUAL
X = GTS/Lemans			EW0 = All 8.0L Gas	DBB = All Manual

AR = use ase required - = Non illustrated part

2000 SR

**Column Assembly And Mounting
Figure 19-230**



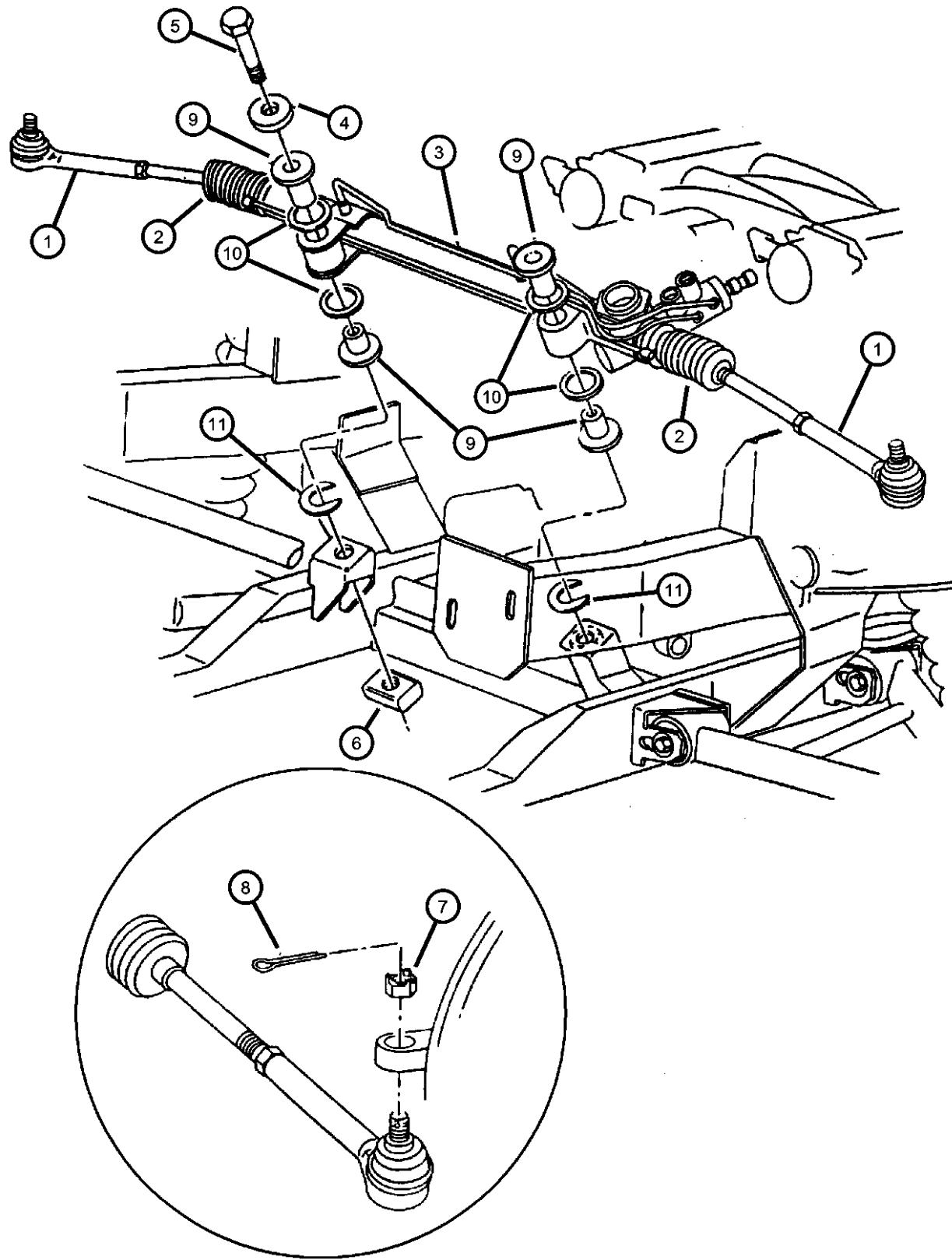
ITEM	PART NUMBER	QTY	LINE	SERIES	BODY	ENGINE	TRANS	TRIM	DESCRIPTION
1	04848908AB	1							COLUMN, Steering, Tilt (European)
	04874334AB	1							
2	04470103	1							LEVER, Tilt Column Release
3	04470103	1							SHAFT, Steering Column, (Service in Item 1, (NOT SERVICED))
4	06504926AA	1							SCREW, Hex Flange Head, M10x1.5x40
5	0KJ95JX8AB	1							SHROUD, Steering Column
6	0DH69JX8AC	1							SHROUD, Lock Housing
7	0BA65KX8	1							SHROUD, Steering Column
8	0BA65KX8	1							SHROUD, Steering Column
9	04470105	1							SCREW, Filister Head, #8-16x.25
10	06035142	1							SCREW, .164-32x1.00, .164-32x1.00
11	06502390	2							STUD, M6x1.00x43.80
12	06502390	2							WASHER, .250x1.135x.062, (NOT SERVICED)
13	06100517	2							NUT, Hex Flange Lock, M8 Phosphate
14	06501730	2							NUT, Retainer, M6 x 1.00
15	06101308	2							NUT, U, M6x1
-16	04470605	1							KNOB, TILT LEVER RELEASE

VIPER GTS COUPE,VIPER RT/10 ROADSTER (SR)

SERIES	LINE	BODY	ENGINE	TRANSMISSION
S = RT/10	D = DODGE	27 = 2-DR CONVERTIBLE	EWB = ENGINE - 8.0L V10	DEC = TRANSMISSION - 6-SPEED
S = GTS Coupe		29 = SPECIALTY COUPE	SFI	MANUAL
X = GTS/Lemans			EW0 = All 8.0L Gas	DBB = All Manual

AR = use ase required - = Non illustrated part

Gear, Rack & Pinion Power And Attaching Parts
Figure 19-310



ITEM	PART NUMBER	QTY	LINE	SERIES	BODY	ENGINE	TRANS	TRIM	DESCRIPTION
1	52037501	1							END, Tie Rod
2	52037502	1							BOOT, Steering Gear
3	04709489	1							GEAR, Power Steering
4	06034710	AR							WASHER, Flat
5	06033181	2		S					BOLT, Hex Head, .625-11x3.75
6	04117796	1							NUT, Pivot Arm
7	06036331AA	2							NUT, Hex Slotted
8	00120123	2							PIN, Cotter
9	04642116	4							ISOLATOR, Steering Gear
10	04708035	2							O RING, Steering Gear
11	04708475	AR							SHIM, Steering Gear, 0.5mm
-12	04708070	AR							SHIM, Steering Gear, 1.0mm
-13	04708068	AR							SHIM, Steering Gear, 1.5mm
-14	04708069	AR							SHIM, Steering Gear, 3.0mm

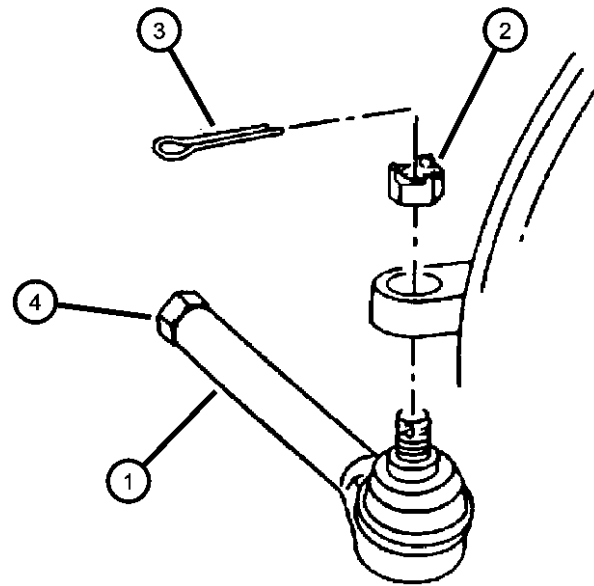
VIPER GTS COUPE,VIPER RT/10 ROADSTER (SR)

SERIES	LINE	BODY	ENGINE	TRANSMISSION
S = RT/10	D = DODGE	27 = 2-DR CONVERTIBLE	EWB = ENGINE - 8.0L V10	DEC = TRANSMISSION - 6-SPEED
S = GTS Coupe		29 = SPECIALTY COUPE	SFI	MANUAL
X = GTS/Lemans			EW0 = All 8.0L Gas	DBB = All Manual

AR = use ase required - = Non illustrated part

**Tie Rod Ends
Figure 19-410**

ITEM	PART NUMBER	QTY	LINE	SERIES	BODY	ENGINE	TRANS	TRIM	DESCRIPTION
1	52037501	1							END, Tie Rod
2	06036331AA	2							NUT, Hex Slotted
3	00120123	2							PIN, Cotter
4	00120123	2							NUT, Jam (Service in Tie Rod), (NOT SERVICED)



VIPER GTS COUPE,VIPER RT/10 ROADSTER (SR)

SERIES	LINE	BODY	ENGINE	TRANSMISSION
S = RT/10	D = DODGE	27 = 2-DR CONVERTIBLE	EWB = ENGINE - 8.0L V10	DEC = TRANSMISSION - 6-SPEED
S = GTS Coupe		29 = SPECIALTY COUPE	SFI	MANUAL
X = GTS/Lemans			EW0 = All 8.0L Gas	DBB = All Manual

AR = use ase required - = Non illustrated part

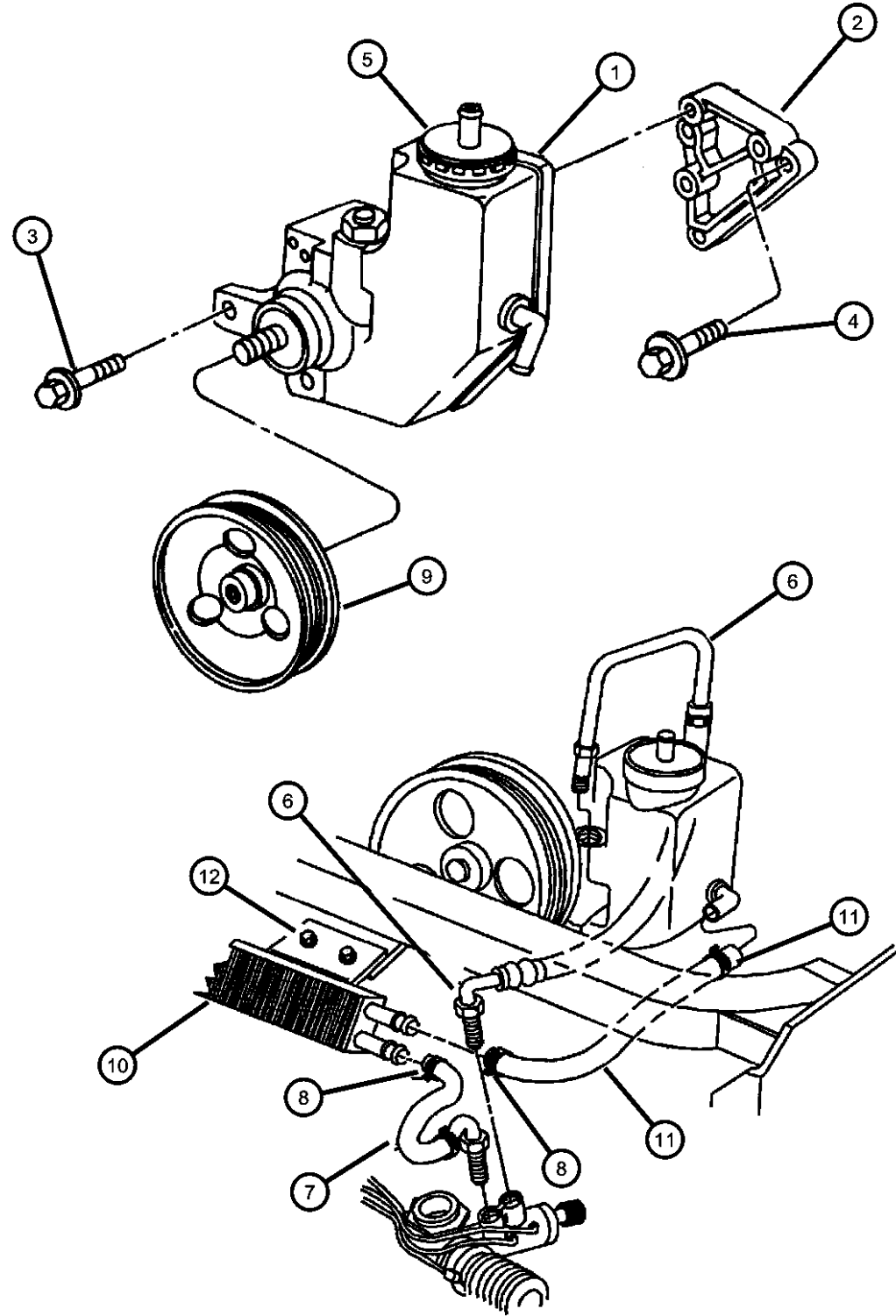
2000 SR

Pump And Hoses, Power Steering
Figure 19-510

ITEM	PART NUMBER	QTY	LINE	SERIES	BODY	ENGINE	TRANS	TRIM	DESCRIPTION
------	-------------	-----	------	--------	------	--------	-------	------	-------------

Note: Sales Code EWB= 8.0L V10 SFI

1	04642153 04883077	1				EWB			PUMP, Power Steering Mopar Power Steering Fluid Quart
2	05245799	1				EWB			BRACKET, Power Steering Pump
3	06034244	3				EWB			SCREW AND WASHER, Hex Head, .312-18x3.50
4	06035558	3				EWB			SCREW, Hex Flange Head, .375-16x1.50
5	04796473	1				EWB			CAP, Power Steering Reservoir
6	04848104	1							HOSE, Power Steering Pressure
7	04642601	1							HOSE, Power Steering Return
8	02448761	1							CLAMP, Hose
9	53011017	1				EWB			PULLEY, Power Steering Pump
10	04848617	1							COOLER, Power Steering
11	04642601	1							HOSE, Power Steering Return
12	06022202	2							SCREW AND WASHER, Hex Head, .25-20x.625
-13	83503495	1				EWB			RESERVOIR, Power Steering Pump



VIPER GTS COUPE,VIPER RT/10 ROADSTER (SR)

SERIES	LINE	BODY	ENGINE	TRANSMISSION
S = RT/10	D = DODGE	27 = 2-DR CONVERTIBLE	EWB = ENGINE - 8.0L V10	DEC = TRANSMISSION - 6-SPEED
S = GTS Coupe		29 = SPECIALTY COUPE	SFI	MANUAL
X = GTS/Lemans			EW0 = All 8.0L Gas	DBB = All Manual

AR = use ase required - = Non illustrated part

2000 SR

Group - T56

Manual Transmission 6 Speed

Group - T56 Manual Transmission 6 Speed

Illustration Title

Group-Fig. No.

Transmission

Transmission Assembly Fig. T56 - 110

Case & Extension

Case And Extension Fig. T56 - 210

Transmission Mounting

Transmission Mounting Fig. T56 - 310

Gear Train

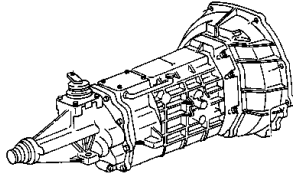
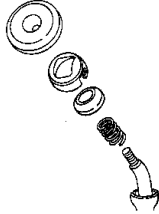
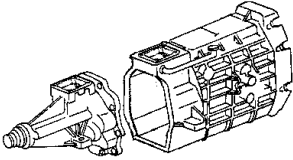
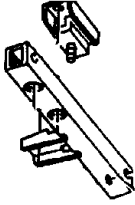
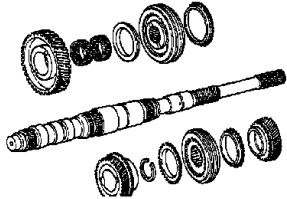
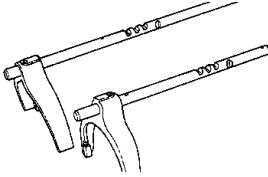
Gear Train Fig. T56 - 410

Forks and Rails

Shift Forks, Rails, Miscellaneous Parts Fig. T56 - 910

Gear Shift Controls

Gear Shift Fig. T56 - 1210

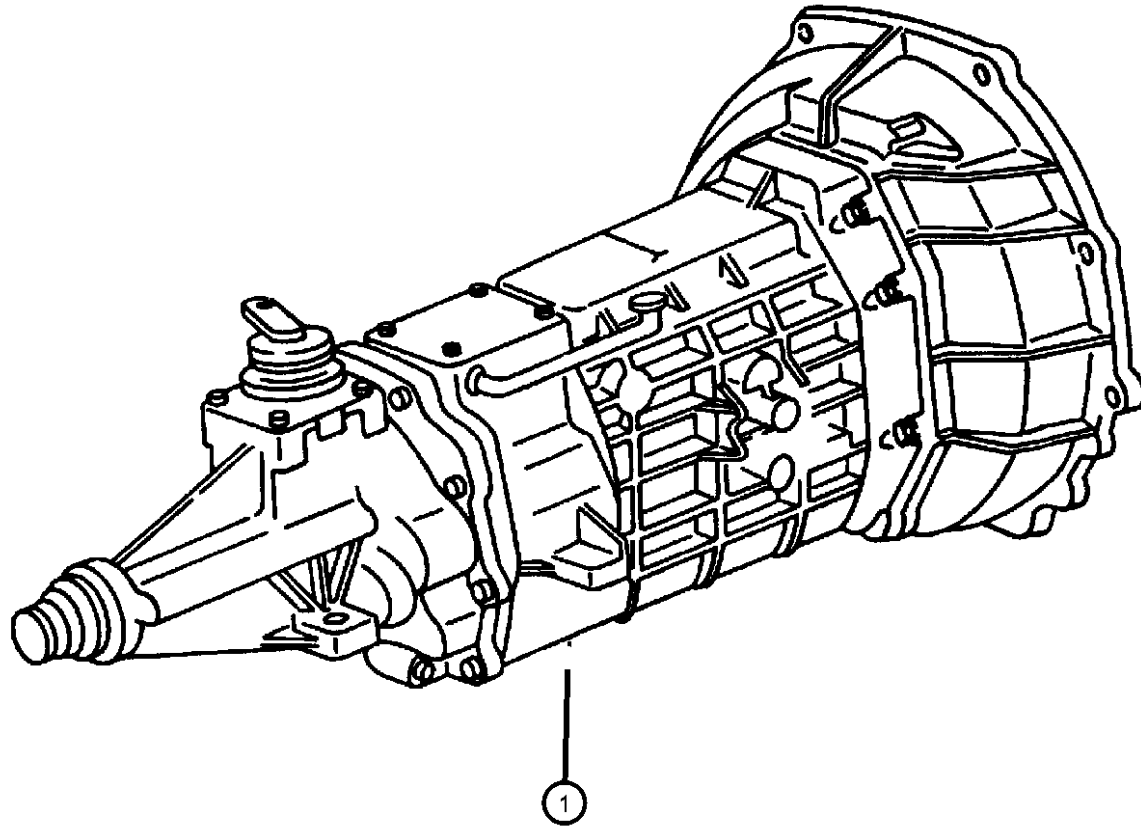
<p>T56-100 Transmission</p> 	<p>T56-1200 Gear Shift Controls</p> 	<p>T56-200 Case & Extension</p> 	<p>T56-300 Transmission Mounting</p> 
<p>T56-400 Gear Train</p> 	<p>T56-900 Forks and Rails</p> 		

**Transmission Assembly
Figure T56-110**

ITEM	PART NUMBER	QTY	LINE	SERIES	BODY	ENGINE	TRANS	TRIM	DESCRIPTION
------	-------------	-----	------	--------	------	--------	-------	------	-------------

SALES CODE: DEC = 6 Spd Manual Trans

1	05018770AA	1					DEC		TRANSMISSION, 6 speed, WITHOUT 4626594 Bell Housing
	04874459								Mopar Manual Transmission Fluid
	04773590								Mopar Automatic Transmission Fluid Quart
	04773591AC								Mopar Automatic Transmission Fluid Gallon



VIPER GTS COUPE,VIPER RT/10 ROADSTER (SR)

SERIES	LINE	BODY	ENGINE	TRANSMISSION
S = RT/10	D = DODGE	27 = 2-DR CONVERTIBLE	EWB = ENGINE - 8.0L V10	DEC = TRANSMISSION - 6-SPEED
S = GTS Coupe		29 = SPECIALTY COUPE	SFI	MANUAL
X = GTS/Lemans			EW0 = All 8.0L Gas	DBB = All Manual

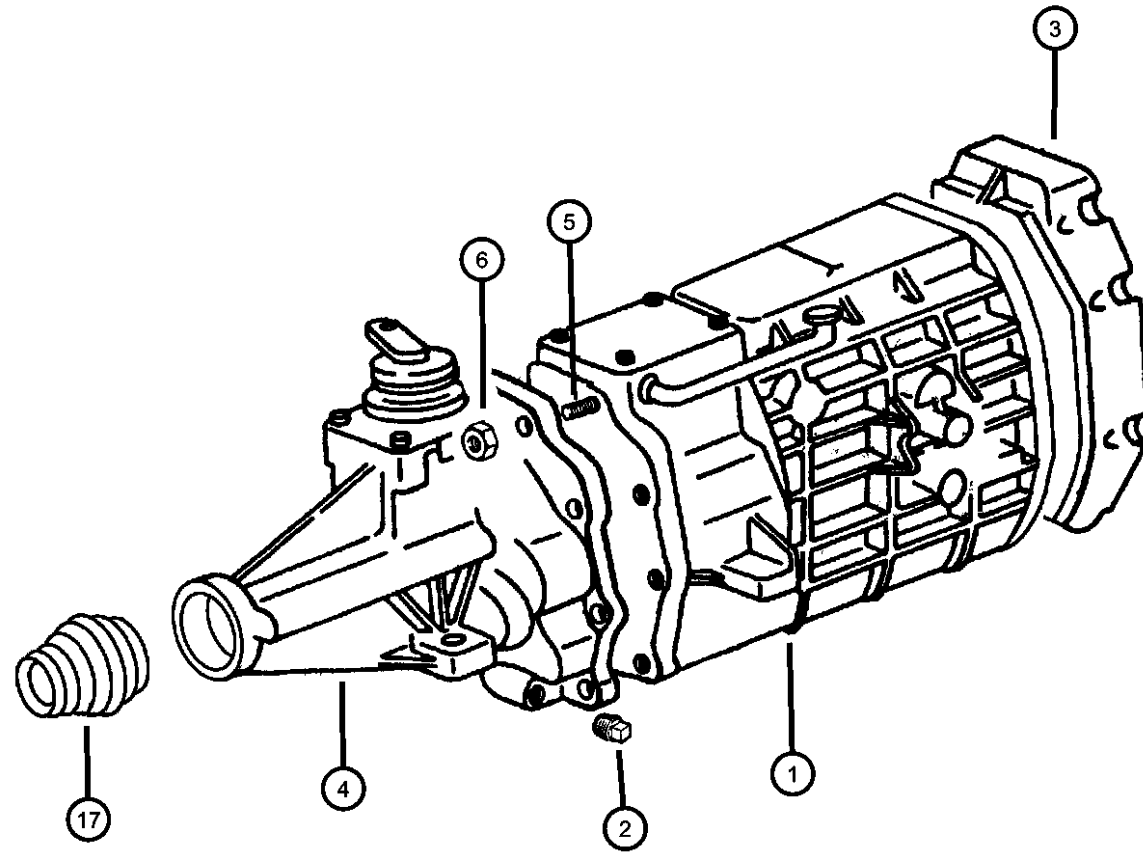
AR = use ase required - = Non illustrated part

2000 SR

Case And Extension
Figure T56-210

ITEM	PART NUMBER	QTY	LINE	SERIES	BODY	ENGINE	TRANS	TRIM	DESCRIPTION
------	-------------	-----	------	--------	------	--------	-------	------	-------------

SALES CODE: DEC = 6 Spd Manual Trans



1	04626460	1					DEC		CASE, Transmission
2	04626591	1					DEC		PLUG, Oil Fill
3	04626511	1					DEC		ADAPTER, Transmission
4	04886337AA	1					DEC		CASE, Transmission Rear
5	04626461	1					DEC		STUD
6	04626568	1					DEC		NUT, Transmission Case
-7	04626513	1					DEC		DOWEL, Transmission Case
-8	04626514	1					DEC		DOWEL, Transmission Case
-9	04626515	1					DEC		SEAL, Input Shaft
-10	04626520	1					DEC		BOLT, Transmission Case
-11	04626567	1					DEC		MAGNET, Transmission
-12	04626520	1					DEC		BOLT, Transmission Case
-13	04626573	1					DEC		BREATHER, Transmission Case
-14	04626591	1					DEC		PLUG, Oil Fill
-15	04626592	1					DEC		VENT, Transmission Pipe
-16	04626570	1					DEC		CLIP, Vent Tube
17	04531216	1					DEC		SEAL, Extension Yoke

VIPER GTS COUPE,VIPER RT/10 ROADSTER (SR)

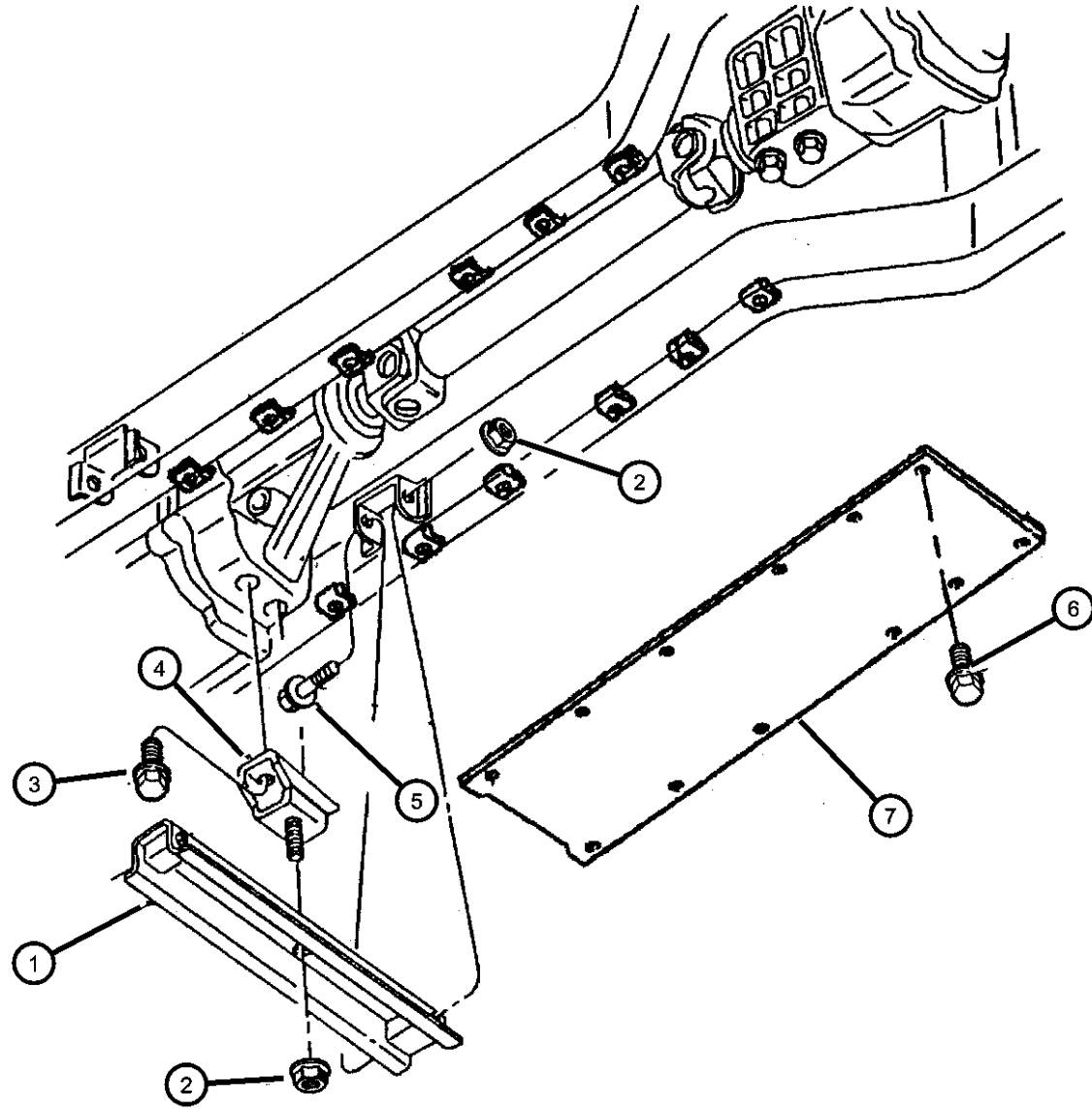
SERIES	LINE	BODY	ENGINE	TRANSMISSION
S = RT/10	D = DODGE	27 = 2-DR CONVERTIBLE	EWB = ENGINE - 8.0L V10	DEC = TRANSMISSION - 6-SPEED
S = GTS Coupe		29 = SPECIALTY COUPE	SFI	MANUAL
X = GTS/Lemans			EW0 = All 8.0L Gas	DBB = All Manual

AR = use ase required - = Non illustrated part

2000 SR

**Transmission Mounting
Figure T56-310**

ITEM	PART NUMBER	QTY	LINE	SERIES	BODY	ENGINE	TRANS	TRIM	DESCRIPTION
1	04763813	1							CROSSMEMBER, Transmission
2	06502696	3							NUT, Hex Flange Lock, M10x1.5
3	06501596	2							SCREW AND WASHER, Hex Head, M10x1.5x45
4	04643318	1							MOUNT, Transmission
5	06101707	2							BOLT, M10x1.50x75
6	06503571	3							SCREW AND WASHER, M10x1.50x35
7	04642876	1							PLATE, Floor Console

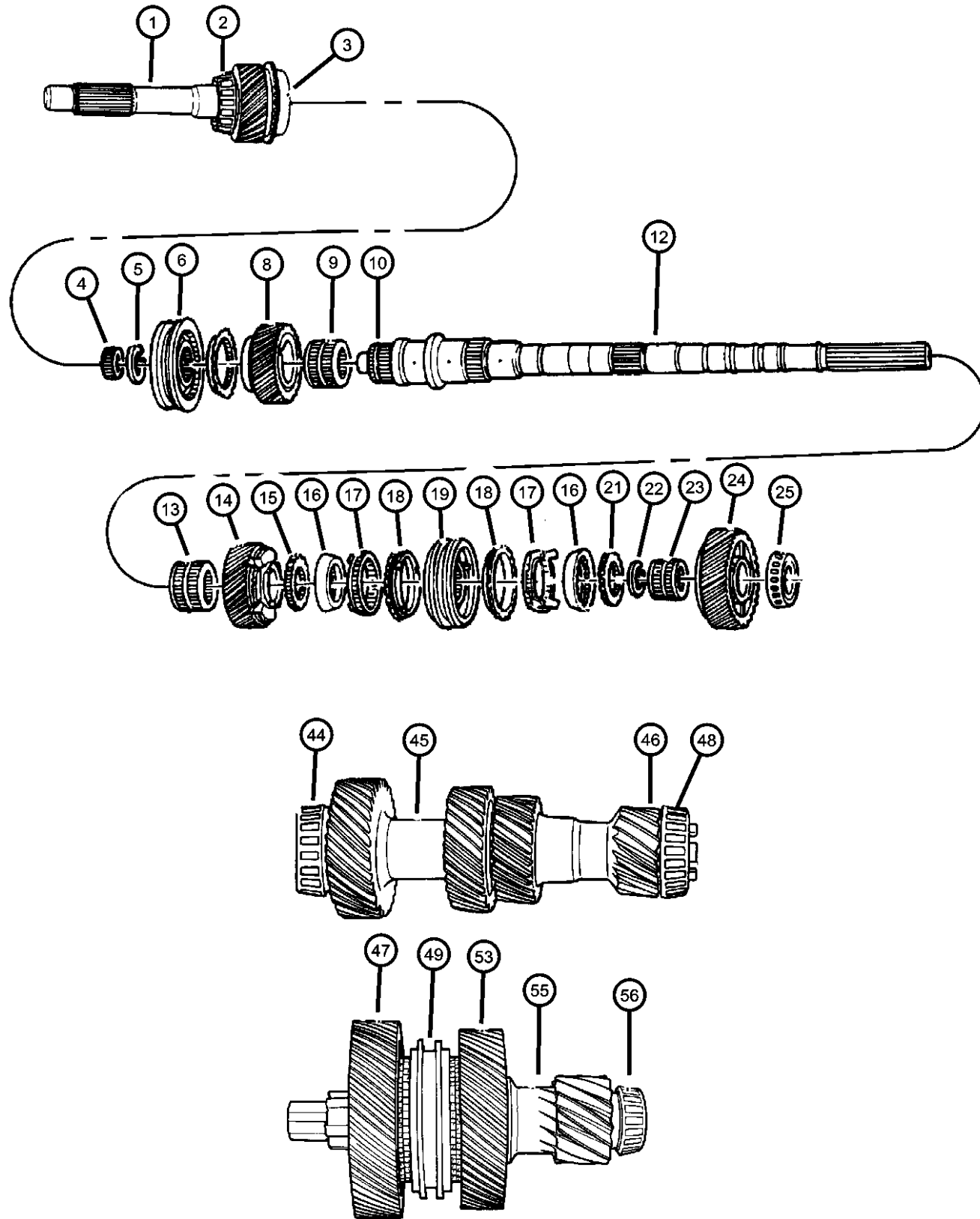


VIPER GTS COUPE,VIPER RT/10 ROADSTER (SR)

SERIES	LINE	BODY	ENGINE	TRANSMISSION
S = RT/10	D = DODGE	27 = 2-DR CONVERTIBLE	EWB = ENGINE - 8.0L V10	DEC = TRANSMISSION - 6-SPEED
S = GTS Coupe		29 = SPECIALTY COUPE	SFI	MANUAL
X = GTS/Lemans			EW0 = All 8.0L Gas	DBB = All Manual

AR = use ase required - = Non illustrated part

**Gear Train
Figure T56-410**



ITEM	PART NUMBER	QTY	LINE	SERIES	BODY	ENGINE	TRANS	TRIM	DESCRIPTION
SALES CODE: DEC = 6 Spd Manual Trans									
1	04626574	1					DEC		INPUT SHAFT PACKAGE, Transaxle, w/Bearing\
2	04626737	1					DEC		BEARING PACKAGE, Input Shaft
3	04626476	1					DEC		STOP RING, Synchronizer, 3rd and 4th
4	04626736	1					DEC		BEARING PACKAGE, Mainshaft, Front
5	04626487	1					DEC		SNAP RING
6	04626474	1					DEC		STRUT, Synchronizer
-7	04626475	1					DEC		SPRING, 3rd And 4th Synchronizer
8	04626471	1					DEC		GEAR, Third
9	04626469	1					DEC		NEEDLE BEARING, Third Gear
10	04626549	1					DEC		BEARING CONE, Idler Gear, Reverse
-11	04626470	1					DEC		SPACER, Third Gear
12	04626467	1					DEC		MAINSHAFT, Transmission
13	04626469	1					DEC		NEEDLE BEARING, Third Gear, 2nd Speed Needle
14	04626478	1					DEC		GEAR, Second
15	04626564	1					DEC		SNAP RING, Mainshaft
16	04626484	1					DEC		FRICITION CONE, Second Gear Inner
17	04626485	1					DEC		FRICITION CONE, Second Gear Inner
18	04626483	1					DEC		RING, 1st and 2nd Speed Blocker
19	04626481	1					DEC		KEY, Synchronizer
-20	04626482	1					DEC		SPRING, Synchronizer
21	04626536	1					DEC		SNAP RING
22	04626487	1					DEC		SNAP RING
23	04626488	1					DEC		NEEDLE BEARING, First Gear, 1st Speed Needle
24	04626489	1					DEC		GEAR, First
25	04626734	1					DEC		BEARING PACKAGE, Mainshaft, Rear
-26	04626486	1					DEC		THRUST WASHER, First And Second Gear
-27	04626552	1					DEC		GEAR, Fifth, 5th - 6th Speed
-28	04626474	1					DEC		STRUT, Synchronizer
-29	04626534	1					DEC		SPRING, Synchronizer
-30	04626554	1					DEC		RETAINER, Reverse Syncro

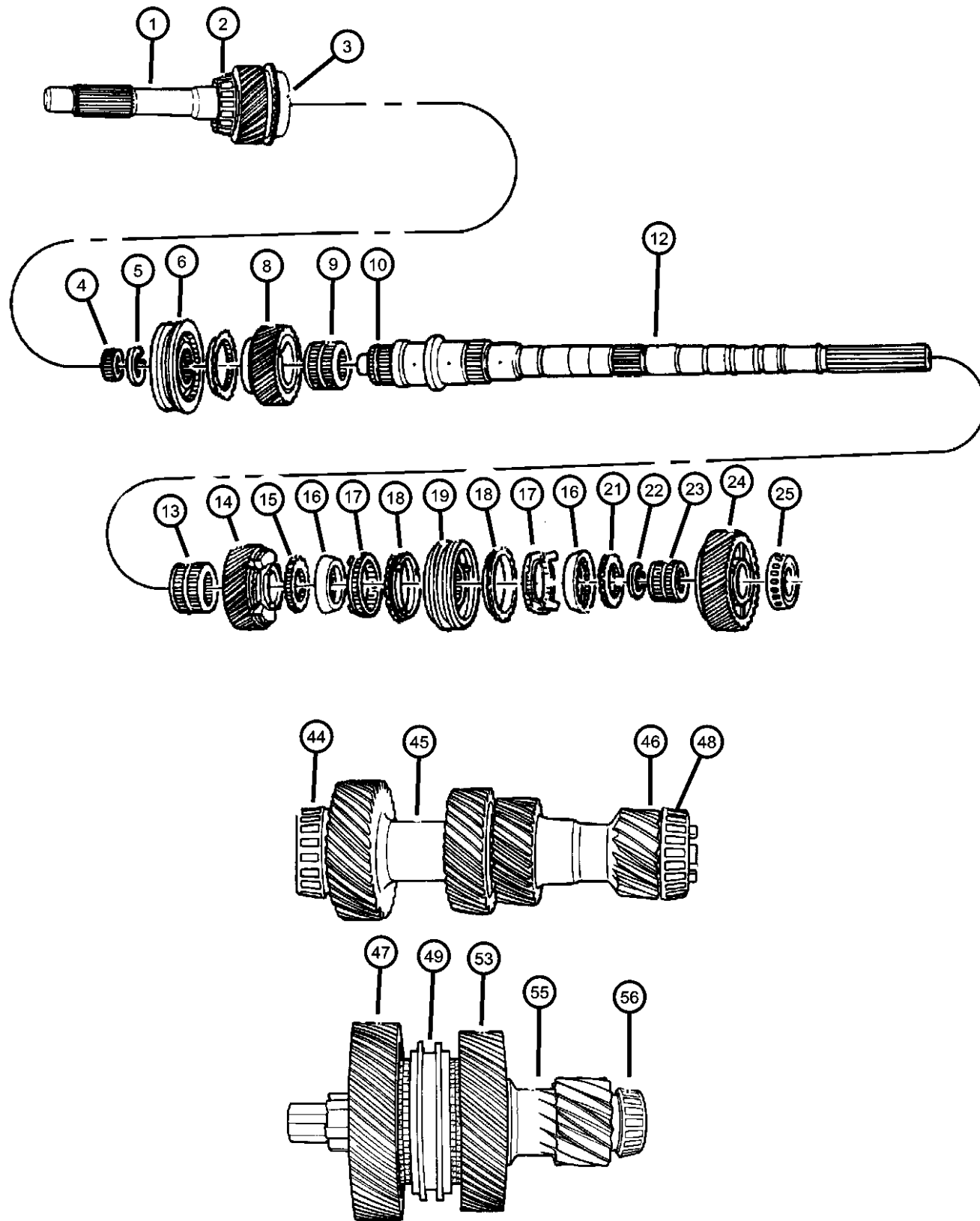
VIPER GTS COUPE,VIPER RT/10 ROADSTER (SR)

SERIES	LINE	BODY	ENGINE	TRANSMISSION
S = RT/10	D = DODGE	27 = 2-DR CONVERTIBLE	EWB = ENGINE - 8.0L V10	DEC = TRANSMISSION - 6-SPEED
S = GTS Coupe		29 = SPECIALTY COUPE	SFI	MANUAL
X = GTS/Lemans			EW0 = All 8.0L Gas	DBB = All Manual

AR = use ase required - = Non illustrated part

2000 SR

**Gear Train
Figure T56-410**



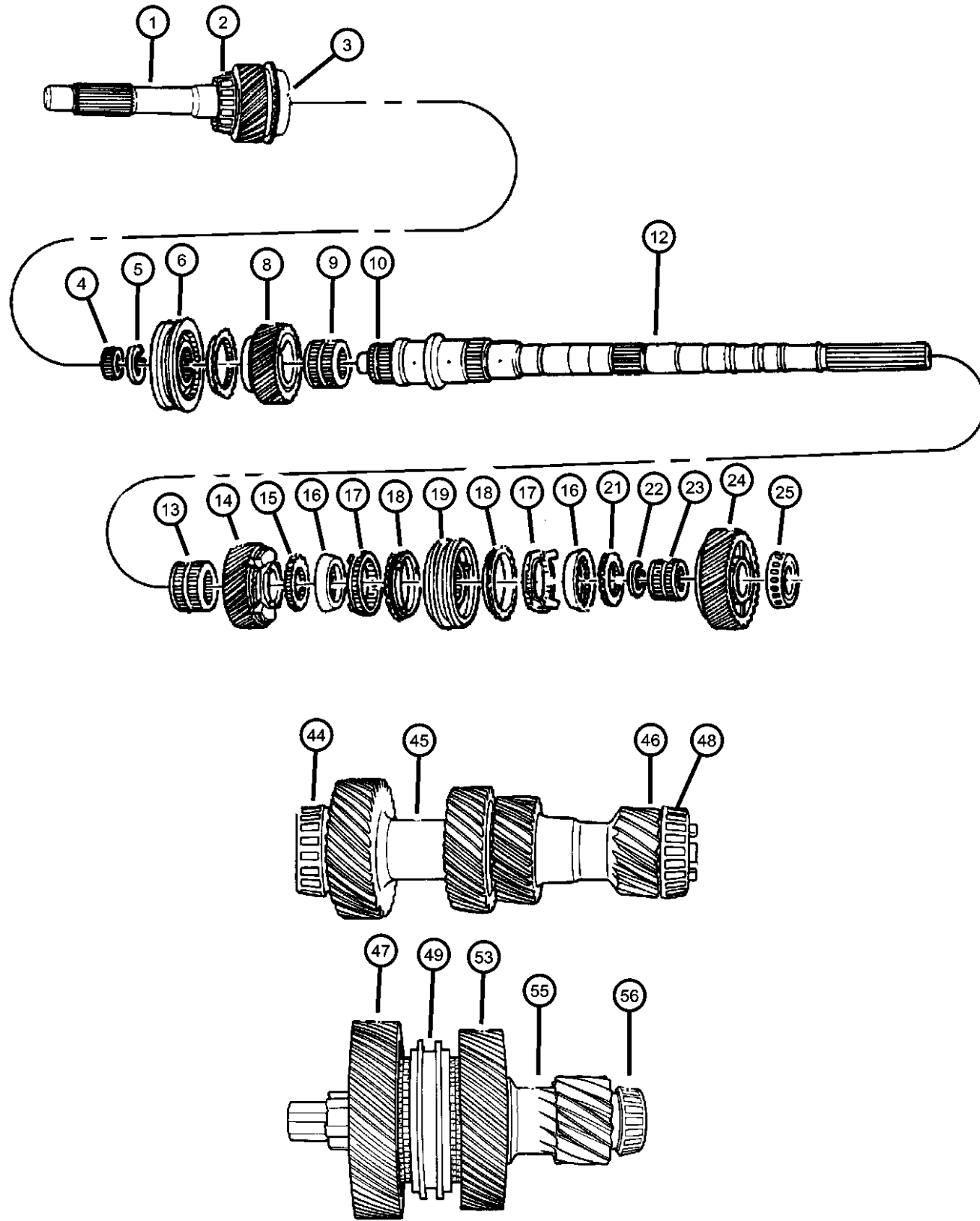
ITEM	PART NUMBER	QTY	LINE	SERIES	BODY	ENGINE	TRANS	TRIM	DESCRIPTION
-31	04626555	1					DEC		WASHER, Reverse Thrust
-32	04626556	1					DEC		WASHER, Reverse Wave
-33	04626557	1					DEC		RING, Reverse Blocker
-34	04626536	1					DEC		SNAP RING
-35	04626558	1					DEC		NEEDLE BEARING, Reverse Gear
-36	04626559	1					DEC		GEAR, Reverse
-37	04626560	1					DEC		WASHER, Reverse Thrust
-38	04626562	1					DEC		WASHER, Mainshaft
-39	04626563	1					DEC		NEEDLE BEARING, Mainshaft Rear
-40	04626564	1					DEC		SNAP RING, Mainshaft, Bearing Race
-41	04626536	1					DEC		SNAP RING, Mainshaft Rear
-42	04626565	1					DEC		SNAP RING, Speedo, Yoke
-43	04626566	1					DEC		ROTOR, Speedometer
44	04626735	1					DEC		BEARING PACKAGE, Countershaft, Front
45	04626464	1					DEC		GEAR, Cluster
46	04626733	1					DEC		BEARING PACKAGE, Countershaft, Rear
47	04626539	1					DEC		GEAR, Sixth
48	04626538	1					DEC		BEARING, Sixth Gear
49	04626474	1					DEC		STRUT, Synchronizer
-50	04626482	1					DEC		SPRING, Synchronizer
-51	04626476	1					DEC		STOP RING, Synchronizer
-52	04626536	1					DEC		SNAP RING
53	04626531	1					DEC		GEAR, Countershaft Fifth
-54	04626530	1					DEC		NEEDLE BEARING, Fifth Gear
55	04626529	1					DEC		GEAR, Countershaft
56	04626736	1					DEC		BEARING PACKAGE, Mainshaft, Countershaft Extension
-57	04626537	AR							SPACER, Sixth Gear
-58	04626541	1					DEC		THRUST WASHER, Sixth Gear
-59	04626545	1					DEC		FUNNEL, Counter Shaft, Extension
-60	04626547	1					DEC		IDLER SHAFT, Transmission, Reverse
-61	04626548	1					DEC		GEAR, Reverse Idler
-62	04626550	1					DEC		WASHER, Reverse Idler

VIPER GTS COUPE,VIPER RT/10 ROADSTER (SR)

SERIES	LINE	BODY	ENGINE	TRANSMISSION
S = RT/10	D = DODGE	27 = 2-DR CONVERTIBLE	EWB = ENGINE - 8.0L V10	DEC = TRANSMISSION - 6-SPEED
S = GTS Coupe		29 = SPECIALTY COUPE	SFI	MANUAL
X = GTS/Lemans			EW0 = All 8.0L Gas	DBB = All Manual

AR = use ase required - = Non illustrated part

**Gear Train
Figure T56-410**



ITEM	PART NUMBER	QTY	LINE	SERIES	BODY	ENGINE	TRANS	TRIM	DESCRIPTION
-63	04626527	1					DEC		BOLT
-64	04626551	1					DEC		BRACKET, Reverse Idler Shaft

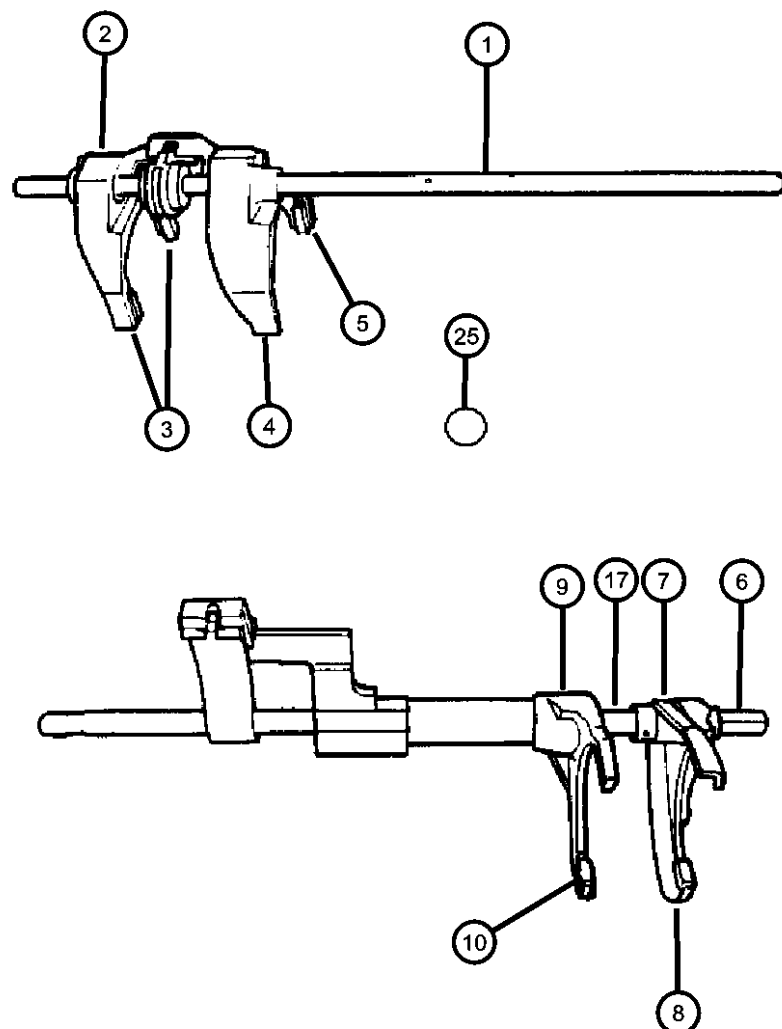
VIPER GTS COUPE,VIPER RT/10 ROADSTER (SR)

SERIES	LINE	BODY	ENGINE	TRANSMISSION
S = RT/10	D = DODGE	27 = 2-DR CONVERTIBLE	EWB = ENGINE - 8.0L V10	DEC = TRANSMISSION - 6-SPEED
S = GTS Coupe		29 = SPECIALTY COUPE	SFI	MANUAL
X = GTS/Lemans			EW0 = All 8.0L Gas	DBB = All Manual

AR = use ase required - = Non illustrated part

2000 SR

**Shift Forks, Rails, Miscellaneous Parts
Figure T56-910**



ITEM	PART NUMBER	QTY	LINE	SERIES	BODY	ENGINE	TRANS	TRIM	DESCRIPTION
SALES CODES; DEC = 6 Spd Manual Trans									
1	04626498	1					DEC		RAIL, Top
2	04626499	1					DEC		FORK, Third and Fourth
3	04626502	1					DEC		PAD, Shift Fork, 3rd-4th Fork
4	04626505	1					DEC		FORK, First and Second
5	04626502	1					DEC		PAD, Shift Fork, 1st - 2nd Fork
6	04626492	1					DEC		RAIL, Reverse Shift
7	04626553	1					DEC		FORK, Transmission, Reverse
8	04626496	1					DEC		PAD, Shift Fork, Reverse
9	04626540	1					DEC		FORK, Fifth Shift
10	04626496	1					DEC		PAD, Shift Fork, 5th-6th Fork
-11	04626493	1					DEC		PIN, Roll, Reverse Collar
-12	04626494	1					DEC		COLLAR, Reverse Shift
-13	04626495	1					DEC		LEVER, Fifth and Sixth
-14	04626497	1					DEC		LEVER, Reverse
-15	04626493	1					DEC		PIN, Roll, Reverse Lever
-16	04626503	1					DEC		PLATE, Shift, 1st-2nd and 3rd-4th Shift
17	04626506	1					DEC		ARM, Gearshift Selector
-18	04626493	1					DEC		PIN, Roll, Selector Arm
-19	04626507	1					DEC		PLATE, Transmission Module, Interlock
-20	04626508	1					DEC		BOLT, Shift Lever Guide
-21	04626512	1					DEC		BUSHING, Shift Rail
-22	04626521	1					DEC		PLATE, Transmission Shifter
-23	04761999	1					DEC		LEVER, Offset, Front
-24	04626523	1					DEC		SPRING, Detent Offset
25	04626526	1					DEC		BALL, Check
-26	04626527	1					DEC		BOLT, Guide Plate
-27	04626528	1					DEC		LEVER, First and Fourth
-28	04626493	1					DEC		PIN, Roll, Skip Shift
-29	04626493	1					DEC		PIN, Roll, Front Offset Lever
-30	04626542	1					DEC		SNAP RING, Shift Fork, 5th-6th Shift Fork
-31	04626512	1					DEC		BUSHING, Shift Rail
-32	04626561	1					DEC		SNAP RING, Shift Fork, Reverse
-33	04626569	1					DEC		PLATE, Transmission Shifter

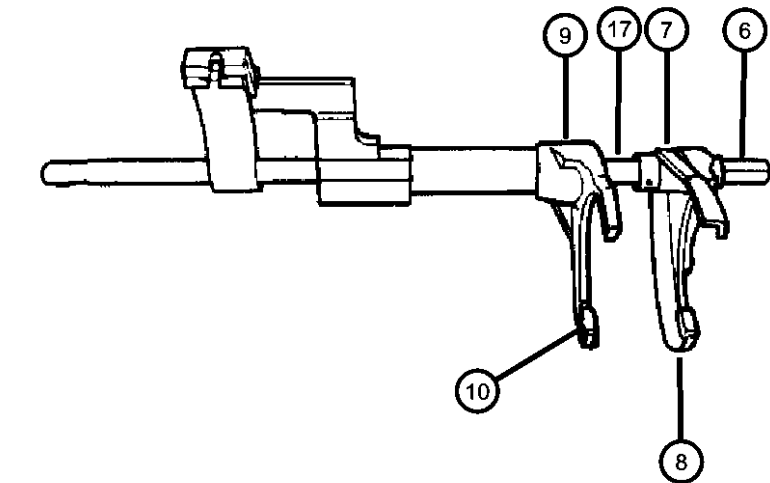
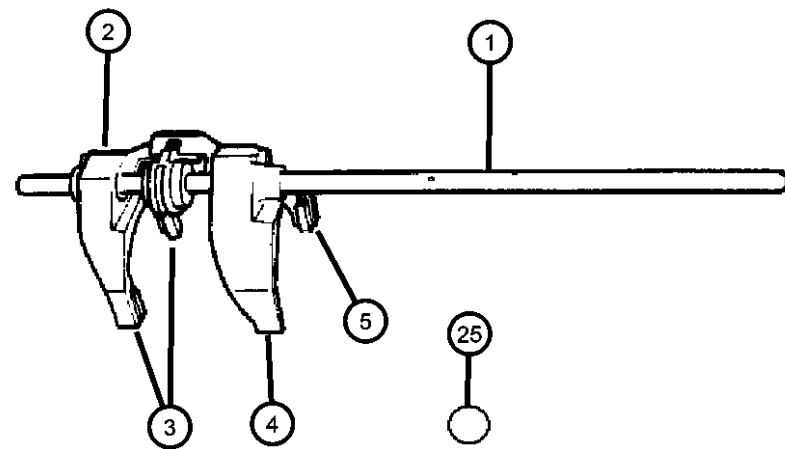
VIPER GTS COUPE,VIPER RT/10 ROADSTER (SR)

SERIES	LINE	BODY	ENGINE	TRANSMISSION
S = RT/10	D = DODGE	27 = 2-DR CONVERTIBLE	EWB = ENGINE - 8.0L V10	DEC = TRANSMISSION - 6-SPEED
S = GTS Coupe		29 = SPECIALTY COUPE	SFI	MANUAL
X = GTS/Lemans			EW0 = All 8.0L Gas	DBB = All Manual

AR = use ase required - = Non illustrated part

2000 SR

**Shift Forks, Rails, Miscellaneous Parts
Figure T56-910**



ITEM	PART NUMBER	QTY	LINE	SERIES	BODY	ENGINE	TRANS	TRIM	DESCRIPTION
-34	04626571	1					DEC		BOLT, Shifter Cover
-35	04626577	1					DEC		HOUSING, Shift
-36	04626578	1					DEC		O RING, Shift Detent Housing, Transmission
-37	04626571	1					DEC		BOLT, Shifter Cover
-38	04626579	1					DEC		LEVER, Offset
-39	04626493	1					DEC		PIN, Roll
-40	04626586	1					DEC		SNAP RING, Reverse Inhibitor
-41	04626587	1					DEC		O RING, Reverse Inhibitor, Manual Transmission
-42	04626588	1					DEC		LEVER, Gearshift
-43	04626578	1					DEC		O RING, Shift Detent Housing, Transmission

VIPER GTS COUPE,VIPER RT/10 ROADSTER (SR)

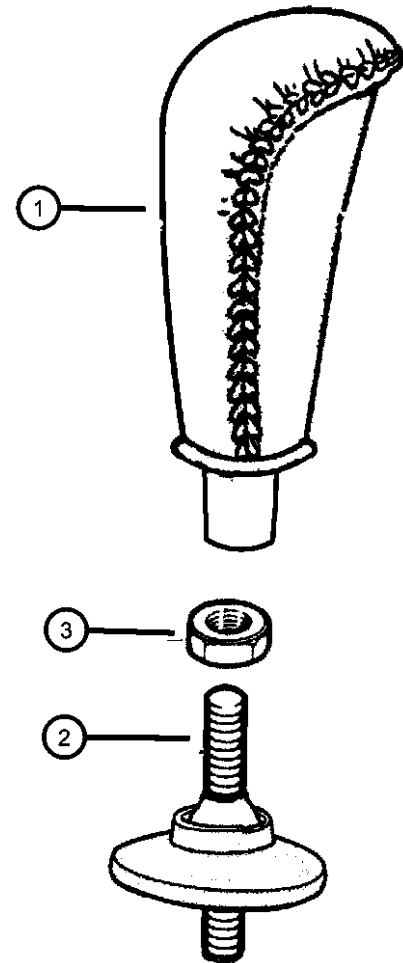
SERIES	LINE	BODY	ENGINE	TRANSMISSION
S = RT/10	D = DODGE	27 = 2-DR CONVERTIBLE	EWB = ENGINE - 8.0L V10	DEC = TRANSMISSION - 6-SPEED
S = GTS Coupe		29 = SPECIALTY COUPE	SFI	MANUAL
X = GTS/Lemans			EW0 = All 8.0L Gas	DBB = All Manual

AR = use ase required - = Non illustrated part

2000 SR

**Gear Shift
Figure T56-1210**

ITEM	PART NUMBER	QTY	LINE	SERIES	BODY	ENGINE	TRANS	TRIM	DESCRIPTION
1	0SG081X9AA	1							KNOB, Gearshift Flat Black (X9)
	0SG08WU- CAA	1							Cognac (XU)
2	04709410	1							ISOLATOR, Shift Lever
3	00124934	1							NUT, Hex Jam, .50-20



VIPER GTS COUPE,VIPER RT/10 ROADSTER (SR)

SERIES	LINE	BODY	ENGINE	TRANSMISSION
S = RT/10	D = DODGE	27 = 2-DR CONVERTIBLE	EWB = ENGINE - 8.0L V10	DEC = TRANSMISSION - 6-SPEED
S = GTS Coupe		29 = SPECIALTY COUPE	SFI	MANUAL
X = GTS/Lemans			EW0 = All 8.0L Gas	DBB = All Manual

AR = use ase required - = Non illustrated part

2000 SR

Group - 22

Wheels, Covers and Jacks

Group - 22 Wheels, Covers and Jacks

Illustration Title

Group-Fig. No.

Wheels and Hardware

Wheels And Hardware Fig. 22 - 110

Wheel Covers and Center Caps

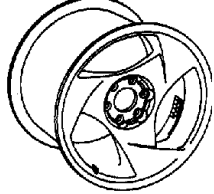

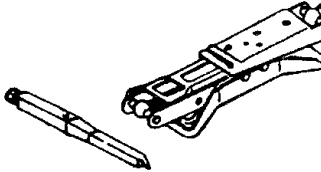
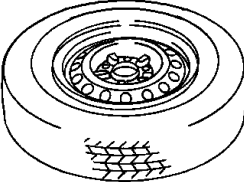
Caps, Wheel Fig. 22 - 210

Jack Stowage

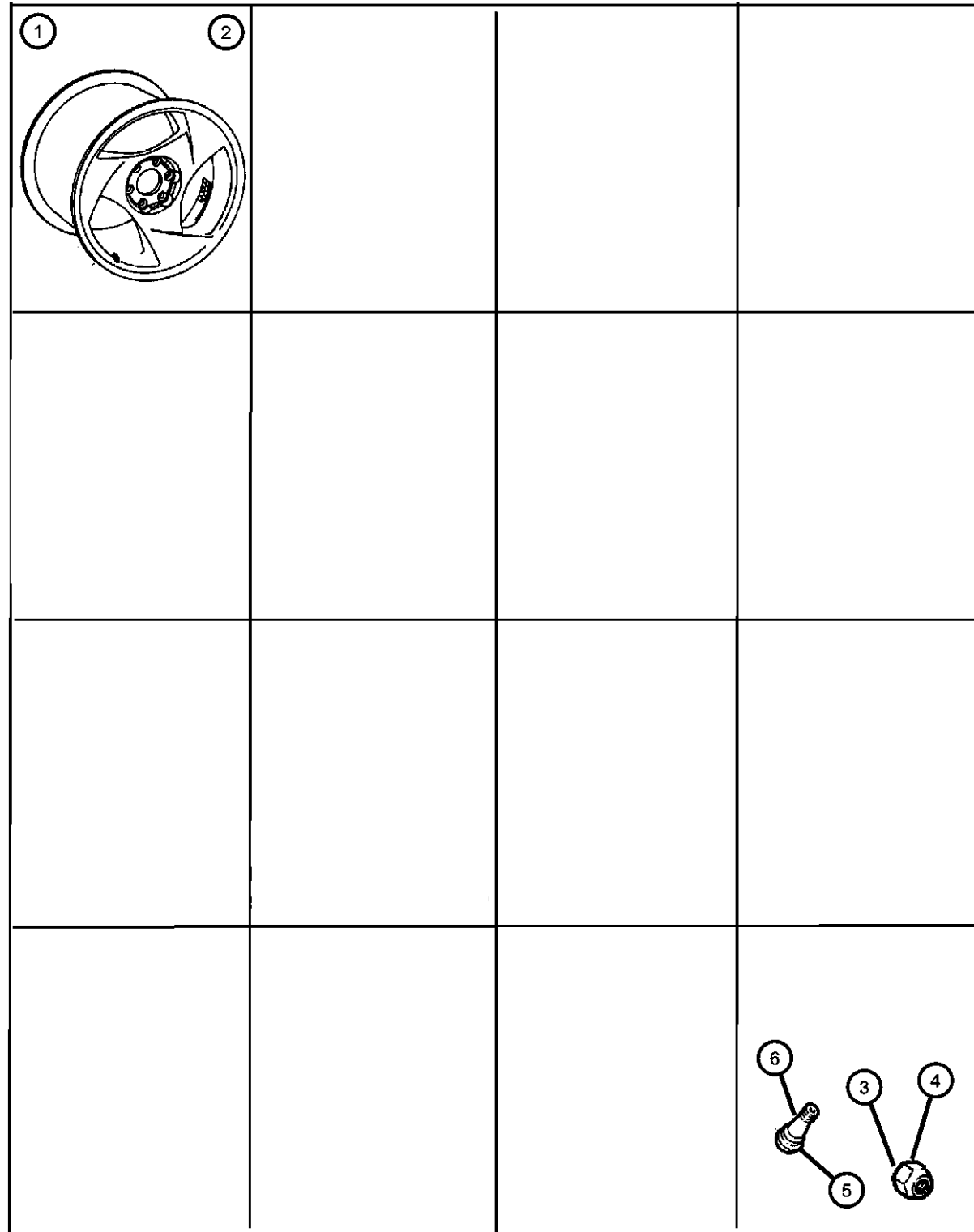
Jack Stowage Fig. 22 - 310

Spare Tire Stowage

Wheel, Spare Fig. 22 - 410

<p>022-100 Wheels and Hardware</p> 	<p>022-200 Wheel Covers and Center Caps</p> 	<p>022-300 Jack Stowage</p> 	<p>022-400 Spare Tire Stowage</p> 
---	--	---	--

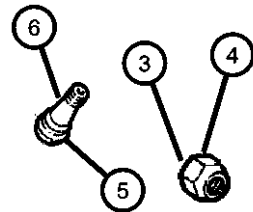
Wheels And Hardware
Figure 22-110



ITEM	PART NUMBER	QTY	LINE	SERIES	BODY	ENGINE	TRANS	TRIM	DESCRIPTION
------	-------------	-----	------	--------	------	--------	-------	------	-------------

NOTE: Sales Code:
[WPE] = 18 inch ALUMINUM - SILVER

1									WHEEL, Steel
	0RR36SZ2AA	1							Polished, 18x10 [WPD], Front
	0RR37SZ2AA	1							Polished, 18x13 [WPD], Rear
2									WHEEL, Aluminum
	OSM08WD2AA	1							(18 x 10), Front
	OSM09WD2AA	1							(18 x 13), Rear
3	06034958	24							NUT, Hex, .50-20
4	06036310AA	24							NUT, Wheel, .50x20, Chrome
5	02073355	1							STEM, Wheel Valve
6	05245193	1							VALVE, Shrader



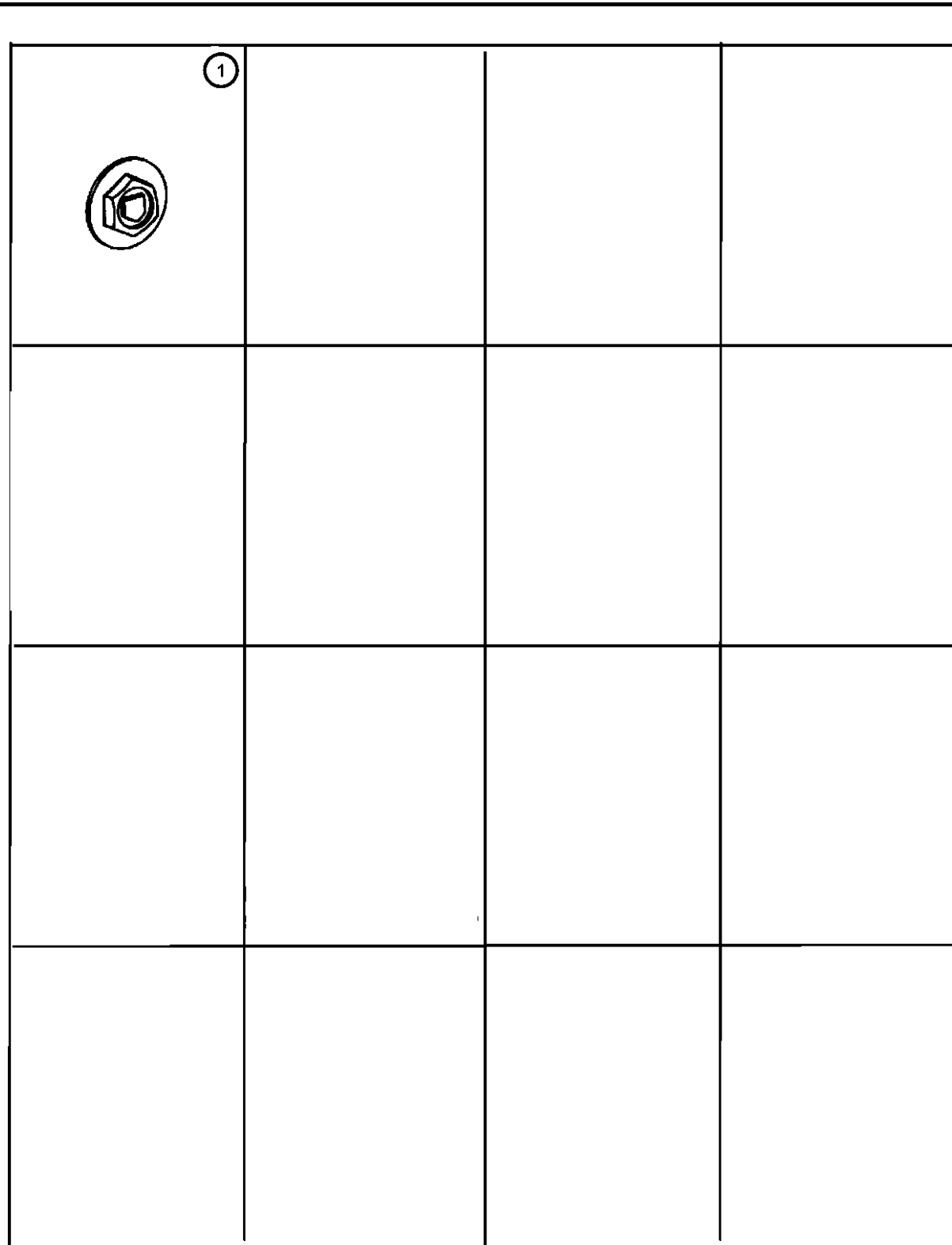
VIPER GTS COUPE,VIPER RT/10 ROADSTER (SR)

SERIES	LINE	BODY	ENGINE	TRANSMISSION
S = RT/10	D = DODGE	27 = 2-DR CONVERTIBLE	EWB = ENGINE - 8.0L V10	DEC = TRANSMISSION - 6-SPEED
S = GTS Coupe		29 = SPECIALTY COUPE	SFI	MANUAL
X = GTS/Lemans			EW0 = All 8.0L Gas	DBB = All Manual

AR = use ase required - = Non illustrated part

2000 SR

**Caps, Wheel
Figure 22-210**



ITEM	PART NUMBER	QTY	LINE	SERIES	BODY	ENGINE	TRANS	TRIM	DESCRIPTION
------	-------------	-----	------	--------	------	--------	-------	------	-------------

NOTE: Sales Codes:
 [SDK] = SUSPENSION - COMPETITION
 [WPD] = 18" ALUMINUM - POLISHED
 [WPE] = 18" ALUMINUM - PAINTED

1									CAP, Wheel Center
	0RR38SZ2AA	4							18 inch ALUMINUM - POLISHED [WPD]
	0SM12DX9AA	4							Plastic [SDK,WPE]

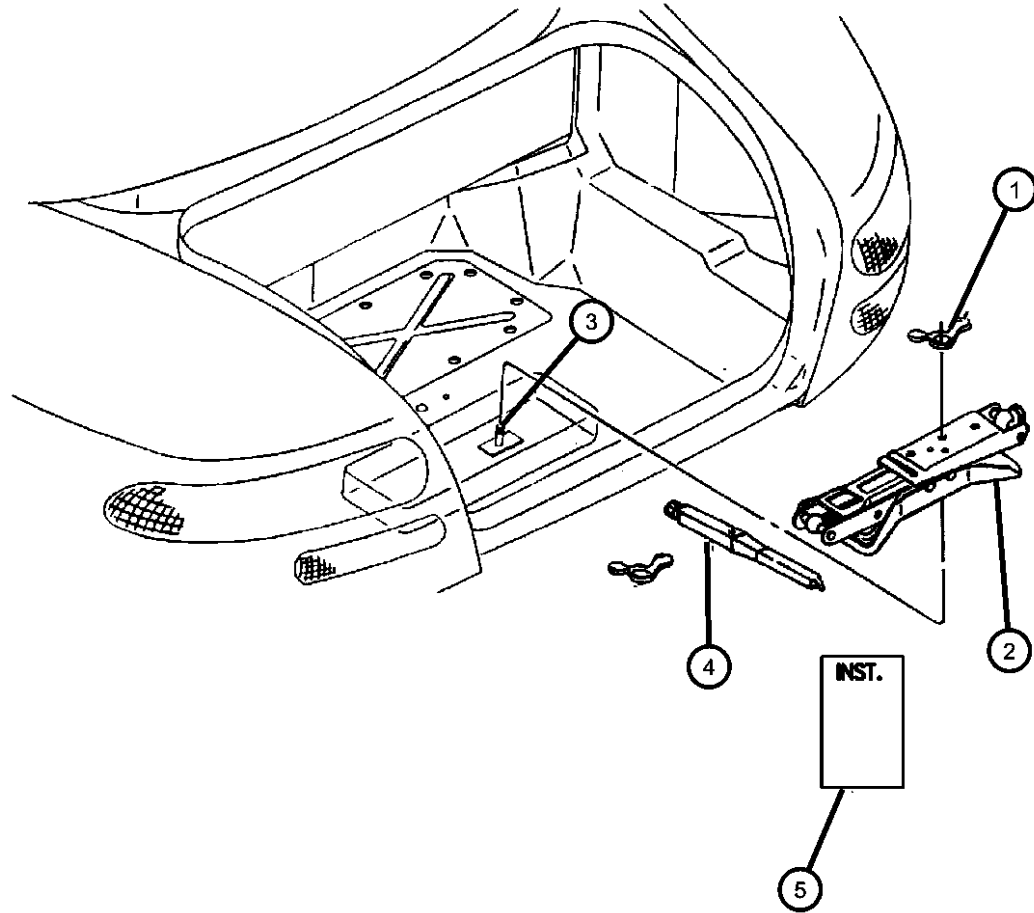
VIPER GTS COUPE,VIPER RT/10 ROADSTER (SR)

SERIES	LINE	BODY	ENGINE	TRANSMISSION
S = RT/10	D = DODGE	27 = 2-DR CONVERTIBLE	EWB = ENGINE - 8.0L V10	DEC = TRANSMISSION - 6-SPEED
S = GTS Coupe		29 = SPECIALTY COUPE	SFI	MANUAL
X = GTS/Lemans			EW0 = All 8.0L Gas	DBB = All Manual

AR = use ase required - = Non illustrated part

**Jack Stowage
Figure 22-310**

ITEM	PART NUMBER	QTY	LINE	SERIES	BODY	ENGINE	TRANS	TRIM	DESCRIPTION
1	06032619	1							WINGNUT, Jack and Tire Hold Down
2	05008275AA	1							JACK
3	06033599	1							BOLT, .375-16x3.75
4	04854307AA	1							HANDLE, Jack
5									LABEL, Tire Storage
	04472491	1			29				Compact Spare
	04708087	1							Jacking Instructions
-6	05256549	1							BAG, Jack Tool Storage



VIPER GTS COUPE,VIPER RT/10 ROADSTER (SR)

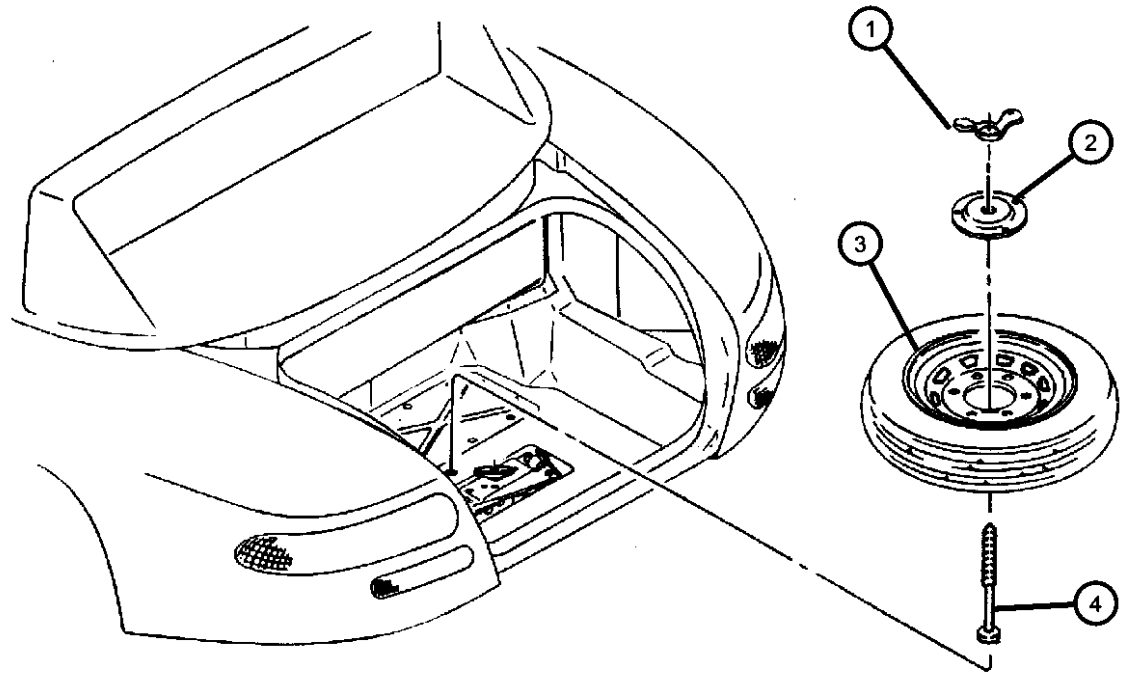
SERIES	LINE	BODY	ENGINE	TRANSMISSION
S = RT/10	D = DODGE	27 = 2-DR CONVERTIBLE	EWB = ENGINE - 8.0L V10	DEC = TRANSMISSION - 6-SPEED
S = GTS Coupe		29 = SPECIALTY COUPE	SFI	MANUAL
X = GTS/Lemans			EW0 = All 8.0L Gas	DBB = All Manual

AR = use ase required - = Non illustrated part

2000 SR

Wheel, Spare
Figure 22-410

ITEM	PART NUMBER	QTY	LINE	SERIES	BODY	ENGINE	TRANS	TRIM	DESCRIPTION
1	06032619	1							WINGNUT, Jack and Tire Hold Down
2	04708210	1							RETAINER, Spare Tire, Spare Wheel Mounting
3	04643212	1							WHEEL, Spare, Mini-Spare, Aluminum
4	06033599	1							BOLT, .375-16x3.75
-5	0LB98SX9AB	1				29			COVER, Spare Tire



VIPER GTS COUPE,VIPER RT/10 ROADSTER (SR)

SERIES	LINE	BODY	ENGINE	TRANSMISSION
S = RT/10	D = DODGE	27 = 2-DR CONVERTIBLE	EWB = ENGINE - 8.0L V10	DEC = TRANSMISSION - 6-SPEED
S = GTS Coupe		29 = SPECIALTY COUPE	SFI	MANUAL
X = GTS/Lemans			EW0 = All 8.0L Gas	DBB = All Manual

AR = use ase required - = Non illustrated part

2000 SR

Group - 23D

Wiper/Lock Cylinder and Keys

Group - 23D Wiper/Lock Cylinder and Keys

Group-Fig. No.

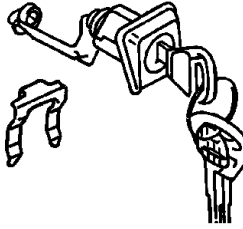
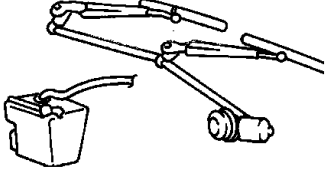
Illustration Title

Lock Cylinders and Keys

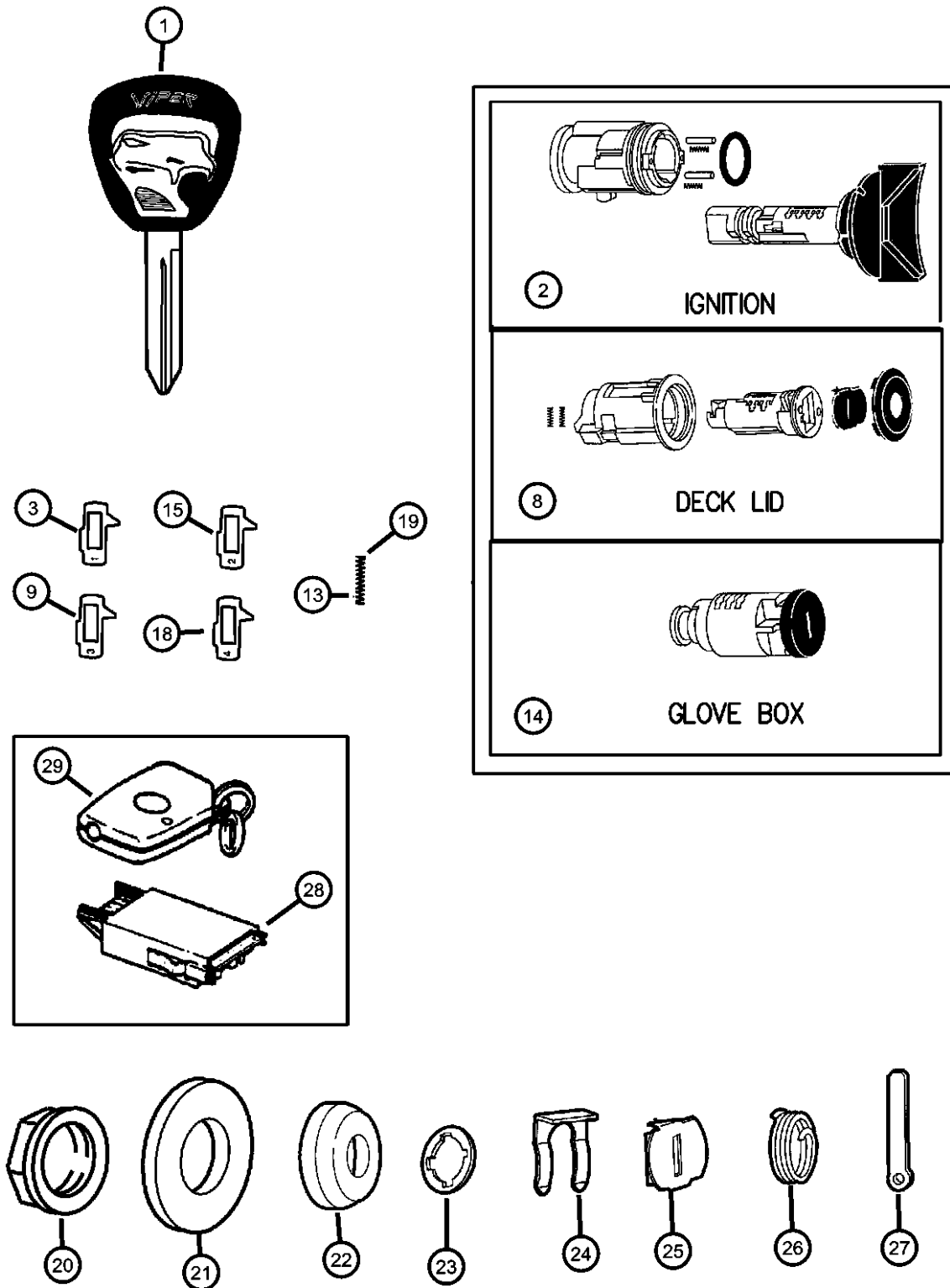
Lock Cylinders and Keys Fig. 23D - 110

Windshield Wiper and Washer Systems

Windshield Wiper and Washer Fig. 23D - 210

<p>23D-100 Lock Cylinders and Keys</p> 	<p>23D-200 Windshield Wiper and Washer Systems</p> 		
--	---	--	--

Lock Cylinders and Keys
Figure 23D-110



NOTE: All Lock Cylinders are Uncoded

ITEM	PART NUMBER	QTY	LINE	SERIES	BODY	ENGINE	TRANS	TRIM	DESCRIPTION
1	04883828AA	1							KEY, Ignition
2	05003845AA	1							CYLINDER, Ignition Lock
3	05010879AA	1							TUMBLER, Ignition Number 1, Sidebar
-4	05010880AA	1							TUMBLER, Ignition Number 2, Sidebar
-5	05010881AA	1							TUMBLER, Ignition Number 3, Sidebar
-6	05010882AA	1							TUMBLER, Ignition Number 4, Sidebar
-7	05010883AA	1							SPRING, Ignition Tumbler, Sidebar
8	04778147	1							CYLINDER, Deck Lid Lock
9	04778117	1							TUMBLER, Door and Deck Number 1, Wide
-10	04778118	1							TUMBLER, Door and Deck Number 2, Wide
-11	04778119	1							TUMBLER, Door and Deck Number 3, Wide
-12	04778120	1							TUMBLER, Door and Deck Number 4, Wide
13	04778121	1							SPRING, Door and Deck Tumbler
14	04746903	1							CYLINDER, Glove Box Lock
15	05257132	1							TUMBLER, Ignition Number 1, Glove Box Only Not Ignition
-16	05257133	1							TUMBLER, Ignition Number 2, Glove Box Only Not Ignition
-17	05257134	1							TUMBLER, Ignition Number 3, Glove Box Only Not Ignition
18	05257135	1							TUMBLER, Ignition Number 4, Glove Box Only Not Ignition
19	04746873	1							SPRING, Lock Cylinder Tumbler, Glove Box
20	04054202	1							NUT, Cylinder LockDeck Lid
21	04848692	1			29				GASKET, Key Cylinder Isolator
22	05257163	1							CAP, Lock Cylinder
23	03695321	1							GASKET, Lock CylinderDeck Lid
24	02583377	1							RETAINER, Door Lock Cylinder
25	04778151	1							SHUTTER, Door, Deck Lid, Black
26	05257245	1							SPRING, Deck Lid Return
27	04723494	1							LEVER, Deck Lid Lock Cylinder
28	04848148AE	1							MODULE, Keyless Entry Receiver Export

VIPER GTS COUPE,VIPER RT/10 ROADSTER (SR)

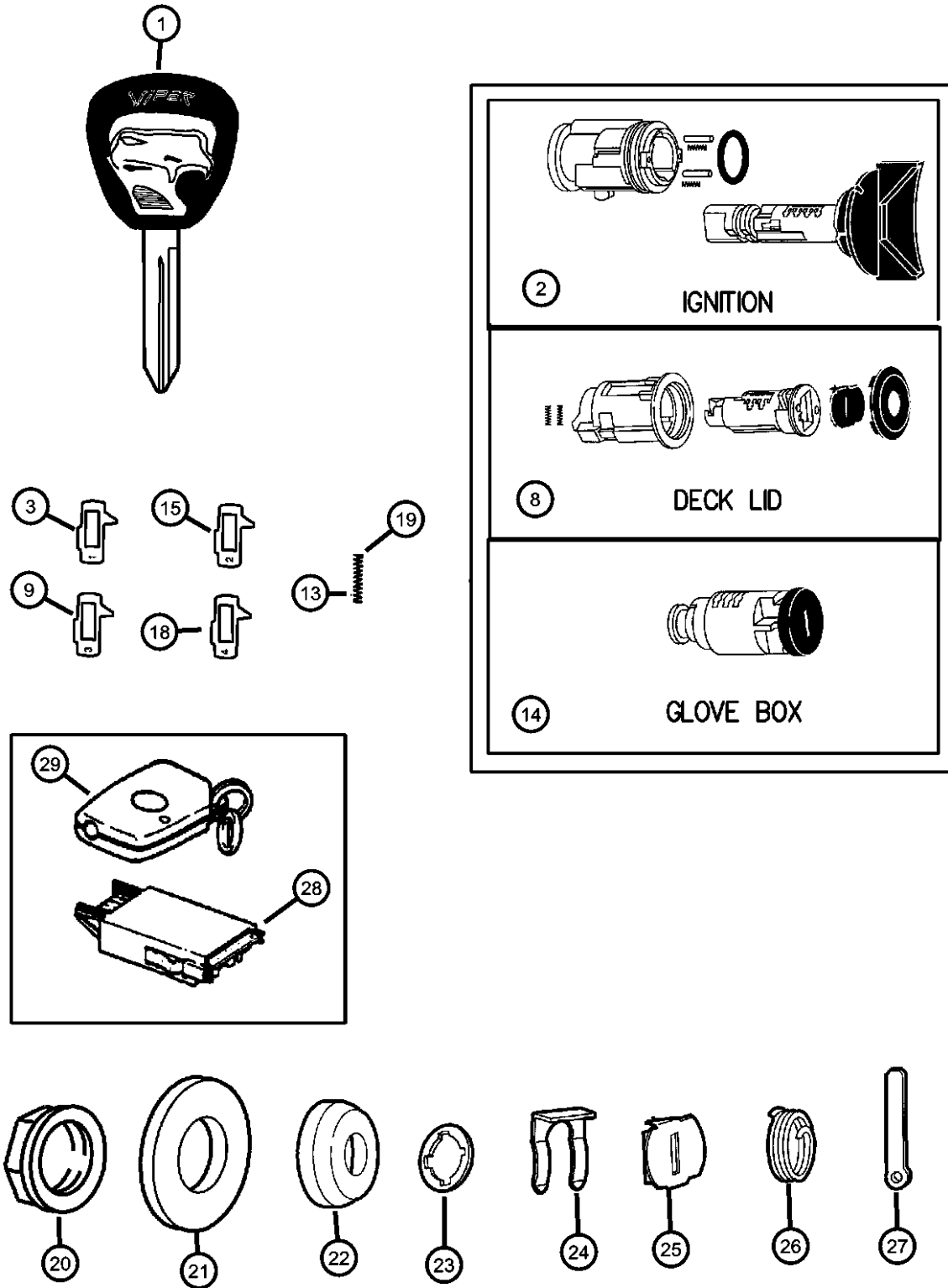
SERIES	LINE	BODY	ENGINE	TRANSMISSION
S = RT/10	D = DODGE	27 = 2-DR CONVERTIBLE	EWB = ENGINE - 8.0L V10	DEC = TRANSMISSION - 6-SPEED
S = GTS Coupe		29 = SPECIALTY COUPE	SFI	MANUAL
X = GTS/Lemans			EW0 = All 8.0L Gas	DBB = All Manual

AR = use ase required - = Non illustrated part

2000 SR

Lock Cylinders and Keys
Figure 23D-110

ITEM	PART NUMBER	QTY	LINE	SERIES	BODY	ENGINE	TRANS	TRIM	DESCRIPTION
------	-------------	-----	------	--------	------	--------	-------	------	-------------



	04848832AE	1							
29	04848151	AR			29				TRANSMITTER, Keyless Entry Export
	04865431AA	2							
-30	04848290	1							STRAP, Module Mounting

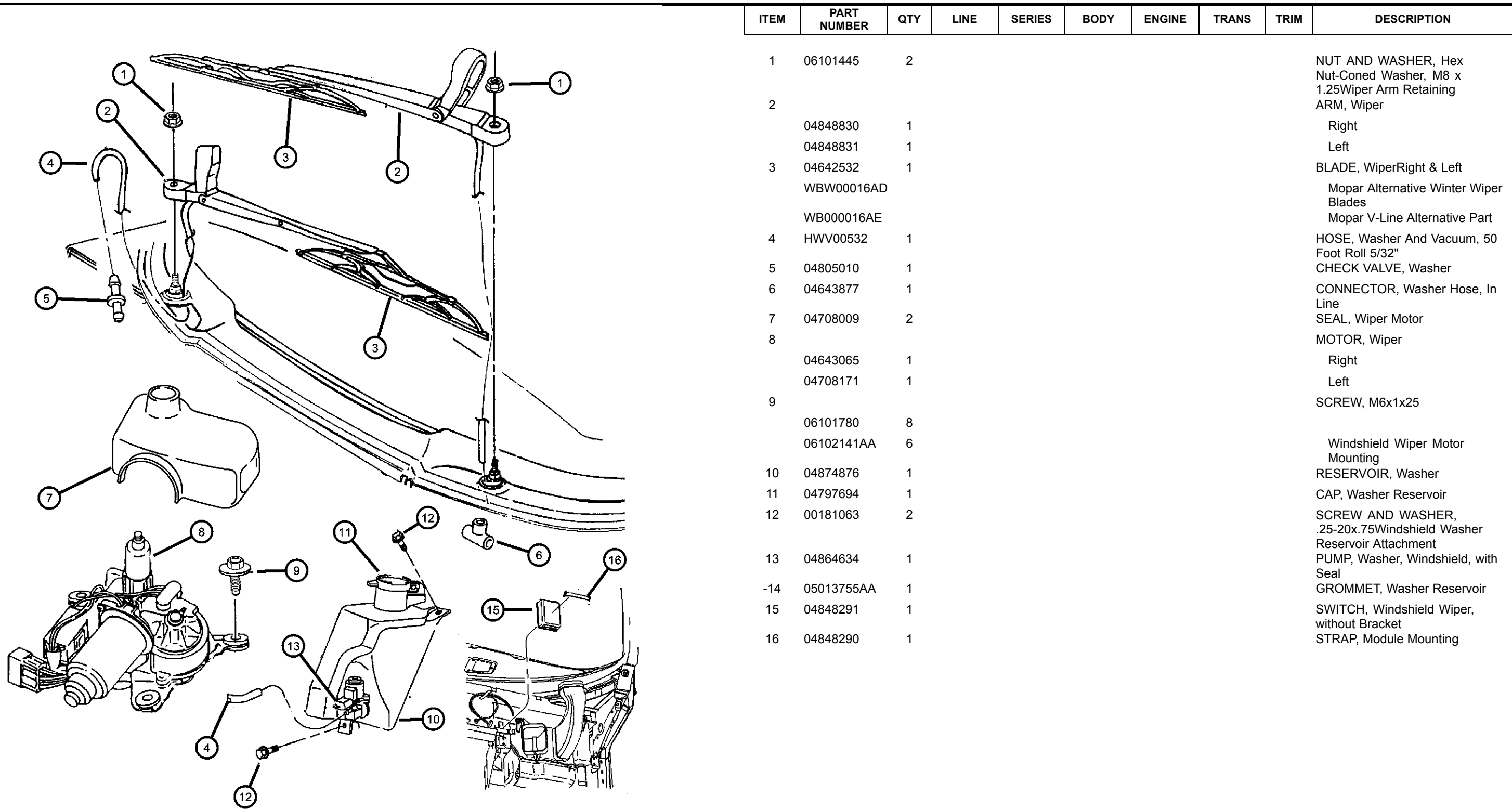
VIPER GTS COUPE,VIPER RT/10 ROADSTER (SR)

SERIES	LINE	BODY	ENGINE	TRANSMISSION
S = RT/10	D = DODGE	27 = 2-DR CONVERTIBLE	EWB = ENGINE - 8.0L V10	DEC = TRANSMISSION - 6-SPEED
S = GTS Coupe		29 = SPECIALTY COUPE	SFI	MANUAL
X = GTS/Lemans			EW0 = All 8.0L Gas	DBB = All Manual

AR = use ase required - = Non illustrated part

2000 SR

**Windshield Wiper and Washer
Figure 23D-210**



ITEM	PART NUMBER	QTY	LINE	SERIES	BODY	ENGINE	TRANS	TRIM	DESCRIPTION
1	06101445	2							NUT AND WASHER, Hex Nut-Coned Washer, M8 x 1.25Wiper Arm Retaining ARM, Wiper
2									Right
	04848830	1							Left
	04848831	1							
3	04642532	1							BLADE, WiperRight & Left
	WBW00016AD								Mopar Alternative Winter Wiper Blades
	WB000016AE								Mopar V-Line Alternative Part
4	HWV00532	1							HOSE, Washer And Vacuum, 50 Foot Roll 5/32"
5	04805010	1							CHECK VALVE, Washer
6	04643877	1							CONNECTOR, Washer Hose, In Line
7	04708009	2							SEAL, Wiper Motor
8									MOTOR, Wiper
	04643065	1							Right
	04708171	1							Left
9									SCREW, M6x1x25
	06101780	8							
	06102141AA	6							Windshield Wiper Motor Mounting
10	04874876	1							RESERVOIR, Washer
11	04797694	1							CAP, Washer Reservoir
12	00181063	2							SCREW AND WASHER, .25-20x.75Windshield Washer Reservoir Attachment
13	04864634	1							PUMP, Washer, Windshield, with Seal
-14	05013755AA	1							GROMMET, Washer Reservoir
15	04848291	1							SWITCH, Windshield Wiper, without Bracket
16	04848290	1							STRAP, Module Mounting

VIPER GTS COUPE,VIPER RT/10 ROADSTER (SR)

SERIES	LINE	BODY	ENGINE	TRANSMISSION
S = RT/10	D = DODGE	27 = 2-DR CONVERTIBLE	EWB = ENGINE - 8.0L V10	DEC = TRANSMISSION - 6-SPEED
S = GTS Coupe		29 = SPECIALTY COUPE	SFI	MANUAL
X = GTS/Lemans			EW0 = All 8.0L Gas	DBB = All Manual

AR = use ase required - = Non illustrated part

Group - 24

Air Conditioning & Heater

Group - 24 Air Conditioning & Heater

Illustration Title

Group-Fig. No.

Air Conditioner and Heater Units

Blower Motor Fig. 24 - 110
 Hevac Unit Fig. 24 - 120

Air Conditioner and Heater Plumbing

Heater Plumbing Fig. 24 - 210
 Plumbing A/C Fig. 24 - 220

Air Conditioner and Heater Controls

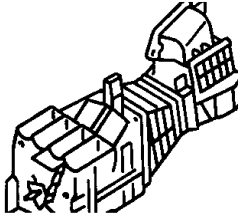
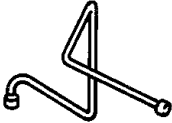
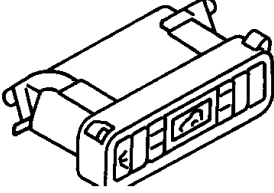
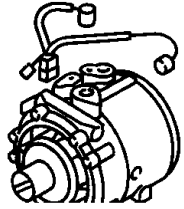
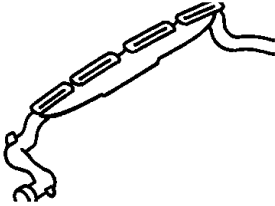
Control Assembly Fig. 24 - 310

Air Conditioning Compressor

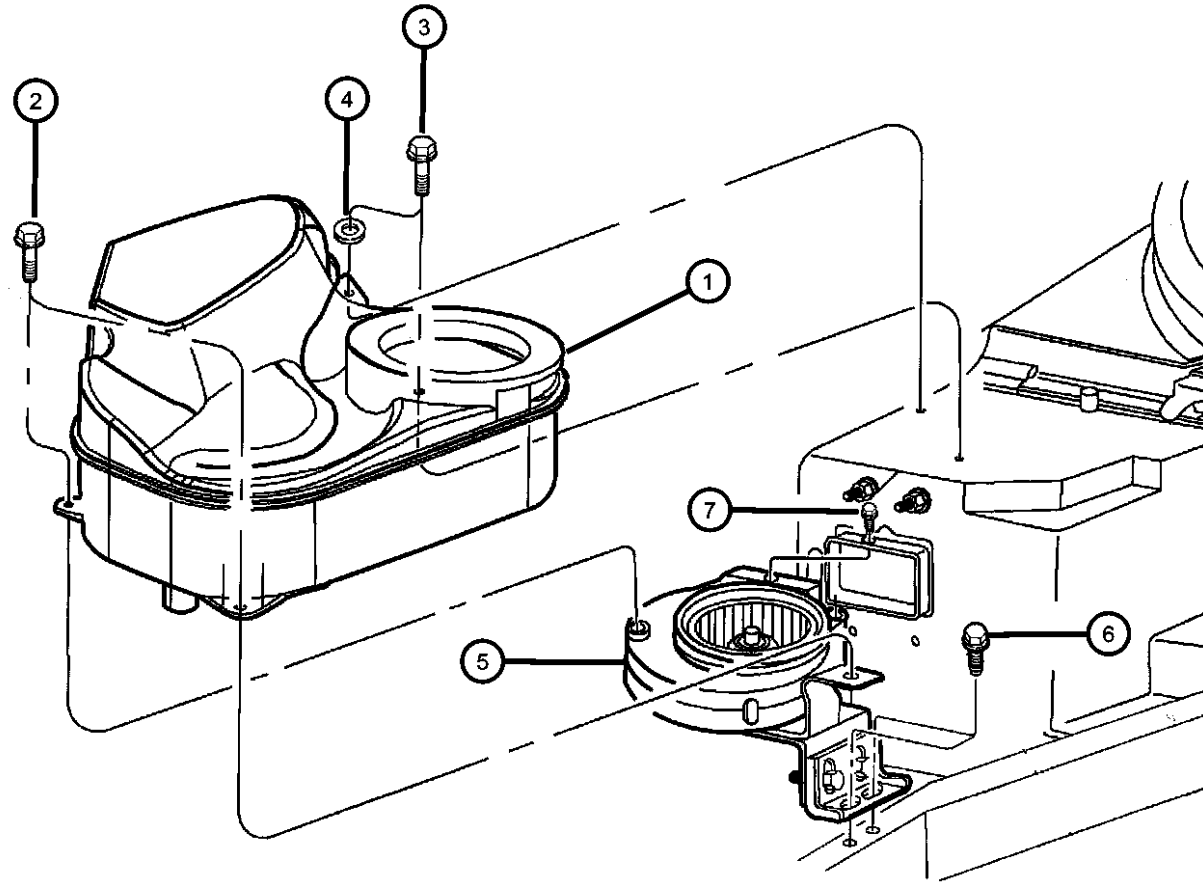
Compressor, A/C Fig. 24 - 410

Air Ducts and Outlets

Vents And Outlets Fig. 24 - 610

024-100 Air Conditioner and Heater Units 	024-200 Air Conditioner and Heater Plumbing 	024-300 Air Conditioner and Heater Controls 	024-400 Air Conditioning Compressor 
024-600 Air Ducts and Outlets 			

**Blower Motor
Figure 24-110**



ITEM	PART NUMBER	QTY	LINE	SERIES	BODY	ENGINE	TRANS	TRIM	DESCRIPTION
1	04763858AC	1							PLENUM, Blower Motor Inlet
2	06101455	2							SCREW AND WASHER, Hex Head, M6x1x20
3	06101455	2							SCREW, .190-16x1.00, (NOT SERVICED)
4	06101455	2							WASHER, ID.211 OD.749 THK.071, (NOT SERVICED)
5	04848021	1							BLOWER, w/Scroll, Blower
6	04848021	1							SCREW, Hex Flange Head, M6x1.00x20.00, M6x1.00x20.00, (NOT SERVICED)
7	06032723	1							SCREW, Self Tapping, M4.2x1.69x19.05
-8	04874453	1							RESISTOR, Blower Motor

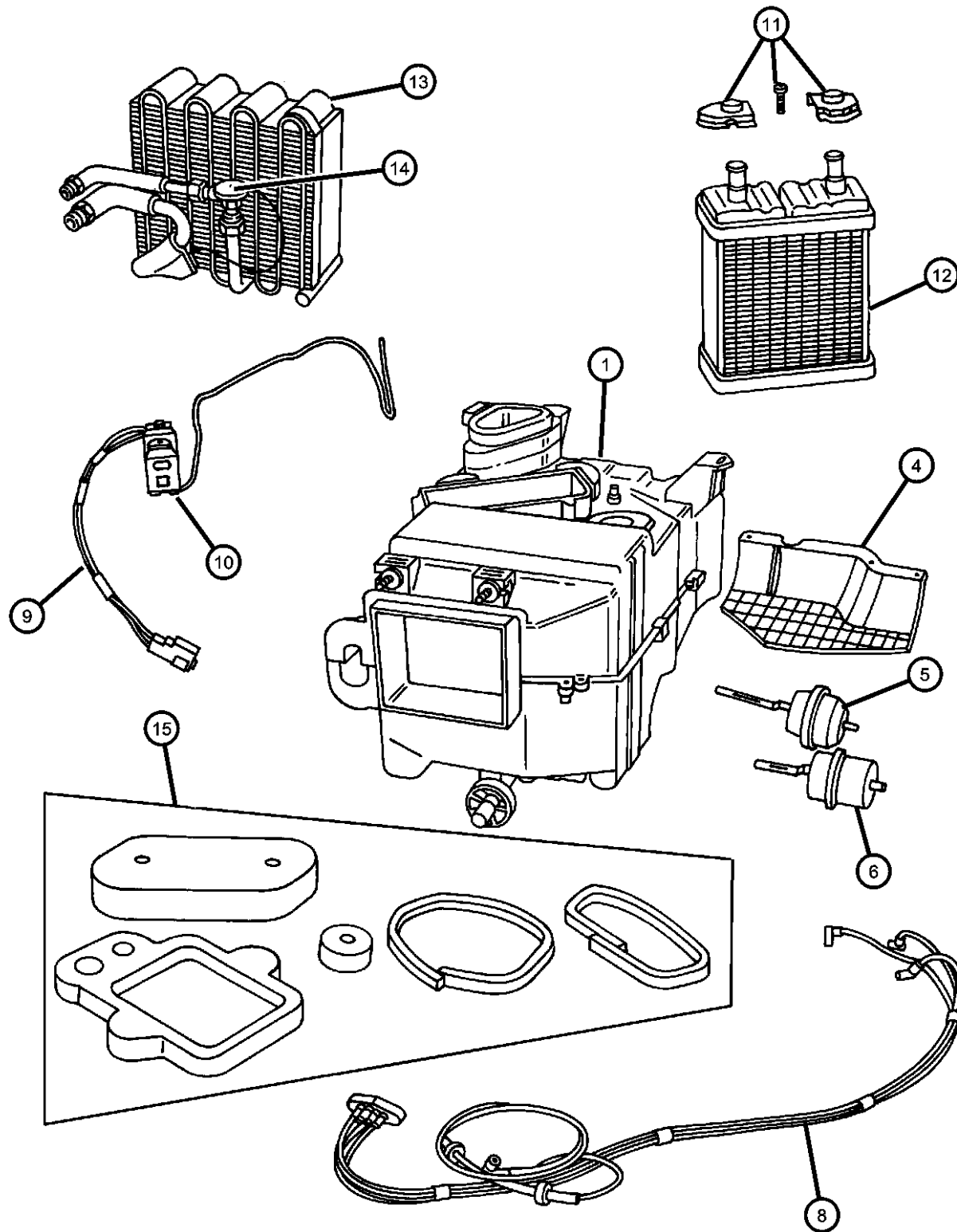
VIPER GTS COUPE,VIPER RT/10 ROADSTER (SR)

SERIES	LINE	BODY	ENGINE	TRANSMISSION
S = RT/10	D = DODGE	27 = 2-DR CONVERTIBLE	EWB = ENGINE - 8.0L V10	DEC = TRANSMISSION - 6-SPEED
S = GTS Coupe		29 = SPECIALTY COUPE	SFI	MANUAL
X = GTS/Lemans			EW0 = All 8.0L Gas	DBB = All Manual

AR = use ase required - = Non illustrated part

2000 SR

Hevac Unit
Figure 24-120



ITEM	PART NUMBER	QTY	LINE	SERIES	BODY	ENGINE	TRANS	TRIM	DESCRIPTION
1	04874423	1							HOUSING, A/C And Heater
-2	04763972AB	1							DUCT, A/C And Heater, Recirculating
-3	04874425	6							CLIP, Spring
4	04874422	1							COVER, Heater
5	04874375	1							ACTUATOR, Heater Door
6	04874376	1							ACTUATOR, Fresh Air Door
-7	04848515	1							ACTUATOR, Recirculation Door
8	04886471AA	1							HARNES, A/C And Heater Vacuum
9	04708364	1							WIRING, Heater and A/C
10	04708205	1							THERMOSTAT, Air Conditioning
11	04874421	1							BRACKET, Heater Core
12	04874374	1							CORE, Heater
13	04708196	1							EVAPORATOR, Air Conditioning
14	04709102	1							VALVE, A/C Expansion
15	04874424	1							SEAL KIT, A/C And Heater Unit

VIPER GTS COUPE,VIPER RT/10 ROADSTER (SR)

SERIES	LINE	BODY	ENGINE	TRANSMISSION
S = RT/10	D = DODGE	27 = 2-DR CONVERTIBLE	EWB = ENGINE - 8.0L V10	DEC = TRANSMISSION - 6-SPEED
S = GTS Coupe		29 = SPECIALTY COUPE	SFI	MANUAL
X = GTS/Lemans			EW0 = All 8.0L Gas	DBB = All Manual

AR = use ase required - = Non illustrated part

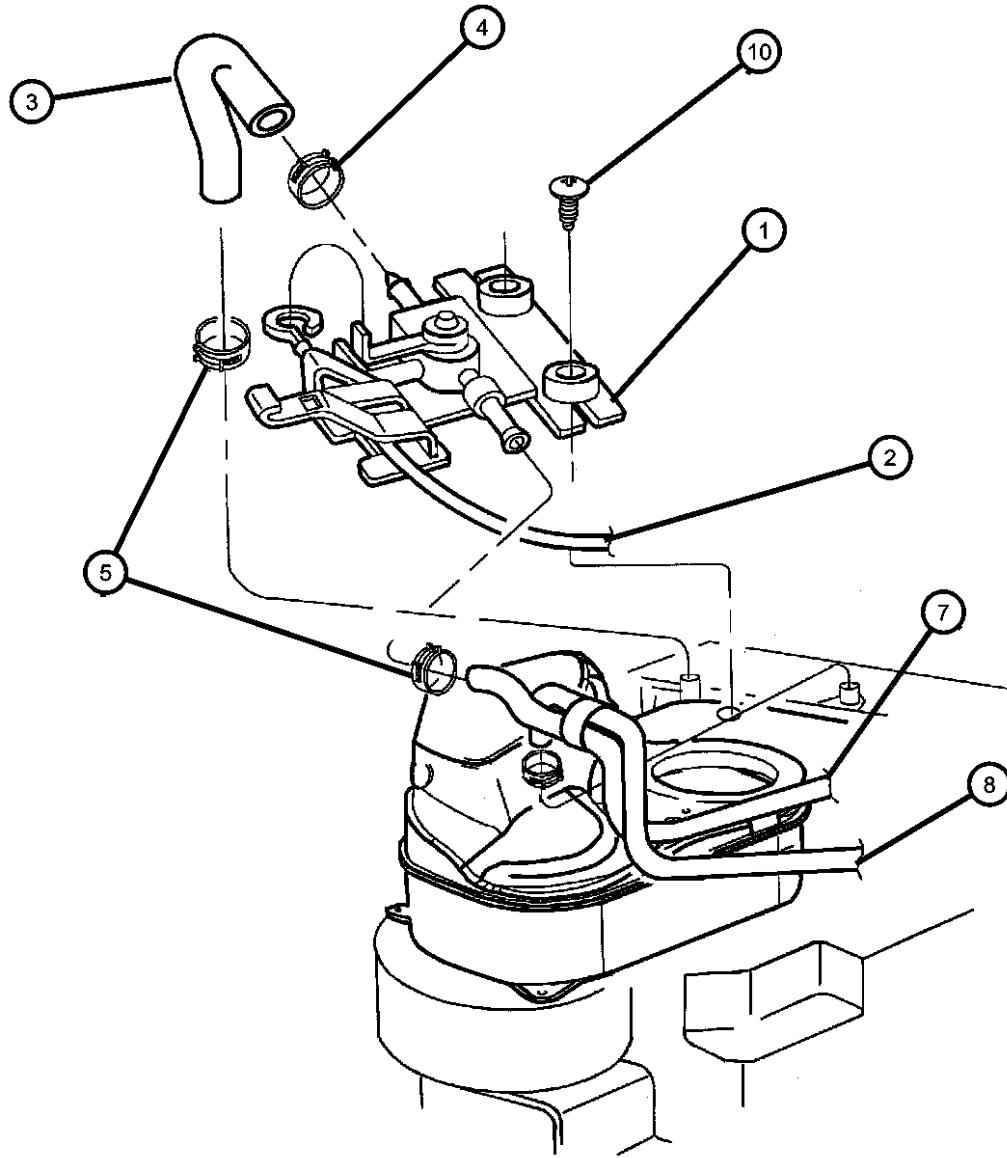
2000 SR

Heater Plumbing Figure 24-210

ITEM	PART NUMBER	QTY	LINE	SERIES	BODY	ENGINE	TRANS	TRIM	DESCRIPTION
------	-------------	-----	------	--------	------	--------	-------	------	-------------

NOTE: Sales Codes:
[EWB] = 8.0L V10 SFI

1	04642554	1							VALVE, Water Control, Water
2	04643381	1							CABLE, A/C And Heater Control, Heater Control
3	04642555	1							HOSE, Water Valve To Heater Core, Valve to Core
4	06505604AA	2							CLAMP
5	06502017	2							CLAMP, Heater Hose
-6	06100047	1							NUT AND WASHER, Hex Nut-Coned Washer, M6 x 1.00
7	04763975AC	1				EWB			HOSE, Heater Core To Engine
8	04763974AD	1				EWB			HOSE, Engine to Water Valve
-9	05245458AC	1				EWB			TUBE, Heater
10	06035728	2							SCREW, .190-16x1.00



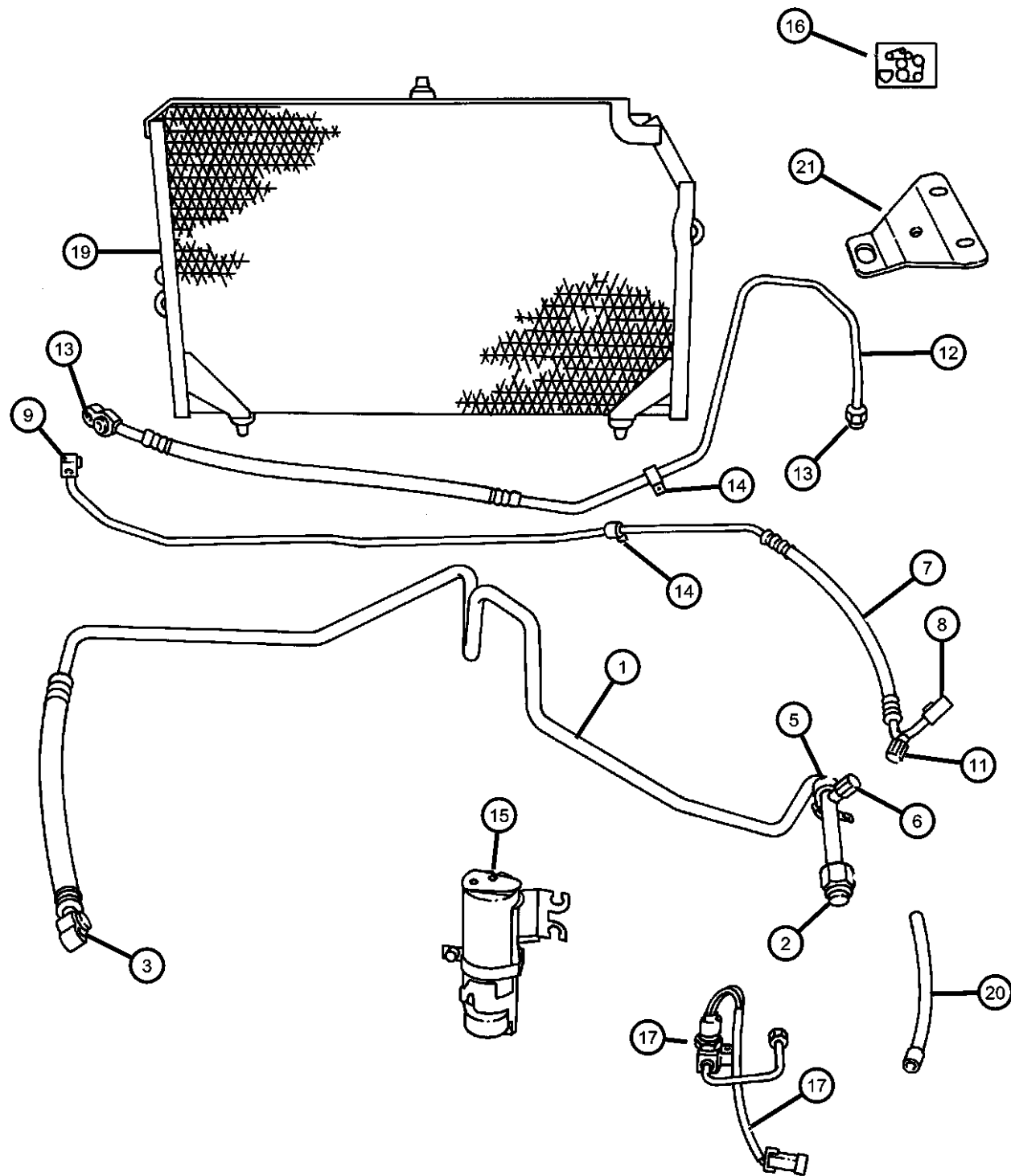
VIPER GTS COUPE,VIPER RT/10 ROADSTER (SR)

SERIES	LINE	BODY	ENGINE	TRANSMISSION
S = RT/10	D = DODGE	27 = 2-DR CONVERTIBLE	EWB = ENGINE - 8.0L V10	DEC = TRANSMISSION - 6-SPEED
S = GTS Coupe		29 = SPECIALTY COUPE	SFI	MANUAL
X = GTS/Lemans			EW0 = All 8.0L Gas	DBB = All Manual

AR = use ase required - = Non illustrated part

2000 SR

Plumbing A/C
Figure 24-220



ITEM	PART NUMBER	QTY	LINE	SERIES	BODY	ENGINE	TRANS	TRIM	DESCRIPTION
1	05245035	1							LINE, A/C Suction
2	04796564	1							O RING, A/C Line, 5/8 inch
3	04740361	1							O RING, A/C Line
-4	05011346AA	1							VALVE CORE, Service Port
5	06035583	2							CLIP, Wrap Around
6	05264642	1							CAP, A/C Check Valve
7	04848164	1							LINE, A/C Liquid
8	05114529AA	1							O RING, A/C Line, Drier
9	05114528AA	1							O RING, A/C Line, Condenser
-10	05011346AA	1							VALVE CORE, Service Port
11	05072866AA	1							CAP, A/C Charge Valve
12	05245036	1							LINE, A/C Discharge
13	04796565	2							O RING, A/C Line
14	04709099	1							CLIP, Discharge Line, 1/2"
15	04708201	1							RECEIVER DRIER, w/Bracket
16	05264650	1							DECAL, A/C System Specification, English
17	04708204	1							SWITCH, Dual Pressure
-18	04848672	1							TUBE, Filter Drier to Evaporator, w/Switch, Tube/Harness
19	04708206	1							CONDENSER, Air Conditioning, w/Bushings
20	04708365	1							HOSE, Drain, Drain
21	04709377	1							BRACKET, A/C CondenserUpper

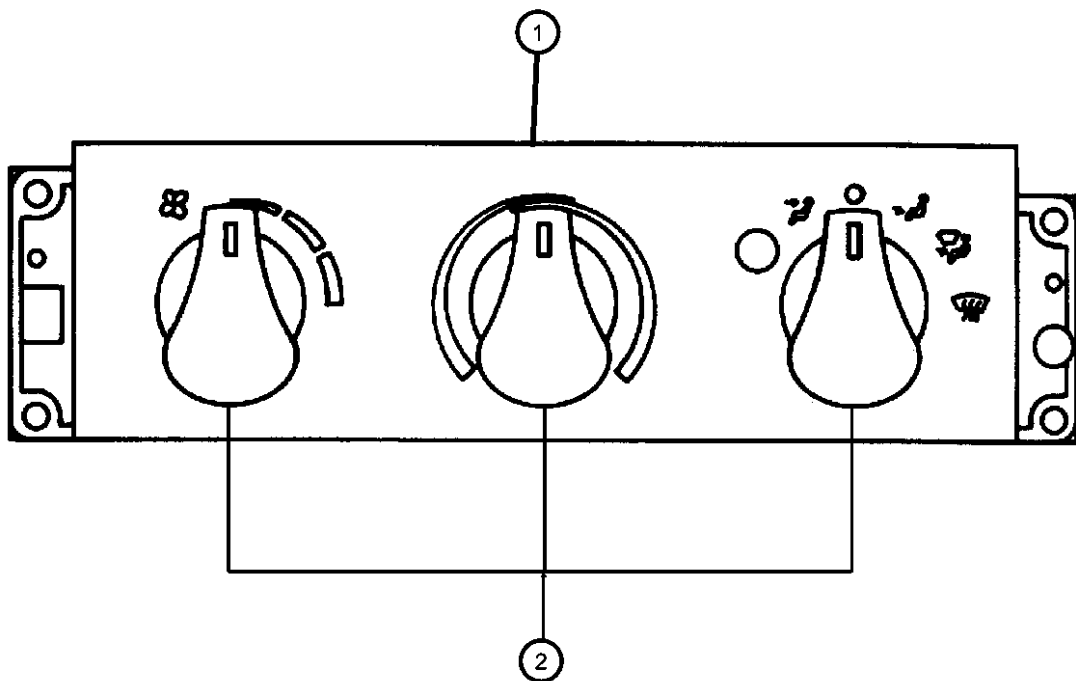
VIPER GTS COUPE,VIPER RT/10 ROADSTER (SR)

SERIES	LINE	BODY	ENGINE	TRANSMISSION
S = RT/10	D = DODGE	27 = 2-DR CONVERTIBLE	EWB = ENGINE - 8.0L V10	DEC = TRANSMISSION - 6-SPEED
S = GTS Coupe		29 = SPECIALTY COUPE	SFI	MANUAL
X = GTS/Lemans			EW0 = All 8.0L Gas	DBB = All Manual

AR = use ase required - = Non illustrated part

Control Assembly
Figure 24-310

ITEM	PART NUMBER	QTY	LINE	SERIES	BODY	ENGINE	TRANS	TRIM	DESCRIPTION
1	05245298	1							CONTROL, A/C And Heater
2	05245298	1							KNOB, Temperature Controller, Serviced in #1, (NOT SERVICED)



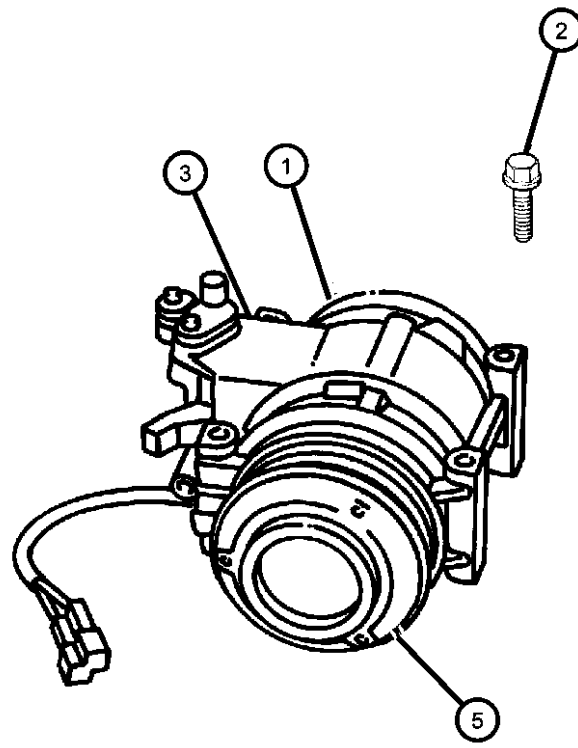
VIPER GTS COUPE,VIPER RT/10 ROADSTER (SR)

SERIES	LINE	BODY	ENGINE	TRANSMISSION
S = RT/10	D = DODGE	27 = 2-DR CONVERTIBLE	EWB = ENGINE - 8.0L V10	DEC = TRANSMISSION - 6-SPEED
S = GTS Coupe		29 = SPECIALTY COUPE	SFI	MANUAL
X = GTS/Lemans			EW0 = All 8.0L Gas	DBB = All Manual

AR = use ase required - = Non illustrated part

2000 SR

Compressor, A/C
Figure 24-410



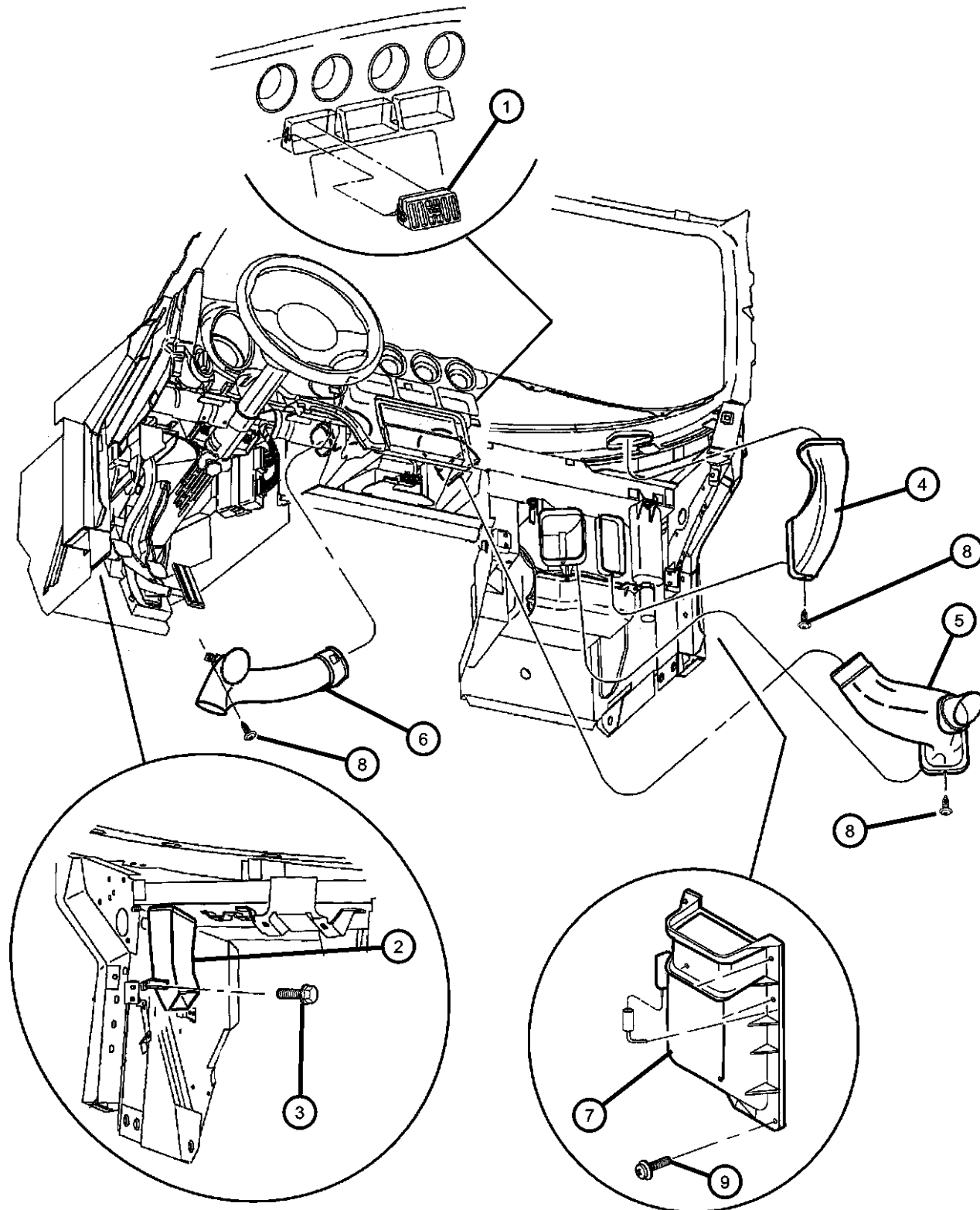
ITEM	PART NUMBER	QTY	LINE	SERIES	BODY	ENGINE	TRANS	TRIM	DESCRIPTION
NOTE: Sales Codes: [EWB] = 8.0L V10 SFI									
1	04848584	1				EWB			COMPRESSOR, Air Conditioning
2	06034244	3				EWB			SCREW AND WASHER, Hex Head, .312-18x3.50
3	04882801	1				EWB			MANIFOLD KIT, A/C Compressor
-4	04728854	1				EWB			SEAL, Manifold To Compressor
5	04897330AA	1				EWB			PULLEY HUB KIT, A/C Compressor
-6	05264452	1				EWB			CLUTCH OVERHAUL KIT, A/C Compressor
-7	04882802	1				EWB			COIL, Stator, A/C Compressor Clutch

VIPER GTS COUPE,VIPER RT/10 ROADSTER (SR)

SERIES	LINE	BODY	ENGINE	TRANSMISSION
S = RT/10	D = DODGE	27 = 2-DR CONVERTIBLE	EWB = ENGINE - 8.0L V10	DEC = TRANSMISSION - 6-SPEED
S = GTS Coupe		29 = SPECIALTY COUPE	SFI	MANUAL
X = GTS/Lemans			EW0 = All 8.0L Gas	DBB = All Manual

AR = use ase required - = Non illustrated part

Vents And Outlets
Figure 24-610



ITEM	PART NUMBER	QTY	LINE	SERIES	BODY	ENGINE	TRANS	TRIM	DESCRIPTION
1	04462469	3							AIR OUTLET, Heater and A/C
2	04643122	1							DUCT, Air Outlet, Left
3	06032723	1							SCREW, Self Tapping, M4.2x1.69x19.05
4	04848764	1							ADAPTER, Defroster Duct
5	04763113	1							VENT, A/C Duct Right
6	04763111	1							VENT, A/C Duct Left
7	04763972AB	1							DUCT, A/C And Heater
8	06032723	4							SCREW, Self Tapping, M4.2x1.69x19.05
9	06032723	4							SCREW, .190-16x.500, (NOT SERVICED)

VIPER GTS COUPE,VIPER RT/10 ROADSTER (SR)

SERIES	LINE	BODY	ENGINE	TRANSMISSION
S = RT/10	D = DODGE	27 = 2-DR CONVERTIBLE	EWB = ENGINE - 8.0L V10	DEC = TRANSMISSION - 6-SPEED
S = GTS Coupe		29 = SPECIALTY COUPE	SFI	MANUAL
X = GTS/Lemans			EW0 = All 8.0L Gas	DBB = All Manual

AR = use ase required - = Non illustrated part

2000 SR

Group - 25

Emission Systems

Group - 25 Emission Systems

Group-Fig. No.

Illustration Title

Emission Labels

Emission Labels Fig. 25 - 110

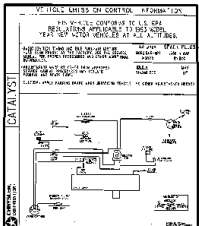
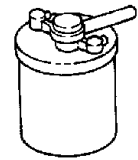
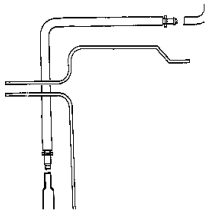
Vacuum Canister

Vacuum Canister Fig. 25 - 310

Emission Harness

Emission Harness Fig. 25 - 410

Leak Detection Pump Fig. 25 - 450

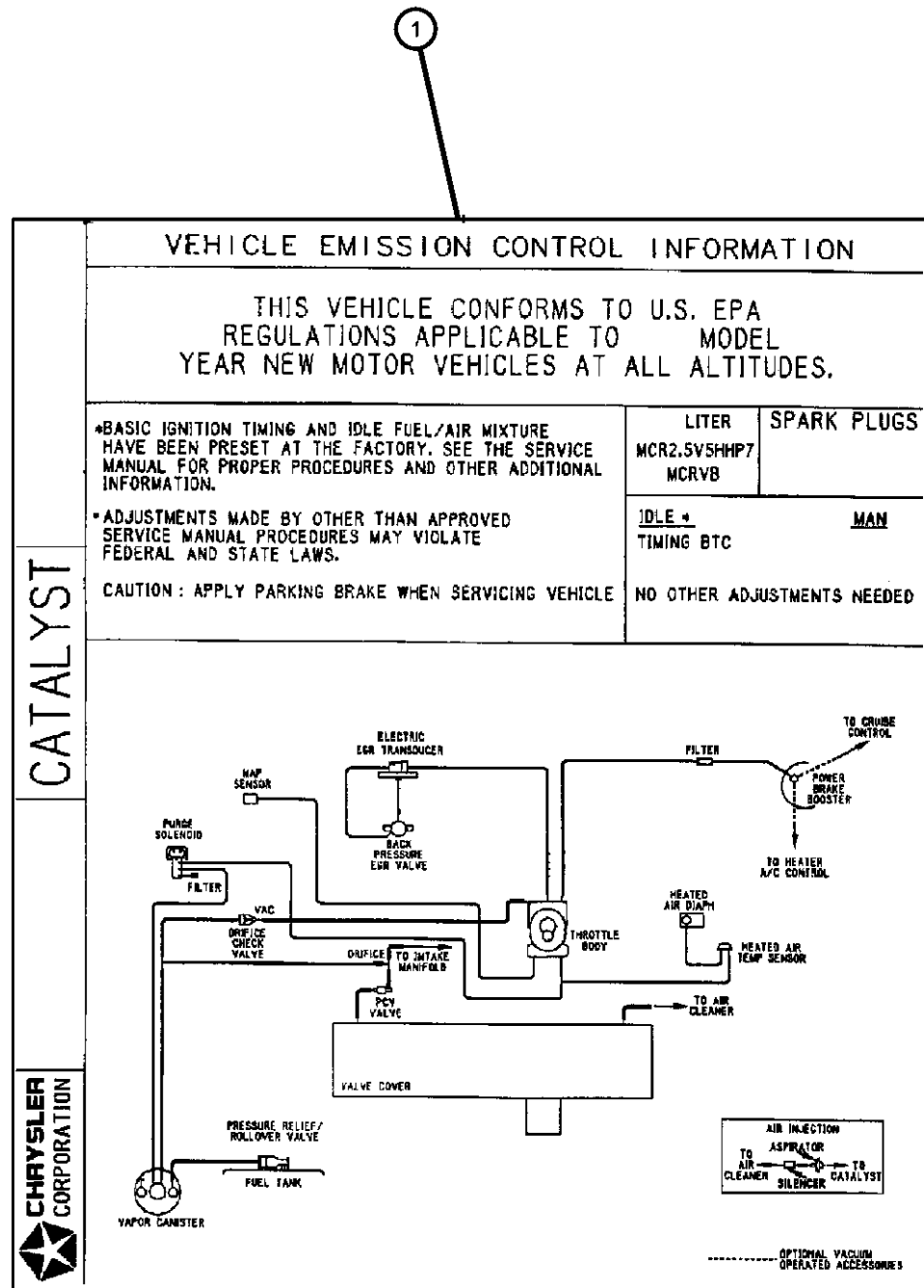
<p>025-100 Emission Labels</p> 	<p>025-300 Vacuum Canister</p> 	<p>025-400 Emission Harness</p> 	
---	---	---	--

Emission Labels
Figure 25-110

ITEM	PART NUMBER	QTY	LINE	SERIES	BODY	ENGINE	TRANS	TRIM	DESCRIPTION
------	-------------	-----	------	--------	------	--------	-------	------	-------------

NOTE: NAA=Federal Emissions.

1									LABEL, Emission
	04848862AD	1							International
	04855100AD	1							U.S. Domestic
	04855105AD	1							Canada



VIPER GTS COUPE, VIPER RT/10 ROADSTER (SR)

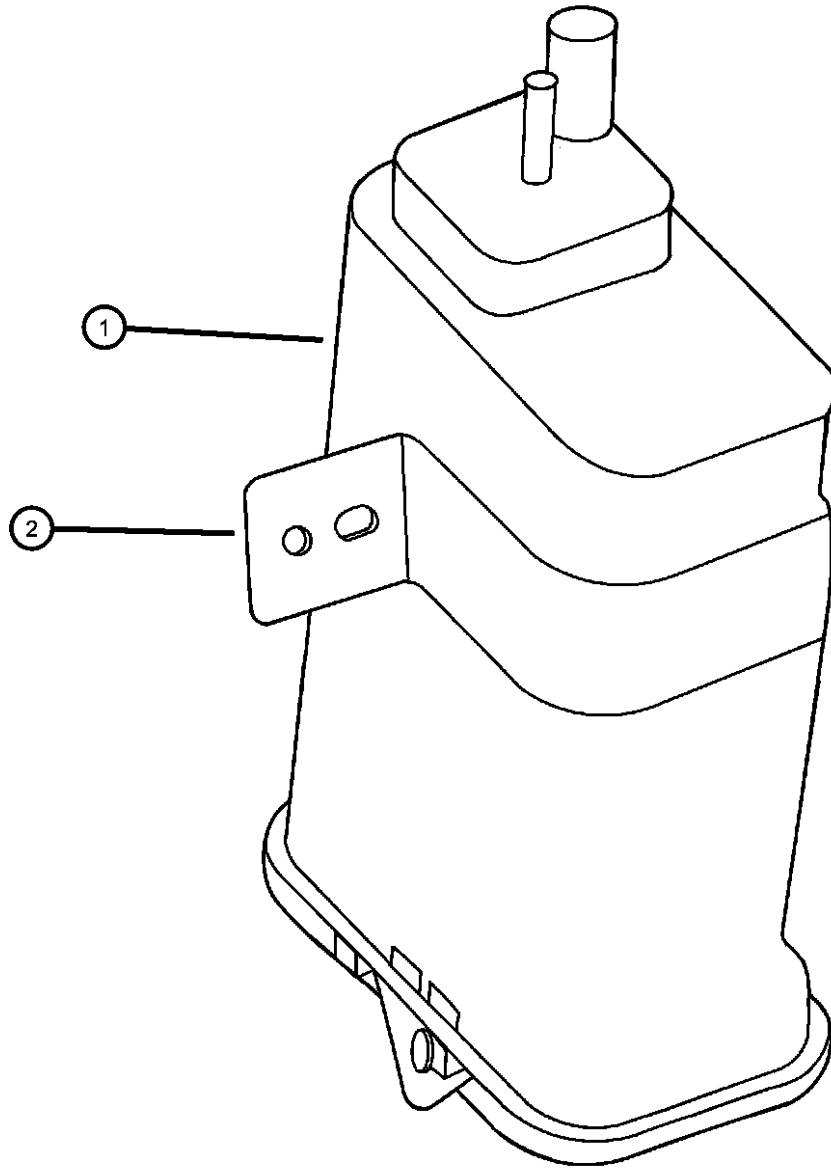
SERIES	LINE	BODY	ENGINE	TRANSMISSION
S = RT/10	D = DODGE	27 = 2-DR CONVERTIBLE	EWB = ENGINE - 8.0L V10	DEC = TRANSMISSION - 6-SPEED
S = GTS Coupe		29 = SPECIALTY COUPE	SFI	MANUAL
X = GTS/Lemans			EW0 = All 8.0L Gas	DBB = All Manual

AR = use ase required - = Non illustrated part

2000 SR

Vacuum Canister
Figure 25-310

ITEM	PART NUMBER	QTY	LINE	SERIES	BODY	ENGINE	TRANS	TRIM	DESCRIPTION
1	05264889AA	1							CANISTER, Vapor
2	05264878AA	1							BRACKET, Leak Detection Pump
-3	06503951	3							STUD, M6X1.00X.250-14X30.00
-4	06101447	3							NUT
-5	06101801	3							SCREW, Tapping Annular, M8x1.25x15



VIPER GTS COUPE,VIPER RT/10 ROADSTER (SR)

SERIES	LINE	BODY	ENGINE	TRANSMISSION
S = RT/10	D = DODGE	27 = 2-DR CONVERTIBLE	EWB = ENGINE - 8.0L V10	DEC = TRANSMISSION - 6-SPEED
S = GTS Coupe		29 = SPECIALTY COUPE	SFI	MANUAL
X = GTS/Lemans			EW0 = All 8.0L Gas	DBB = All Manual

AR = use ase required - = Non illustrated part

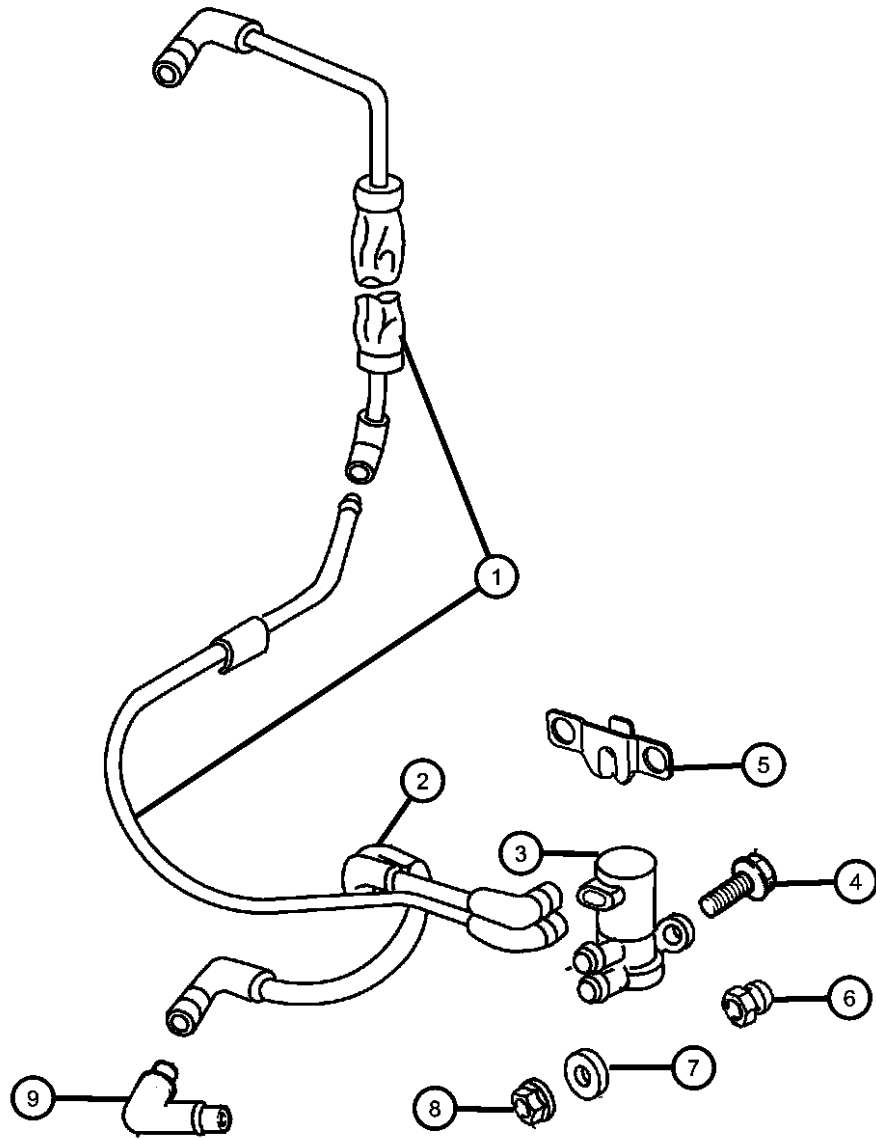
2000 SR

**Emission Harness
Figure 25-410**

ITEM	PART NUMBER	QTY	LINE	SERIES	BODY	ENGINE	TRANS	TRIM	DESCRIPTION
------	-------------	-----	------	--------	------	--------	-------	------	-------------

NOTES: Sales Code
[EWB] = 8.0L V10 SFI Engine

1	04763804AD	1				EWB			HARNESS, Canister Purge
2	05264879AA	1							HARNESS, Purge Body
3	04669475AB	1							SOLENOID, Duty Cycle Purge
4	06100270	2							SCREW AND WASHER, M6x1x40
5	04762085	1							BRACKET, Duty Cycle Purge Solenoid
6	04669268	2							GROMMET
7	03502916	2							SPACER, Speed Control Servo
8	34201358	2							NUT AND WASHER, Hex Nut-Sealing Washer, M6 x 1.00
9	34201358	2							ELBOW, Vapor Tube Harness, .25x.25 90 Degree, (NOT SERVICED)



VIPER GTS COUPE,VIPER RT/10 ROADSTER (SR)

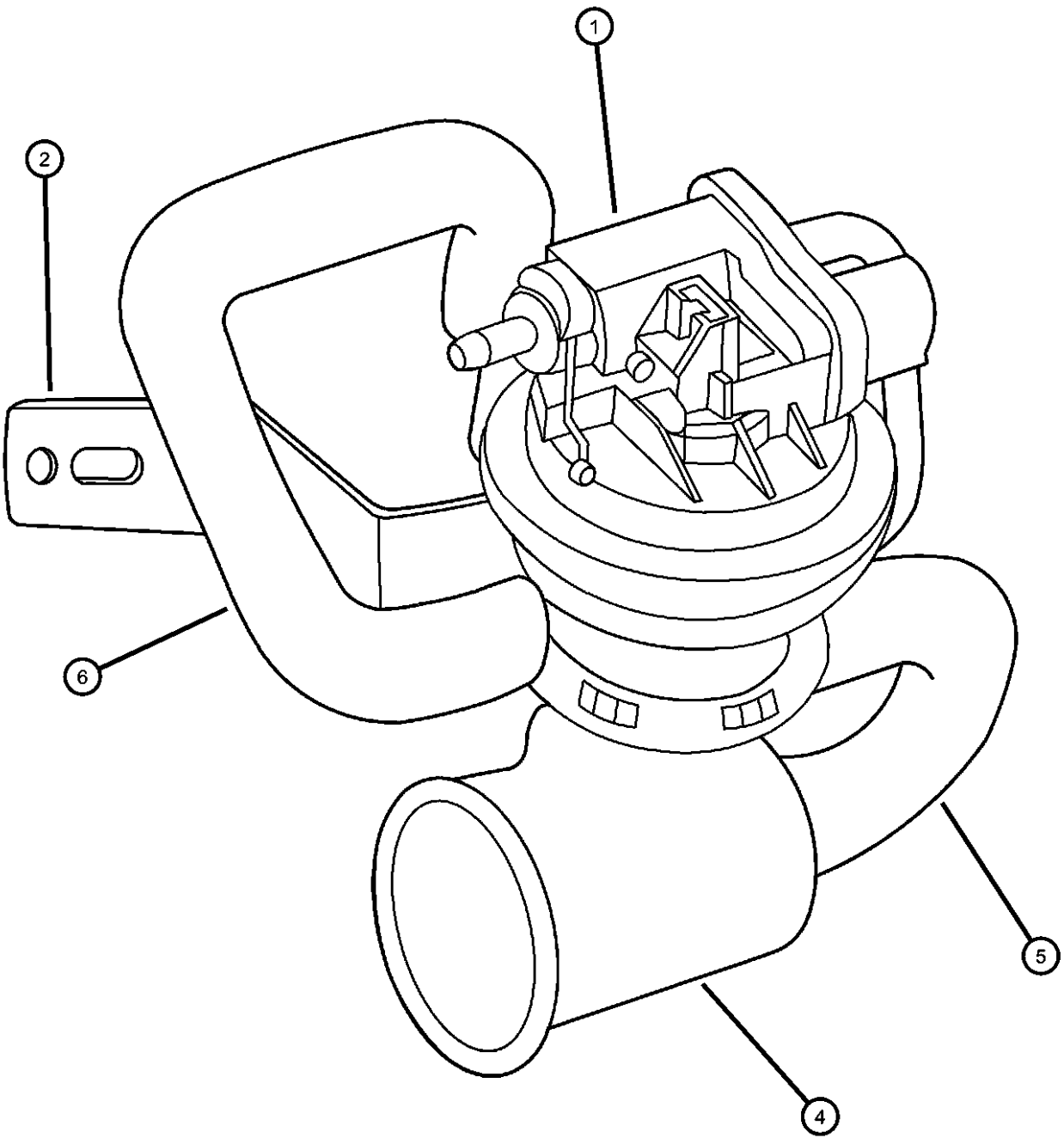
SERIES	LINE	BODY	ENGINE	TRANSMISSION
S = RT/10	D = DODGE	27 = 2-DR CONVERTIBLE	EWB = ENGINE - 8.0L V10	DEC = TRANSMISSION - 6-SPEED
S = GTS Coupe		29 = SPECIALTY COUPE	SFI	MANUAL
X = GTS/Lemans			EW0 = All 8.0L Gas	DBB = All Manual

AR = use ase required - = Non illustrated part

2000 SR

**Leak Detection Pump
Figure 25-450**

ITEM	PART NUMBER	QTY	LINE	SERIES	BODY	ENGINE	TRANS	TRIM	DESCRIPTION
1	05290002AA	1							PUMP, Leak Detection
2	05264878AA	1							BRACKET, Leak Detection Pump
-3	06035482	3							SCREW, Tapping, .19-16x.375
4	04612901	1							FILTER, Fuel Vapor Vent
5	04669359	1							HOSE, Leak Detection Pump
6	05264888AA	1							HOSE, Leak Detection Pump to Canister
-7	06502493	2							NUT, Hex Flange Serration, M6x1
-8	05290003AA	1							HARNES, Brake Booster to LDP Supply Line



VIPER GTS COUPE,VIPER RT/10 ROADSTER (SR)

SERIES	LINE	BODY	ENGINE	TRANSMISSION
S = RT/10	D = DODGE	27 = 2-DR CONVERTIBLE	EWB = ENGINE - 8.0L V10	DEC = TRANSMISSION - 6-SPEED
S = GTS Coupe		29 = SPECIALTY COUPE	SFI	MANUAL
X = GTS/Lemans			EW0 = All 8.0L Gas	DBB = All Manual

AR = use ase required - = Non illustrated part

Group - DSR

Doors and Related Parts

Group - DSR Doors and Related Parts

Illustration Title

Group-Fig. No.

Front Door

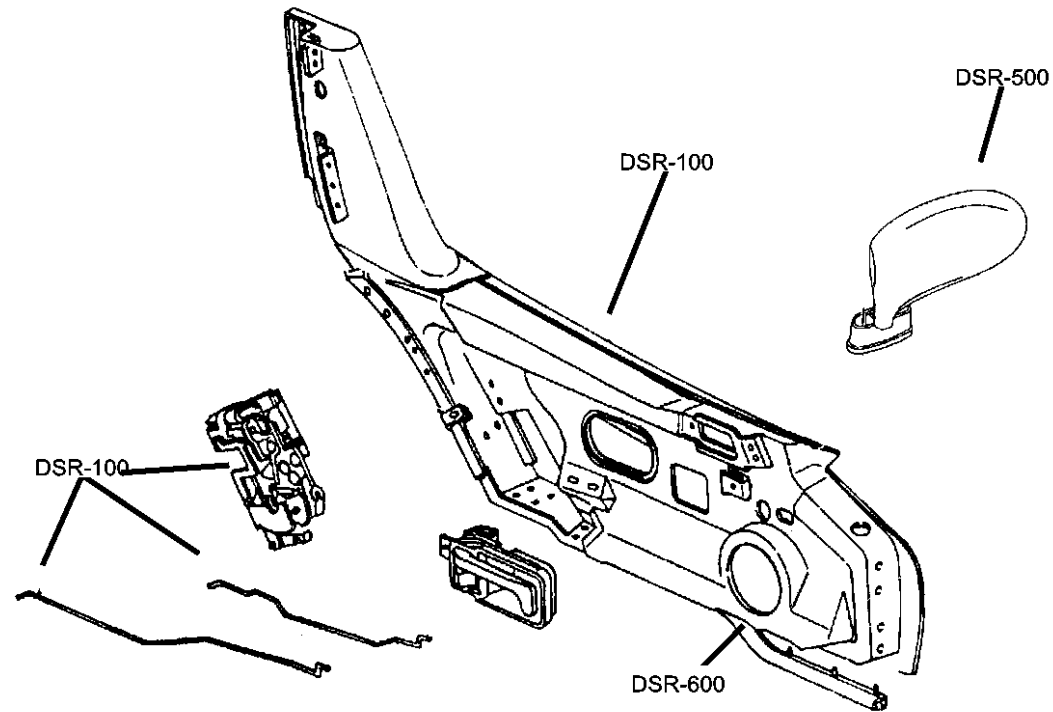
Door, Front Shell And Hinges	Fig. DSR - 110
Door , Front Glass And Regulator	Fig. DSR - 125
Door, Front Lock And Controls	Fig. DSR - 130

Exterior Mirror

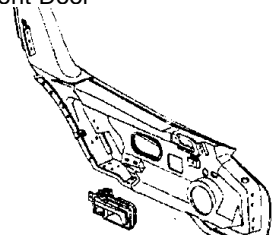
Mirrors, Exterior	Fig. DSR - 510
-------------------------	----------------

Weatherstrips and Seals

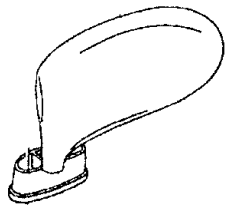
Door, Front Seals Viper 27	Fig. DSR - 610
Door, Front Weatherstrips And Seals Viper 29	Fig. DSR - 620



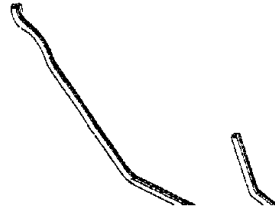
DSR-100
Front Door



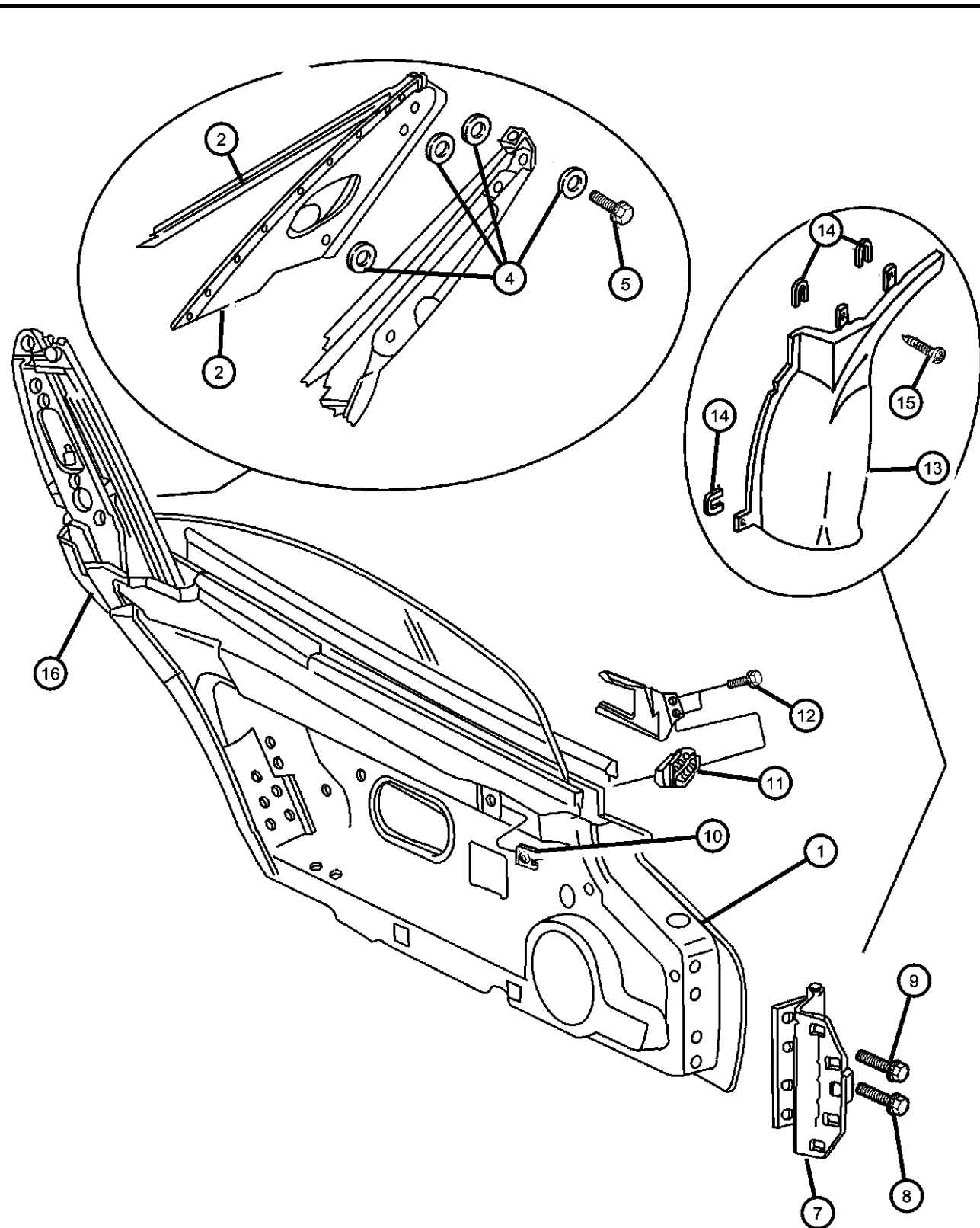
DSR-500
Exterior Mirror



DSR-600
Weatherstrips and Seals



**Door, Front Shell And Hinges
Figure DSR-110**



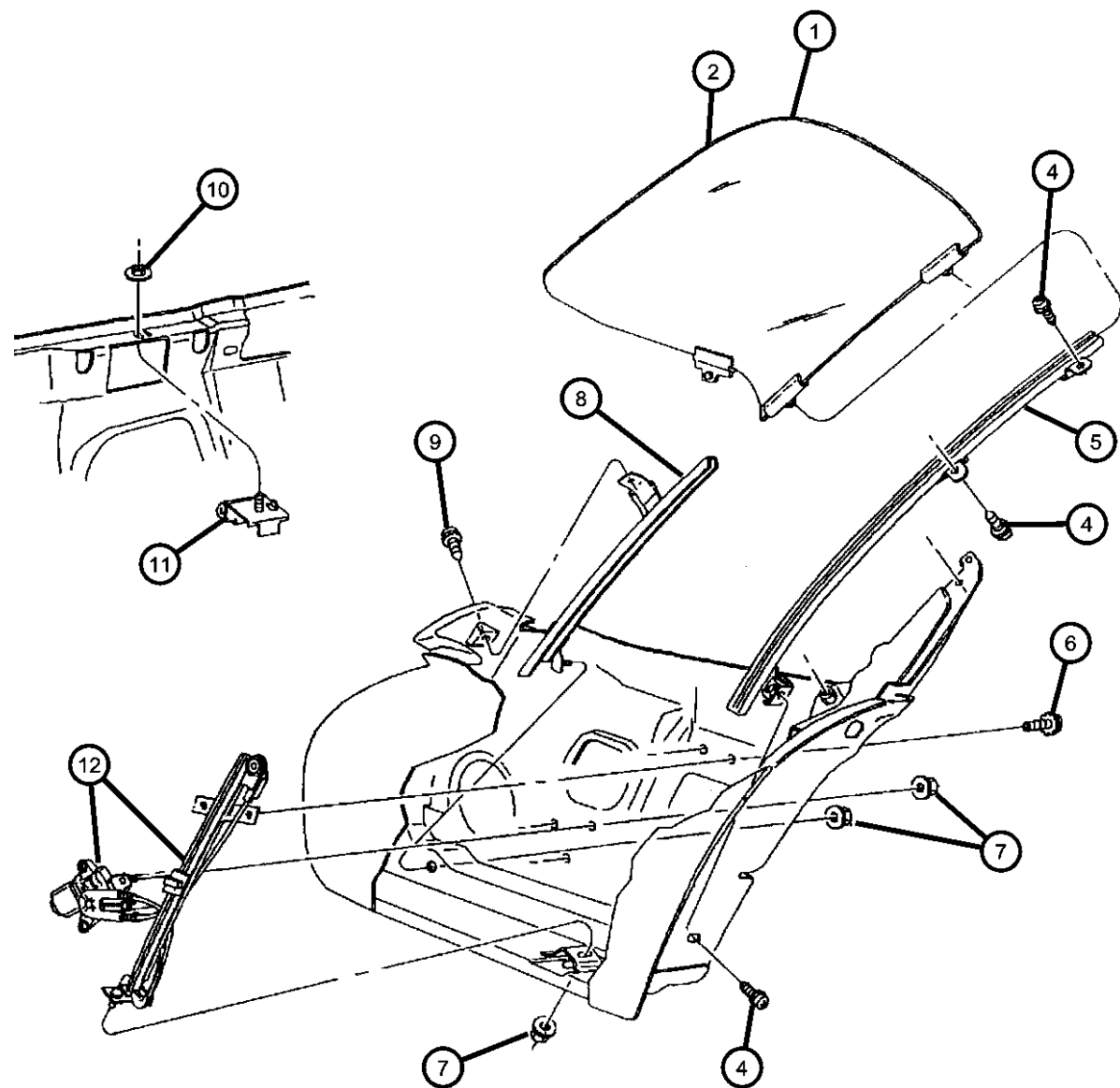
ITEM	PART NUMBER	QTY	LINE	SERIES	BODY	ENGINE	TRANS	TRIM	DESCRIPTION
1									DOOR, Front
	04854332AC	1			27				Right
	04854333AC	1			27				Left
	04854336AC	1			29				Right
	04854337AC	1			29				Left
2									COVER, B Pillar Trim Panel
	0ME74MX3AD	1			29				Right
	0ME75MX3AD	1			29				Left
	0QB96JX8AF	1			27				Right
	0QB97JX8AF	1			27				Left
-3	04763963	1			29				BRACKET, Stanchion Cover Mtg.
4	04763963	1							WASHER, Cover Mtg., (NOT SERVICED)
5	04763963	1							SCREW, (NOT SERVICED)
-6									TAPE, Stanchion Cover, Rear of Door
	04848916AA	1			29				Right
	04848917AA	1			29				Left
7	05245109	2							HINGE, Front Door
8	06502549	4							SCREW, Pan Head, M8x1.25x30
9	06503351	4							SCREW AND WASHER, Hex Head, M8x1.25x35
10	06503351	4							NUT, (NOT SERVICED)
11	06502676	4							NUT, Hex, M6x1.00
12	06032723	4							SCREW, Self Tapping, M4.2x1.69x19.05
13									COVER, Hinge
	04854322AA	1							Right
	04854323AA	1							Left
14	35022111	AR							SPACER, Fender, 1.0
15	35022111	AR							SCREW, (NOT SERVICED)
16									TAPE, Stanchion Cover Shutface
	04848918AB	1							Right
	04848919AB	1							Left
-17	02860332	4							PLUG, Anti-Rattle, Door Shutface

VIPER GTS COUPE,VIPER RT/10 ROADSTER (SR)

SERIES	LINE	BODY	ENGINE	TRANSMISSION
S = RT/10	D = DODGE	27 = 2-DR CONVERTIBLE	EWB = ENGINE - 8.0L V10	DEC = TRANSMISSION - 6-SPEED
S = GTS Coupe		29 = SPECIALTY COUPE	SFI	MANUAL
X = GTS/Lemans			EW0 = All 8.0L Gas	DBB = All Manual

AR = use ase required - = Non illustrated part

**Door , Front Glass And Regulator
Figure DSR-125**



ITEM	PART NUMBER	QTY	LINE	SERIES	BODY	ENGINE	TRANS	TRIM	DESCRIPTION
1	04763268AB	1			29				GLASS, Front Door Right
	DD09568GTY								Collision Replacement Glass
	04763269AB	1			29				Left
	DD09569GTY								Collision Replacement Glass
2	04848470AB	1			27				GLASS, Door Right
	DD09250GTY								Collision Replacement Glass
	04848471AB	1			27				Left
	DD09251GTY								Collision Replacement Glass
-3	04763280	2			27				UPSTOP, Front Door Window Glass
4	06501373	6							SCREW AND WASHER, Hex Head, M6x1x20
5									CHANNEL, Front Door Glass
	04763278	1			29				Right
	04763279	1			29				Left
	04848460	1			27				Right
	04848461	1			27				Left
6	06504199	4							SCREW, Hex Flange Head, M6x1x12
7	06502843	2							NUT AND WASHER, Hex Nut-Coned Washer, M6 x 1.00
8									CHANNEL, Door Glass
	04763284AB	1							Right
	04763285AB	1							Left
9	06501373	6							SCREW AND WASHER, Hex Head, M6x1x20
10	06502676	4							NUT, Hex, M6x1.00
11	04658734	2							STABILIZER, Door Glass Belt
12									REGULATOR, Front Door Window
	04763282	1							Right
	04763283	1							Left

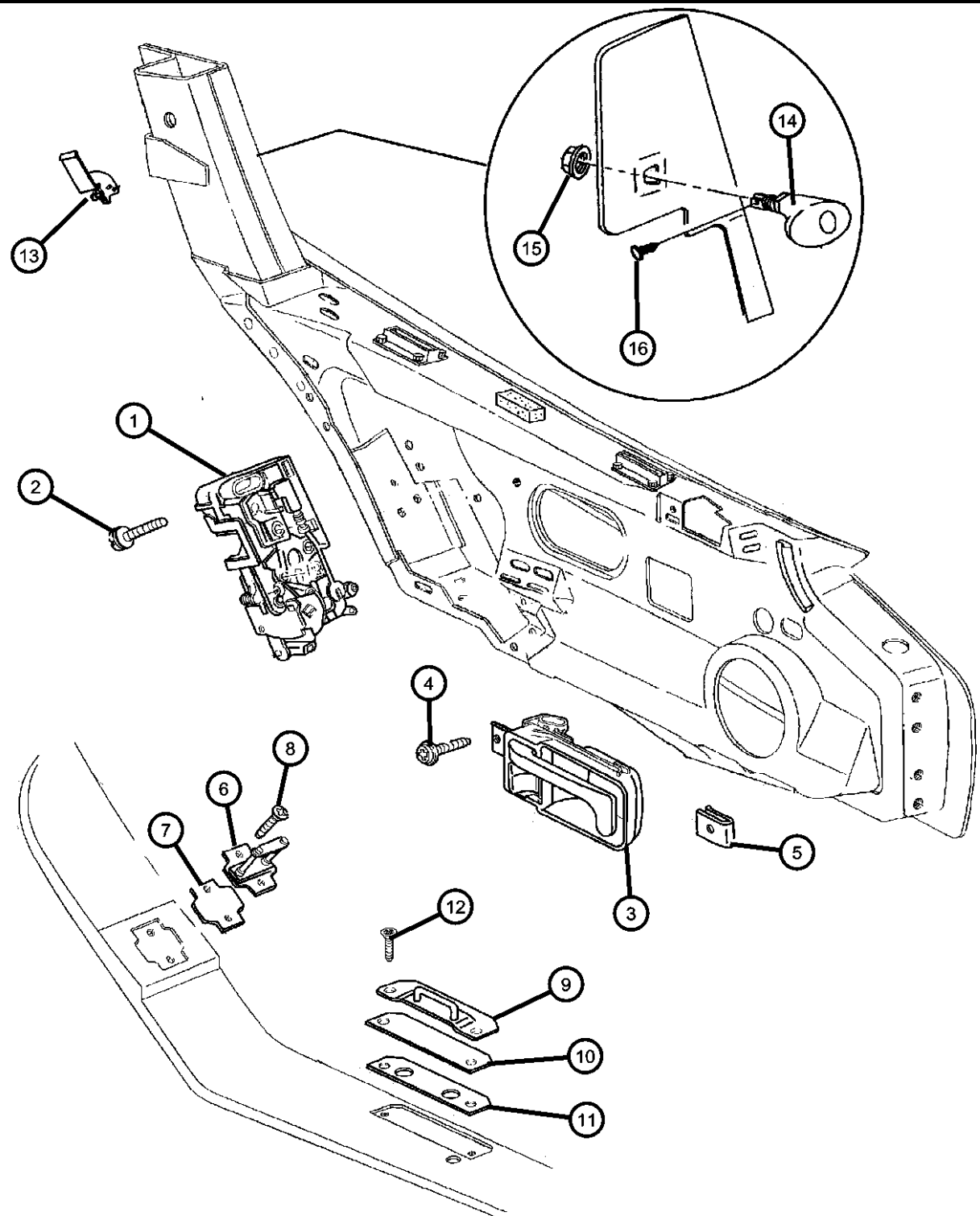
VIPER GTS COUPE,VIPER RT/10 ROADSTER (SR)

SERIES	LINE	BODY	ENGINE	TRANSMISSION
S = RT/10	D = DODGE	27 = 2-DR CONVERTIBLE	EWB = ENGINE - 8.0L V10	DEC = TRANSMISSION - 6-SPEED
S = GTS Coupe		29 = SPECIALTY COUPE	SFI	MANUAL
X = GTS/Lemans			EW0 = All 8.0L Gas	DBB = All Manual

AR = use ase required - = Non illustrated part

2000 SR

**Door, Front Lock And Controls
Figure DSR-130**



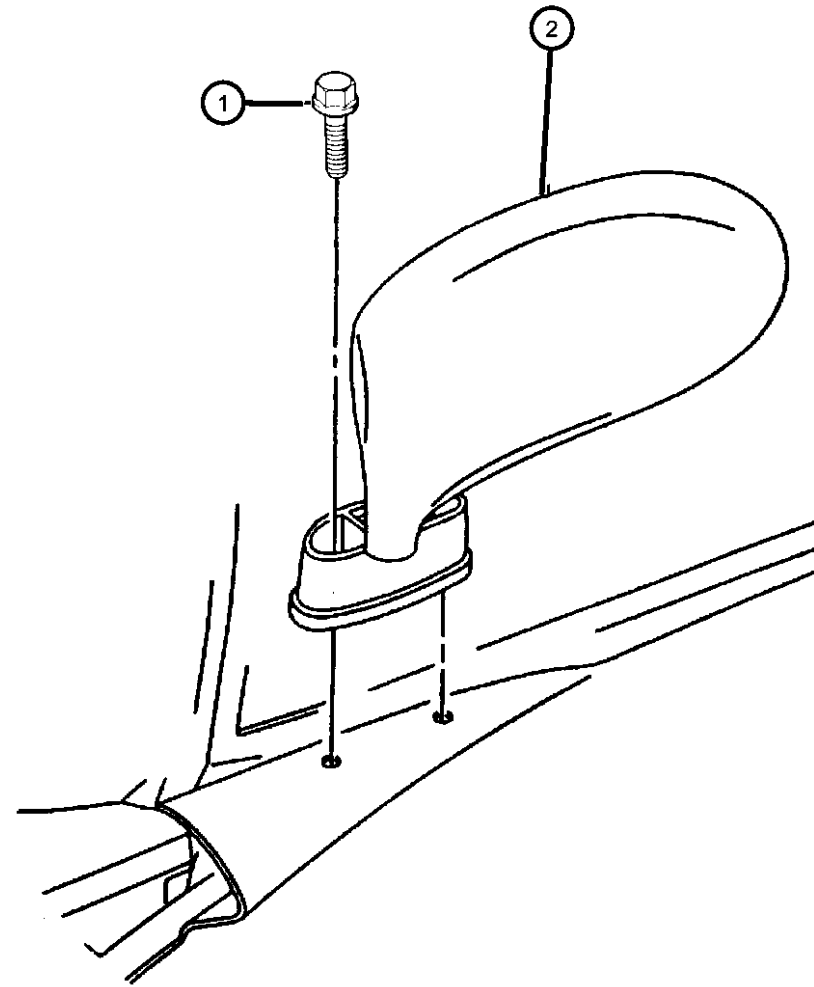
ITEM	PART NUMBER	QTY	LINE	SERIES	BODY	ENGINE	TRANS	TRIM	DESCRIPTION
1									LATCH, Front Door
	04763186	1			27				Right
		1			29				Right
	04763187	1							Left
2	06501373	6							SCREW AND WASHER, Hex Head, M6x1x20, Latch
3	06501373	6							HOUSING, Door Remote Control, Service in Door Trim Panel, (NOT SERVICED)
4	06501373	6							SCREW, Pan Head, .164-18x.50, (NOT SERVICED)
5	06501373	6							U NUT, .190-16, (NOT SERVICED)
6	04643066	2							STRIKER, Door Latch
7	04643067	AR							SPACER, Door Lock Striker
8	04643428	4							SCREW, Flat Head, M8x1.25x36.3, Striker
9	05245098AB	2							INTERLOCK, Door Restraint
10	04763553	AR							SPACER, Lower Door Restraint
11	04763554	2							INSULATOR, Restraint System
12	06503665	4							SCREW, Flange Head, M6x1x18
13	06503665	4							HANDLE, Inside Manual Override, Serviced in Trim Panel, (NOT SERVICED)
14									HANDLE, Front Door
	0PS20SX8	1			29				Black, Right
	0PS20TX9	1			27				Flat Black, Right
	0PS21SX8	1			29				Black, Left
	0PS21TX9	1			27				Flat Black, Left
15	05245795	1			27				NUT
16	04848479	2							PIN, Snap

VIPER GTS COUPE,VIPER RT/10 ROADSTER (SR)

SERIES	LINE	BODY	ENGINE	TRANSMISSION
S = RT/10	D = DODGE	27 = 2-DR CONVERTIBLE	EWB = ENGINE - 8.0L V10	DEC = TRANSMISSION - 6-SPEED
S = GTS Coupe		29 = SPECIALTY COUPE	SFI	MANUAL
X = GTS/Lemans			EW0 = All 8.0L Gas	DBB = All Manual

AR = use ase required - = Non illustrated part

Mirrors, Exterior
Figure DSR-510



ITEM	PART NUMBER	QTY	LINE	SERIES	BODY	ENGINE	TRANS	TRIM	DESCRIPTION
1	06503666	4							SCREW
2									MIRROR, Outside Rearview, Primed
	04854276AA	1							U.S - CANADA, Right
	04854277AC	1							, Left
	04854282AC	1					27		EXPORT, Right
		1					29		EXPORT, Right

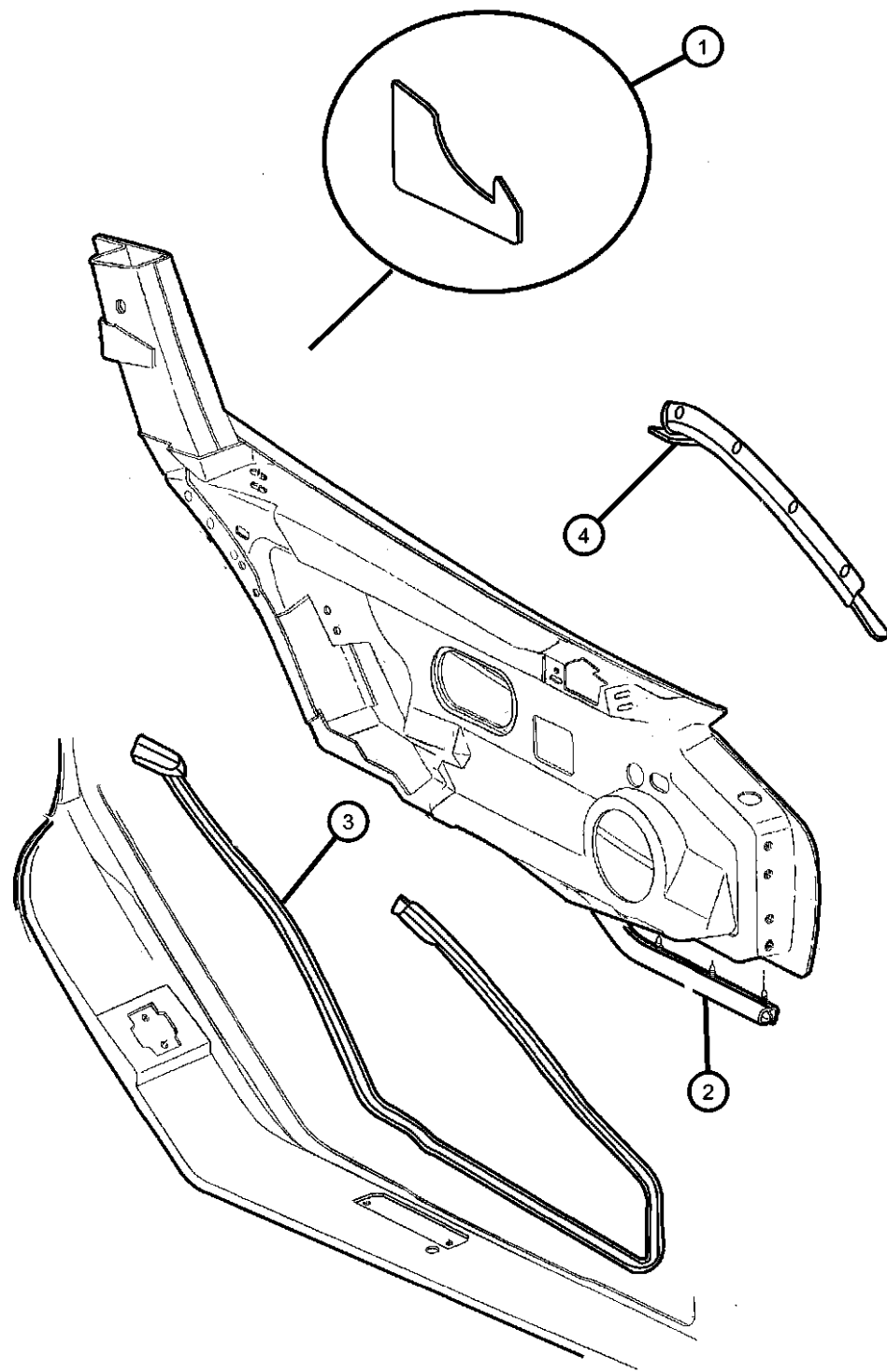
VIPER GTS COUPE,VIPER RT/10 ROADSTER (SR)

SERIES	LINE	BODY	ENGINE	TRANSMISSION
S = RT/10	D = DODGE	27 = 2-DR CONVERTIBLE	EWB = ENGINE - 8.0L V10	DEC = TRANSMISSION - 6-SPEED
S = GTS Coupe		29 = SPECIALTY COUPE	SFI	MANUAL
X = GTS/Lemans			EW0 = All 8.0L Gas	DBB = All Manual

AR = use ase required - = Non illustrated part

2000 SR

Door, Front Seals Viper 27
Figure DSR-610



ITEM	PART NUMBER	QTY	LINE	SERIES	BODY	ENGINE	TRANS	TRIM	DESCRIPTION
1	04848204	1			27				SEAL, Door Right
	04848205	1			27				Left
2	04642872	2							SEAL, Door
3	04848304AG	1			27				WEATHERSTRIP, A-Pillar to Roof Right
	04848305AG	1			27				Left
4	04848464AC	1			27				RETAINER, B Pillar Weatherstrip Right
	04848465AC	1			27				Left
-5	04763890AB	1							WEATHERSTRIP, Door Belt Right, Inner
	04763891AB	1							Left, Inner
	04854261AA	1			27				Left, Outer
	04854262AA	1			27				Right, Outer

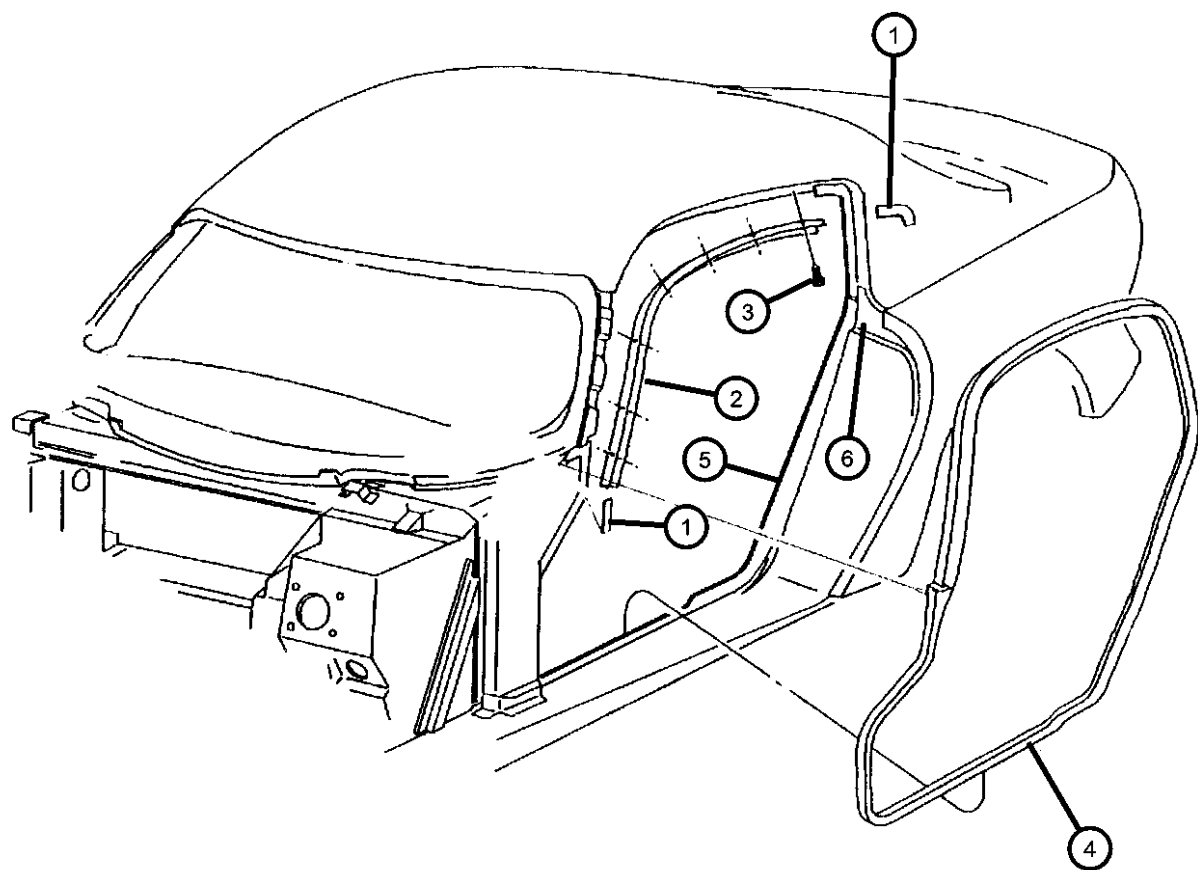
VIPER GTS COUPE,VIPER RT/10 ROADSTER (SR)

SERIES	LINE	BODY	ENGINE	TRANSMISSION
S = RT/10	D = DODGE	27 = 2-DR CONVERTIBLE	EWB = ENGINE - 8.0L V10	DEC = TRANSMISSION - 6-SPEED
S = GTS Coupe		29 = SPECIALTY COUPE	SFI	MANUAL
X = GTS/Lemans			EW0 = All 8.0L Gas	DBB = All Manual

AR = use ase required - = Non illustrated part

2000 SR

Door, Front Weatherstrips And Seals Viper 29
Figure DSR-620



ITEM	PART NUMBER	QTY	LINE	SERIES	BODY	ENGINE	TRANS	TRIM	DESCRIPTION
1	04848717	2			29				TAPE, Foam
2									RETAINER, Front Pillar to Glass
	04763888AD	1			29				Right
	04763889AD	1			29				Left
3	04763889AD	1							SCREW, (NOT SERVICED)
4									WEATHERSTRIP, Door Glass
	04763878AE	1			29				Right
	04763879AE	1			29				Left
5									WEATHERSTRIP, Door Belt
	04763882AE	1			29				Right, Outer
	04763883AE	1			29				Left, Outer
	04763890AB	1							Right, Inner
	04763891AB	1							Left, Inner
6									TAPE
	04848918AB	1							Right
	04848919AB	1							Left

VIPER GTS COUPE,VIPER RT/10 ROADSTER (SR)

SERIES	LINE	BODY	ENGINE	TRANSMISSION
S = RT/10	D = DODGE	27 = 2-DR CONVERTIBLE	EWB = ENGINE - 8.0L V10	DEC = TRANSMISSION - 6-SPEED
S = GTS Coupe		29 = SPECIALTY COUPE	SFI	MANUAL
X = GTS/Lemans			EW0 = All 8.0L Gas	DBB = All Manual

AR = use ase required - = Non illustrated part

2000 SR

Group - ESR

Exterior Ornamentation

Group - ESR Exterior Ornamentation

Illustration Title

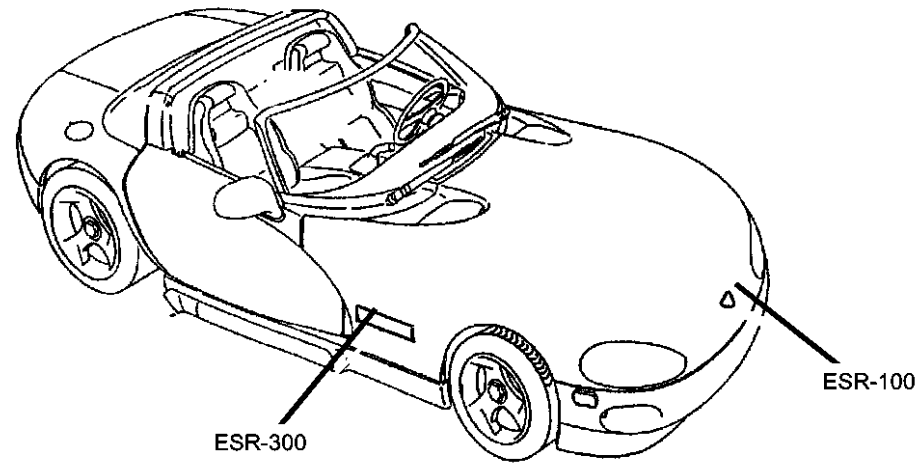
Group-Fig. No.



Medallions

Name Plates Fig. ESR - 110

Decals

Decals Fig. ESR - 310

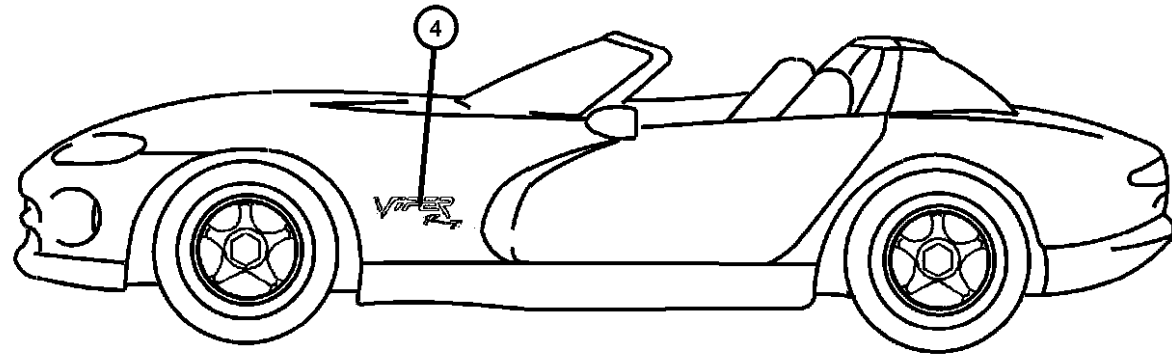
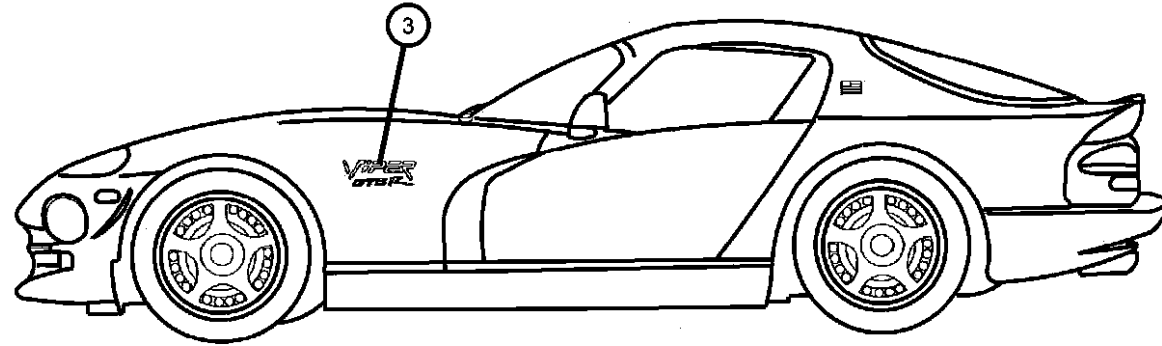
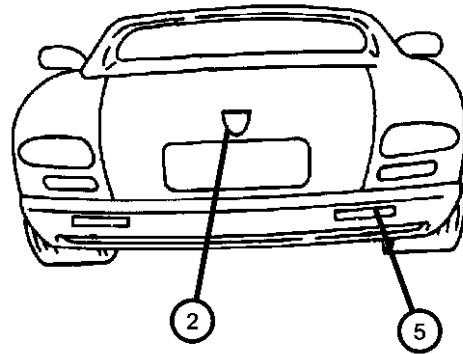
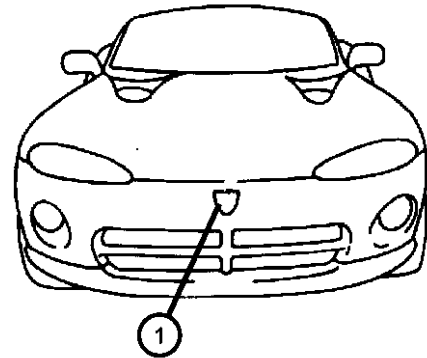


<p>ESR-100 Medallions</p> 	<p>ESR-300 Decals</p> 		
--	--	--	--

Name Plates
Figure ESR-110

ITEM	PART NUMBER	QTY	LINE	SERIES	BODY	ENGINE	TRANS	TRIM	DESCRIPTION
------	-------------	-----	------	--------	------	--------	-------	------	-------------

NOTE: Also see DECAL Illustration



1	0PF0005S	1							MEDALLION, Hood Charcoal
	0PF00T1R	1							Red
	0PF00W3X	1							Black
2	0JW4005S	1			27				MEDALLION, Viper Head Charcoal
	0JW40M1R	1			27				Red
	0JW40M3X	1			27				Black
3	04848943AA	2			29				NAMEPLATE, HOOD, GTS, Chrome
4	04848944AA	2			27				NAMEPLATE, HOOD, RT/10, Chrome
5	0GM69SX3	1			29				NAMEPLATE, Chrysler, Decklid Black
	0GM69VSM	1			29				Gray
	0GM69WRR	1			29				Bordeaux

VIPER GTS COUPE,VIPER RT/10 ROADSTER (SR)

SERIES	LINE	BODY	ENGINE	TRANSMISSION
S = RT/10	D = DODGE	27 = 2-DR CONVERTIBLE	EWB = ENGINE - 8.0L V10	DEC = TRANSMISSION - 6-SPEED
S = GTS Coupe		29 = SPECIALTY COUPE	SFI	MANUAL
X = GTS/Lemans			EW0 = All 8.0L Gas	DBB = All Manual

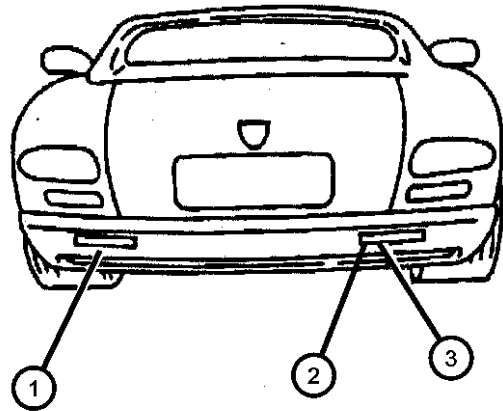
AR = use ase required - = Non illustrated part

2000 SR

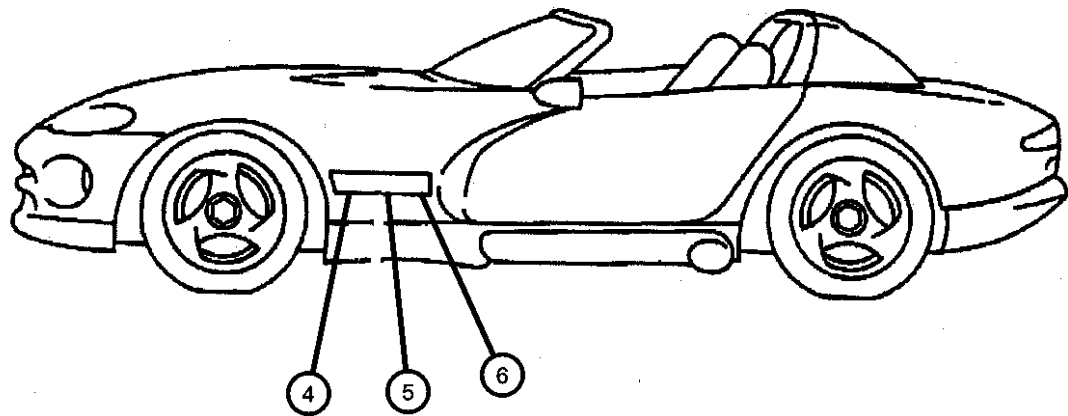
**Decals
Figure ESR-310**

ITEM	PART NUMBER	QTY	LINE	SERIES	BODY	ENGINE	TRANS	TRIM	DESCRIPTION
------	-------------	-----	------	--------	------	--------	-------	------	-------------

NOTE: Also see NAMEPLATE Illustration



1	0GC54SX3	1			27				DECAL, Dodge, Fascia [X3]
		1			29				[X3]
	0GC54VSM	1			27				[S6]
		1			29				[S6]
	0GC54WRR	1			27				[RN]
		1			29				[RN]
2	0GC43SX3	1			27				DECAL, Viper R/T 10, Fascia [X3]
	0GC43VSM	1			27				[S6]
	0GC43WRR	1			27				[RN]
3	0MB59PX3	1			29				DECAL, VIPER GTS, Fascia [X3]
	0MB59VSM	1			29				[S6]
	0MB59WRR	1			29				[RN]
4	0GC53SX3	2			27				DECAL, Viper R/T 10, Hood [KCX]
	0GC53WRR	2			27				[KCR]
5	0MB61PX3	2			29				DECAL, VIPER GTS, Hood [KCX]
	0MB61WRR	2			29				[KCR]
6	0SZ22CA1AA	2			29				DECAL, Hood, ACR, [KAS]



VIPER GTS COUPE, VIPER RT/10 ROADSTER (SR)

SERIES	LINE	BODY	ENGINE	TRANSMISSION
S = RT/10	D = DODGE	27 = 2-DR CONVERTIBLE	EWB = ENGINE - 8.0L V10	DEC = TRANSMISSION - 6-SPEED
S = GTS Coupe		29 = SPECIALTY COUPE	SFI	MANUAL
X = GTS/Lemans			EW0 = All 8.0L Gas	DBB = All Manual

AR = use ase required - = Non illustrated part

2000 SR

Group - ISR

Interior Trim

Group - ISR Interior Trim

Illustration Title

Group-Fig. No.

Headliner and Visor

Visors And Footrest Fig. ISR - 110
 Headliner Viper, Coupe Fig. ISR - 120

Quarter Panels and Scuff Plates

Quarter And Rear Bulkhead Panels Viper, Convertible Fig. ISR - 210
 Quarter And Rear Bulkhead Panels Viper, Coupe Fig. ISR - 215
 Door Sill Scuff Plate Fig. ISR - 220

Carpets, Mats and Insulation

Carpet, Front And Rear Fig. ISR - 320

Door Trim Panels-Front

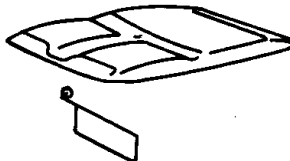
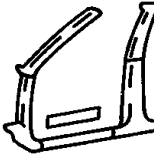
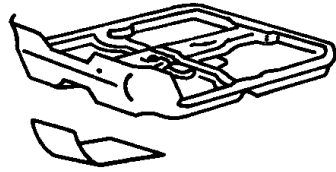
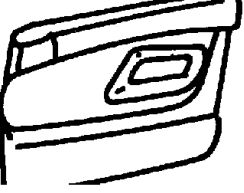
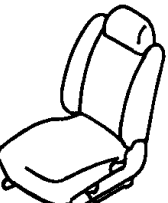
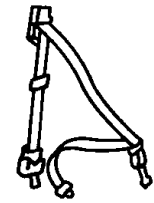
Door Panels Fig. ISR - 410

Front Seats

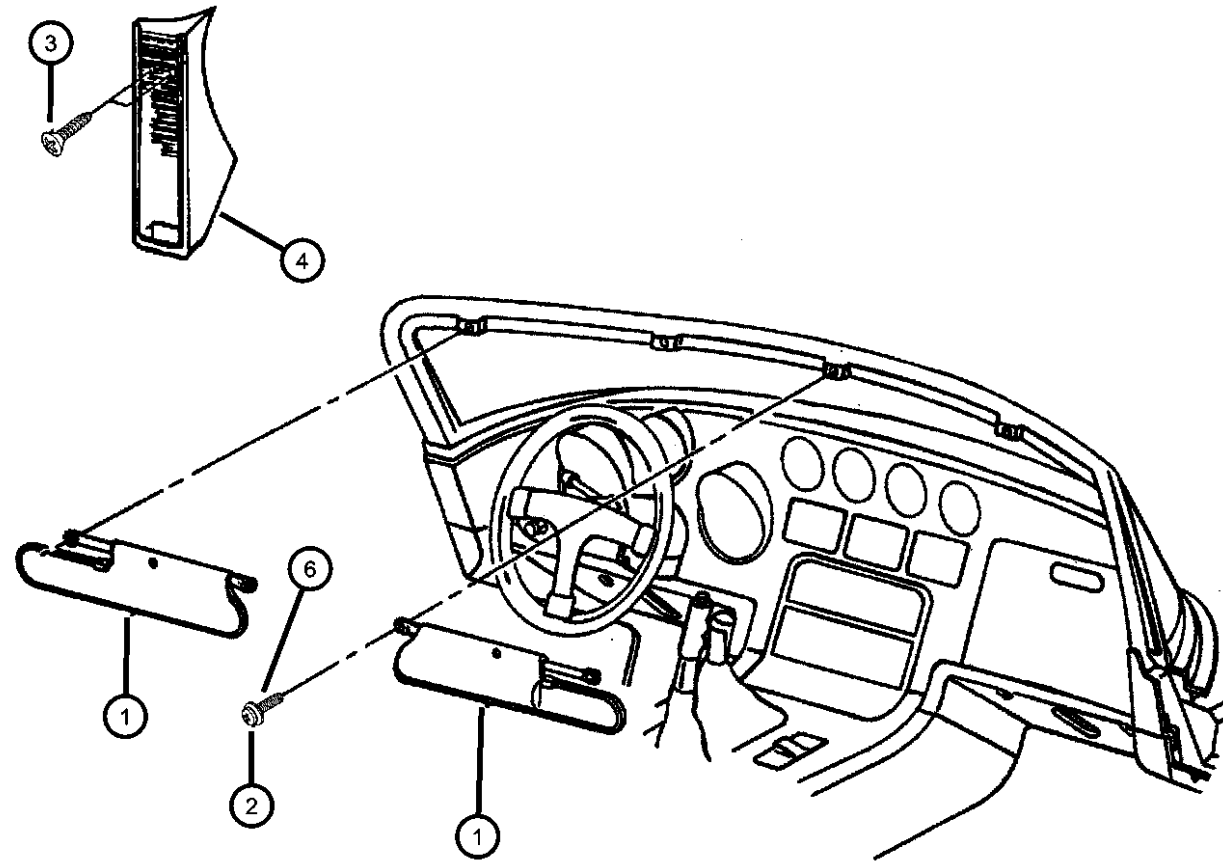
Seat, Front Fig. ISR - 510

Seat Belts Front-Outer and Inner

Belts - Front Seat-Outer Fig. ISR - 710
 Belts - Front Seat (5-Point Restraint - Competition Group) Fig. ISR - 720

<p>ISR-100 Headliner and Visor</p> 	<p>ISR-200 Quarter Panels and Scuff Plates</p> 	<p>ISR-300 Carpets, Mats and Insulation</p> 	<p>ISR-400 Door Trim Panels-Front</p> 
<p>ISR-500 Front Seats</p> 	<p>ISR-700 Seat Belts Front-Outer and Inner</p> 		

**Visors And Footrest
Figure ISR-110**



ITEM	PART NUMBER	QTY	LINE	SERIES	BODY	ENGINE	TRANS	TRIM	DESCRIPTION
1	0SE32DX9AC	1						*00	VISOR Right
	0SE33DX9AC	1						*00	Left
2	06032723	4			27				SCREW, Self Tapping, M4.2x1.69x19.05, Visor Attaching (.164-15x.750)
3	06032723	4							SCREW, (.164-18x.625), (NOT SERVICED)
4	06032723	4							FOOTREST, Part Of Frame Chassis, (NOT SERVICED)
-5									LABEL, Air Bag Warning
	04595748AA	1			29			*00	Removable - Dash
		1			27			*00	Removable - Dash
	04595749AA	1							Canada Only
	55350848AA	2							Sunvisor (English/French)
6									CAP
	0RC76DX9AA	1			27			*00	Visor, Windshield Surround Mounting, Right
	0RC77DX9AA	1			27			*00	Visor, Windshield Surround Mounting, Left

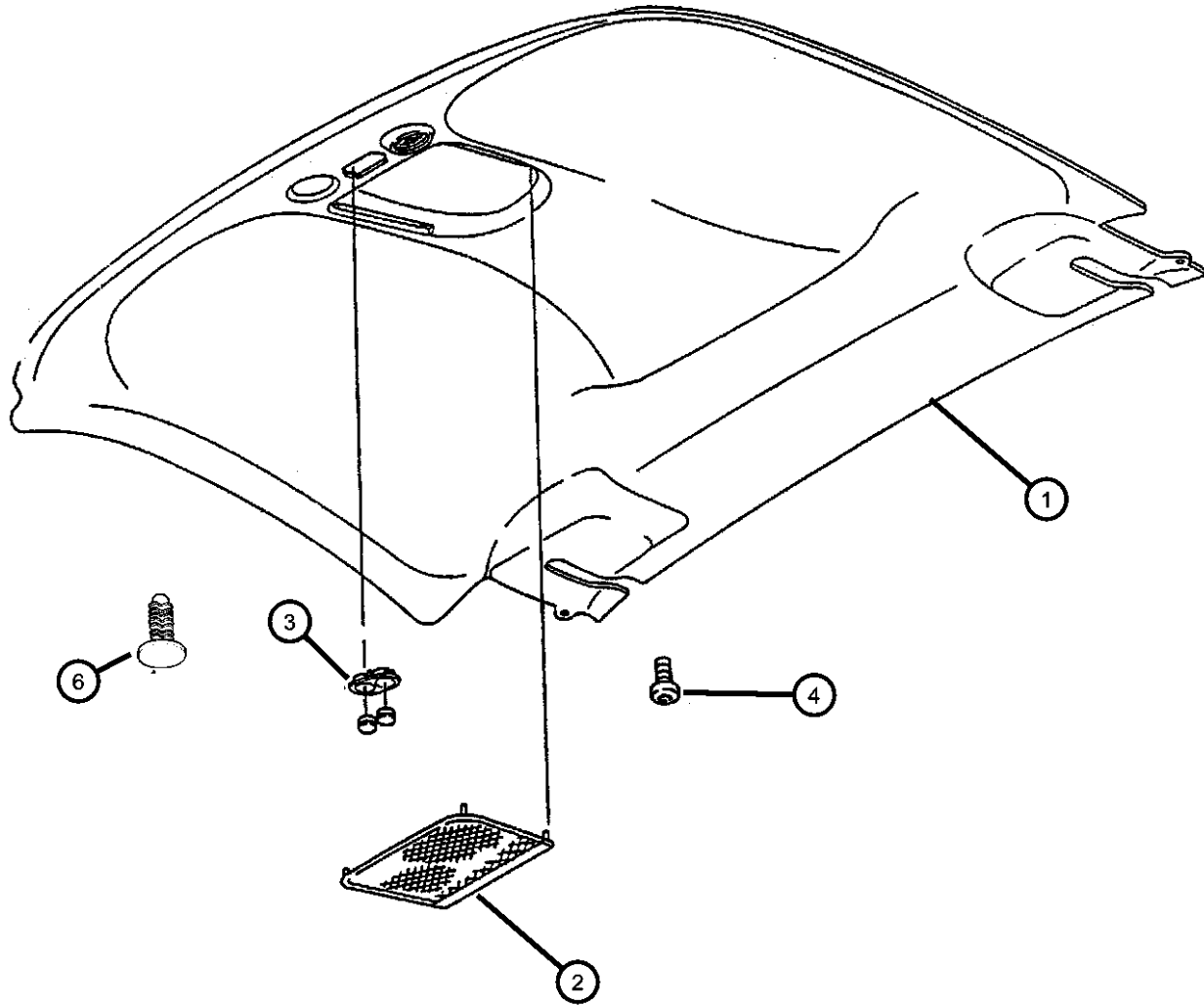
VIPER GTS COUPE,VIPER RT/10 ROADSTER (SR)

SERIES	LINE	BODY	ENGINE	TRANSMISSION
S = RT/10	D = DODGE	27 = 2-DR CONVERTIBLE	EWB = ENGINE - 8.0L V10	DEC = TRANSMISSION - 6-SPEED
S = GTS Coupe		29 = SPECIALTY COUPE	SFI	MANUAL
X = GTS/Lemans			EW0 = All 8.0L Gas	DBB = All Manual

AR = use ase required - = Non illustrated part

**Headliner Viper, Coupe
Figure ISR-120**

ITEM	PART NUMBER	QTY	LINE	SERIES	BODY	ENGINE	TRANS	TRIM	DESCRIPTION
1	0LC06DX9AB	1			29			*00	PANEL, Headliner, Includes Dome Lamp, Not Serviced Seperate
2	0PB58DX9	1			29			*00	NET, Cargo, Overhead Storage
3	0QE54DX9	1			29			*00	BEZEL KIT, HEADLINER
4	06032723	23							SCREW, Self Tapping, M4.2x1.69x19.05, Roof Attaching
-5	06031869	3			29				NUT, Push, .19, Headliner Attaching
6	0QK37SX9	6			29			*00	RETAINER, Headliner



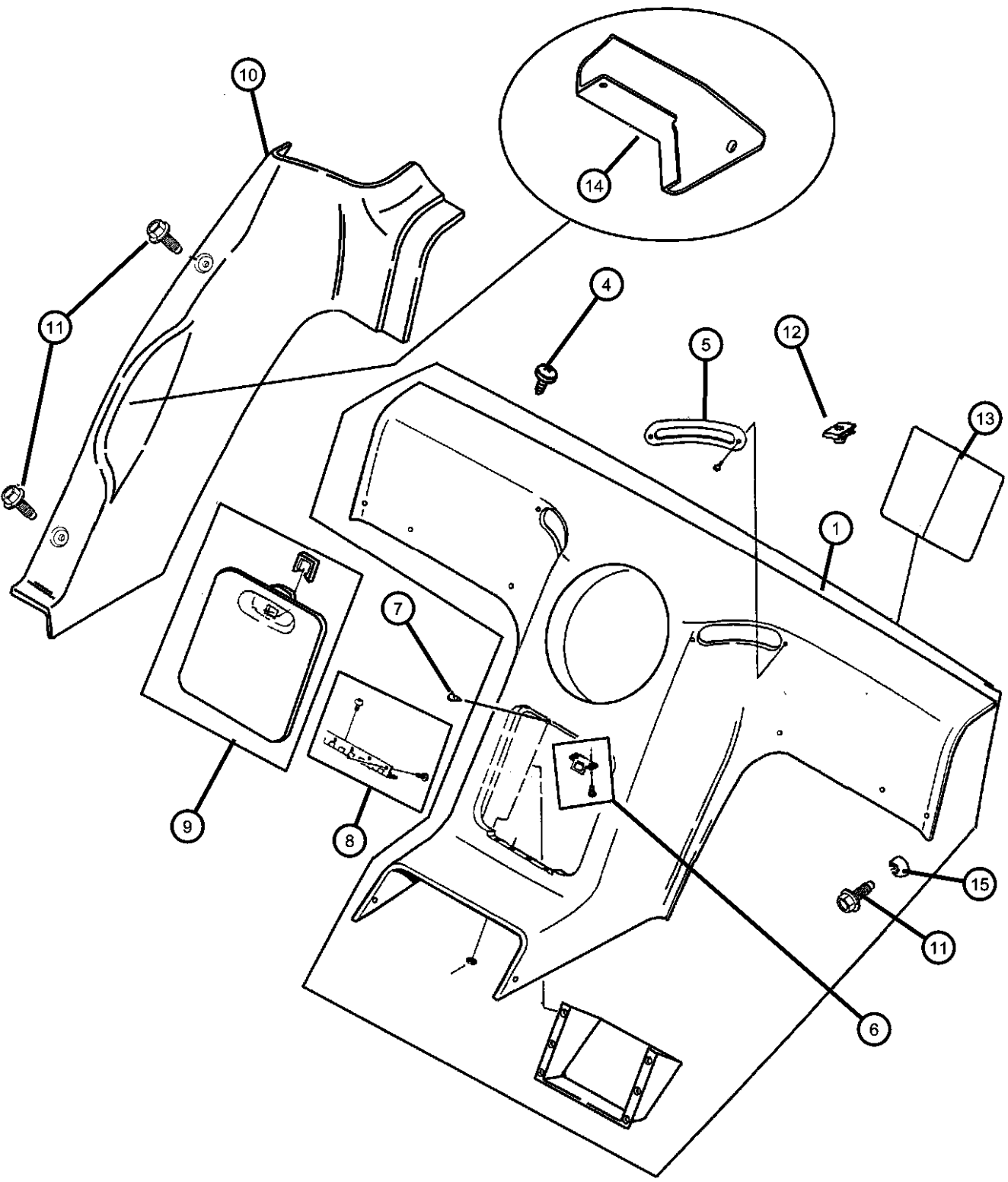
VIPER GTS COUPE,VIPER RT/10 ROADSTER (SR)

SERIES	LINE	BODY	ENGINE	TRANSMISSION
S = RT/10	D = DODGE	27 = 2-DR CONVERTIBLE	EWB = ENGINE - 8.0L V10	DEC = TRANSMISSION - 6-SPEED
S = GTS Coupe		29 = SPECIALTY COUPE	SFI	MANUAL
X = GTS/Lemans			EW0 = All 8.0L Gas	DBB = All Manual

AR = use ase required - = Non illustrated part

2000 SR

**Quarter And Rear Bulkhead Panels Viper, Convertible
Figure ISR-210**



ITEM	PART NUMBER	QTY	LINE	SERIES	BODY	ENGINE	TRANS	TRIM	DESCRIPTION
1	0LC171XBAD	1			29			*00	PANEL, Bulkhead Trim w/5 Point Restraint
	0LC171X7AE	1			29			*00	w/o 5 Point Restraint
	0QB891X7AC	1			27			*00	
-2									LATCH, Glovebox
	0P894DX9	1			27			*00	
		1			29			*00	
-3									BOLT, M6.3x22.80
	06502871	4			29			*00	
		4			27			*00	
4	06035085	4			27				SCREW, Tapping, .164-15x1
5									BEZEL, Seat Belt
	0HC76LX9	1			27			*00	Right
		1			29			*00	Right
	0HC81LX9	1			27			*00	Left
		1			29			*00	Left
6	04874868	1			29			*00	STRIKER, Glove Box Door Latch
7									BUMPER, Console Lid
	04763504	2			27			*00	
		2			29			*00	
8	04874869	1			29			*00	HINGE, Glovebox
9									DOOR, Rear Cargo
	0RE851X7AB	1			27			*00	
		1			29			*00	
10									PANEL, Quarter Trim
	0PS121X7AD	1			27			*00	Right
	0PS131X7AD	1			27			*00	Left
11	06505390AA	4							SCREW, Oval Head
12	06035451	5			27				NUT/SPRING, "U"1THD, For .164-15 Screw
13	06035451	5							PATCH, Floor Pan Rear Corner, (NOT REQUIRED)
14									COVER, Quarter Trim Opening
	0QV58DX9AB	1			27			*00	Right
		1			29			*00	Right
	0QV59DX9AB	1			27			*00	Left

VIPER GTS COUPE,VIPER RT/10 ROADSTER (SR)

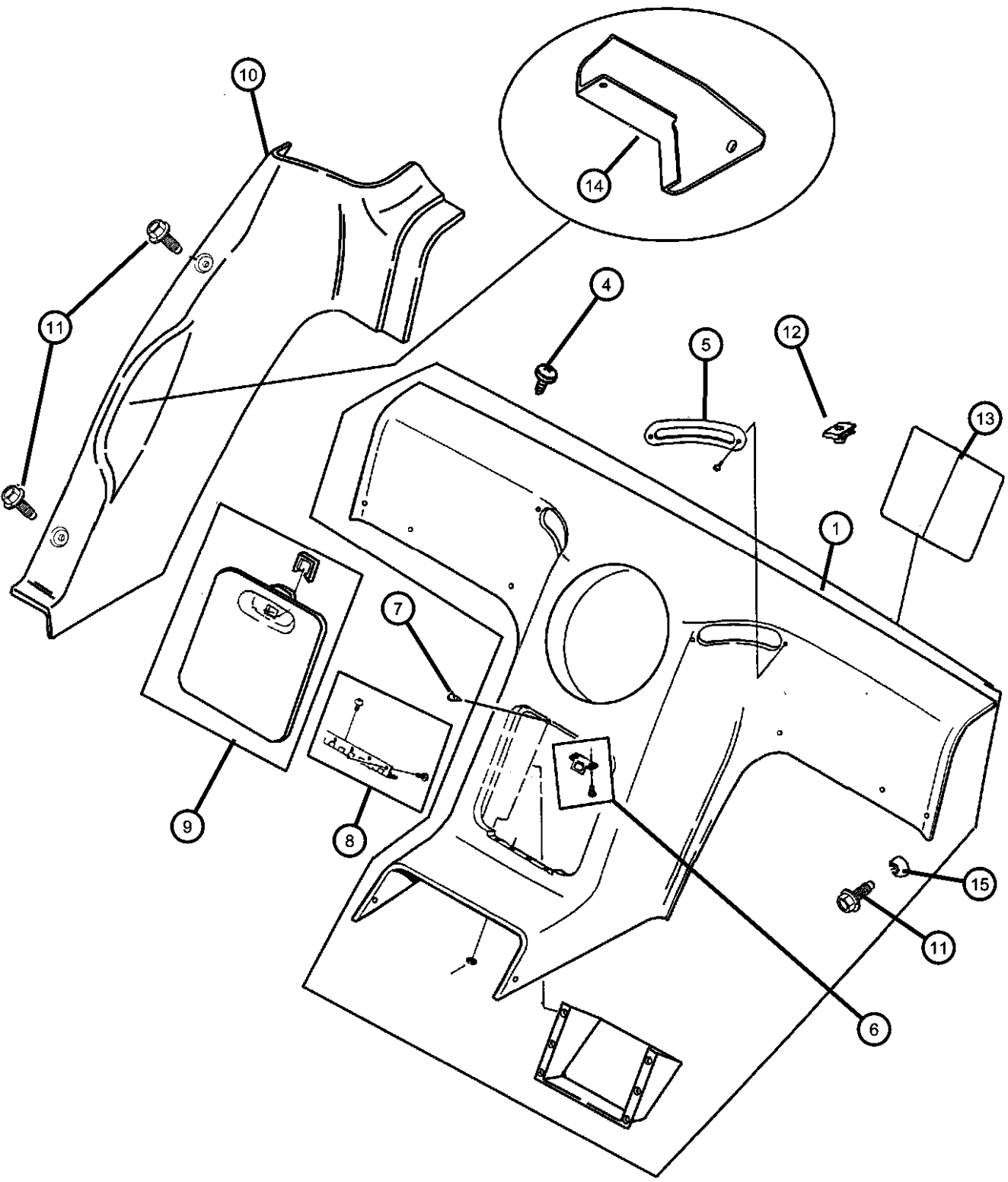
SERIES	LINE	BODY	ENGINE	TRANSMISSION
S = RT/10	D = DODGE	27 = 2-DR CONVERTIBLE	EWB = ENGINE - 8.0L V10	DEC = TRANSMISSION - 6-SPEED
S = GTS Coupe		29 = SPECIALTY COUPE	SFI	MANUAL
X = GTS/Lemans			EW0 = All 8.0L Gas	DBB = All Manual

AR = use ase required - = Non illustrated part

Quarter And Rear Bulkhead Panels Viper, Convertible
Figure ISR-210

ITEM	PART NUMBER	QTY	LINE	SERIES	BODY	ENGINE	TRANS	TRIM	DESCRIPTION
------	-------------	-----	------	--------	------	--------	-------	------	-------------

		1			29			*00	Left
15	55176291	4							BUMPER, Steel Insert, Rear Seat Protectors



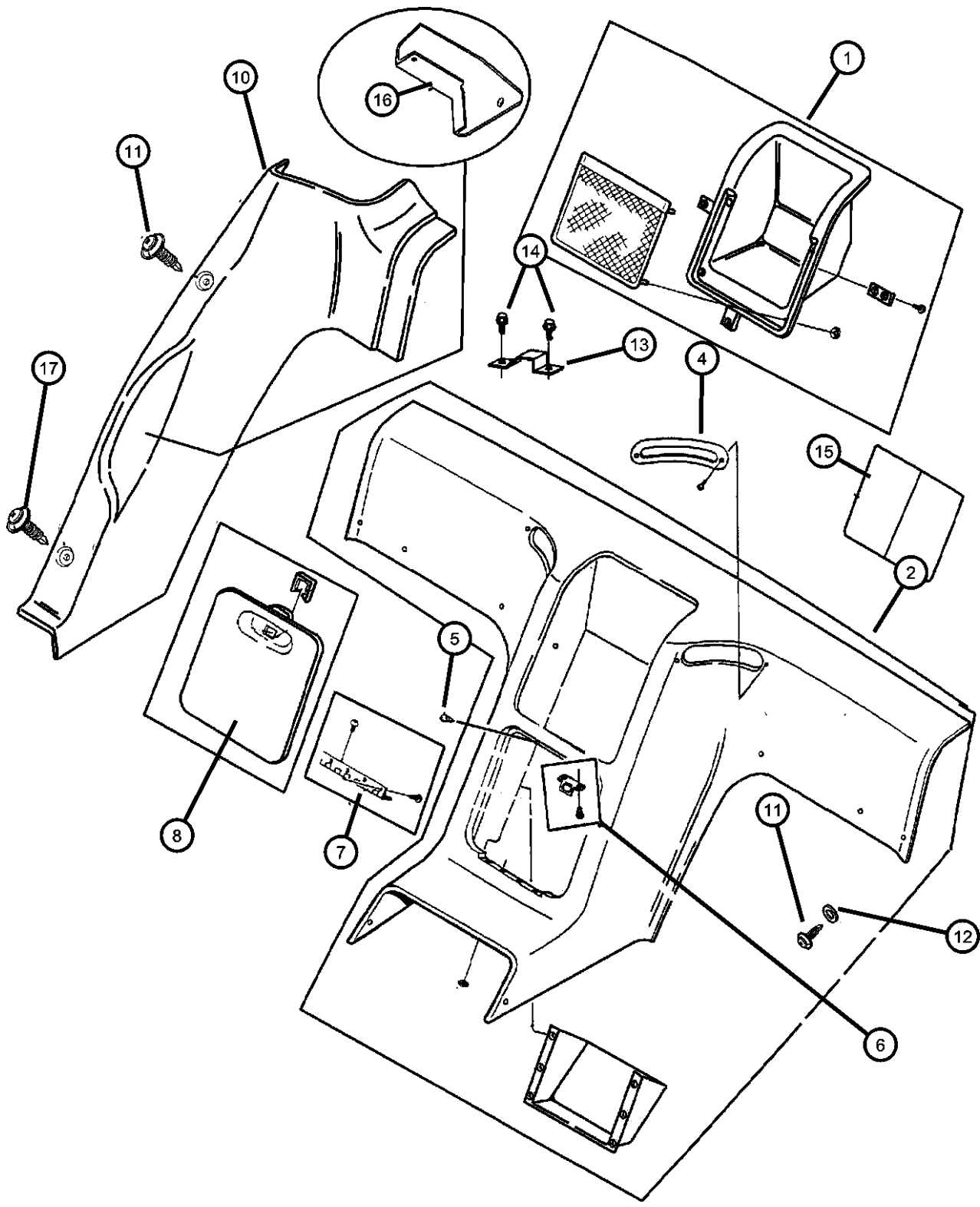
VIPER GTS COUPE,VIPER RT/10 ROADSTER (SR)

SERIES	LINE	BODY	ENGINE	TRANSMISSION
S = RT/10	D = DODGE	27 = 2-DR CONVERTIBLE	EWB = ENGINE - 8.0L V10	DEC = TRANSMISSION - 6-SPEED
S = GTS Coupe		29 = SPECIALTY COUPE	SFI	MANUAL
X = GTS/Lemans			EW0 = All 8.0L Gas	DBB = All Manual

AR = use ase required - = Non illustrated part

2000 SR

Quarter And Rear Bulkhead Panels Viper, Coupe
Figure ISR-215



ITEM	PART NUMBER	QTY	LINE	SERIES	BODY	ENGINE	TRANS	TRIM	DESCRIPTION
1	04874859	1			29			*00	BIN, Floor Console
2	0LC171XBAD	1			29			*00	PANEL, Bulkhead Trim
-3									BOLT, M6.3x22.80
	06502871	4			29			*00	Attaching, Bulkhead Trim Panel
		4			27			*00	Attaching, Bulkhead Trim Panel
4									BEZEL, Seat Belt
	0HC76LX9	1			27			*00	Right
		1			29			*00	Right
	0HC81LX9	1			27			*00	Left
		1			29			*00	Left
5									BUMPER, Console Lid
	04763504	2			27			*00	
		2			29			*00	
6	04874868	1			29			*00	STRIKER, Glove Box Door Latch
7	04874869	1			29			*00	HINGE, Glovebox
8									DOOR, Rear Cargo
	0RE851X7AB	1			27			*00	Non Locking (With Latch P894DX9)
		1			29			*00	Non Locking (With Latch P894DX9)
	0SB951X7AA	1			29			*00	Without Latch (P894DX9), Locking
-9									LATCH, Glovebox
	0P894DX9	1			27			*00	
		1			29			*00	
10									PANEL, Quarter
	0QL021XBAD	1			29			*00	w/5-Point Restraint, Right
	0QL021X7AE	1			29			*00	w/o 5-Point Restraint, Right
	0QL031XBAD	1			29			*00	w/5-Point Restraint, Left
	0QL031X7AE	1			29			*00	w/o 5-Point Restraint, Left
11									SCREW, Oval Head
	06505390AA	6			27				
		4			29				
12	55176291	4							BUMPER, Steel Insert, Rear Seat Protectors
13									BRACKET, Quarter Trim
	04848684	2			29				
	04854292AA	1			29				w/5-Point Restraint, Right

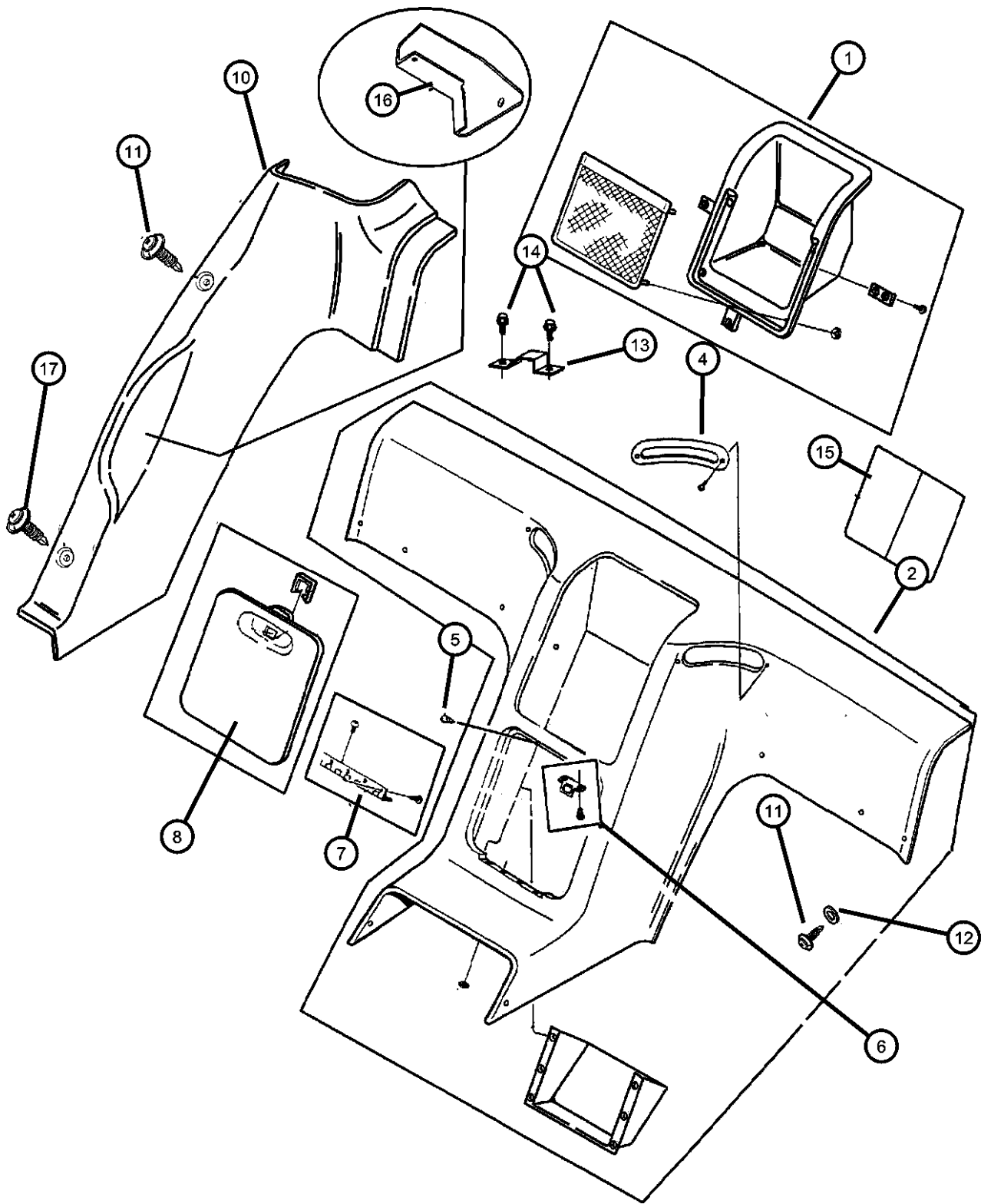
VIPER GTS COUPE,VIPER RT/10 ROADSTER (SR)

SERIES	LINE	BODY	ENGINE	TRANSMISSION
S = RT/10	D = DODGE	27 = 2-DR CONVERTIBLE	EWB = ENGINE - 8.0L V10	DEC = TRANSMISSION - 6-SPEED
S = GTS Coupe		29 = SPECIALTY COUPE	SFI	MANUAL
X = GTS/Lemans			EW0 = All 8.0L Gas	DBB = All Manual

AR = use ase required - = Non illustrated part

2000 SR

Quarter And Rear Bulkhead Panels Viper, Coupe
Figure ISR-215



ITEM	PART NUMBER	QTY	LINE	SERIES	BODY	ENGINE	TRANS	TRIM	DESCRIPTION
	04854293AA	1			29				w/5-Point Restraint, Left
14	06034384	4			29				SCREW, Pan Head, .437-20x1.15
15	04848863AB	1							PATCH, Floor Pan Rear Corner, Child Teather Anchor
16									COVER, Quarter Trim Opening
	0QV58DX9AB	1			27			*00	Right
	0QV59DX9AB	1			27			*00	Left
17	06505389AA	2							SCREW, Oval Head

VIPER GTS COUPE,VIPER RT/10 ROADSTER (SR)

SERIES	LINE	BODY	ENGINE	TRANSMISSION
S = RT/10	D = DODGE	27 = 2-DR CONVERTIBLE	EWB = ENGINE - 8.0L V10	DEC = TRANSMISSION - 6-SPEED
S = GTS Coupe		29 = SPECIALTY COUPE	SFI	MANUAL
X = GTS/Lemans			EW0 = All 8.0L Gas	DBB = All Manual

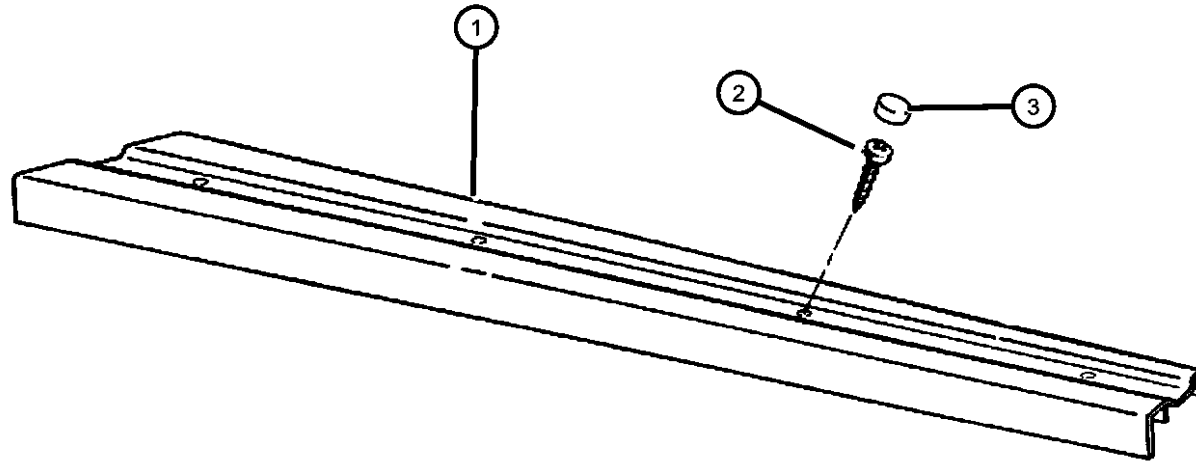
AR = use ase required - = Non illustrated part

2000 SR

Door Sill Scuff Plate
Figure ISR-220

ISR-220A

ITEM	PART NUMBER	QTY	LINE	SERIES	BODY	ENGINE	TRANS	TRIM	DESCRIPTION
1	0KS20DX9AC	1						*00	SILL COVER, Interior Right
	0KS21DX9AC	1						*00	Left
2	00154751	8							SCREW, Tapping, .164-18x1, Sill Cover Attaching
3	04848881AA	8							PLUG, Body, .75 Diameter



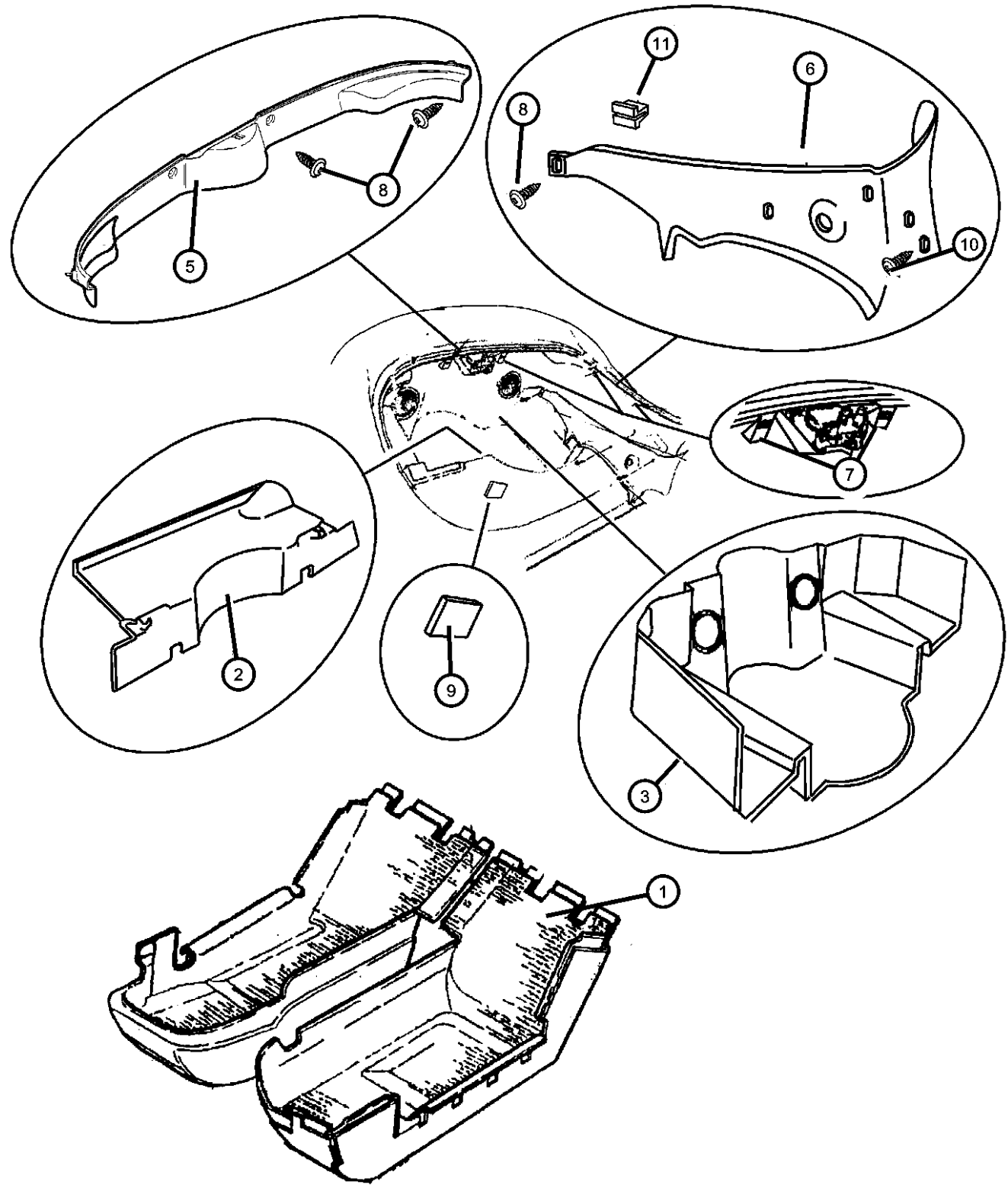
VIPER GTS COUPE,VIPER RT/10 ROADSTER (SR)

SERIES	LINE	BODY	ENGINE	TRANSMISSION
S = RT/10	D = DODGE	27 = 2-DR CONVERTIBLE	EWB = ENGINE - 8.0L V10	DEC = TRANSMISSION - 6-SPEED
S = GTS Coupe		29 = SPECIALTY COUPE	SFI	MANUAL
X = GTS/Lemans			EW0 = All 8.0L Gas	DBB = All Manual

AR = use ase required - = Non illustrated part

2000 SR

**Carpet, Front And Rear
Figure ISR-320**



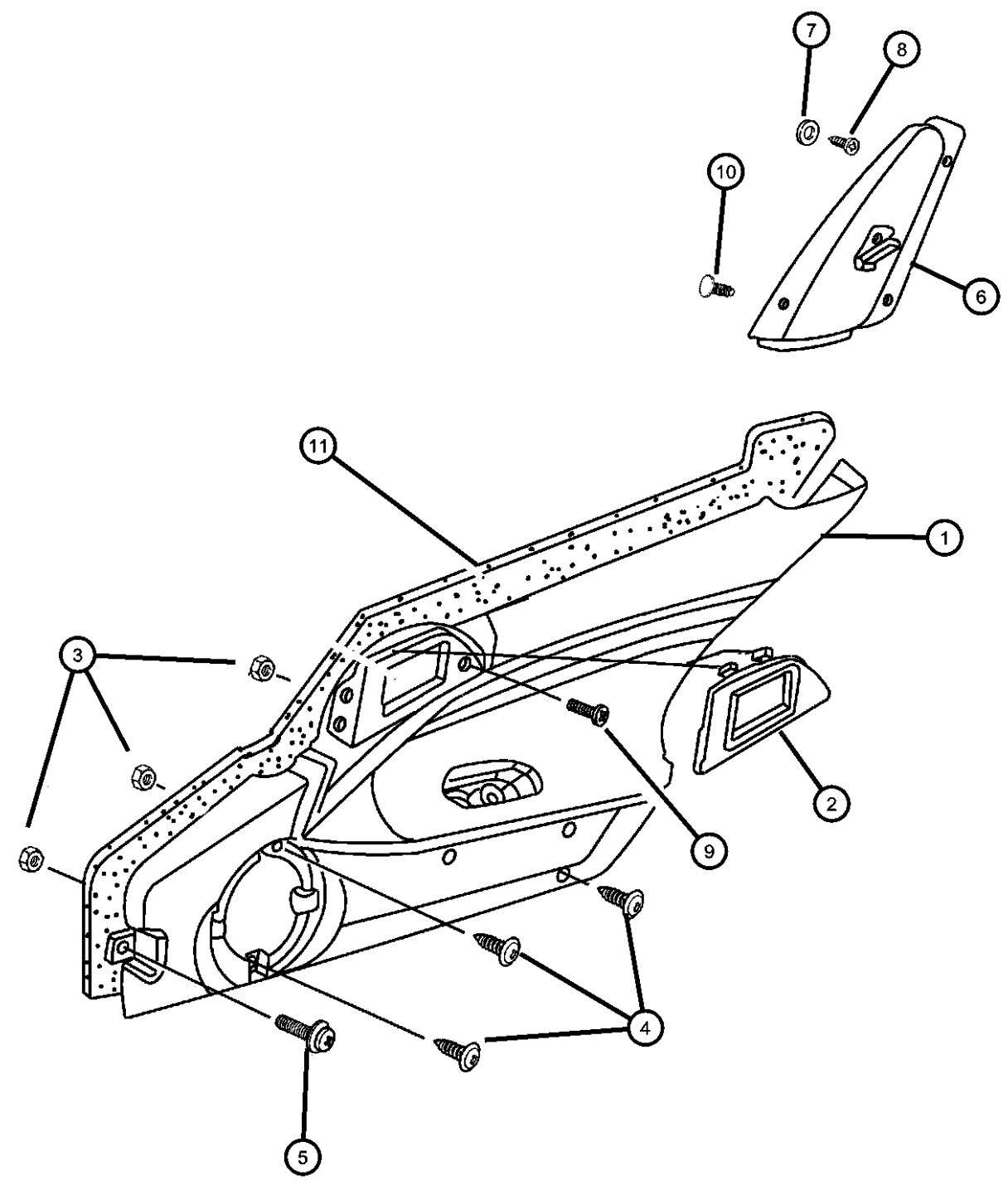
ITEM	PART NUMBER	QTY	LINE	SERIES	BODY	ENGINE	TRANS	TRIM	DESCRIPTION
1	0QD06DX9AF	1						*00	CARPET, Front Floor w/o 5-Point Restraint (Black), Right
	0QD06DX9AG	1						*00	w/5-Point Restraint (Black), Right
	0QD06WU-CAH	1						*00	w/o 5-Point Restraint (Cognac), Right
	0QD07DX9AC	1			27			*00	w/o 5-Point Restraint (Black), Left
	0QD07DX9AE	1			29			*00	w/o 5-Point Restraint (Black), Left
	0QD07DX9AF	1			29			*00	w/5-Point Restraint (Black), Left
	0QD07WUCAG	1			27			*00	Cognac, Left
2	0LC11DX9AB	1			29			*00	CARPET, Cargo Side TrimUpper
3	0LC12DX9AB	1			29			*00	CARPET, Luggage Compartment w/o Radio, Lower
	0SZ28DX9AA	1			29			*00	w/Radio and Competition Group, Lower
-4	06505392AA	2			29				WASHER, Rubber Mount
5	0LC07BX7AD	1			29			*00	PANEL, Cargo Door Header TrimRear
6	0QK42BX7AB	1			29			*00	PANEL, Cargo Door Header Trim Right
	0QK43BX7AB	1			29			*00	Left
7	06031869	10			29				NUT, Push, .19
8	06031869	10							SCREW, (.190-16x1.00), (NOT SERVICED)
9	04709275	2							PAD, Bulkhead Spacer
10	06505390AA	4							SCREW, Oval Head
11	06031869	3			29				NUT, Push, .19

VIPER GTS COUPE,VIPER RT/10 ROADSTER (SR)

SERIES	LINE	BODY	ENGINE	TRANSMISSION
S = RT/10	D = DODGE	27 = 2-DR CONVERTIBLE	EWB = ENGINE - 8.0L V10	DEC = TRANSMISSION - 6-SPEED
S = GTS Coupe		29 = SPECIALTY COUPE	SFI	MANUAL
X = GTS/Lemans			EW0 = All 8.0L Gas	DBB = All Manual

AR = use ase required - = Non illustrated part

Door Panels
Figure ISR-410



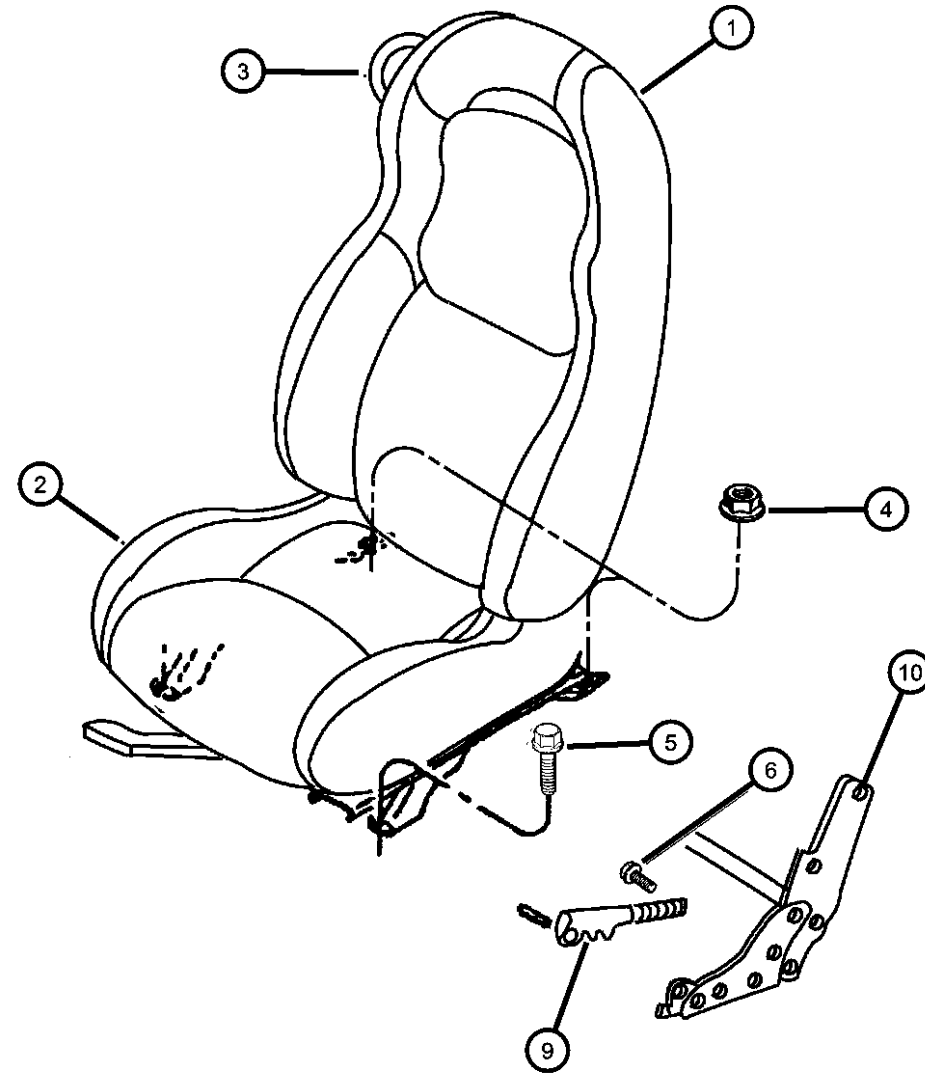
ITEM	PART NUMBER	QTY	LINE	SERIES	BODY	ENGINE	TRANS	TRIM	DESCRIPTION
NOTE - RA8 = RADIO - DELETE									
1	0QS021UCAM	1						*O0	PANEL, Door Trim Front Cognac, With Full Audio System, Right
	0QS021X9AM	1						*O0	Black, With Full Audio System, Right
	0QS021X7AN	1			29			*O0	Black, With [RA8], Right
	0QS031UCAM	1						*O0	Cognac, With Full Audio System, Left
	0QS031X9AM	1						*O0	Black, With Full Audio System, Left
	0QS031X7AN	1			29			*O0	Black, With [RA8], Left
2	0QS031X7AN	1							BEZEL, Remote Control, (NOT REQUIRED),
3	06031869	3			29				NUT, Push, .19
4	06031869	3							SCREW, Self Tapping, M4.2x1.69x19.05, [.190-16x1.00], (NOT SERVICED)
5	06031869	3							SCREW, [.164-18x.500], (NOT SERVICED)
6	0ME68JX8AB	1			29			*O0	COVER, B Pillar Trim Panel Right, Inner
	0ME69JX8AB	1			29			*O0	Left, Inner
	0QB92JX8	1			27			*O0	Right, Inner
	0QB93JX8	1			27			*O0	Left, Inner
7	55176291	4							BUMPER, Steel Insert
8	06101973	6			29				SCREW, Pan Head, M5X0.80X8.00
9	06101973	6							SCREW, [.190-16x1.500], (NOT SERVICED)
10	04658887	AR							PUSH PIN, Front Door Glass Run With Weatherstrip
11	04763796AD	1							WATERSHIELD, Front Door Right
	04763797AD	1							Left
-12	06503709	1						*O0	PIN, Door Panel, Push In

VIPER GTS COUPE,VIPER RT/10 ROADSTER (SR)

SERIES	LINE	BODY	ENGINE	TRANSMISSION
S = RT/10	D = DODGE	27 = 2-DR CONVERTIBLE	EWB = ENGINE - 8.0L V10	DEC = TRANSMISSION - 6-SPEED
S = GTS Coupe		29 = SPECIALTY COUPE	SFI	MANUAL
X = GTS/Lemans			EW0 = All 8.0L Gas	DBB = All Manual

AR = use ase required - = Non illustrated part

Seat, Front
Figure ISR-510



ITEM	PART NUMBER	QTY	LINE	SERIES	BODY	ENGINE	TRANS	TRIM	DESCRIPTION
1									SEAT BACK, Front
	0SN601X9AA	1						*CL	Right
	0SN611X9AA	1						*CL	Left
	0SN781UCAA	1						*ML	Right
	0SN791UCAA	1						*ML	Left
2									CUSHION, Front Seat
	0SN591X9AA	1						*CL	
	0SN771UCAA	1						*ML	
3	0QE631X9	1						*CL	GUIDE, Seat Belt
4	06504572	4							NUT AND WASHER, Hex Nut-Coned Washer, M8 x 1.25, Rear Seat To Floor Pan Attaching
5	06503354	4							SCREW AND WASHER, Hex Head, M8x1.25x25, Seat Track To Floor Riser
6	04773266	1						*CL	PIN, Actuator Front
-7	05013600AA	1						*CL	TRACK, Seat Adjuster
-8	04874889	1						*CL	BULB, Lumbar Support
9	05013601AA	1						*CL	WIRE, Seat Adjuster Manual
10	05013601AA	1							HINGE, Seat, (NOT REQUIRED)

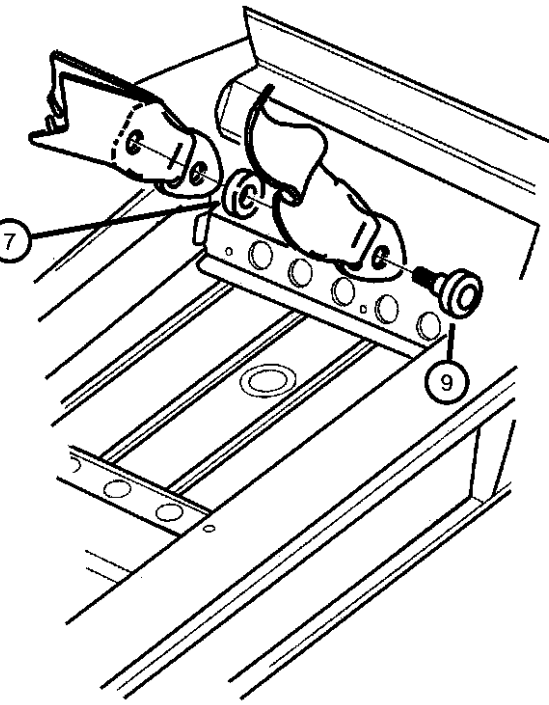
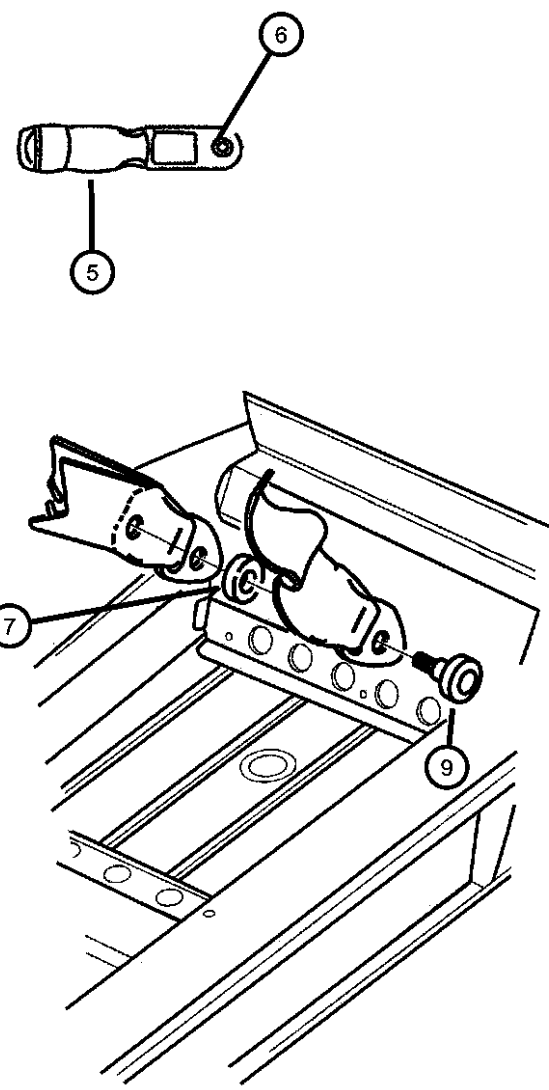
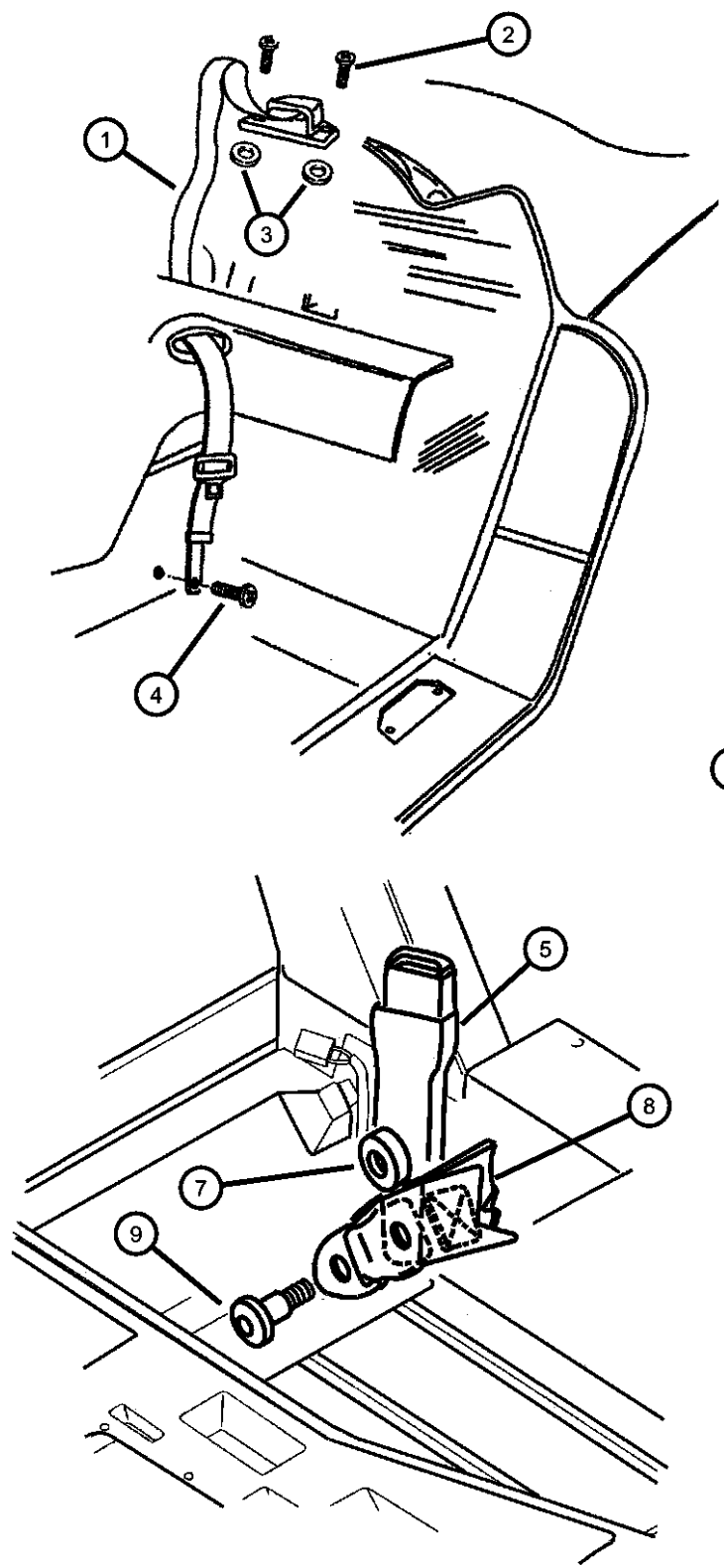
VIPER GTS COUPE,VIPER RT/10 ROADSTER (SR)

SERIES	LINE	BODY	ENGINE	TRANSMISSION
S = RT/10	D = DODGE	27 = 2-DR CONVERTIBLE	EWB = ENGINE - 8.0L V10	DEC = TRANSMISSION - 6-SPEED
S = GTS Coupe		29 = SPECIALTY COUPE	SFI	MANUAL
X = GTS/Lemans			EW0 = All 8.0L Gas	DBB = All Manual

AR = use ase required - = Non illustrated part

2000 SR

Belts - Front Seat-Outer
Figure ISR-710



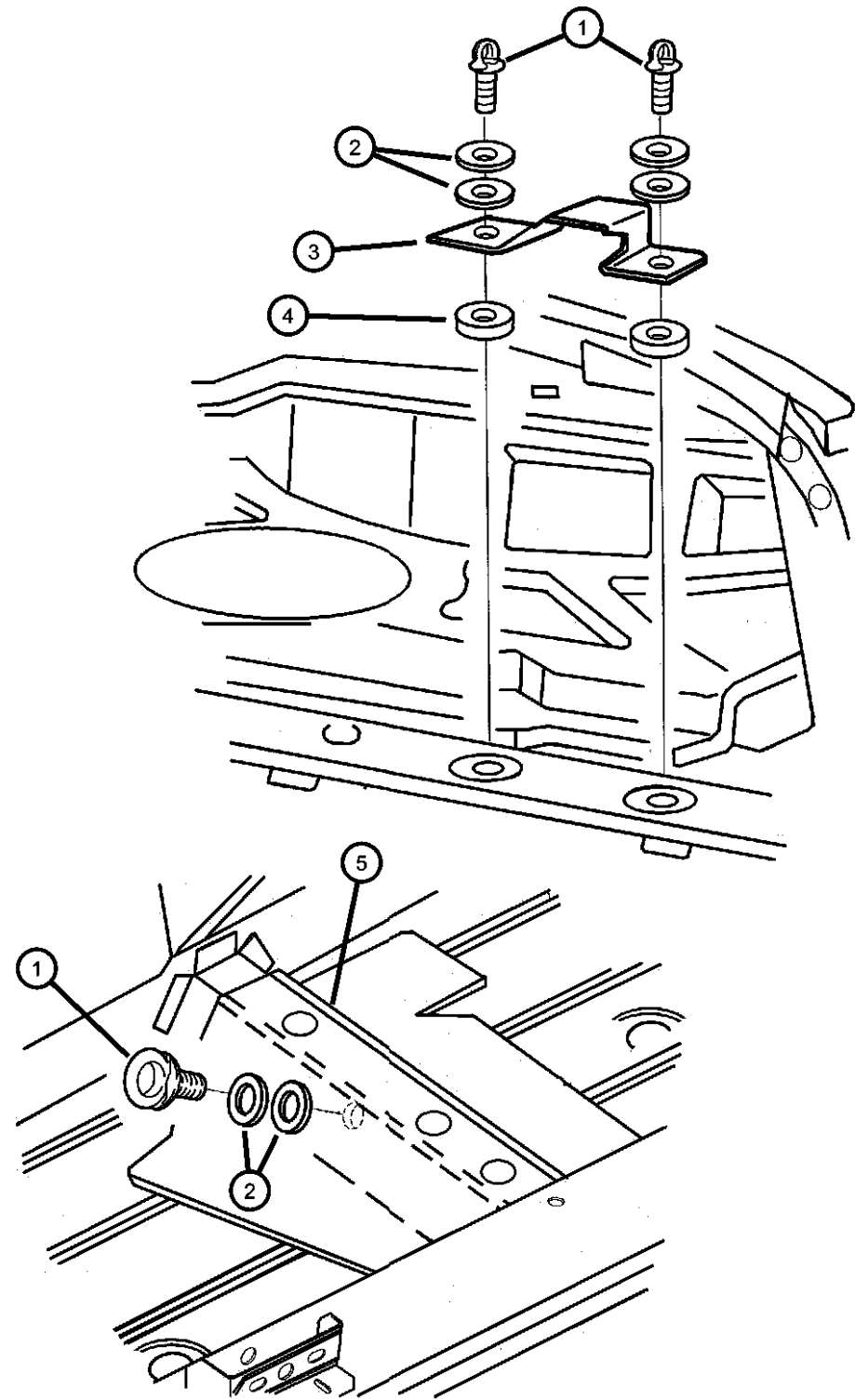
ITEM	PART NUMBER	QTY	LINE	SERIES	BODY	ENGINE	TRANS	TRIM	DESCRIPTION
1	0MB86SX9	2						*00	SEAT BELT, Front Domestic and Canada
		2						*00	Mexico
	0PD74RX9	2			29			*00	Export
2	06034383	4							SCREW, Pan Head, .437-20x1.5
3	04708494	4							SPACER, Seat Belt Retainer
4	06034457	2							SCREW, Pan Head, .437-20x1.375
5									SEAT BELT, Buckle Half
	04848718	1							Right
	04848719	1							Left
6	06034389	1							SCREW, Pan Head Shoulder, .437-20x1.87, Buckle Assy Attaching
7	06036185AA	4			29				SPACER, Lap Belt Anchor
8									SEAT BELT, Front
	04854438AA	1			29				5-Point Seat Belt Harness, Right
	04854439AA	1			29				5-Point Seat Belt Harness, Left
9	06034459	4			29				SCREW, Pan Head, .437-20x1.875, Lap Belt Anchor
-10	05260606	1							EXTENDER, Seat Belt

VIPER GTS COUPE,VIPER RT/10 ROADSTER (SR)

SERIES	LINE	BODY	ENGINE	TRANSMISSION
S = RT/10	D = DODGE	27 = 2-DR CONVERTIBLE	EWB = ENGINE - 8.0L V10	DEC = TRANSMISSION - 6-SPEED
S = GTS Coupe		29 = SPECIALTY COUPE	SFI	MANUAL
X = GTS/Lemans			EW0 = All 8.0L Gas	DBB = All Manual

AR = use ase required - = Non illustrated part

Belts - Front Seat (5-Point Restraint - Competition Group)
Figure ISR-720



ITEM	PART NUMBER	QTY	LINE	SERIES	BODY	ENGINE	TRANS	TRIM	DESCRIPTION
1	06036263AA	4			29				BOLT, Eye
2	06036183AA	6			29				WASHER, Flat Top
	06036184AA	6			29				Bottom
3	04854292AA	1			29				BRACKET, Quarter Trim Right
	04854293AA	1			29				Left
4	04708494	4							SPACER, Seat Belt Retainer
5	04708494	4							FRAME, Reference Only, (NOT SERVICED)

VIPER GTS COUPE,VIPER RT/10 ROADSTER (SR)

SERIES	LINE	BODY	ENGINE	TRANSMISSION
S = RT/10	D = DODGE	27 = 2-DR CONVERTIBLE	EWB = ENGINE - 8.0L V10	DEC = TRANSMISSION - 6-SPEED
S = GTS Coupe		29 = SPECIALTY COUPE	SFI	MANUAL
X = GTS/Lemans			EW0 = All 8.0L Gas	DBB = All Manual

AR = use ase required - = Non illustrated part

Group - SSR

Body Sheet Metal Except Doors

Group - SSR Body Sheet Metal Except Doors

Illustration Title

Group-Fig. No.

Floor Pan

Floor Pan Fig. SSR - 210

Fender

Fender Shield..... Fig. SSR - 410

Hood & Hood Release

Hood Release And Hinge..... Fig. SSR - 510

Cowl and Dash Panel

Cowl And Dash Panel..... Fig. SSR - 610

Glass, Windshield, Backlite, Mirror

Glass Windshield, Frame And Mirror (Convertible)..... Fig. SSR - 710

Glass Windshield Frame And Mirror Viper Coupe..... Fig. SSR - 715

Glass, Backlite Hardtop..... Fig. SSR - 720

Quarter Panel

Rear Quarter Panel Fig. SSR - 910

Splash Shields

Loose Panel Fig. SSR - 1010

Roof - Hard & Folding Top

Sport Cap Fig. SSR - 1110

Toupette Assembly-top Fig. SSR - 1120

Hard Top Convertible Fig. SSR - 1125

Roof Panel Viper Coupe Fig. SSR - 1130

Deck Lid

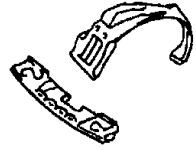
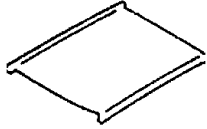
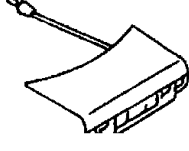
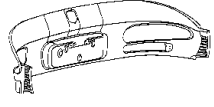
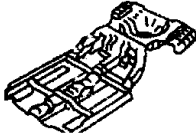
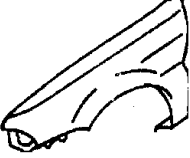
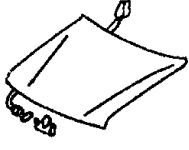
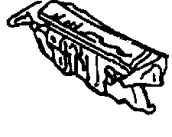

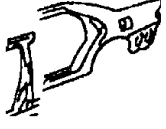
Deck Lid..... Fig. SSR - 1310

Deck Lid Weatherstrip And Latch Fig. SSR - 1320

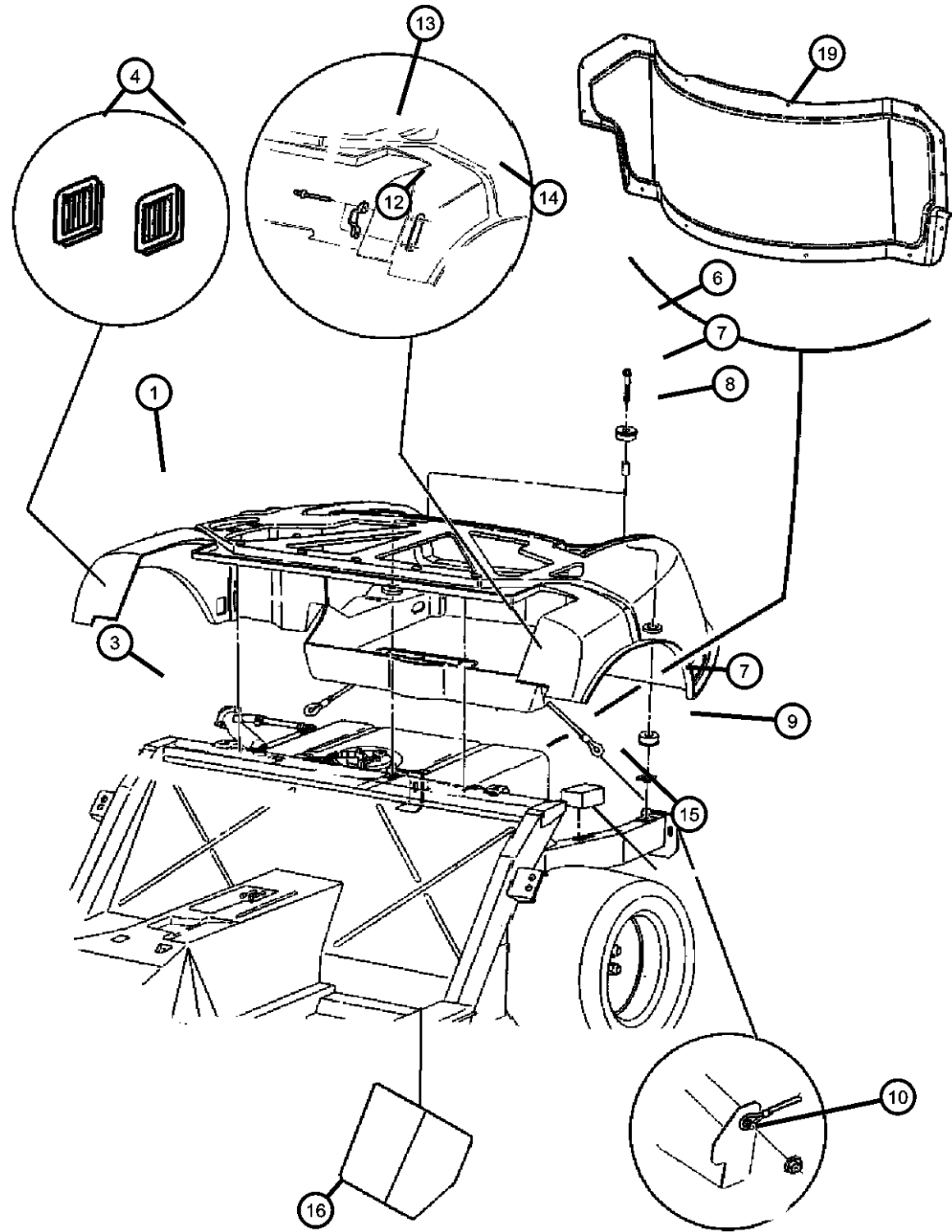
Fuel Filler Door Fig. SSR - 1330

Rear Shelf Panel

Rear Shelf Panel Viper, Coupe..... Fig. SSR - 1410

<p>SSR-1000 Splash Shields</p> 	<p>SSR-1100 Roof - Hard & Folding Top</p> 	<p>SSR-1300 Deck Lid</p> 	<p>SSR-1400 Rear Shelf Panel</p> 
<p>SSR-200 Floor Pan</p> 	<p>SSR-400 Fender</p> 	<p>SSR-500 Hood & Hood Release</p> 	<p>SSR-600 Cowl and Dash Panel</p> 
<p>SSR-700 Glass, Windshield, Backlite, Mirror</p> 	<p>SSR-900 Quarter Panel</p> 		

**Floor Pan
Figure SSR-210**



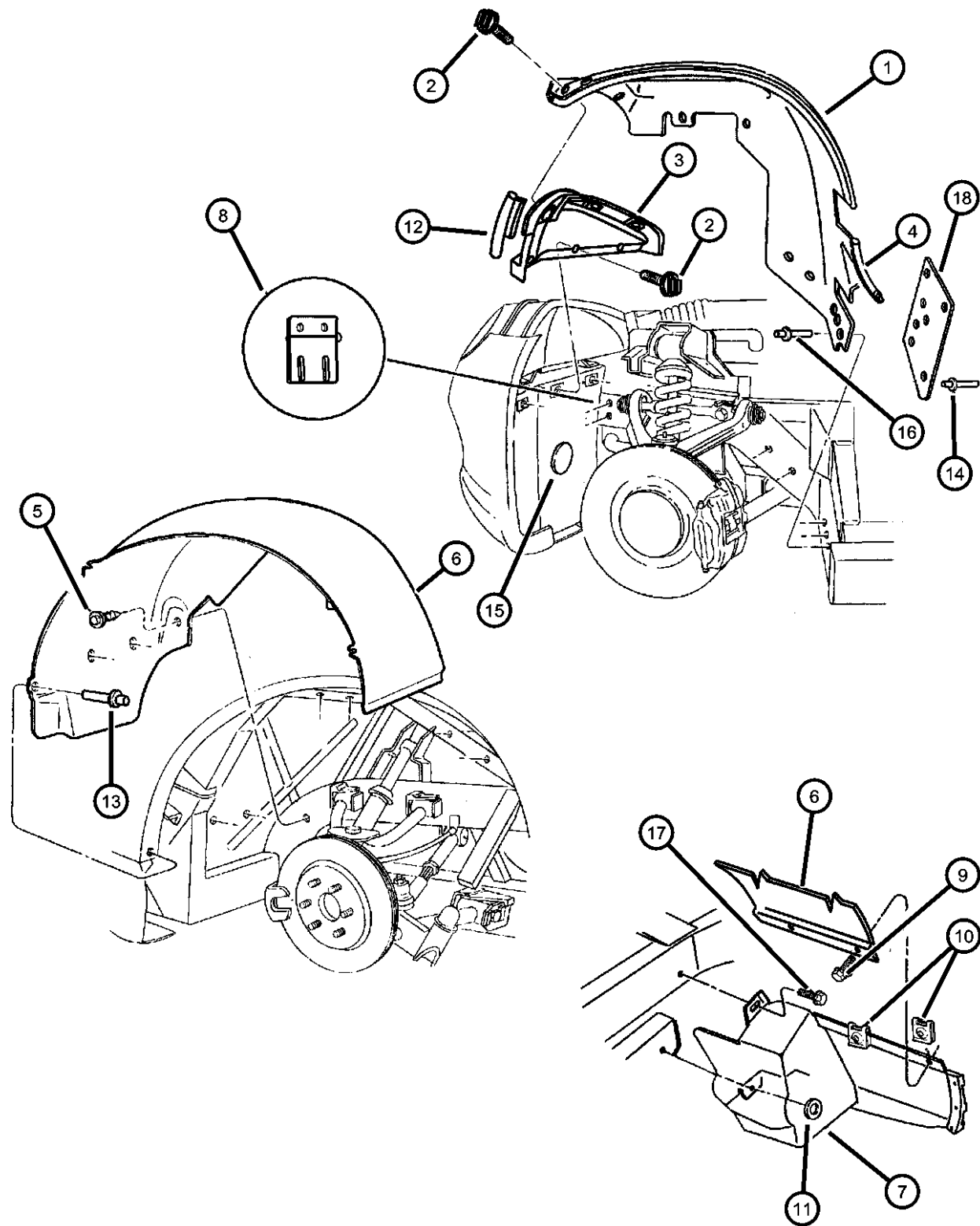
ITEM	PART NUMBER	QTY	LINE	SERIES	BODY	ENGINE	TRANS	TRIM	DESCRIPTION
1									PAN, Floor
	04848187AB	1			27				
	04848681AB	1			29				
-2	04865434AA	1			29				PAN, Trunk
3	04865434AA	1							FRAME, (Reference Only) See Group 13, (NOT SERVICED)
4	04848591	4			29				EXHAUSTER, Bodyside Aperture
-5	04848818AB	2			29				COVER, Trunk Exhauster
6	06502688	2							SCREW AND WASHER, Hex Head, M10x1.5x70
7	04642900	4							ISOLATOR, Rear Floor Pan To Frame
8									SPACER, Floor Pan Isolator
	04642902	2			27				
	04848189	2			29				
9									SHIM, Floor Pan Isolator
	04643353	AR							
	04848868AA	AR			27				One Inch
10	06503675	2							SCREW AND WASHER, Hex Head, M10x1.5x40
-11	04848419	4							PLUG, Floor Pan
12	55013666	2			27				FOOTMAN LOOP, Hold Down
13	06034646	4			27				RIVET, .197 Grip-.187-.375
14	04708256	2			27				PLATE, Footman Loop
15	04763477	2			27				CUSHION, Trunk Pan
16									PATCH, Floor Pan Rear Corner
	04848864AA	1							Right
	04848865AA	1							Left
-17	04708168	1			27				STRAP, Cargo Tie Down
-18	04848103	1			29				GASKET, Fuel Pump Cover Plate
19									PANEL, Fuel Tank Close Out
	04848582AB	1			27				
	05245558	1			29				

VIPER GTS COUPE,VIPER RT/10 ROADSTER (SR)

SERIES	LINE	BODY	ENGINE	TRANSMISSION
S = RT/10	D = DODGE	27 = 2-DR CONVERTIBLE	EWB = ENGINE - 8.0L V10	DEC = TRANSMISSION - 6-SPEED
S = GTS Coupe		29 = SPECIALTY COUPE	SFI	MANUAL
X = GTS/Lemans			EW0 = All 8.0L Gas	DBB = All Manual

AR = use ase required - = Non illustrated part

Fender Shield
Figure SSR-410



ITEM	PART NUMBER	QTY	LINE	SERIES	BODY	ENGINE	TRANS	TRIM	DESCRIPTION
1	04763824AB	1							SHIELD, Splash Right
	04763825AD	1							Left
2	04708180	12							SCREW, Splash Shield
3	04643504AB	1							SHIELD, Splash Right
	04643505AB	1							Left
4	04709030AB	2							WEATHERSTRIP, Front Splash to Hood
5	04709030AB	2							PUSH PIN, (6.3x22.8), (NOT SERVICED)
6	04763348AB	1							SHIELD, Splash Right
	04763349AB	1							Left
7	04709037	1							SHIELD, Splash Rear, Lower, Left
	04763092	1							Rear, Lower, Right
8	04709356	1							BRACKET, Bulkhead Right, Left
	04709357	1							, Left
9	00181063	3							SCREW AND WASHER, .25-20x.75
10	06029074	1							U-NUT, .25-20
11	06100877	3							WASHER, Flat, M6
12	04709031AB	2							WEATHERSTRIP, Front Splash to Hood
13	06034578	2			29				RIVET, .25 Grip.06-.25
14	06500911	4							RIVET, M6.25x28
15	04708057	2							PLUG, Trunk Seal
16	04708057	2							RIVET, (.250x.492), (NOT SERVICED)
17	04708057	2							SCREW, (.250-14x.875), (NOT SERVICED)
18	04708235	1							SHIELD, Wheelhouse

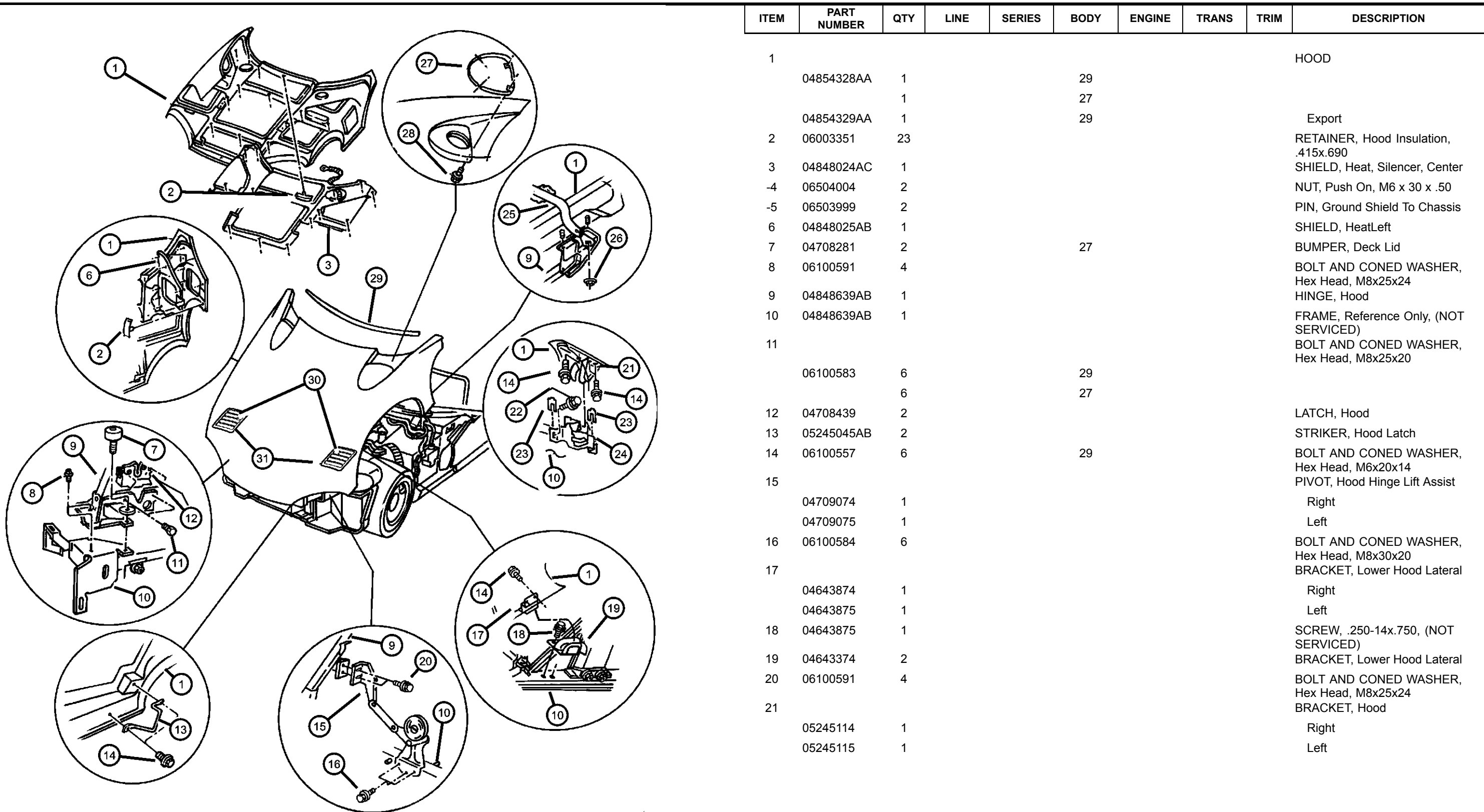
VIPER GTS COUPE,VIPER RT/10 ROADSTER (SR)

SERIES	LINE	BODY	ENGINE	TRANSMISSION
S = RT/10	D = DODGE	27 = 2-DR CONVERTIBLE	EWB = ENGINE - 8.0L V10	DEC = TRANSMISSION - 6-SPEED
S = GTS Coupe		29 = SPECIALTY COUPE	SFI	MANUAL
X = GTS/Lemans			EW0 = All 8.0L Gas	DBB = All Manual

AR = use ase required - = Non illustrated part

2000 SR

**Hood Release And Hinge
Figure SSR-510**

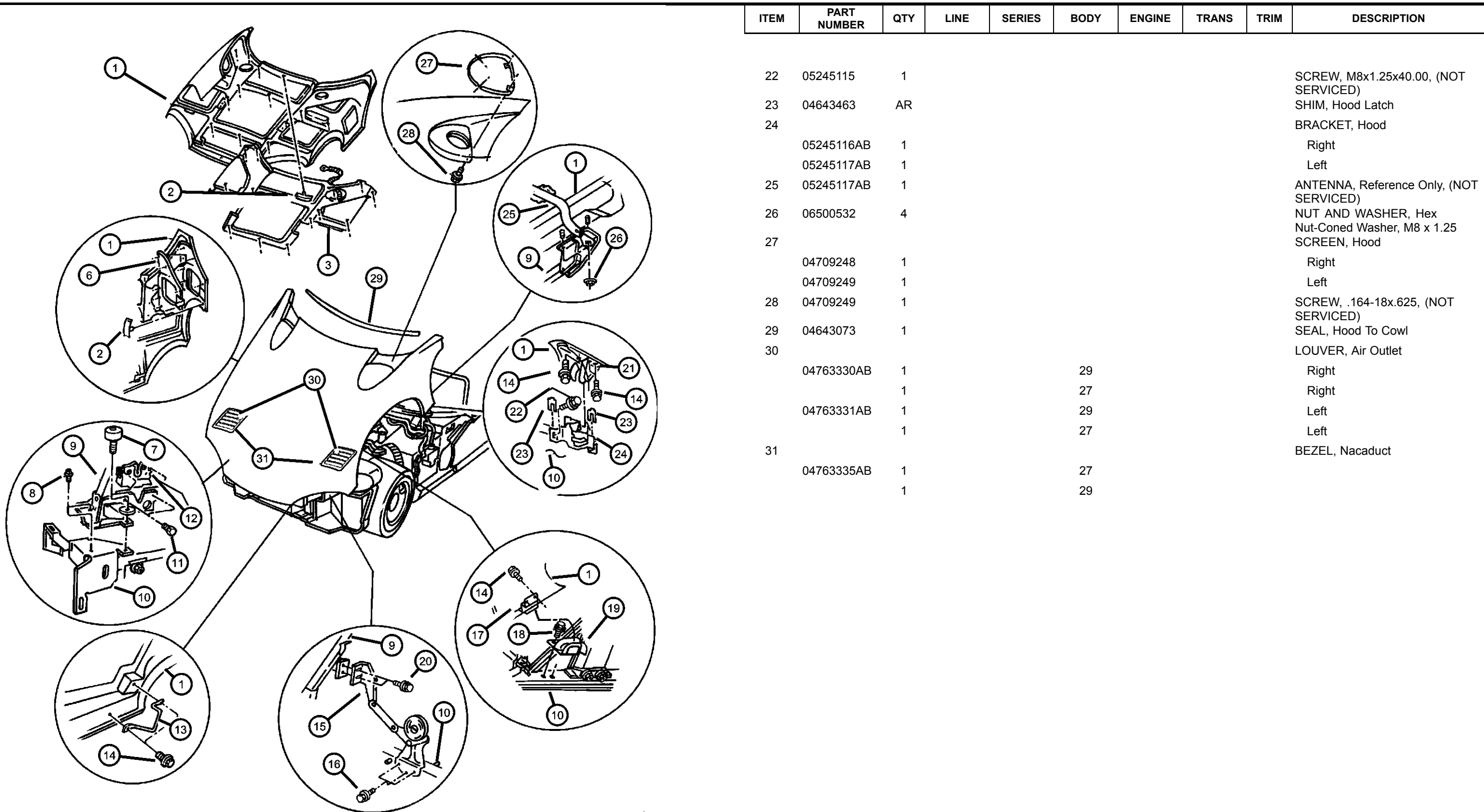


ITEM	PART NUMBER	QTY	LINE	SERIES	BODY	ENGINE	TRANS	TRIM	DESCRIPTION
1									HOOD
	04854328AA	1			29				
		1			27				
	04854329AA	1			29				Export
2	06003351	23							RETAINER, Hood Insulation, .415x.690
3	04848024AC	1							SHIELD, Heat, Silencer, Center
-4	06504004	2							NUT, Push On, M6 x 30 x .50
-5	06503999	2							PIN, Ground Shield To Chassis
6	04848025AB	1							SHIELD, HeatLeft
7	04708281	2			27				BUMPER, Deck Lid
8	06100591	4							BOLT AND CONED WASHER, Hex Head, M8x25x24
9	04848639AB	1							HINGE, Hood
10	04848639AB	1							FRAME, Reference Only, (NOT SERVICED)
11									BOLT AND CONED WASHER, Hex Head, M8x25x20
	06100583	6			29				
		6			27				
12	04708439	2							LATCH, Hood
13	05245045AB	2							STRIKER, Hood Latch
14	06100557	6			29				BOLT AND CONED WASHER, Hex Head, M6x20x14
15									PIVOT, Hood Hinge Lift Assist
	04709074	1							Right
	04709075	1							Left
16	06100584	6							BOLT AND CONED WASHER, Hex Head, M8x30x20
17									BRACKET, Lower Hood Lateral
	04643874	1							Right
	04643875	1							Left
18	04643875	1							SCREW, .250-14x.750, (NOT SERVICED)
19	04643374	2							BRACKET, Lower Hood Lateral
20	06100591	4							BOLT AND CONED WASHER, Hex Head, M8x25x24
21									BRACKET, Hood
	05245114	1							Right
	05245115	1							Left

VIPER GTS COUPE,VIPER RT/10 ROADSTER (SR)
 SERIES LINE BODY ENGINE TRANSMISSION
 S = RT/10 D = DODGE 27 = 2-DR CONVERTIBLE EWB = ENGINE - 8.0L V10 DEC = TRANSMISSION - 6-SPEED
 S = GTS Coupe 29 = SPECIALTY COUPE SFI MANUAL
 X = GTS/Lemans EWO = All 8.0L Gas DBB = All Manual

AR = use ase required - = Non illustrated part 2000 SR

Hood Release And Hinge Figure SSR-510



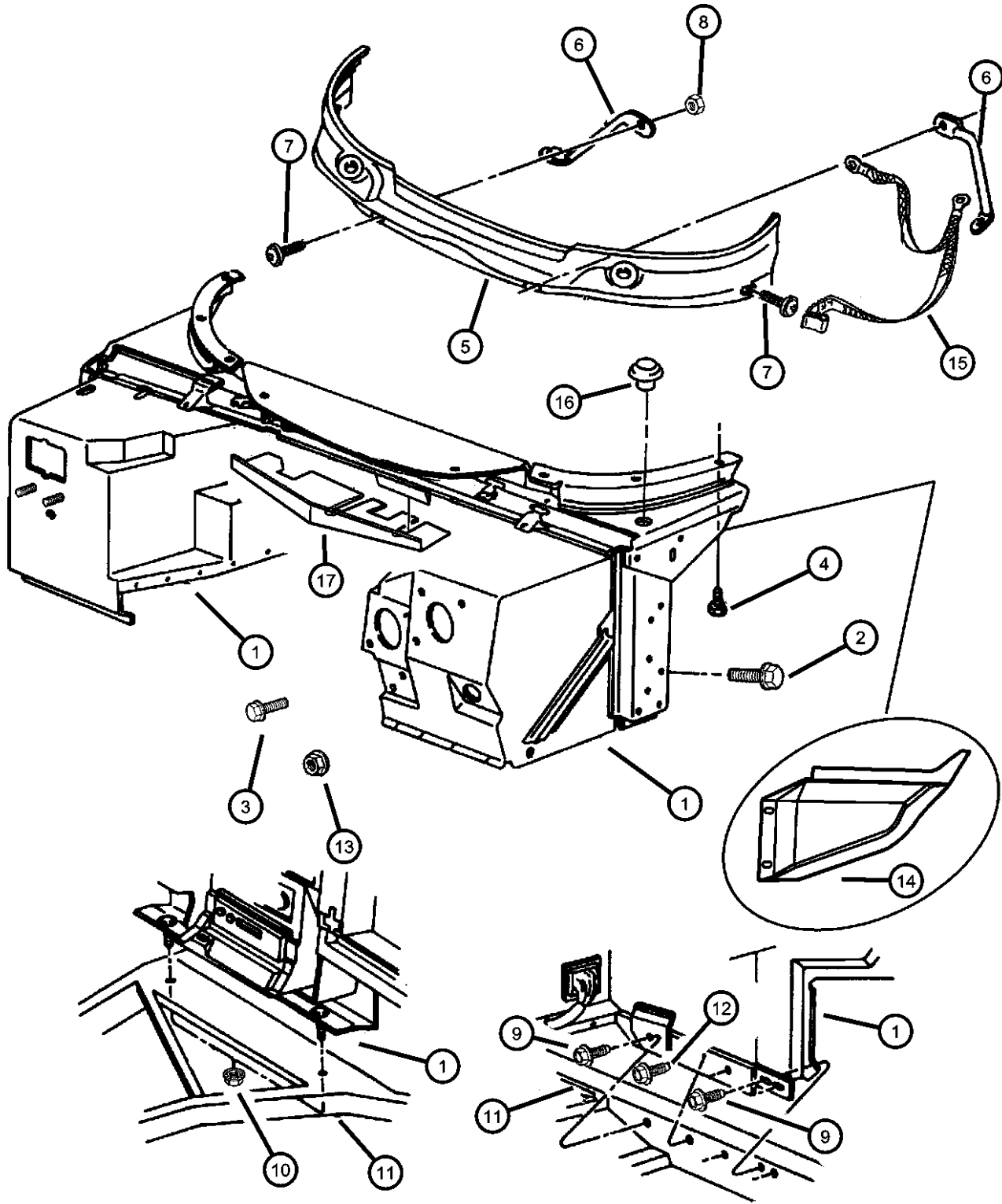
ITEM	PART NUMBER	QTY	LINE	SERIES	BODY	ENGINE	TRANS	TRIM	DESCRIPTION
22	05245115	1							SCREW, M8x1.25x40.00, (NOT SERVICED)
23	04643463	AR							SHIM, Hood Latch
24									BRACKET, Hood
	05245116AB	1							Right
	05245117AB	1							Left
25	05245117AB	1							ANTENNA, Reference Only, (NOT SERVICED)
26	06500532	4							NUT AND WASHER, Hex Nut-Coned Washer, M8 x 1.25
27									SCREEN, Hood
	04709248	1							Right
	04709249	1							Left
28	04709249	1							SCREW, .164-18x.625, (NOT SERVICED)
29	04643073	1							SEAL, Hood To Cowl
30									LOUVER, Air Outlet
	04763330AB	1			29				Right
		1			27				Right
	04763331AB	1			29				Left
		1			27				Left
31									BEZEL, Nacaduct
	04763335AB	1			27				
		1			29				

VIPER GTS COUPE,VIPER RT/10 ROADSTER (SR)

SERIES	LINE	BODY	ENGINE	TRANSMISSION
S = RT/10	D = DODGE	27 = 2-DR CONVERTIBLE	EWB = ENGINE - 8.0L V10	DEC = TRANSMISSION - 6-SPEED
S = GTS Coupe		29 = SPECIALTY COUPE	SFI	MANUAL
X = GTS/Lemans			EW0 = All 8.0L Gas	DBB = All Manual

AR = use ase required - = Non illustrated part

**Cowl And Dash Panel
Figure SSR-610**



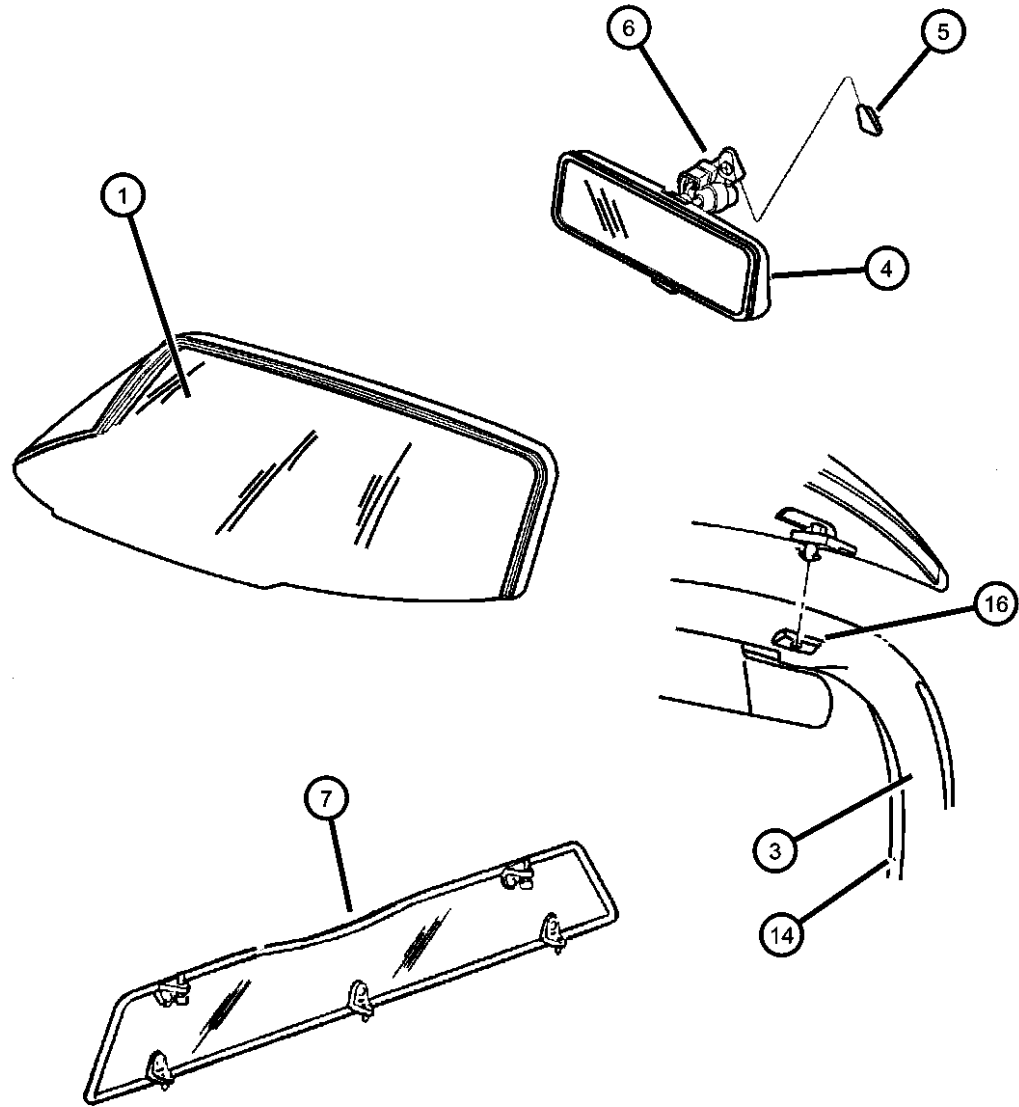
ITEM	PART NUMBER	QTY	LINE	SERIES	BODY	ENGINE	TRANS	TRIM	DESCRIPTION
1	04763547	1							PANEL, Dash
2	06101542	4							SCREW, Hex Head, M8-1.25 x 20
3	06100544	1							SCREW, Hex Flange Head, M5x0.80x20.00
4	06101452	2			29				SCREW AND WASHER, Hex Head, M8x1.25x20
5									PANEL, Cowl
	0QN61SX9	1			27				
		1			29				
6									ROD, Cowl Panel
	05245872	1							Right
	05245873	1							Left
7	06035625	4							SCREW
8	06502843	2			29				NUT AND WASHER, Hex Nut-Coned Washer, M6 x 1.00
9	06101090	6							SCREW AND WASHER, Hex Head, M10x1.5x25
10	06502337	2							NUT, M10x1.5
11	06502337	2							FRAME, Reference Only, (NOT SERVICED)
12	06502337	2							SCREW, 10x16x.5, (NOT SERVICED)
13	06504516	2							NUT AND WASHER, M6x1.00, Attaching Accelerator COVER, A Pillar
14									COVER, A Pillar
	04848900AA	1							Right
	04848901AA	1							Left
15	04848897AB	1							STRAP, Ground
16	04373728	4							PLUG
17	04848850AC	1							COVER, Antenna Opening

VIPER GTS COUPE,VIPER RT/10 ROADSTER (SR)

SERIES	LINE	BODY	ENGINE	TRANSMISSION
S = RT/10	D = DODGE	27 = 2-DR CONVERTIBLE	EWB = ENGINE - 8.0L V10	DEC = TRANSMISSION - 6-SPEED
S = GTS Coupe		29 = SPECIALTY COUPE	SFI	MANUAL
X = GTS/Lemans			EW0 = All 8.0L Gas	DBB = All Manual

AR = use ase required - = Non illustrated part

**Glass Windshield, Frame And Mirror (Convertible)
Figure SSR-710**



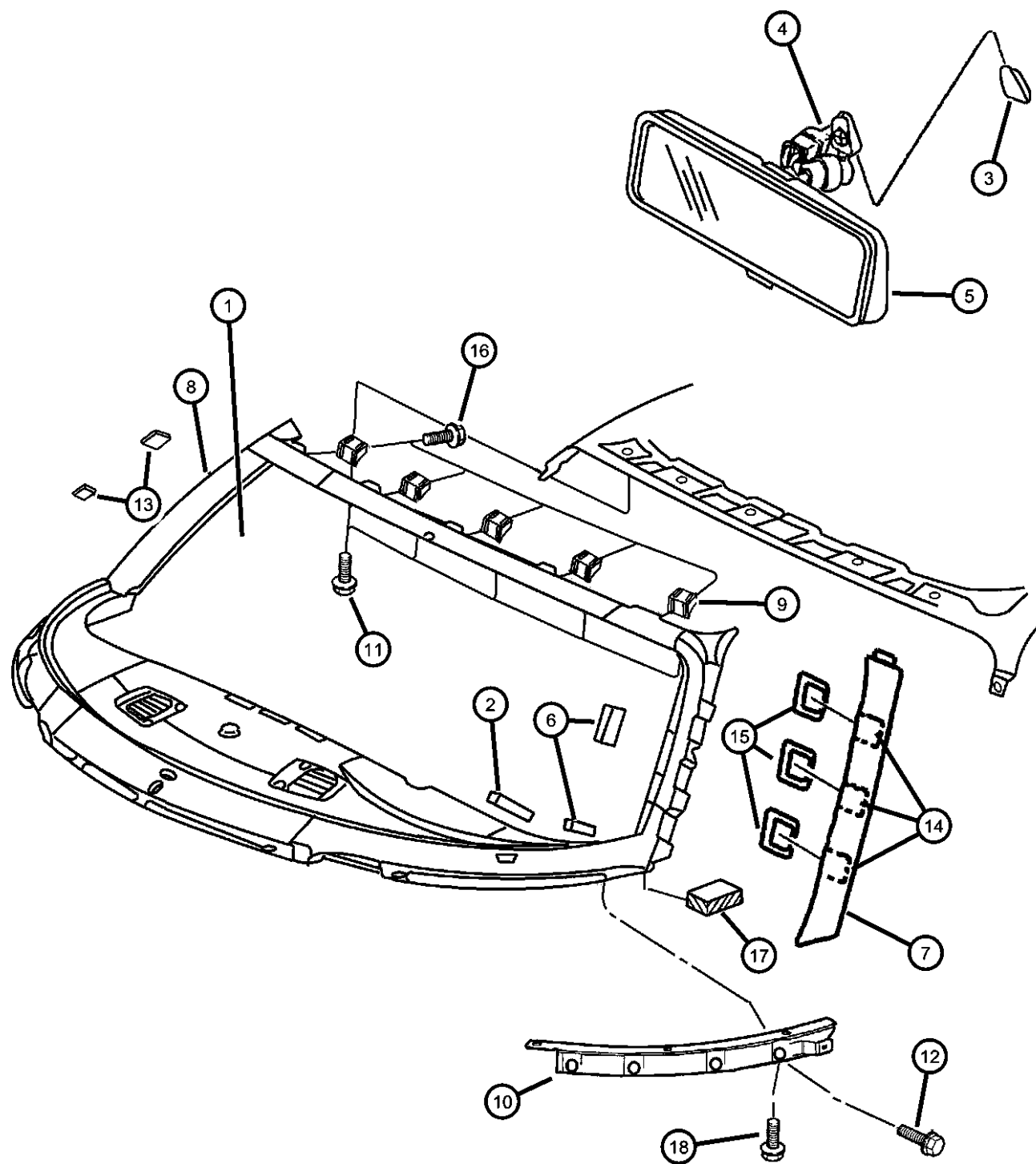
ITEM	PART NUMBER	QTY	LINE	SERIES	BODY	ENGINE	TRANS	TRIM	DESCRIPTION
1	04897447AA DW01177GTY	1			27				WINDSHIELD, Shipping Assembly - 05 Lite Glass Collision Replacement Glass
-2	04643847	AR							SHIM, Windshield
3	0PR74DX9AE	1			27				FRAME, Windshield
4	04643256	1			27				MIRROR, Inside Rear View, Lighted
5	55076401	1			27				BUTTON, Rear View Mirror
6	06031094	1			27				SCREW, Pan Head Tapping, .19-16x.375
7	04848883AA	1			27				BACKLITE, w/Seal
-8	04848886AA	3			27				BACKLITE, Snap Assy
-9									BACKLITE, Lock Cover
	04848888AA	1			27				Right
	04848889AA	1			27				Left
-10	04848891AA	1			27				BACKLITE, Lock Package
-11	04848894AA	2			27				KEY, Backlite, Viper
-12	04848895AA	2			27				LOCK COVER, End Cap
-13	04848896AA	2			27				WASHER, Lock Cylinder, With Seal
14									RETAINER, A Pillar Trim
	04848306AB	1			27				Right
	04848307AB	1			27				Left
-15									WEATHERSTRIP, A-Pillar to Roof
	04848304AG	1			27				Right
	04848305AG	1			27				Left
16									CAP
	0RC76DX9AA	1			27				Right
	0RC77DX9AA	1			27				Left
-17	0GA75LX7	1			27				BAG, Backlite

VIPER GTS COUPE,VIPER RT/10 ROADSTER (SR)

SERIES	LINE	BODY	ENGINE	TRANSMISSION
S = RT/10	D = DODGE	27 = 2-DR CONVERTIBLE	EWB = ENGINE - 8.0L V10	DEC = TRANSMISSION - 6-SPEED
S = GTS Coupe		29 = SPECIALTY COUPE	SFI	MANUAL
X = GTS/Lemans			EW0 = All 8.0L Gas	DBB = All Manual

AR = use ase required - = Non illustrated part

**Glass Windshield Frame And Mirror Viper Coupe
Figure SSR-715**



ITEM	PART NUMBER	QTY	LINE	SERIES	BODY	ENGINE	TRANS	TRIM	DESCRIPTION
1	04897573AA DW01294GTY	1			29				WINDSHIELD, Shipping Assembly - 05 Lite Glass Collision Replacement Glass
2	04643847	AR							SHIM, Windshield
3	55076401	1			29				BUTTON, Rear View Mirror
4	55076401	1							SCREW, Pan Head Tapping, .19-16x.375, (.19-16x.375), (NOT SERVICED)
5	04848196	1			29				MIRROR ASSEMBLY, I/S Prismatic
6	04278662	4							SPACER
7									COVER, A Pillar
	0SX50LRNAA	1			29				Red, Right
	0SX50MX3AA	1			29				Black, Right
	0SX50VS6AA	1			29				Quartz, Right
	0SX51LRNAA	1			29				Red, Left
	0SX51MX3AA	1			29				Black, Left
	0SX51VS6AA	1			29				Quartz, Left
8	0QM22MX4AE	1			29				FRAME, Windshield
9	04848823	5			29				BRACKET, Windshield Frame to Roof
10									BRACKET, Windshield
	04848526	1							Right
	04848527	1							Left
11	06100582	5			29				BOLT AND CONED WASHER, Hex Head, M8x20x20
12	06100582	5							SCREW AND WASHER, M10x1.5x30, (M10x1.5x30), (NOT SERVICED)
13									RETAINER, Front Pillar to Glass
	04763888AD	1			29				Right
	04763889AD	1			29				Left
14	05245843	6			29				LOCK COVER, Dual, Cover Half
15	05245842	6			29				LOCK COVER, Dual, Body Half
16	06500584	8			29				SCREW AND WASHER, Hex Head, M8x1.25x30
17	04848371	2							SEAL, Sport Cap Base
18	06500584	8			29				SCREW AND WASHER, Hex Head, M8x1.25x30

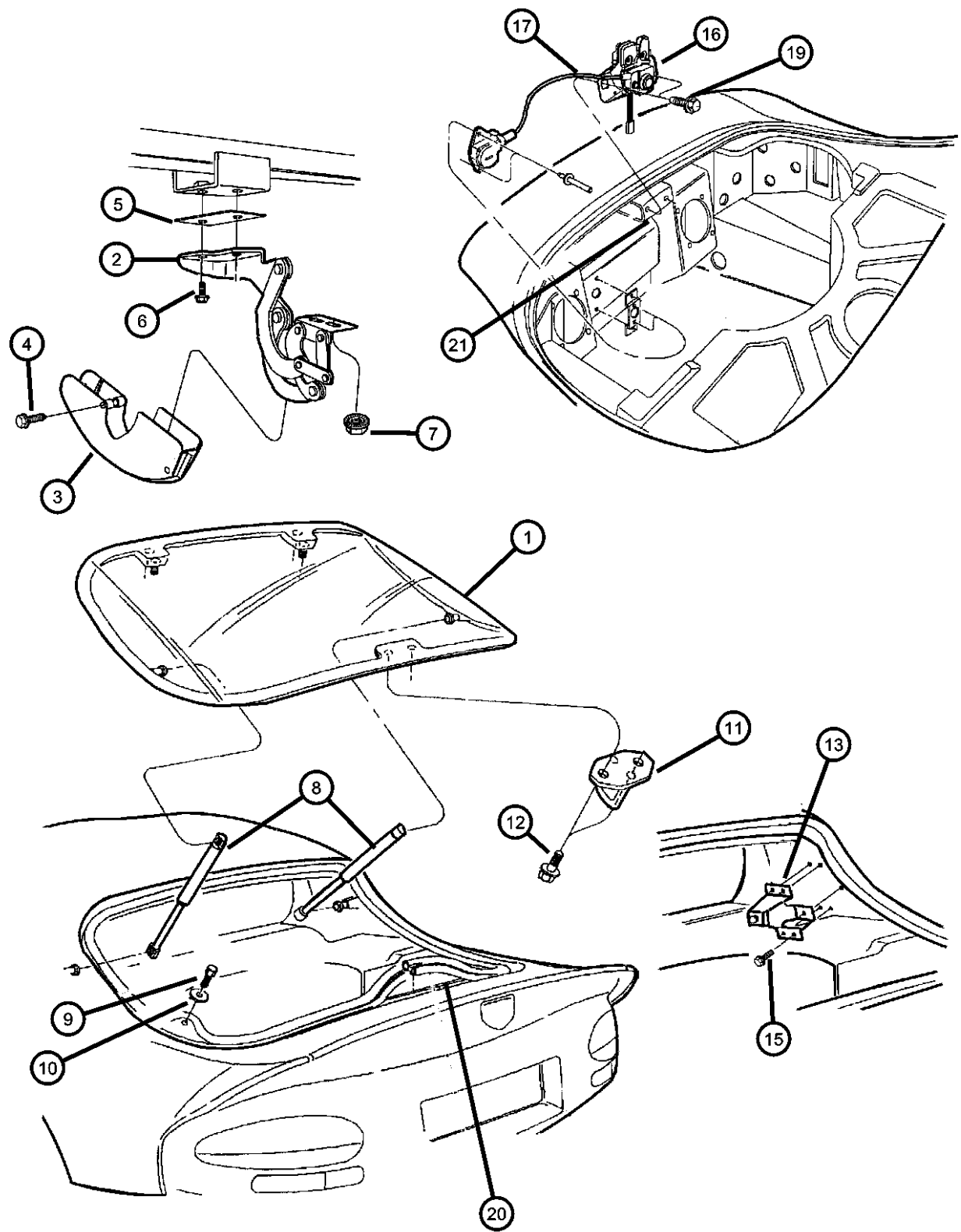
VIPER GTS COUPE,VIPER RT/10 ROADSTER (SR)

SERIES	LINE	BODY	ENGINE	TRANSMISSION
S = RT/10	D = DODGE	27 = 2-DR CONVERTIBLE	EWB = ENGINE - 8.0L V10	DEC = TRANSMISSION - 6-SPEED
S = GTS Coupe		29 = SPECIALTY COUPE	SFI	MANUAL
X = GTS/Lemans			EW0 = All 8.0L Gas	DBB = All Manual

AR = use ase required - = Non illustrated part

2000 SR

**Glass, Backlite Hardtop
Figure SSR-720**



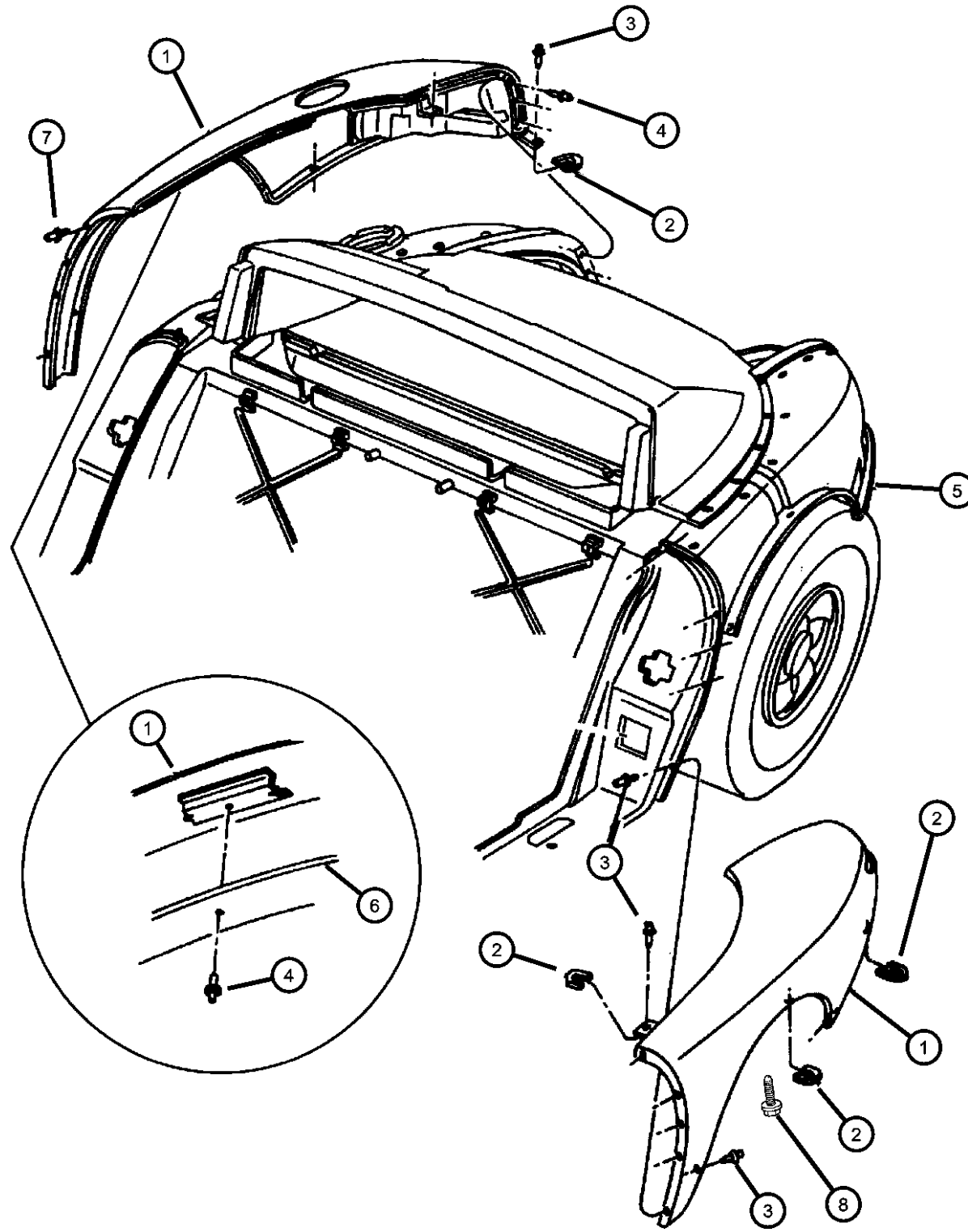
ITEM	PART NUMBER	QTY	LINE	SERIES	BODY	ENGINE	TRANS	TRIM	DESCRIPTION
1	04763380AC DB09130GTY	1			29				BACKLITE Collision Replacement Glass
2	04763964 04763965	1 1			29 29				HINGE, Liftgate Right Left
3	0QM20SX9	1			29				COVER, Hinge, Black, Right
4	06035857	8			29				PIN PUSH, .281x.770
5	04848225	AR			29				SHIM, Liftgate Hinge, To Sport Bar
6	06100567	4			29				SCREW AND WASHER, Hex Head, M6x1x25
7	06501941	4			29				NUT AND WASHER, Liftgate Hinge to Glass
8	04763387AB	2			29				PROP, Backlite
9	05256749	2			29				BUMPER, Deck Lid Adjuster
10	04854301AA	2			29				GASKET, Bumper Bracket
11	04763384	1			29				STRIKER, Backlite
12	06501941	2			29				NUT AND WASHER
13	04848358 04848359	1 1			29 29				BRACKET, Liftgate Right Left
-14	05245666 05245667	1 1			29 29				REINFORCEMENT, Mounting Right Left
15	06100557	6			29				BOLT AND CONED WASHER, Hex Head, M6x20x14
16	05017672AA	1			29				LATCH, Decklid, w/Switch and Screws
17	05017673AA	1			29				CABLE, Deck Lid Release, w/Screws
-18	04848767	1			29				BRACKET, Trunk Lamp Mounting
19	06100567	1							SCREW AND WASHER, Hex Head, M6x1x25
20	04763671AB	1			29				WEATHERSTRIP, Liftgate Glass
21	04763386	1			29				BRACKET, Mounting
-22	06016152	2							CLIP, Inner Hole Deck Lid
-23	0SF88DX9AA	1			29				HANDLE, Backlight Remote Release

VIPER GTS COUPE,VIPER RT/10 ROADSTER (SR)

SERIES	LINE	BODY	ENGINE	TRANSMISSION
S = RT/10	D = DODGE	27 = 2-DR CONVERTIBLE	EWB = ENGINE - 8.0L V10	DEC = TRANSMISSION - 6-SPEED
S = GTS Coupe		29 = SPECIALTY COUPE	SFI	MANUAL
X = GTS/Lemans			EW0 = All 8.0L Gas	DBB = All Manual

AR = use ase required - = Non illustrated part

Rear Quarter Panel
Figure SSR-910



ITEM	PART NUMBER	QTY	LINE	SERIES	BODY	ENGINE	TRANS	TRIM	DESCRIPTION
1									PANEL, Quarter
	04763340AB	1			29				Right
	04763341AB	1			29				Left
	04854326AA	1			27				Right
	04854327AA	1			27				Left
2	04643893	AR							SHIM, Quarter Panel
3	06034844	AR			29				RIVET, Blind, .250x.375/.562
4	06034645	14			27				RIVET, .25 Grip-.06-.25
5	04848202	2			27				SEAL, Panel, Quarter Panel Lower
6	04848202	2							PAN, Rear Floor, [Reference Only], (NOT SERVICED)
7	06034578	10			29				RIVET, .25 Grip.06-.25
8	06101455	6			29				SCREW AND WASHER, Hex Head, M6x1x20, Quarter Panel Mounting, M6x1.00x20.00

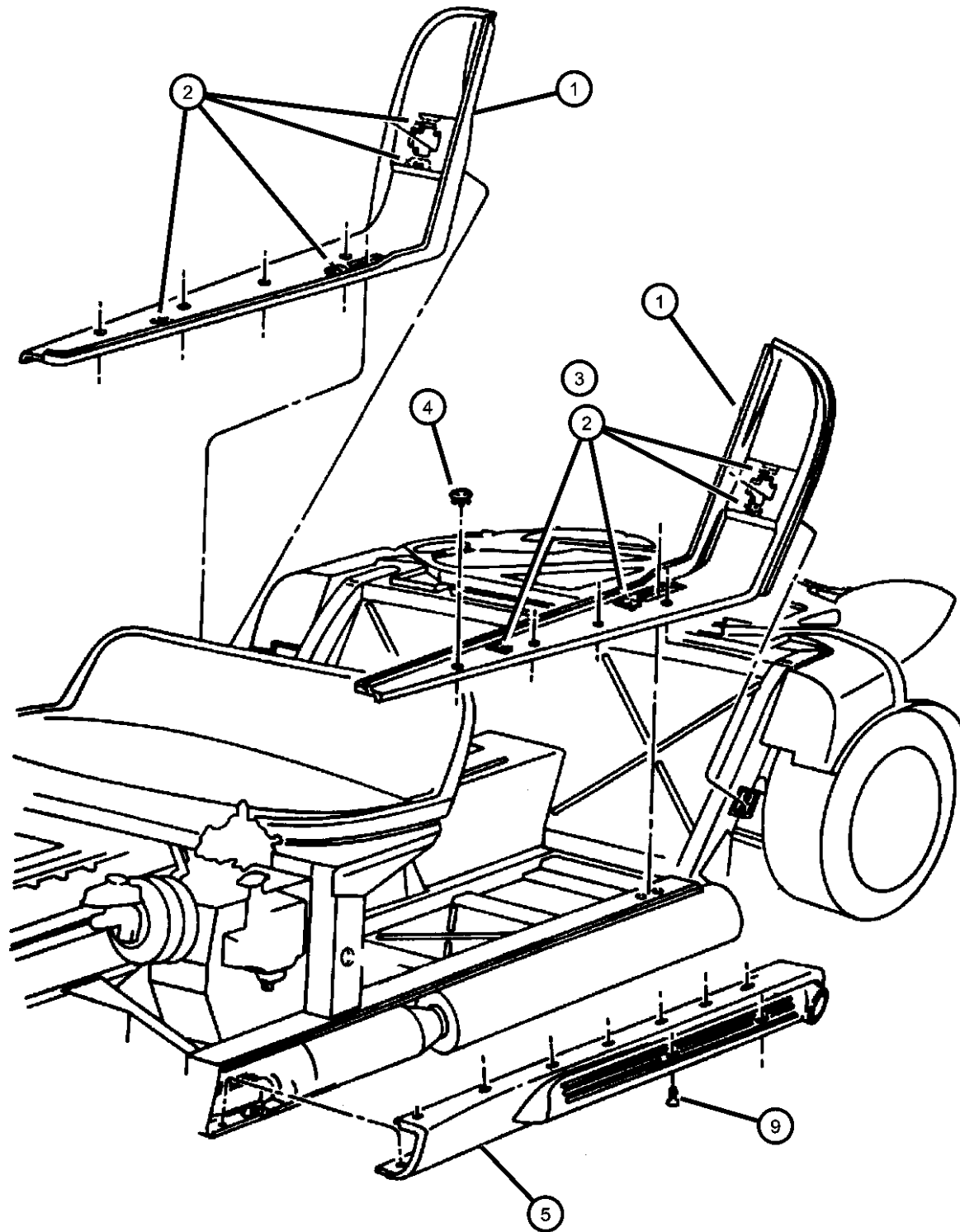
VIPER GTS COUPE,VIPER RT/10 ROADSTER (SR)

SERIES	LINE	BODY	ENGINE	TRANSMISSION
S = RT/10	D = DODGE	27 = 2-DR CONVERTIBLE	EWB = ENGINE - 8.0L V10	DEC = TRANSMISSION - 6-SPEED
S = GTS Coupe		29 = SPECIALTY COUPE	SFI	MANUAL
X = GTS/Lemans			EW0 = All 8.0L Gas	DBB = All Manual

AR = use ase required - = Non illustrated part

2000 SR

Loose Panel
Figure SSR-1010



ITEM	PART NUMBER	QTY	LINE	SERIES	BODY	ENGINE	TRANS	TRIM	DESCRIPTION
Note: [P.A.R.] = Paint As Required									
1									PANEL, Door Surround
	04848838AA	1							Paint as Required, Right
	04848839AA	1							Paint as Required, Left
2	35022111	AR							SPACER, Fender, 1.0
3	35022112	AR							SPACER, Fender, 1.5
4	04848881AA	8							PLUG, Body, .75 Diameter
5									PANEL, Sill
	04763640AD	1							Right
	04763641AD	1							Left
-6	06504580	20							SCREW, Hex Flange Head Tapping, M4.8x1.59x13, M4.8x1.59x13.00
-7									CAP
	05245544	1							Sill, Right, Outer, Rear
	05245545	1							Sill, Left, Outer, Rear
-8									CLADDING, Front Sill
	04708428	1							Right
	04708429	1							Left
9	06504580	20							SCREW, Hex Flange Head Tapping, M4.8x1.59x13, M4.8X1.59X13.00
-10									LABEL, Exhaust Warning
	04708021	2							
	04708337	2							Canada

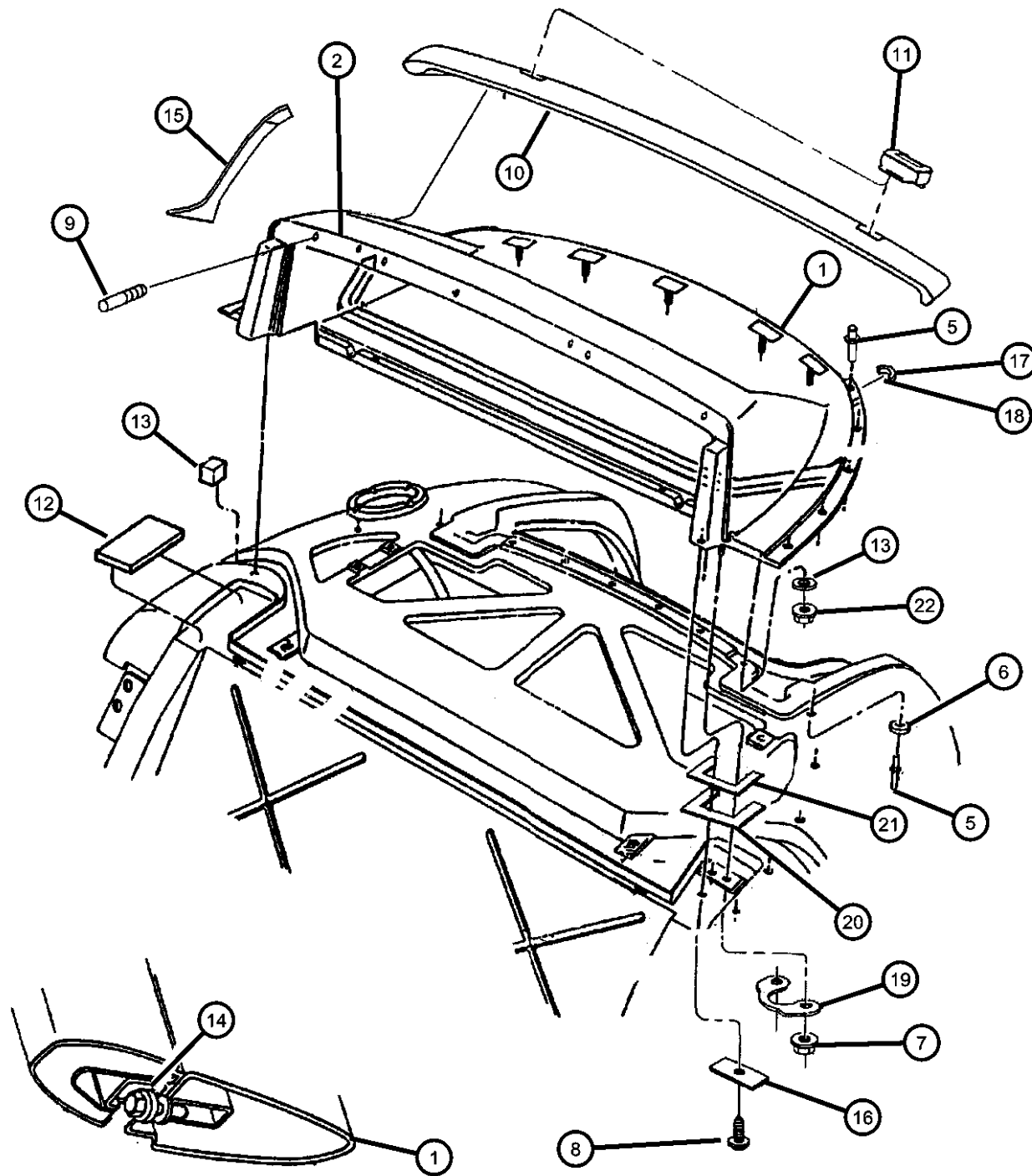
VIPER GTS COUPE,VIPER RT/10 ROADSTER (SR)

SERIES	LINE	BODY	ENGINE	TRANSMISSION
S = RT/10	D = DODGE	27 = 2-DR CONVERTIBLE	EWB = ENGINE - 8.0L V10	DEC = TRANSMISSION - 6-SPEED
S = GTS Coupe		29 = SPECIALTY COUPE	SFI	MANUAL
X = GTS/Lemans			EW0 = All 8.0L Gas	DBB = All Manual

AR = use ase required - = Non illustrated part

2000 SR

**Sport Cap
Figure SSR-1110**



ITEM	PART NUMBER	QTY	LINE	SERIES	BODY	ENGINE	TRANS	TRIM	DESCRIPTION
1	04854330AA	1			27				PANEL, Sport Cap, Service Dealer Painted
2	04848875AB	1			27				APPLIQUE, SPORT CAP, Anti-Scratch Applique
-3	06034756	10			27				RIVET, Blind, .156x.460
-4									BRACKET, Quarter Trim
	04848684	2			29				
	04848876AA	2			27				
5									RIVET, .25 Grip.06-.25
	06034578	16			27				
		2			29				
6	04073371	2							WASHER, Flat, Round, ID.220, OD.75, THK.10, Sport Cap Rear
7	06502337	2							NUT, M10x1.5, Sportbar Attaching
8	06503675	2							SCREW AND WASHER, Hex Head, M10x1.5x40
9	06035227	2			27				STUD, .312-18x1.875
10	0PR73DX9AD	1			27				PAD, Sport Cap, Black
11	0QX23DX9AB	2			27				GROMMET, Sport Cap
12	0QX23DX9AB	2							DEADNER, Body Panel, (NOT SERVICED)
13	04848371	2			27				SEAL, Sport Cap Base, Sport Cap Base
14	04848371	2							SCREW, and WASHER, M8x1.25x40.00,, (NOT SERVICED)
15									COVER, "B" Pillar Outside
	0RV88DX9AA	1			27				Black, Right
	0RV89DX9AA	1			27				Black, Left
16	04848849AA	2							PLATE, Sport Bar to Frame
17	35022111	AR							SPACER, Fender, 1.0, Shim Front Fender Alignment
18	35022112	AR							SPACER, Fender, 1.5, Shim Front Fender Alignment
19	04848128	2							WASHER, Sport Bar, Attachment
20	04643353	AR							SHIM, Floor Pan Isolator, Sport Cap Base To Frame
21	04848868AA	AR			27				SHIM, Floor Pan Isolator
22									NUT AND WASHER
	06501941	5			27				Sport Cap Attaching
		4			29				Sport Cap Attaching

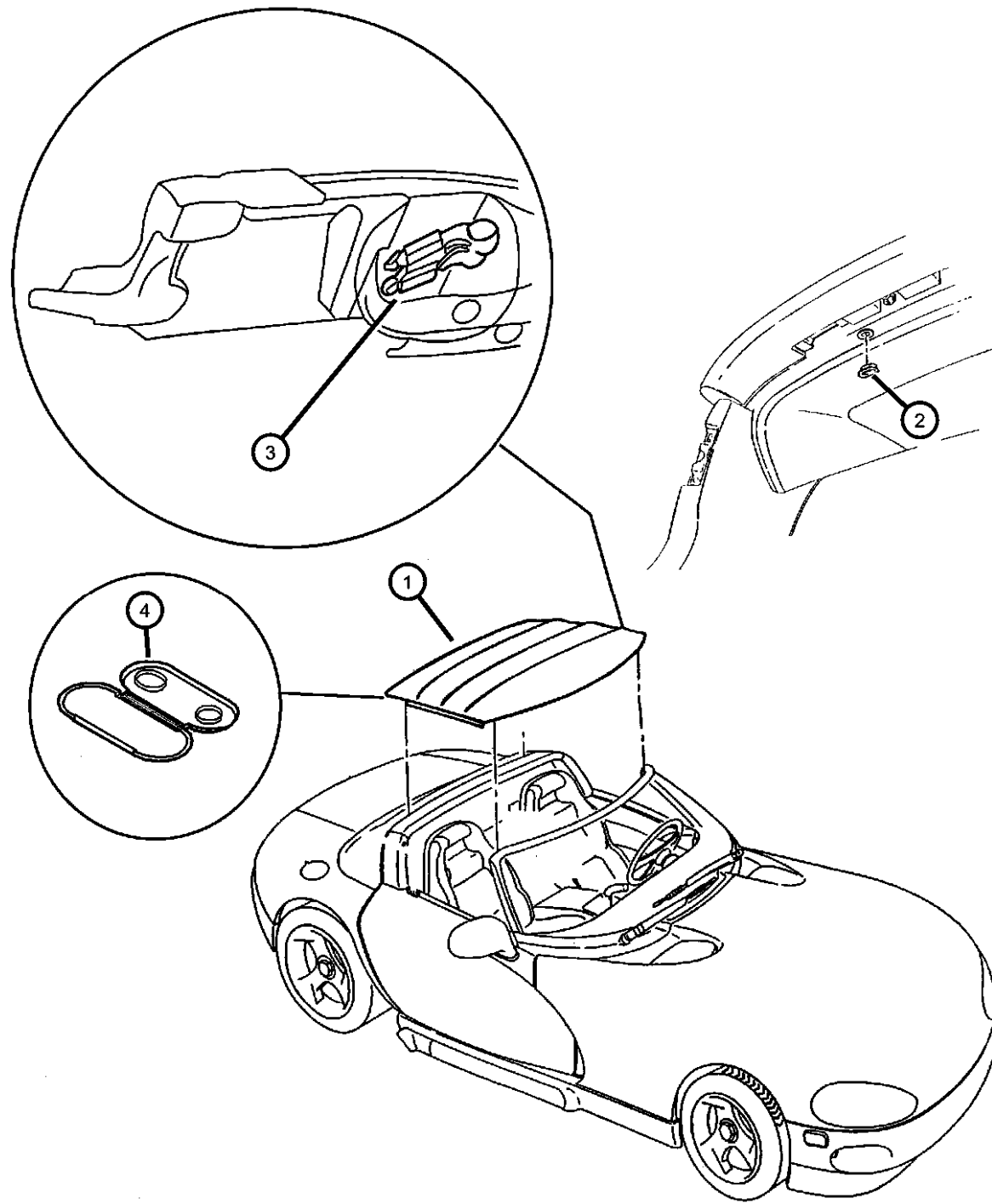
VIPER GTS COUPE,VIPER RT/10 ROADSTER (SR)

SERIES	LINE	BODY	ENGINE	TRANSMISSION
S = RT/10	D = DODGE	27 = 2-DR CONVERTIBLE	EWB = ENGINE - 8.0L V10	DEC = TRANSMISSION - 6-SPEED
S = GTS Coupe		29 = SPECIALTY COUPE	SFI	MANUAL
X = GTS/Lemans			EW0 = All 8.0L Gas	DBB = All Manual

AR = use ase required - = Non illustrated part

2000 SR

Toupette Assembly-top
Figure SSR-1120



ITEM	PART NUMBER	QTY	LINE	SERIES	BODY	ENGINE	TRANS	TRIM	DESCRIPTION
1	0PK61SX9AK	1			27				TOP, Toupette
2	04643927AB	2			27				GROMMET, Sport Cap
3									WEATHERSTRIP, A-Pillar to Roof
	04848644AE	1			27				Right
	04848645AE	1			27				Left
4	04848902AA	4			27				COVER, Weatherstrip
-5	04848950AA	1			27				STORAGE BAG, Top
-6	0GA79BX7AD	1			27				COVER, Tonneau
-7	06035085	4			27				SCREW, Tapping, .164-15x1
-8	06035227	2			27				STUD, .312-18x1.875
-9	04658673	AR			29				PIN PUSH, .150x.410
-10	06100515	8			27				NUT, Hex Flange Lock, M5
-11	04848949AA	1			27				ROD, Tonneau Cover

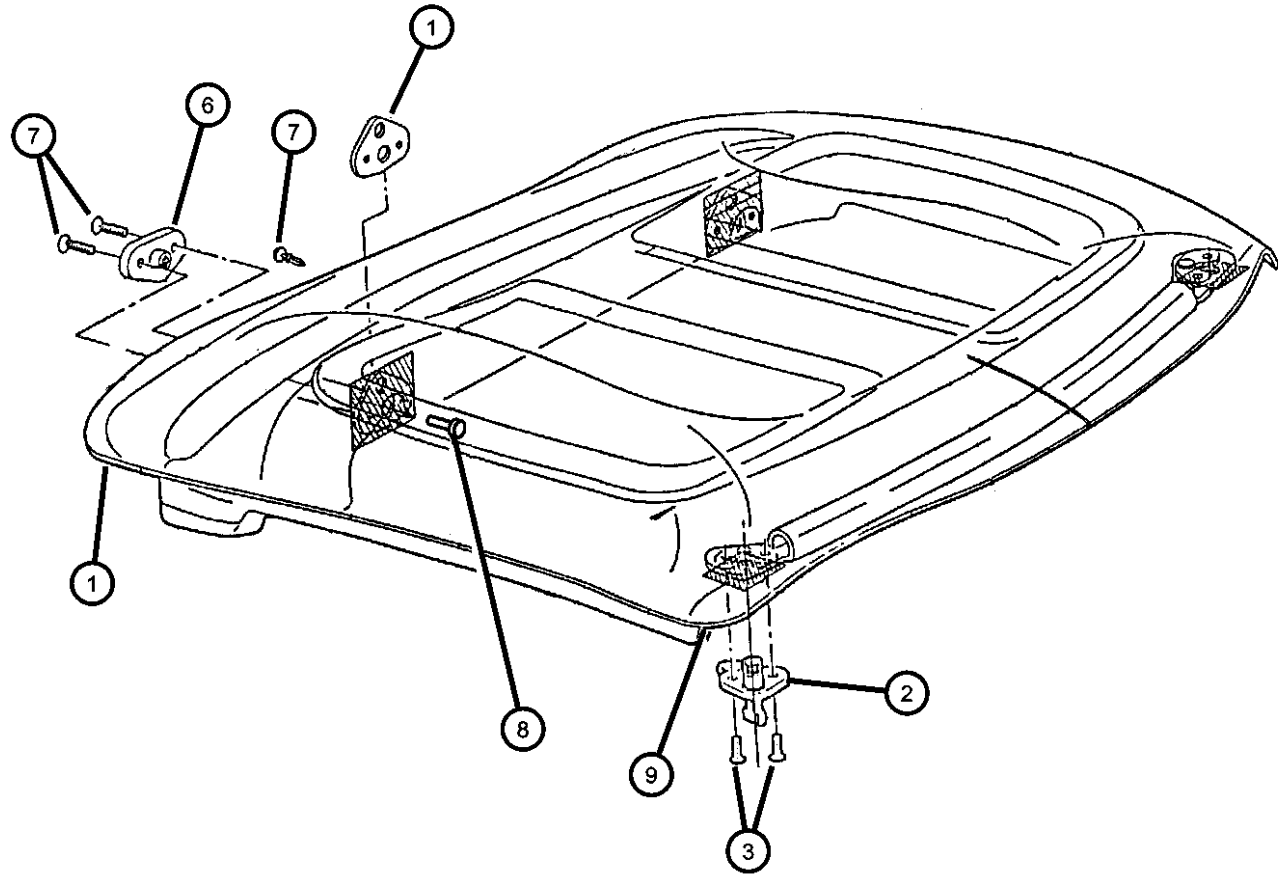
VIPER GTS COUPE,VIPER RT/10 ROADSTER (SR)

SERIES	LINE	BODY	ENGINE	TRANSMISSION
S = RT/10	D = DODGE	27 = 2-DR CONVERTIBLE	EWB = ENGINE - 8.0L V10	DEC = TRANSMISSION - 6-SPEED
S = GTS Coupe		29 = SPECIALTY COUPE	SFI	MANUAL
X = GTS/Lemans			EW0 = All 8.0L Gas	DBB = All Manual

AR = use ase required - = Non illustrated part

2000 SR

**Hard Top Convertible
Figure SSR-1125**



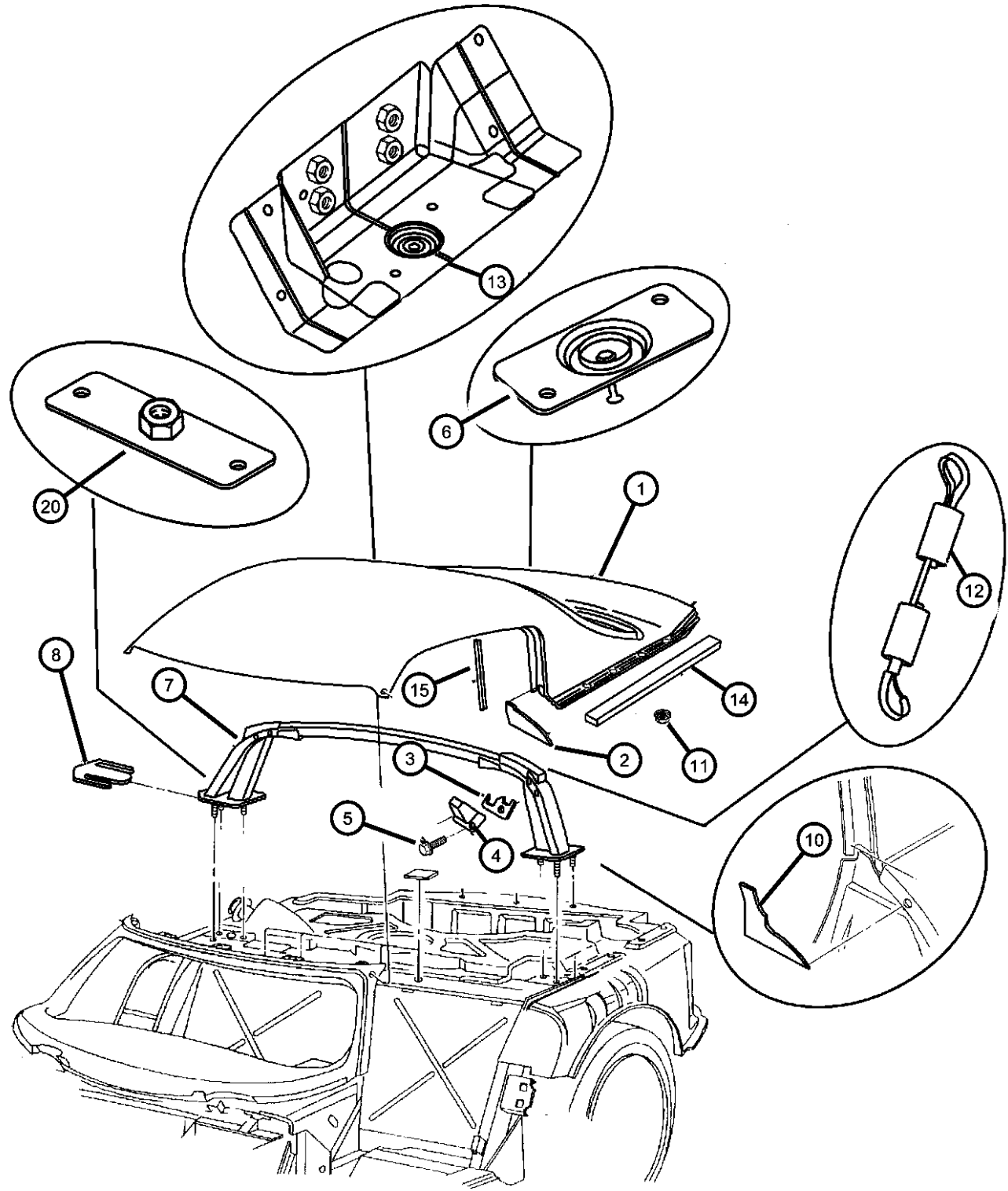
ITEM	PART NUMBER	QTY	LINE	SERIES	BODY	ENGINE	TRANS	TRIM	DESCRIPTION
1	0SW18LR-NAA	1			27				TOP, Hard Red, [R]
	0SW18MX3AA	1			27				Black, [X]
	0SW18VS6AA	1			27				Steel Gray, [H]
2									LATCH KIT, Hard Top, Front
	05016176AA	1			27				Right
	05016177AA	1			27				Left
3	05016234AA	1			27				SCREW, M4x0.7x16.0 Flat Head, Used With Front Latch
-4									LATCH KIT, Hard Top, Rear
	05010854AA	1			27				Right
	05010855AA	1			27				Left
-5	05016236AA	1			27				SCREW, M4x0.7x12.0 Pan Head, Used With Rear Latch
6	04882378	1			27				ISOLATOR, Rear Latch Pin
7	04882378	1							SCREW, (NOT SERVICED)
8	04626527	1							BOLT, M8-1.25x50.0 Shoulder
9	05010862AB	1			27				WEATHERSTRIP KIT, Hard Top, Used For Leaks
-10	05010850AA	1			27				HEADLINER KIT, Hard Top

VIPER GTS COUPE,VIPER RT/10 ROADSTER (SR)

SERIES	LINE	BODY	ENGINE	TRANSMISSION
S = RT/10	D = DODGE	27 = 2-DR CONVERTIBLE	EWB = ENGINE - 8.0L V10	DEC = TRANSMISSION - 6-SPEED
S = GTS Coupe		29 = SPECIALTY COUPE	SFI	MANUAL
X = GTS/Lemans			EW0 = All 8.0L Gas	DBB = All Manual

AR = use ase required - = Non illustrated part

**Roof Panel Viper Coupe
Figure SSR-1130**



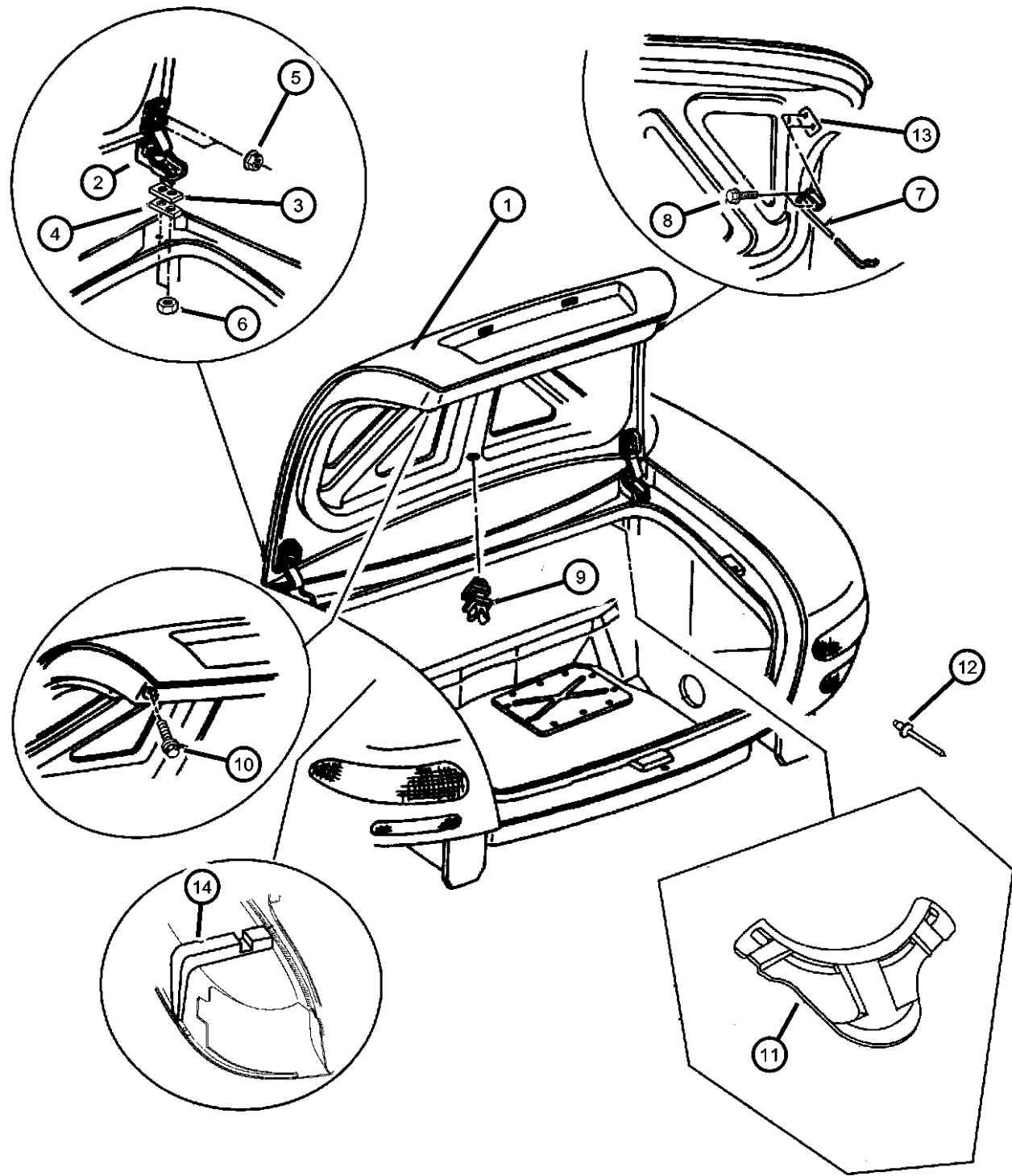
ITEM	PART NUMBER	QTY	LINE	SERIES	BODY	ENGINE	TRANS	TRIM	DESCRIPTION
1	05V29LRNAB	1			29				PANEL, Roof Viper Red
	05V29MX3AB	1			29				Black
2									SEAL, Door Right
	04848906AA	1			29				Left
	04848907AA	1			29				
3	05245858	AR			29				SHIM, Side Rail To Sport Bar
4									BRACKET, Roof To Sport Bar Right
	04848884AA	1			29				Left
	04848885AA	1			29				
5	06101452	2			29				SCREW AND WASHER, Hex Head, M8x1.25x20
6	05245664	4			29				REINFORCEMENT, Mounting, Closeout Mounting, Roof Inner BAR, Sport
7	04848685AB	1			29				
8	04848790	AR			29				SHIM, Sport Bar Base Plate
-9	04848849AA	2							PLATE, Sport Bar to Frame
10									COVER, Roof to Door Surround Right
	04848904AB	1			29				Left
	04848905AB	1			29				
11									NUT AND WASHER, Hex Nut-Coned Washer, M6 x 1.00
	06503825	9			29				M6x1.00
		4			27				M6x1.00
12	04848265	2			29				CABLE, Roof To Sport Bar Mounting
13	05245640	1			29				REINFORCEMENT, Mounting
14	04848930AA	2			29				SEAL, Enclosure To Body, Roof to Quarter, Rear
15	04848929AA	2			29				SEAL, Enclosure To Body, Roof to Quarter, Front
-16	04848128	2							WASHER, Sport Bar
-17	05245853	4			29				NOZZLE, Tube
-18	04848768	4			29				SEAL, Impact Joint
-19	06101916	2			29				NUT, Hex Weld, M8x1.25, Roof Inner To Sport Bar Gusset
20	06101916	2							REINFORCEMENT, Roof Inner to Sport Bar Gusset (Serviced With Item 7), (NOT SERVICED)

VIPER GTS COUPE,VIPER RT/10 ROADSTER (SR)

SERIES	LINE	BODY	ENGINE	TRANSMISSION
S = RT/10	D = DODGE	27 = 2-DR CONVERTIBLE	EWB = ENGINE - 8.0L V10	DEC = TRANSMISSION - 6-SPEED
S = GTS Coupe		29 = SPECIALTY COUPE	SFI	MANUAL
X = GTS/Lemans			EW0 = All 8.0L Gas	DBB = All Manual

AR = use ase required - = Non illustrated part

Deck Lid
Figure SSR-1310



ITEM	PART NUMBER	QTY	LINE	SERIES	BODY	ENGINE	TRANS	TRIM	DESCRIPTION
1	04854325AB	1			27				DECKLID
2	04643062	2			27				HINGE, Deck Lid
3	04643881	AR			27				SHIM, Decklid Hinge, .030mm, .030mm
4	04643882	AR			27				SHIM, Decklid Hinge, .060mm, .060mm
5									NUT AND WASHER, Hex Nut-Coned Washer, M6 x 1.00
	06503825	2			29				
		4			27				
6									NUT AND WASHER
	06501941	4			27				Deck Lid
		4			29				Deck Lid
7	04643272	1			27				ROD, Deck Lid Prop, Deck Lid Prop
8	06502407	2			27				SCREW AND WASHER, Hex Head, M6x1x20, M6x1.00x20
9	J4007456	1			27				CLIP, Prop Rod, Prop Rod Deck Lid Stowage
10	04708281	2							BUMPER, Deck Lid, Deck Lid Overslam
11	04848241	1			27				COVER, Fuel Tank Access
12									RIVET, .25 Grip.06-.25
	06034578	16			27				
		2			29				
13	04643604	1			27				REINFORCEMENT, Decklid Prop Rod
14	04848206AB	2			27				SEAL, TRUNK CLOSEOUT

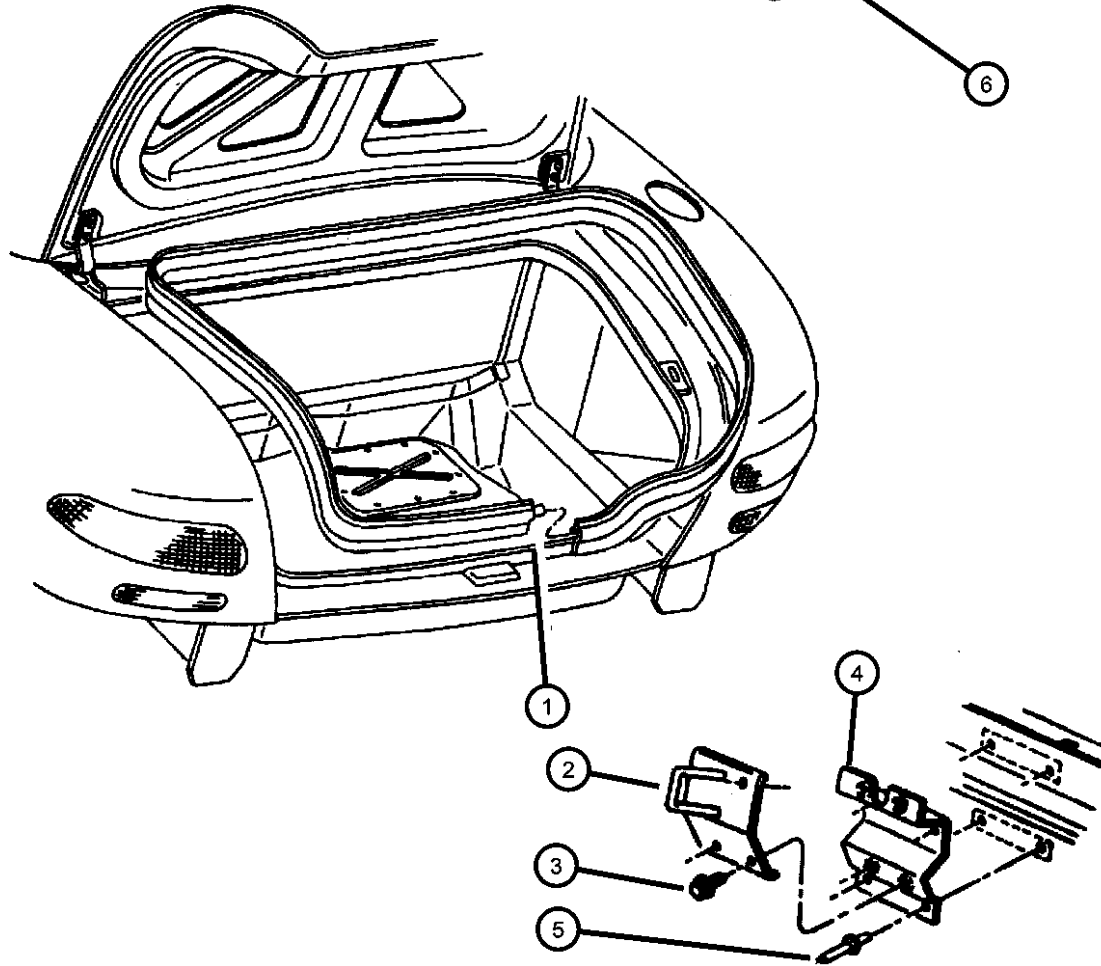
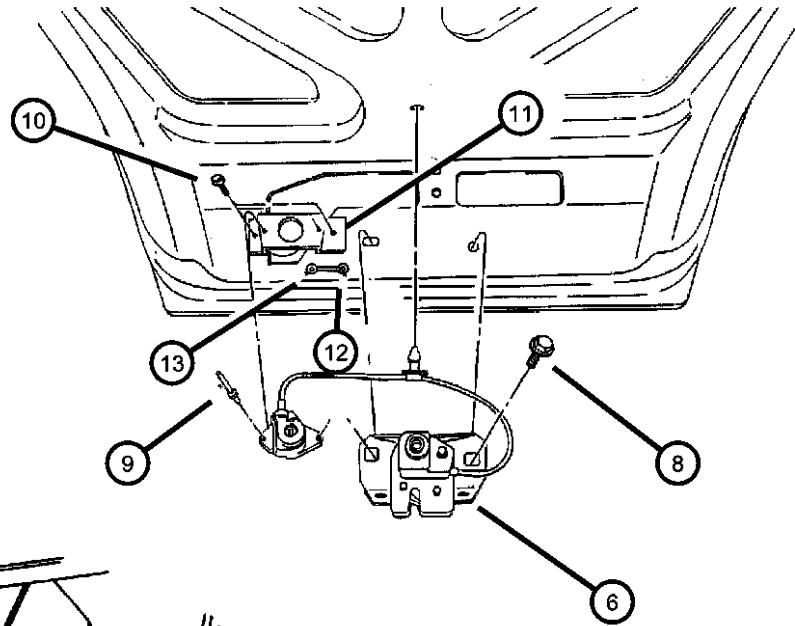
VIPER GTS COUPE,VIPER RT/10 ROADSTER (SR)

SERIES	LINE	BODY	ENGINE	TRANSMISSION
S = RT/10	D = DODGE	27 = 2-DR CONVERTIBLE	EWB = ENGINE - 8.0L V10	DEC = TRANSMISSION - 6-SPEED
S = GTS Coupe		29 = SPECIALTY COUPE	SFI	MANUAL
X = GTS/Lemans			EW0 = All 8.0L Gas	DBB = All Manual

AR = use ase required - = Non illustrated part

Deck Lid Weatherstrip And Latch
Figure SSR-1320

ITEM	PART NUMBER	QTY	LINE	SERIES	BODY	ENGINE	TRANS	TRIM	DESCRIPTION
1	04643286	1			27				WEATHERSTRIP, Liftgate Opening
2	04642894	1			27				STRIKER, Door Latch
3	04642894	1							SCREW, Pan Head, M6x1.0x17.00, (NOT SERVICED)
4	04642897	1			27				REINFORCEMENT, Decklid Striker
5	04642897	1							RIVET, (NOT SERVICED)
6	04642974	1			27				LATCH, Decklid
-7	04848767	1			29				BRACKET, Trunk Lamp Mounting, Trunk Lamp Mounting
8	06100567	2							SCREW AND WASHER, Hex Head, M6x1x25
9	06100567	2							RIVET, (NOT SERVICED)
10	06032723	6							SCREW, Self Tapping, M4.2x1.69x19.05, .164-15x.750
11	04643273	1			27				PLATE, Decklid Cylinder
12	55013666	2			27				FOOTMAN LOOP, Hold Down
13	06034646	2			27				RIVET, .197 Grip-.187-.375



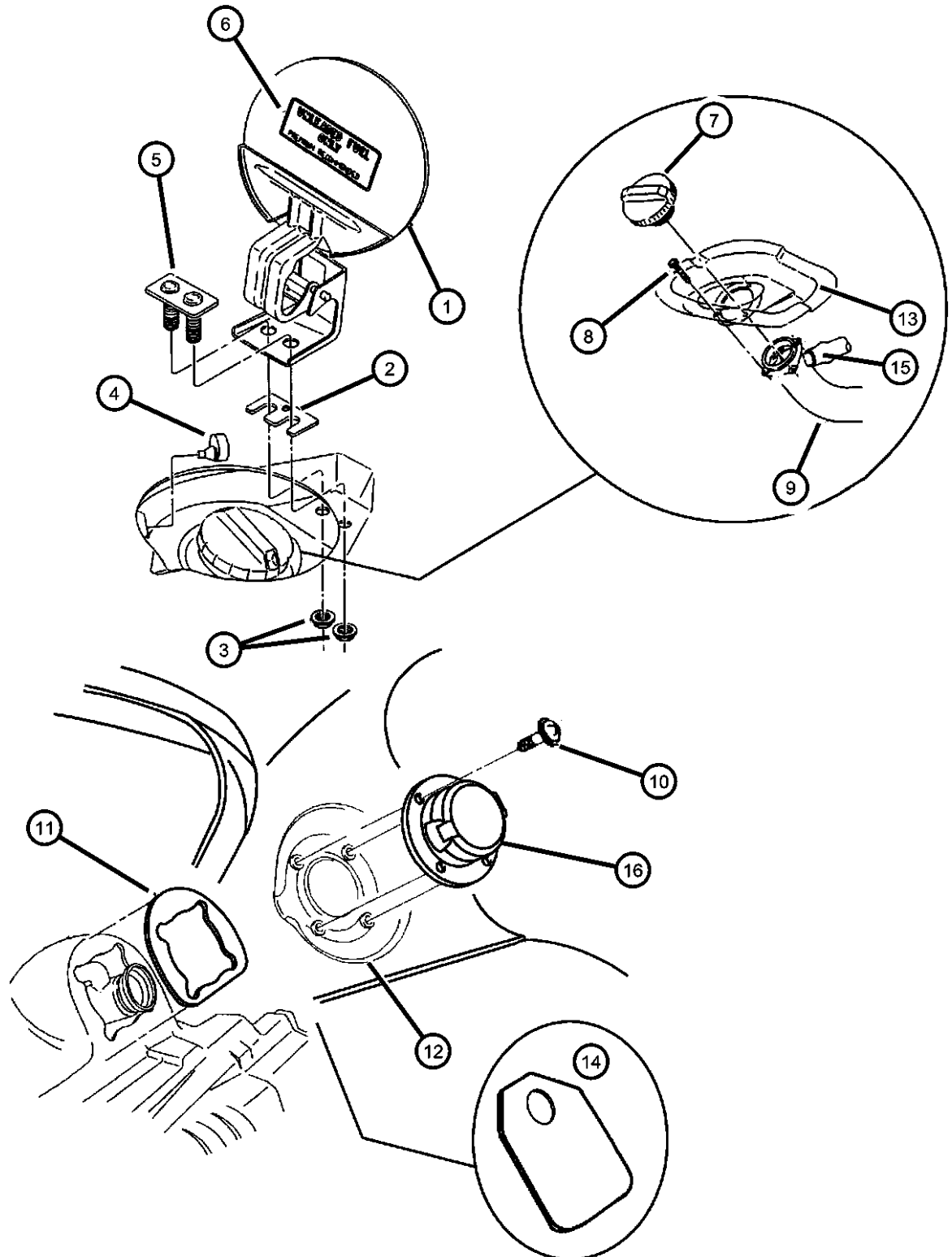
VIPER GTS COUPE,VIPER RT/10 ROADSTER (SR)

SERIES	LINE	BODY	ENGINE	TRANSMISSION
S = RT/10	D = DODGE	27 = 2-DR CONVERTIBLE	EWB = ENGINE - 8.0L V10	DEC = TRANSMISSION - 6-SPEED
S = GTS Coupe		29 = SPECIALTY COUPE	SFI	MANUAL
X = GTS/Lemans			EW0 = All 8.0L Gas	DBB = All Manual

AR = use ase required - = Non illustrated part

Fuel Filler Door
Figure SSR-1330

ITEM	PART NUMBER	QTY	LINE	SERIES	BODY	ENGINE	TRANS	TRIM	DESCRIPTION
1	04854334AA	1			27				DOOR, Fuel Fill
2	04643884	AR			27				SHIM, Fuel Filler Door
3									NUT AND WASHER, Hex, M5x.80
	06100046	2			27				
		3			29				
4	04763838	2			27				BUMPER, Fuel Door
5	04709364	1			27				PLATE AND SCREW, Fuel Filler Door
6	04708234	1			27				LABEL, Fuel
7	04848132	1							CAP, Fuel Filler, Non-Locking
8	04848132	1							SCREW, [.190-16x1.00], (NOT SERVICED)
9	04848132	1							TUBE, Fuel, Tank Filler (Reference Only), (NOT SERVICED)
10	06102004	4			29				SCREW, CAP, M8x1.25x26.8
11	05245877	1			29				SEAL, Truck Closeout, Trunk Closeout to Roof Filler SEAL
12	05245665	1			29				SEAL
13									SEAL, Fuel Filler Flange
	04643885	1			27				Fuel Filler
		2			29				Fuel Filler
14	04763476	1			27				SHIELD, Fuel Filler Door, Fuel Filler Paint Chip
15	04848956AA	1							TUBE, Drain
16	04763684AC	1			29				CAP, Fuel Filler



VIPER GTS COUPE,VIPER RT/10 ROADSTER (SR)

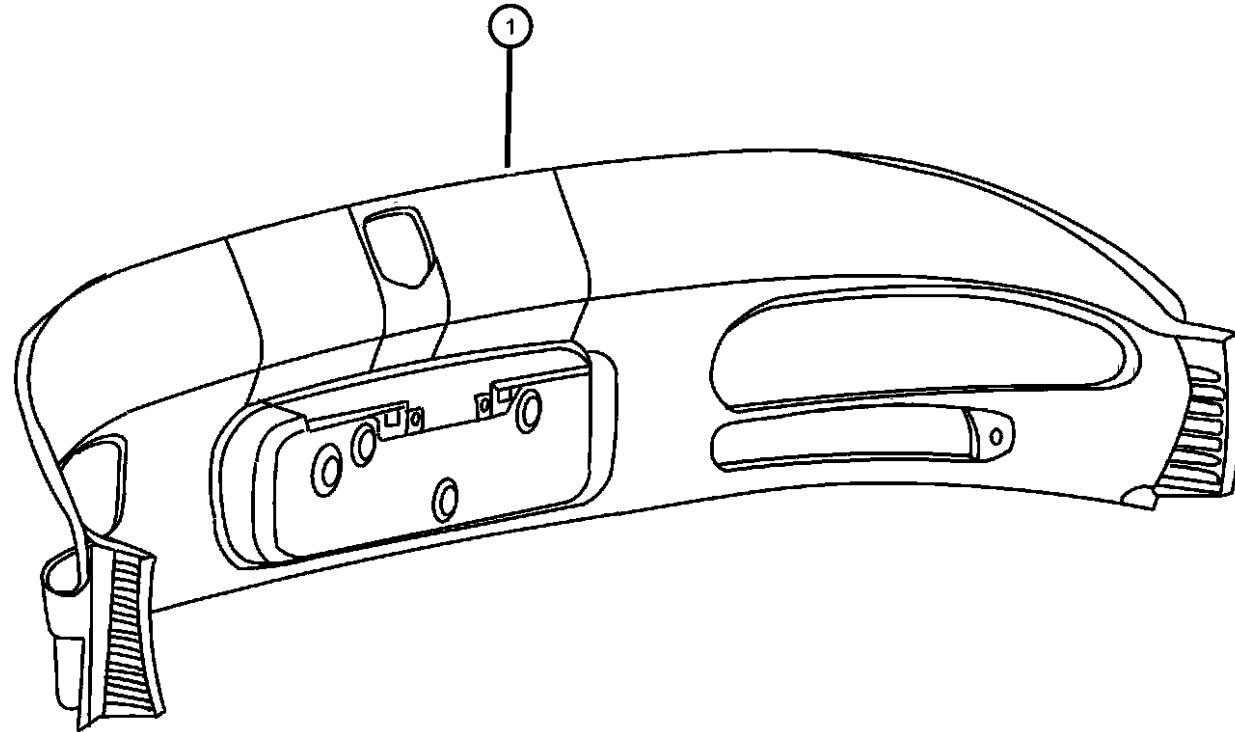
SERIES	LINE	BODY	ENGINE	TRANSMISSION
S = RT/10	D = DODGE	27 = 2-DR CONVERTIBLE	EWB = ENGINE - 8.0L V10	DEC = TRANSMISSION - 6-SPEED
S = GTS Coupe		29 = SPECIALTY COUPE	SFI	MANUAL
X = GTS/Lemans			EW0 = All 8.0L Gas	DBB = All Manual

AR = use ase required - = Non illustrated part

2000 SR

Rear Shelf Panel Viper, Coupe
Figure SSR-1410

ITEM	PART NUMBER	QTY	LINE	SERIES	BODY	ENGINE	TRANS	TRIM	DESCRIPTION
1	04883764AA	AR			29				PANEL, Rear Body
-2	04883765AA	1			29				COVER, Rear
-3	04886071AA	1			29				COVER, Lamp
-4	04763881	1			29				ISOLATOR, Roof to Rear Closure Panel
-5	04763881	1							SCREW, M6x1x20, (NOT SERVICED)



VIPER GTS COUPE,VIPER RT/10 ROADSTER (SR)

SERIES	LINE	BODY	ENGINE	TRANSMISSION
S = RT/10	D = DODGE	27 = 2-DR CONVERTIBLE	EWB = ENGINE - 8.0L V10	DEC = TRANSMISSION - 6-SPEED
S = GTS Coupe		29 = SPECIALTY COUPE	SFI	MANUAL
X = GTS/Lemans			EW0 = All 8.0L Gas	DBB = All Manual

AR = use ase required - = Non illustrated part

2000 SR