

VIN PLATE DECODING INFORMATION

1	2	3	4	5	6	7	8	9	10	11	12 thru 17
Country	Make	Vehicle Type	Other	Line	Series	Body Style	Engine	Check Digit	Model Year	Assy. Plant	Sequence No.

The following table interprets the VIN Plate position shown above.

Position	Interpretation	Codes = Description
1	Country of Origin	1 = Built in U.S. by DaimlerChrysler Corporation
2	Assembler	B = Dodge
3	Vehicle Type	3 = Passenger Car
4	GVWR & Pass. Safety	E = Restraint System Active Driver & Passenger Air Bag (CGW)
5	Vehicle Line	R = Viper
6	Series	6 = Viper RT/10 (D-27) 6 = Viper GTS-Coupe (D-29)
7	Body Style	9 = 2 Door Specialty Coupe 5 = Convertible - Open Body
8	Engine	E = 8.0L 10 Cylinder Aluminum Block (EWB)
9	Check Digit	0 = Check Digit 0 = Check Digit
10	Model Year	1 = 2001
11	Assembly Plant	V = New Mack Development Center
12 thru 17	Vehicle Build Sequence	Model Year Assembly Sequence

Group - 2

Front Suspension & Drive

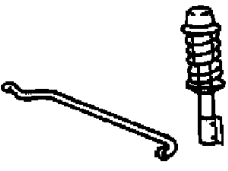
Group - 2 Front Suspension & Drive

Group-Fig. No.

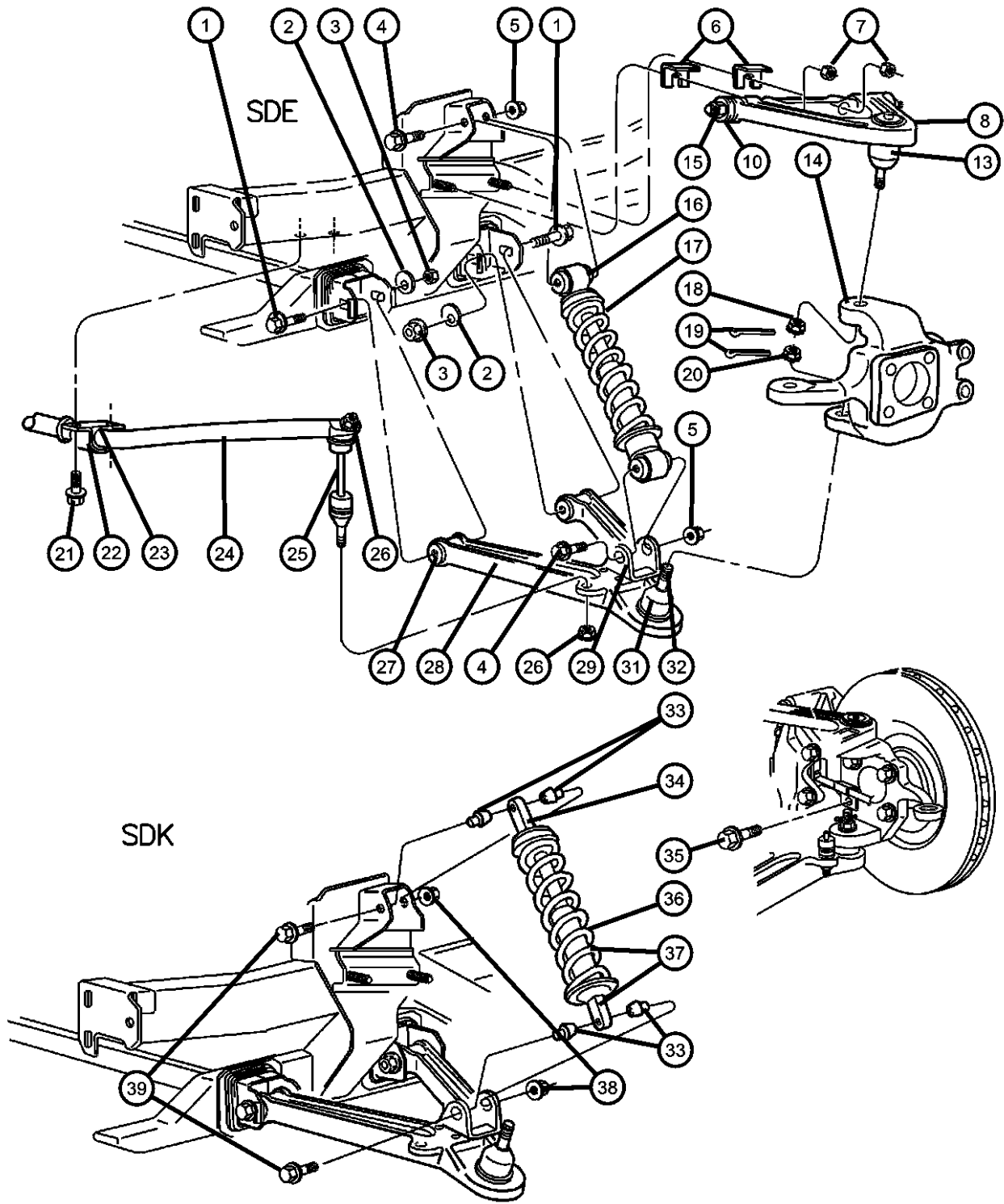
Illustration Title

Front Suspension

Suspension, Front..... Fig. 2 - 110

<p>002-100 Front Suspension</p> 			
---	--	--	--

Suspension, Front
Figure 2-110



ITEM	PART NUMBER	QTY	LINE	SERIES	BODY	ENGINE	TRANS	TRIM	DESCRIPTION
------	-------------	-----	------	--------	------	--------	-------	------	-------------

Note: SDE=Sport Suspension—SDK=Competition Suspension

1	06036300AA	4							BOLT, Control Arm Cam, LCA, Mounting
2	02269232	4							CAM, Front Suspension Control Arm, Adjusting, Lower
3	00152349	4							NUT, Hex, .50-20, LCA, Mounting
4	06100969	4							BOLT, Hex Flange Head, M14x2.00x90, [SDE] Shock Mounting, Upper or Lower
5	06502698	4							NUT, Hex Flange Lock, [SDE] Shock Mounting, Upper or Lower
6	04642056	4							SHIM, Control Arm, Front Adjusting, Upper
7	06036048AA	4							NUT, Hex Lock, .562 - 18, UCA to Frame Rail, Mounting
8	04709292	2							ARM, Control, Complete Assembly, Upper
-9	04848049	4							BUSHING, Control ArmUpper
10	04014175	4							WASHER, Control Arm PivotUpper
-11	03815704	4							RETAINER, Control Arm BushingUpper
-12	06030099	2							FITTING, Ball Joint, ZircUpper or Lower
13	52006405	1							SEAL, Ball JointUpper Control Arm
14									KNUCKLE, Front
	05264871AA	1							Left
	05264874AA	1							Right
15	06036048AA	4							NUT, Hex Lock, .562 - 18, Pivot Bar Mounting, Upper Control Arm
16	04848641	2							SHOCK ABSORBER, Suspension, Front, [SDE], Right or Left
17	04873102	2							SPRING, Front Suspension Coil, [SDE], Right or Left
18	06035641	2							NUT, Hex, .625-18, Upper Ball Joint to knuckle, Mounting
19	00120123	2							PIN, Cotter, Ball Joint Mounting, Upper or Lower
20	06035670	4							NUT, Hex, Lower Ball Joint to Knuckle, Mounting
21	06035670	4							SCREW AND WASHER, Hex Head, M10-1.50x30, (NOT SERVICED)
22	04404219	2							RETAINER, Stabilizer Bar Grommet
23	04643004	2							BUSHING, Stabilizer Bar
24	04848105	1							STABILIZER BAR, Front

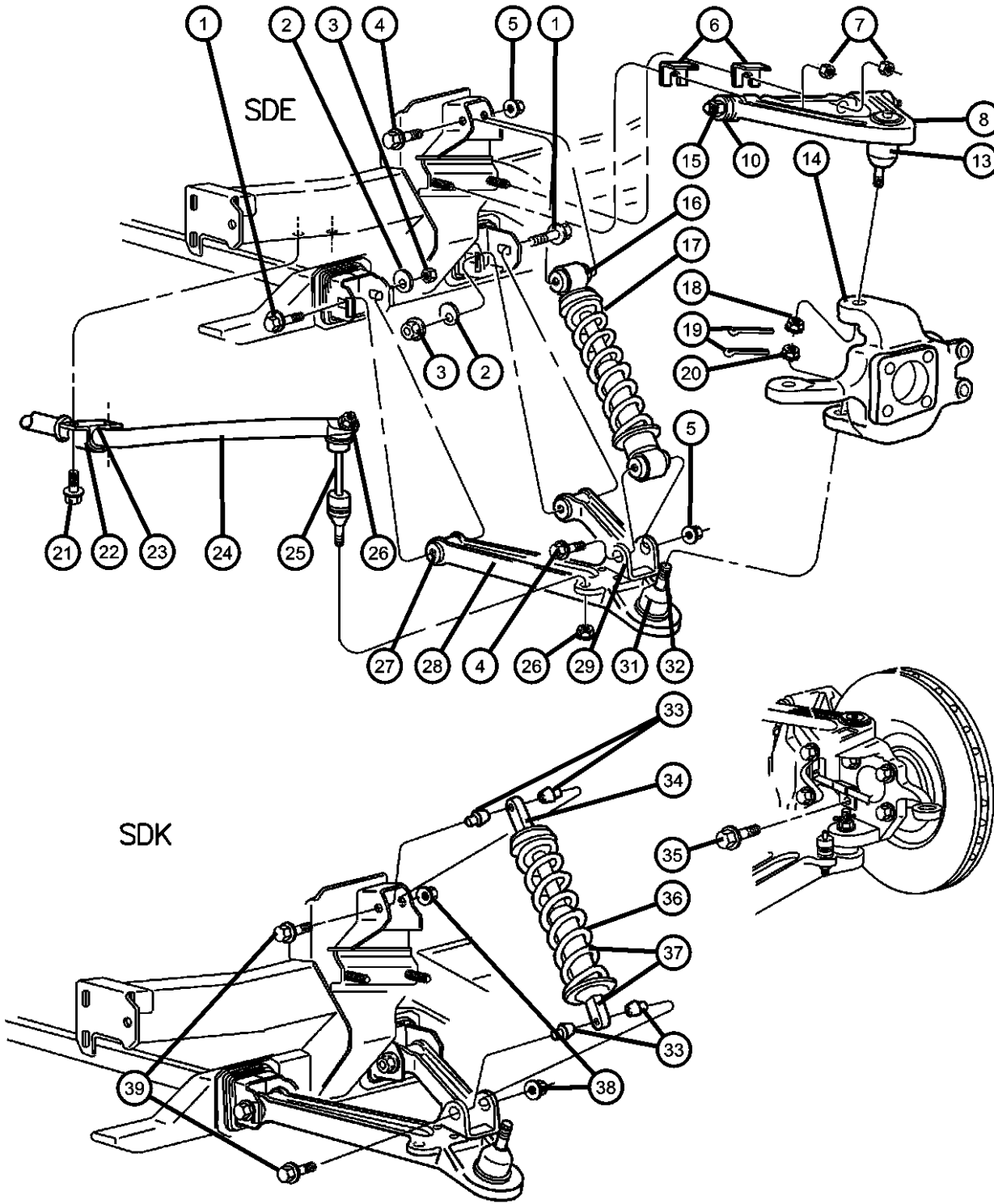
VIPER GTS COUPE,VIPER RT/10 ROADSTER (SR)

SERIES	LINE	BODY	ENGINE	TRANSMISSION
S = RT/10	D = DODGE	27 = 2-DR CONVERTIBLE	EWB = Engine - 8.0L V10 SFI	DEC = 6-Speed Manual
S = GTS Coupe		29 = SPECIALTY COUPE	EW0 = All 8.0L Gas	DBB = All Manual
X = GTS/Lemans				

AR = use ase required - = Non illustrated part

2001 SR

Suspension, Front
Figure 2-110



ITEM	PART NUMBER	QTY	LINE	SERIES	BODY	ENGINE	TRANS	TRIM	DESCRIPTION
25	04763147	2							LINK, Sway Eliminator, Complete Assembly
26									NUT, Hex, M10-1.5
	06502556	2							Sway Bar Link to Sway Bar
		2							Sway Bar Link to LCA
27	04848050	2							BUSHING, Control ArmLower
28									ARM, Control
	04709296	1							Complete Assembly, Lower Right
	04709297	1							Complete Assembly, Lower Left
29									BRACKET, Shock Mounting
	04709298	1							Right
	04709299	1							Left
-30	06502696	3							NUT, Hex Flange Lock, M10x1.5, Shock Mounting Bracket, Mounting
31	52006404	1							SEAL, Ball JointLower Control Arm
32	52006404	1							BALL JOINT, Lower Control Arm, Serviced with Control Arm, (NOT SERVICED)
33	05264847AB	8							SPACER, Shock Absorber Bushing
34									SHOCK ABSORBER, Suspension, Front
	05264922AA	1							DSI with Reservoir, without Coil Spring [SDK], Right
	05290073AA	1			29				DSI with Reservoir, without Coil Spring [SDK], Left
	05290556AA	1							DSI with Reservoir, with Coil Spring [SDK], Right
	05290916AA	1			29				DSI with Reservoir, with Coil Spring [SDK], Left
35	06502136	2							BOLT, Hex Flange Head, M10x1.50x55, Brake Line to Knuckle Attaching, Right or Left
36	05264923AA	1							SPRING, Front Suspension Coil, [SDK] Spring Only, Right or Left
37									SHOCK ABSORBER, Suspension, Front
	05290556AA	1							[SDK] Shock with Coil Spring, Right
	05290916AA	1			29				[SDK] Shock with Coil Spring, Left
38	06036253AA	4							NUT, Shock Mounting, Upper or Lower
39	06036254AA	4							SCREW, Shock Mounting, Upper or Lower

VIPER GTS COUPE,VIPER RT/10 ROADSTER (SR)

SERIES	LINE	BODY	ENGINE	TRANSMISSION
S = RT/10	D = DODGE	27 = 2-DR CONVERTIBLE	EWB = Engine - 8.0L V10 SFI	DEC = 6-Speed Manual
S = GTS Coupe		29 = SPECIALTY COUPE	EW0 = All 8.0L Gas	DBB = All Manual
X = GTS/Lemans				

AR = use ase required - = Non illustrated part

Group - 3

Rear Axle

Group - 3 Rear Axle

Group-Fig. No.

Illustration Title

Rear Axle

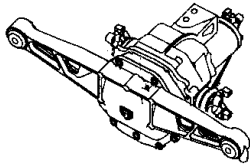
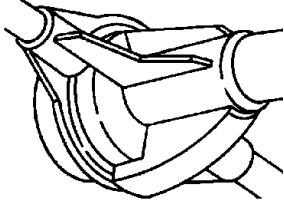
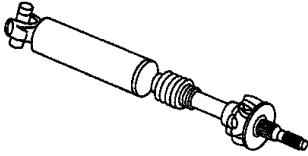
Axle Assembly, Rear Fig. 3 - 110

Differential and Housing

Differential Assembly, Rear Fig. 3 - 210

Rear Axle Shafts

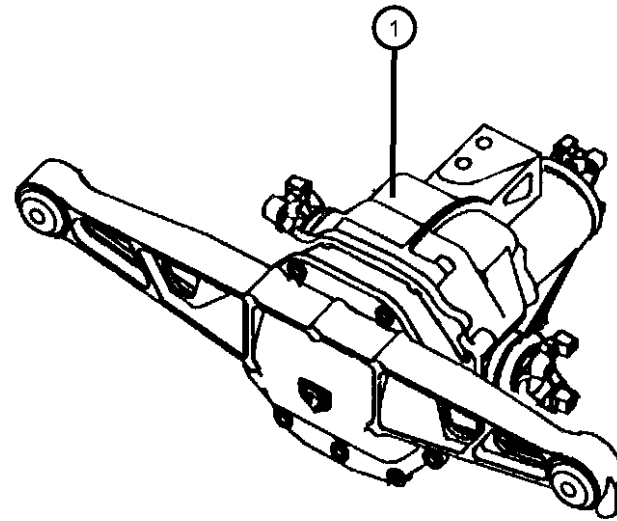
Shaft, Rear Axle Fig. 3 - 410

<p>003-100 Rear Axle</p> 	<p>003-200 Differential and Housing</p> 	<p>003-400 Rear Axle Shafts</p> 	
--	--	---	--

Axle Assembly, Rear
Figure 3-110

ITEM	PART NUMBER	QTY	LINE	SERIES	BODY	ENGINE	TRANS	TRIM	DESCRIPTION
------	-------------	-----	------	--------	------	--------	-------	------	-------------

1	04763897AC 04874469 68003055AA	1							DIFFERENTIAL, Rear Axle Mopar SAE 75W-140 Synthetic Gear and Axle Lube Quart Mopar SAE 75W-140 Synthetic Gear and Axle Lube 16 Gallon Keg
---	--------------------------------------	---	--	--	--	--	--	--	---



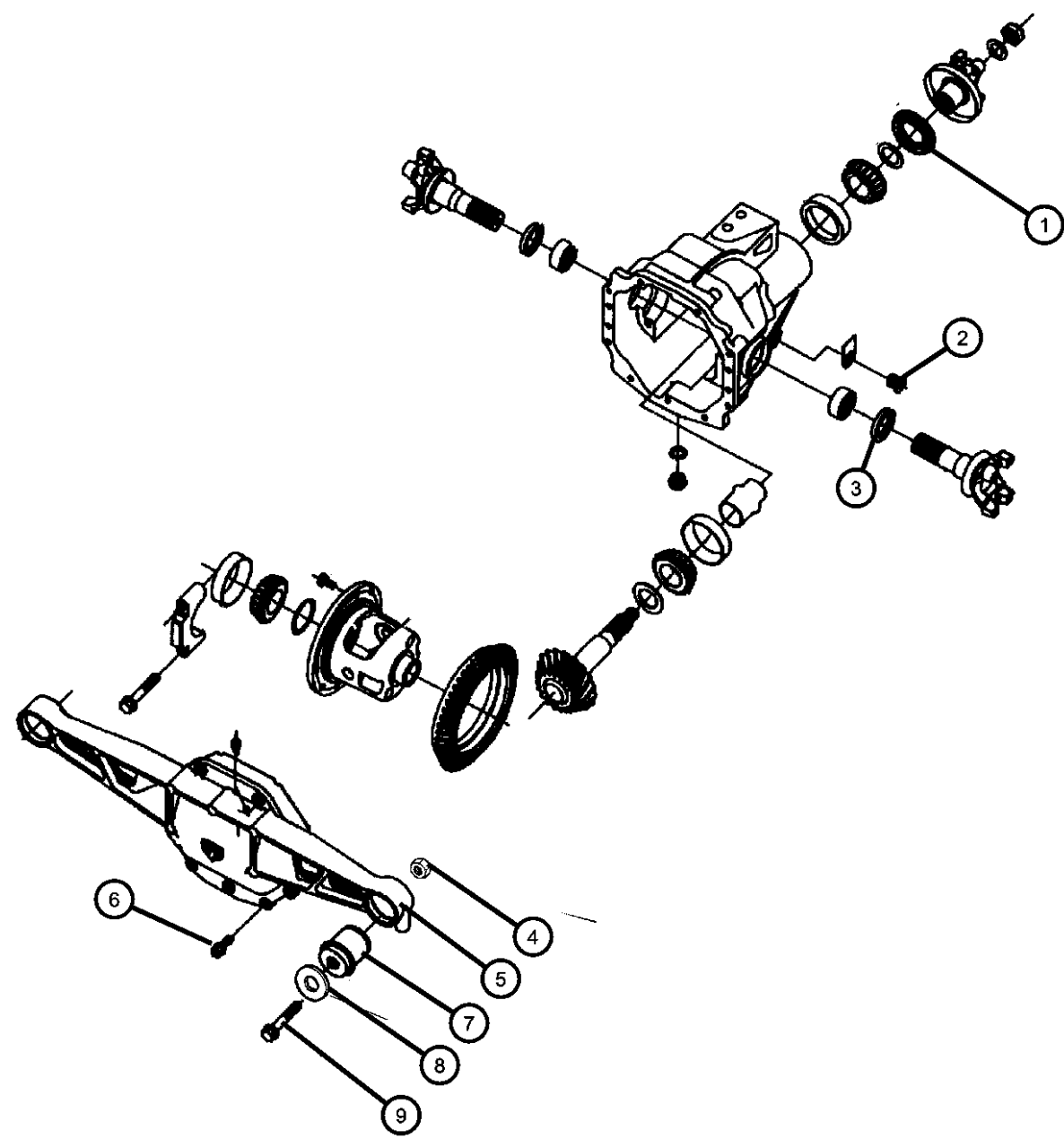
VIPER GTS COUPE,VIPER RT/10 ROADSTER (SR)

SERIES	LINE	BODY	ENGINE	TRANSMISSION
S = RT/10	D = DODGE	27 = 2-DR CONVERTIBLE	EWB = Engine - 8.0L V10 SFI	DEC = 6-Speed Manual
S = GTS Coupe		29 = SPECIALTY COUPE	EW0 = All 8.0L Gas	DBB = All Manual
X = GTS/Lemans				

AR = use ase required - = Non illustrated part

Differential Assembly, Rear
Figure 3-210

ITEM	PART NUMBER	QTY	LINE	SERIES	BODY	ENGINE	TRANS	TRIM	DESCRIPTION
1	05019843AA	1							SEAL, Drive PinionFront
2	04626710	1							PLUG, Differential Housing, Filler
3	04626696	2							SEAL, Axle Drive Shaft
4	06100520	2							NUT, Hex Flange Head Locking, M14x2, Differential, Mounting
5	05012937AA	1							COVER, Differential
6	04626709	9							BOLT, Differential Cover
7	04626738AB	2							BUSHING, Axle Mount
8	06506890AA	2							WASHER, Flat, Differential, Mounting
9	06100468	2							BOLT, Hex Head, M16x95, Differential, Mounting
-10	06502578	2							BOLT AND WASHER, Hex Head, M14 x 2.00 x 200.00, Crossmember to Differential, Mounting
-11	06506890AA	2							WASHER, Flat, Crossmember to Differential, Mounting
-12	06100520	2							NUT, Hex Flange Head Locking, M14x2, Crossmember to Differential, Mounting
-13	04626707	2							RING, Axle Shaft, Snap



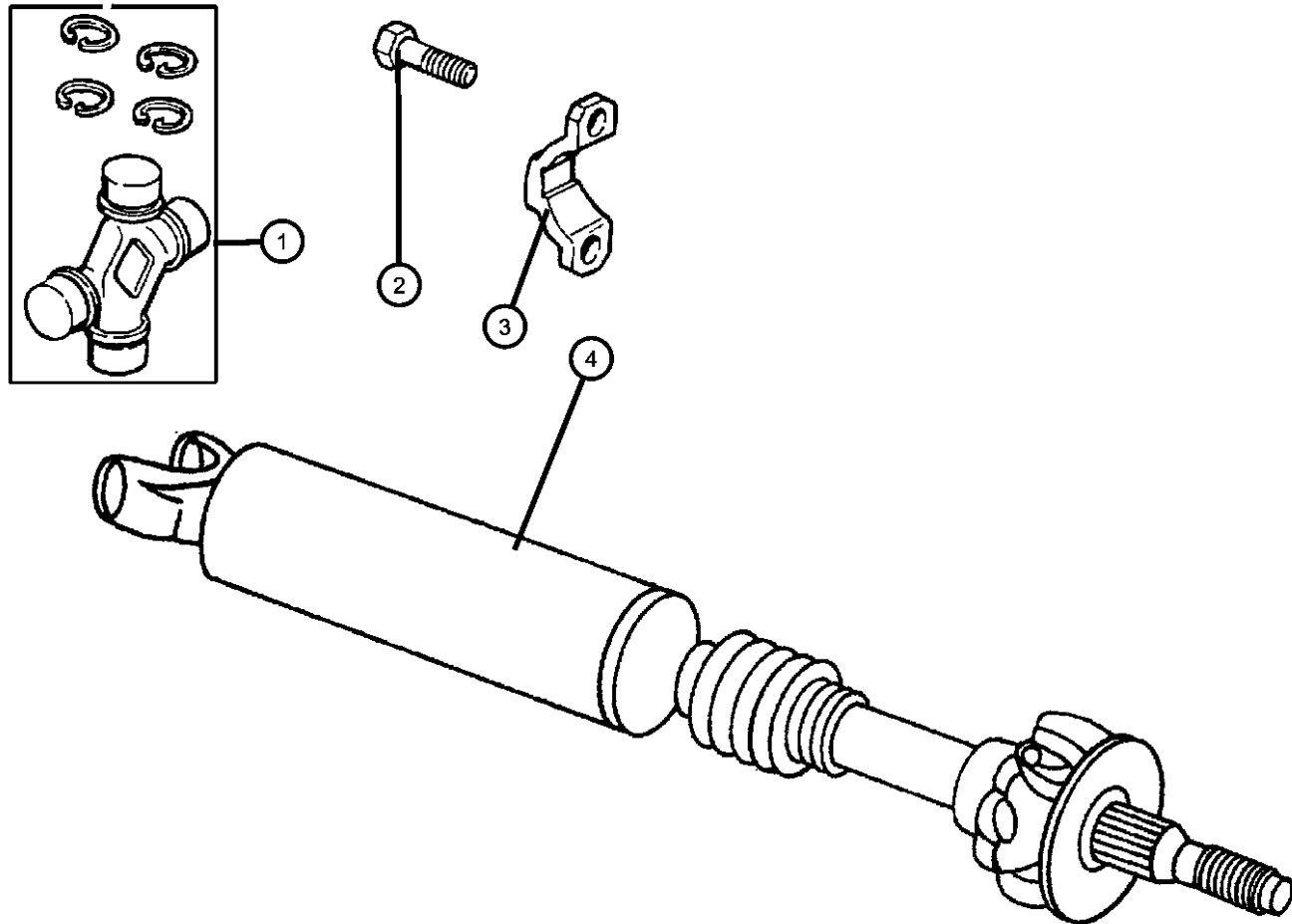
VIPER GTS COUPE,VIPER RT/10 ROADSTER (SR)

SERIES	LINE	BODY	ENGINE	TRANSMISSION
S = RT/10	D = DODGE	27 = 2-DR CONVERTIBLE	EWB = Engine - 8.0L V10 SFI	DEC = 6-Speed Manual
S = GTS Coupe		29 = SPECIALTY COUPE	EW0 = All 8.0L Gas	DBB = All Manual
X = GTS/Lemans				

AR = use ase required - = Non illustrated part

Shaft, Rear Axle
Figure 3-410

ITEM	PART NUMBER	QTY	LINE	SERIES	BODY	ENGINE	TRANS	TRIM	DESCRIPTION
1	04797307AB	4							U JOINT
2	06502581	12							BOLT, Hex Flange Head, M8x1.0x19
3	04428723	6							CLAMP, U-Joint
4	04763676AB	2							SHAFT, Axle Half



VIPER GTS COUPE,VIPER RT/10 ROADSTER (SR)

SERIES	LINE	BODY	ENGINE	TRANSMISSION
S = RT/10	D = DODGE	27 = 2-DR CONVERTIBLE	EWB = Engine - 8.0L V10 SFI	DEC = 6-Speed Manual
S = GTS Coupe		29 = SPECIALTY COUPE	EW0 = All 8.0L Gas	DBB = All Manual
X = GTS/Lemans				

AR = use ase required - = Non illustrated part

2001 SR

Group - 4

Parking Brake

Group - 4 Parking Brake

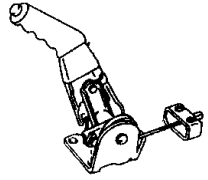
Group-Fig. No.

Illustration Title

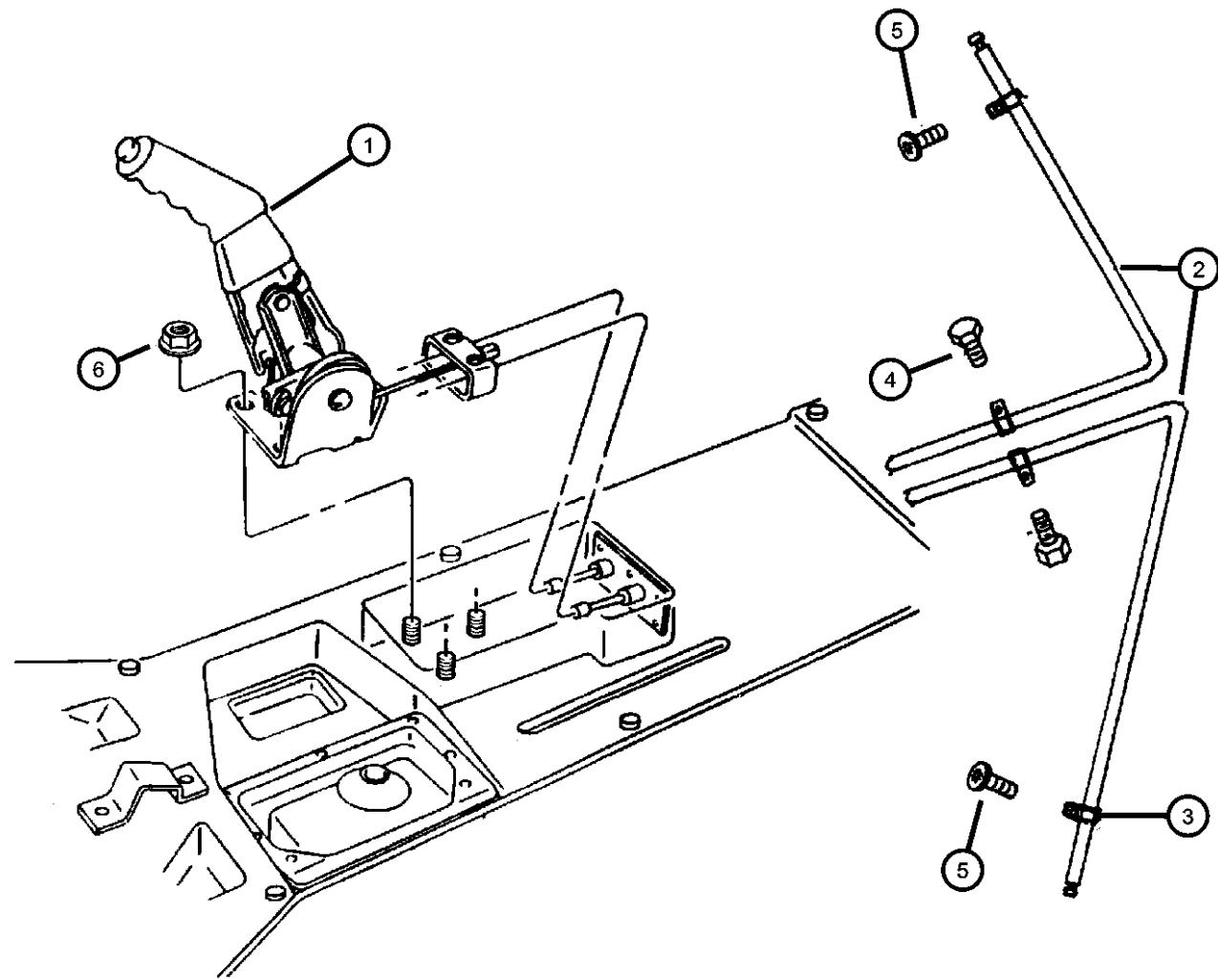
Parking Brake Lever and Cables

Lever Assembly And Cables Parking Brake Fig. 4 - 110

004-100
Parking Brake Lever and Cables



Lever Assembly And Cables Parking Brake
Figure 4-110



ITEM	PART NUMBER	QTY	LINE	SERIES	BODY	ENGINE	TRANS	TRIM	DESCRIPTION
1	0SM741X9AA	1							LEVER, Park Brake [X9]
	0SM74WU-CAA	1							[XU]
2	04763181	2							CABLE, Parking Brake
3	04763181	2							CLIP, (Serviced in Item #2) ***, (NOT SERVICED)
4	04763181	2							SCREW, Tap/Hex Flg Hd Type Serrations .250-14x.875, (NOT SERVICED)
5	06100575	2							BOLT AND CONED WASHER, Hex Head, M8x25x17
6	06101445	3							NUT AND WASHER, Hex Nut-Coned Washer, M8 x 1.25

VIPER GTS COUPE,VIPER RT/10 ROADSTER (SR)

SERIES	LINE	BODY	ENGINE	TRANSMISSION
S = RT/10	D = DODGE	27 = 2-DR CONVERTIBLE	EWB = Engine - 8.0L V10 SFI	DEC = 6-Speed Manual
S = GTS Coupe		29 = SPECIALTY COUPE	EW0 = All 8.0L Gas	DBB = All Manual
X = GTS/Lemans				

AR = use ase required - = Non illustrated part

Group - 5

Service Brakes

Group - 5 Service Brakes

Group-Fig. No.

Illustration Title

Front Brakes

Brakes, Front Fig. 5 - 110

Rear Brakes

Brakes, Rear..... Fig. 5 - 210

Power Brake Booster

Booster, Power Brake..... Fig. 5 - 310

Brake Master Cylinder

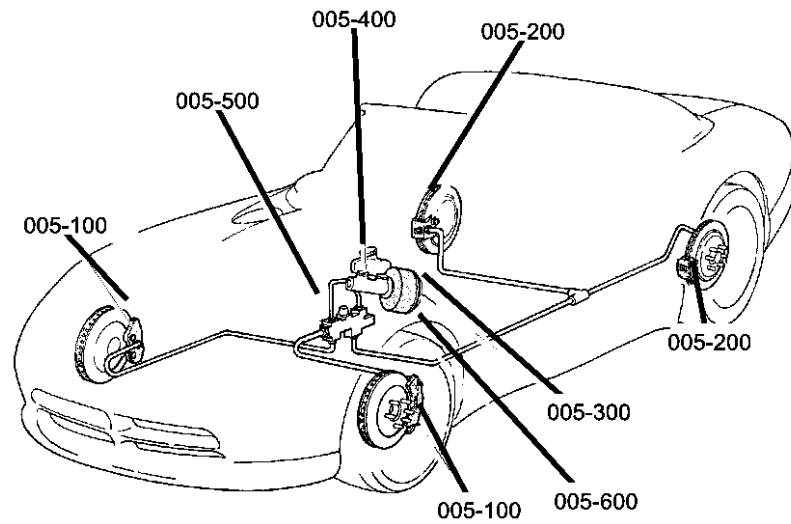
Master Cylinder, Brake..... Fig. 5 - 410

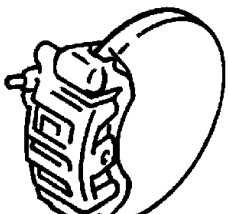
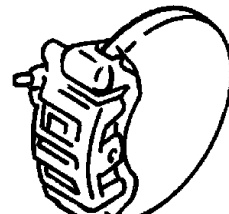
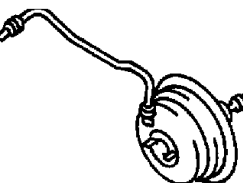
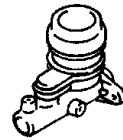
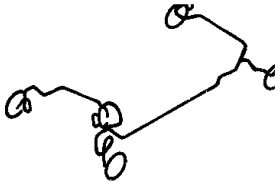

Brake Lines and Hoses

Lines And Hoses, Brake Fig. 5 - 510

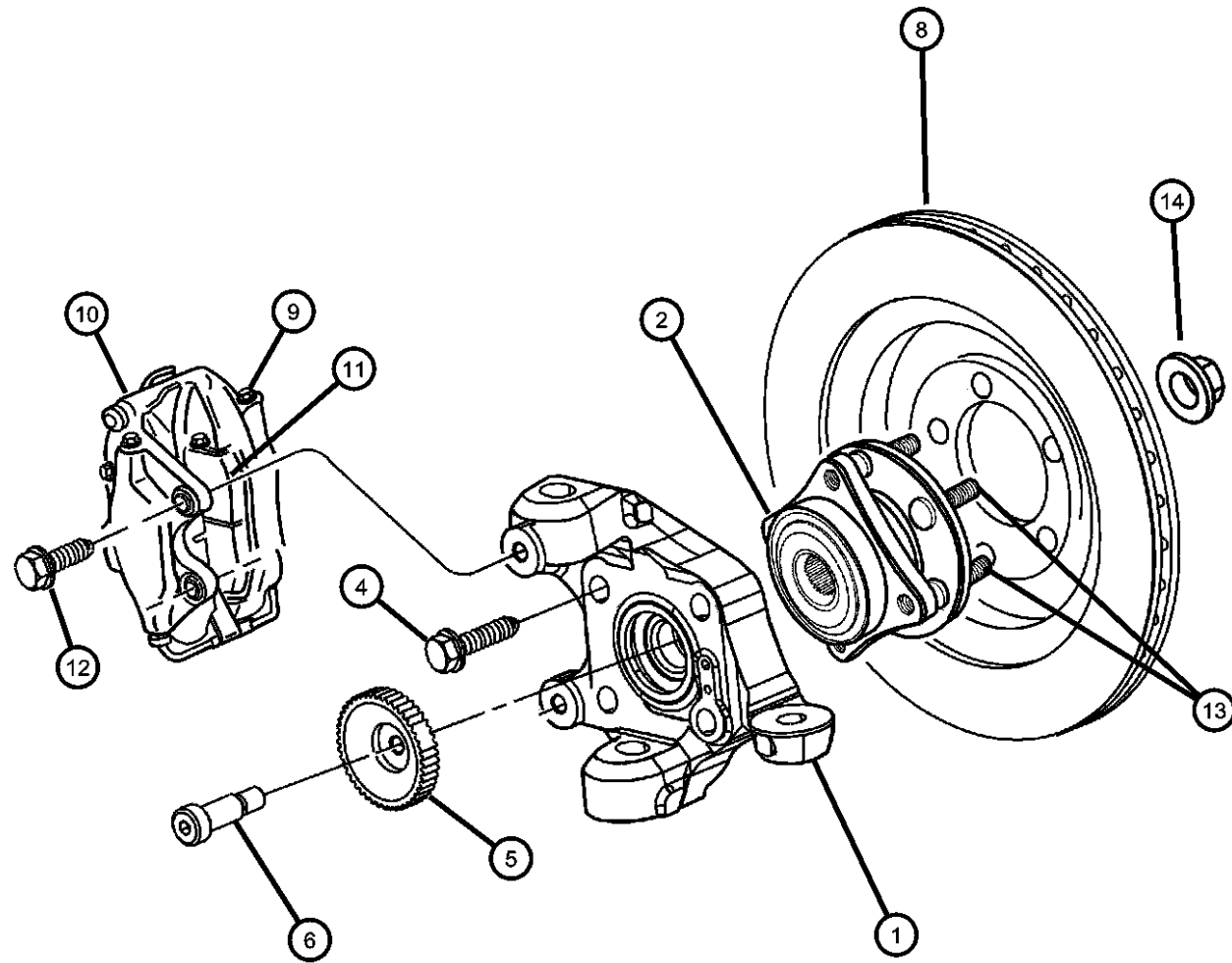
Brake Pedals

Pedal, Brake..... Fig. 5 - 610



<p>005-100 Front Brakes</p> 	<p>005-200 Rear Brakes</p> 	<p>005-300 Power Brake Booster</p> 	<p>005-400 Brake Master Cylinder</p> 
<p>005-500 Brake Lines and Hoses</p> 	<p>005-600 Brake Pedals</p> 		

Brakes, Front
Figure 5-110



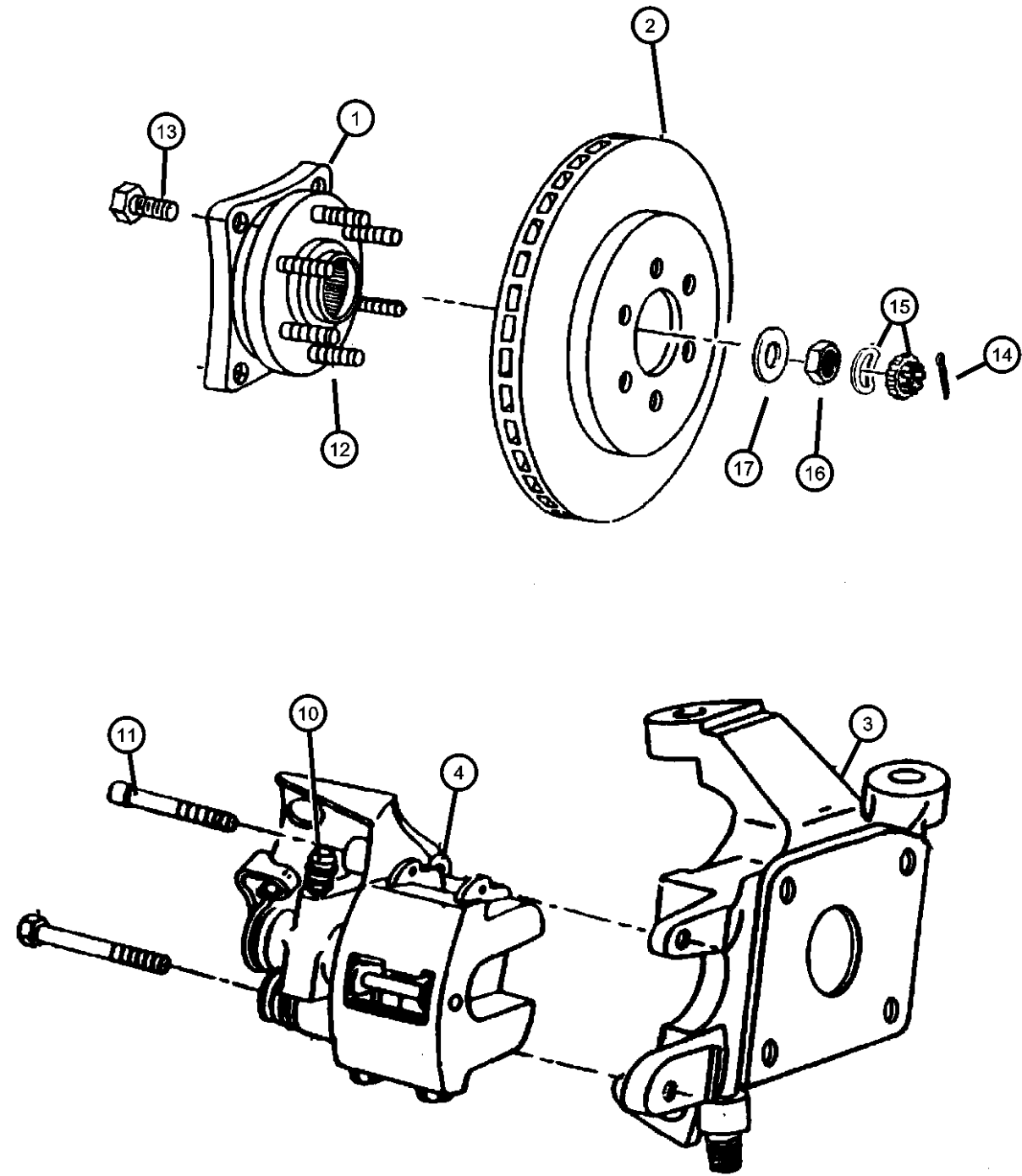
ITEM	PART NUMBER	QTY	LINE	SERIES	BODY	ENGINE	TRANS	TRIM	DESCRIPTION
1									KNUCKLE, Front
	05264871AA	1							Left
	05264874AA	1							Right
2	04763182AB	1							BEARING
-3	04848166	1							GASKET, Front Wheel Bearing
4	06502136	3							BOLT, Hex Flange Head, M10x1.50x55Knuckle/Hub Assembly
5	04854411AA	2							RING, Tone
6	05290042AA	2							BOLT, Tone Wheel Retainer
-7	05290695AA	1							SEAL, Tone Wheel
8	04642122	2							ROTOR, Brake
9	04642122	2							BLEEDER SCREW PKG, BRAKE, (NOT SERVICED)
10									CALIPER, Disc Brake
	04723573	1							Right
	04723572	1							Left
11	04897218AB	1							PAD KIT, Front Disc Brake
12	06101964	4							SCREW AND WASHER, Hex Head, M12x1.75x40, Caliper to Knuckle
13	06033702	6							BOLT, D Head, .50-20x2.00
14	06502294	2							NUT, Hex Flange, M22x1.25
-15	04723459	1							PLATE, Brake Torque
-16									PISTON PACKAGE, Disc Brake
	04723455	1							(Piston,Boot,Seal), Right
	04723456	1							(Piston,Boot,Seal), Left
-17	04854412AA	2							SENSOR, Anti-Lock Brakes

VIPER GTS COUPE,VIPER RT/10 ROADSTER (SR)

SERIES	LINE	BODY	ENGINE	TRANSMISSION
S = RT/10	D = DODGE	27 = 2-DR CONVERTIBLE	EWB = Engine - 8.0L V10 SFI	DEC = 6-Speed Manual
S = GTS Coupe		29 = SPECIALTY COUPE	EW0 = All 8.0L Gas	DBB = All Manual
X = GTS/Lemans				

AR = use ase required - = Non illustrated part

Brakes, Rear
Figure 5-210



ITEM	PART NUMBER	QTY	LINE	SERIES	BODY	ENGINE	TRANS	TRIM	DESCRIPTION
1	04848716	1							HUB AND BEARING, Brake
2	04642353	2							ROTOR, Brake
3									KNUCKLE, Rear
	05290020AA	1							Right
	05290021AA	1							Left
4									CALIPER, Disc Brake, Rear
	05066471AA	1							Right
	05066483AA	1							Left
-5	05066472AA	1							PISTON KIT, Front Brake, Contains, Piston, Boot, Seal
-6	05066478AA	4							PAD KIT, Rear Disc Brake
-7	05066473AA	1							BOOT AND SEAL, Disc Brake
-8	05066476AA	2							PIN KIT, Disc Brake, Contains; Pin, Boot, Hex Bolt
-9	05066479AA	1							BRACKET, Brake Caliper
10	05066474AA	1							BLEEDER SCREW, Brake
11	06101964	4							SCREW AND WASHER, Hex Head, M12x1.75x40
12	06033702	6							BOLT, D Head, .50-20x2.00
13	06035642	4							SCREW AND WASHER, Hex Head Locking, .50-20x2.25 Grade 8
14	06500336	2							PIN, Cotter, M5x36.00
15	04293167	2							NUT AND WASHER PACKAGE, Front Hub
16	06502294	2							NUT, Hex Flange, M22x1.25
17	06502293	2							WASHER, Flat, M23x43x4
-18	04854414AA	2							SENSOR, Anti-Lock BrakesRear

VIPER GTS COUPE,VIPER RT/10 ROADSTER (SR)

SERIES	LINE	BODY	ENGINE	TRANSMISSION
S = RT/10	D = DODGE	27 = 2-DR CONVERTIBLE	EWB = Engine - 8.0L V10 SFI	DEC = 6-Speed Manual
S = GTS Coupe		29 = SPECIALTY COUPE	EW0 = All 8.0L Gas	DBB = All Manual
X = GTS/Lemans				

AR = use ase required - = Non illustrated part

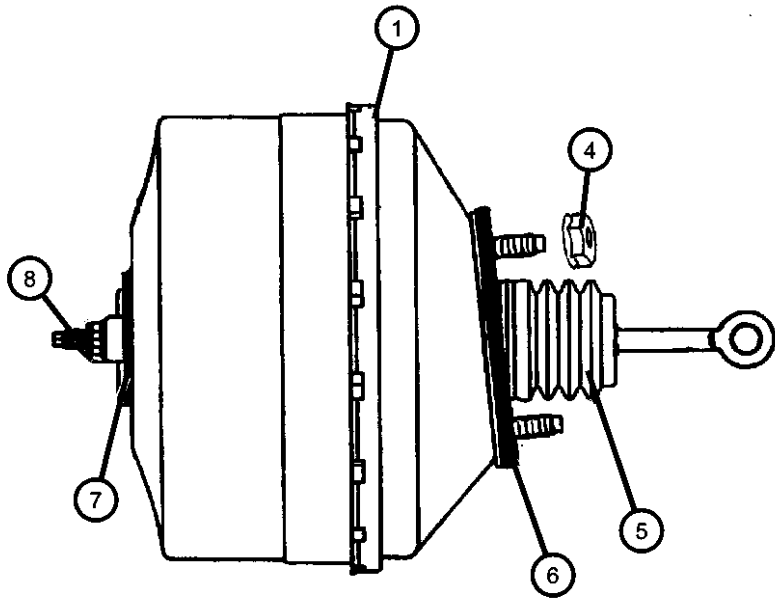
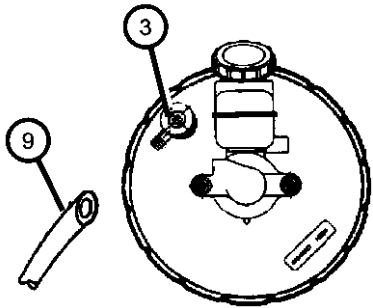
Booster, Power Brake

Figure 5-310

ITEM	PART NUMBER	QTY	LINE	SERIES	BODY	ENGINE	TRANS	TRIM	DESCRIPTION
------	-------------	-----	------	--------	------	--------	-------	------	-------------

Sales Code EWB= 8.0L V10 SFI

1	04763952AB	1							BOOSTER, Power Brake
-2	04883813AA	1							GROMMET, Brake Booster Check Valve
3	04485530	1							CHECK VALVE, Brake Booster
4	06101445	2							NUT AND WASHER, Hex Nut-Coned Washer, M8 x 1.25
5	05066435AA	1							BOOT, Brake Booster Push Rod
6	04723642	1							SEAL, Brake Booster To Dash
7	04723395	1							GASKET, Brake Master Cylinder
8	04723395	1							NUT, Hex Lock, M8x1.25, (NOT SERVICED)
9	04848345AB	1							HOSE, Vacuum Supply, 11/32 rough stock
-10	J4003909	2							NUT, Hex Flange With Serration, .375-16 Booster Attch



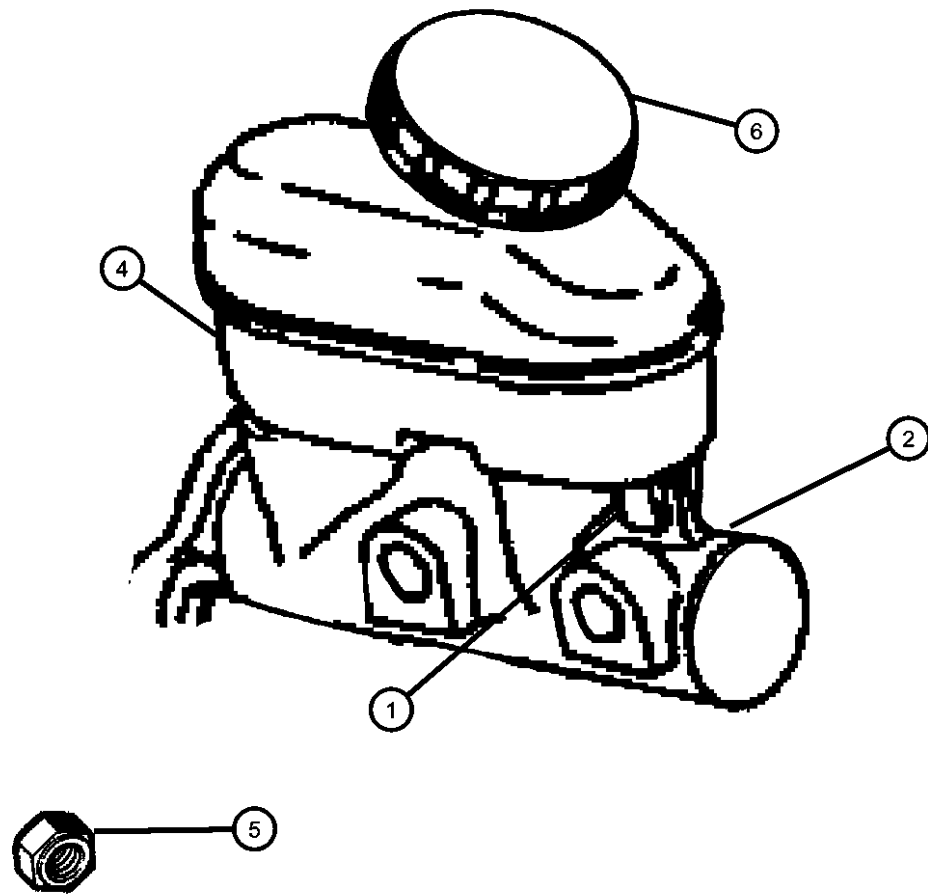
VIPER GTS COUPE,VIPER RT/10 ROADSTER (SR)

SERIES	LINE	BODY	ENGINE	TRANSMISSION
S = RT/10	D = DODGE	27 = 2-DR CONVERTIBLE	EWB = Engine - 8.0L V10 SFI	DEC = 6-Speed Manual
S = GTS Coupe		29 = SPECIALTY COUPE	EW0 = All 8.0L Gas	DBB = All Manual
X = GTS/Lemans				

AR = use ase required - = Non illustrated part

**Master Cylinder, Brake
Figure 5-410**

ITEM	PART NUMBER	QTY	LINE	SERIES	BODY	ENGINE	TRANS	TRIM	DESCRIPTION
1	04723394	1							PIN, Master Cylinder Reservoir
2	05290027AA	1							MASTER CYLINDER, Brake
-3	04723389	1							GROMMET, Master Cylinder Reservoir
4	05066432AA	1							RESERVOIR, Brake Master Cylinder
5	05066432AA	1							NUT, Hex Lock, M8x1.25, (NOT SERVICED)
6	04683656	1							CAP, Master Cylinder Reservoir

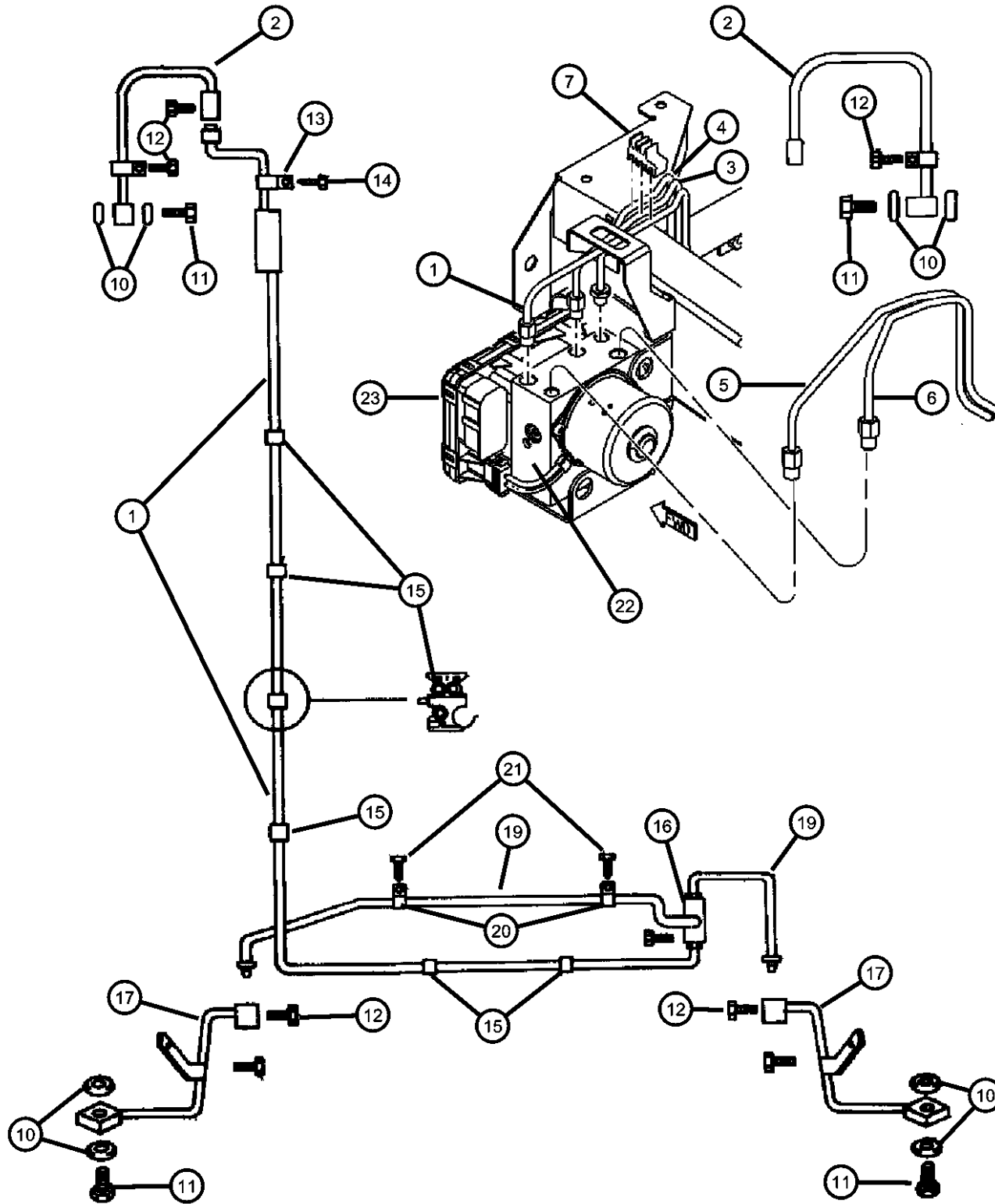


VIPER GTS COUPE,VIPER RT/10 ROADSTER (SR)

SERIES	LINE	BODY	ENGINE	TRANSMISSION
S = RT/10	D = DODGE	27 = 2-DR CONVERTIBLE	EWB = Engine - 8.0L V10 SFI	DEC = 6-Speed Manual
S = GTS Coupe		29 = SPECIALTY COUPE	EW0 = All 8.0L Gas	DBB = All Manual
X = GTS/Lemans				

AR = use ase required - = Non illustrated part

Lines And Hoses, Brake
Figure 5-510



ITEM	PART NUMBER	QTY	LINE	SERIES	BODY	ENGINE	TRANS	TRIM	DESCRIPTION
1	05264884AA	1							TUBE, Brake
2	04763154AB	1							HOSE, Front Wheel Disc Right
	04763155AB	1							Left
3	05264866AA	1							TUBE, Brake, FrontRight
4	05264867AA	1							TUBE, Brake, FrontLeft
5	05264868AB	1							TUBE, Brake, Master Cylinder to ABS Front
6	05264869AB	1							TUBE, Brake, Master Cylinder to ABS Rear
7	05290071AA	1							CLIP, Brake Tube
-8	02207919	1							CLIP, Parking Brake Cable
-9	04854412AA	2							SENSOR, Anti-Lock BrakesFront
10	06502114	8							WASHER, Brake Hose
11	06503805	2							BOLT, Hex Head, M10x1.0x21.75
12	06100575	4							BOLT AND CONED WASHER, Hex Head, M8x25x17
13	03404625	1							CLIP, Tube
14	03404625	1							BOLT, Hex Head, M8x14, (NOT SERVICED)
15	05264859AB	5							CLIP, Fuel Bundle
16	01141472	1							TEE, Brake Tube
17									HOSE, Brake, Rear Right
	05290068AB	1							Left
	05290069AB	1							
-18	04854414AA	2							SENSOR, Anti-Lock BrakesRear
19									TUBE, Brake, Rear Right
	04763678AB	1							Left
	04763679AB	1							
20	03404625	1							CLIP, Tube
21	03404625	1							SCREW, [.250-14X.875], (NOT SERVICED)
22	05016566AA	1							HYDRAULIC CONTROL UNIT, Anti-Lock Brake System
23	05017905AA	1							MODULE, Anti-Lock Brake System

VIPER GTS COUPE,VIPER RT/10 ROADSTER (SR)

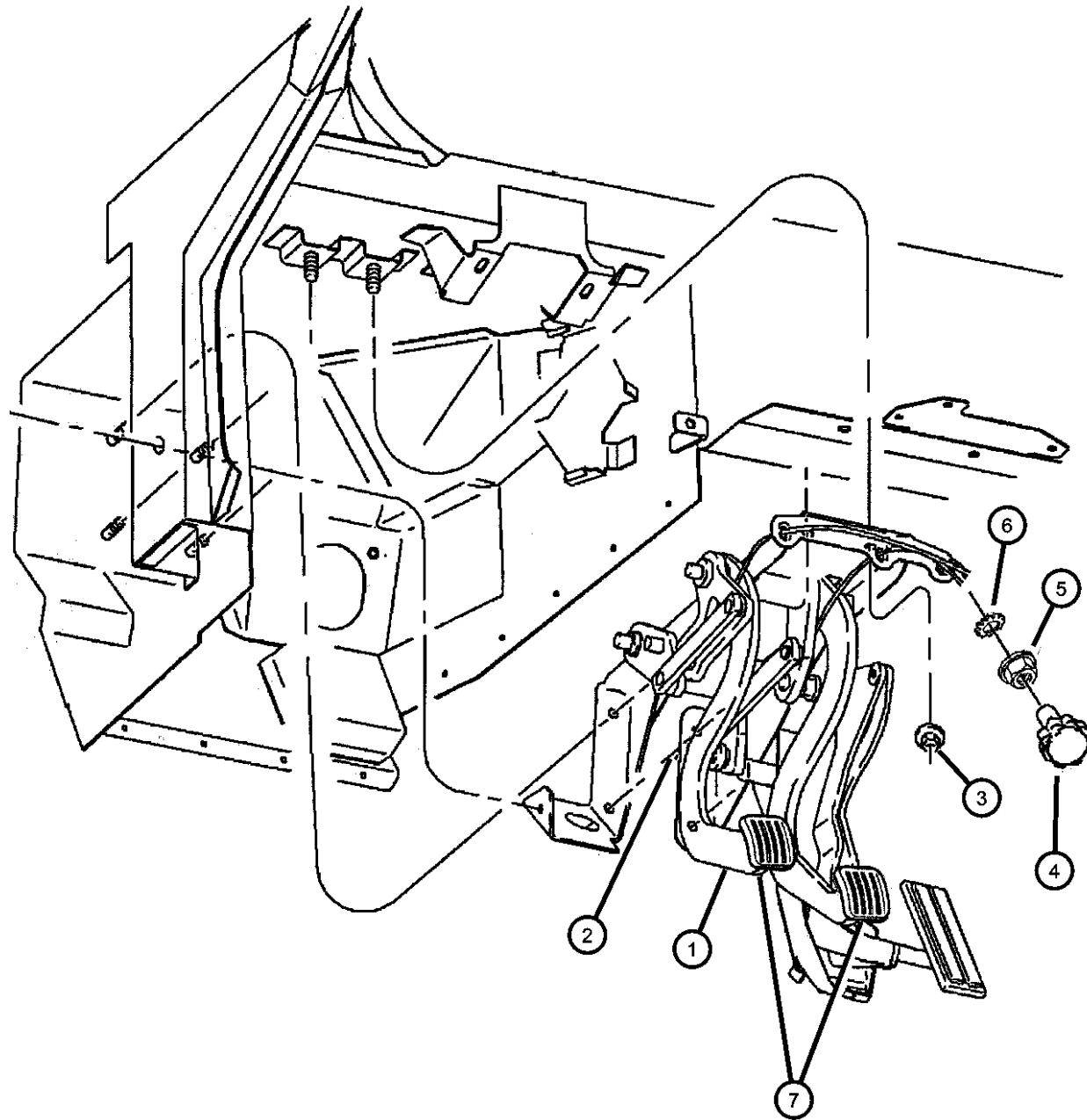
SERIES	LINE	BODY	ENGINE	TRANSMISSION
S = RT/10	D = DODGE	27 = 2-DR CONVERTIBLE	EWB = Engine - 8.0L V10 SFI	DEC = 6-Speed Manual
S = GTS Coupe		29 = SPECIALTY COUPE	EW0 = All 8.0L Gas	DBB = All Manual
X = GTS/Lemans				

AR = use ase required - = Non illustrated part

2001 SR

Pedal, Brake
Figure 5-610

ITEM	PART NUMBER	QTY	LINE	SERIES	BODY	ENGINE	TRANS	TRIM	DESCRIPTION
1	04763022AD	1							PEDAL, Brake, Clutch, and Accelerator
2	04294036	5							CLIP
3	06100517	2							NUT, Hex Flange Lock, M8 Phosphate
4	04897163AA	1							KNOB, BRAKE AND CLUTCH, ADJUSTING
5	06500197	2							NUT, M10x1.5
6	06500197	2							WASHER, Flat ID=.546 OD= 1.015 Thk= .071, (NOT SERVICED)
7	04708285	2							PAD, Brake Pedal
-8	06504516	2							NUT AND WASHER, M6x1.00



VIPER GTS COUPE,VIPER RT/10 ROADSTER (SR)

SERIES	LINE	BODY	ENGINE	TRANSMISSION
S = RT/10	D = DODGE	27 = 2-DR CONVERTIBLE	EWB = Engine - 8.0L V10 SFI	DEC = 6-Speed Manual
S = GTS Coupe		29 = SPECIALTY COUPE	EW0 = All 8.0L Gas	DBB = All Manual
X = GTS/Lemans				

AR = use ase required - = Non illustrated part

2001 SR

Group - 6

Clutch

Group - 6 Clutch

Illustration Title

Group-Fig. No.

Clutch

Clutch Fig. 6 - 110

Clutch Housing

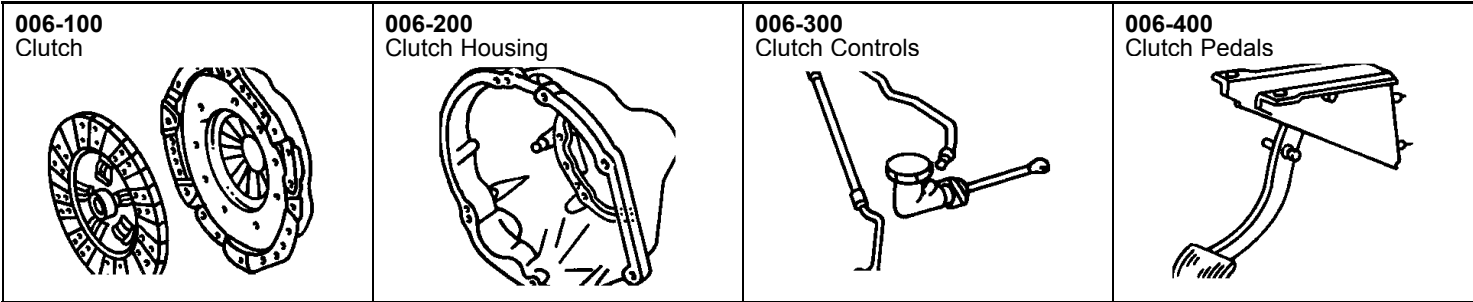
Clutch Housing Fig. 6 - 210

Clutch Controls

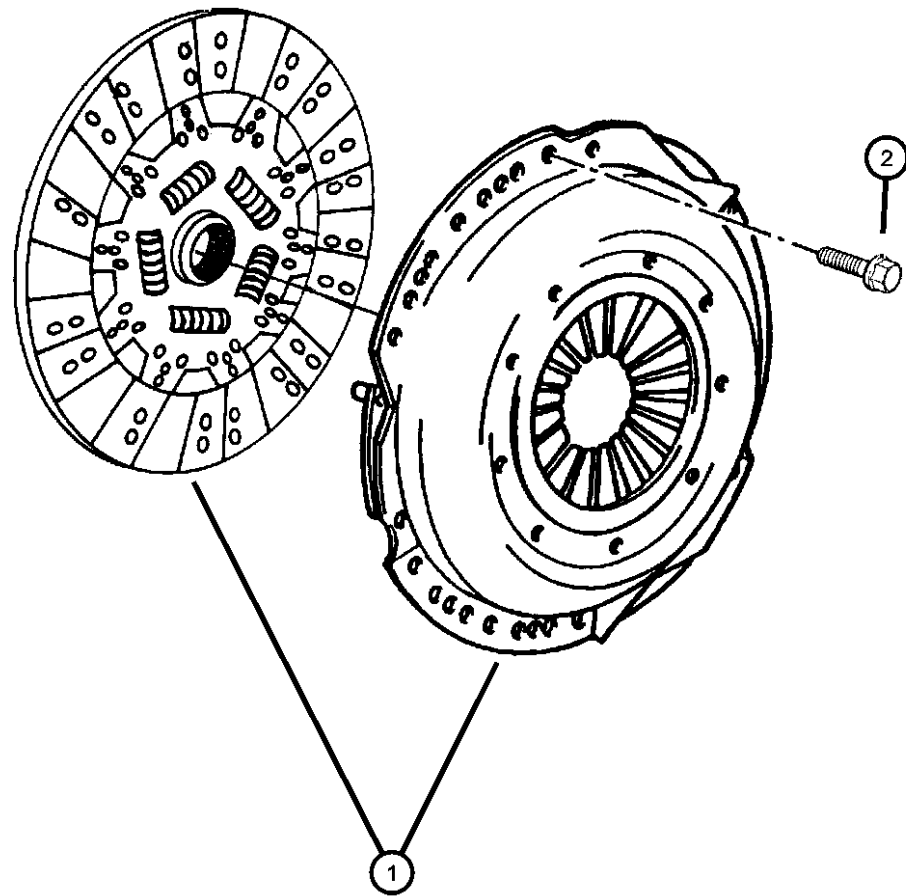
Clutch Actuation System..... Fig. 6 - 310

Clutch Pedals

Clutch Pedal Fig. 6 - 410



Clutch
Figure 6-110



ITEM	PART NUMBER	QTY	LINE	SERIES	BODY	ENGINE	TRANS	TRIM	DESCRIPTION
------	-------------	-----	------	--------	------	--------	-------	------	-------------

SALES CODE: EWB = 8.0L - V10

1	04848708AC	1				EWB			PLATE, Clutch Pressure
2	04848708AC	1							SCREW, .312-24x1.25, (NOT SERVICED)

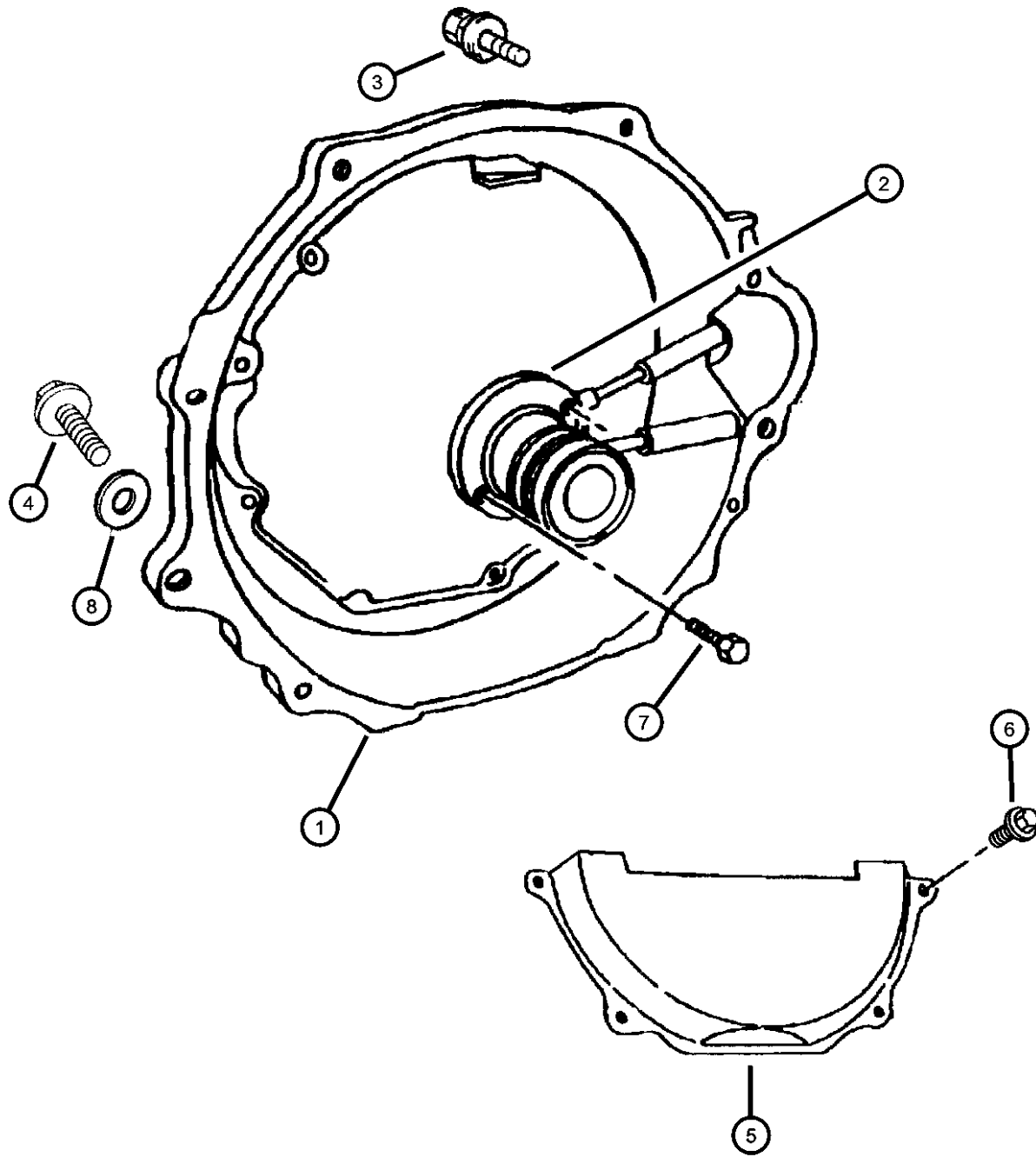
VIPER GTS COUPE,VIPER RT/10 ROADSTER (SR)

SERIES	LINE	BODY	ENGINE	TRANSMISSION
S = RT/10	D = DODGE	27 = 2-DR CONVERTIBLE	EWB = Engine - 8.0L V10 SFI	DEC = 6-Speed Manual
S = GTS Coupe		29 = SPECIALTY COUPE	EW0 = All 8.0L Gas	DBB = All Manual
X = GTS/Lemans				

AR = use ase required - = Non illustrated part

2001 SR

Clutch Housing
Figure 6-210



ITEM	PART NUMBER	QTY	LINE	SERIES	BODY	ENGINE	TRANS	TRIM	DESCRIPTION
------	-------------	-----	------	--------	------	--------	-------	------	-------------

SALES CODES: DEC = 6 Spd Manual

1	04626594	1					DEC		HOUSING, Clutch
2	04642581	1							BEARING, Clutch Release
3	00181148	2							SCREW, Hex Head, .437-14x2.75
4	00153371	4							BOLT, Hex Head, .375-16x2.25
5	05245010	1							COVER, Transmission Dust
6	06023092	4							SCREW AND WASHER, Hex Head, .25-20x.50
7	06100296	2							BOLT, Hex Head
8	09417838	2							WASHER, Flat

VIPER GTS COUPE,VIPER RT/10 ROADSTER (SR)

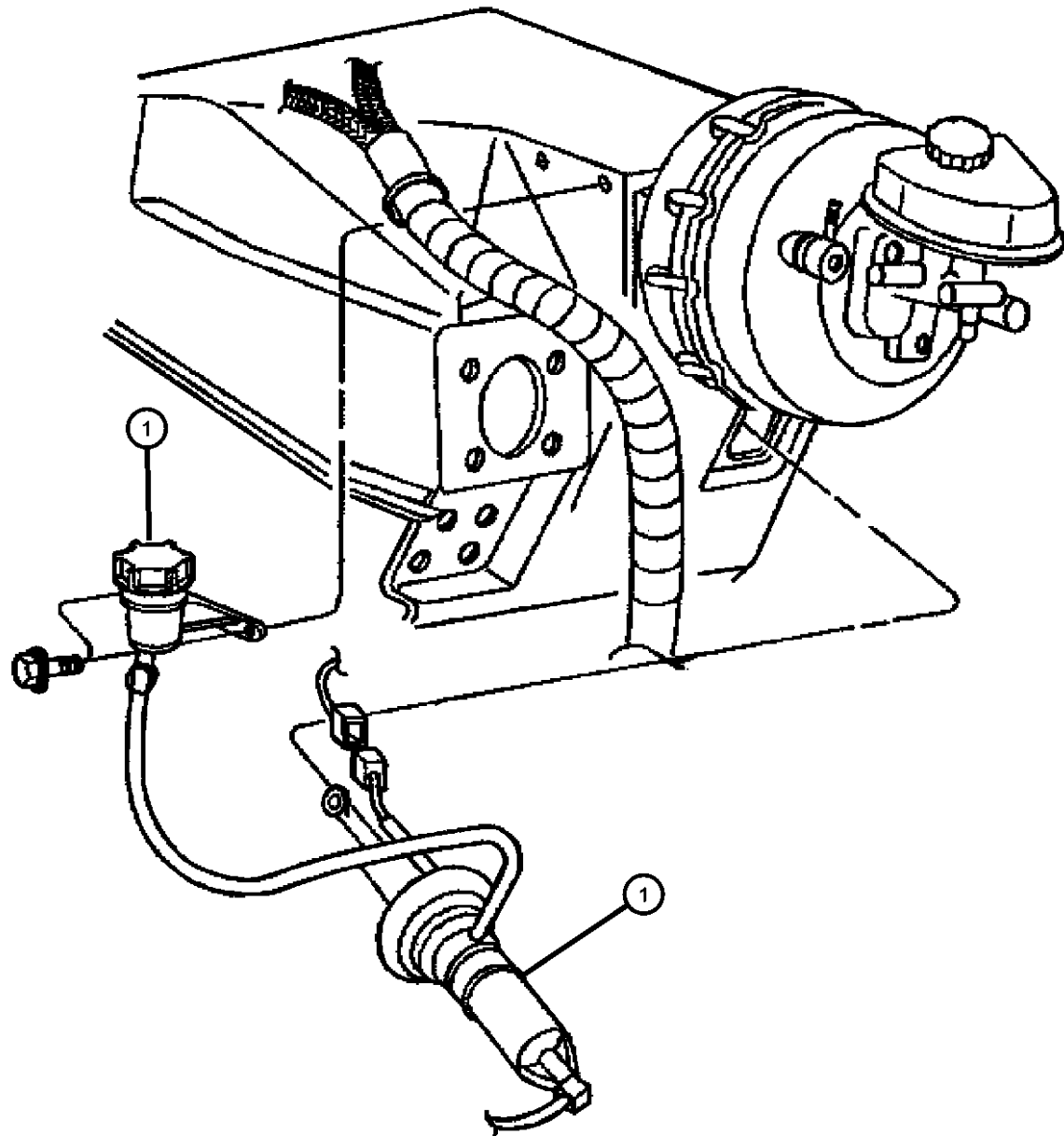
SERIES	LINE	BODY	ENGINE	TRANSMISSION
S = RT/10	D = DODGE	27 = 2-DR CONVERTIBLE	EWB = Engine - 8.0L V10 SFI	DEC = 6-Speed Manual
S = GTS Coupe		29 = SPECIALTY COUPE	EW0 = All 8.0L Gas	DBB = All Manual
X = GTS/Lemans				

AR = use ase required - = Non illustrated part

2001 SR

**Clutch Actuation System
Figure 6-310**

ITEM	PART NUMBER	QTY	LINE	SERIES	BODY	ENGINE	TRANS	TRIM	DESCRIPTION
1	04642666AB	1							ACTUATOR, Hydraulic Clutch



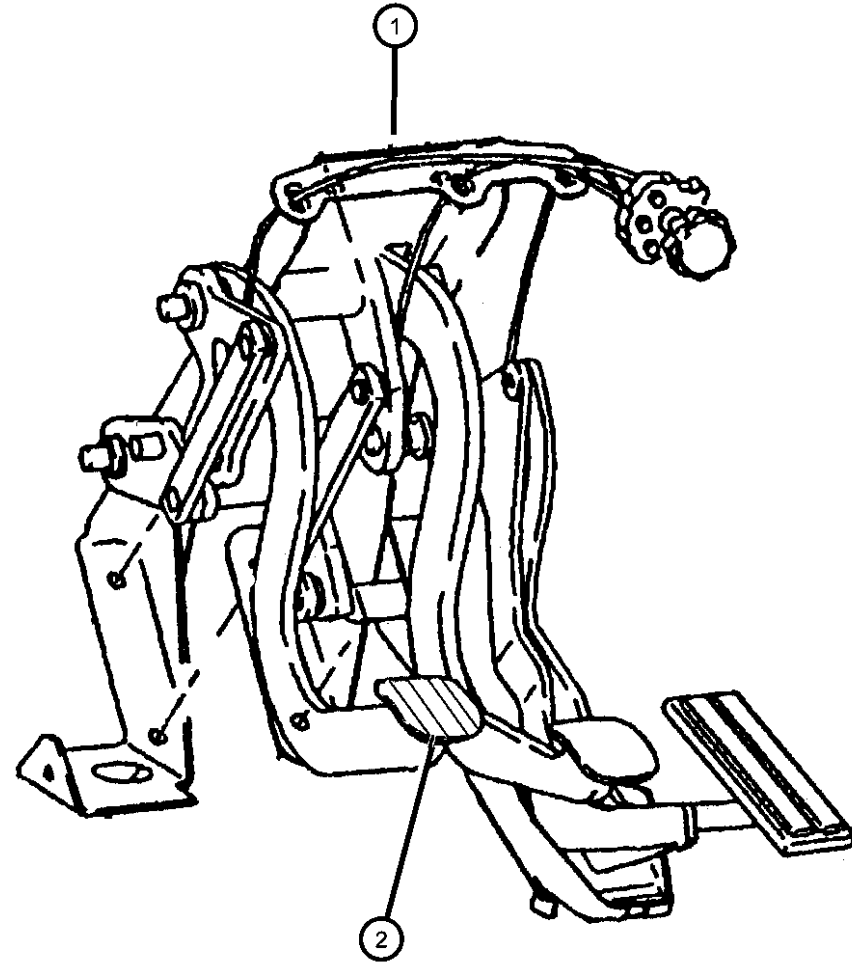
VIPER GTS COUPE,VIPER RT/10 ROADSTER (SR)

SERIES	LINE	BODY	ENGINE	TRANSMISSION
S = RT/10	D = DODGE	27 = 2-DR CONVERTIBLE	EWB = Engine - 8.0L V10 SFI	DEC = 6-Speed Manual
S = GTS Coupe		29 = SPECIALTY COUPE	EW0 = All 8.0L Gas	DBB = All Manual
X = GTS/Lemans				

AR = use ase required - = Non illustrated part

Clutch Pedal
Figure 6-410

ITEM	PART NUMBER	QTY	LINE	SERIES	BODY	ENGINE	TRANS	TRIM	DESCRIPTION
1	04763022AD	1							PEDAL, Brake, Clutch, and Accelerator
2	04708285	2							PAD, Brake Pedal



VIPER GTS COUPE,VIPER RT/10 ROADSTER (SR)

SERIES	LINE	BODY	ENGINE	TRANSMISSION
S = RT/10	D = DODGE	27 = 2-DR CONVERTIBLE	EWB = Engine - 8.0L V10 SFI	DEC = 6-Speed Manual
S = GTS Coupe		29 = SPECIALTY COUPE	EW0 = All 8.0L Gas	DBB = All Manual
X = GTS/Lemans				

AR = use ase required - = Non illustrated part

Group - 7

Cooling

Group - 7 Cooling

Group-Fig. No.

Illustration Title

Radiator and Related Parts

Radiator And Related Parts Fig. 7 - 110
 Radiator Air Baffles Fig. 7 - 120

Water Pump and Related Parts

Water Pump And Related Parts Fig. 7 - 210

Tank, Coolant Engine

Coolant Reserve And Pressurized Coolant Tank Fig. 7 - 310

Pulleys and Related Parts

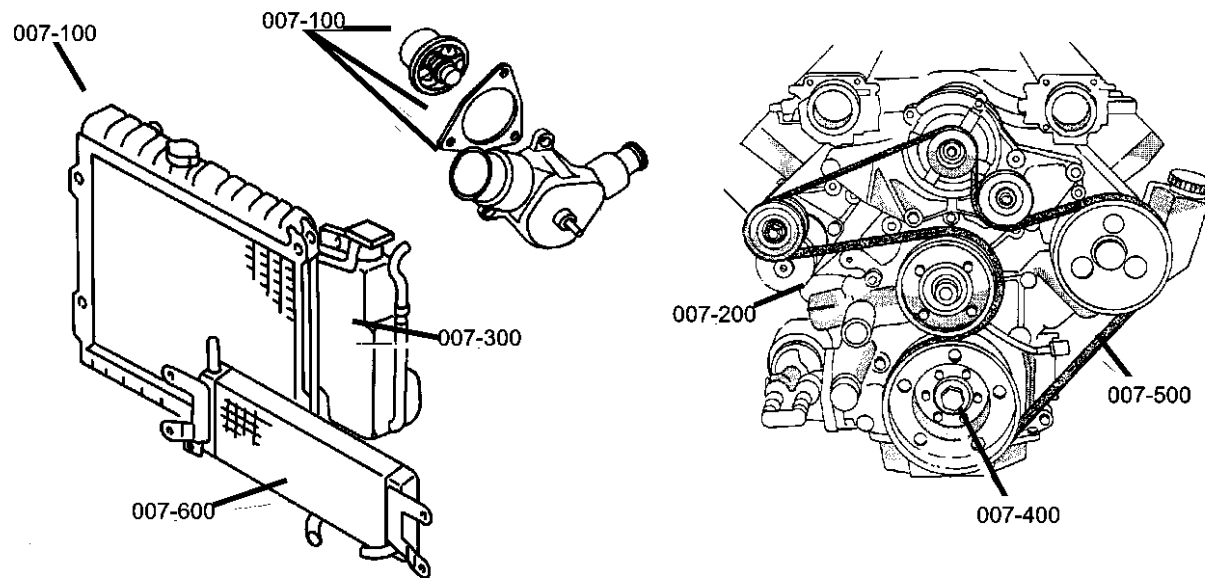
Pulleys, Drive Fig. 7 - 410

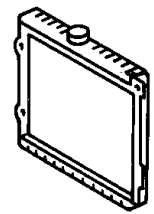
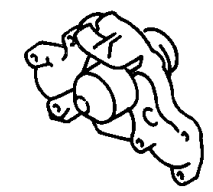
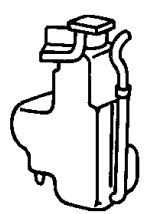

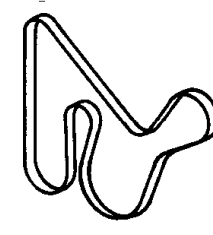
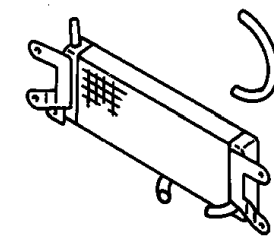
Drive Belts

Belts, Drive Fig. 7 - 510

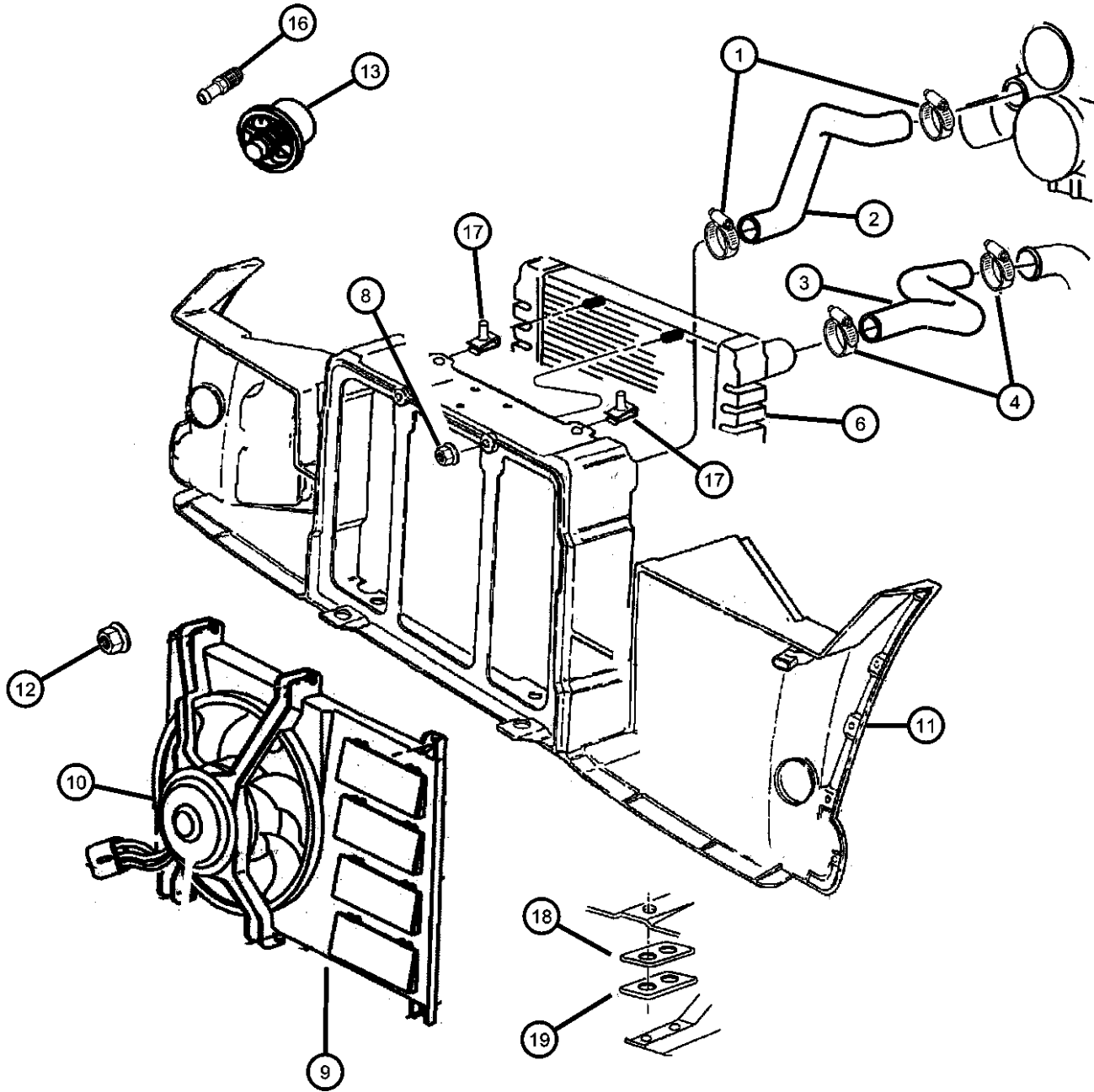
Lines, Transmission Oil Cooler

Oil Cooler And Lines Fig. 7 - 610



<p>007-100 Radiator and Related Parts</p> 	<p>007-200 Water Pump and Related Parts</p> 	<p>007-300 Tank, Coolant Engine</p> 	<p>007-400 Pulleys and Related Parts</p> 
<p>007-500 Drive Belts</p> 	<p>007-600 Lines, Transmission Oil Cooler</p> 		

**Radiator And Related Parts
Figure 7-110**



ITEM	PART NUMBER	QTY	LINE	SERIES	BODY	ENGINE	TRANS	TRIM	DESCRIPTION
NOTE: Sales Codes: [EWB] = 8.0L V10 SFI									
1	32002366	2							CLAMP, Hose, 55mm Black, Rad to Rad Hose Inlet
2	04763584	1							HOSE, Radiator Outlet, Outlet to Water Pump
3	04763585	1							HOSE, Radiator Inlet, Thermostat to Inlet
4	52006750	2							CLAMP, Radiator
-5									BRACKET, Bulkhead
	04709356	1							Right
	04709357	1							Left
6	04855123AB 04267020AB	1							RADIATOR, Engine Cooling Mopar Coolant 3 Year Formula 1 Gallon
-7	04596198	1							CAP, Pressurized Coolant, Radiator
8	06101444	4							NUT AND WASHER, Hex, M6x1.0, Radiator to Closure Att
9	06101444	4							SHIELD, Splash, Serviced in Fan Module, (NOT SERVICED)
10	04854720AA	1							FAN MODULE, Radiator Cooling
11	04709352AC	1							SHROUD, Fan, Includes Support Radiator Closure
12	06101444	4							NUT AND WASHER, Hex, M6x1.0, Radiator Fan Assy
13	53041078	1				EWB			THERMOSTAT, 195 Degrees
-14	04763839AC	1				EWB			GASKET, Thermostat
-15	04763779AE	1				EWB			HOUSING, Thermostat
16	55035944AB	2				EWB			NIPPLE, Heater Inlet
17	04848199	2							RETAINER, Radiator Closure, Radiator Closure
18	04763564	AR							SHIM
19	04763565	AR							SHIM

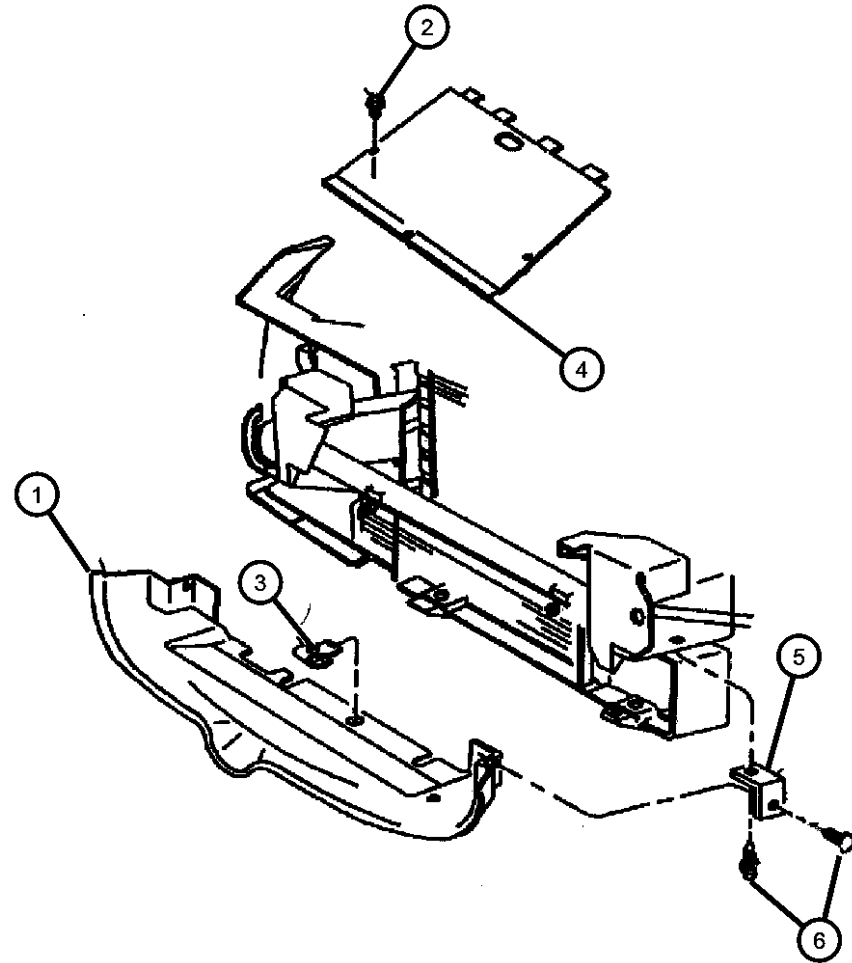
VIPER GTS COUPE,VIPER RT/10 ROADSTER (SR)

SERIES	LINE	BODY	ENGINE	TRANSMISSION
S = RT/10	D = DODGE	27 = 2-DR CONVERTIBLE	EWB = Engine - 8.0L V10 SFI	DEC = 6-Speed Manual
S = GTS Coupe		29 = SPECIALTY COUPE	EW0 = All 8.0L Gas	DBB = All Manual
X = GTS/Lemans				

AR = use ase required - = Non illustrated part

Radiator Air Baffles
Figure 7-120

ITEM	PART NUMBER	QTY	LINE	SERIES	BODY	ENGINE	TRANS	TRIM	DESCRIPTION
1	04848737	1							BAFFLE, Radiator
2	06100545	4							SCREW AND WASHER, Hex Head, M5x.8x25
3	06029074	1							U-NUT, .25-20
4	04848763	1							COVER, Baffle Air Upper
5	04848198	2							BRACKET, Radiator
6	06501067	4							PIN, Push, M6.3x20.5, Baffle Att.

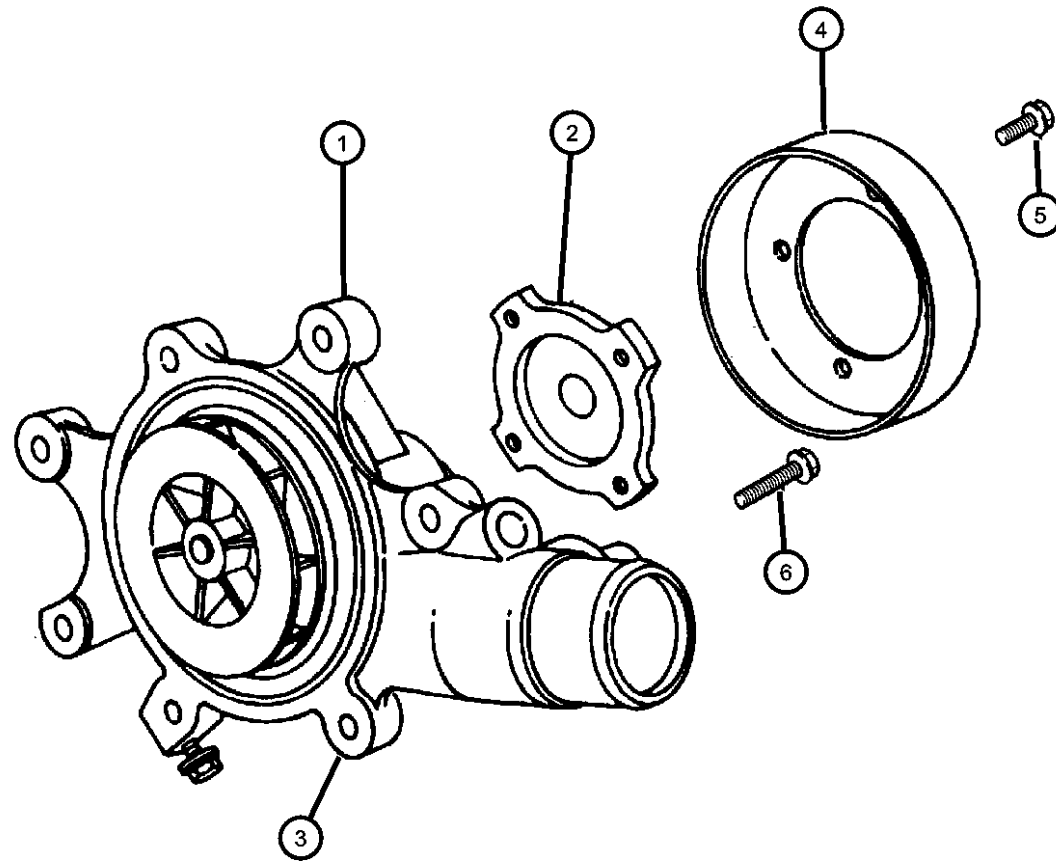


VIPER GTS COUPE,VIPER RT/10 ROADSTER (SR)

SERIES	LINE	BODY	ENGINE	TRANSMISSION
S = RT/10	D = DODGE	27 = 2-DR CONVERTIBLE	EWB = Engine - 8.0L V10 SFI	DEC = 6-Speed Manual
S = GTS Coupe		29 = SPECIALTY COUPE	EW0 = All 8.0L Gas	DBB = All Manual
X = GTS/Lemans				

AR = use ase required - = Non illustrated part

**Water Pump And Related Parts
Figure 7-210**



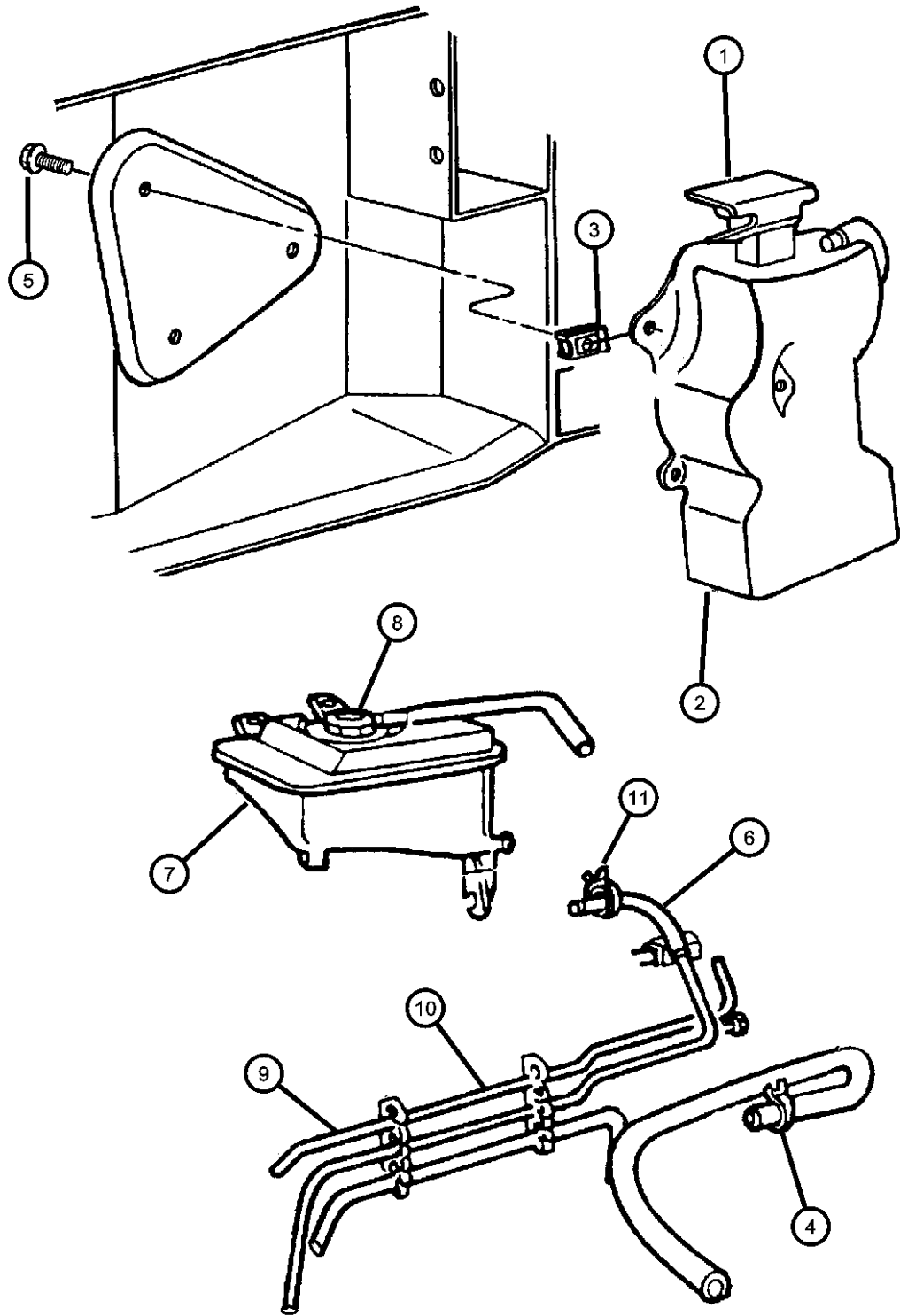
ITEM	PART NUMBER	QTY	LINE	SERIES	BODY	ENGINE	TRANS	TRIM	DESCRIPTION
NOTE: Sales Codes: [EWB] = 8.0L V10 SFI									
1	04763776AB	1				EWB			PUMP, Water
2	04763776AB	1							HUB, Water Pump Pulley, (NOT SERVICED)
3	04763790AB	1				EWB			GASKET, Water Pump
4	53010221	1				EWB			PULLEY, Water Pump
5	06034530	4				EWB			SCREW, Hex Head, .312-18x.75
6	06035558	9				EWB			SCREW, Hex Flange Head, .375-16x1.50

VIPER GTS COUPE,VIPER RT/10 ROADSTER (SR)

SERIES	LINE	BODY	ENGINE	TRANSMISSION
S = RT/10	D = DODGE	27 = 2-DR CONVERTIBLE	EWB = Engine - 8.0L V10 SFI	DEC = 6-Speed Manual
S = GTS Coupe		29 = SPECIALTY COUPE	EW0 = All 8.0L Gas	DBB = All Manual
X = GTS/Lemans				

AR = use ase required - = Non illustrated part

**Coolant Reserve And Pressurized Coolant Tank
Figure 7-310**



ITEM	PART NUMBER	QTY	LINE	SERIES	BODY	ENGINE	TRANS	TRIM	DESCRIPTION
------	-------------	-----	------	--------	------	--------	-------	------	-------------

NOTE: Sales Codes:
[EWB] = 8.0L V10 SFI

1	04682828	1							CAP, Coolant Reserve Tank
2	52027784	1							TANK, Coolant Reserve
3	52027784	1							U-NUT, (NOT SERVICED)
4	06502018	2							CLAMP, Hose, M28.9 x 1.60, Cool Ret Hose/Pres Btle
5	06502018	2							SCREW, (NOT SERVICED)
6									HOSE, Coolant Reserve Tank
	04763584	1							Radiator Outlet to Water Pump
	04763585	1							Coolant Engine to T/Stat to Inlet
	04763877	1				EWB			High Pressure C/Bottle to Water Pump
	05245038	1							High Pressure Coolant
7	04709389	1							BOTTLE, Pressurized Coolant
8	04596198	1							CAP, Pressurized Coolant, Tank
9	05245039	1							TUBE, Coolant Reserve Tank
10	04709381	2							CLIP, Hose
11	04592126	2							CLAMP, Hose

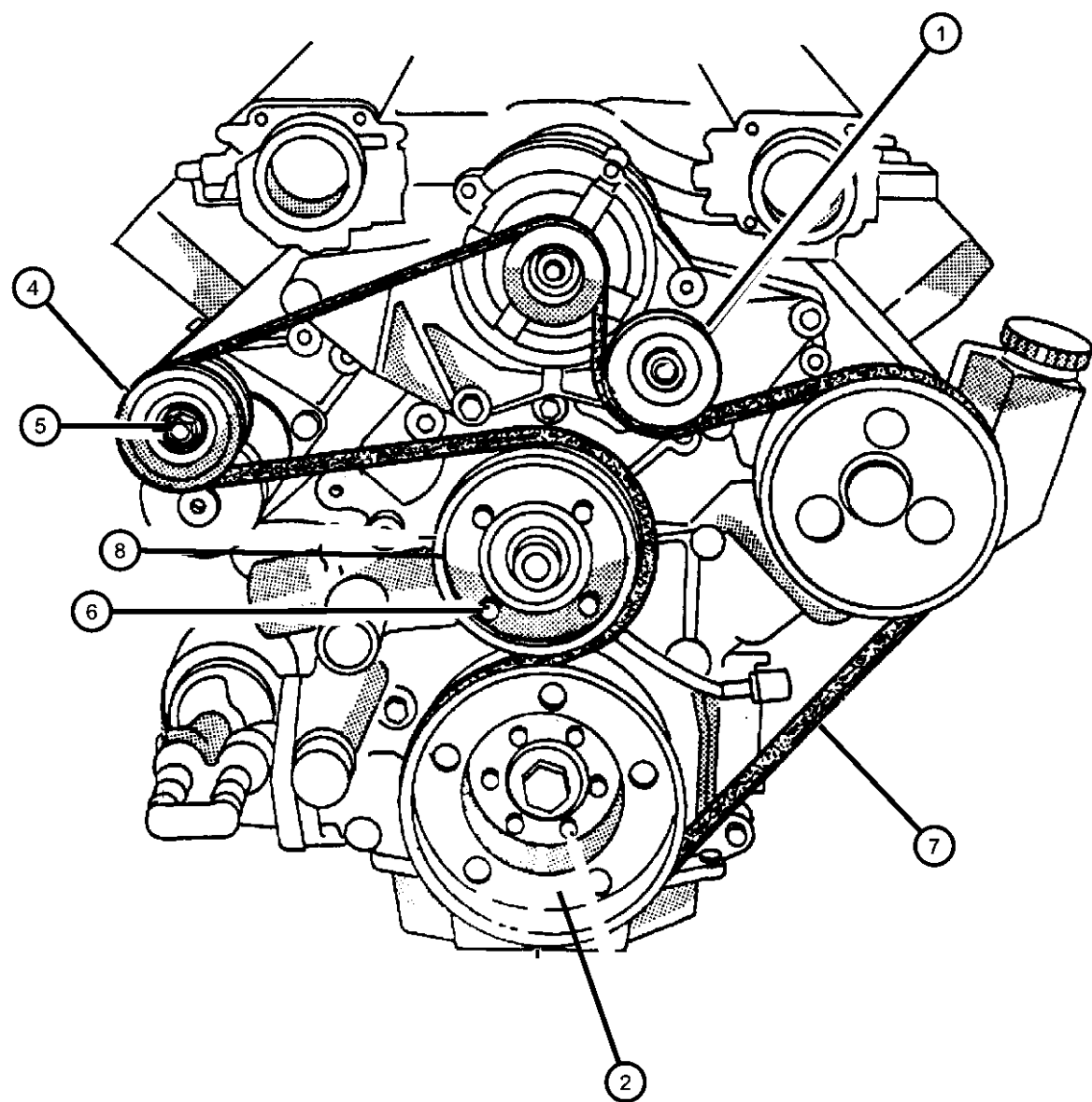
VIPER GTS COUPE,VIPER RT/10 ROADSTER (SR)

SERIES	LINE	BODY	ENGINE	TRANSMISSION
S = RT/10	D = DODGE	27 = 2-DR CONVERTIBLE	EWB = Engine - 8.0L V10 SFI	DEC = 6-Speed Manual
S = GTS Coupe		29 = SPECIALTY COUPE	EW0 = All 8.0L Gas	DBB = All Manual
X = GTS/Lemans				

AR = use ase required - = Non illustrated part

2001 SR

Pulleys, Drive
Figure 7-410



ITEM	PART NUMBER	QTY	LINE	SERIES	BODY	ENGINE	TRANS	TRIM	DESCRIPTION
------	-------------	-----	------	--------	------	--------	-------	------	-------------

NOTE: Sales Codes:
[EWB] = 8.0L V10 SFI

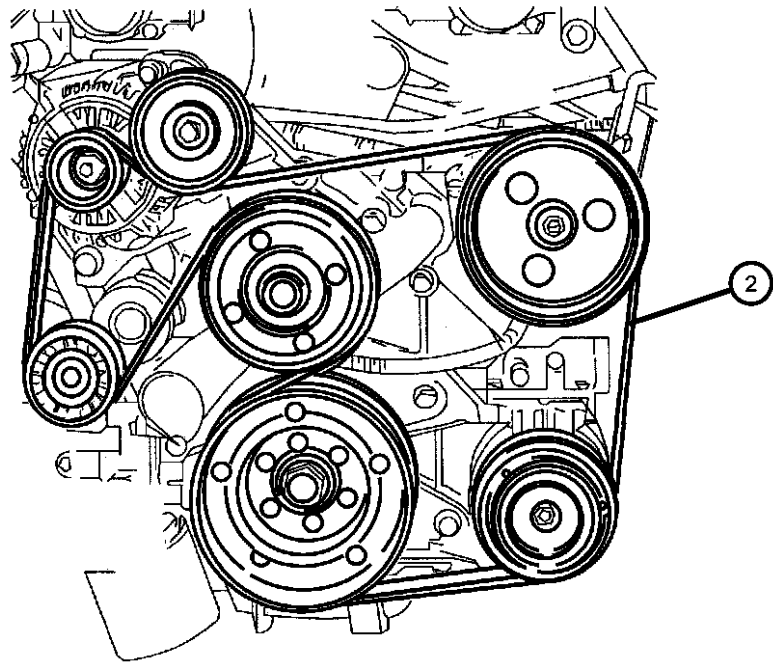
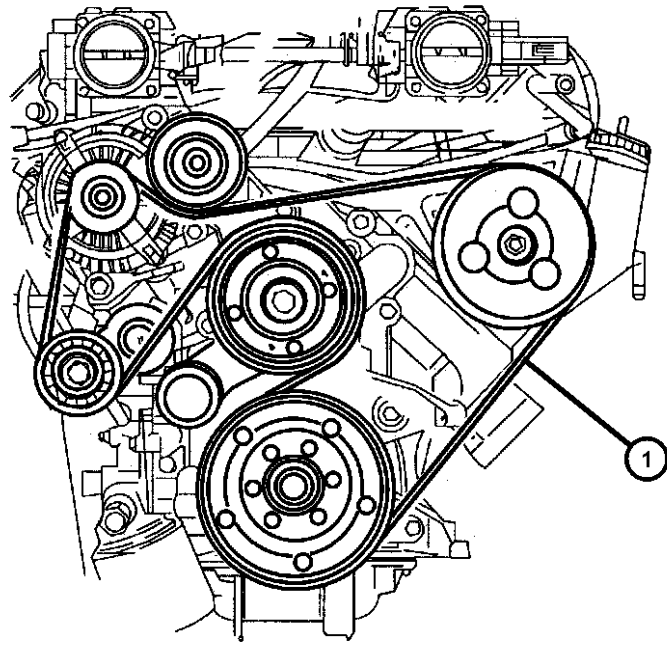
1	53009508	1				EWB			PULLEY, Idler
2	53010222	1				EWB			PULLEY, Crankshaft
-3	33002201	1				EWB			BUSHING, Idler Pulley
4	04626444AB	1				EWB			TENSIONER PACKAGE, Belt
5	06502135	1				EWB			NUT, Hex Flange, M10x1.5
6	06034530	4				EWB			SCREW, Hex Head, .312-18x.75
7	04763863AB	1				EWB			BELT, Accessory Drive
8	53010221	1				EWB			PULLEY, Water Pump

VIPER GTS COUPE,VIPER RT/10 ROADSTER (SR)

SERIES	LINE	BODY	ENGINE	TRANSMISSION
S = RT/10	D = DODGE	27 = 2-DR CONVERTIBLE	EWB = Engine - 8.0L V10 SFI	DEC = 6-Speed Manual
S = GTS Coupe		29 = SPECIALTY COUPE	EW0 = All 8.0L Gas	DBB = All Manual
X = GTS/Lemans				

AR = use ase required - = Non illustrated part

**Belts, Drive
Figure 7-510**



ITEM	PART NUMBER	QTY	LINE	SERIES	BODY	ENGINE	TRANS	TRIM	DESCRIPTION
------	-------------	-----	------	--------	------	--------	-------	------	-------------

NOTE: Sales Codes:
[EWB] = 8.0L V10 SFI

1	04763863AB	1				EWB			BELT, Accessory Drive
2	04763795AB	1				EWB			BELT, A/C

VIPER GTS COUPE,VIPER RT/10 ROADSTER (SR)

SERIES	LINE	BODY	ENGINE	TRANSMISSION
S = RT/10	D = DODGE	27 = 2-DR CONVERTIBLE	EWB = Engine - 8.0L V10 SFI	DEC = 6-Speed Manual
S = GTS Coupe		29 = SPECIALTY COUPE	EW0 = All 8.0L Gas	DBB = All Manual
X = GTS/Lemans				

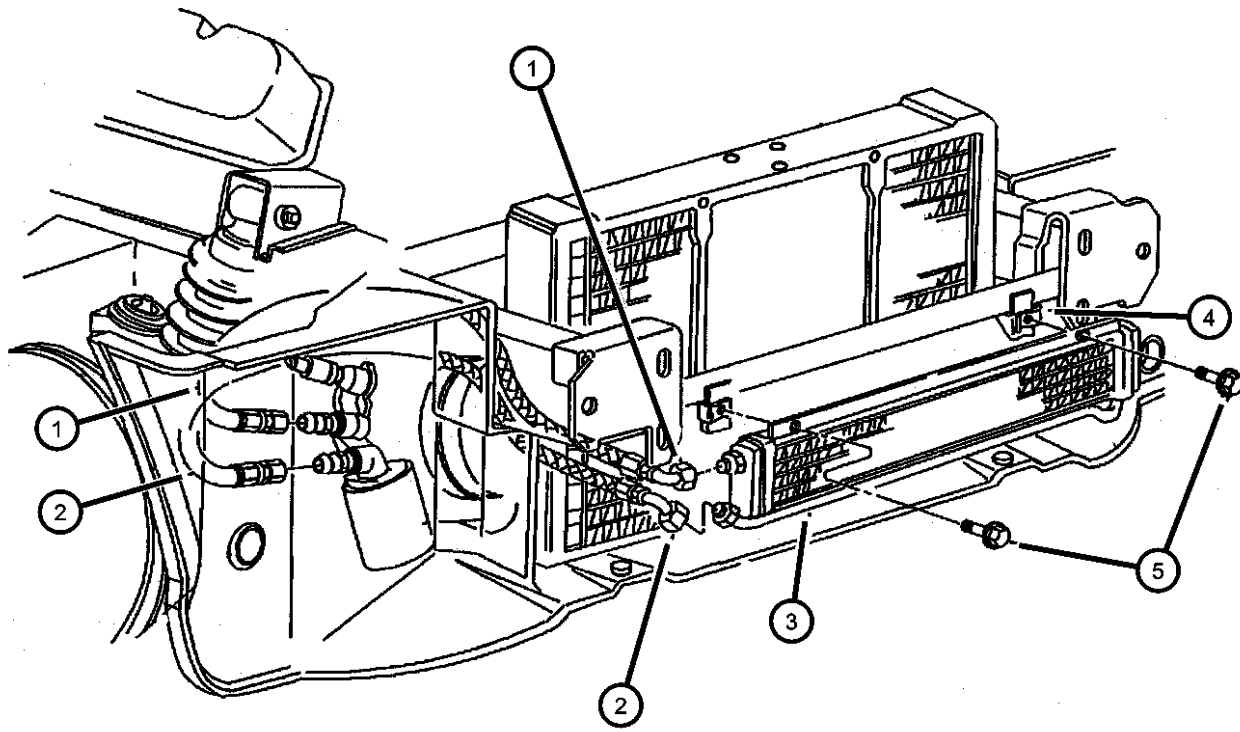
AR = use ase required - = Non illustrated part

Oil Cooler And Lines
Figure 7-610

ITEM	PART NUMBER	QTY	LINE	SERIES	BODY	ENGINE	TRANS	TRIM	DESCRIPTION
------	-------------	-----	------	--------	------	--------	-------	------	-------------

NOTE: Sales Codes:
[EWB] = 8.0L V10 SFI

1	04848310	1							LINE, Oil Cooler Inlet
2	04848300	1							LINE, Oil Cooler Outlet
3	04643826AC	1							COOLER, Engine Oil
4	06034530	4				EWB			SCREW, Hex Head, .312-18x.75
5	06100296	2							BOLT, Hex Head



VIPER GTS COUPE,VIPER RT/10 ROADSTER (SR)

SERIES	LINE	BODY	ENGINE	TRANSMISSION
S = RT/10	D = DODGE	27 = 2-DR CONVERTIBLE	EWB = Engine - 8.0L V10 SFI	DEC = 6-Speed Manual
S = GTS Coupe		29 = SPECIALTY COUPE	EW0 = All 8.0L Gas	DBB = All Manual
X = GTS/Lemans				

AR = use ase required - = Non illustrated part

2001 SR

Group - 8

Electrical

Group - 8 Electrical

Illustration Title

Group-Fig. No.

Starters

Starter Fig. 8 - 105

Alternators

Alternators Fig. 8 - 205

Modules

Modules Fig. 8 - 405

Relays

Power Distribution Center, [Relays, and Fuses] Fig. 8 - 505

Fuse Block, Front [Relays, Fuses, and Flasher] Fig. 8 - 510

Fuse Block, Rear [Fuses and Relays] Fig. 8 - 515

Sensors

Sensors, Power Train Fig. 8 - 605

Sensors, Body Fig. 8 - 610

Single Board Engine Controllers

Single Board Controllers Fig. 8 - 705

Switches

Switches Instrument Panel Fig. 8 - 805

Switches Drivetrain Fig. 8 - 810

Switches Body Fig. 8 - 815

Horns

Horns Fig. 8 - 905

Battery Tray and Cables

Battery Tray and Cables Fig. 8 - 1005

Lamps - Front, Rear and Courtesy

Lamps and Wiring - Front Fig. 8 - 1105

Lamps and Wiring - Rear Fig. 8 - 1110

Courtesy Lamps Fig. 8 - 1115

Wiring-Engine & Related Parts

Wiring - Engine and Related Parts Fig. 8 - 1205

Wiring-Headlamp to Dash

Wiring - Headlamp to Dash Fig. 8 - 1305

Wiring-Instrument Panel

Wiring - Instrument Panel Fig. 8 - 1405

Wiring-Body & Accessories

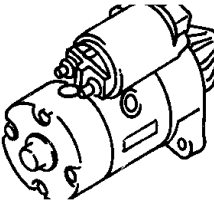
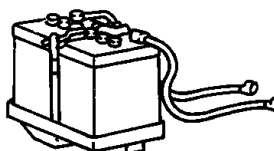
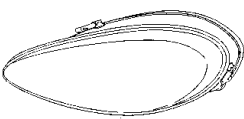
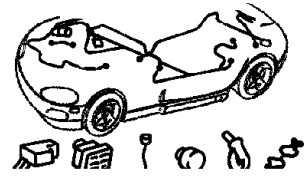
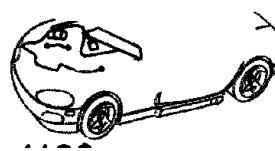
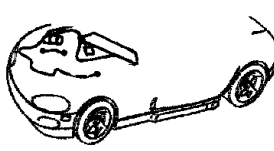
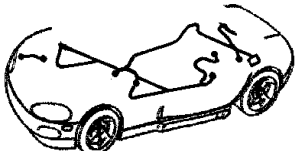
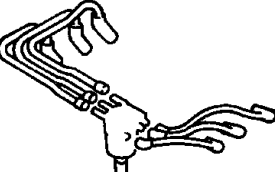
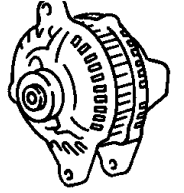
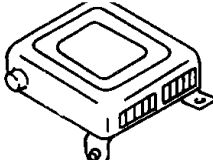
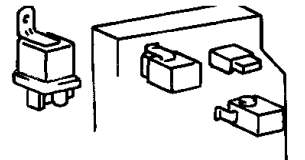
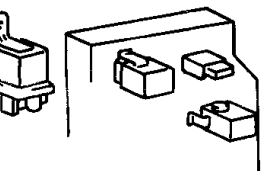
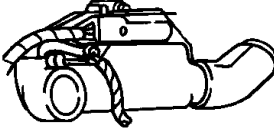
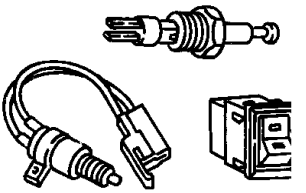
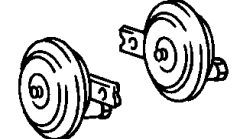
Wiring - Body and Accessories Fig. 8 - 1505

Wiring Repair

Connector Repair Package Fig. 8 - 1605

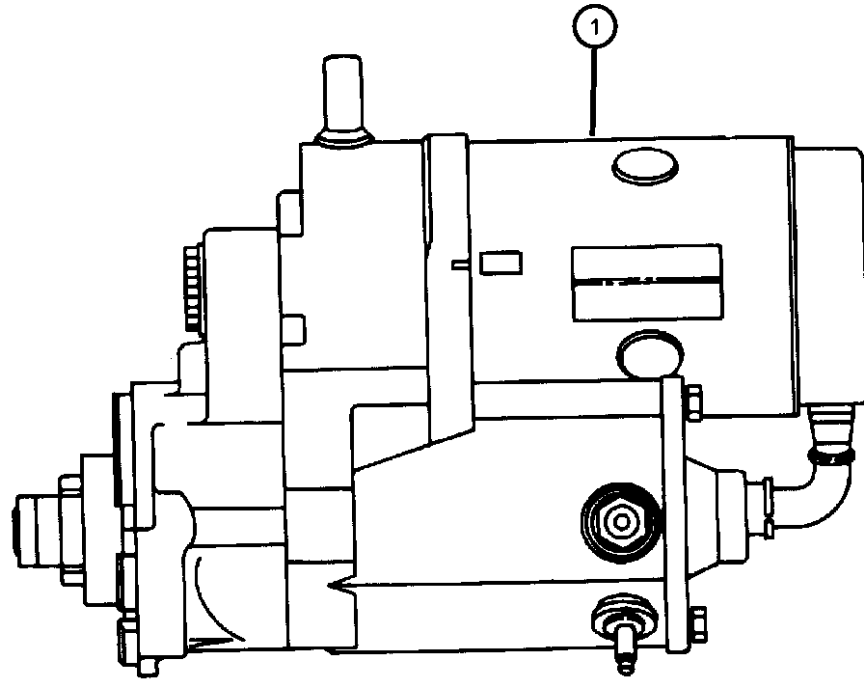
Spark Plugs-Cables-Coils

Spark Plugs - Cables - Coil Fig. 8 - 1905

<p>008-100 Starters</p> 	<p>008-1000 Battery Tray and Cables</p> 	<p>008-1100 Lamps - Front, Rear and Courtesy</p> 	<p>008-1200 Wiring-Engine & Related Parts</p> 
<p>008-1300 Wiring-Headlamp to Dash</p> 	<p>008-1400 Wiring-Instrument Panel</p> 	<p>008-1500 Wiring-Body & Accessories</p> 	<p>008-1600 Wiring Repair</p> <p>WIRING REPAIR PKG.</p>
<p>008-1900 Spark Plugs-Cables-Coils</p> 	<p>008-200 Alternators</p> 	<p>008-400 Modules</p> 	<p>008-500 Relays</p> 
<p>008-600 Sensors</p> 	<p>008-700 Single Board Engine Controllers</p> 	<p>008-800 Switches</p> 	<p>008-900 Horns</p> 

**Starter
Figure 8-105**

ITEM	PART NUMBER	QTY	LINE	SERIES	BODY	ENGINE	TRANS	TRIM	DESCRIPTION
1	04763794	1				EWB			STARTER
-2	06035558	2				EWB			SCREW, Hex Flange Head, .375-16x1.50



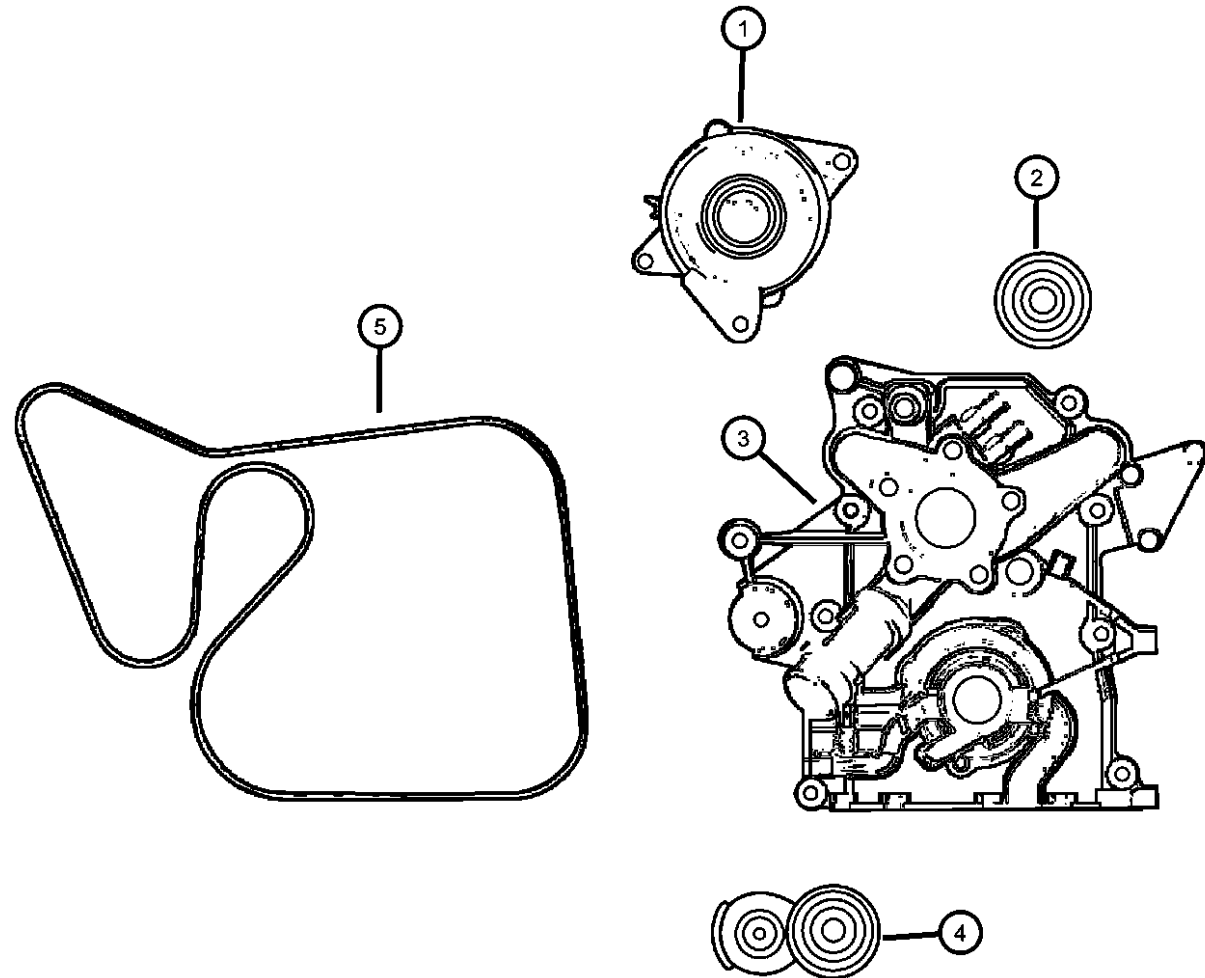
VIPER GTS COUPE,VIPER RT/10 ROADSTER (SR)

SERIES	LINE	BODY	ENGINE	TRANSMISSION
S = RT/10	D = DODGE	27 = 2-DR CONVERTIBLE	EWB = Engine - 8.0L V10 SFI	DEC = 6-Speed Manual
S = GTS Coupe		29 = SPECIALTY COUPE	EW0 = All 8.0L Gas	DBB = All Manual
X = GTS/Lemans				

AR = use ase required - = Non illustrated part

Alternators
Figure 8-205

ITEM	PART NUMBER	QTY	LINE	SERIES	BODY	ENGINE	TRANS	TRIM	DESCRIPTION
EWB= 8.0L V10 SFI									
1	04848662AB	1				EWB			ALTERNATOR, Electrical
2	53009508	1				EWB			PULLEY, Idler
3	04763731AH	1				EWB			COVER, Timing Case, w/ Alternator mounting
4	04626444AB	1				EWB			TENSIONER PACKAGE, Belt
5	04763795AB	1				EWB			BELT, A/C
-6	06035558	1				EWB			SCREW, Hex Flange Head, .375-16x1.50, Alternator, Idler Pulley, Timing Cover mounting
-7	04848124	1				EWB			SPACER, Alternator
-8	04848285AC	1				EWB			WIRING, Alternator

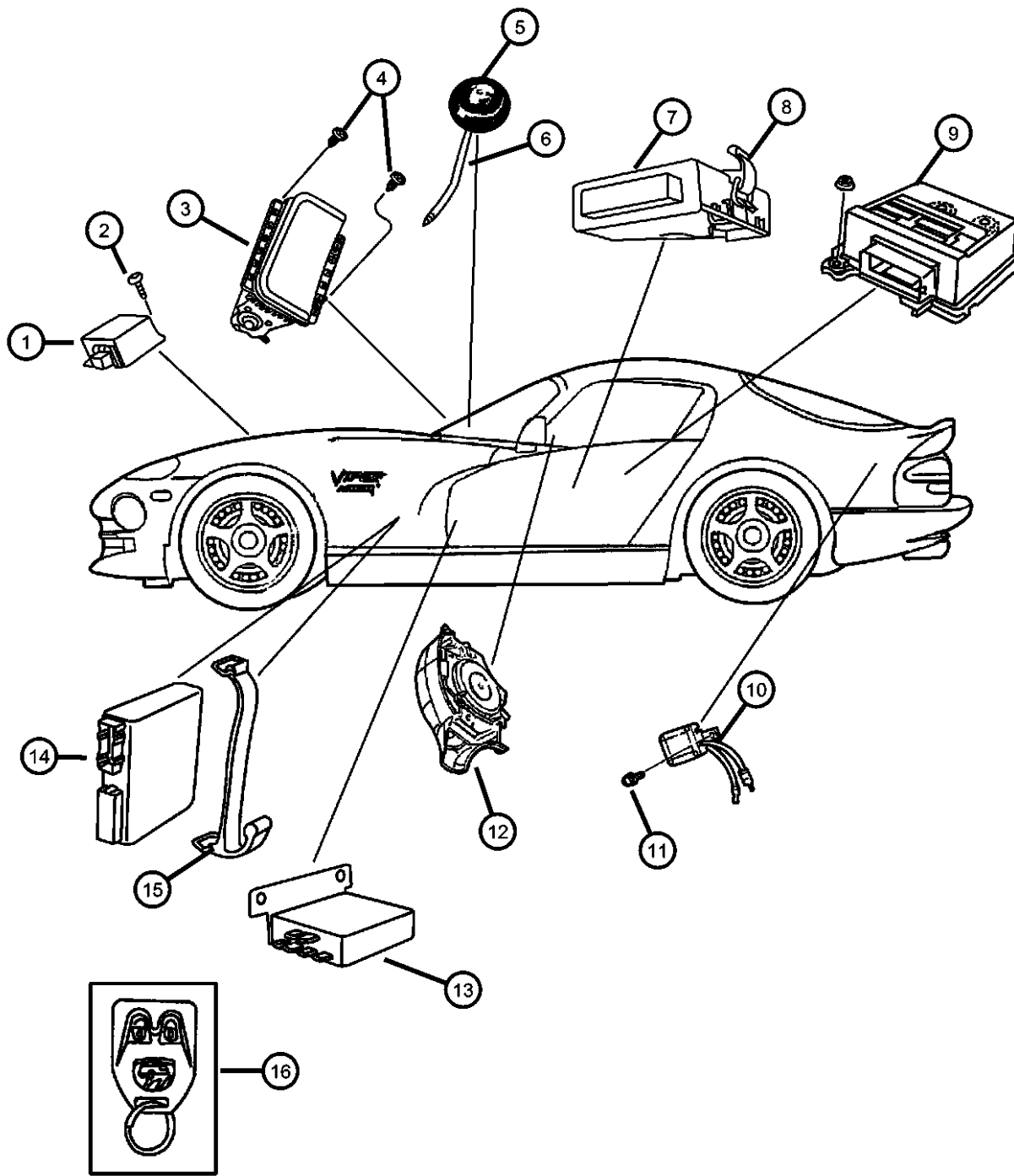


VIPER GTS COUPE,VIPER RT/10 ROADSTER (SR)

SERIES	LINE	BODY	ENGINE	TRANSMISSION
S = RT/10	D = DODGE	27 = 2-DR CONVERTIBLE	EWB = Engine - 8.0L V10 SFI	DEC = 6-Speed Manual
S = GTS Coupe		29 = SPECIALTY COUPE	EW0 = All 8.0L Gas	DBB = All Manual
X = GTS/Lemans				

AR = use ase required - = Non illustrated part

Modules
Figure 8-405



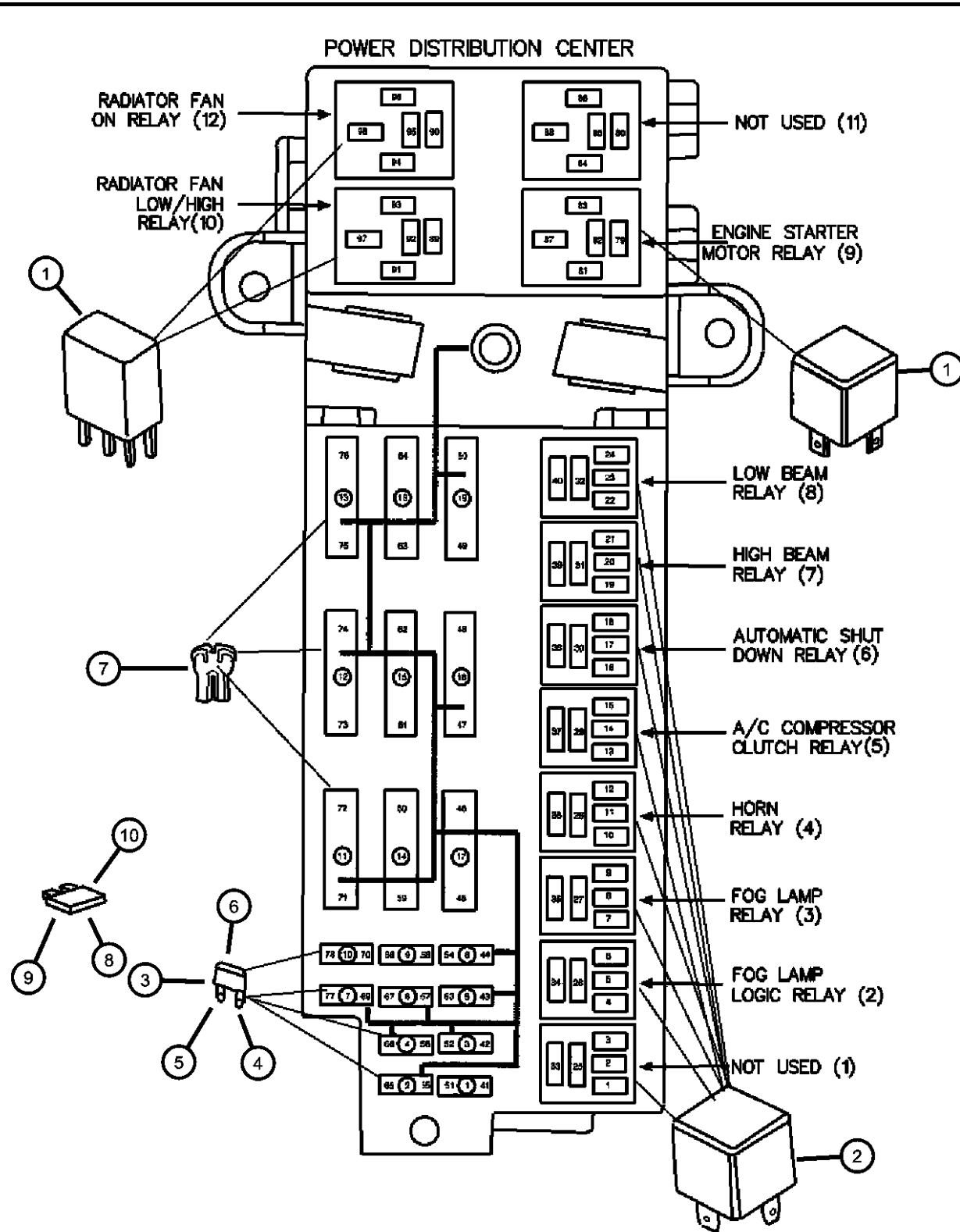
ITEM	PART NUMBER	QTY	LINE	SERIES	BODY	ENGINE	TRANS	TRIM	DESCRIPTION
1	04672271	1							MODULE, Daytime Running Lamp
2	04672271	1							SCREW, .250-14x.875, (NOT SERVICED)
3	0RW19JX8AB	1							AIR BAG, Passenger
4	0RW19JX8AB	1							SCREW, Round Head, .164-15x1.00, (NOT SERVICED)
5									BEZEL, Security Indicator
	04848663	1			27				
		1			29				
6									WIRING, LED Security
	04848664	1			27				w/Red Lens
		1			29				w/Red Lens
7	04848291	1							MODULE, Wiper
8	04848290	1							STRAP, Module Mounting
9	04848802AE	1							MODULE, Air Bag Control
10	04709109	AR							BOX, Antenna Amplifier
11	04709109	AR							SCREW, Tapping, .19-16x1.75, (NOT SERVICED)
12	0LB45JX8AB	1							AIR BAG, Driver
13	05266269	1							CHIME, Warning
14	04848832AF	1							MODULE, Keyless Entry Receiver
15	04848290	1							STRAP, Module Mounting
16	04865431AA	2							TRANSMITTER, Keyless Entry
-17	05245299AB	1							MODULE, Lighting Control, Instrument Panel Lamp dimming

VIPER GTS COUPE,VIPER RT/10 ROADSTER (SR)

SERIES	LINE	BODY	ENGINE	TRANSMISSION
S = RT/10	D = DODGE	27 = 2-DR CONVERTIBLE	EWB = Engine - 8.0L V10 SFI	DEC = 6-Speed Manual
S = GTS Coupe		29 = SPECIALTY COUPE	EW0 = All 8.0L Gas	DBB = All Manual
X = GTS/Lemans				

AR = use ase required - = Non illustrated part

Power Distribution Center, [Relays, and Fuses]
Figure 8-505



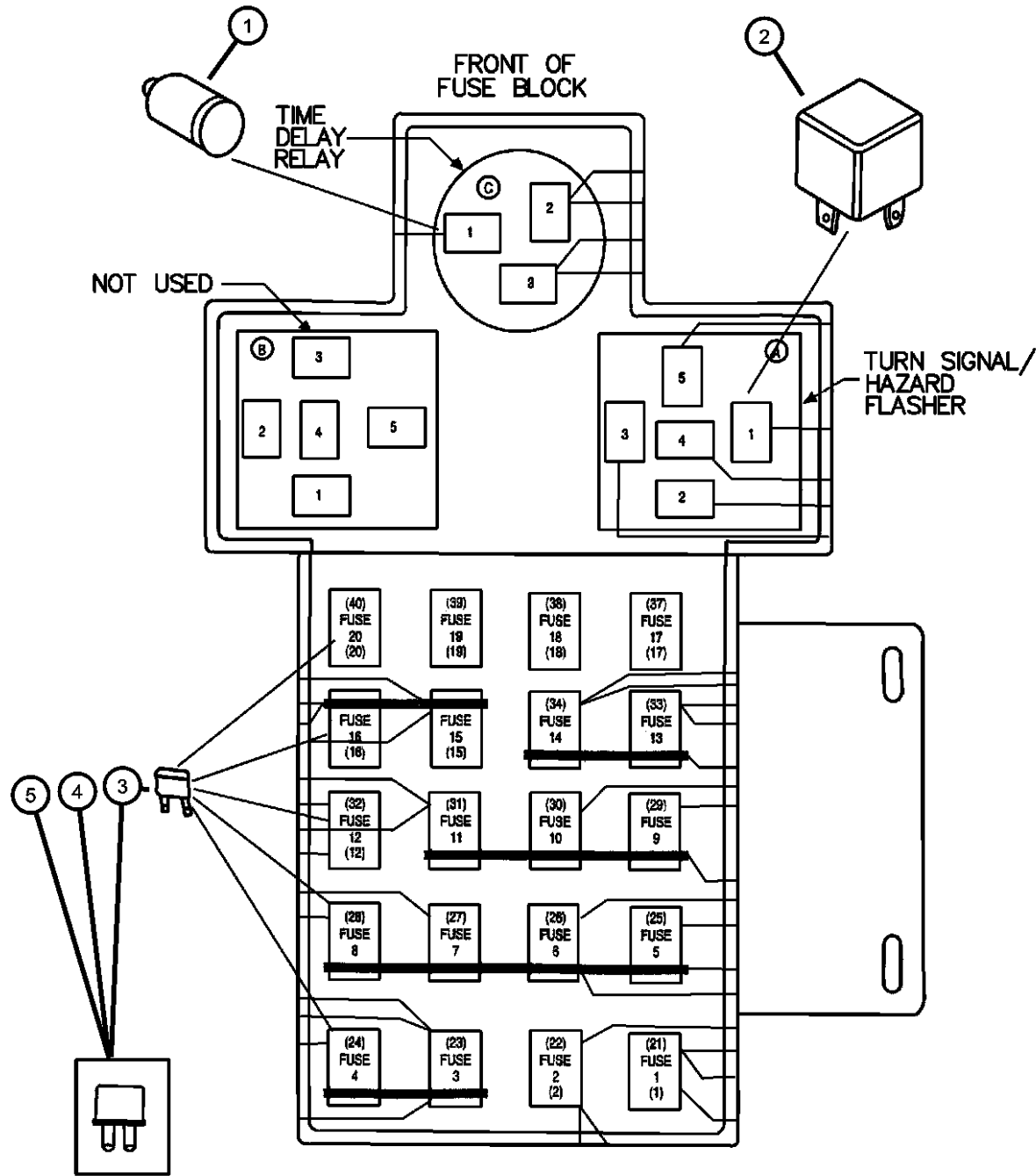
ITEM	PART NUMBER	QTY	LINE	SERIES	BODY	ENGINE	TRANS	TRIM	DESCRIPTION
1	04848879AB	4							RELAY, Electrical
2	04671168	8							RELAY, Mini
3	000ATM10	2							FUSE, Mini, 10 AMP, Red
4	000ATM15	4							FUSE, Mini, 15 AMP, Light Blue
5	000ATM20	2							FUSE, Mini, 20 AMP, Yellow
6	04687835	2							FUSE, Mini, 25 Amp, Natural
7	000MAX20	4							FUSE, Maxi, 20 AMP, Yellow
8	000MAX30	2							FUSE, Maxi, 30 Amp, Green
9	000MAX40	2							FUSE, Maxi, 40 AMP, Amber
10	000MAX50	1							FUSE, Maxi, 50 AMP, Red

VIPER GTS COUPE,VIPER RT/10 ROADSTER (SR)

SERIES	LINE	BODY	ENGINE	TRANSMISSION
S = RT/10	D = DODGE	27 = 2-DR CONVERTIBLE	EWB = Engine - 8.0L V10 SFI	DEC = 6-Speed Manual
S = GTS Coupe		29 = SPECIALTY COUPE	EW0 = All 8.0L Gas	DBB = All Manual
X = GTS/Lemans				

AR = use ase required - = Non illustrated part

Fuse Block, Front [Relays, Fuses, and Flasher]
Figure 8-510



ITEM	PART NUMBER	QTY	LINE	SERIES	BODY	ENGINE	TRANS	TRIM	DESCRIPTION
1	02889565	1							RELAY, Electrical, Ignition Lamp Time Delay
2	56007098	1							FLASHER
3	000ATM10	2							FUSE, Mini, 10 AMP, Red, Air Bag Controller
4	000ATM15	4							FUSE, Mini, 15 AMP, Light Blue
5	000ATM20	2							FUSE, Mini, 20 AMP, Yellow

VIPER GTS COUPE,VIPER RT/10 ROADSTER (SR)

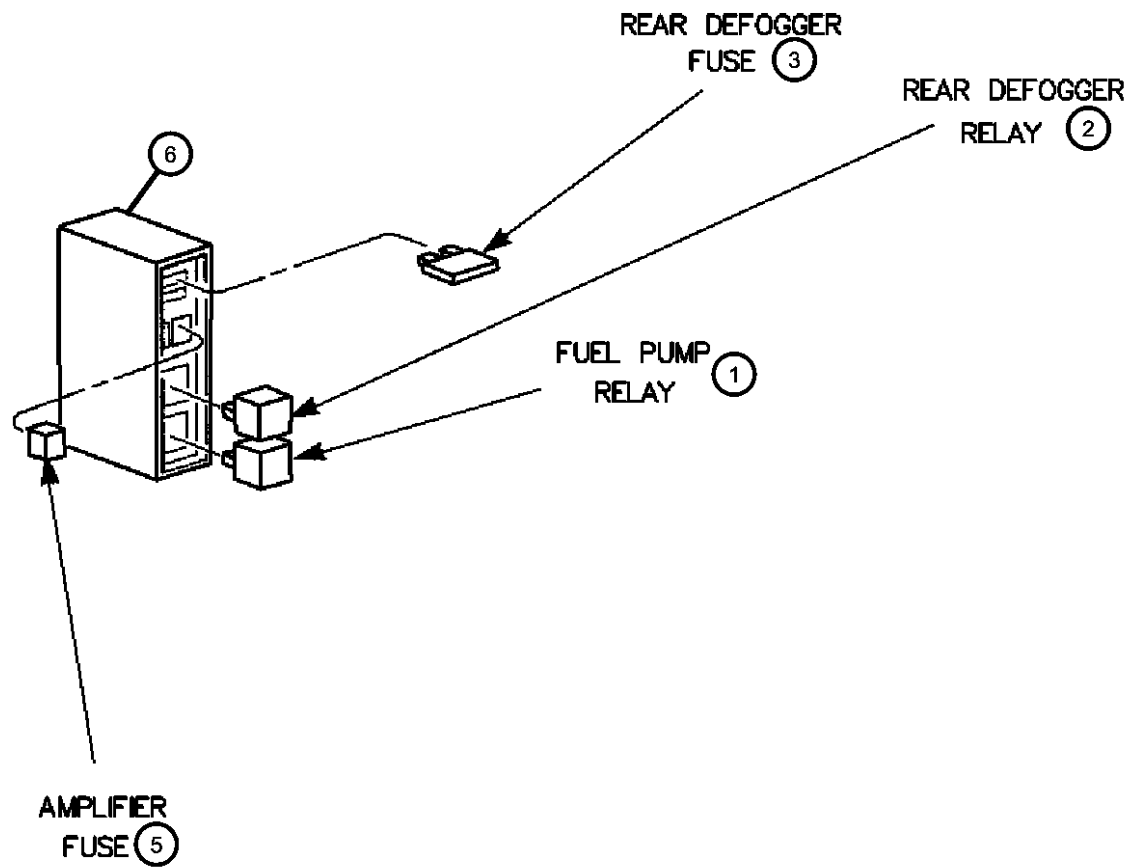
SERIES	LINE	BODY	ENGINE	TRANSMISSION
S = RT/10	D = DODGE	27 = 2-DR CONVERTIBLE	EWB = Engine - 8.0L V10 SFI	DEC = 6-Speed Manual
S = GTS Coupe		29 = SPECIALTY COUPE	EW0 = All 8.0L Gas	DBB = All Manual
X = GTS/Lemans				

AR = use ase required - = Non illustrated part

Fuse Block, Rear [Fuses and Relays]
Figure 8-515

REAR
FUSE/RELAY
BLOCK

ITEM	PART NUMBER	QTY	LINE	SERIES	BODY	ENGINE	TRANS	TRIM	DESCRIPTION
1	04848193	1							RELAY, Electrical, Fuel Pump
2	56005146	1			29				RELAY, Electrical, Heated Rear Window
3	000FLF30	1							CARTRIDGE, Fuseable Link, 30 Amp, Pink, Stereo Amp
-4	04414333	1			29				BREAKER, Circuit, Rear Defogger
5	000MAX30	1							FUSE, Maxi, 30 Amp, Green, Rear Defogger
6	000MAX30	1							BLOCK, Fuse, serviced in body harness, (NOT SERVICED)



VIPER GTS COUPE,VIPER RT/10 ROADSTER (SR)

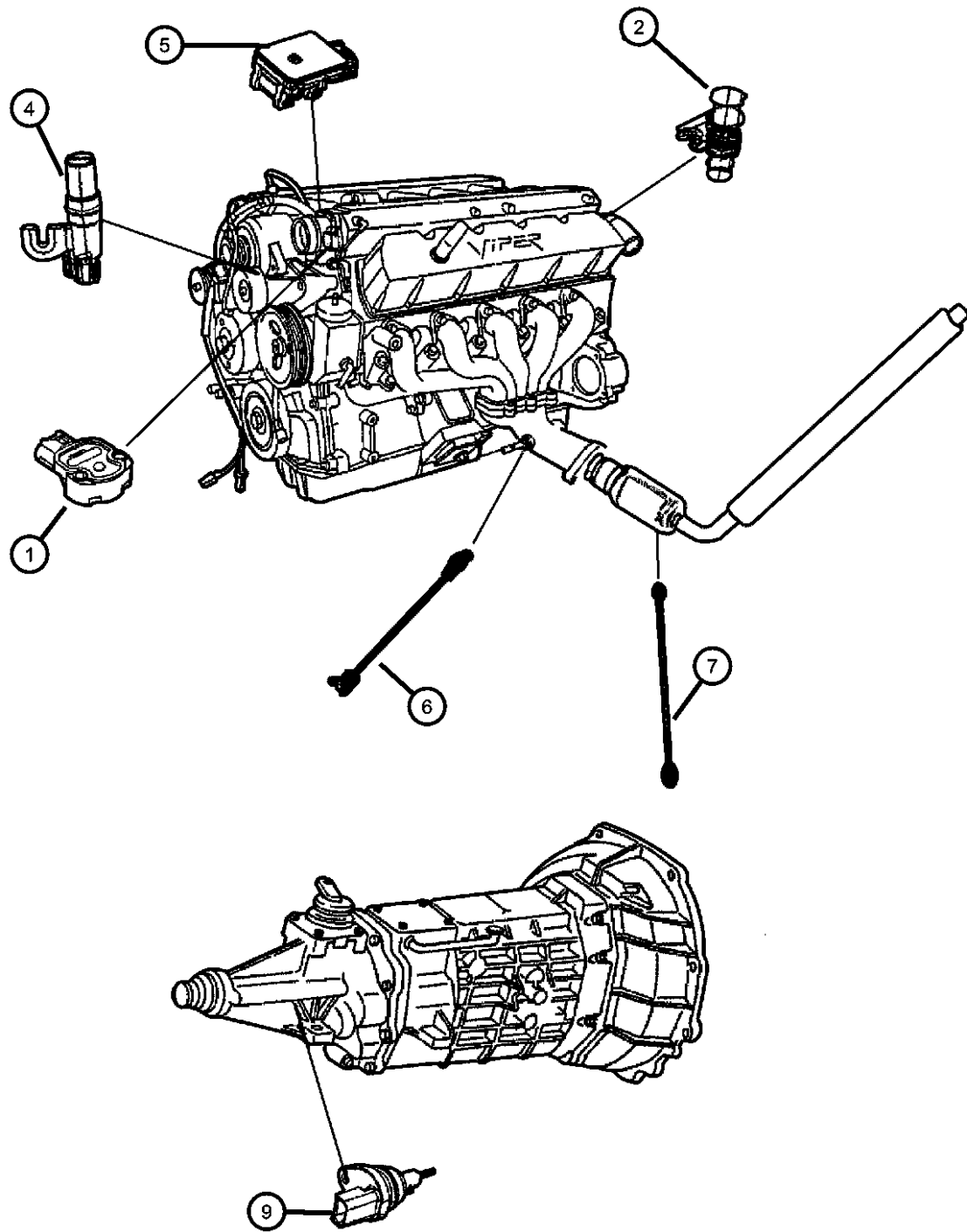
SERIES	LINE	BODY	ENGINE	TRANSMISSION
S = RT/10	D = DODGE	27 = 2-DR CONVERTIBLE	EWB = Engine - 8.0L V10 SFI	DEC = 6-Speed Manual
S = GTS Coupe		29 = SPECIALTY COUPE	EW0 = All 8.0L Gas	DBB = All Manual
X = GTS/Lemans				

AR = use ase required - = Non illustrated part

2001 SR

Sensors, Power Train
Figure 8-605

ITEM	PART NUMBER	QTY	LINE	SERIES	BODY	ENGINE	TRANS	TRIM	DESCRIPTION
EWB=8.0L V10 SFI DEC= MANUAL 6-SPEED									
1	04874371AB	1				EWB			SENSOR, Throttle Position
2	04848416	1				EWB			SENSOR, Crankshaft
-3	05245585	1				EWB			SHIELD, Crank Position Sensor
4	05245084	1				EWB			SENSOR, Camshaft
5	56029405	1				EWB			SENSOR, MAP
6	56041212AE	2				EWB			SENSOR, OxygenFront
7	56041212AF	2				EWB			SENSOR, OxygenRear
-8	06016152	2				EWB			CLIP, Rear Oxygen Sensor Wiring
9	04848214	1					DEC		SENSOR, Vehicle Speed
-10	04746271	1					DEC		SOLENOID, Transmission, Reverse Lockout



VIPER GTS COUPE,VIPER RT/10 ROADSTER (SR)

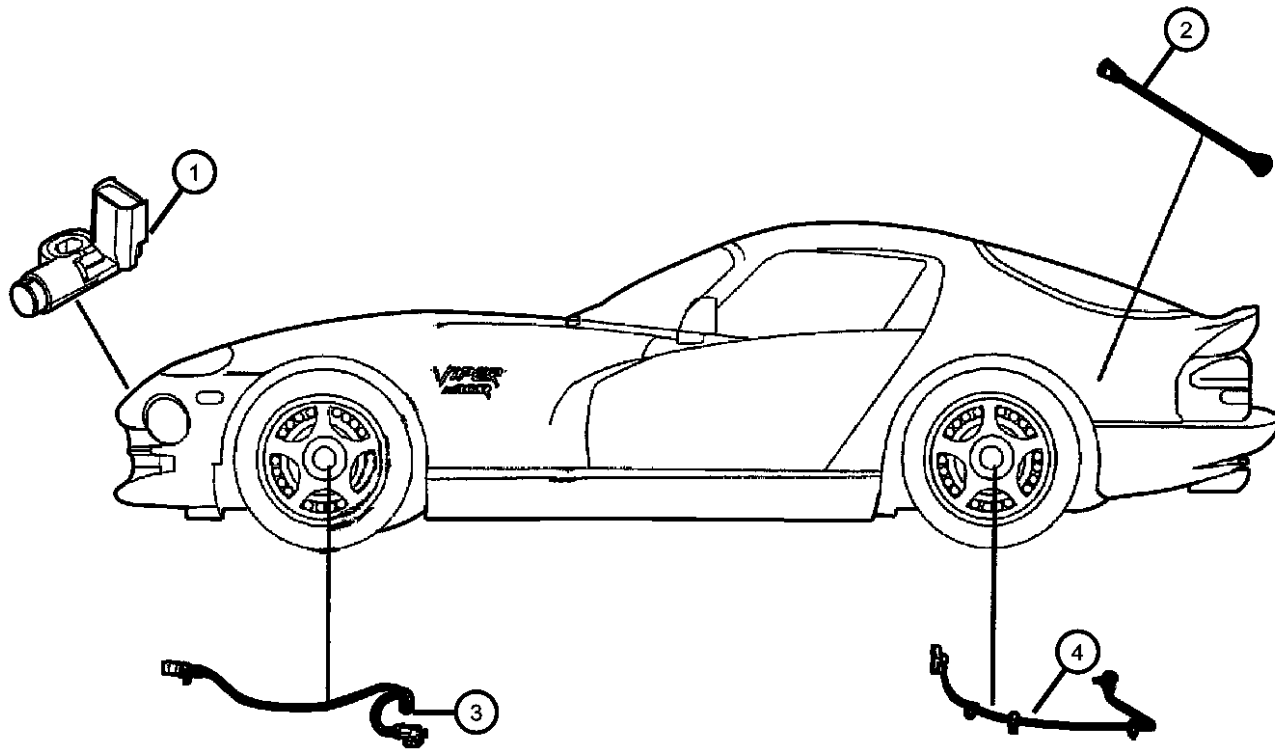
SERIES	LINE	BODY	ENGINE	TRANSMISSION
S = RT/10	D = DODGE	27 = 2-DR CONVERTIBLE	EWB = Engine - 8.0L V10 SFI	DEC = 6-Speed Manual
S = GTS Coupe		29 = SPECIALTY COUPE	EW0 = All 8.0L Gas	DBB = All Manual
X = GTS/Lemans				

AR = use ase required - = Non illustrated part

2001 SR

Sensors, Body
Figure 8-610

ITEM	PART NUMBER	QTY	LINE	SERIES	BODY	ENGINE	TRANS	TRIM	DESCRIPTION
1	05227805	1				EWB			SENSOR, Ambient Temperature
2	56028194	1							SENSOR, Battery Temperature
3	04854412AA	2				EWB	DEC		SENSOR, Anti-Lock BrakesFront
4	04854414AA	2				EWB	DEC		SENSOR, Anti-Lock BrakesRear

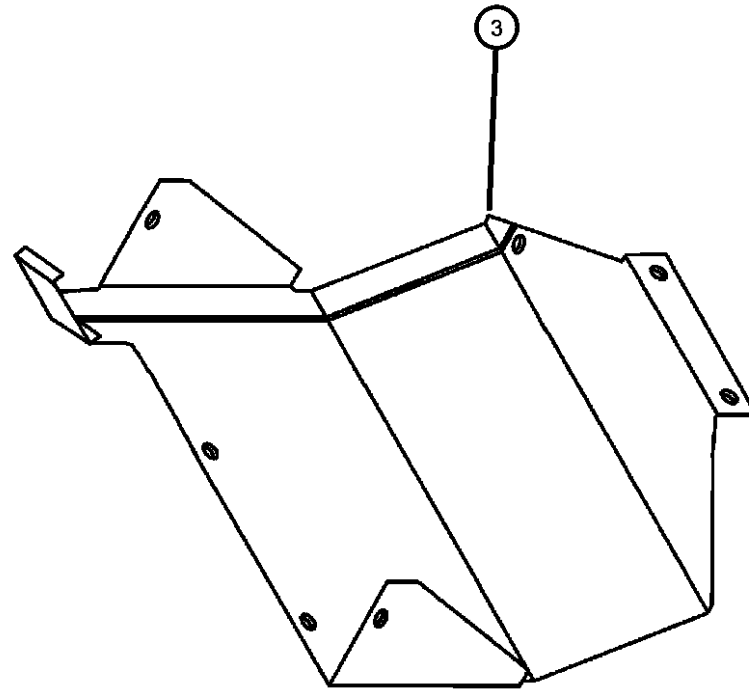
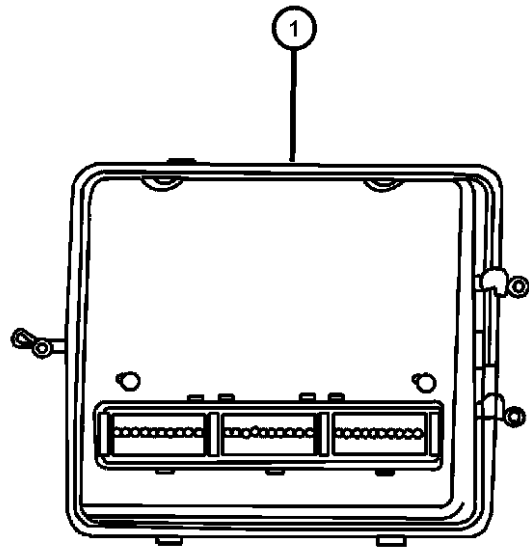


VIPER GTS COUPE,VIPER RT/10 ROADSTER (SR)

SERIES	LINE	BODY	ENGINE	TRANSMISSION
S = RT/10	D = DODGE	27 = 2-DR CONVERTIBLE	EWB = Engine - 8.0L V10 SFI	DEC = 6-Speed Manual
S = GTS Coupe		29 = SPECIALTY COUPE	EW0 = All 8.0L Gas	DBB = All Manual
X = GTS/Lemans				

AR = use ase required - = Non illustrated part

**Single Board Controllers
Figure 8-705**



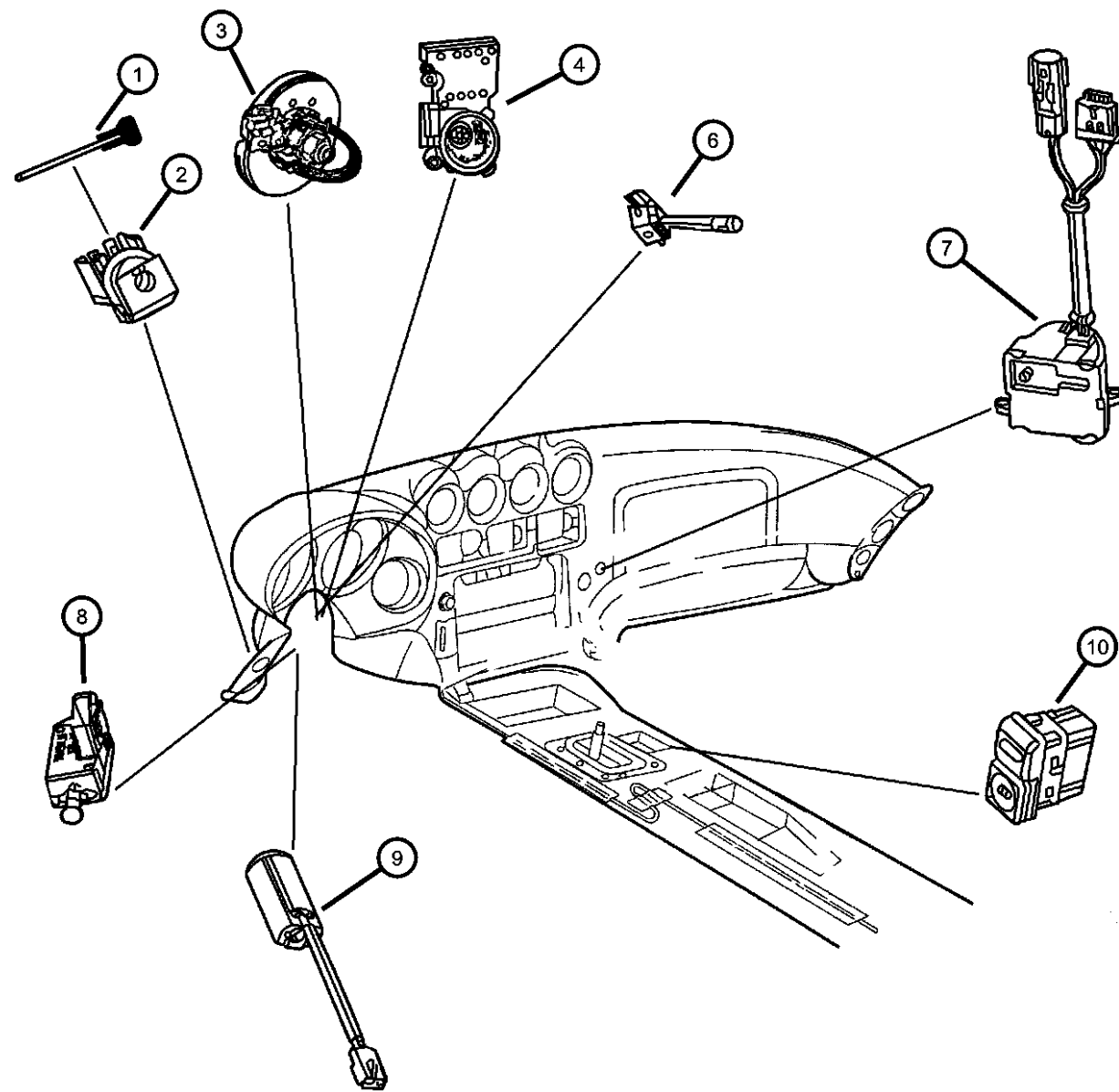
ITEM	PART NUMBER	QTY	LINE	SERIES	BODY	ENGINE	TRANS	TRIM	DESCRIPTION
1	04865667AA	1							MODULE, Engine Controller
	04865668AA	1			29				Export
-2	06034300	3							SCREW, Tapping, .19-16x1.75
3	04848160AB	1							COVER, Module
-4	04848160AB	1							SCREW, .190-16x.500, Cover mounting, (NOT SERVICED)

VIPER GTS COUPE,VIPER RT/10 ROADSTER (SR)

SERIES	LINE	BODY	ENGINE	TRANSMISSION
S = RT/10	D = DODGE	27 = 2-DR CONVERTIBLE	EWB = Engine - 8.0L V10 SFI	DEC = 6-Speed Manual
S = GTS Coupe		29 = SPECIALTY COUPE	EW0 = All 8.0L Gas	DBB = All Manual
X = GTS/Lemans				

AR = use ase required - = Non illustrated part

Switches Instrument Panel
Figure 8-805



ITEM	PART NUMBER	QTY	LINE	SERIES	BODY	ENGINE	TRANS	TRIM	DESCRIPTION
EWB= 8.0L V10 SFI DEC= MANUAL 6-SPEED									
1	04848135	1							KNOB, Head Lamp Switch
2	04763135	1							SWITCH, Headlamp
3	04848437	1							CLOCKSPRING
4	56021346	1							SWITCH, Ignition
-5	06503845	5							SCREW, Ignition Switch
6	04728424	1							SWITCH, Multifunction
7	04848934AA	1							SWITCH, Passenger Airbag Disarm
8	04671334	1							SWITCH, Stop Lamp
9	53007944AB	1							SWITCH, Clutch Starter Interlock
10	05245736	1					29		SWITCH, Electric Back Light

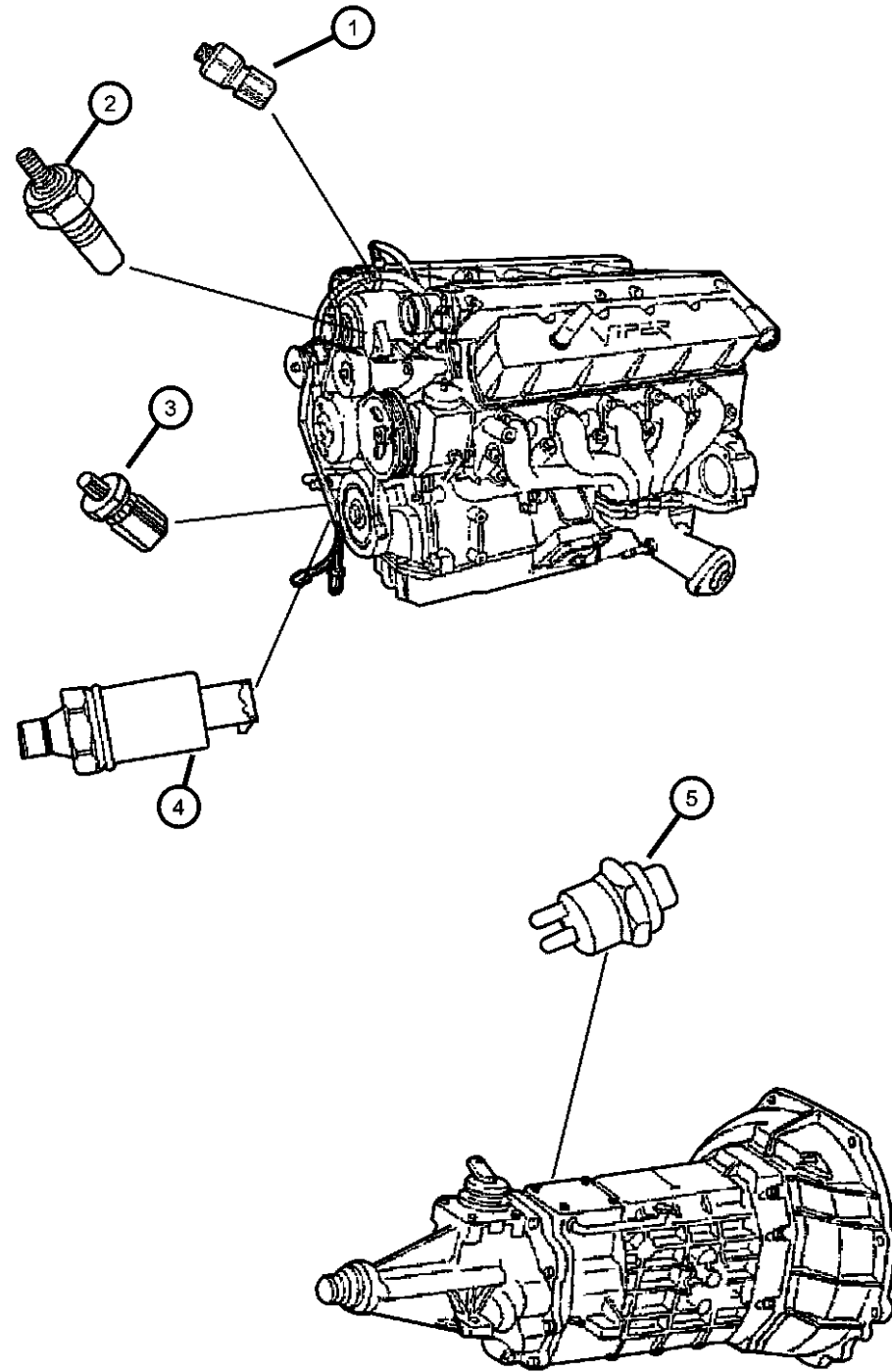
VIPER GTS COUPE,VIPER RT/10 ROADSTER (SR)

SERIES	LINE	BODY	ENGINE	TRANSMISSION
S = RT/10	D = DODGE	27 = 2-DR CONVERTIBLE	EWB = Engine - 8.0L V10 SFI	DEC = 6-Speed Manual
S = GTS Coupe		29 = SPECIALTY COUPE	EW0 = All 8.0L Gas	DBB = All Manual
X = GTS/Lemans				

AR = use ase required - = Non illustrated part

2001 SR

Switches Drivetrain
Figure 8-810



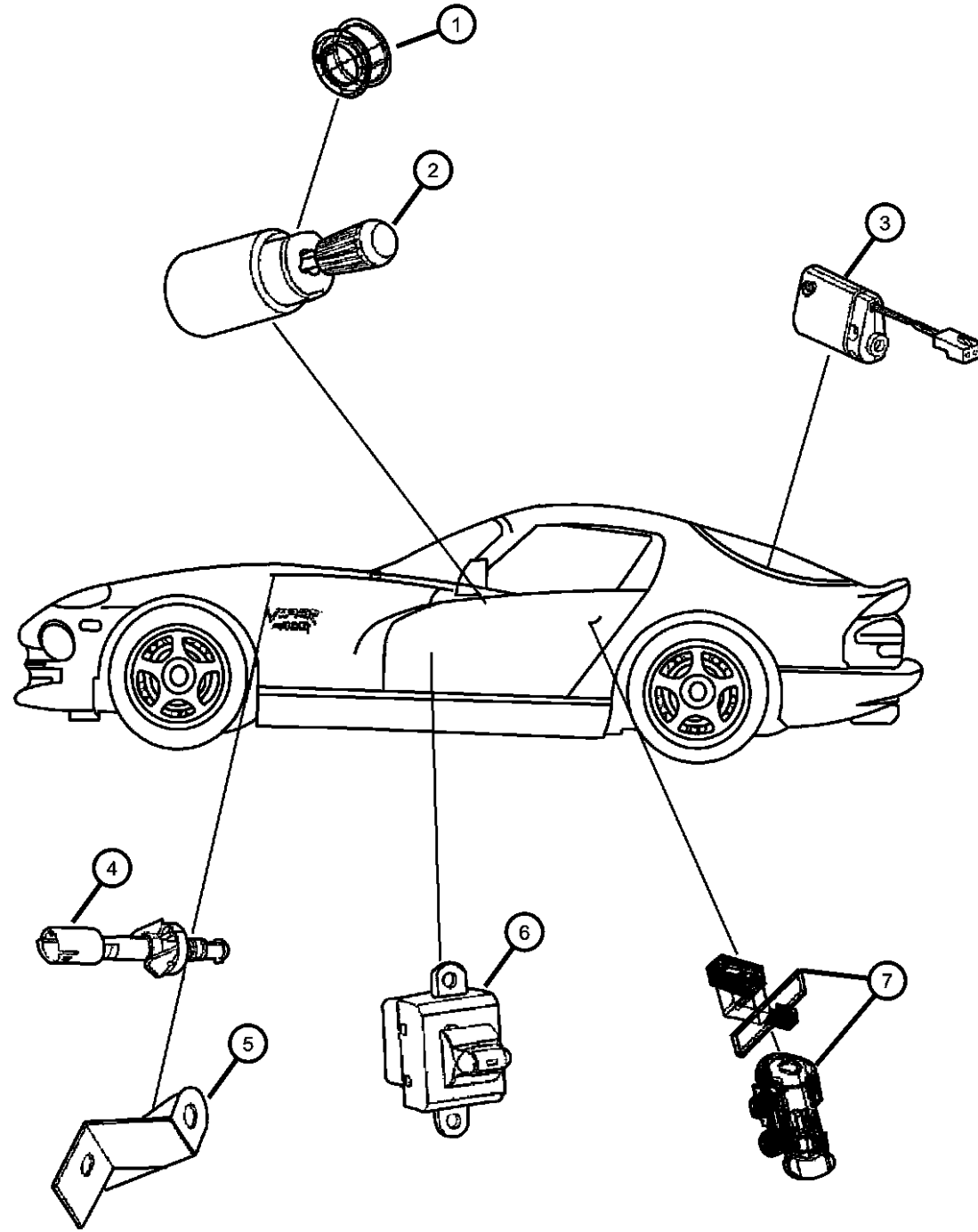
ITEM	PART NUMBER	QTY	LINE	SERIES	BODY	ENGINE	TRANS	TRIM	DESCRIPTION
1	04708204	1							SWITCH, Dual Pressure
2	04848110	1				EWB			SENDING UNIT, Temperature Gauge
3	04848295	1				EWB			SWITCH, Oil Pressure
4	56026779	1				EWB			SENDING UNIT, Oil Pressure
5	04626593	1					DEC		SWITCH, Back Up Lamp

VIPER GTS COUPE,VIPER RT/10 ROADSTER (SR)

SERIES	LINE	BODY	ENGINE	TRANSMISSION
S = RT/10	D = DODGE	27 = 2-DR CONVERTIBLE	EWB = Engine - 8.0L V10 SFI	DEC = 6-Speed Manual
S = GTS Coupe		29 = SPECIALTY COUPE	EW0 = All 8.0L Gas	DBB = All Manual
X = GTS/Lemans				

AR = use ase required - = Non illustrated part

Switches Body
Figure 8-815



ITEM	PART NUMBER	QTY	LINE	SERIES	BODY	ENGINE	TRANS	TRIM	DESCRIPTION
1	04854270AA	1							SWITCH, Mirror
2	04854304AA	1							NUT
3	04848149	1			29				SWITCH, Strut
4	04687594	1							SWITCH, Door Ajar
5	04848283AC	1							BRACKET, Wiring
6									SWITCH, Power Window
	04685434	2			29				
		2			27				
7	04848149	1			29				SWITCH, Strut
-8	04848150	2							SWITCH, Door Handle

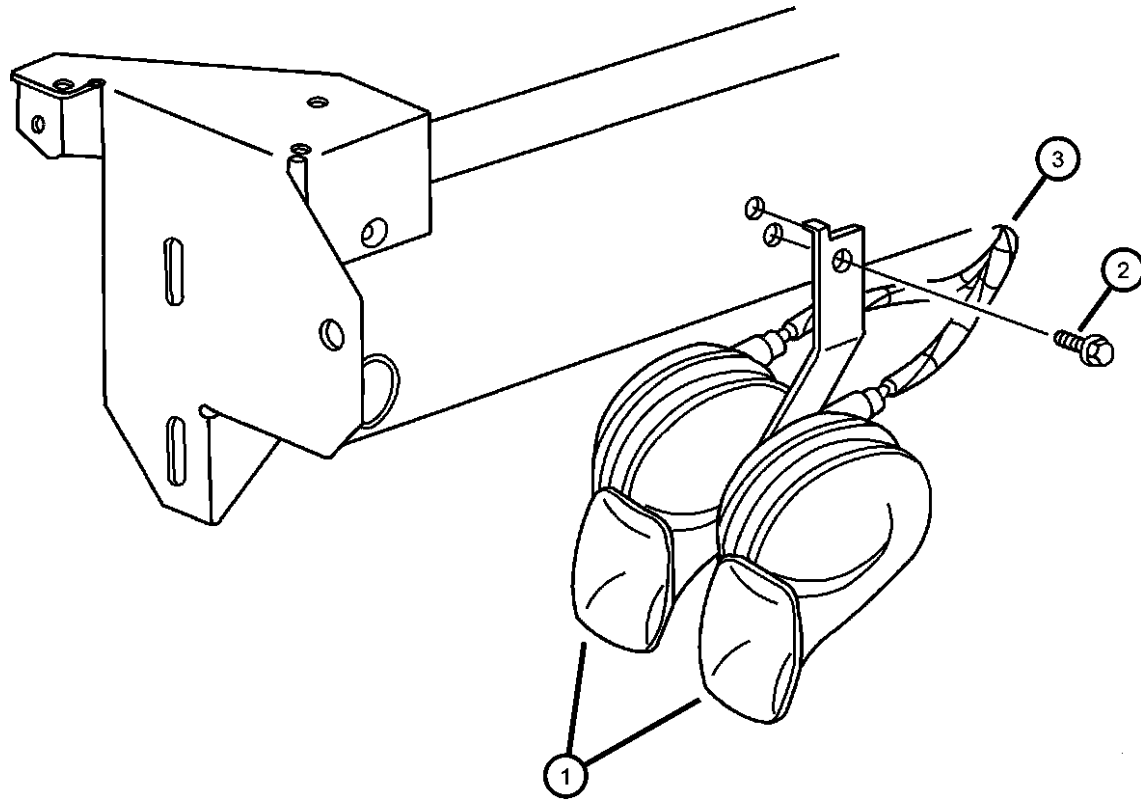
VIPER GTS COUPE,VIPER RT/10 ROADSTER (SR)

SERIES	LINE	BODY	ENGINE	TRANSMISSION
S = RT/10	D = DODGE	27 = 2-DR CONVERTIBLE	EWB = Engine - 8.0L V10 SFI	DEC = 6-Speed Manual
S = GTS Coupe		29 = SPECIALTY COUPE	EW0 = All 8.0L Gas	DBB = All Manual
X = GTS/Lemans				

AR = use ase required - = Non illustrated part

Horns
Figure 8-905

ITEM	PART NUMBER	QTY	LINE	SERIES	BODY	ENGINE	TRANS	TRIM	DESCRIPTION
1	04865499AA	1							HORN AND BRACKET, Dual
2	04865499AA	1							SCREW, .250-14x.875, Horn Attaching, (NOT SERVICED)
3	04865499AA	1							WIRING, Headlamp to Dash, See 8-1305, (NOT SERVICED)

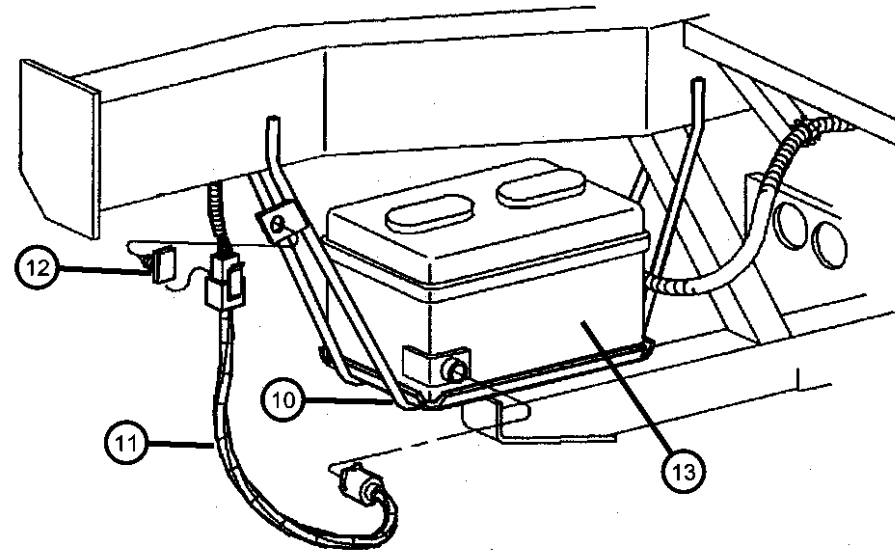
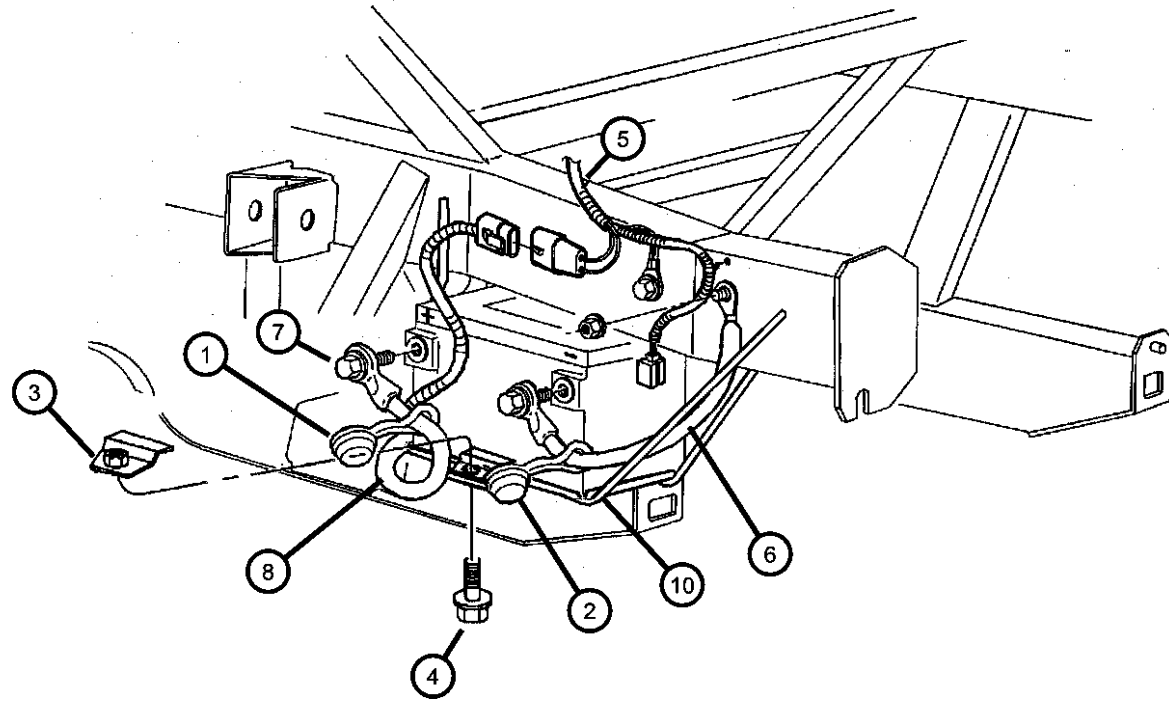


VIPER GTS COUPE,VIPER RT/10 ROADSTER (SR)

SERIES	LINE	BODY	ENGINE	TRANSMISSION
S = RT/10	D = DODGE	27 = 2-DR CONVERTIBLE	EWB = Engine - 8.0L V10 SFI	DEC = 6-Speed Manual
S = GTS Coupe		29 = SPECIALTY COUPE	EW0 = All 8.0L Gas	DBB = All Manual
X = GTS/Lemans				

AR = use ase required - = Non illustrated part

Battery Tray and Cables
Figure 8-1005



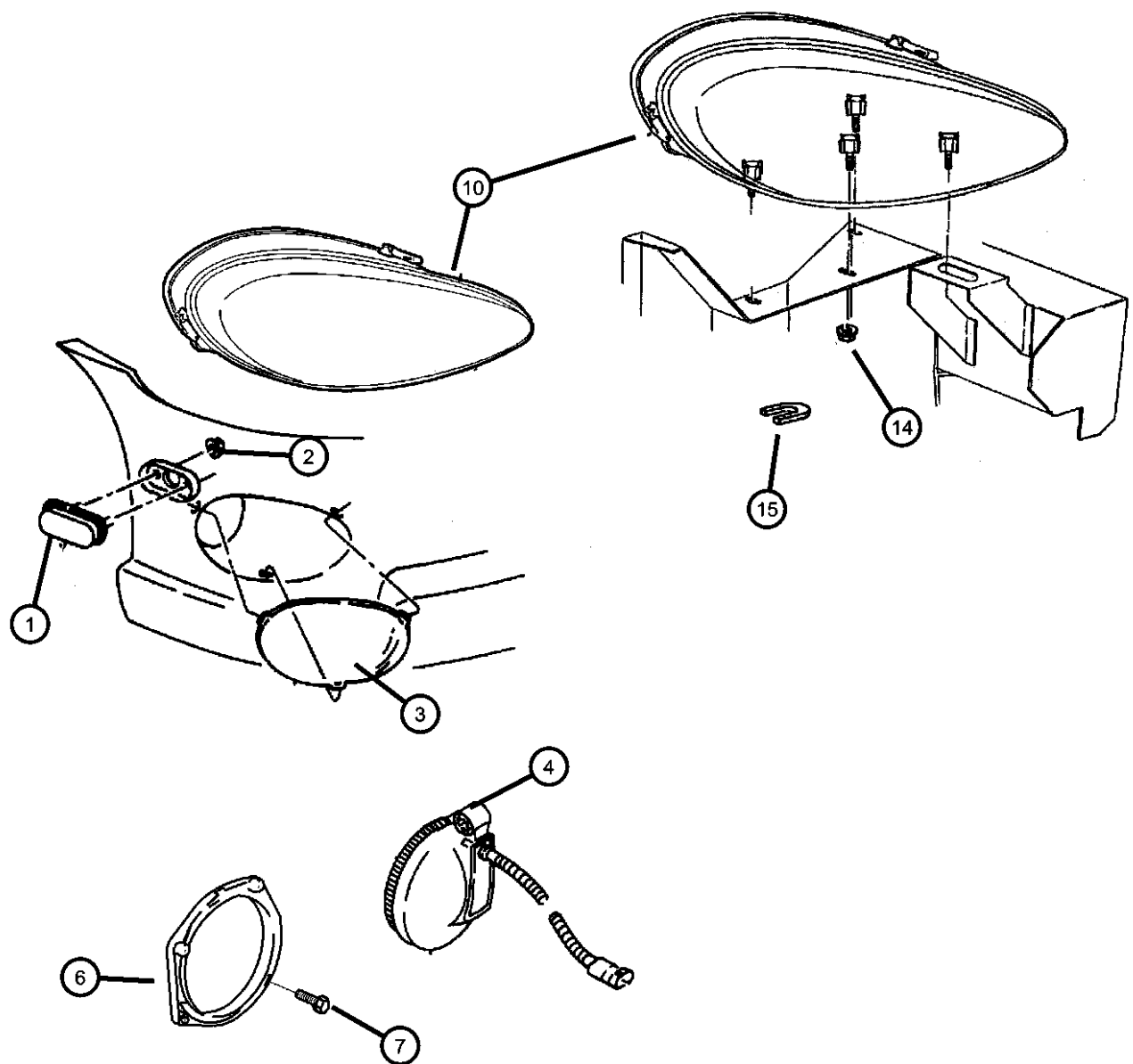
ITEM	PART NUMBER	QTY	LINE	SERIES	BODY	ENGINE	TRANS	TRIM	DESCRIPTION
1	04642924	1							COVER, Battery TerminalPositive Battery Cable
2	04642591	1							COVER, Battery Terminal, Negative Battery Cable
3	04763635	1							RETAINER, Battery Hold Down
4	06500584	1							SCREW AND WASHER, Hex Head, M8x1.25x30, Battery Retainer Attaching
5									WIRING, Body
	04794427AD	1			29				
	04854448AA	1			27				
6	04642610AC	1							WIRING, Battery Negative
7	04642589	1							BOLT, Hex Head, .375-16x.95
8	04763057AB	1							WIRING, Battery Positive
-9	04848923AA	1							LABEL, Battery, English French
10	04643305	1							TRAY, Battery
	0VU01207								Repair Battery Terminal End Side Post (Ten Per Box)
	BA078730EX								Mopar Power Pro 6
	0VU01205								Repair Battery Terminal End Top Post (Ten Per Box)
11	56028194	1							SENSOR, Battery Temperature
12	56028194	1							CLIP, (NOT SERVICED)
13	56028194	1							BATTERY, See Battery Application Catalog, (NOT SERVICED)

VIPER GTS COUPE,VIPER RT/10 ROADSTER (SR)

SERIES	LINE	BODY	ENGINE	TRANSMISSION
S = RT/10	D = DODGE	27 = 2-DR CONVERTIBLE	EWB = Engine - 8.0L V10 SFI	DEC = 6-Speed Manual
S = GTS Coupe		29 = SPECIALTY COUPE	EW0 = All 8.0L Gas	DBB = All Manual
X = GTS/Lemans				

AR = use ase required - = Non illustrated part

Lamps and Wiring - Front
Figure 8-1105



ITEM	PART NUMBER	QTY	LINE	SERIES	BODY	ENGINE	TRANS	TRIM	DESCRIPTION
ACR=COMPETITION GROUP									
1									LAMP, Side Marker
	04642930	2			29				
		2			27				
2									NUT AND WASHER, Hex Nut-Coned Washer, .190-24 Side Marker Lamp Attaching
	06025002	4			29				
		4			27				
3	04865448AA	2			29				COVER, Fog Lamp, Fog Lamp Filler, (ACR)
4									LAMP, Fog
	05245104	2			29				
		2			27				
-5	L00H355W	6			29				BULB, Fog Lamp, H-3 55 WATT
6									BRACKET, Fog Lamp
	05245172	2			27				
		2			29				
7									SCREW, Hex Flange Head Bracket to Fascia
	00154150	6			29				
		6			27				Bracket to Fascia
-8									SCREW, .19-16x.75 Fog Lamp to Bracket
	06033526	4			29				
		4			27				Fog Lamp to Bracket
-9									SEAL, Fog Lamp, Serviced in Fog Lamp Assembly, (NOT SERVICED), HEADLAMP
10									HEADLAMP
	04848062AD	1							Right
	04848063AD	1							Left
-11	L0009005	1							BULB, Headlamp
-12	L000009011	1							BULB, 9011, high beam, Right & Left
-13	L0003157NA	1							BULB, 3157 NAK, Park, Turn Signal Lamp
	L0003157ST								SilverStar
14	06504572	8							NUT AND WASHER, Hex Nut-Coned Washer, M8 x 1.25Headlamp Mounting

VIPER GTS COUPE,VIPER RT/10 ROADSTER (SR)

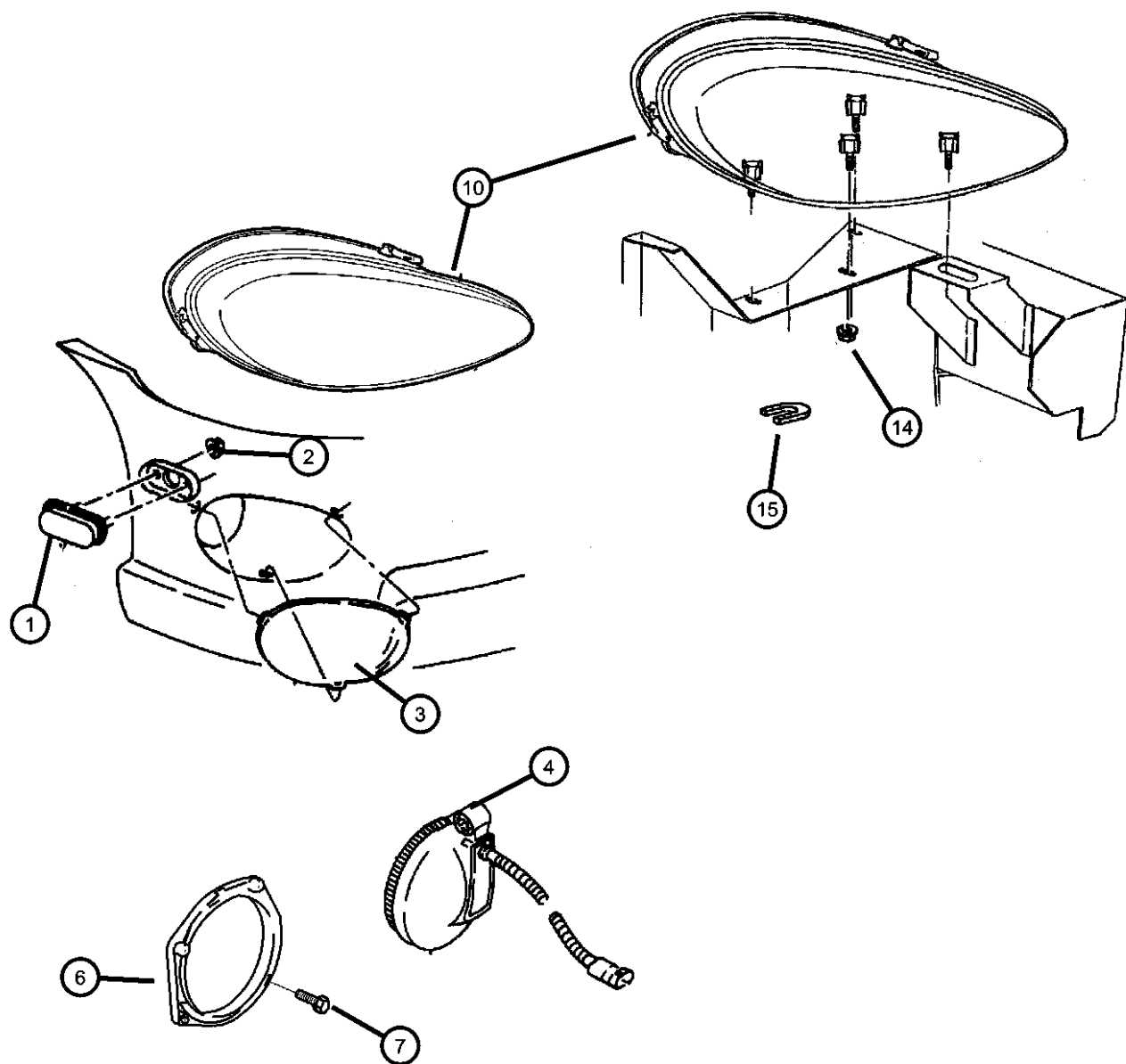
SERIES	LINE	BODY	ENGINE	TRANSMISSION
S = RT/10	D = DODGE	27 = 2-DR CONVERTIBLE	EWB = Engine - 8.0L V10 SFI	DEC = 6-Speed Manual
S = GTS Coupe		29 = SPECIALTY COUPE	EW0 = All 8.0L Gas	DBB = All Manual
X = GTS/Lemans				

AR = use ase required - = Non illustrated part

2001 SR

Lamps and Wiring - Front
Figure 8-1105

ITEM	PART NUMBER	QTY	LINE	SERIES	BODY	ENGINE	TRANS	TRIM	DESCRIPTION
15	04643463	AR							SHIM, Hood Latch, Headlamp Track
-16	04708012	4							NUT, Wing



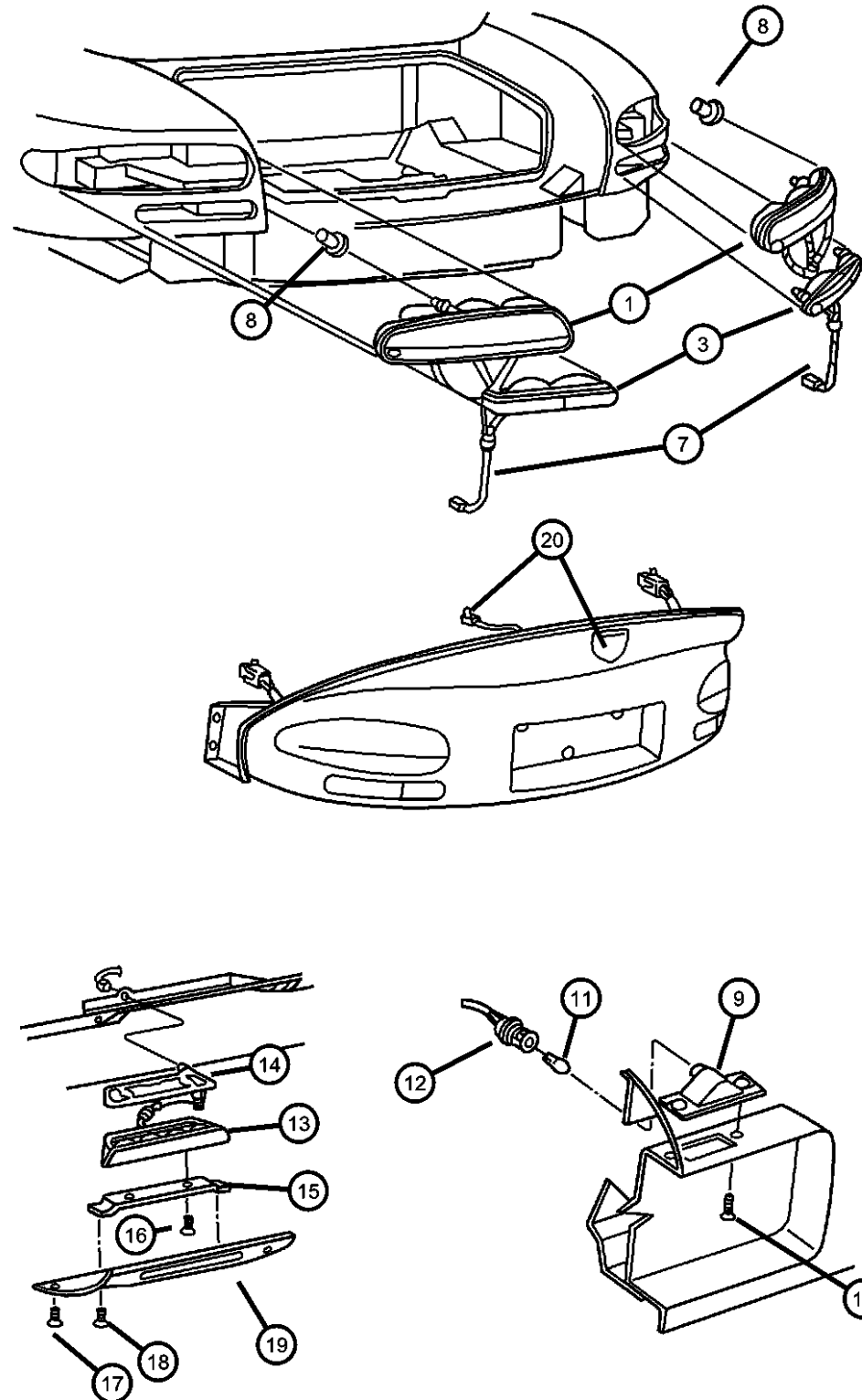
VIPER GTS COUPE,VIPER RT/10 ROADSTER (SR)

SERIES	LINE	BODY	ENGINE	TRANSMISSION
S = RT/10	D = DODGE	27 = 2-DR CONVERTIBLE	EWB = Engine - 8.0L V10 SFI	DEC = 6-Speed Manual
S = GTS Coupe		29 = SPECIALTY COUPE	EW0 = All 8.0L Gas	DBB = All Manual
X = GTS/Lemans				

AR = use ase required - = Non illustrated part

2001 SR

Lamps and Wiring - Rear
Figure 8-1110



ITEM	PART NUMBER	QTY	LINE	SERIES	BODY	ENGINE	TRANS	TRIM	DESCRIPTION
1	04848420	1			29				LAMP, Tail Stop Turn Right
		1			27				Right
	04848421	1			29				Left
		1			27				Left
-2									BULB, 3157
	L0003157	3			29				
		3			27				
3									LAMP, Back-Up and Turn Signal
	04642100	1			29				Right
		1			27				Right
	04642101	1			29				Left
		1			27				Left
-4									SOCKET, Park, Turn, and Side Lamp
	04399900	1			29				
		1			27				
-5									SOCKET, Cornering Lamp
	04523105	1			29				Backup Lamp
		1			27				Backup Lamp
-6									SEAL
	04399599	1			29				Turn Signal And Side Marker Lamp
		1			27				Turn Signal And Side Marker Lamp
7									WIRING, Taillamp
	04848422	1			29				
		1			27				
8									NUT, Wing, M6
	06502589	10			29				Tail Lamp Attaching
		10			27				Tail Lamp Attaching
9									LAMP, License Plate
	04642929	2			29				
		2			27				
10									SCREW, Tapping, .19-16x.75, License Lamp Attaching, (NOT SERVICED)
		2							
11	L0000168	2			27				BULB, 168License Lamp

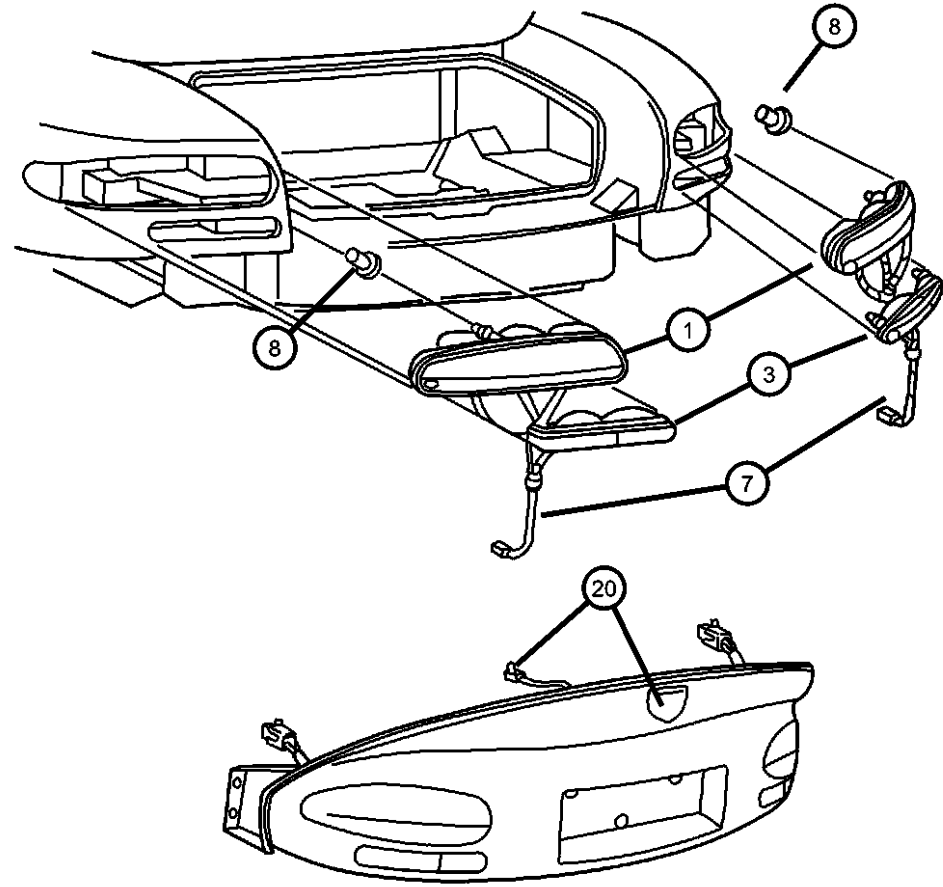
VIPER GTS COUPE,VIPER RT/10 ROADSTER (SR)

SERIES	LINE	BODY	ENGINE	TRANSMISSION
S = RT/10	D = DODGE	27 = 2-DR CONVERTIBLE	EWB = Engine - 8.0L V10 SFI	DEC = 6-Speed Manual
S = GTS Coupe		29 = SPECIALTY COUPE	EW0 = All 8.0L Gas	DBB = All Manual
X = GTS/Lemans				

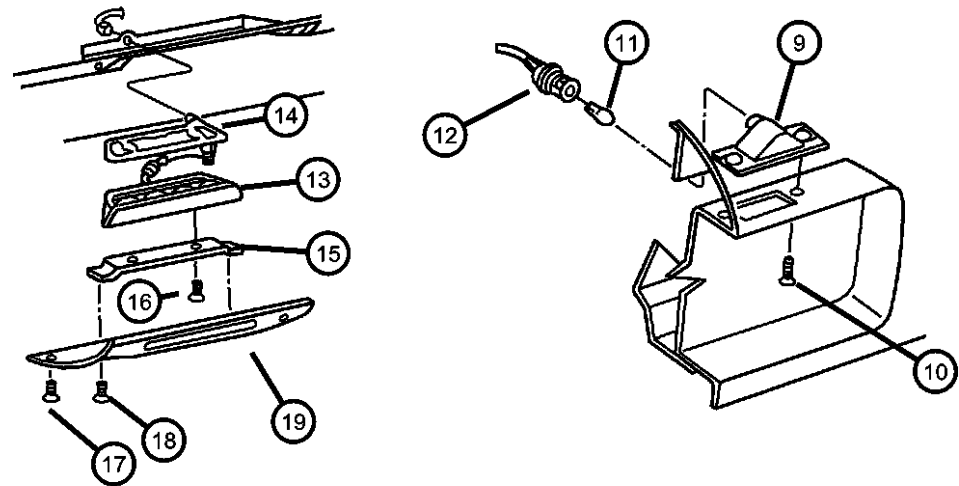
AR = use ase required - = Non illustrated part

2001 SR

Lamps and Wiring - Rear
Figure 8-1110



ITEM	PART NUMBER	QTY	LINE	SERIES	BODY	ENGINE	TRANS	TRIM	DESCRIPTION
12	L0000168	2							WIRING, License Lamp, Serviced in Uni-Body Harness, (NOT SERVICED)
13	04642571	1			27				LAMP, High Mounted Stop
14	04643600	1			27				SEAL, High Mounted Stop Lamp
15	04643601	1			27				BRACKET, High Mounted Stop Lamp
16	34201942	2			27				CLIP, Panel Fastener
17	34201942	2							SCREW, (NOT SERVICED)
18	34201942	2							SCREW, (NOT SERVICED)
19	04642910	1			27				PANEL, Chmsl Cover, P.A.R.
20	04763042	1			29				LAMP, Liftgate Chmsl



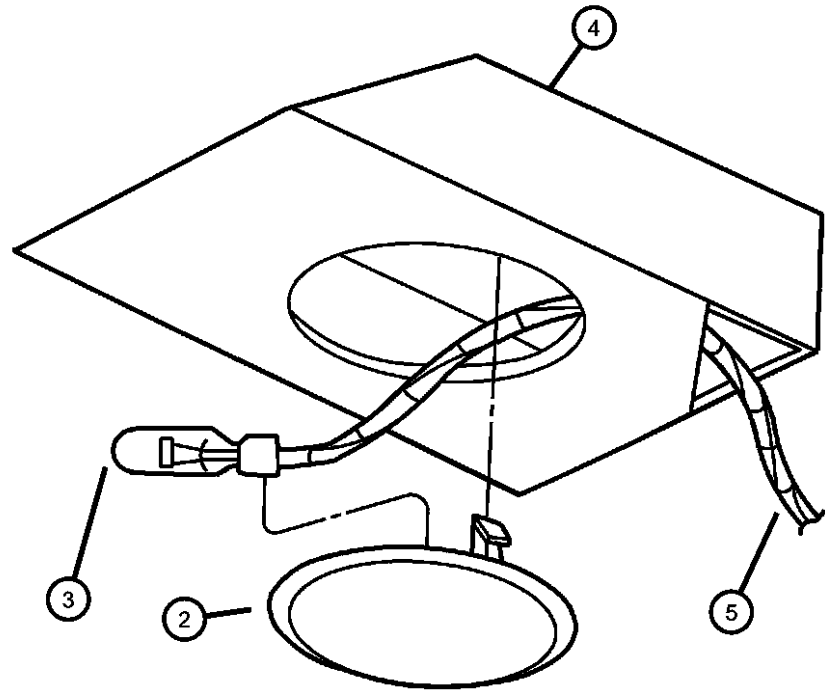
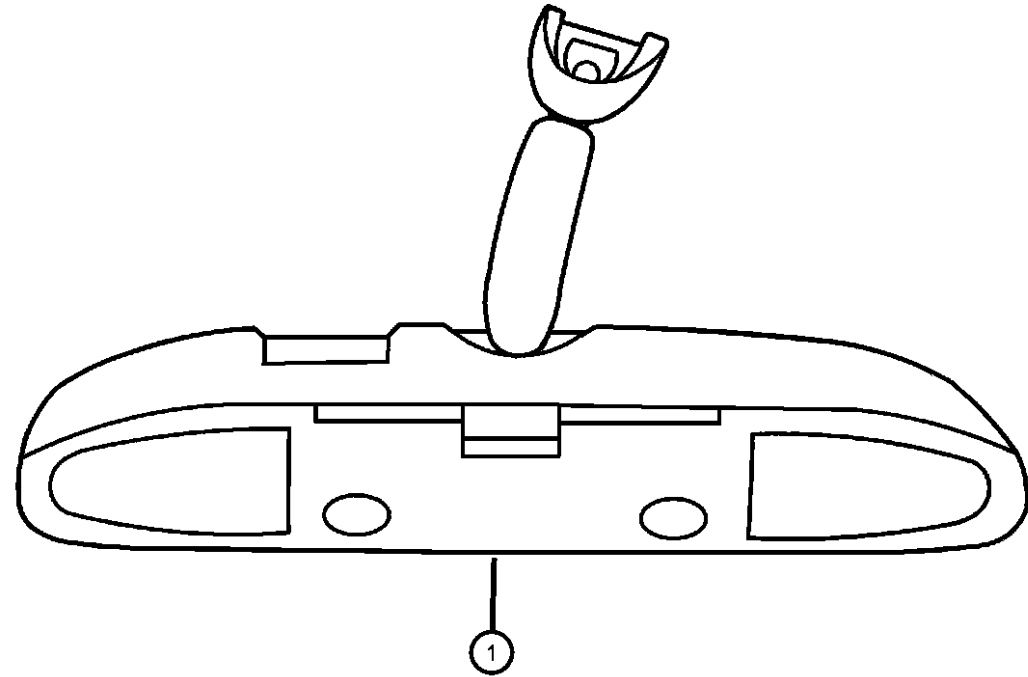
VIPER GTS COUPE,VIPER RT/10 ROADSTER (SR)

SERIES	LINE	BODY	ENGINE	TRANSMISSION
S = RT/10	D = DODGE	27 = 2-DR CONVERTIBLE	EWB = Engine - 8.0L V10 SFI	DEC = 6-Speed Manual
S = GTS Coupe		29 = SPECIALTY COUPE	EW0 = All 8.0L Gas	DBB = All Manual
X = GTS/Lemans				

AR = use ase required - = Non illustrated part

Courtesy Lamps
Figure 8-1115

ITEM	PART NUMBER	QTY	LINE	SERIES	BODY	ENGINE	TRANS	TRIM	DESCRIPTION
1	05027213AA	1			27				MIRROR, Inside Rear View, Lighted, W/Courtesy Lamp
2	05209554	1			29				LENS, Cargo Lamp
3	L0000168	2			29				BULB, 168
4	04848767	1			29				BRACKET, Trunk Lamp Mounting
5	04848767	1							WIRING, Body, see 8 1505, (NOT SERVICED)



VIPER GTS COUPE,VIPER RT/10 ROADSTER (SR)

SERIES	LINE	BODY	ENGINE	TRANSMISSION
S = RT/10	D = DODGE	27 = 2-DR CONVERTIBLE	EWB = Engine - 8.0L V10 SFI	DEC = 6-Speed Manual
S = GTS Coupe		29 = SPECIALTY COUPE	EW0 = All 8.0L Gas	DBB = All Manual
X = GTS/Lemans				

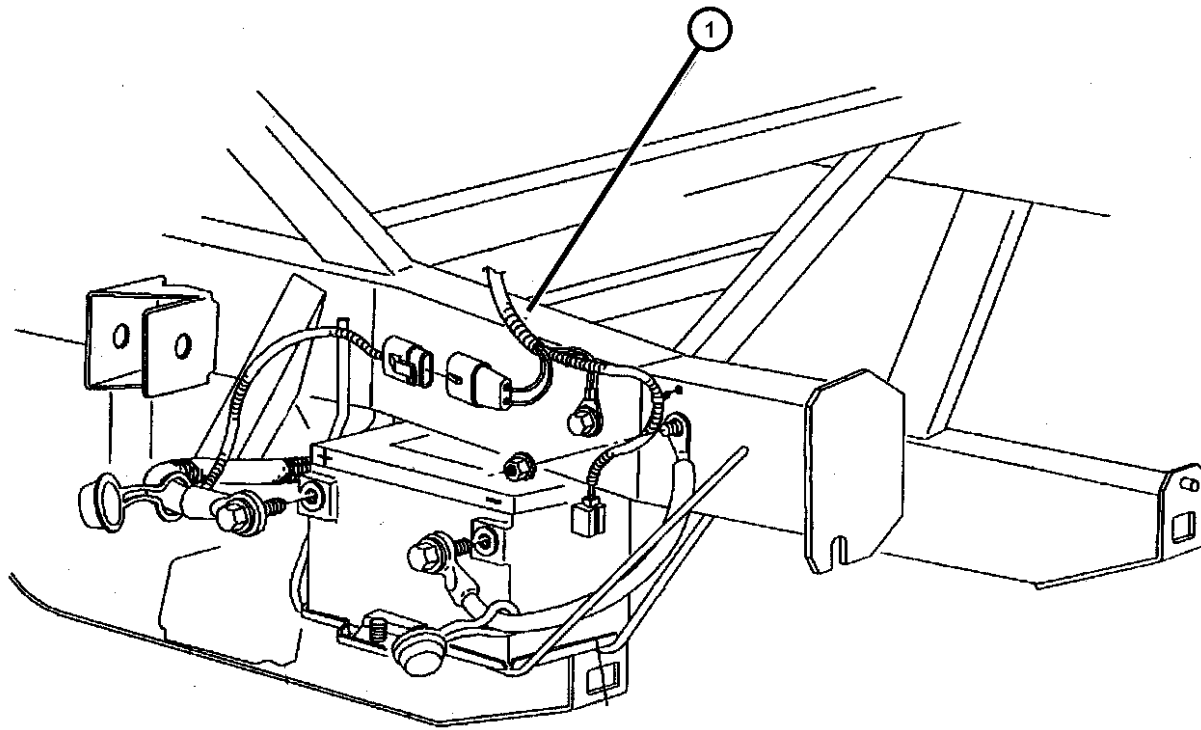
AR = use ase required - = Non illustrated part

**Wiring - Engine and Related Parts
Figure 8-1205**

ITEM	PART NUMBER	QTY	LINE	SERIES	BODY	ENGINE	TRANS	TRIM	DESCRIPTION
------	-------------	-----	------	--------	------	--------	-------	------	-------------

EWB=8.0L V10 SFI

1									WIRING, Engine
	04763760AC	1				EWB			Upper
	04848501AC	1				EWB			Intake Manifold
-2	04848285AC	1				EWB			WIRING, Alternator
-3	04848860AA	1				EWB			BRACKET, Wire Harness, 1/4x1/4
-4	04848344AB	1				EWB			BRACKET, Wiring Harness, Intake Manifold Wiring
-5	04642610AC	1							WIRING, Battery Negative
-6	04848507	1				EWB			WIRING, Engine Ground
-7	05245041	1							WIRING, Transmission



VIPER GTS COUPE,VIPER RT/10 ROADSTER (SR)

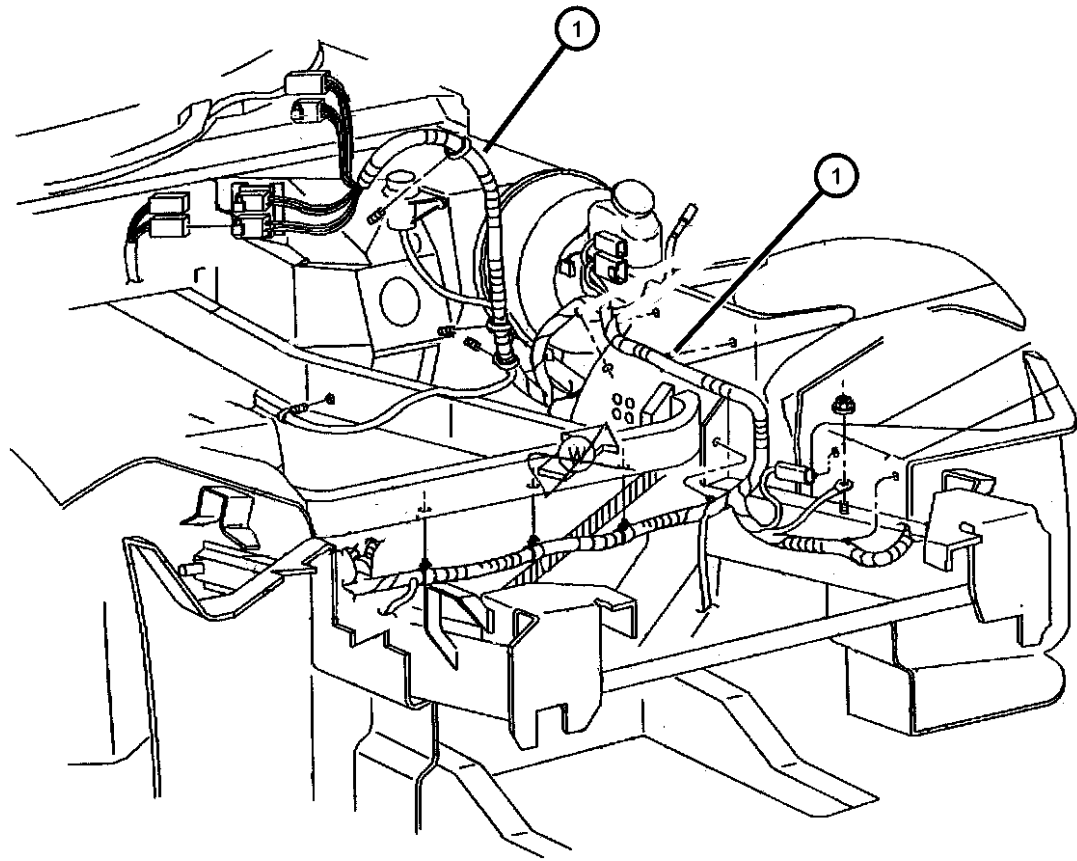
SERIES	LINE	BODY	ENGINE	TRANSMISSION
S = RT/10	D = DODGE	27 = 2-DR CONVERTIBLE	EWB = Engine - 8.0L V10 SFI	DEC = 6-Speed Manual
S = GTS Coupe		29 = SPECIALTY COUPE	EW0 = All 8.0L Gas	DBB = All Manual
X = GTS/Lemans				

AR = use ase required - = Non illustrated part

2001 SR

Wiring - Headlamp to Dash
Figure 8-1305

ITEM	PART NUMBER	QTY	LINE	SERIES	BODY	ENGINE	TRANS	TRIM	DESCRIPTION
1	04865422AB	1							WIRING, Headlamp and Dash

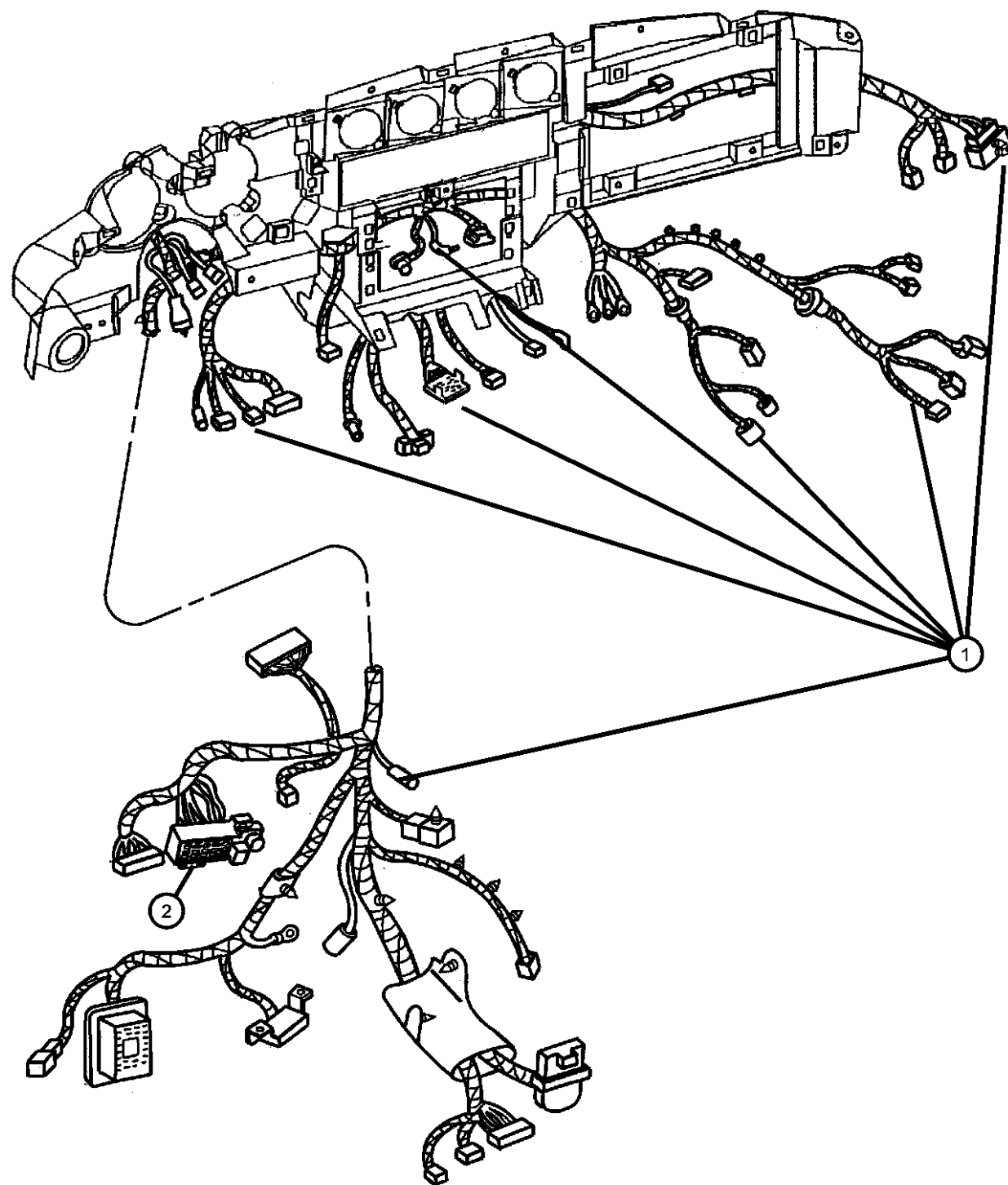


VIPER GTS COUPE,VIPER RT/10 ROADSTER (SR)

SERIES	LINE	BODY	ENGINE	TRANSMISSION
S = RT/10	D = DODGE	27 = 2-DR CONVERTIBLE	EWB = Engine - 8.0L V10 SFI	DEC = 6-Speed Manual
S = GTS Coupe		29 = SPECIALTY COUPE	EW0 = All 8.0L Gas	DBB = All Manual
X = GTS/Lemans				

AR = use ase required - = Non illustrated part

Wiring - Instrument Panel
Figure 8-1405



ITEM	PART NUMBER	QTY	LINE	SERIES	BODY	ENGINE	TRANS	TRIM	DESCRIPTION
1	04865420AD	1							WIRING, Instrument Panel
2	04865420AD	1							BLOCK, Fuse, (Pia in Wire Harness), (NOT SERVICED)
-3	04848297	1							COVER, Fuseblock
-4	04848579	1							LABEL, Fuse Block
-5	56007098	1							FLASHER
-6	04414333	1					29		BREAKER, Circuit, Rear Defroster

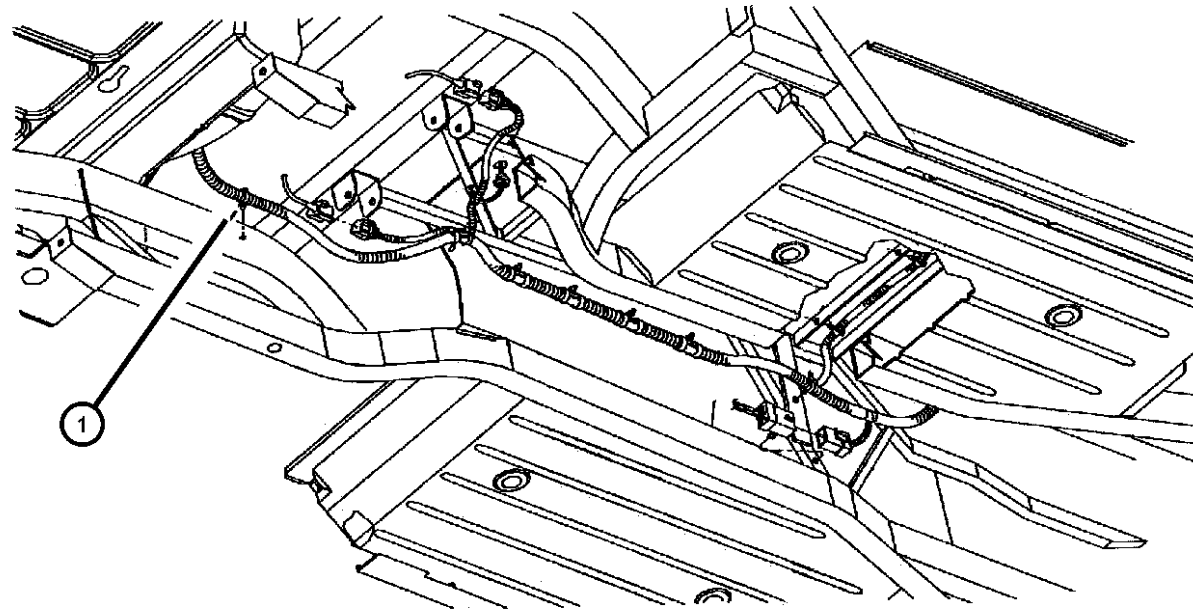
VIPER GTS COUPE,VIPER RT/10 ROADSTER (SR)

SERIES	LINE	BODY	ENGINE	TRANSMISSION
S = RT/10	D = DODGE	27 = 2-DR CONVERTIBLE	EWB = Engine - 8.0L V10 SFI	DEC = 6-Speed Manual
S = GTS Coupe		29 = SPECIALTY COUPE	EW0 = All 8.0L Gas	DBB = All Manual
X = GTS/Lemans				

AR = use ase required - = Non illustrated part

2001 SR

Wiring - Body and Accessories
Figure 8-1505



ITEM	PART NUMBER	QTY	LINE	SERIES	BODY	ENGINE	TRANS	TRIM	DESCRIPTION
1									WIRING, Body
	04794427AD	1			29				
	04854448AA	1			27				
-2	05245041	1							WIRING, Transmission
-3	04763057AB	1							WIRING, Battery Positive
-4	04642610AC	1							WIRING, Battery Negative
-5									WIRING, Door
	04763075AE	1							Left
	04763076AE	1							Right
-6	04848156AC	1			29				WIRING, Electric Back Light

VIPER GTS COUPE,VIPER RT/10 ROADSTER (SR)

SERIES	LINE	BODY	ENGINE	TRANSMISSION
S = RT/10	D = DODGE	27 = 2-DR CONVERTIBLE	EWB = Engine - 8.0L V10 SFI	DEC = 6-Speed Manual
S = GTS Coupe		29 = SPECIALTY COUPE	EW0 = All 8.0L Gas	DBB = All Manual
X = GTS/Lemans				

AR = use ase required - = Non illustrated part

**Connector Repair Package
Figure 8-1605**

ITEM	PART NUMBER	QTY	LINE	SERIES	BODY	ENGINE	TRANS	TRIM	DESCRIPTION
-1	05013930AB	1							WIRING PACKAGE, Underhood Connector Repair, For Electrical Connector Repair Information visit the World Wide Web at http://dto.vftis.com/mopar/disclaimer.asp

For Electrical Connector Repair Information visit the World Wide Web at

<http://dto.vftis.com/mopar/disclaimer.asp>

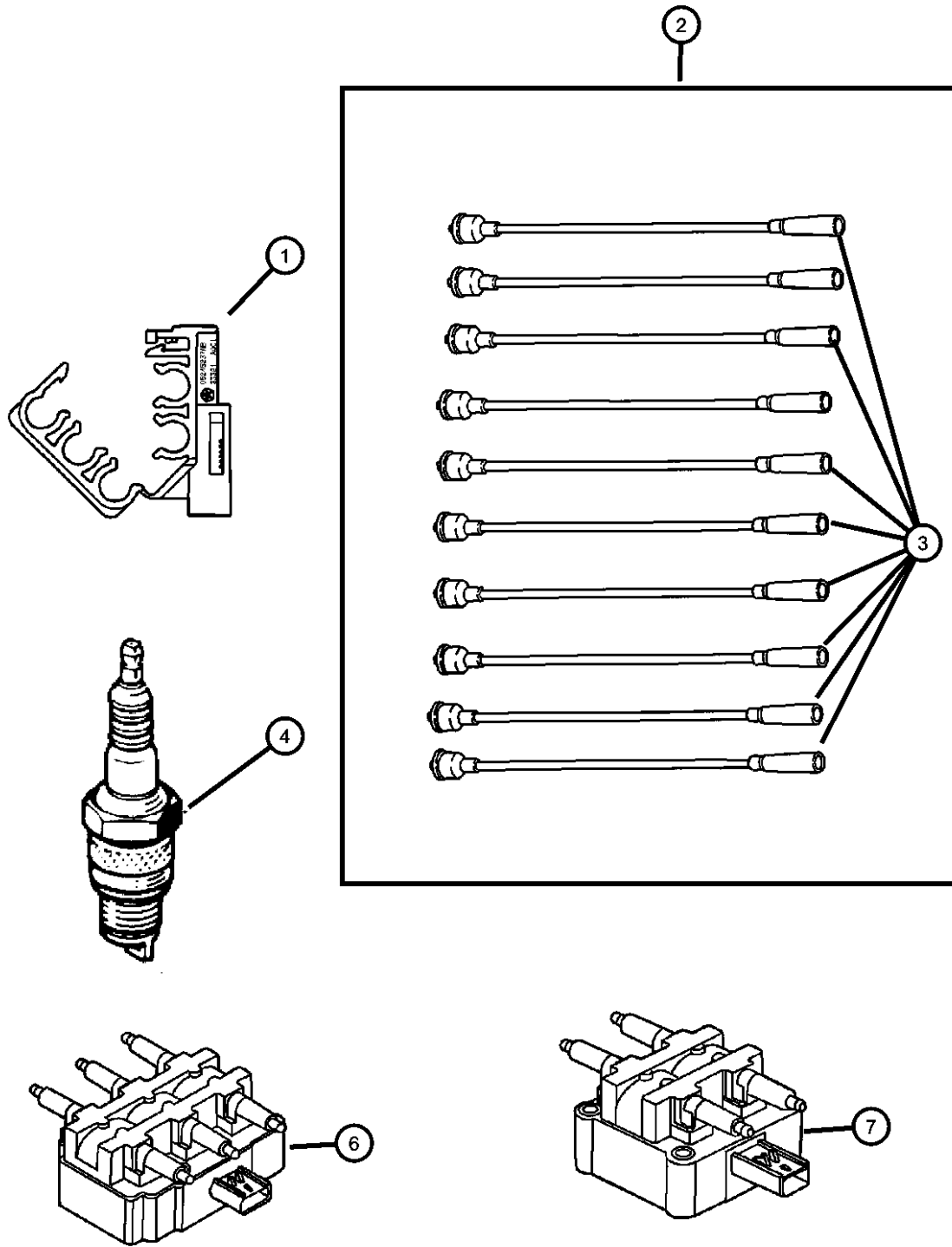
VIPER GTS COUPE,VIPER RT/10 ROADSTER (SR)

SERIES	LINE	BODY	ENGINE	TRANSMISSION
S = RT/10	D = DODGE	27 = 2-DR CONVERTIBLE	EWB = Engine - 8.0L V10 SFI	DEC = 6-Speed Manual
S = GTS Coupe		29 = SPECIALTY COUPE	EW0 = All 8.0L Gas	DBB = All Manual
X = GTS/Lemans				

AR = use ase required - = Non illustrated part

2001 SR

Spark Plugs - Cables - Coil
Figure 8-1905



ITEM	PART NUMBER	QTY	LINE	SERIES	BODY	ENGINE	TRANS	TRIM	DESCRIPTION
EWB=8.0L V10 SFI									
1	05245237AB	4				EWB			SEPERATOR, Ignition Cable
2	04883365AA	1				EWB			CABLE PACKAGE, Ignition
3									WIRE, Spark Plug
	04763780	1				EWB			[#1]
	04763781	1				EWB			[#2]
	04763782	1				EWB			[#3]
	04763783	1				EWB			[#4]
	04763784	1				EWB			[#5]
	04763785	1				EWB			[#6]
	04763786	1				EWB			[#7]
	04763787	1				EWB			[#8]
	04763788	1				EWB			[#9]
	04763789	1				EWB			[#10]
4	SP0RC12LYC	10				EWB			SPARK PLUG
-5	53020419	10				EWB			SHIELD, Heat, Plug Wires
6	56032520	1				EWB			COIL, Ignition, Six Lead
7	56032521	1				EWB			COIL, Ignition, Four Lead

VIPER GTS COUPE,VIPER RT/10 ROADSTER (SR)

SERIES	LINE	BODY	ENGINE	TRANSMISSION
S = RT/10	D = DODGE	27 = 2-DR CONVERTIBLE	EWB = Engine - 8.0L V10 SFI	DEC = 6-Speed Manual
S = GTS Coupe		29 = SPECIALTY COUPE	EW0 = All 8.0L Gas	DBB = All Manual
X = GTS/Lemans				

AR = use ase required - = Non illustrated part

Group - 08A

Instrument Panel and Radios and Consoles

Group - 08A Instrument Panel and Radios and Consoles

Group-Fig. No.

Illustration Title

Instrument Panel

Instrument Panel Fig. 08A - 105

Instrument Panel Cluster

Gauge Cluster Fig. 08A - 205

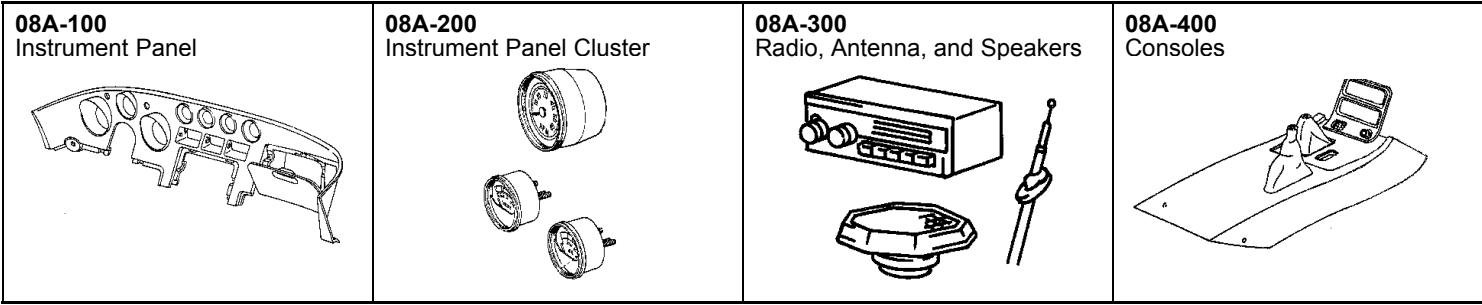
Radio, Antenna, and Speakers

Radios Fig. 08A - 305

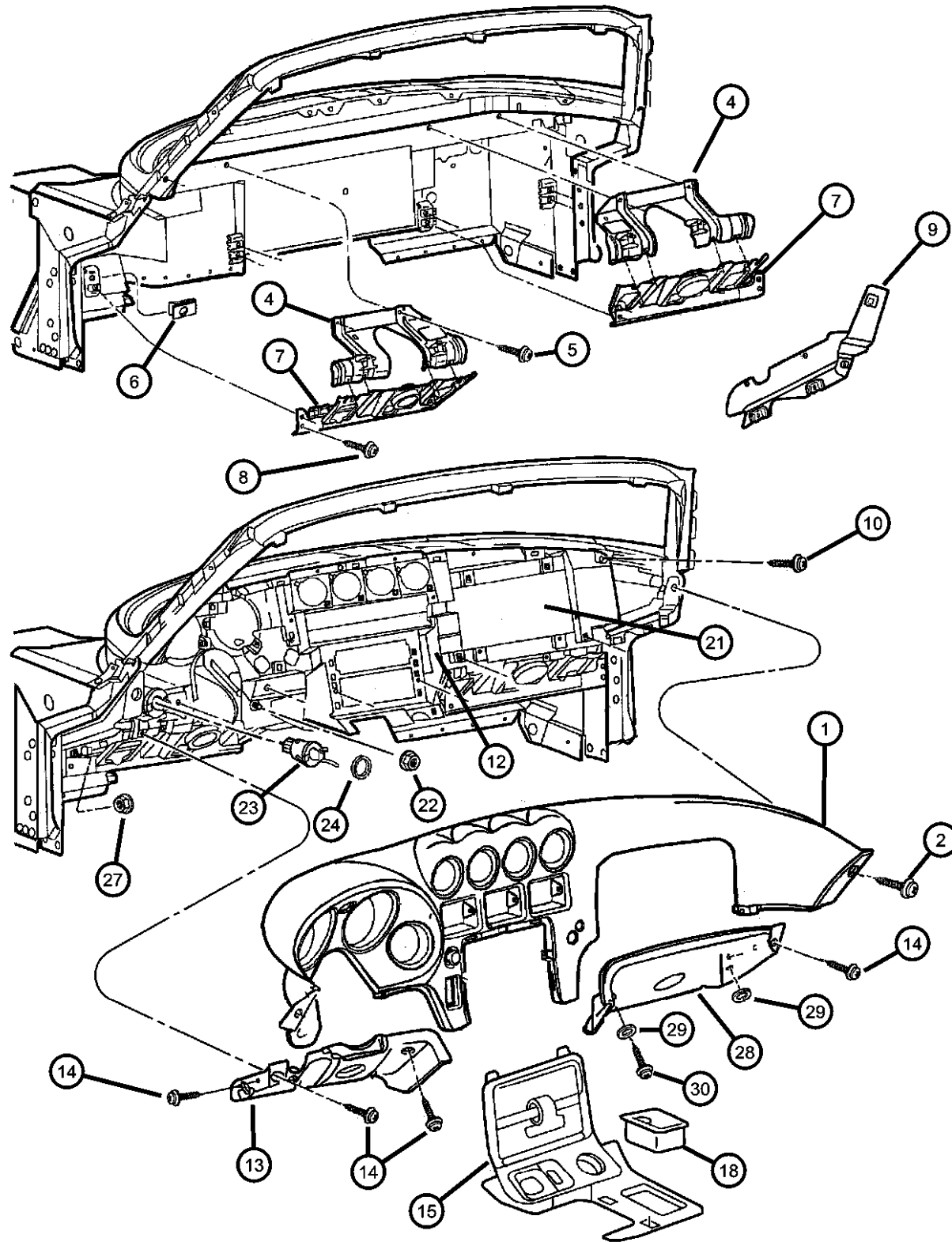
Antenna-Speakers Fig. 08A - 310

Consoles

Console Fig. 08A - 405



**Instrument Panel
Figure 08A-105**



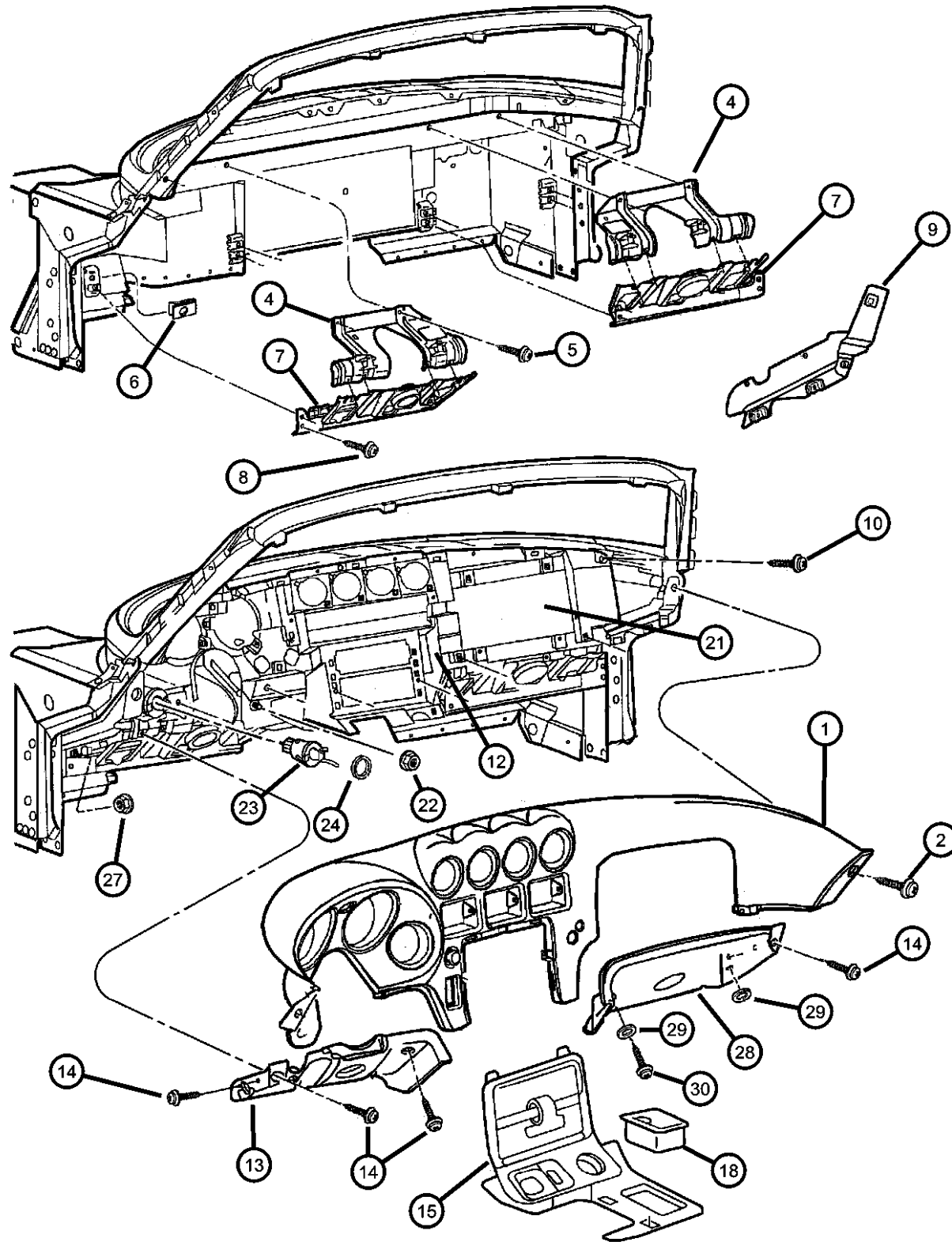
ITEM	PART NUMBER	QTY	LINE	SERIES	BODY	ENGINE	TRANS	TRIM	DESCRIPTION
1	0LB39JX8AG	1							FASCIA, Instrument PanelBlack
2	06032723	8							SCREW, Self Tapping, M4.2x1.69x19.05, I/P Fascia Attaching
-3	06503519	6							CLIP, M7.25x16.20, I/P Fascia Attaching
4									SUPPORT, Instrument Panel
	04763604	1							Right, Upper
	04763605	1							Left, Upper
5	00154910AA	2							SCREW, Support Attaching
6	00154910AA	2							U-NUT, [.190-16], (NOT SERVICED)
7									PLATE, Instrument Panel Support
	04763610AB	1							I/P Energy Absorber, Right
	04763611AB	1							I/P Energy Absorber, Left
8	04763611AB	1							SCREW, Hex Flange Head, .19-16x.625, (NOT SERVICED),
9									PANEL, Instrument Closure
	05245939AC	1							Right
	05245962AB	1							Left
10	06032723	4							SCREW, Self Tapping, M4.2x1.69x19.05Close Out
-11	06034833	36							CLIP, Push, .164-7.5
12	04763468AD	1							CARRIER, Instrument Panel
13									PAD, Instrument Panel
	0QN71BX7AE	1							Black, Kneeblocker
	0QN71WU-CAE	1							Cognac, Kneeblocker
14	06035625	5							SCREW, Kneeblocke Attaching
15									BEZEL, Instrument Panel
	0KS79JX8AD	1			29				Center Bezel, Black
	0PK84JX8AD	1			27				Center Bezel, Black
	0TG89DX9AA	1			29				ACR Package
-16									CLIP, M5.35x12.65
	06032268	6			29				Center Bezel attaching
		6			27				Center Bezel attaching
-17	04854434AA	1			29				NAMEPLATE, Instrument Panel, ACR Plaque
18	0D221SX8	1							ASH RECEIVER, Rear DoorConsole
-19	04848773AB	1							COVER, Fuse Access

VIPER GTS COUPE,VIPER RT/10 ROADSTER (SR)

SERIES	LINE	BODY	ENGINE	TRANSMISSION
S = RT/10	D = DODGE	27 = 2-DR CONVERTIBLE	EWB = Engine - 8.0L V10 SFI	DEC = 6-Speed Manual
S = GTS Coupe		29 = SPECIALTY COUPE	EW0 = All 8.0L Gas	DBB = All Manual
X = GTS/Lemans				

AR = use ase required - = Non illustrated part

Instrument Panel
Figure 08A-105



ITEM	PART NUMBER	QTY	LINE	SERIES	BODY	ENGINE	TRANS	TRIM	DESCRIPTION
-20	04848579	1							LABEL, Fuse Block
21	0RW19JX8AB	1							AIR BAG, Passenger
22	34202304	2							NUT, M5x.8
23	04763135	1							SWITCH, Headlamp
24	04763135	1							SEAL, Headlamp Switch, (NOT SERVICED)
-25	04848135	1							KNOB, Head Lamp Switch
-26	05245299AB	1							MODULE, Lighting Control, Instrument Panel Lamp dimming CAP
27	04848798	1							PAD, Instrument Panel
28									
	0LB36BX7AD	1							Black, Kneeblocker, Right
	0LB36WU-CAD	1							Congac, Kneeblocker, Right
29	0LB36WU-CAD	1							WASHER, (NOT SERVICED),
30	0LB36WU-CAD	1							SCREW, [.190-16x2.00], (NOT SERVICED)
-31									BEZEL, Security Indicator
	04848663	1				27			
		1				29			
-32									WIRING, LED Security
	04848664	1				27			w/Lens
		1				29			w/Lens

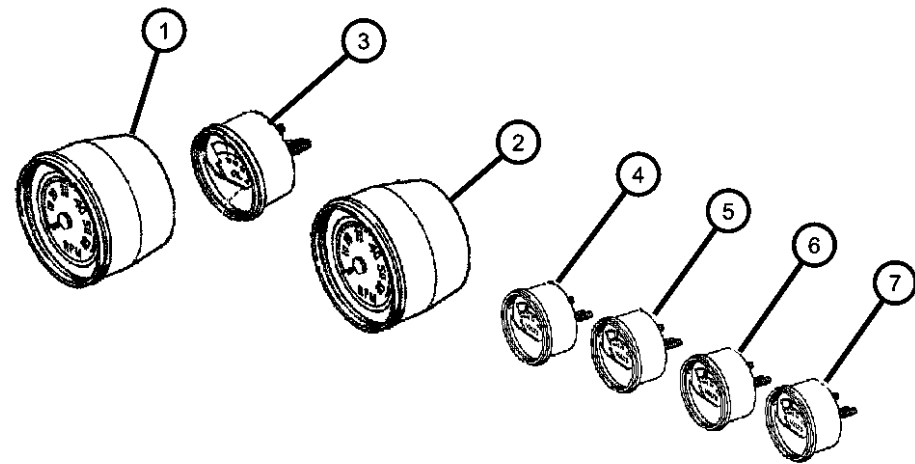
VIPER GTS COUPE,VIPER RT/10 ROADSTER (SR)

SERIES	LINE	BODY	ENGINE	TRANSMISSION
S = RT/10	D = DODGE	27 = 2-DR CONVERTIBLE	EWB = Engine - 8.0L V10 SFI	DEC = 6-Speed Manual
S = GTS Coupe		29 = SPECIALTY COUPE	EW0 = All 8.0L Gas	DBB = All Manual
X = GTS/Lemans				

AR = use ase required - = Non illustrated part

2001 SR

Gauge Cluster
Figure 08A-205



ITEM	PART NUMBER	QTY	LINE	SERIES	BODY	ENGINE	TRANS	TRIM	DESCRIPTION
1	04763850AC	1							GAUGE, Speedometer
	04763853AC	1							Export, Canada, Mexico
2	04763851AC	1							GAUGE, Tachometer
3	04865407AA	1							MODULE, Message Center
4	04642133AC	1							GAUGE, Oil Pressure
	04643966AC	1							Export, Canada, Mexico
5	04642134AC	1							GAUGE, Temperature
	04643967AC	1							Export, Canada, Mexico
6	04642135AC	1							GAUGE, Volt
7	04848581AC	1							GAUGE, Fuel
-8	04848154	1							CHIMNEY, Cluster

VIPER GTS COUPE,VIPER RT/10 ROADSTER (SR)

SERIES	LINE	BODY	ENGINE	TRANSMISSION
S = RT/10	D = DODGE	27 = 2-DR CONVERTIBLE	EWB = Engine - 8.0L V10 SFI	DEC = 6-Speed Manual
S = GTS Coupe		29 = SPECIALTY COUPE	EW0 = All 8.0L Gas	DBB = All Manual
X = GTS/Lemans				

AR = use ase required - = Non illustrated part

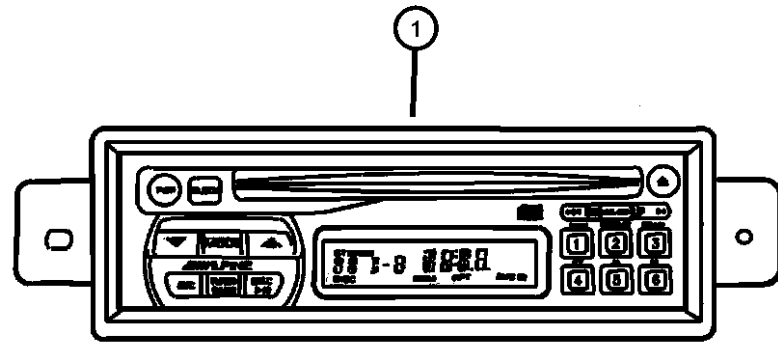
2001 SR

Radios
Figure 08A-305

ITEM	PART NUMBER	QTY	LINE	SERIES	BODY	ENGINE	TRANS	TRIM	DESCRIPTION
------	-------------	-----	------	--------	------	--------	-------	------	-------------

RBH=PREMIUM, ALPINE STEREO W/CD

1	04763982AB	1							RADIO, AM/FM with CD
-2	06032723	2							SCREW, Self Tapping, M4.2x1.69x19.05, Radio Attaching
-3	04763136	1							BRACKET, Radio, Rear Mounting



RBH

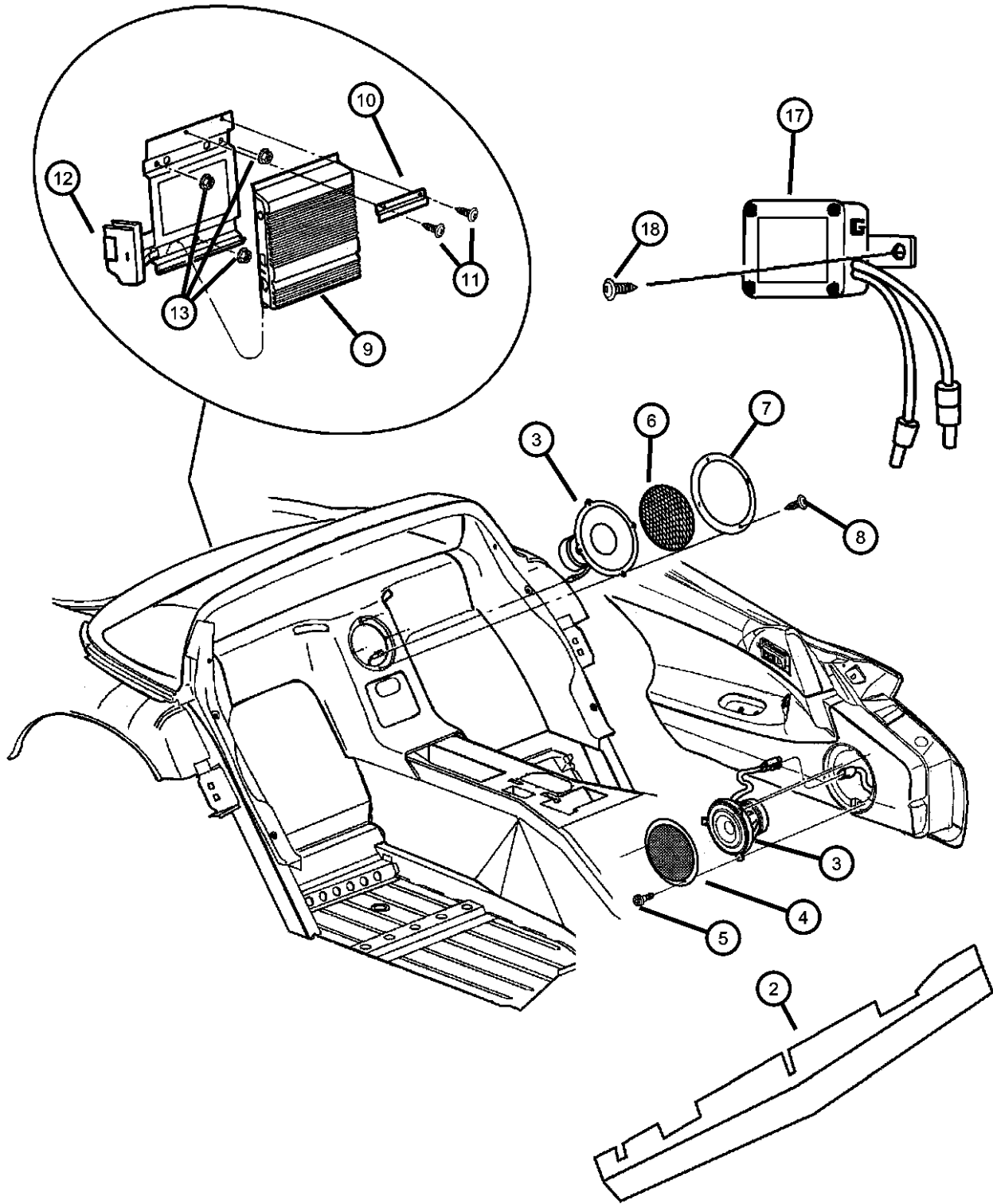
VIPER GTS COUPE,VIPER RT/10 ROADSTER (SR)

SERIES	LINE	BODY	ENGINE	TRANSMISSION
S = RT/10	D = DODGE	27 = 2-DR CONVERTIBLE	EWB = Engine - 8.0L V10 SFI	DEC = 6-Speed Manual
S = GTS Coupe		29 = SPECIALTY COUPE	EW0 = All 8.0L Gas	DBB = All Manual
X = GTS/Lemans				

AR = use ase required - = Non illustrated part

2001 SR

Antenna-Speakers
Figure 08A-310



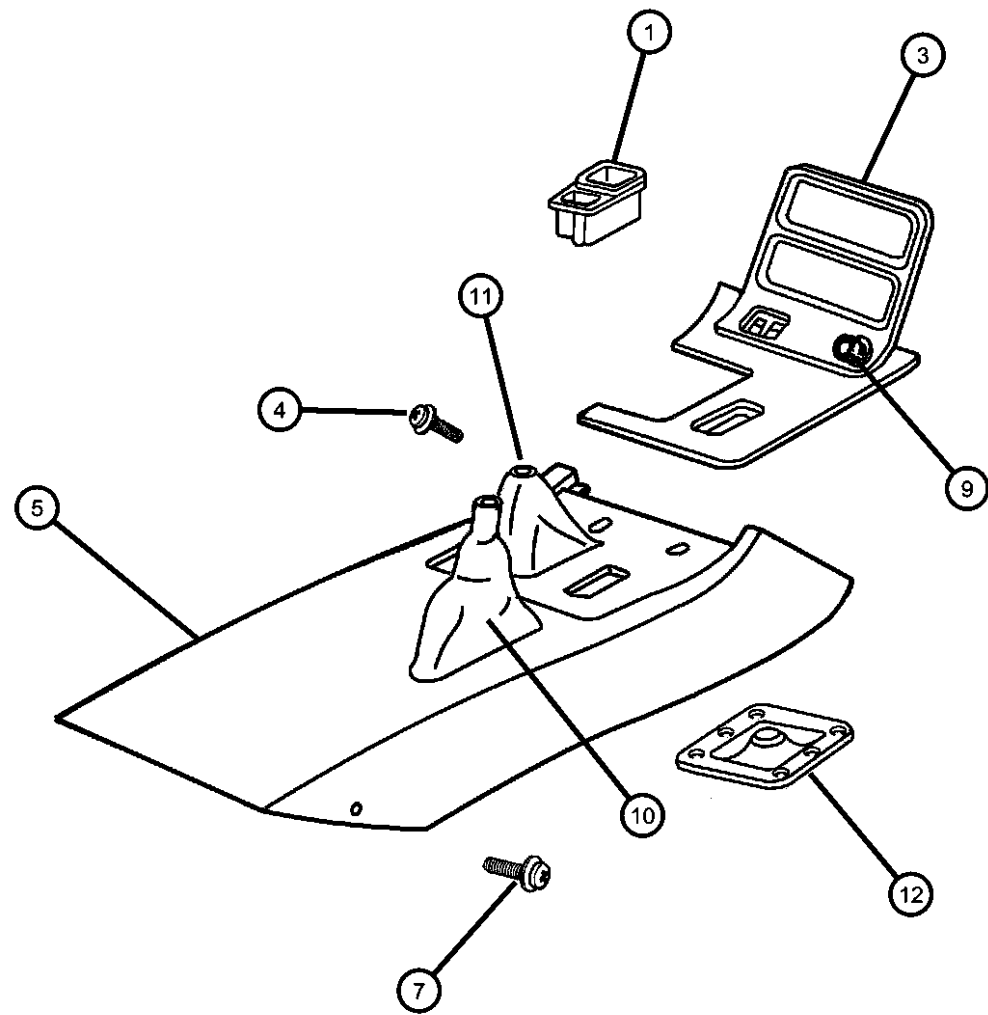
ITEM	PART NUMBER	QTY	LINE	SERIES	BODY	ENGINE	TRANS	TRIM	DESCRIPTION
-1	04763136	1							ANTENNA, Serviced with Windshield, (NOT SERVICED)
2	04848850AC	1							COVER, Antenna Opening
3	04848850AC	1							SPEAKER, 6.5", All Speakers Serviced Only By ALPINE Dealer, (NOT SERVICED)
4									GRILLE, Speaker
	0SL12DX9AA	2							Black
	0SL12WU-CAA	2							Cognac
5	0SL12WU-CAA	2							SCREW, [.164-18x1.5] Not Serviced, (NOT SERVICED),
6	04848147	1			27				GRILLE, Speaker
7	04848147	1							RING, Speaker, (NOT SERVICED)
8	00153749	6				29			SCREW, .164-15x.750
9	00153749	6							AMPLIFIER, Radio, Serviced Only By ALPINE Dealer, (NOT SERVICED)
10	04848139	1							BRACKET, Amplifier Retainer
11	06100557	2							BOLT AND CONED WASHER, Hex Head, M6x20x14
12	04848137	1							BRACKET, Amplifier
13	34201358	3							NUT AND WASHER, Hex Nut-Sealing Washer, M6 x 1.00
-14	04865432AA	1							CABLE AND GROMMET, ANTENNA
-15	04709110	1							CABLE, Amplifier Box
-16	04709112	1							GROMMET, Antenna Amplifier
17	04709109	AR							BOX, Antenna Amplifier
18	04709109	AR							SCREW, .190-16X.375, (NOT SERVICED)
-19	04848082	1							HOLDER, Fuse
-20	04854436AA	4			29				PLATE, Speaker, Speaker Delete ACR Package

VIPER GTS COUPE,VIPER RT/10 ROADSTER (SR)

SERIES	LINE	BODY	ENGINE	TRANSMISSION
S = RT/10	D = DODGE	27 = 2-DR CONVERTIBLE	EWB = Engine - 8.0L V10 SFI	DEC = 6-Speed Manual
S = GTS Coupe		29 = SPECIALTY COUPE	EW0 = All 8.0L Gas	DBB = All Manual
X = GTS/Lemans				

AR = use ase required - = Non illustrated part

**Console
Figure 08A-405**



ITEM	PART NUMBER	QTY	LINE	SERIES	BODY	ENGINE	TRANS	TRIM	DESCRIPTION
1	0D221SX8	1							ASH RECEIVER, Rear Door
-2	04643872	2			29				CLIP, Ash Receiver Retention
3									BEZEL, Instrument Panel
	0KS79JX8AD	1			29				Center, Black
	0PK84JX8AD	1			27				Center, Black
4	06034195	2							SCREW AND WASHER, Oval Head, .19-16x.75
5									CONSOLE, Front
	0PF251X9AF	1							Black
	0PF251XUAF	1							Cognac
-6	04854434AA	1			29				NAMEPLATE, Instrument Panel, ACR Plaque
7	06505389AA	2							SCREW, Oval Head
-8									SHELL, Cigar Lighter
	03747634	1			29				
		1			27				
9	04685536	1							KNOB AND ELEMENT, Cigar Lighter
10									BOOT, Parking Brake Lever
	0PD661X9AD	1							Black
	0PD66WU-CAD	1							Cognac
11	0PD67TX9	1							BOOT, Gearshift, Black
12	04848038	1							BOOT, Gearshift
-13	04848038	1							RIVET, Blind Bulb, [.250 x .367], (NOT SERVICED)

VIPER GTS COUPE,VIPER RT/10 ROADSTER (SR)

SERIES	LINE	BODY	ENGINE	TRANSMISSION
S = RT/10	D = DODGE	27 = 2-DR CONVERTIBLE	EWB = Engine - 8.0L V10 SFI	DEC = 6-Speed Manual
S = GTS Coupe		29 = SPECIALTY COUPE	EW0 = All 8.0L Gas	DBB = All Manual
X = GTS/Lemans				

AR = use ase required - = Non illustrated part

Group - 9

Engine Mounting

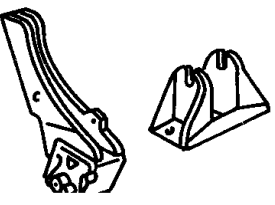
Group - 9 Engine Mounting

Group-Fig. No.

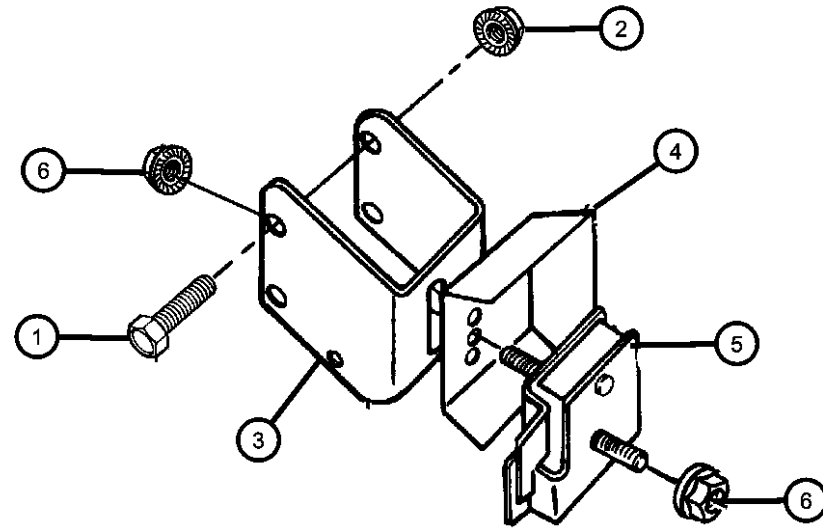
Illustration Title

Engine Mounting

Engine Mounting, Front.....	Fig. 9 - 110
Engine Mounting, Rear 8.0L Engine.....	Fig. 9 - 120

<p>009-100 Engine Mounting</p> 			
--	--	--	--

Engine Mounting, Front
Figure 9-110



ITEM	PART NUMBER	QTY	LINE	SERIES	BODY	ENGINE	TRANS	TRIM	DESCRIPTION
NOTE: Sales Code [EWB] = 8.0L V10 SFI Engine									
1	06034523	1				EWB			BOLT, Alternator
2	06502696	3							NUT, Hex Flange Lock, M10x1.5
3	04796376	2				EWB			BRACKET PACKAGE, Engine Mount
4	53020419	10				EWB			SHIELD, Heat
5									INSULATOR, Engine Mount
	04642617	1				EWB			Left
	04643530	1				EWB			Right
6	06025022	2							NUT AND WASHER, Hex Nut-Coned Washer, .500-13
-7	06030478	2				EWB			NUT AND WASHER, Hex Lock Nut-Coned Lock Washer, .500-13

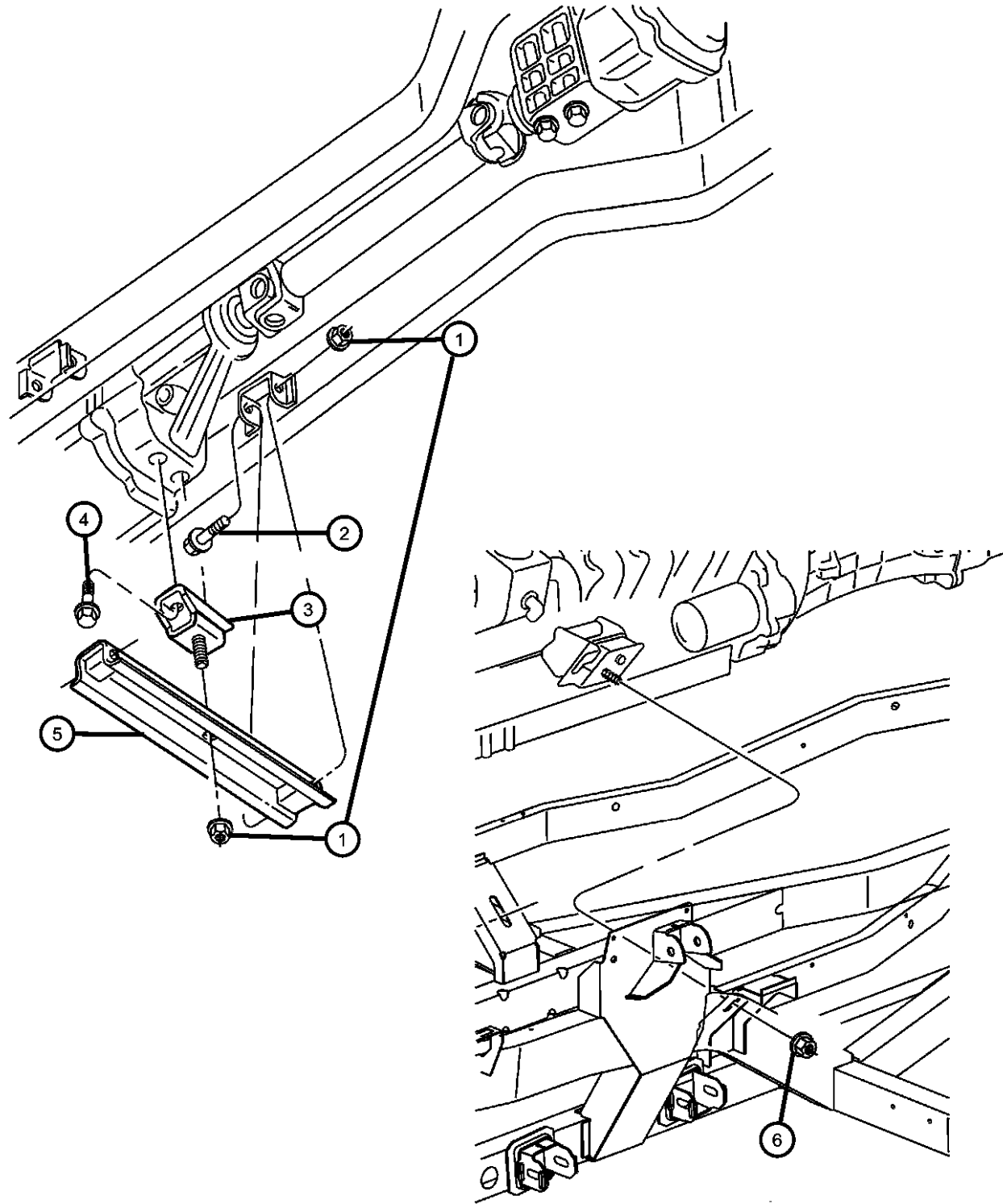
VIPER GTS COUPE,VIPER RT/10 ROADSTER (SR)

SERIES	LINE	BODY	ENGINE	TRANSMISSION
S = RT/10	D = DODGE	27 = 2-DR CONVERTIBLE	EWB = Engine - 8.0L V10 SFI	DEC = 6-Speed Manual
S = GTS Coupe		29 = SPECIALTY COUPE	EW0 = All 8.0L Gas	DBB = All Manual
X = GTS/Lemans				

AR = use ase required - = Non illustrated part

2001 SR

**Engine Mounting, Rear 8.0L Engine
Figure 9-120**



ITEM	PART NUMBER	QTY	LINE	SERIES	BODY	ENGINE	TRANS	TRIM	DESCRIPTION
1	06502696	3							NUT, Hex Flange Lock, M10x1.5
2	06101707	2							BOLT, M10x1.50x75, Trans. Crossmember to Frame, MOUNT, Transmission
3	04643318	1							CROSSMEMBER, Transmission
4	06501596	2							SCREW AND WASHER, Hex Head, M10x1.5x45
5	04763813	1							CROSSMEMBER, Transmission
6	06025022	2							NUT AND WASHER, Hex Nut-Coned Washer, .500-13

VIPER GTS COUPE,VIPER RT/10 ROADSTER (SR)

SERIES	LINE	BODY	ENGINE	TRANSMISSION
S = RT/10	D = DODGE	27 = 2-DR CONVERTIBLE	EWB = Engine - 8.0L V10 SFI	DEC = 6-Speed Manual
S = GTS Coupe		29 = SPECIALTY COUPE	EW0 = All 8.0L Gas	DBB = All Manual
X = GTS/Lemans				

AR = use ase required - = Non illustrated part

Group - 8.0L

Engine 8.0L Ten Cylinder

Group - 8.0L Engine 8.0L Ten Cylinder

Illustration Title

Group-Fig. No.

Engine Identification

I.D. Location 8.0L Engine..... Fig. 8.0L - 110

Cylinder Head

Cylinder Head 8.0L Engine..... Fig. 8.0L - 210

Cylinder Block

Cylinder Block 8.0L Engine..... Fig. 8.0L - 310

Crankshaft, Piston and Torque Converter

Crankshaft and Pistons 8.0L Engine..... Fig. 8.0L - 410

Camshafts & Valves

Camshafts and Valves 8.0L Engine..... Fig. 8.0L - 510

Timing Belt and Cover

Timing Belt and Cover 8.0L Engine..... Fig. 8.0L - 610

Engine Oiling

Engine Oiling 8.0L Engine..... Fig. 8.0L - 710

Manifolds

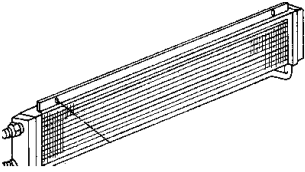
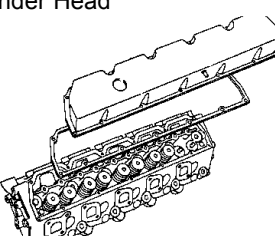
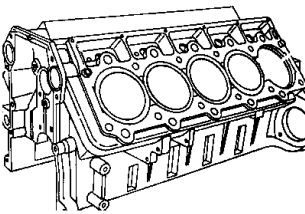
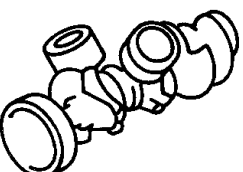
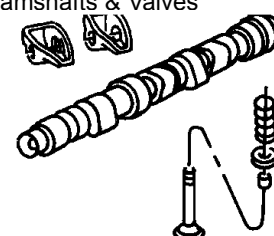
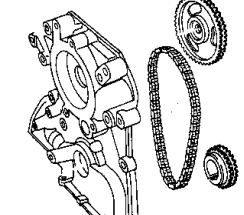
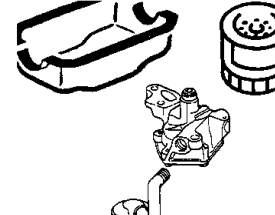
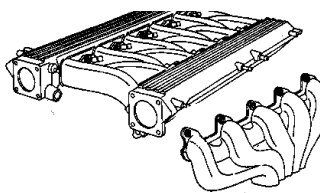
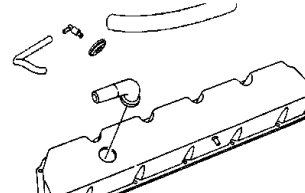
Manifolds, Intake and Exhaust 8.0L Engine..... Fig. 8.0L - 810

Crankcase Ventilation

Crankcase Ventilation 8.0L Engine..... Fig. 8.0L - 910

Oil Cooler

Oil Cooler 8.0L Engine..... Fig. 8.0L - 1110

<p>8.0L-100 Engine Identification</p> <table border="1"> <tr> <td>X Model Year</td> <td>X Manufacturing Plant</td> <td>XXXXX Component Code/Usage</td> <td>XXXX Month/Day</td> <td>XXXXXXXX Serial Code</td> </tr> <tr> <td>Last digit of model year</td> <td>Satillo S Trenton T Tokyo K</td> <td>Engine 3.3L - 3.8L Usage Pass Car PC Truck T</td> <td></td> <td>Last 8 Digits of VIN</td> </tr> </table>	X Model Year	X Manufacturing Plant	XXXXX Component Code/Usage	XXXX Month/Day	XXXXXXXX Serial Code	Last digit of model year	Satillo S Trenton T Tokyo K	Engine 3.3L - 3.8L Usage Pass Car PC Truck T		Last 8 Digits of VIN	<p>8.0L-1100 Oil Cooler</p> 	<p>8.0L-200 Cylinder Head</p> 	<p>8.0L-300 Cylinder Block</p> 
X Model Year	X Manufacturing Plant	XXXXX Component Code/Usage	XXXX Month/Day	XXXXXXXX Serial Code									
Last digit of model year	Satillo S Trenton T Tokyo K	Engine 3.3L - 3.8L Usage Pass Car PC Truck T		Last 8 Digits of VIN									
<p>8.0L-400 Crankshaft, Piston and Torque Converter</p> 	<p>8.0L-500 Camshafts & Valves</p> 	<p>8.0L-600 Timing Belt and Cover</p> 	<p>8.0L-700 Engine Oiling</p> 										
<p>8.0L-800 Manifolds</p> 	<p>8.0L-900 Crankcase Ventilation</p> 												

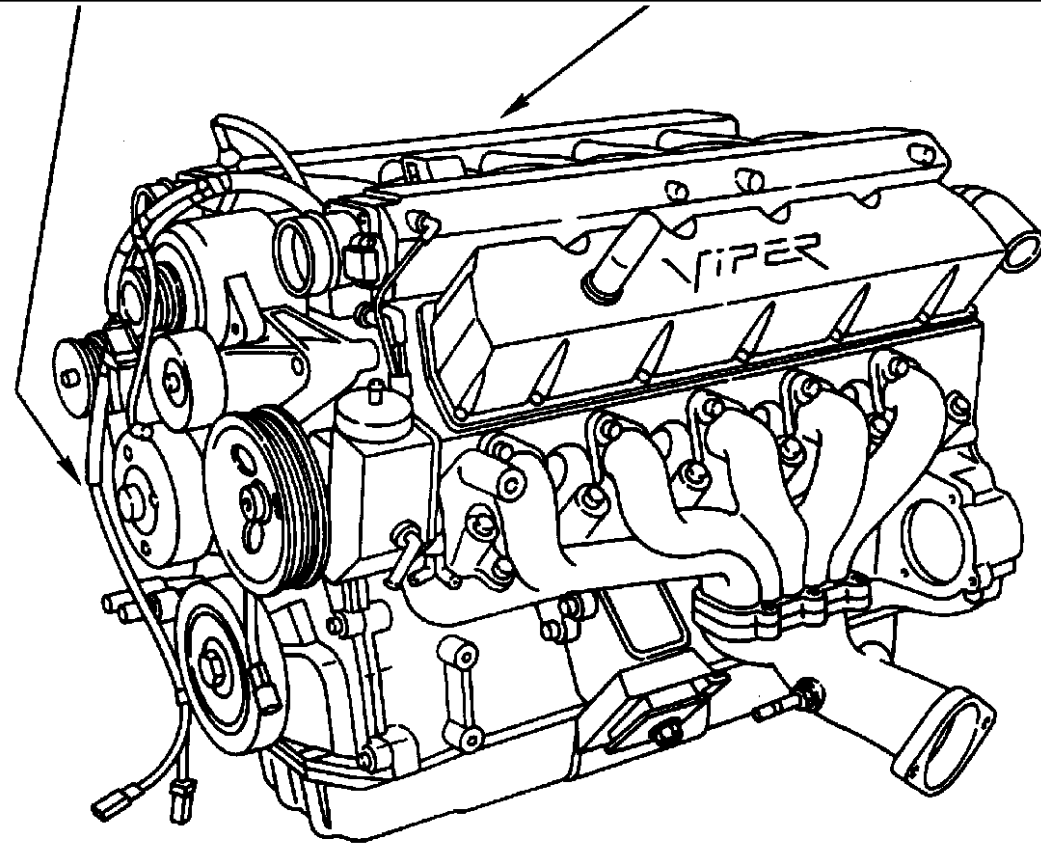
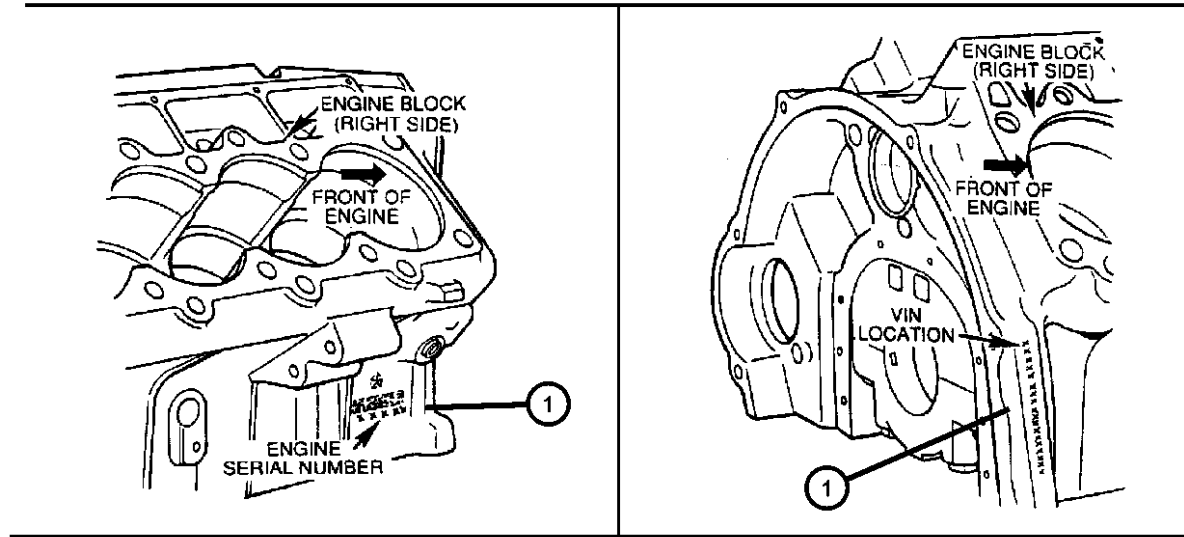
I.D. Location 8.0L Engine
Figure 8.0L-110

ITEM	PART NUMBER	QTY	LINE	SERIES	BODY	ENGINE	TRANS	TRIM	DESCRIPTION
------	-------------	-----	------	--------	------	--------	-------	------	-------------

VIN Number located on right rear side of cylinder block in front of clutch housing. SERIAL Number located on right lower front of cylinder block above

1 06025022 2

LABEL, Engine Identification, (NOT SERVICED)



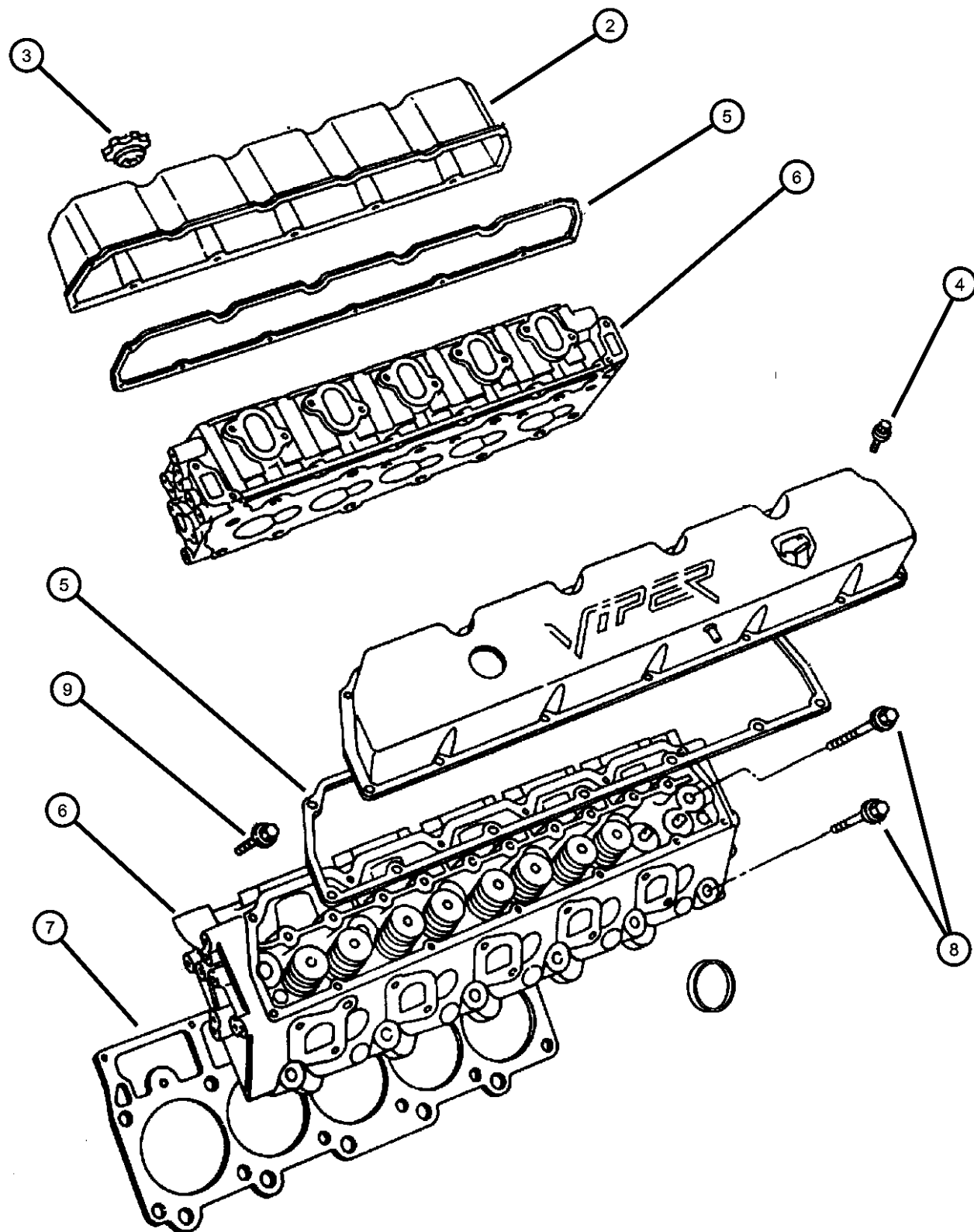
VIPER GTS COUPE,VIPER RT/10 ROADSTER (SR)

SERIES	LINE	BODY	ENGINE	TRANSMISSION
S = RT/10	D = DODGE	27 = 2-DR CONVERTIBLE	EWB = Engine - 8.0L V10 SFI	DEC = 6-Speed Manual
S = GTS Coupe		29 = SPECIALTY COUPE	EW0 = All 8.0L Gas	DBB = All Manual
X = GTS/Lemans				

AR = use ase required - = Non illustrated part

2001 SR

**Cylinder Head 8.0L Engine
Figure 8.0L-210**



ITEM	PART NUMBER	QTY	LINE	SERIES	BODY	ENGINE	TRANS	TRIM	DESCRIPTION
-1	04882950AF	1				EWB			GASKET PACKAGE, Engine Upper
2									COVER, Cylinder Head
	04763754AC	1				EWB			Right
	04763755AC	1				EWB			Left
3	05245081	1				EWB			CAP, Oil Filler
4	06035666	26				EWB			SCREW, Hex Flange Head, .25-20x1.00
5	05245095	2				EWB			GASKET, Valve Cover
6	04763724AB	1				EWB			HEAD, Cylinder
7	04763749	2				EWB			GASKET, Cylinder Head
8	06035471	24				EWB			BOLT, Cylinder Head
9	06035666	26				EWB			SCREW, Hex Flange Head, .25-20x1.00

VIPER GTS COUPE,VIPER RT/10 ROADSTER (SR)

SERIES	LINE	BODY	ENGINE	TRANSMISSION
S = RT/10	D = DODGE	27 = 2-DR CONVERTIBLE	EWB = Engine - 8.0L V10 SFI	DEC = 6-Speed Manual
S = GTS Coupe		29 = SPECIALTY COUPE	EW0 = All 8.0L Gas	DBB = All Manual
X = GTS/Lemans				

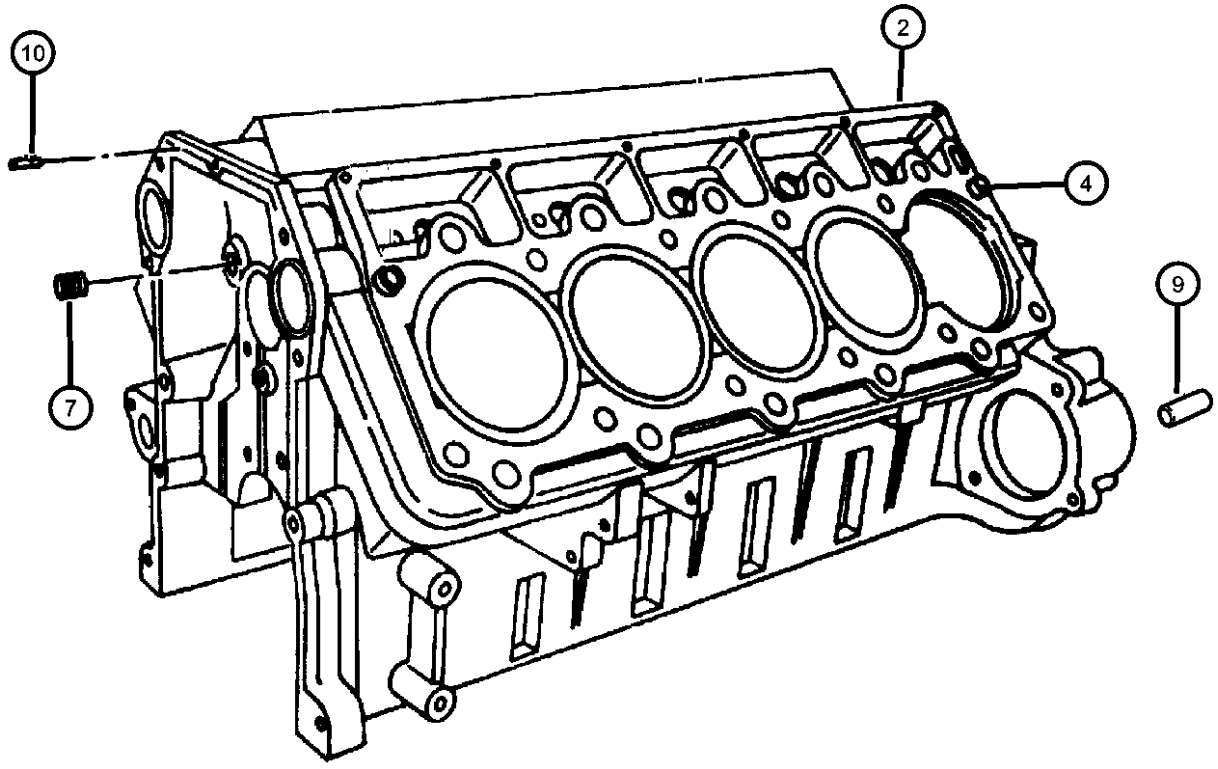
AR = use ase required - = Non illustrated part

**Cylinder Block 8.0L Engine
Figure 8.0L-310**

ITEM	PART NUMBER	QTY	LINE	SERIES	BODY	ENGINE	TRANS	TRIM	DESCRIPTION
------	-------------	-----	------	--------	------	--------	-------	------	-------------

NOTES: Sales Code
[EWB] = 8.0L V10 SFI Engine

-1	05017565AB	1				EWB			GASKET PACKAGE, Engine Lower
2	05004038AB	1				EWB			BLOCK, Cylinder
	05127394AA								Mopar 0W-40 Mobil 1 Engine Oil
-3	05037010AC	1				EWB			BLOCK, Short, Bare
	05127394AA								Mopar 0W-40 Mobil 1 Engine Oil
4	J4005149	4				EWB			DOWEL, Oil Pump
-5	05245055	2				EWB			DOWEL, Front Cover
-6	05245058	2				EWB			DOWEL, Rear Oil Seal Retainer
7	06034166	1				EWB			PLUG, Cylinder Block Oil Hole
-8	05245071	1				EWB			PLUG, Camshaft
9	04429678	2				EWB			PIN, Dowel
10	06035469	8				EWB			STUD, .562-12x5.670
-11									BOLT, Bearing Cap
	06035470	12				EWB			[.375-16X2.250]
	06035665	4				EWB			[.500-13X4.250]

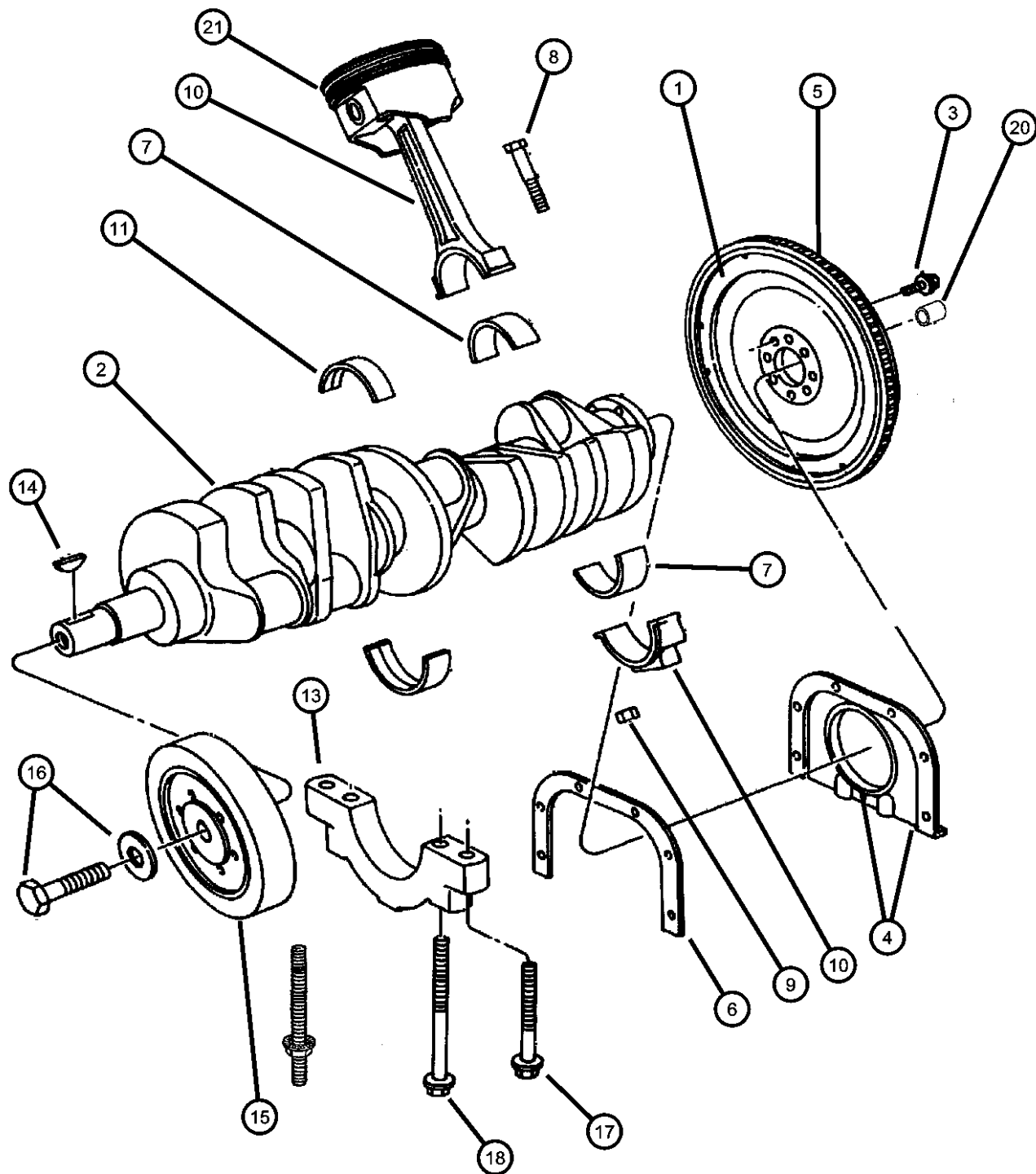


VIPER GTS COUPE,VIPER RT/10 ROADSTER (SR)

SERIES	LINE	BODY	ENGINE	TRANSMISSION
S = RT/10	D = DODGE	27 = 2-DR CONVERTIBLE	EWB = Engine - 8.0L V10 SFI	DEC = 6-Speed Manual
S = GTS Coupe		29 = SPECIALTY COUPE	EW0 = All 8.0L Gas	DBB = All Manual
X = GTS/Lemans				

AR = use ase required - = Non illustrated part

**Crankshaft and Pistons 8.0L Engine
Figure 8.0L-410**



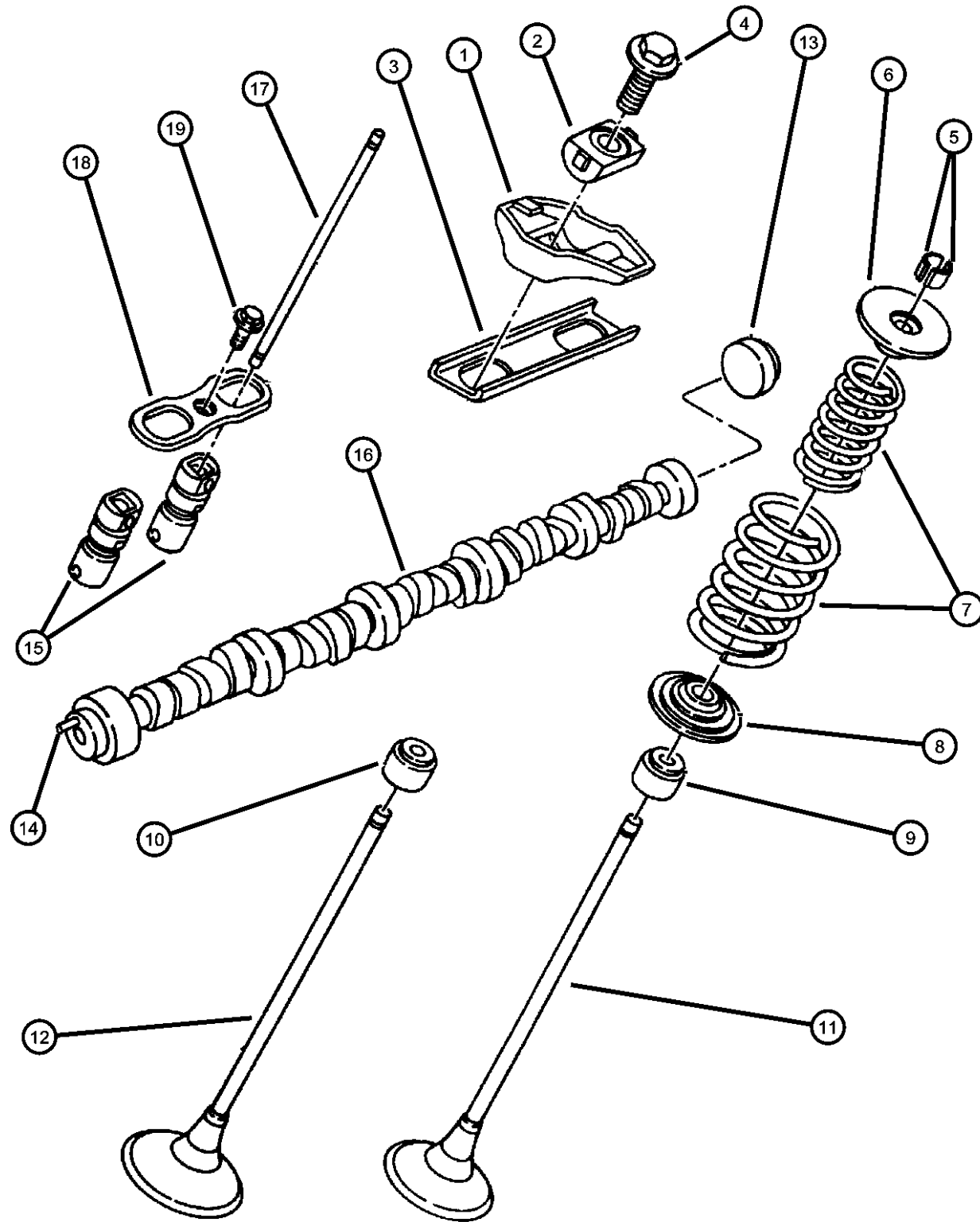
ITEM	PART NUMBER	QTY	LINE	SERIES	BODY	ENGINE	TRANS	TRIM	DESCRIPTION
1	04643416AB	1				EWB			FLYWHEEL
2	04848733AC	1				EWB			CRANKSHAFT
3	06035811	8				EWB			BOLT, Hex Head, .437-20x1.50
4	04763726	1				EWB			RETAINER, Crankshaft Rear Oil Seal
5	04428037	1				EWB			GEAR, Ring
6	05245072AC	1				EWB			GASKET, Rear Oil Seal Retainer
7	02421305	10				EWB			BEARING, Connecting Rod, STD.
8	02421305	10							BOLT, Connecting Rod, Serviced in Piston,Pin,and Rod, (NOT SERVICED)
9	05037000AA	10				EWB			NUT, Hex, .375-24
10									PISTON PIN AND ROD, STD
	05016976AA	5				EWB			w/Bolts, Right
	05016977AA	5				EWB			w/Bolts, Left
11									BEARING PACKAGE, Crankshaft
	04883681AA	AR				EWB			.030 U/S
	04883682AA	AR				EWB			.001 U/S
	04883683AA	AR				EWB			.002 U/S
	04883684AA	AR				EWB			.010 U/S
-12									BEARING PACKAGE, Crankshaft
	04883685AA	AR				EWB			Standard Thrust
	04883686AA	AR				EWB			.001 U/S Thrust
	04883687AA	AR				EWB			.002 U/S Thrust
	04883688AA	AR				EWB			.020 U/S Thrust
13	04883688AA	AR							CAP, Serviced in Block, (NOT SERVICED),
14	06034749	1				EWB			KEY, Crankshaft Sprocket
15	05245110	1				EWB			DAMPER, Crankshaft
16	06036207AA	1				EWB			BOLT, Hex Head
17	06035470	12				EWB			BOLT, Bearing Cap
18	06035665	4				EWB			BOLT, Bearing Cap
-19	06035469	8				EWB			STUD, .562-12x5.670
20	53009181AB	1				EWB			BEARING, Pilot
21	05018625AA	1				EWB			PISTON RING SET, COMPLETE ENGINE, STD.

VIPER GTS COUPE,VIPER RT/10 ROADSTER (SR)

SERIES	LINE	BODY	ENGINE	TRANSMISSION
S = RT/10	D = DODGE	27 = 2-DR CONVERTIBLE	EWB = Engine - 8.0L V10 SFI	DEC = 6-Speed Manual
S = GTS Coupe		29 = SPECIALTY COUPE	EW0 = All 8.0L Gas	DBB = All Manual
X = GTS/Lemans				

AR = use ase required - = Non illustrated part

**Camshafts and Valves 8.0L Engine
Figure 8.0L-510**



ITEM	PART NUMBER	QTY	LINE	SERIES	BODY	ENGINE	TRANS	TRIM	DESCRIPTION
1	05245335	20				EWB			ROCKER ARM, Valve
2	05245336	20				EWB			PIVOT, Rocker Arm
3	04848550	10				EWB			RETAINER, Rocker Arm Pedestal
4	06034499	20				EWB			BOLT, Hex Flange Head, .375-16x1.50
5	33003521	10				EWB			LOCK, Valve Spring Retainer
6	05245374	10				EWB			RETAINER, Valve Spring
7	04761616	10				EWB			SPRING PACKAGE, Valve
8	05245162	10				EWB			SEAT, Valve Spring
9	53009886	5				EWB			SEAL, Valve Guide
10	53009887	5				EWB			SEAL, Valve Guide
11	04763747	5				EWB			VALVE, Intake, Standard
12	04763748	5				EWB			VALVE, Exhaust, Standard
13	05245071	1				EWB			PLUG, Camshaft
14	00141195	1				EWB			DOWEL, .25x.62
15	05004042AA	20				EWB			TAPPET, Hyd. Roller
16	05037151AA	1				EWB			CAMSHAFT, Engine
17	04848548AC	20				EWB			PUSH ROD, Valve
18	05245169	10				EWB			YOKE, Tappet Aligning
19	05245170	10				EWB			BOLT, .25-20x.88

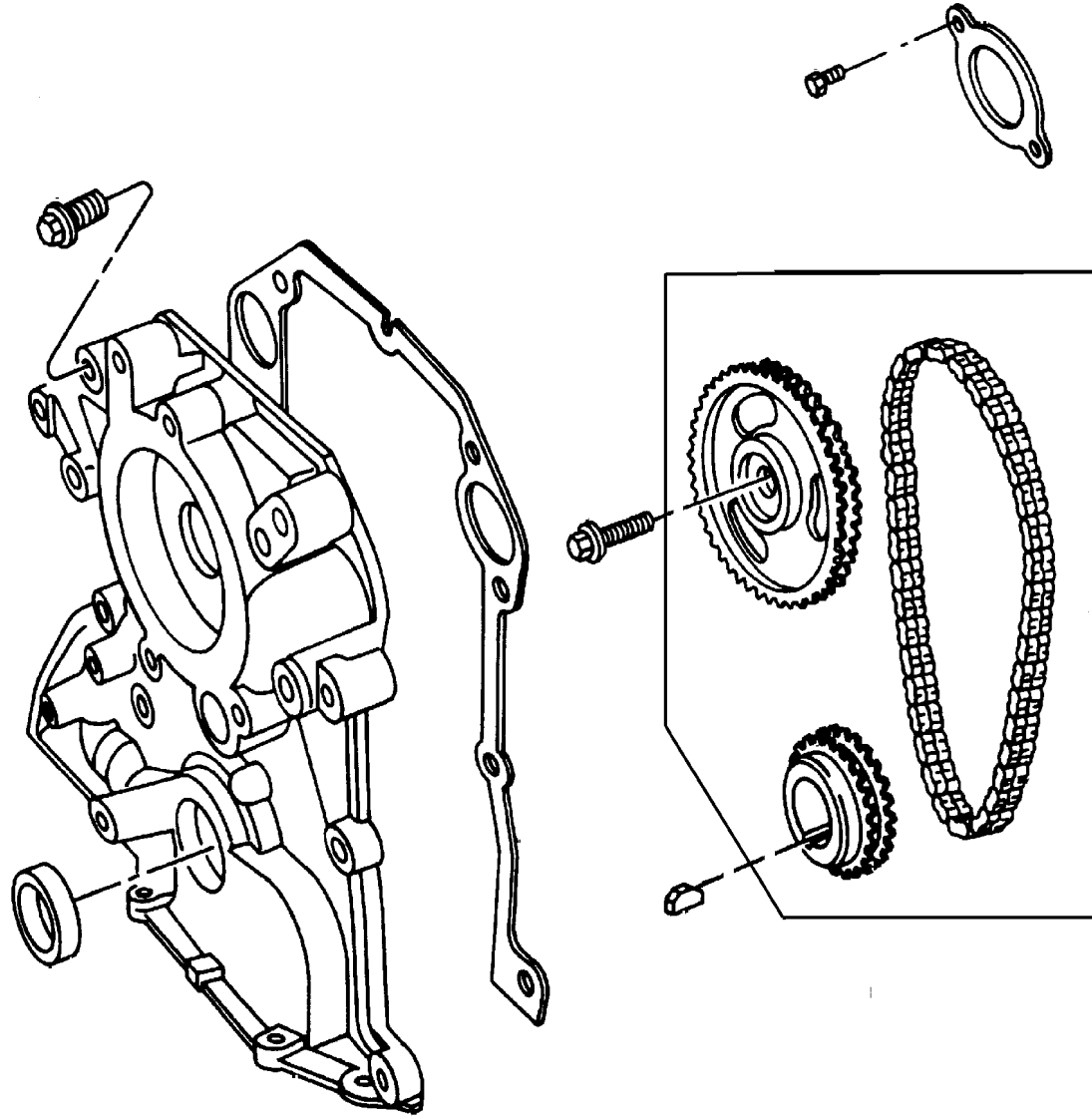
VIPER GTS COUPE,VIPER RT/10 ROADSTER (SR)

SERIES	LINE	BODY	ENGINE	TRANSMISSION
S = RT/10	D = DODGE	27 = 2-DR CONVERTIBLE	EWB = Engine - 8.0L V10 SFI	DEC = 6-Speed Manual
S = GTS Coupe		29 = SPECIALTY COUPE	EW0 = All 8.0L Gas	DBB = All Manual
X = GTS/Lemans				

AR = use ase required - = Non illustrated part

**Timing Belt and Cover 8.0L Engine
Figure 8.0L-610**

ITEM	PART NUMBER	QTY	LINE	SERIES	BODY	ENGINE	TRANS	TRIM	DESCRIPTION
1	05245359	1				EWB			PLATE, Camshaft Thrust
2	00220800	2				EWB			SCREW, Hex Head, .312-18x.75
3	04863827	1				EWB			CHAIN PACKAGE, Timing
4	06034749	1				EWB			KEY, Crankshaft Sprocket
5	06024035	1				EWB			BOLT, Hex Head, .375-14x1.75
6	06035558	9				EWB			SCREW, Hex Flange Head, .375-16x1.50
7	04763745AB	1				EWB			GASKET, Chain Case Cover
8									COVER, Timing Case
	04763731AH	1				EWB			Without ACR
	04763731AI	1				EWB			With ACR
9	05245135	1				EWB			SEAL, Rear Main Crankshaft

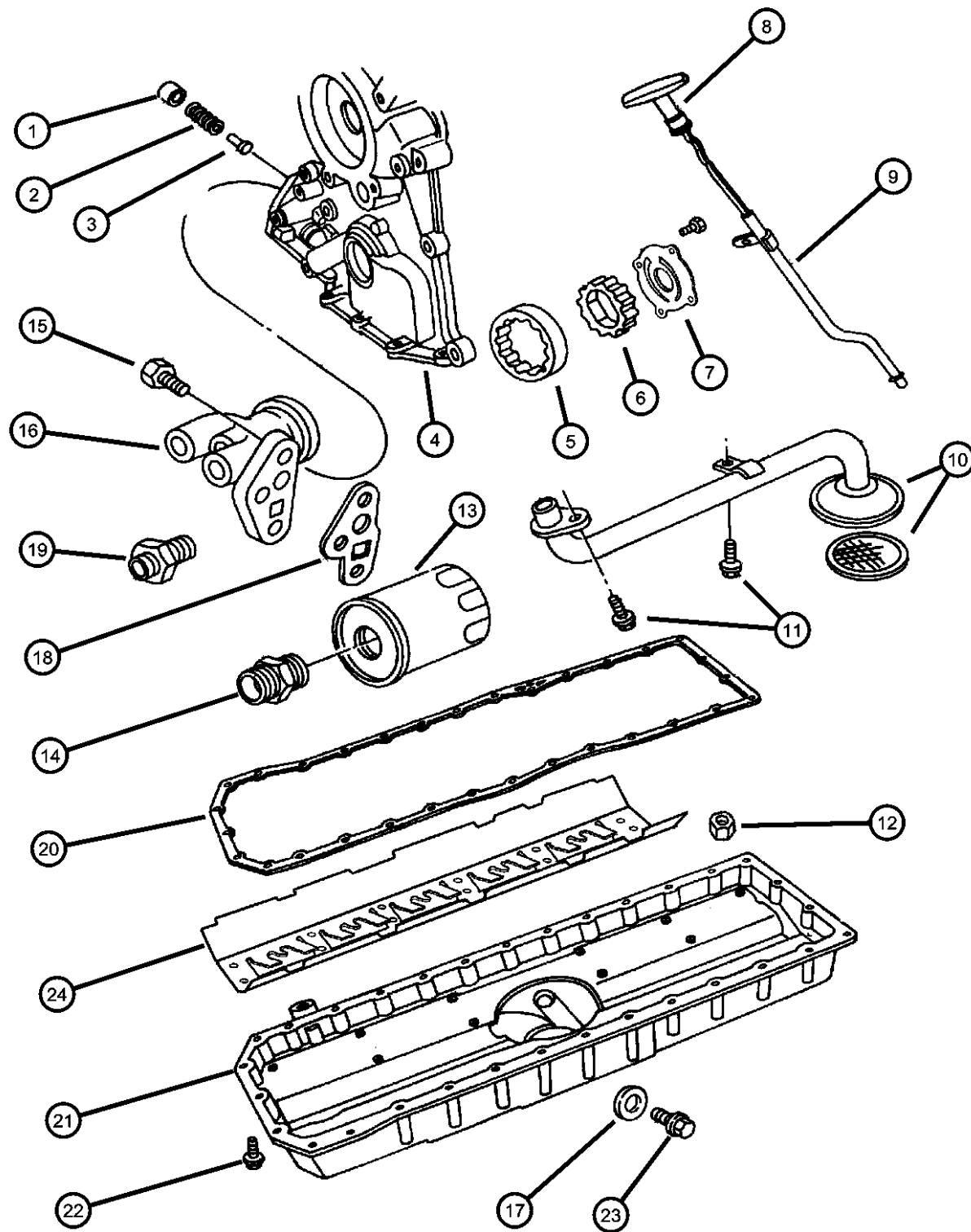


VIPER GTS COUPE,VIPER RT/10 ROADSTER (SR)

SERIES	LINE	BODY	ENGINE	TRANSMISSION
S = RT/10	D = DODGE	27 = 2-DR CONVERTIBLE	EWB = Engine - 8.0L V10 SFI	DEC = 6-Speed Manual
S = GTS Coupe		29 = SPECIALTY COUPE	EW0 = All 8.0L Gas	DBB = All Manual
X = GTS/Lemans				

AR = use ase required - = Non illustrated part

**Engine Oiling 8.0L Engine
Figure 8.0L-710**



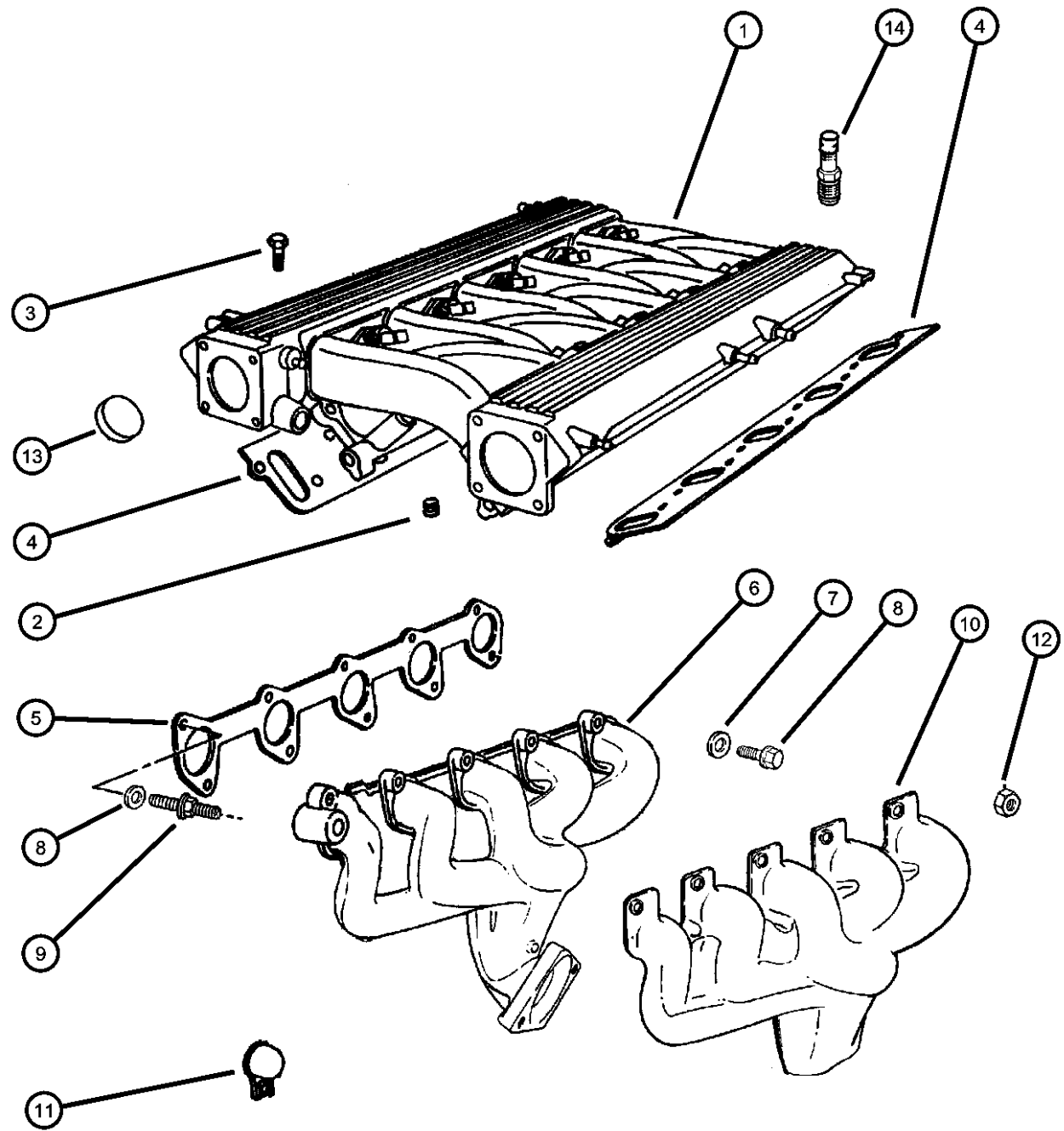
ITEM	PART NUMBER	QTY	LINE	SERIES	BODY	ENGINE	TRANS	TRIM	DESCRIPTION
1	02806273	1				EWB			CAP, Oil Pressure Relief Valve
2	04848785	1				EWB			SPRING, Oil Pressure Relief Valve
3	04848786	1				EWB			VALVE, Oil Cooler Pressure
4	04763731AI	1				EWB			COVER, Timing Case
5	05245525AB	1				EWB			ROTOR SET, Oil Pump
6	05245128	1				EWB			COVER, Engine Oil Pump
7	06034475	4				EWB			SCREW, Torx Head, .25-20x.75
8	04763791AD	1				EWB			INDICATOR, Engine Oil Level
9	04763792AC	1				EWB			TUBE, Engine Oil Indicator
10	04763740	1				EWB			PICKUP, Engine Oil
11	00154601	8				EWB			SCREW, Pan Head, .19-24x.5
12	J0120375	8				EWB			NUT, Hex, .250-20
13	05281090	1				EWB			FILTER, Engine Oil
	0FE00292								Canadian Aftermarket Part
	05281090BA								BULK PACK (12)
	77060018								Performance Mobil 1, 15W - 50 Tri-Synthetic Engine Oil- Recommended Fill for 6.1L & 8.3L
	P5007323								Performance Mobil 1, 5W - 30 Tri-Synthetic Engine Oil, Quart
14	53007563	1				EWB			CONNECTOR, Oil Filter
15	06035666	6				EWB			SCREW, Hex Flange Head, .25-20x1.00
16	04886503AC	1				EWB			ADAPTER, Oil Filter
17	04763738	1				EWB			SEAL, Drain Plug
18	05245086AC	1				EWB			GASKET, Oil Filter Adapter
19	04848331AC	1				EWB			CONNECTOR, Engine Oil Cooler
20	05037022AA	1				EWB			GASKET, Oil Pan
21	04763744AC	1				EWB			PAN, Engine Oil
22	06035666	26				EWB			SCREW, Hex Flange Head, .25-20x1.00
23	04763739	1				EWB			PLUG, Oil Drain
24	04848705AC	1				EWB			TRAY, Windage
-25	02843208AB	2				EWB			PLUNGER, Oil Pressure Relief Valve, Serviced in Case Cover
-26	05245324	1				EWB			SEAL, Rear Main Crankshaft

VIPER GTS COUPE,VIPER RT/10 ROADSTER (SR)

SERIES	LINE	BODY	ENGINE	TRANSMISSION
S = RT/10	D = DODGE	27 = 2-DR CONVERTIBLE	EWB = Engine - 8.0L V10 SFI	DEC = 6-Speed Manual
S = GTS Coupe		29 = SPECIALTY COUPE	EW0 = All 8.0L Gas	DBB = All Manual
X = GTS/Lemans				

AR = use ase required - = Non illustrated part

**Manifolds, Intake and Exhaust 8.0L Engine
Figure 8.0L-810**



ITEM	PART NUMBER	QTY	LINE	SERIES	BODY	ENGINE	TRANS	TRIM	DESCRIPTION
1	04763758AB	1				EWB			MANIFOLD, Intake
2	06034166	1				EWB			PLUG, Cylinder Block Oil Hole
3	06035666	20				EWB			SCREW, Hex Flange Head, .25-20x1.00
4	05245194AC	2				EWB			GASKET, Intake Manifold
5	05004014AA	2				EWB			GASKET, Exhaust Manifold
6									MANIFOLD, Exhaust
	04848341	1				EWB			Right
	04848342	1				EWB			Left
7	06034595	20				EWB			WASHER, Coned, .340 x .750 x .180
8	00154881AA	14				EWB			BOLT, Hex Head
9	06036066AA	6				EWB			STUD
10	05004005AB	1							SHIELD, Exhaust ManifoldLeft
11	05245585	1				EWB			SHIELD, Crank Position Sensor
12	06034856	6							NUT AND WASHER, Hex Nut-E Teeth Washer, .312-24
13	04763414	2				EWB			PLUG, Cylinder Block Oil Hole
14	05245193	1				EWB			VALVE, Shrader

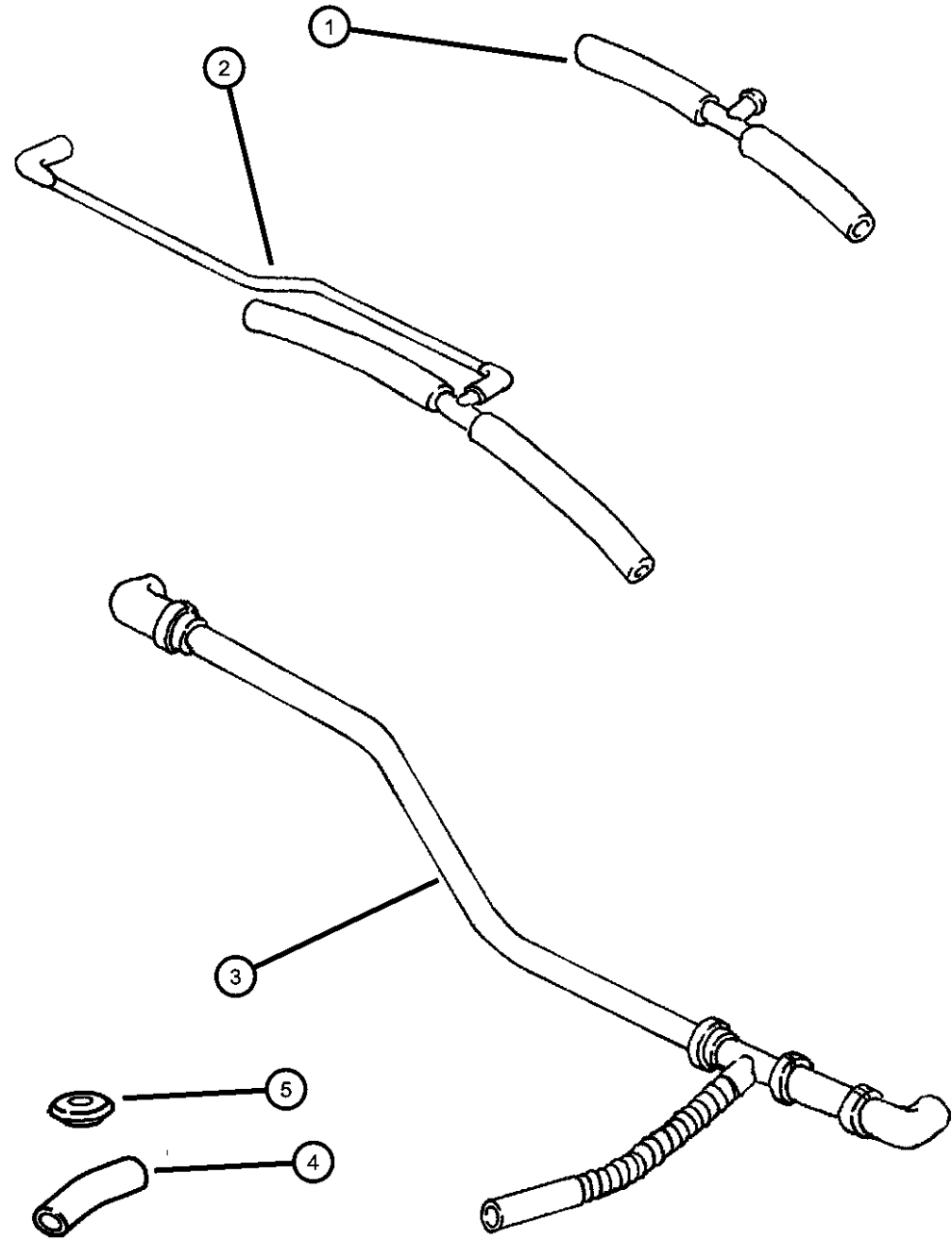
VIPER GTS COUPE,VIPER RT/10 ROADSTER (SR)

SERIES	LINE	BODY	ENGINE	TRANSMISSION
S = RT/10	D = DODGE	27 = 2-DR CONVERTIBLE	EWB = Engine - 8.0L V10 SFI	DEC = 6-Speed Manual
S = GTS Coupe		29 = SPECIALTY COUPE	EW0 = All 8.0L Gas	DBB = All Manual
X = GTS/Lemans				

AR = use ase required - = Non illustrated part

**Crankcase Ventilation 8.0L Engine
Figure 8.0L-910**

ITEM	PART NUMBER	QTY	LINE	SERIES	BODY	ENGINE	TRANS	TRIM	DESCRIPTION
1	04763767AD	1				EWB			HARNESS, PCV
2	04763806AC	1				EWB			HARNESS, CCV To Air Cleaner
3	04763804AD	1				EWB			HARNESS, Canister Purge
4	04848340AC	1				EWB			HOSE, PCV Inlet
5	05245322	1				EWB			GROMMET, Crankcase Vent



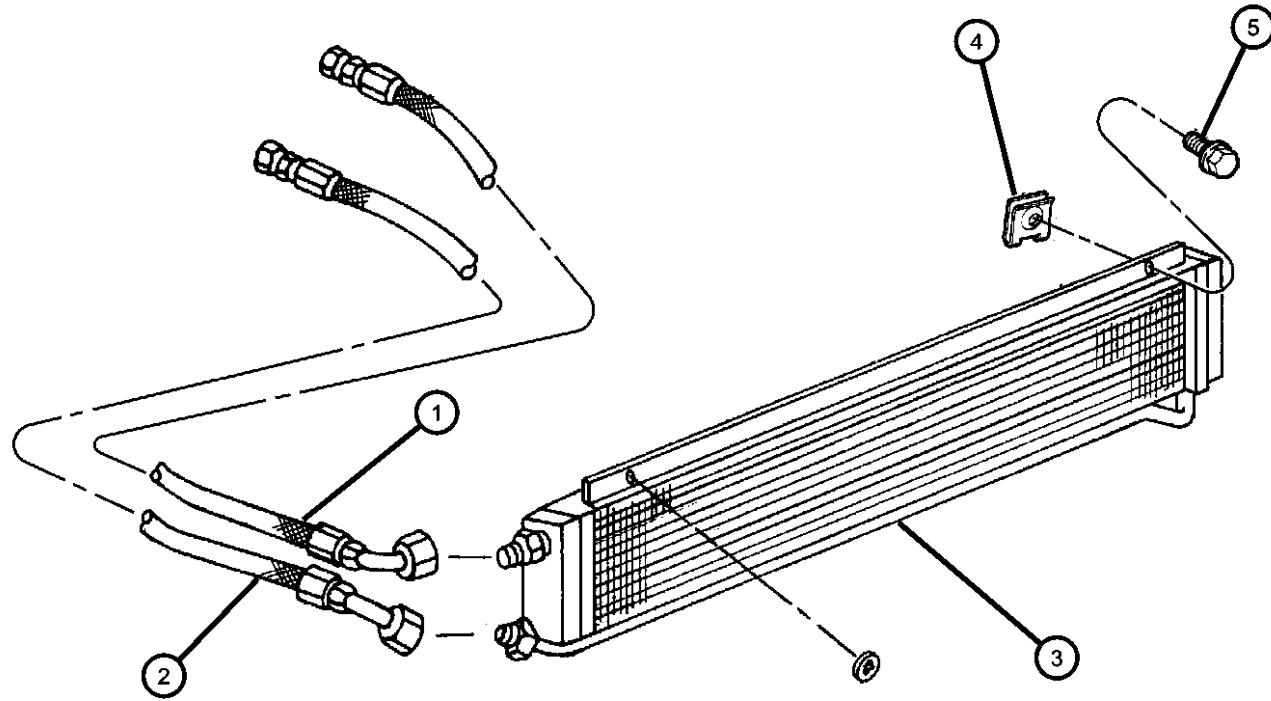
VIPER GTS COUPE,VIPER RT/10 ROADSTER (SR)

SERIES	LINE	BODY	ENGINE	TRANSMISSION
S = RT/10	D = DODGE	27 = 2-DR CONVERTIBLE	EWB = Engine - 8.0L V10 SFI	DEC = 6-Speed Manual
S = GTS Coupe		29 = SPECIALTY COUPE	EW0 = All 8.0L Gas	DBB = All Manual
X = GTS/Lemans				

AR = use ase required - = Non illustrated part

**Oil Cooler 8.0L Engine
Figure 8.0L-1110**

ITEM	PART NUMBER	QTY	LINE	SERIES	BODY	ENGINE	TRANS	TRIM	DESCRIPTION
1	04848310	1							LINE, Oil Cooler Inlet
2	04848300	1							LINE, Oil Cooler Outlet
3	04643826AC	1							COOLER, Engine Oil
4	06101283	2							U-NUT, M8x1.25
5	06100296	2							BOLT, Hex Head



VIPER GTS COUPE,VIPER RT/10 ROADSTER (SR)

SERIES	LINE	BODY	ENGINE	TRANSMISSION
S = RT/10	D = DODGE	27 = 2-DR CONVERTIBLE	EWB = Engine - 8.0L V10 SFI	DEC = 6-Speed Manual
S = GTS Coupe		29 = SPECIALTY COUPE	EW0 = All 8.0L Gas	DBB = All Manual
X = GTS/Lemans				

AR = use ase required - = Non illustrated part

2001 SR

Group - 11

Exhaust

Group - 11 Exhaust

Illustration Title

Group-Fig. No.

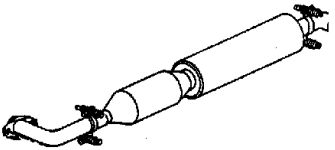
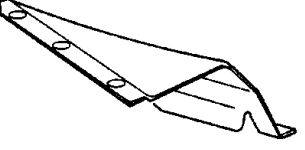
Exhaust System

Exhaust System, U.S. and Canada Fig. 11 - 115

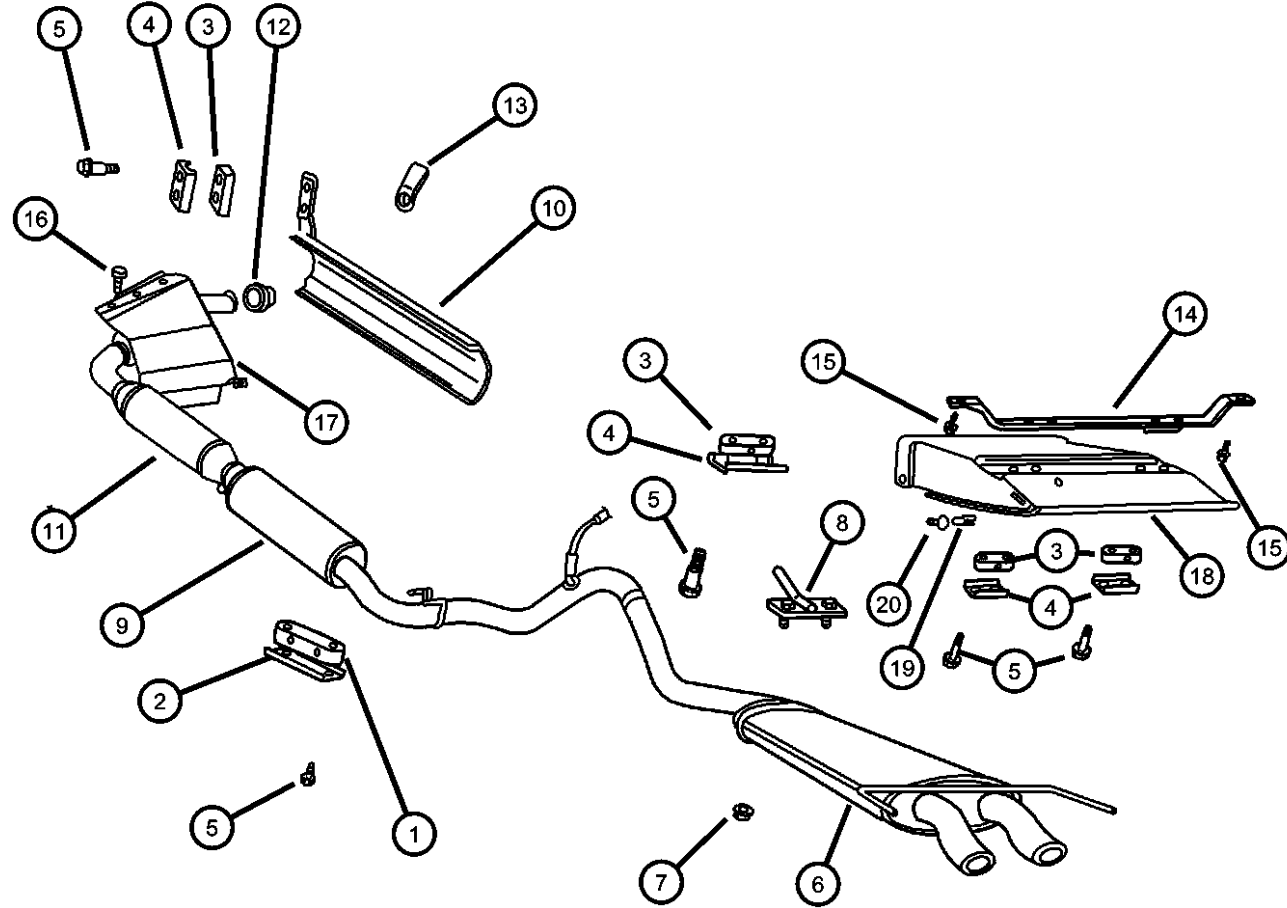
Exhaust System, Export Fig. 11 - 120

Heat Shields

Heat Shield Fig. 11 - 210

<p>011-100 Exhaust System</p> 	<p>011-200 Heat Shields</p> 		
---	--	--	--

**Exhaust System, U.S. and Canada
Figure 11-115**



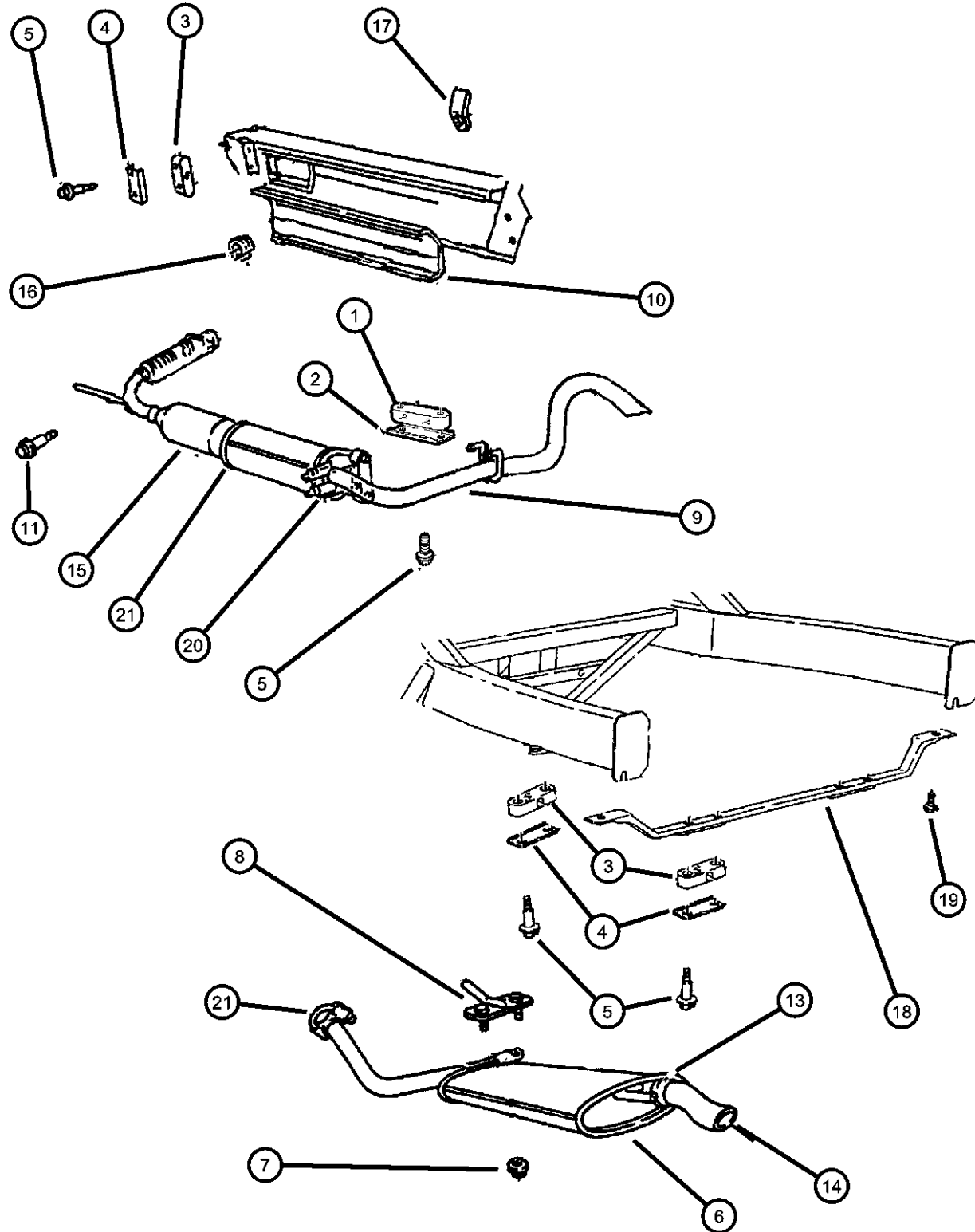
ITEM	PART NUMBER	QTY	LINE	SERIES	BODY	ENGINE	TRANS	TRIM	DESCRIPTION
1	04763667	1							ISOLATOR, Exhaust Support
2	04763629	2							SUPPORT, Exhaust Isolator
3	04709038	5							ISOLATOR, Exhaust
4	04708458	5							SUPPORT, Exhaust Isolator
5	06033047	14							BOLT, Shoulder, .312-18x2.00
6	05245788	1							MUFFLER, Exhaust
7	06101445	2							NUT AND WASHER, Hex Nut-Coned Washer, M8 x 1.25, Hanger
8	05245034	1							HANGER, MufflerRear
9									RESONATOR AND PIPE, Exhaust
	04854302AA	1							Right
	04854303AA	1							Left
10									INSULATION, Thermal Sill Inner
	05245814	1							Right
	05245815	1							Left
11									CONVERTER, Catalytic
	04873122	1							Right
	04873123	1							Left
12	04848909AA	2							CLAMP, Exhaust Manifold
13	06034856	6							NUT AND WASHER, Hex Nut-E Teeth Washer, .312-24
14	04709106	1							HANGER BAR, Muffler
15	06101542	2							SCREW, Hex Head, M8-1.25 x 20
16	06035494	10							SCREW TAPPING & WASHER, Hex Head, .190-16X.500
17									SHIELD, Heat
	04763846	1							Right
	04763847	1							Left
18	05245730	1							SHIELD, Heat
19	06029074	6							U-NUT, .25-20
20	06029074	6							SCREW, Hex Flange Head Tapping, .25-14x.875, (NOT SERVICED)

VIPER GTS COUPE,VIPER RT/10 ROADSTER (SR)

SERIES	LINE	BODY	ENGINE	TRANSMISSION
S = RT/10	D = DODGE	27 = 2-DR CONVERTIBLE	EWB = Engine - 8.0L V10 SFI	DEC = 6-Speed Manual
S = GTS Coupe		29 = SPECIALTY COUPE	EW0 = All 8.0L Gas	DBB = All Manual
X = GTS/Lemans				

AR = use ase required - = Non illustrated part

**Exhaust System, Export
Figure 11-120**



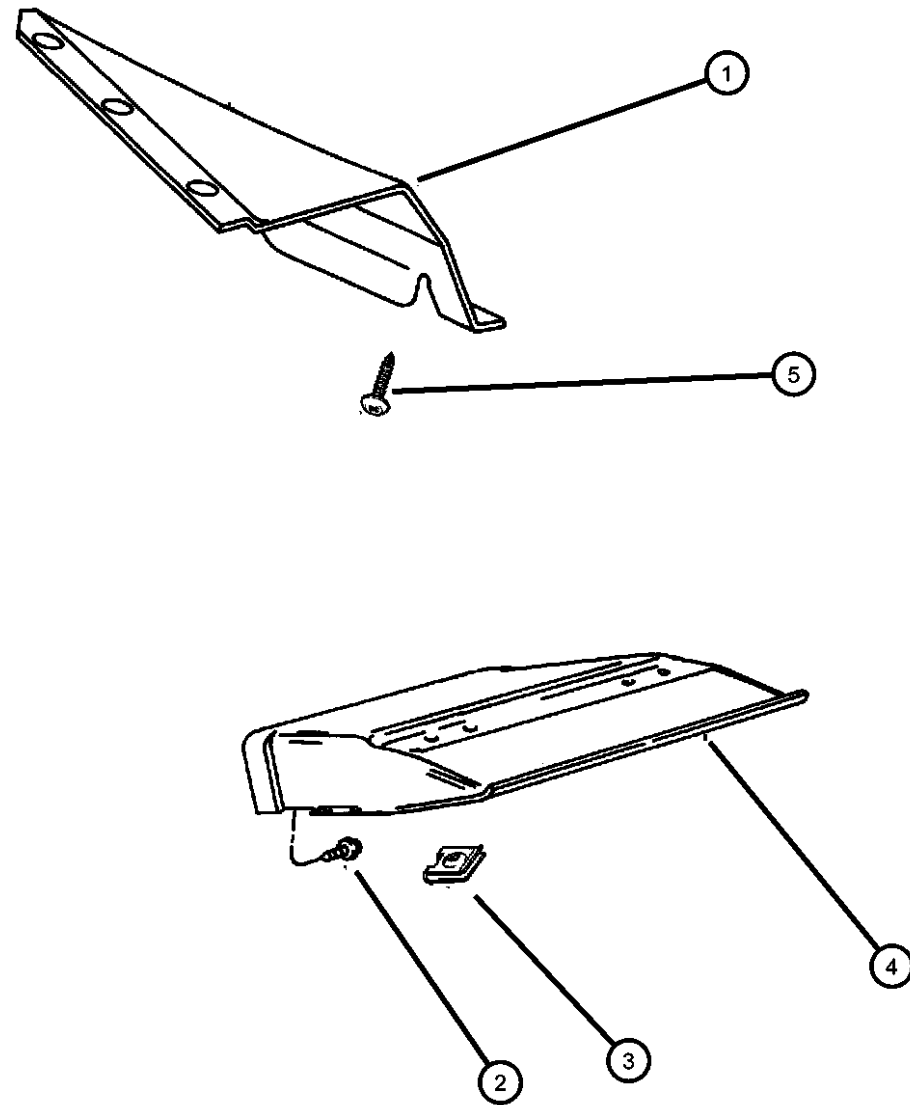
ITEM	PART NUMBER	QTY	LINE	SERIES	BODY	ENGINE	TRANS	TRIM	DESCRIPTION
1	04763667	1							ISOLATOR, Exhaust Support
2	04763629	2							SUPPORT, Exhaust Isolator
3	04709038	5							ISOLATOR, Exhaust
4	04708458	5							SUPPORT, Exhaust Isolator
5	06033047	14							BOLT, Shoulder, .312-18x2.00
6	05245788	1							MUFFLER, Exhaust
7	06101445	2							NUT AND WASHER, Hex Nut-Coned Washer, M8 x 1.25, Hanger
8	05245034	1							HANGER, Muffler
9									RESONATOR AND PIPE, Exhaust
	04854302AA	1							Right
	04854303AA	1							Left
10									INSULATION, Thermal Sill Inner
	05245814	1							Right
	05245815	1							Left
11	05245815	1							BOLT AND CONED WASHER, Hex Head, M8x45x17, (NOT REQUIRED)
-12	04848909AA	2							CLAMP, Exhaust Manifold
13	04695220AB	2							CLAMP, Exhaust
	E0036234								Mopar V-Line Alternative Part
14	04695220AB	2							TIP, Exhaust Pipe, Serviced in Rear Muffler, (NOT SERVICED)
15									CONVERTER, Catalytic
	04873122	1							Right
	04873123	1							Left
16	04848909AA	2							CLAMP, Exhaust Manifold
17	04848909AA	2							NUT, Hex Flange, M8x1.25, (NOT REQUIRED)
18	04709106	1							HANGER BAR, Muffler
19	06101542	2							SCREW, Hex Head, M8-1.25 x 20
20	04848935AA	1							CLAMP, Exhaust
21	04695220AB	2							CLAMP, Exhaust
	E0036234								Mopar V-Line Alternative Part

VIPER GTS COUPE,VIPER RT/10 ROADSTER (SR)

SERIES	LINE	BODY	ENGINE	TRANSMISSION
S = RT/10	D = DODGE	27 = 2-DR CONVERTIBLE	EWB = Engine - 8.0L V10 SFI	DEC = 6-Speed Manual
S = GTS Coupe		29 = SPECIALTY COUPE	EW0 = All 8.0L Gas	DBB = All Manual
X = GTS/Lemans				

AR = use ase required - = Non illustrated part

Heat Shield
Figure 11-210



ITEM	PART NUMBER	QTY	LINE	SERIES	BODY	ENGINE	TRANS	TRIM	DESCRIPTION
1									SHIELD, Heat
	04763846	1							Right
	04763847	1							Left
2	04763847	1							SCREW, (NOT SERVICED)
3	06029074	6							U-NUT, .25-20
4	05245730	1							SHIELD, Heat
5	06035494	10							SCREW TAPPING & WASHER, Hex Head, .190-16X.500
-6									SHIELD, Heat
	04709085	1				27			Rear Fascia
		1				29			Rear Fascia

VIPER GTS COUPE,VIPER RT/10 ROADSTER (SR)

SERIES	LINE	BODY	ENGINE	TRANSMISSION
S = RT/10	D = DODGE	27 = 2-DR CONVERTIBLE	EWB = Engine - 8.0L V10 SFI	DEC = 6-Speed Manual
S = GTS Coupe		29 = SPECIALTY COUPE	EW0 = All 8.0L Gas	DBB = All Manual
X = GTS/Lemans				

AR = use ase required - = Non illustrated part

2001 SR

Group - 13

Frames and Bumpers

Group - 13 Frames and Bumpers

Group-Fig. No.

Illustration Title

Frames

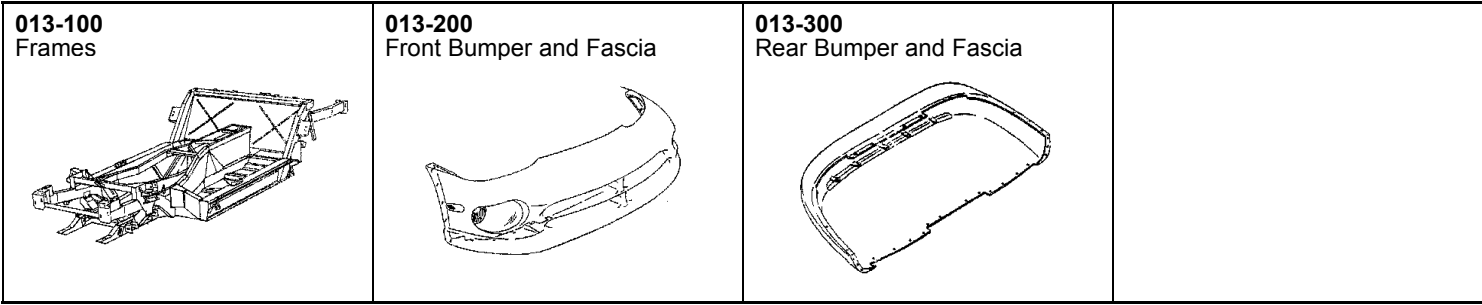
Frame Fig. 13 - 110

Front Bumper and Fascia

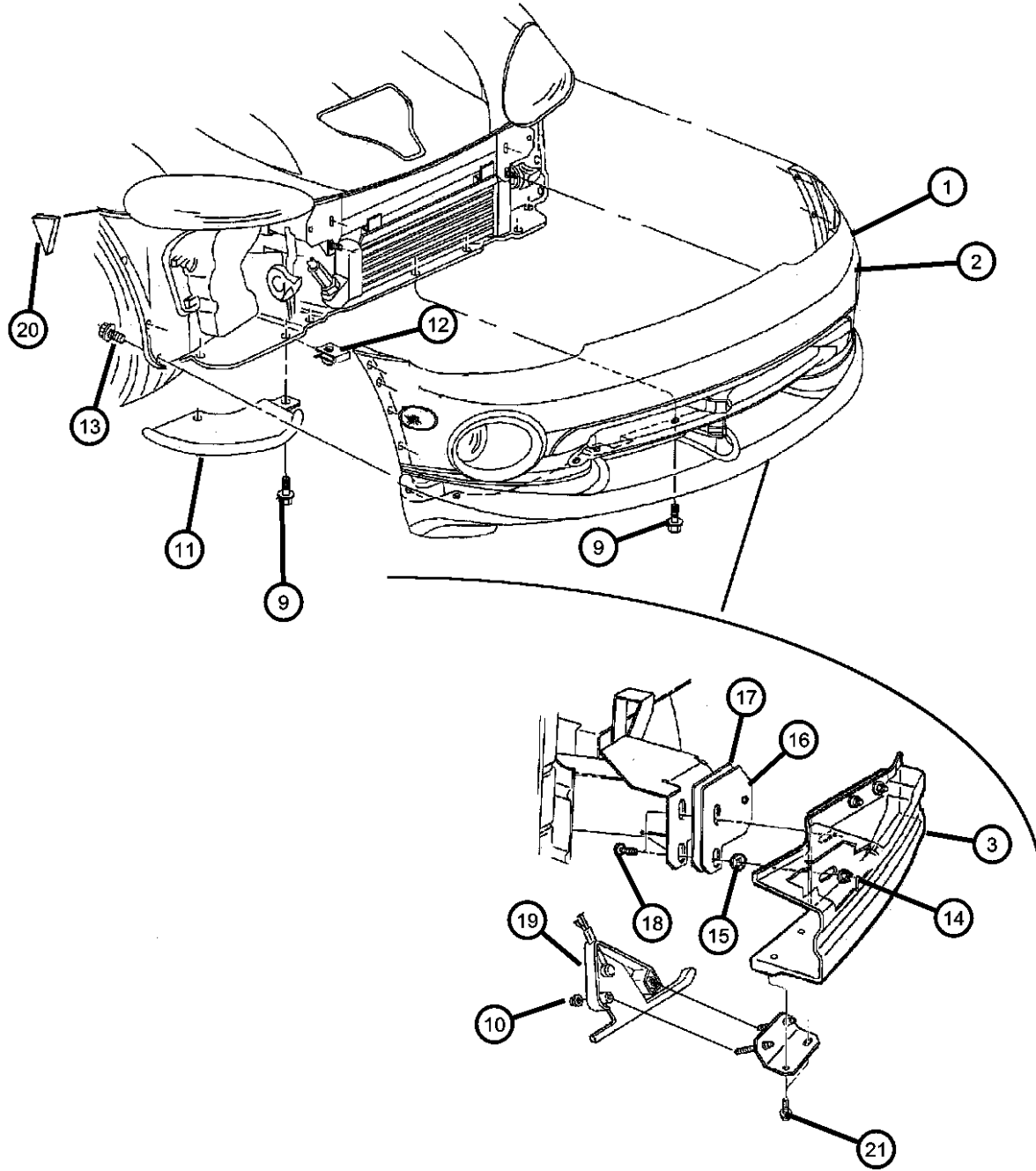
Fascia, Front..... Fig. 13 - 210

Rear Bumper and Fascia

Fascia, Rear Fig. 13 - 310



Fascia, Front
Figure 13-210



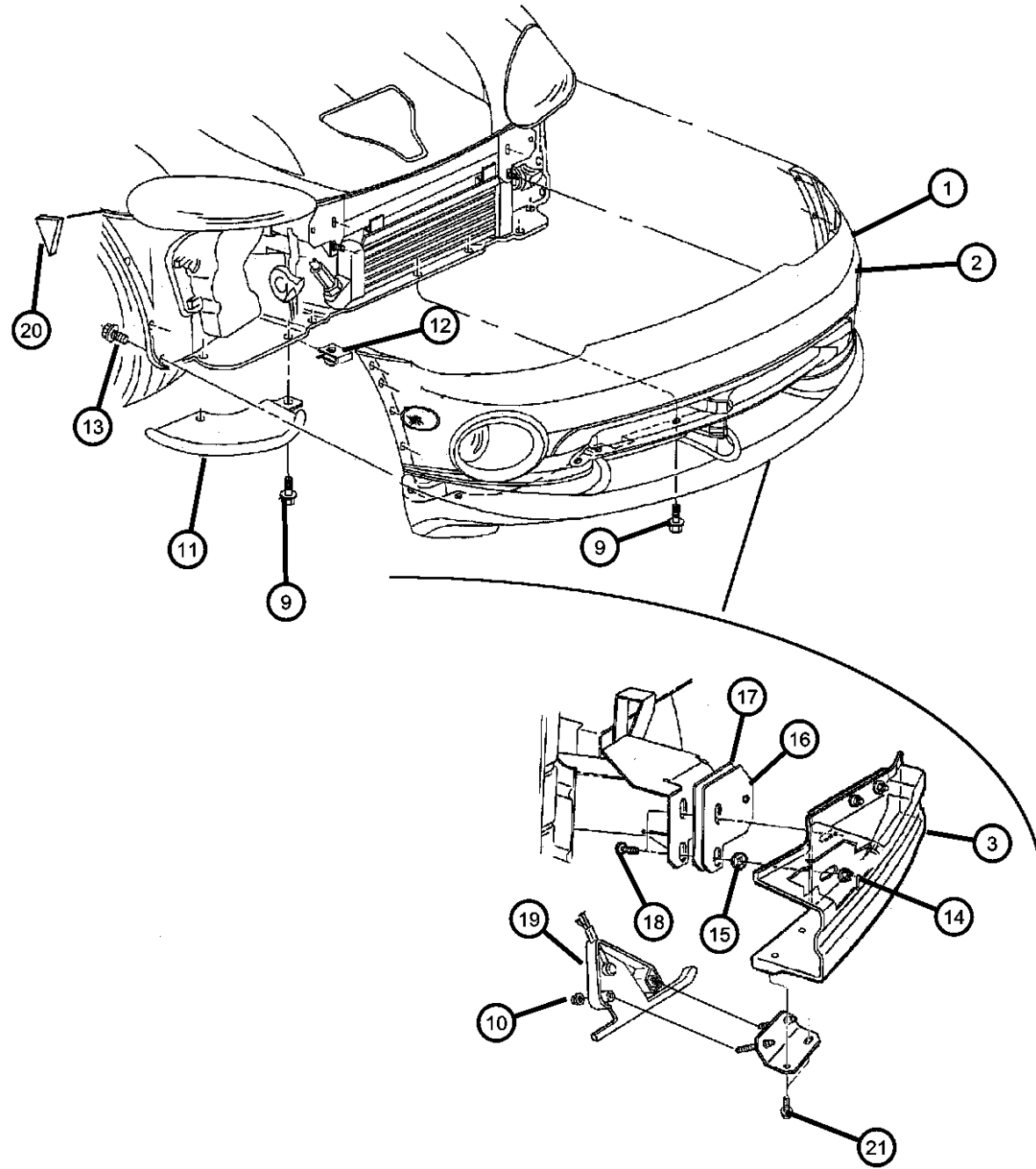
ITEM	PART NUMBER	QTY	LINE	SERIES	BODY	ENGINE	TRANS	TRIM	DESCRIPTION
NOTE: Sales Codes: [ACR] =COMPETITION GROUP									
1	05014539AB	1			27				FASCIA, Front without Stripes
		1			29				without Stripes
	0SV531BWAC	1			29				[BW]
	0SV531RNAC	1			29				[RN]
	0SV531YRAC	1			29				[YR]
2	05015296AA	1			29				FASCIA, Front, Primed, [ACR]
3									BUMPER, Fascia
	04763098	1			27				
		1			29				
-4									SCUFFER, Fascia Front, Chip Tape
	04848828	1			27				Right
		1			29				Right
	04848829	1			27				Left
		1			29				Left
-5									ADAPTER, Bumper Fascia
	05245074	1			27				Right
		1			29				Right
	05245075	1			27				Left
		1			29				Left
-6									FOAM AND TAPE, Fascia
	04763096	1			27				
		1			29				
-7									FOAM AND TAPE, Frt Fascia Grille Opng, GT-2
	05245044	1			27				
		1			29				
-8									SEAL, Front Fascia To Hood
	04848448	1			27				
		1			29				
9	06025335	4							SCREW
10	06100515	1							NUT, Hex Flange Lock, M5
11	04848612	1			29				PANEL, Front Fascia
12									U-NUT, .25-20

VIPER GTS COUPE,VIPER RT/10 ROADSTER (SR)

SERIES	LINE	BODY	ENGINE	TRANSMISSION
S = RT/10	D = DODGE	27 = 2-DR CONVERTIBLE	EWB = Engine - 8.0L V10 SFI	DEC = 6-Speed Manual
S = GTS Coupe		29 = SPECIALTY COUPE	EW0 = All 8.0L Gas	DBB = All Manual
X = GTS/Lemans				

AR = use ase required - = Non illustrated part

Fascia, Front
Figure 13-210



ITEM	PART NUMBER	QTY	LINE	SERIES	BODY	ENGINE	TRANS	TRIM	DESCRIPTION
	06029074	10			27				
		10			29				
13	06102086AA	10							SCREW AND WASHER, Hex Head, M5x0.80x25.00
14	06101448	4							NUT AND WASHER, Hex Nut-Coned Washer, M10 x 1.5
15	06101448	4							NUT, (NOT SERVICED)
16	05245443	AR							SHIM, Bumper, Thin
17	05245444	AR							SHIM, Bumper, Thick
18	05245444	AR							BOLT, M10x1.50x35, (NOT SERVICED)
19	04709049AB	1							HANDLE AND CABLE, Hood Release
20	04709275	2							PAD, Bulkhead Spacer
21	04709275	2							SCREW, (NOT SERVICED)
-22	04708268	1							FRAME, License Plate

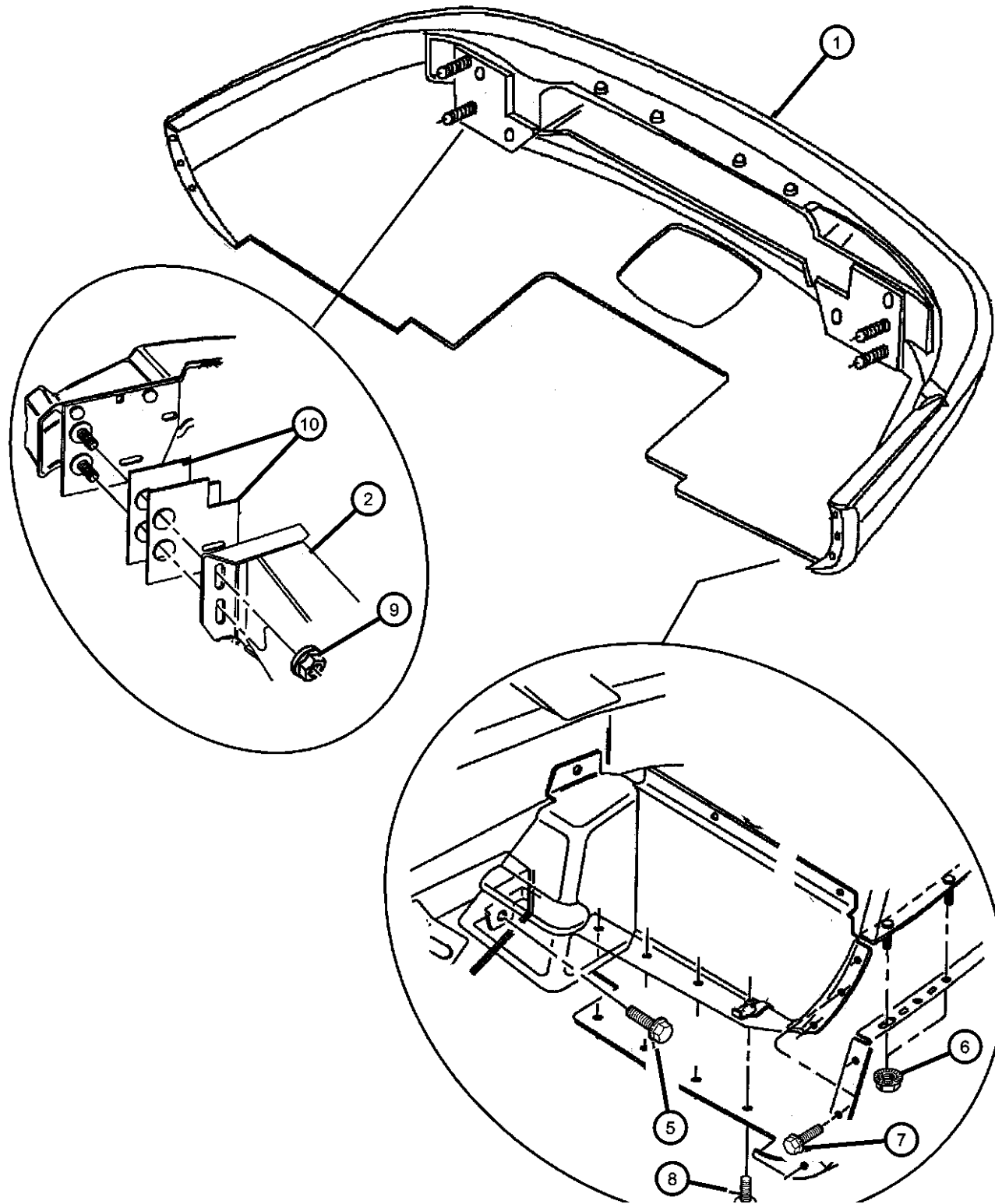
VIPER GTS COUPE,VIPER RT/10 ROADSTER (SR)

SERIES	LINE	BODY	ENGINE	TRANSMISSION
S = RT/10	D = DODGE	27 = 2-DR CONVERTIBLE	EWB = Engine - 8.0L V10 SFI	DEC = 6-Speed Manual
S = GTS Coupe		29 = SPECIALTY COUPE	EW0 = All 8.0L Gas	DBB = All Manual
X = GTS/Lemans				

AR = use ase required - = Non illustrated part

2001 SR

Fascia, Rear
Figure 13-310



ITEM	PART NUMBER	QTY	LINE	SERIES	BODY	ENGINE	TRANS	TRIM	DESCRIPTION
1									FASCIA, Rear
	05014554AA	1			27				Primed
	05014555AA	1			29				Primed
	0SV59LRNAA	1			27				[RN]
	0SV59WYRAA	1			27				[YR]
	0SV59YB-WAA	1			27				[BW]
	0SV61LRNAA	1			29				[RN]
	0SV61WYRAA	1			29				[YR]
	0SV61YB-WAA	1			29				[BW]
	0SV631BWAA	1			29				[BW] with Stripes
	0SV631RNAA	1			29				[RN] with Stripes
	0SV631YRAA	1			29				[YR] with Stripes
2									BUMPER, Fascia, Reinforcement
	04763098	1			29				
		1			27				
-3									ADAPTER, Bumper Fascia, with Brackets
	05245076	1			27				Right
		1			29				Right
	05245077	1			27				Left
		1			29				Left
-4	04270974	1							LICENSE PLATE KIT
5	04270974	1							SCREW, (NOT SERVICED)
6									NUT AND WASHER
	06501941	4			27				
		4			29				
7		4							SCREW, (NOT SERVICED)
8	06025335	4							SCREW
9	06101448	4							NUT AND WASHER, Hex Nut-Coned Washer, M10 x 1.5
10	06101448	4							SHIM, (NOT SERVICED)
-11									FOAM AND TAPE, Fascia
	04708347	1			27				
	04763373	1			29				

VIPER GTS COUPE, VIPER RT/10 ROADSTER (SR)

SERIES	LINE	BODY	ENGINE	TRANSMISSION
S = RT/10	D = DODGE	27 = 2-DR CONVERTIBLE	EWB = Engine - 8.0L V10 SFI	DEC = 6-Speed Manual
S = GTS Coupe		29 = SPECIALTY COUPE	EW0 = All 8.0L Gas	DBB = All Manual
X = GTS/Lemans				

AR = use ase required - = Non illustrated part

Group - 14

Fuel

Group - 14 Fuel

Group-Fig. No.

Illustration Title

Tank, Fuel

Fuel TankFig. 14 - 110

Fuel Tank Filler Tube

Fuel Filler Tube.....Fig. 14 - 210

Fuel Lines

Fuel Lines And FilterFig. 14 - 310

Fuel Rail

Fuel Supply TubeFig. 14 - 410

Fuel Pump and Sending Unit

Fuel ModuleFig. 14 - 510

Throttle Body

Throttle BodyFig. 14 - 610

Throttle Controls

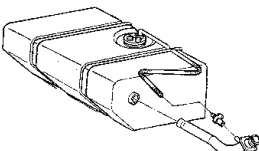

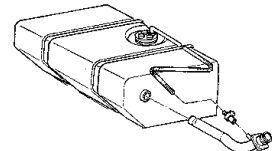
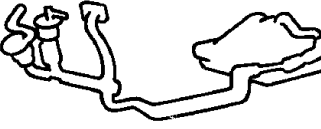
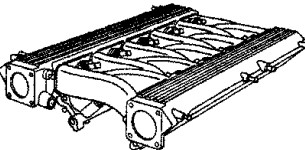
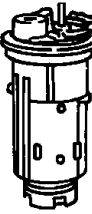
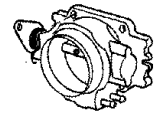
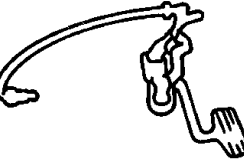
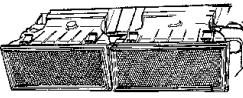
Throttle Controls.....Fig. 14 - 710

Air Cleaner

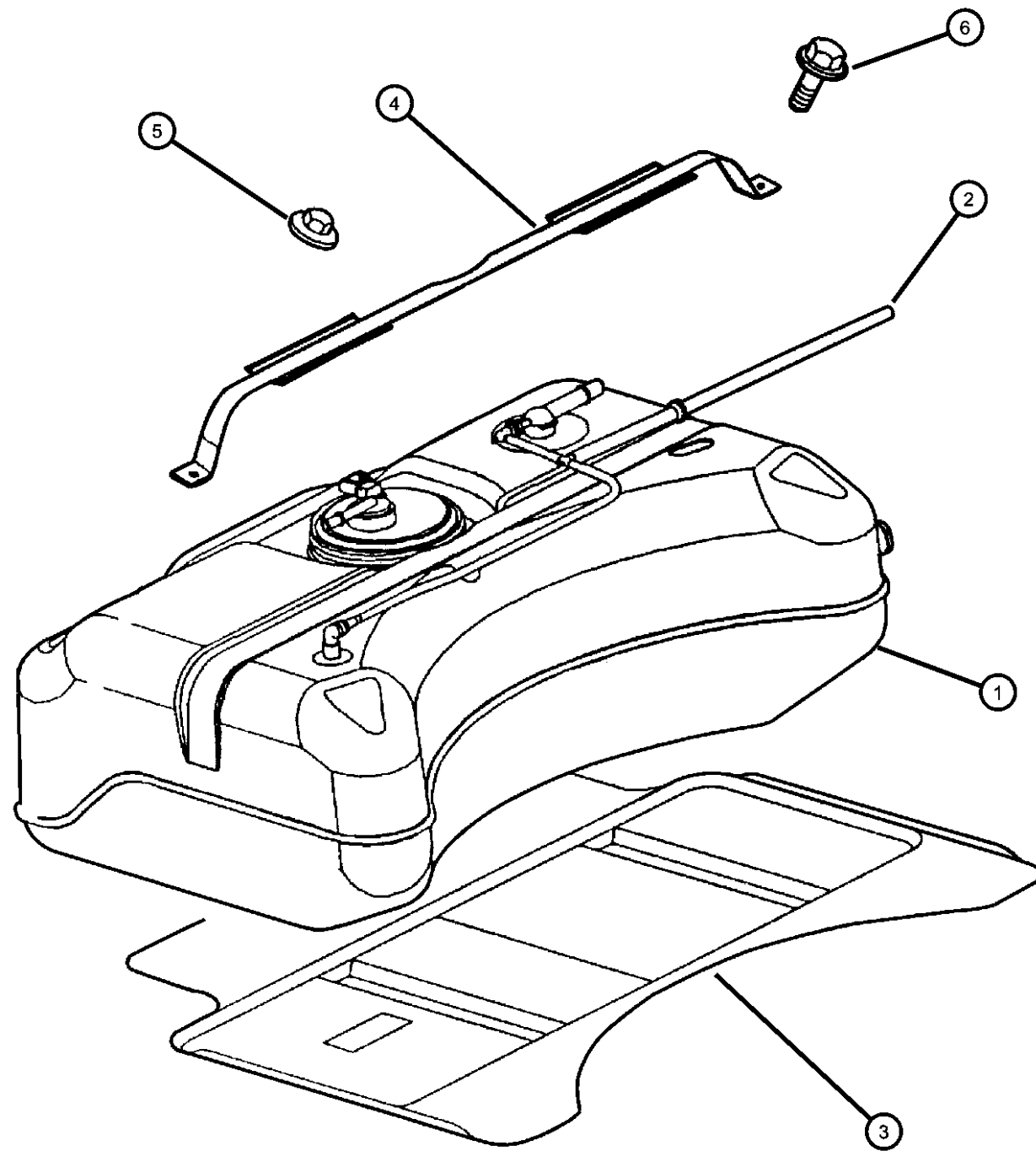
Air Cleaner.....Fig. 14 - 810

Accelerator Pedal

Accelerator PedalFig. 14 - 1110

<p>014-100 Tank, Fuel</p> 	<p>014-1100 Accelerator Pedal</p> 	<p>014-200 Fuel Tank Filler Tube</p> 	<p>014-300 Fuel Lines</p> 
<p>014-400 Fuel Rail</p> 	<p>014-500 Fuel Pump and Sending Unit</p> 	<p>014-600 Throttle Body</p> 	<p>014-700 Throttle Controls</p> 
<p>014-800 Air Cleaner</p> 			

Fuel Tank
Figure 14-110



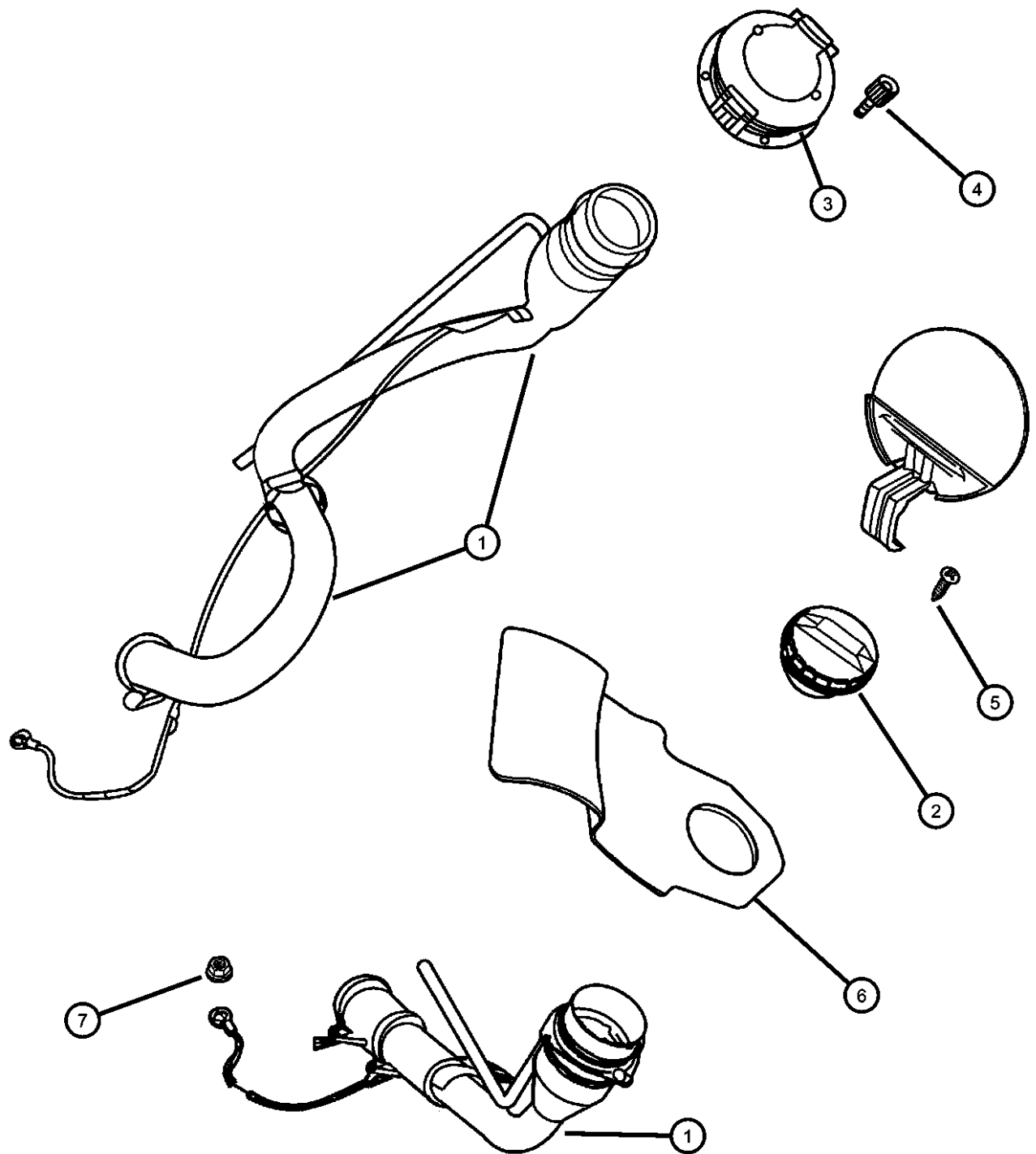
ITEM	PART NUMBER	QTY	LINE	SERIES	BODY	ENGINE	TRANS	TRIM	DESCRIPTION
1	04848985AA	1							TANK, Fuel
2	05264918AA	1							TUBE, Fuel Vapor Recirculation
3	04848940AB	1							SHIELD, Fuel Tank Heat
4	04848282AB	1							STRAP, Fuel Tank
5	06504572	1							NUT AND WASHER, Hex Nut-Coned Washer, M8 x 1.25
6	06504572	1							SCREW AND WASHER, Hex Head, M8x1.25x25, Locking, (NOT SERVICED)

VIPER GTS COUPE,VIPER RT/10 ROADSTER (SR)

SERIES	LINE	BODY	ENGINE	TRANSMISSION
S = RT/10	D = DODGE	27 = 2-DR CONVERTIBLE	EWB = Engine - 8.0L V10 SFI	DEC = 6-Speed Manual
S = GTS Coupe		29 = SPECIALTY COUPE	EW0 = All 8.0L Gas	DBB = All Manual
X = GTS/Lemans				

AR = use ase required - = Non illustrated part

Fuel Filler Tube
Figure 14-210



ITEM	PART NUMBER	QTY	LINE	SERIES	BODY	ENGINE	TRANS	TRIM	DESCRIPTION
1									TUBE, Fuel Filler
	04848998AA	1			29				
	04854431AA	1			27				
2	04848132	1							CAP, Fuel Filler
3	04763684AD	1			29				CAP, Fuel Filler, Metal
4	06102004	4			29				SCREW, CAP, M8x1.25x26.8
5	06102004	4							SCREW, Tapping, .19-16x.75, (NOT SERVICED)
6	04763476	1			27				SHIELD, Fuel Filler Door
7	06502720	1							NUT, Hex Flange Lock, M8x1.25
-8	05264918AA	1							TUBE, Fuel Vapor Recirculation

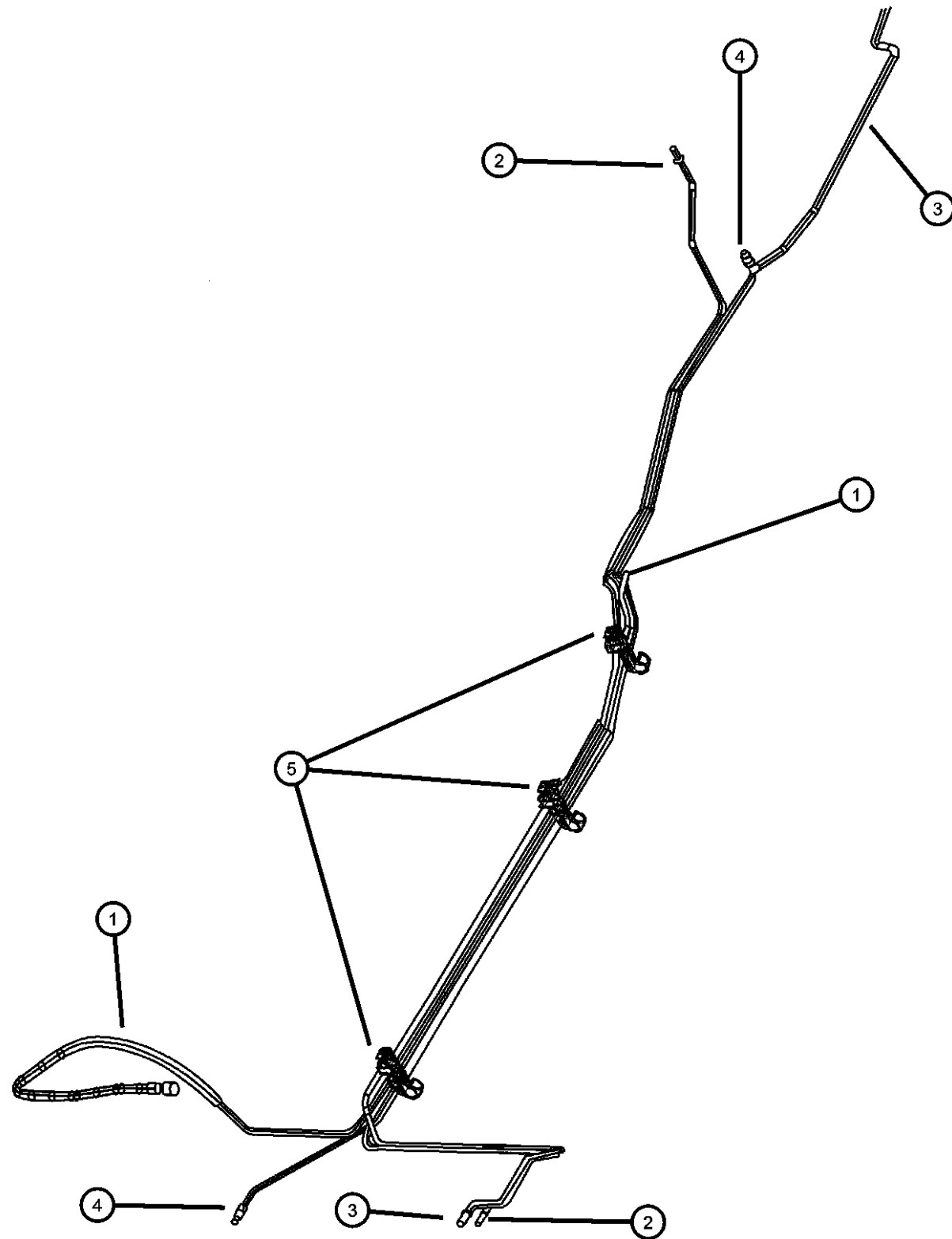
VIPER GTS COUPE,VIPER RT/10 ROADSTER (SR)

SERIES	LINE	BODY	ENGINE	TRANSMISSION
S = RT/10	D = DODGE	27 = 2-DR CONVERTIBLE	EWB = Engine - 8.0L V10 SFI	DEC = 6-Speed Manual
S = GTS Coupe		29 = SPECIALTY COUPE	EW0 = All 8.0L Gas	DBB = All Manual
X = GTS/Lemans				

AR = use ase required - = Non illustrated part

2001 SR

Fuel Lines And Filter
Figure 14-310



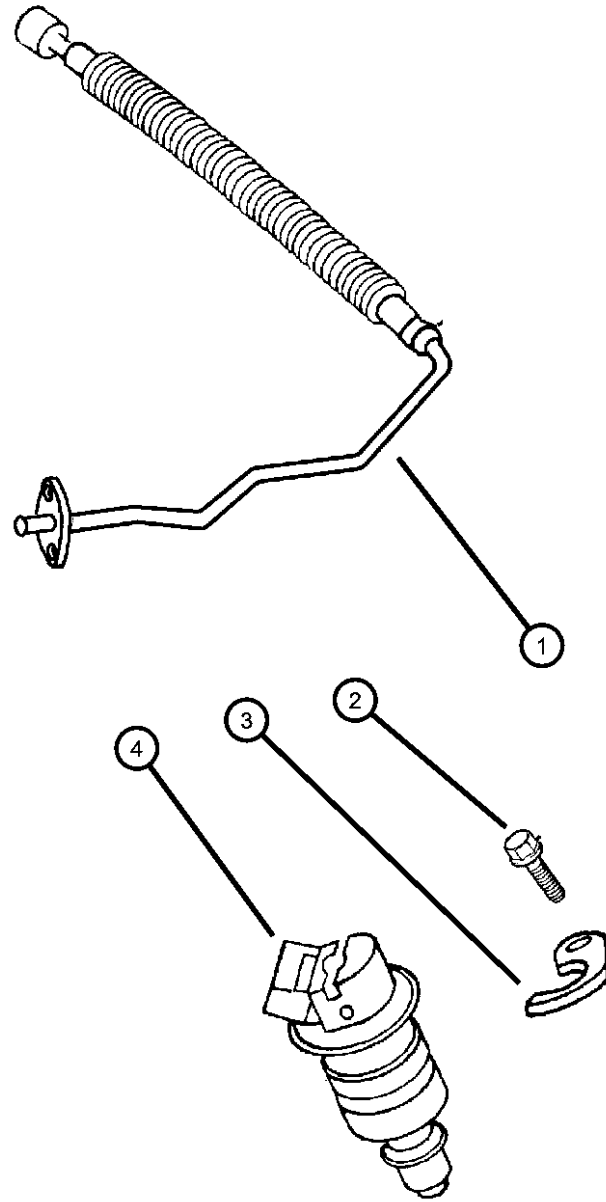
ITEM	PART NUMBER	QTY	LINE	SERIES	BODY	ENGINE	TRANS	TRIM	DESCRIPTION
1	04848994AB	1							TUBE, Fuel Supply
2	04848995AA	1							TUBE, Vacuum
3	04848996AB	1							TUBE, Vapor
4									TUBE, Brake
	04763678AB	1							Right Rear
	04763679AB	1							Left Rear
5	05264859AB	5							CLIP, Fuel Bundle
-6	03404625	1							CLIP, Tube

VIPER GTS COUPE,VIPER RT/10 ROADSTER (SR)

SERIES	LINE	BODY	ENGINE	TRANSMISSION
S = RT/10	D = DODGE	27 = 2-DR CONVERTIBLE	EWB = Engine - 8.0L V10 SFI	DEC = 6-Speed Manual
S = GTS Coupe		29 = SPECIALTY COUPE	EW0 = All 8.0L Gas	DBB = All Manual
X = GTS/Lemans				

AR = use ase required - = Non illustrated part

Fuel Supply Tube
Figure 14-410



ITEM	PART NUMBER	QTY	LINE	SERIES	BODY	ENGINE	TRANS	TRIM	DESCRIPTION
NOTE Sales Code [EWB]=8.0L V-10 Engine									
1	05245792	1				EWB			RAIL, Fuel, with O Ring
2	06035666	10				EWB			SCREW, Hex Flange Head, .25-20x1.00
3									RETAINER, Fuel Injector
	05245807	9				EWB			
	05245809	1				EWB			Right Rear
4	05245724	10				EWB			INJECTOR, Fuel
-5	04723971	10				EWB			O RING PACKAGE, Fuel Injector

VIPER GTS COUPE,VIPER RT/10 ROADSTER (SR)

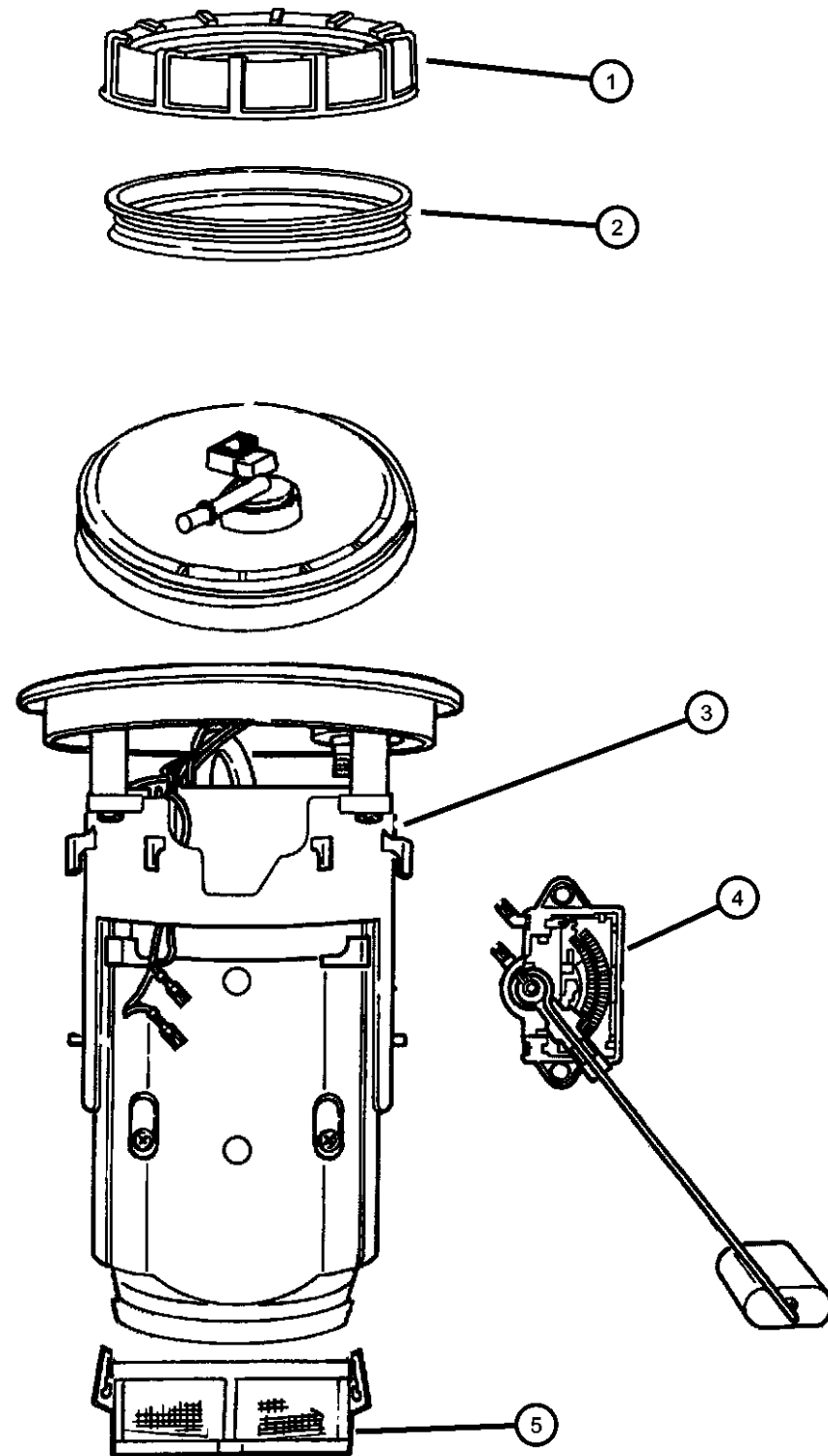
SERIES	LINE	BODY	ENGINE	TRANSMISSION
S = RT/10	D = DODGE	27 = 2-DR CONVERTIBLE	EWB = Engine - 8.0L V10 SFI	DEC = 6-Speed Manual
S = GTS Coupe		29 = SPECIALTY COUPE	EW0 = All 8.0L Gas	DBB = All Manual
X = GTS/Lemans				

AR = use ase required - = Non illustrated part

2001 SR

Fuel Module
Figure 14-510

ITEM	PART NUMBER	QTY	LINE	SERIES	BODY	ENGINE	TRANS	TRIM	DESCRIPTION
1	52005389	1							NUT, Fuel Pump Module
2	52018808	1							SEAL, Fuel Pump and Level Unit
3	05017074AA	1							MODULE KIT, Fuel Pump/Level Unit
4	05017080AA	1							LEVEL UNIT KIT, Fuel
5	05017080AA	1							FILTER KIT, Fuel, Serviced in Module, (NOT SERVICED)

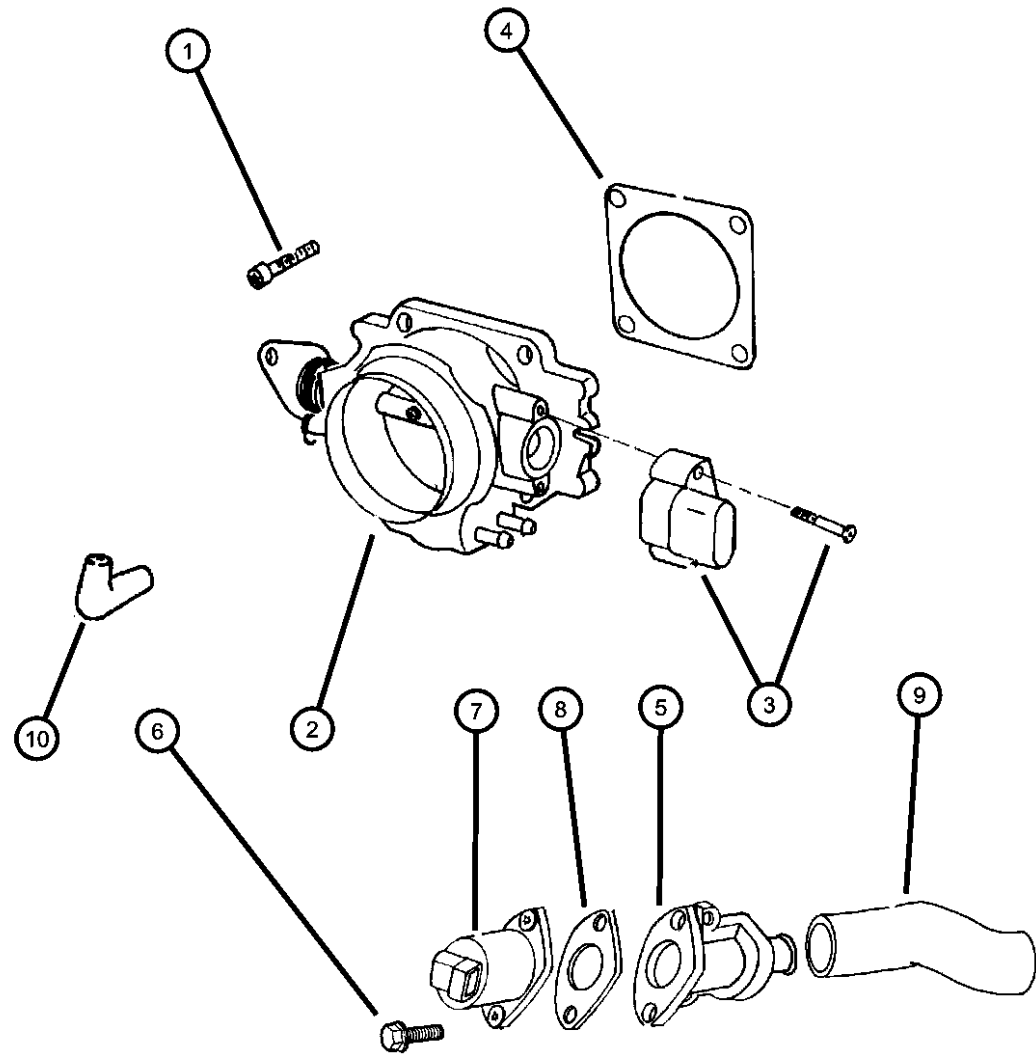


VIPER GTS COUPE,VIPER RT/10 ROADSTER (SR)

SERIES	LINE	BODY	ENGINE	TRANSMISSION
S = RT/10	D = DODGE	27 = 2-DR CONVERTIBLE	EWB = Engine - 8.0L V10 SFI	DEC = 6-Speed Manual
S = GTS Coupe		29 = SPECIALTY COUPE	EW0 = All 8.0L Gas	DBB = All Manual
X = GTS/Lemans				

AR = use ase required - = Non illustrated part

**Throttle Body
Figure 14-610**



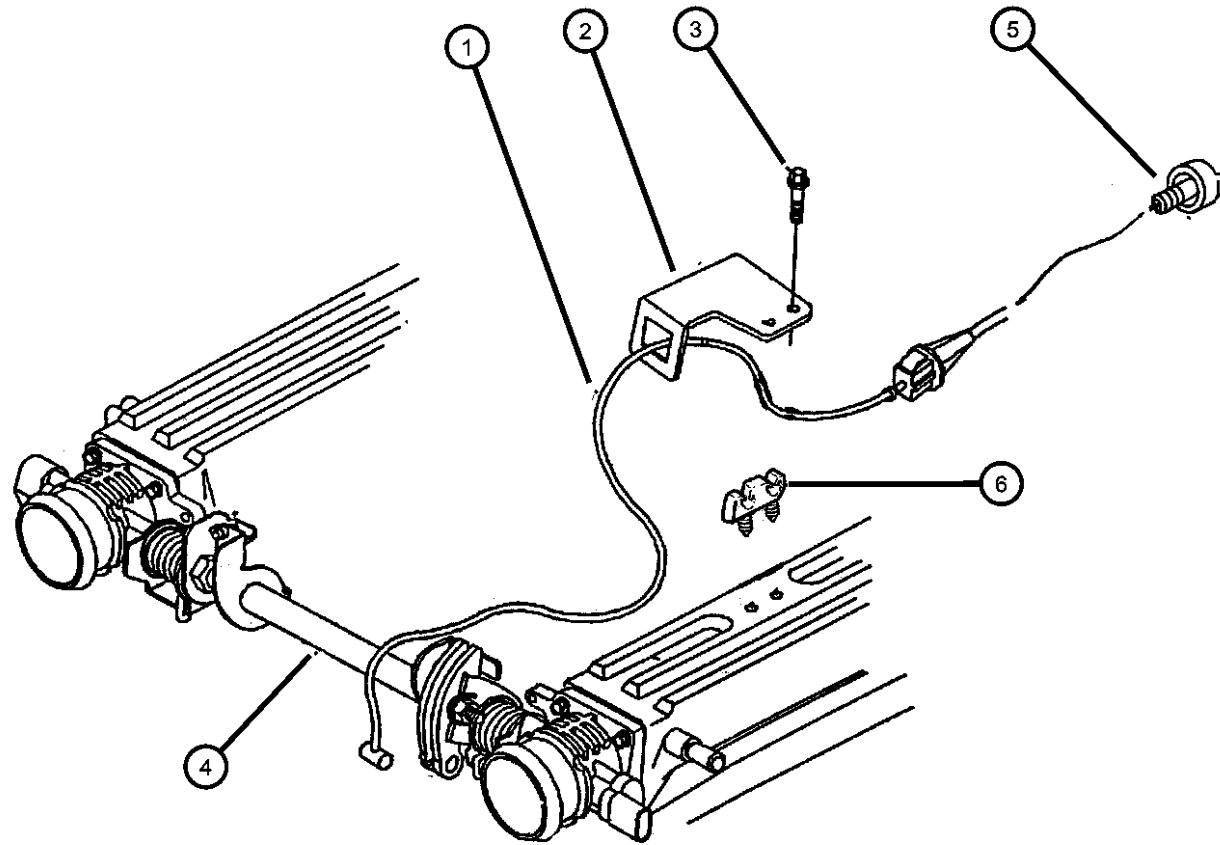
ITEM	PART NUMBER	QTY	LINE	SERIES	BODY	ENGINE	TRANS	TRIM	DESCRIPTION
NOTE: EWB=8.0L V-10 Engine									
1	06035666	8				EWB			SCREW, Hex Flange Head, .25-20x1.00
2									THROTTLE BODY
	04763763	1				EWB			Left
	04763766	1				EWB			Right
3	04874371AB	1				EWB			SENSOR, Throttle Position
4	04848126	2				EWB			GASKET, Throttle Body To Intake
5	05245749AB	1				EWB			MOTOR AND BODY, IACV
6	06035666	2				EWB			SCREW, Hex Flange Head, .25-20x1.00
7	04778637AB	1				EWB			MOTOR KIT, A.I.S.
8	05245373	1				EWB			GASKET, A.I.S. Motor
9	04763805	1							HOSE, A.I.S. Supply
10	53009672	1				EWB			CONNECTOR, Emission Hose

VIPER GTS COUPE,VIPER RT/10 ROADSTER (SR)

SERIES	LINE	BODY	ENGINE	TRANSMISSION
S = RT/10	D = DODGE	27 = 2-DR CONVERTIBLE	EWB = Engine - 8.0L V10 SFI	DEC = 6-Speed Manual
S = GTS Coupe		29 = SPECIALTY COUPE	EW0 = All 8.0L Gas	DBB = All Manual
X = GTS/Lemans				

AR = use ase required - = Non illustrated part

Throttle Controls
Figure 14-710



ITEM	PART NUMBER	QTY	LINE	SERIES	BODY	ENGINE	TRANS	TRIM	DESCRIPTION
------	-------------	-----	------	--------	------	--------	-------	------	-------------

NOTE: EWB=8.0L V-10 Engine

1	04763969	1							CABLE, Accelerator
2	04848836AB	1							BRACKET, Accelerator Cable
3	06035666	2							SCREW, Hex Flange Head, .25-20x1.00
4	04763764	1				EWB			LINKAGE, Throttle Body
5	04287736	2							RETAINER, Throttle Cable
6	04606041	1				EWB			CLIP, Accelerator Cable

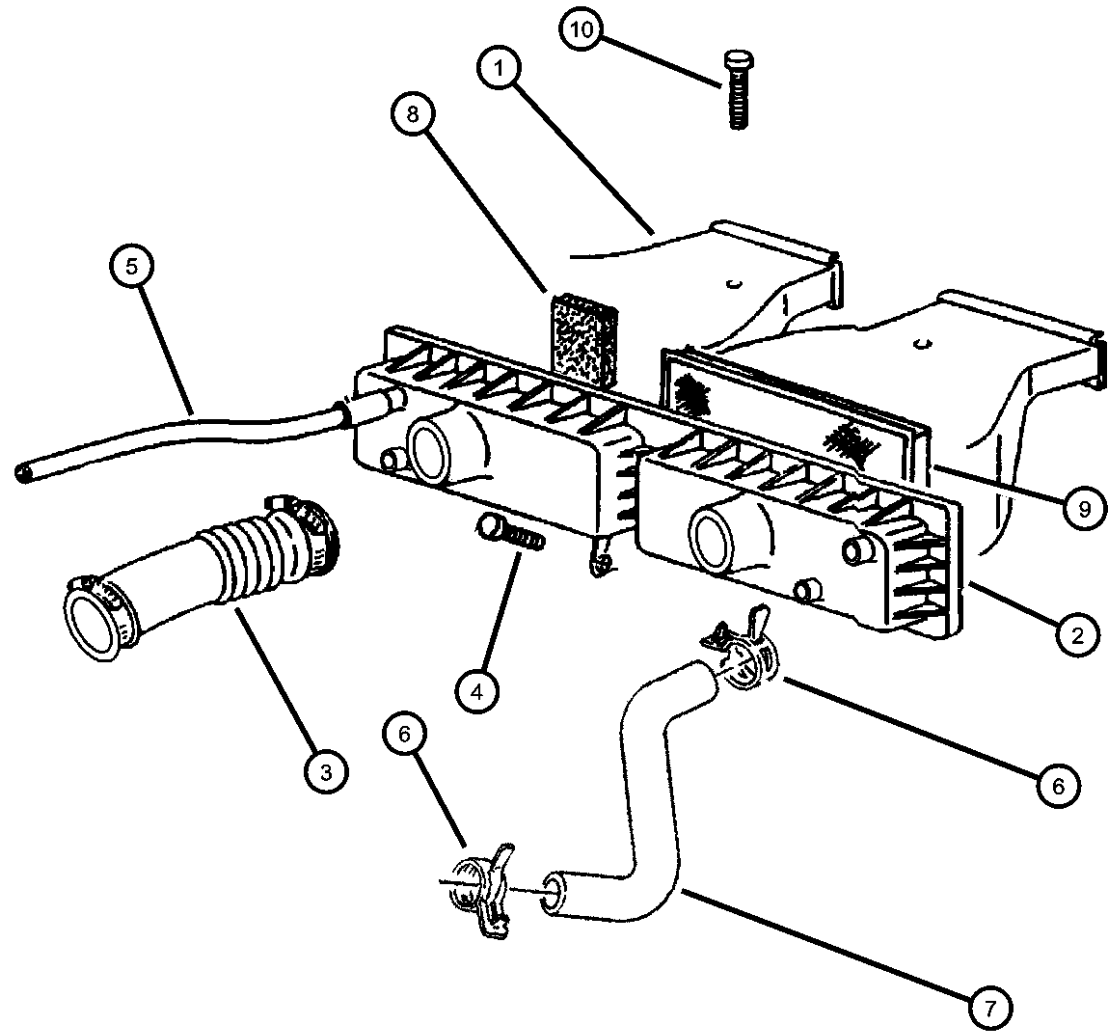
VIPER GTS COUPE,VIPER RT/10 ROADSTER (SR)

SERIES	LINE	BODY	ENGINE	TRANSMISSION
S = RT/10	D = DODGE	27 = 2-DR CONVERTIBLE	EWB = Engine - 8.0L V10 SFI	DEC = 6-Speed Manual
S = GTS Coupe		29 = SPECIALTY COUPE	EW0 = All 8.0L Gas	DBB = All Manual
X = GTS/Lemans				

AR = use ase required - = Non illustrated part

2001 SR

Air Cleaner
Figure 14-810



ITEM	PART NUMBER	QTY	LINE	SERIES	BODY	ENGINE	TRANS	TRIM	DESCRIPTION
1	05245780AB	1							HOUSING, Air Inlet
2	05245312	1							HOUSING, Air Outlet
3	05245778AC	2							TUBE, Air Cleaner to T/Body
4	05245492	1							SCREW, Air Cleaner Cover
5	04763806AC	1				EWB			HARNES, CCV To Air Cleaner
6	06502018	2							CLAMP, Hose, M28.9 x 1.60, AIS Hose
7	04763805	1							HOSE, A.I.S. Supply
8	05245266	1							ELEMENT, Air Cleaner
9	05245265AD	2							ELEMENT, Air Cleaner
10	04848313	2							SCREW, Air Cleaner

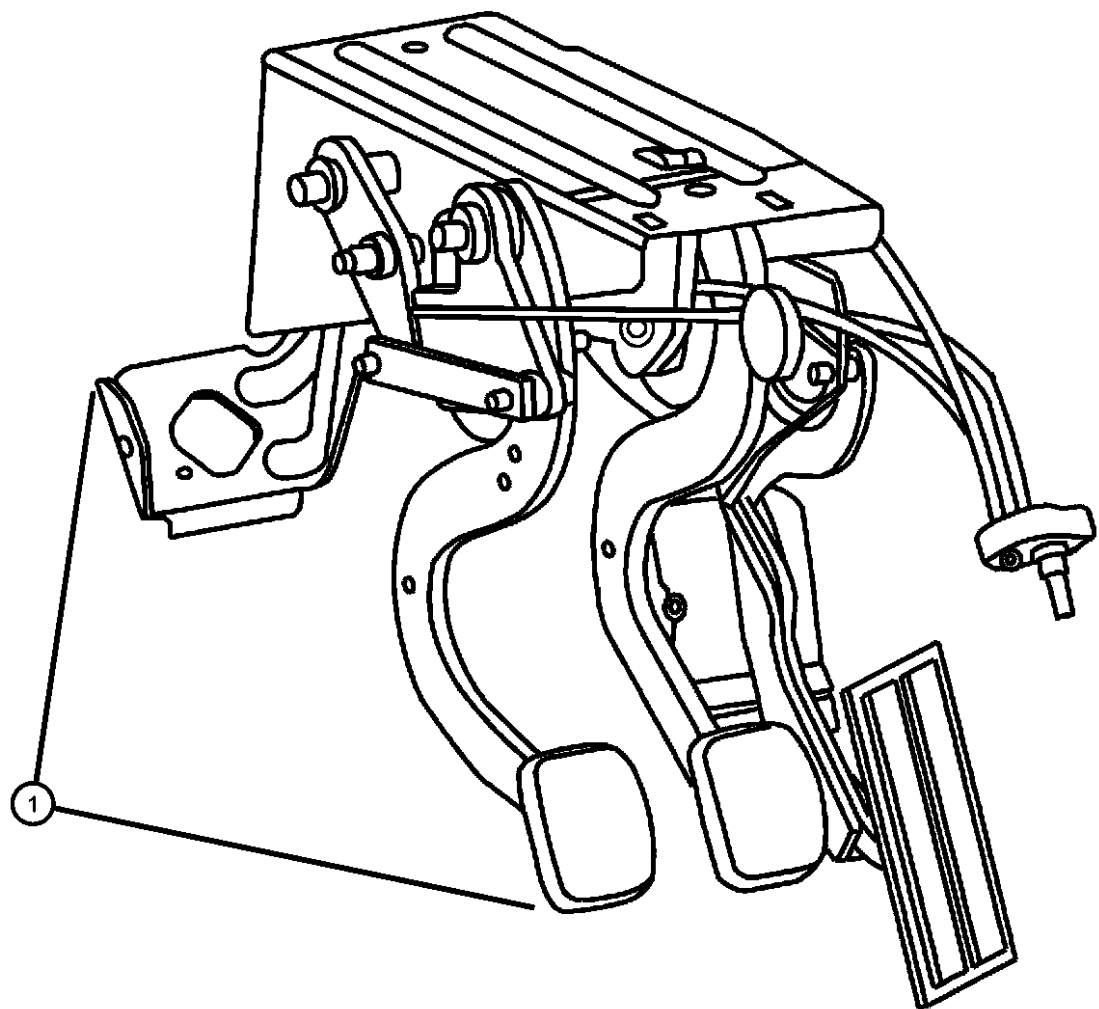
VIPER GTS COUPE,VIPER RT/10 ROADSTER (SR)

SERIES	LINE	BODY	ENGINE	TRANSMISSION
S = RT/10	D = DODGE	27 = 2-DR CONVERTIBLE	EWB = Engine - 8.0L V10 SFI	DEC = 6-Speed Manual
S = GTS Coupe		29 = SPECIALTY COUPE	EW0 = All 8.0L Gas	DBB = All Manual
X = GTS/Lemans				

AR = use ase required - = Non illustrated part

**Accelerator Pedal
Figure 14-1110**

ITEM	PART NUMBER	QTY	LINE	SERIES	BODY	ENGINE	TRANS	TRIM	DESCRIPTION
1	04763022AD	1							PEDAL, Brake, Clutch, and Accelerator
-2	04201048	1							SEAL, Accelerator Shaft Bracket
-3	06504516	2							NUT AND WASHER, M6x1.00



VIPER GTS COUPE,VIPER RT/10 ROADSTER (SR)

SERIES	LINE	BODY	ENGINE	TRANSMISSION
S = RT/10	D = DODGE	27 = 2-DR CONVERTIBLE	EWB = Engine - 8.0L V10 SFI	DEC = 6-Speed Manual
S = GTS Coupe		29 = SPECIALTY COUPE	EW0 = All 8.0L Gas	DBB = All Manual
X = GTS/Lemans				

AR = use ase required - = Non illustrated part

2001 SR

Group - 16

Propeller Shafts and U-Joints

Group - 16 Propeller Shafts and U-Joints

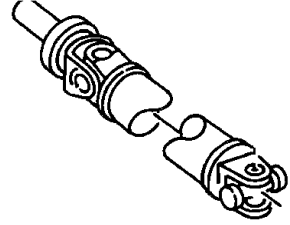
Group-Fig. No.

Illustration Title

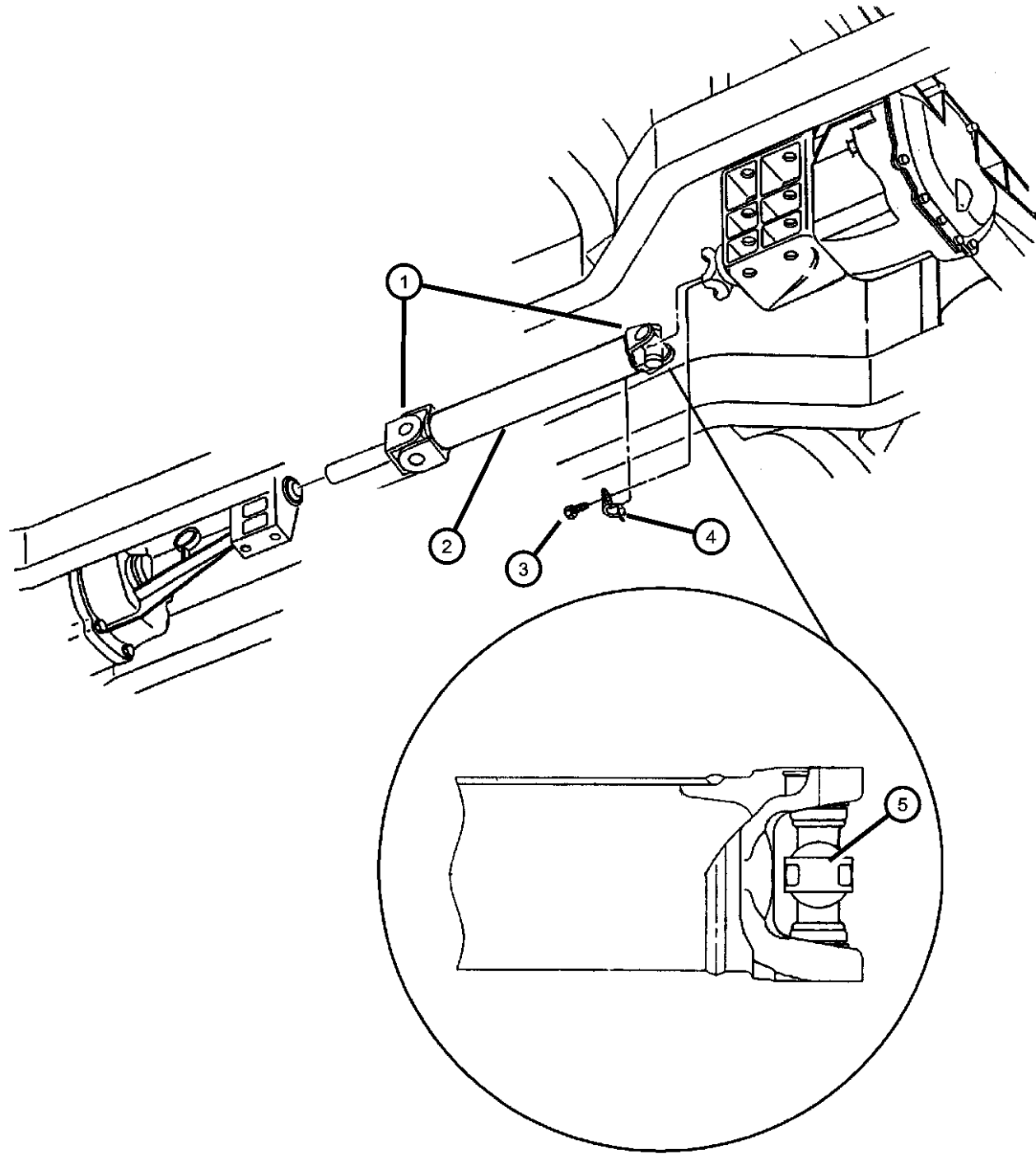
Propeller Shaft

Shaft, Propeller.....Fig. 16 - 110

016-100
Propeller Shaft



Shaft, Propeller
Figure 16-110



ITEM	PART NUMBER	QTY	LINE	SERIES	BODY	ENGINE	TRANS	TRIM	DESCRIPTION
1	04797307AB	2							U JOINT
2	04642040	1							SHAFT, Drive
3	06502581	12							BOLT, Hex Flange Head, M8x1.0x19
4	04428723	6							CLAMP, U-Joint
5	04428723	6							STRAP, Bearing (For Shipping, (NOT SERVICED))

VIPER GTS COUPE,VIPER RT/10 ROADSTER (SR)

SERIES	LINE	BODY	ENGINE	TRANSMISSION
S = RT/10	D = DODGE	27 = 2-DR CONVERTIBLE	EWB = Engine - 8.0L V10 SFI	DEC = 6-Speed Manual
S = GTS Coupe		29 = SPECIALTY COUPE	EW0 = All 8.0L Gas	DBB = All Manual
X = GTS/Lemans				

AR = use ase required - = Non illustrated part

2001 SR

Group - 17

Rear Suspension

Group - 17 Rear Suspension

Group-Fig. No.

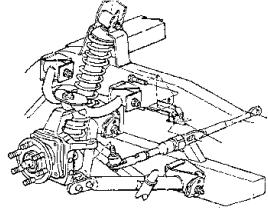
Illustration Title

Rear Suspension

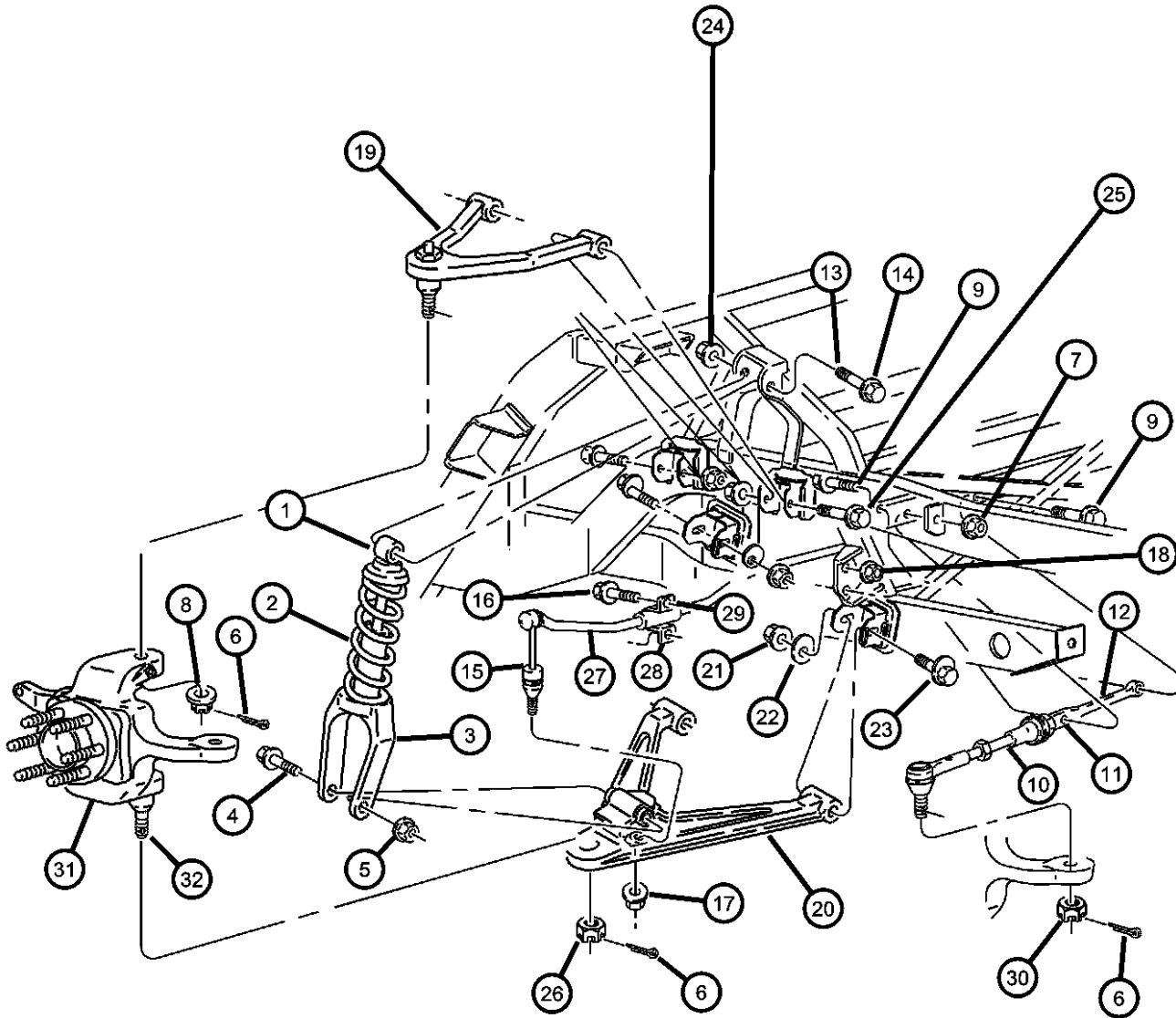
Suspension, RearFig. 17 - 120

017-100

Rear Suspension



Suspension, Rear
Figure 17-120



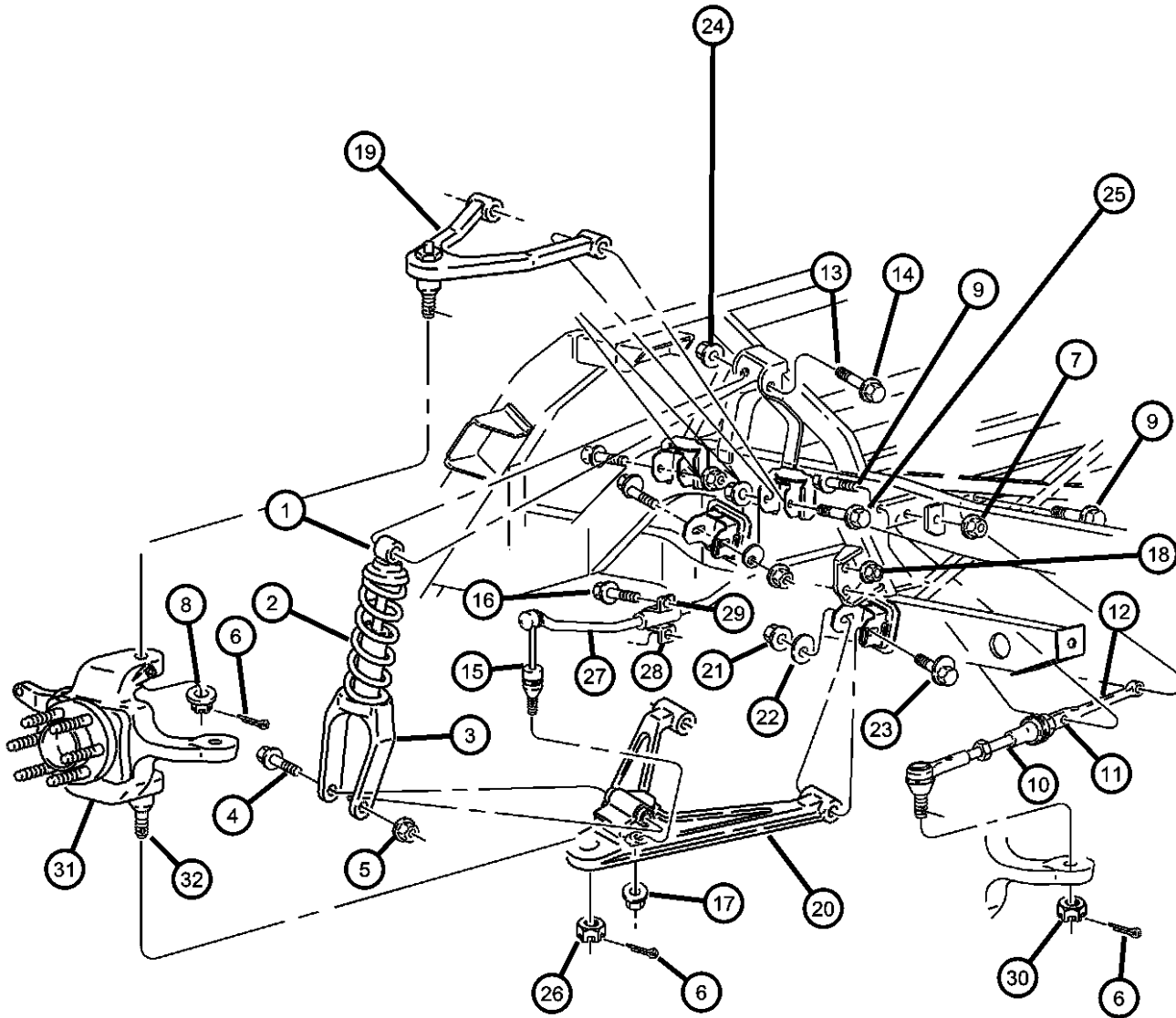
ITEM	PART NUMBER	QTY	LINE	SERIES	BODY	ENGINE	TRANS	TRIM	DESCRIPTION
Sales Codes: [SDE]= SPORT GROUP [SDK]= COMPETITION GROUP									
1									SHOCK ABSORBER, Suspension, Rear
	04848508	1							without Spring [SDE]
	05264920AB	1							with Spring [SDK]
2	04873203	2							SPRING, Rear Coil, [SDE]
3									BRACKET, Suspension
	04709316AB	1							Right
	04709317AB	1							Left
4	06504189	2							SCREW, M14x2.00x127.00
5	06036253AA	2							NUT
6	00120123	2							PIN, Cotter
7	06502337	2							NUT, M10x1.5
8	06035641	2							NUT, Hex, .625-18
9	06101063	4							SCREW AND WASHER, M10x1.5x45
10	04763159	2							LINK, Trailing Rear Suspension
11									SHIM, Tow Link To Frame
	04643912	AR							[NOM]
	04643914	AR							[4U]
	04643915	AR							[6U]
	04643985	AR							[2D]
	04643986	AR							[4D]
	04643987	AR							[6D]
12	04709309	2							ROD, Toe Link
13	06100969	2							BOLT, Hex Flange Head, M14x2.00x90, [SDE]
14	06036254AA	2							SCREW, [SDK]
15	04709289	2							LINK, Rear Suspension Assist
16	04709289	2							SCREW, W/Washer M10x1.50x30.00, (NOT SERVICED)
17	06502556	2							NUT, Hex, M10-1.5
18	06100219	2							NUT, Hex Jam, M10x1.5
19	04709320	2							ARM, ControlUpper
20									ARM, Control
	04709324	1							Lower Right

VIPER GTS COUPE,VIPER RT/10 ROADSTER (SR)

SERIES	LINE	BODY	ENGINE	TRANSMISSION
S = RT/10	D = DODGE	27 = 2-DR CONVERTIBLE	EWB = Engine - 8.0L V10 SFI	DEC = 6-Speed Manual
S = GTS Coupe		29 = SPECIALTY COUPE	EW0 = All 8.0L Gas	DBB = All Manual
X = GTS/Lemans				

AR = use ase required - = Non illustrated part

Suspension, Rear
Figure 17-120



ITEM	PART NUMBER	QTY	LINE	SERIES	BODY	ENGINE	TRANS	TRIM	DESCRIPTION
	04709325	1							Lower Left
21	00152349	4							NUT, Hex, .50-20
22	02269232	4							CAM, Front Suspension Control Arm
23	06036300AA	4							BOLT, Camber Adjust
24	06036300AA	4							NUT, Engine Mounting, M12 x 1.75, (NOT SERVICED)
25	06035670	4							NUT, Hex, W/Washer M12x1.75x95.00, .687-18
26	06035670	4							NUT, Hex, .687-18
27	04848646	1							BAR, Rear Sway
28	04404219	2							RETAINER, Stabilizer Bar Grommet
29	04643031	2							BUSHING, Stabilizer Bar
30	06036331AA	2							NUT, Hex Slotted
31									KNUCKLE, Rear
	05086712AA	1							Right
	05086713AA	1							Left
32	05086713AA	1							BALL JOINT, Lower Control Arm, Serviced in Control Arm, (NOT SERVICED)
-33	04848173	1							GASKET
-34	52006404	1							SEAL, Ball Joint

VIPER GTS COUPE,VIPER RT/10 ROADSTER (SR)

SERIES	LINE	BODY	ENGINE	TRANSMISSION
S = RT/10	D = DODGE	27 = 2-DR CONVERTIBLE	EWB = Engine - 8.0L V10 SFI	DEC = 6-Speed Manual
S = GTS Coupe		29 = SPECIALTY COUPE	EW0 = All 8.0L Gas	DBB = All Manual
X = GTS/Lemans				

AR = use ase required - = Non illustrated part

Group - 19

Steering

Group - 19 Steering

Group-Fig. No.

Illustration Title

Steering Wheel

Wheel, SteeringFig. 19 - 120

Steering Column

Column Assembly And MountingFig. 19 - 230

Steering Gear

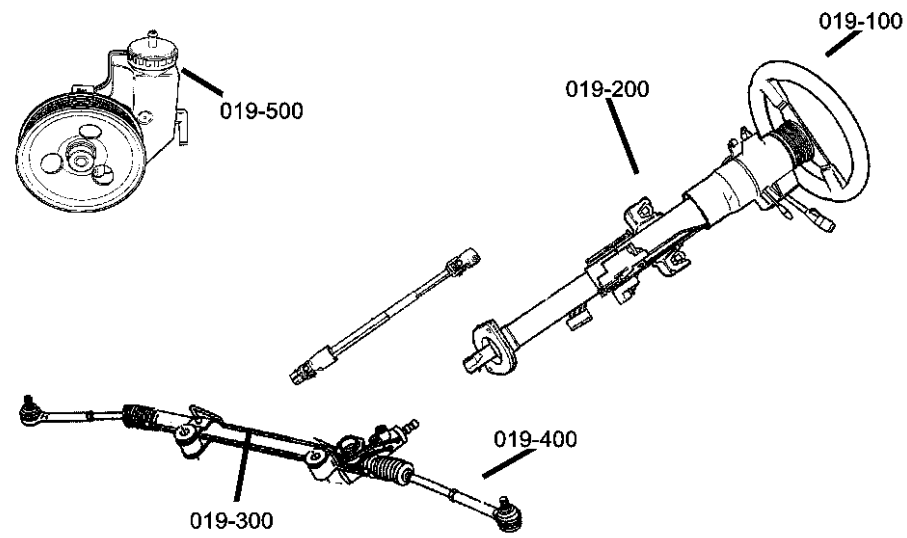
Gear, Rack & Pinion Power And Attaching PartsFig. 19 - 310

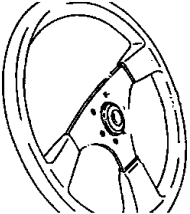
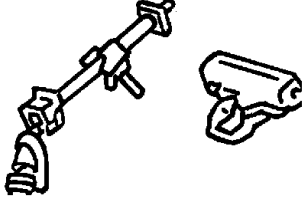
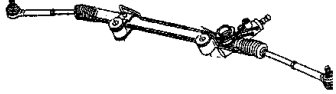

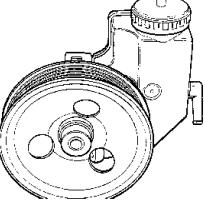
Steering Linkage

Tie Rod EndsFig. 19 - 410

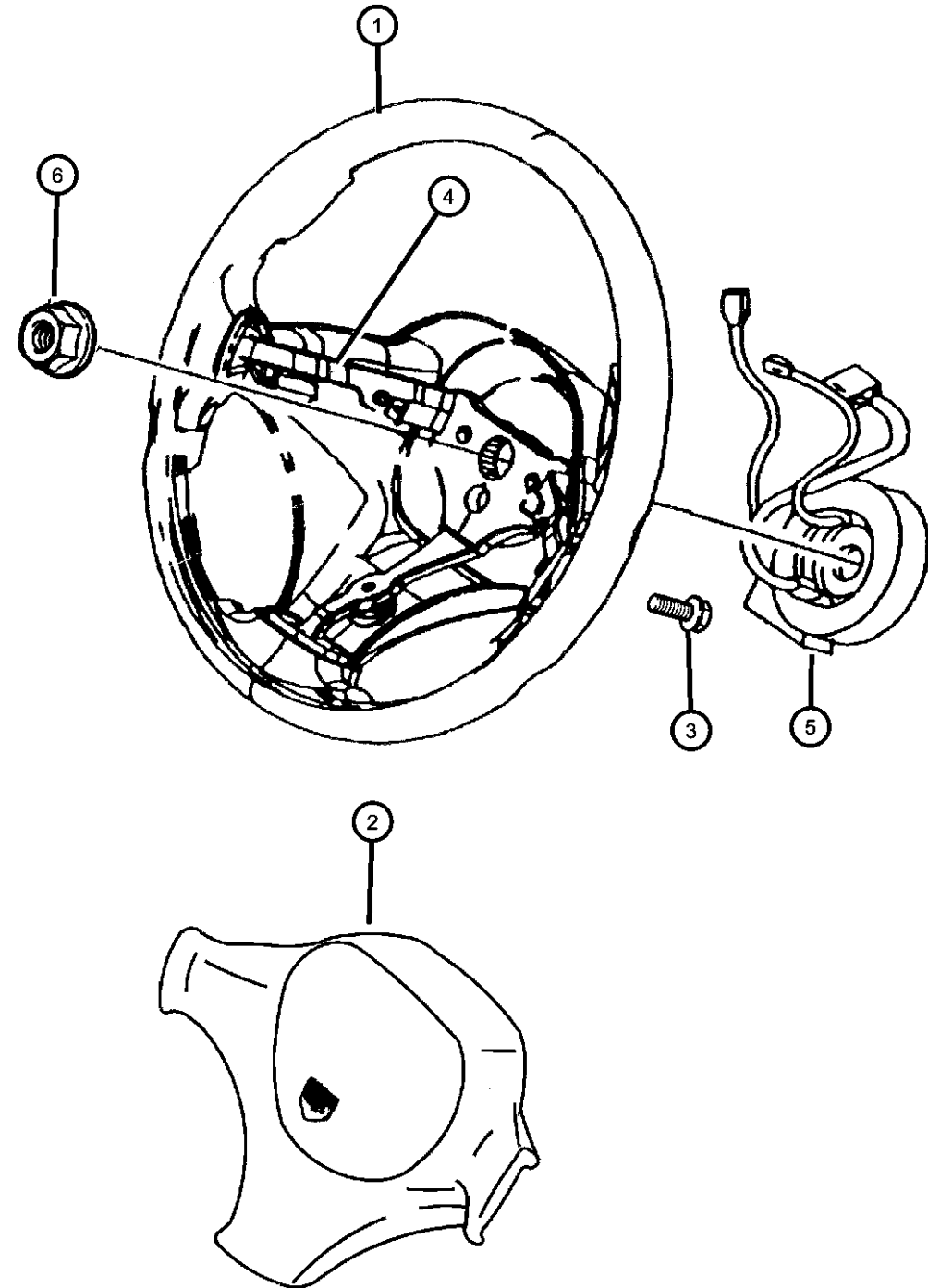
Power Steering Pump

Pump And Hoses, Power SteeringFig. 19 - 510



<p>019-100 Steering Wheel</p> 	<p>019-200 Steering Column</p> 	<p>019-300 Steering Gear</p> 	<p>019-400 Steering Linkage</p> 
<p>019-500 Power Steering Pump</p> 			

Wheel, Steering
Figure 19-120



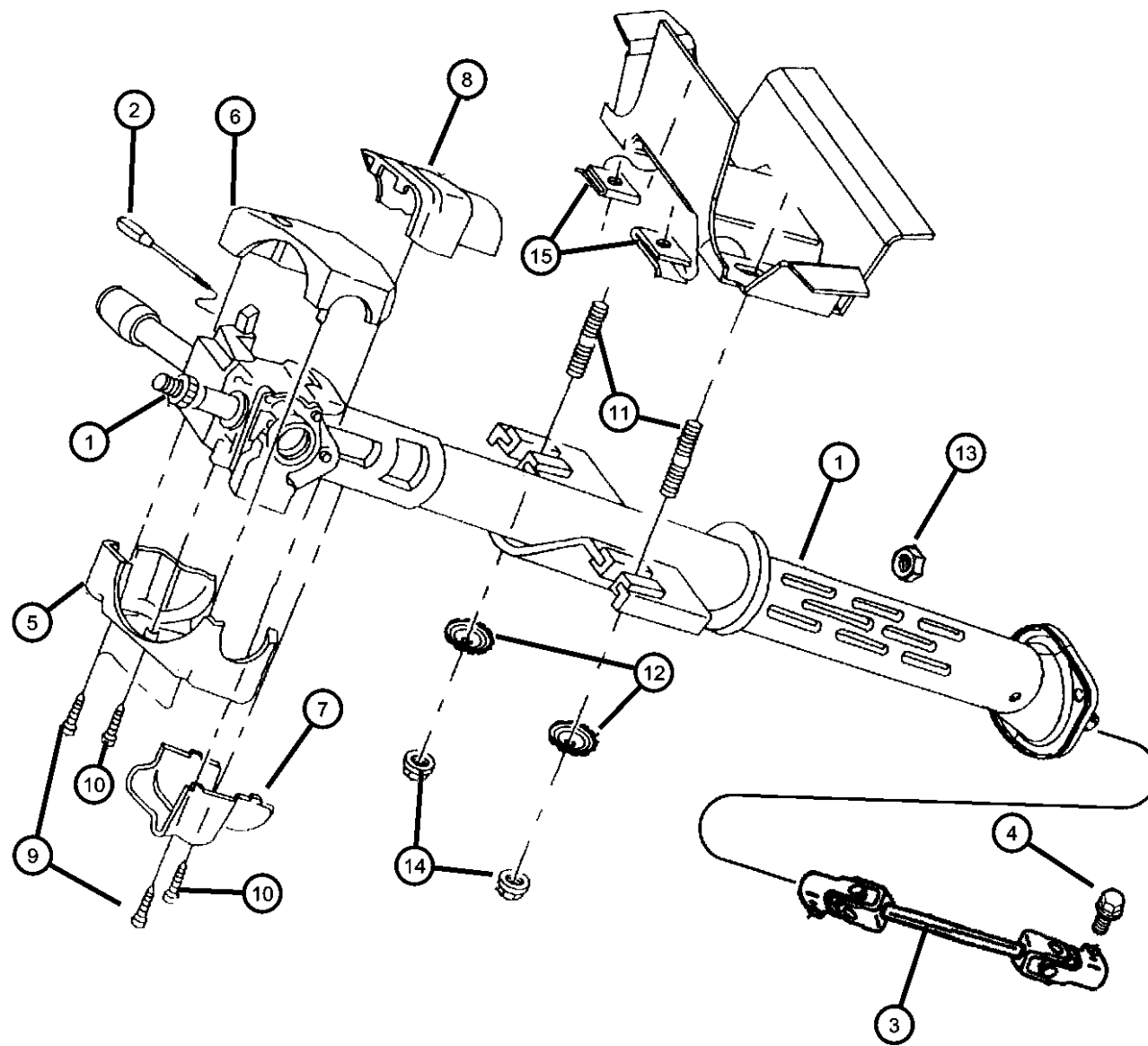
ITEM	PART NUMBER	QTY	LINE	SERIES	BODY	ENGINE	TRANS	TRIM	DESCRIPTION
1	0PB411UC	1							WHEEL, Steering
	0PB41SX9	1							Black
	0PB41SX9	1							Flat Black
2	0LB45JX8AB	1							AIR BAG, Driver
3	06503771	3							SCREW, Hex Flange Head, M6x1x23
4	06503771	3							SWITCH, Horn, (Serviced with Wheel), (NOT SERVICED)
5	04848437	1							CLOCKSPRING
6	06505248AA	1							NUT, Hex Flange Lock

VIPER GTS COUPE,VIPER RT/10 ROADSTER (SR)

SERIES	LINE	BODY	ENGINE	TRANSMISSION
S = RT/10	D = DODGE	27 = 2-DR CONVERTIBLE	EWB = Engine - 8.0L V10 SFI	DEC = 6-Speed Manual
S = GTS Coupe		29 = SPECIALTY COUPE	EW0 = All 8.0L Gas	DBB = All Manual
X = GTS/Lemans				

AR = use ase required - = Non illustrated part

**Column Assembly And Mounting
Figure 19-230**



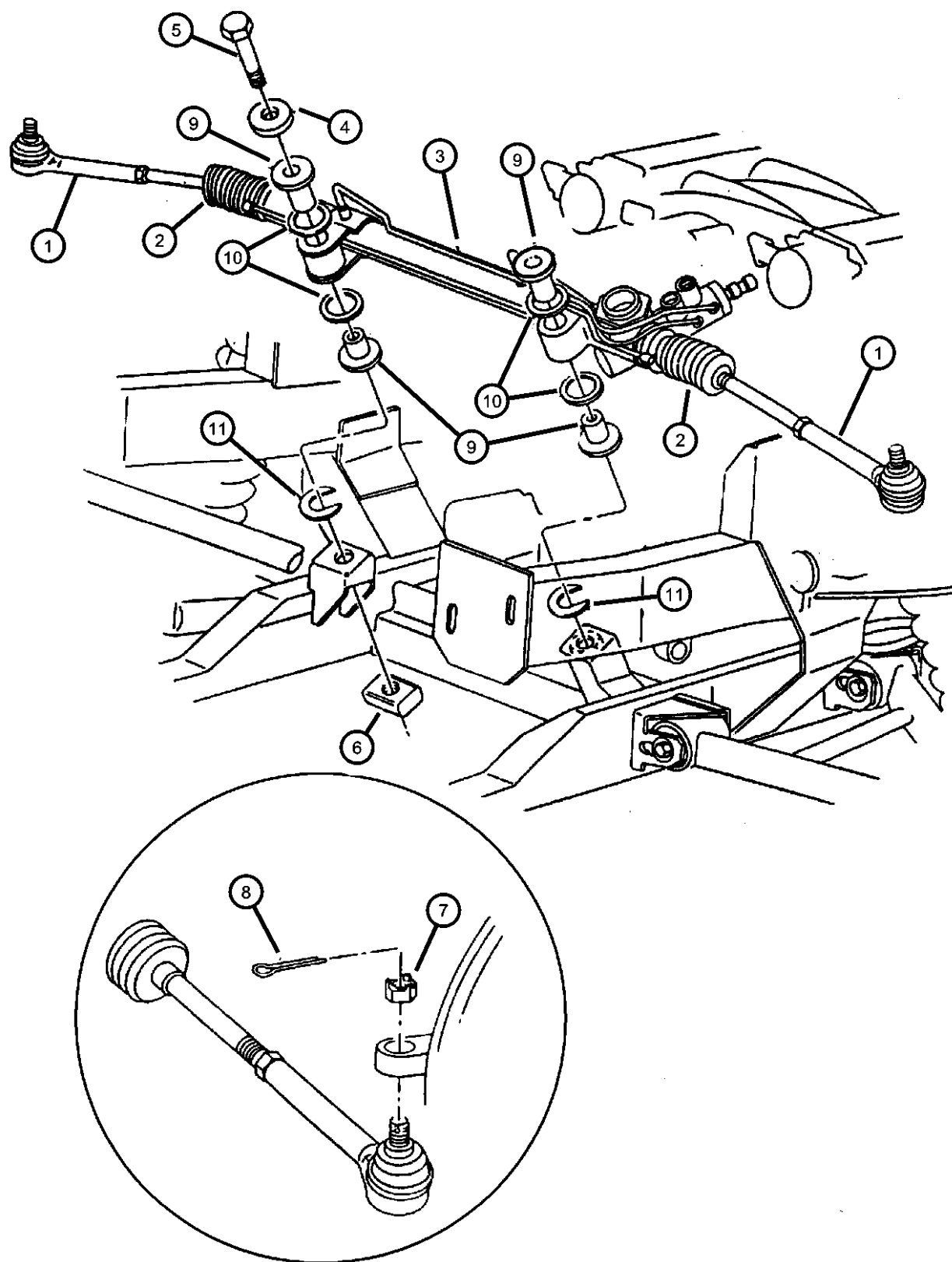
ITEM	PART NUMBER	QTY	LINE	SERIES	BODY	ENGINE	TRANS	TRIM	DESCRIPTION
1	04874334AB	1							COLUMN, Steering, Tilt
2	04470103	1							LEVER, Tilt Column Release
3	04763861AB	1							SHAFT, Steering Column
4	06504926AA	2							SCREW, Hex Flange Head, M10x1.5x40
5	0KJ95JX8AB	1							SHROUD, Steering Column
6	0DH69JX8AC	1							SHROUD, Lock Housing
7	0BA67KX8	1							SHROUD, Steering Column
8	0BA65KX8	1							SHROUD, Steering Column
9	04470105	2							SCREW, Filister Head, #8-16x.25
10	06035142	1							SCREW, .164-32x1.00, [.164-32x1.00]
11	06502390	2							STUD, M6x1.00x43.80
12	06502390	2							WASHER, [.250x1.135x.062], (NOT SERVICED)
13	06100517	2							NUT, Hex Flange Lock, M8 Phosphate
14	06501730	2							NUT, Retainer, M6 x 1.00
15	06101308	2							NUT, U, M6x1
-16	04470605	1							KNOB, TILT LEVER RELEASE
-17	56021346	1							SWITCH, Ignition
-18	06503845	5							SCREW, Ignition Switch

VIPER GTS COUPE,VIPER RT/10 ROADSTER (SR)

SERIES	LINE	BODY	ENGINE	TRANSMISSION
S = RT/10	D = DODGE	27 = 2-DR CONVERTIBLE	EWB = Engine - 8.0L V10 SFI	DEC = 6-Speed Manual
S = GTS Coupe		29 = SPECIALTY COUPE	EW0 = All 8.0L Gas	DBB = All Manual
X = GTS/Lemans				

AR = use ase required - = Non illustrated part

Gear, Rack & Pinion Power And Attaching Parts
Figure 19-310



ITEM	PART NUMBER	QTY	LINE	SERIES	BODY	ENGINE	TRANS	TRIM	DESCRIPTION
1	52037501	1							END, Tie Rod
2	52037502	1							BOOT, Steering Gear
3	04709489	1							GEAR, Power Steering
4	06034710	AR							WASHER, Flat
5	06033181	2		S					BOLT, Hex Head, .625-11x3.75
6	04117796	1							NUT, Pivot Arm
7	06036331AA	2							NUT, Hex Slotted
8	00120123	2							PIN, Cotter
9	04642116	4							ISOLATOR, Steering Gear
10	04708035	2							O RING, Steering Gear
11	04708475	AR							SHIM, Steering Gear, 0.5mm
-12	04708070	AR							SHIM, Steering Gear, 1.0mm
-13	04708068	AR							SHIM, Steering Gear, 1.5mm
-14	04708069	AR							SHIM, Steering Gear, 3.0mm

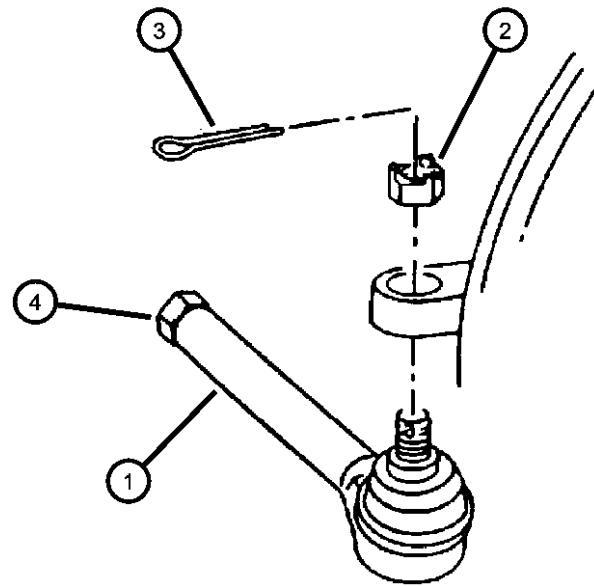
VIPER GTS COUPE,VIPER RT/10 ROADSTER (SR)

SERIES	LINE	BODY	ENGINE	TRANSMISSION
S = RT/10	D = DODGE	27 = 2-DR CONVERTIBLE	EWB = Engine - 8.0L V10 SFI	DEC = 6-Speed Manual
S = GTS Coupe		29 = SPECIALTY COUPE	EW0 = All 8.0L Gas	DBB = All Manual
X = GTS/Lemans				

AR = use ase required - = Non illustrated part

**Tie Rod Ends
Figure 19-410**

ITEM	PART NUMBER	QTY	LINE	SERIES	BODY	ENGINE	TRANS	TRIM	DESCRIPTION
1	52037501	1							END, Tie Rod
2	06036331AA	2							NUT, Hex Slotted
3	00120123	2							PIN, Cotter
4	00120123	2							NUT, Jam (Service in Tie Rod), (NOT SERVICED)



VIPER GTS COUPE,VIPER RT/10 ROADSTER (SR)

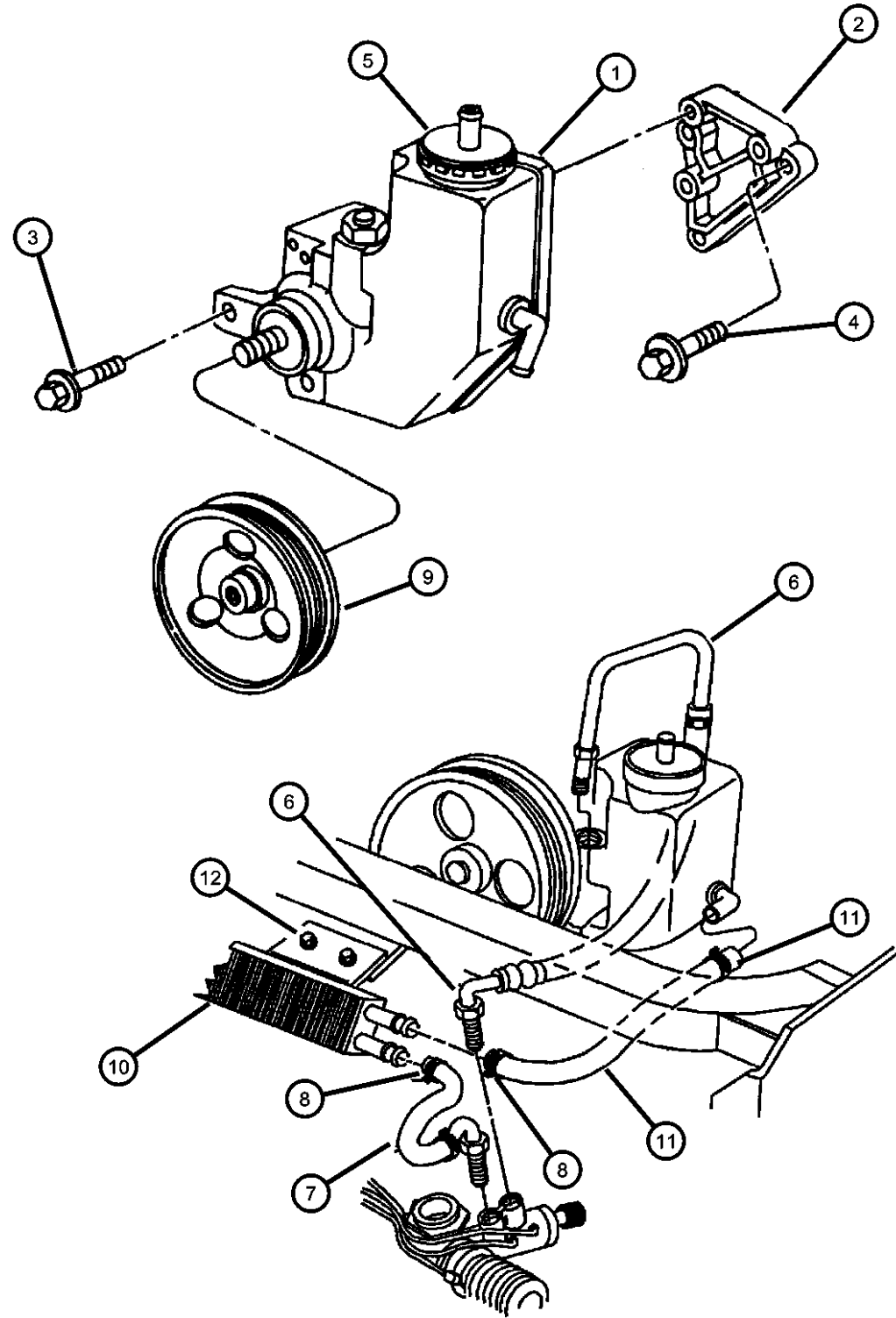
SERIES	LINE	BODY	ENGINE	TRANSMISSION
S = RT/10	D = DODGE	27 = 2-DR CONVERTIBLE	EWB = Engine - 8.0L V10 SFI	DEC = 6-Speed Manual
S = GTS Coupe		29 = SPECIALTY COUPE	EW0 = All 8.0L Gas	DBB = All Manual
X = GTS/Lemans				

AR = use ase required - = Non illustrated part

2001 SR

Pump And Hoses, Power Steering
Figure 19-510

ITEM	PART NUMBER	QTY	LINE	SERIES	BODY	ENGINE	TRANS	TRIM	DESCRIPTION
Note: Sales Code EWB= 8.0L V10 SFI									
1	04642153 04883077	1				EWB			PUMP, Power Steering Mopar Power Steering Fluid Quart
2	05245799	1				EWB			BRACKET, Power Steering Pump
3	06034244	3				EWB			SCREW AND WASHER, Hex Head, .312-18x3.50
4	06035558	3				EWB			SCREW, Hex Flange Head, .375-16x1.50
5	04796473	1				EWB			CAP, Power Steering Reservoir
6	04848104	1							HOSE, Power Steering Pressure
7	04642601	1							HOSE, Power Steering Return
8	02448761	2							CLAMP, Hose
9	53011017	1				EWB			PULLEY, Power Steering Pump
10	04848617	1							COOLER, Power Steering
11	04642601	1							HOSE, Power Steering Return
12	06022202	2							SCREW AND WASHER, Hex Head, .25-20x.625
-13	83503495	1				EWB			RESERVOIR, Power Steering Pump



VIPER GTS COUPE,VIPER RT/10 ROADSTER (SR)

SERIES	LINE	BODY	ENGINE	TRANSMISSION
S = RT/10	D = DODGE	27 = 2-DR CONVERTIBLE	EWB = Engine - 8.0L V10 SFI	DEC = 6-Speed Manual
S = GTS Coupe		29 = SPECIALTY COUPE	EW0 = All 8.0L Gas	DBB = All Manual
X = GTS/Lemans				

AR = use ase required - = Non illustrated part

2001 SR

Group - T56

Manual Transmission 6 Speed

Group - T56 Manual Transmission 6 Speed

Illustration Title

Group-Fig. No.

Transmission

Transmission Assembly Fig. T56 - 110

Case & Extension

Case and Extension..... Fig. T56 - 210

Transmission Mounting

Transmission Mounting Fig. T56 - 310

Gear Train

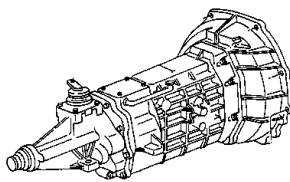
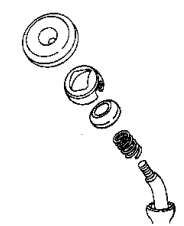
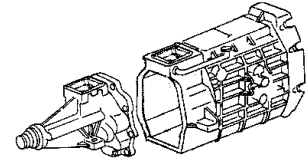
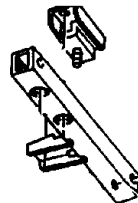
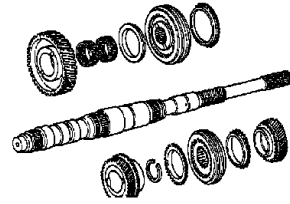
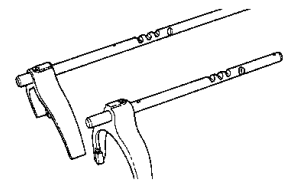
Gear Train Fig. T56 - 410

Forks and Rails

Shift Forks, Rails, Miscellaneous Parts..... Fig. T56 - 910

Gear Shift Controls

Gear Shift Fig. T56 - 1210

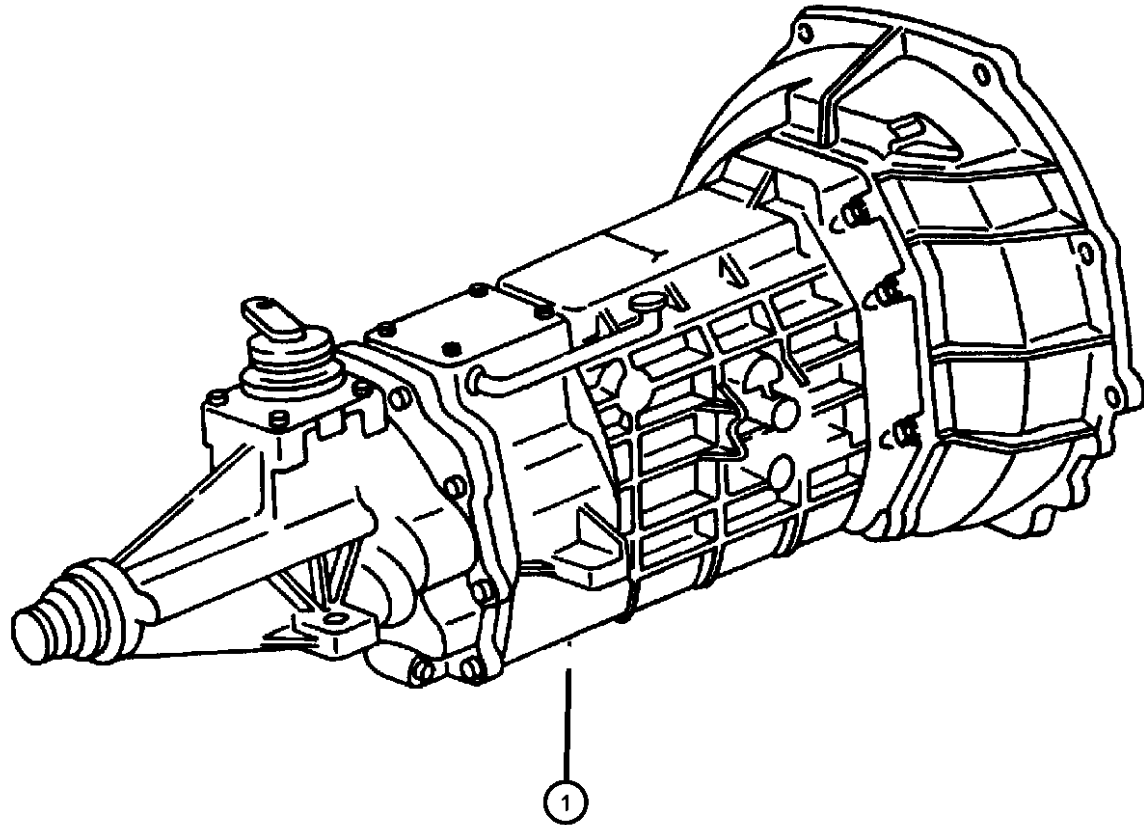
<p>T56-100 Transmission</p> 	<p>T56-1200 Gear Shift Controls</p> 	<p>T56-200 Case & Extension</p> 	<p>T56-300 Transmission Mounting</p> 
<p>T56-400 Gear Train</p> 	<p>T56-900 Forks and Rails</p> 		

**Transmission Assembly
Figure T56-110**

ITEM	PART NUMBER	QTY	LINE	SERIES	BODY	ENGINE	TRANS	TRIM	DESCRIPTION
------	-------------	-----	------	--------	------	--------	-------	------	-------------

SALES CODE: DEC = 6 Spd Manual Trans

1	05018770AA	1					DEC		TRANSMISSION, 6 speed
	04874459								Mopar Manual Transmission Fluid
	04773590								Mopar Automatic Transmission Fluid Quart
	04773591AC								Mopar Automatic Transmission Fluid Gallon



VIPER GTS COUPE,VIPER RT/10 ROADSTER (SR)

SERIES	LINE	BODY	ENGINE	TRANSMISSION
S = RT/10	D = DODGE	27 = 2-DR CONVERTIBLE	EWB = Engine - 8.0L V10 SFI	DEC = 6-Speed Manual
S = GTS Coupe		29 = SPECIALTY COUPE	EW0 = All 8.0L Gas	DBB = All Manual
X = GTS/Lemans				

AR = use ase required - = Non illustrated part

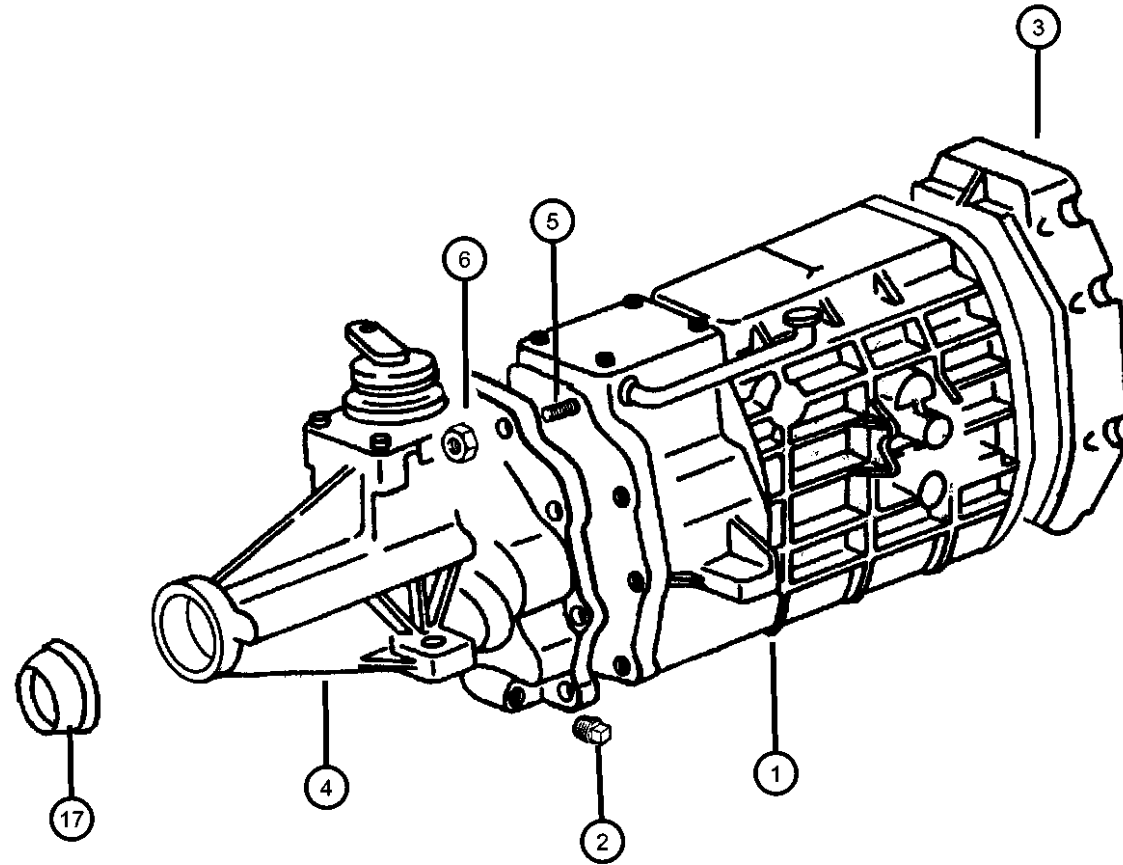
2001 SR

Case and Extension
Figure T56-210

ITEM	PART NUMBER	QTY	LINE	SERIES	BODY	ENGINE	TRANS	TRIM	DESCRIPTION
------	-------------	-----	------	--------	------	--------	-------	------	-------------

SALES CODE: DEC = 6 Spd Manual Trans

1	04626460	1					DEC		CASE, Transmission
2	04626591	1					DEC		PLUG, Oil Fill
3	04626511	1					DEC		ADAPTER, Transmission
4	04886337AA	1					DEC		CASE, Transmission Rear
5	04626461	1					DEC		STUD
6	04626568	1					DEC		NUT, Transmission Case
-7	04626513	1					DEC		DOWEL, Transmission Case
-8	04626514	1					DEC		DOWEL, Transmission Case
-9	04626515	1					DEC		SEAL, Input Shaft
-10	04626520	1					DEC		BOLT, Transmission Case
-11	04626567	1					DEC		MAGNET, Transmission
-12	04626520	1					DEC		BOLT, Transmission Case
-13	04626573	1					DEC		BREATHER, Transmission Case
-14	04626591	1					DEC		PLUG, Oil Fill
-15	04626592	1					DEC		VENT, Transmission Pipe
-16	04626570	1					DEC		CLIP, Vent Tube
17	04531216AB	1					DEC		SEAL, Extension Yoke



VIPER GTS COUPE,VIPER RT/10 ROADSTER (SR)

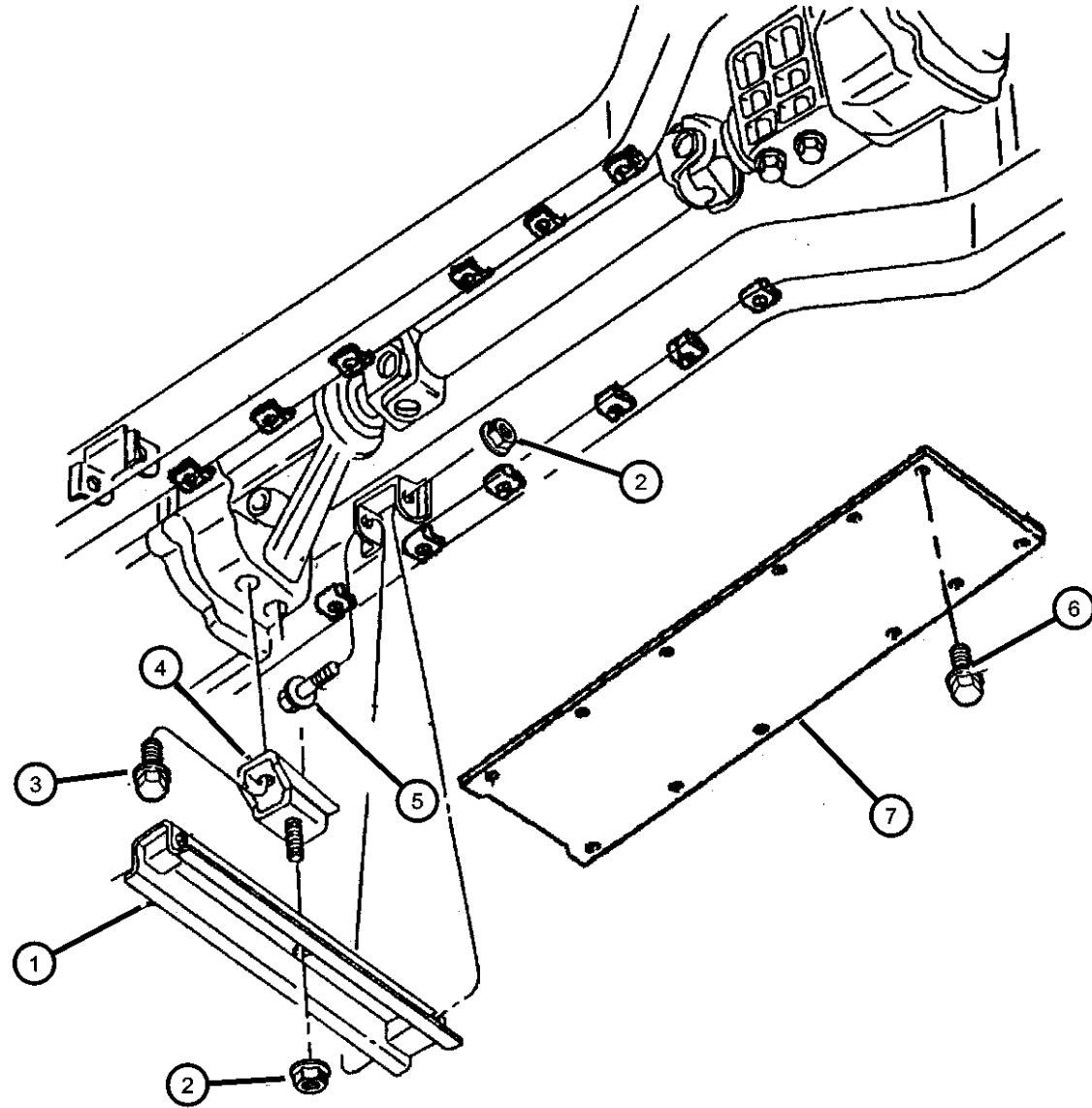
SERIES	LINE	BODY	ENGINE	TRANSMISSION
S = RT/10	D = DODGE	27 = 2-DR CONVERTIBLE	EWB = Engine - 8.0L V10 SFI	DEC = 6-Speed Manual
S = GTS Coupe		29 = SPECIALTY COUPE	EW0 = All 8.0L Gas	DBB = All Manual
X = GTS/Lemans				

AR = use ase required - = Non illustrated part

2001 SR

**Transmission Mounting
Figure T56-310**

ITEM	PART NUMBER	QTY	LINE	SERIES	BODY	ENGINE	TRANS	TRIM	DESCRIPTION
1	04763813	1							CROSSMEMBER, Transmission
2	06502696	3							NUT, Hex Flange Lock, M10x1.5
3	06501596	2							SCREW AND WASHER, Hex Head, M10x1.5x45
4	04643318	1							MOUNT, Transmission
5	06101707	2							BOLT, M10x1.50x75
6	06503571	3							SCREW AND WASHER, M10x1.50x35
7	04642876	1							PLATE, Floor Console

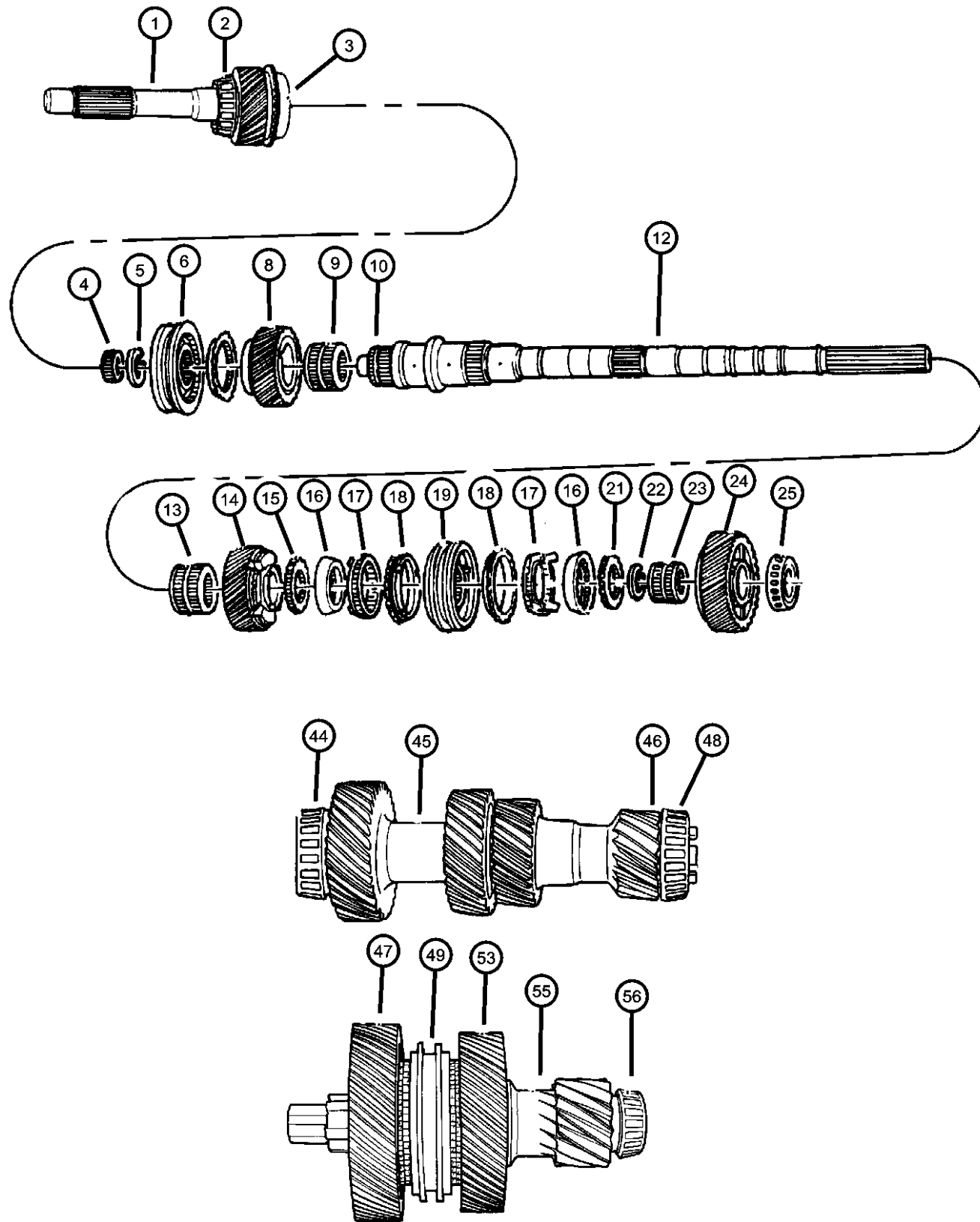


VIPER GTS COUPE,VIPER RT/10 ROADSTER (SR)

SERIES	LINE	BODY	ENGINE	TRANSMISSION
S = RT/10	D = DODGE	27 = 2-DR CONVERTIBLE	EWB = Engine - 8.0L V10 SFI	DEC = 6-Speed Manual
S = GTS Coupe		29 = SPECIALTY COUPE	EW0 = All 8.0L Gas	DBB = All Manual
X = GTS/Lemans				

AR = use ase required - = Non illustrated part

**Gear Train
Figure T56-410**



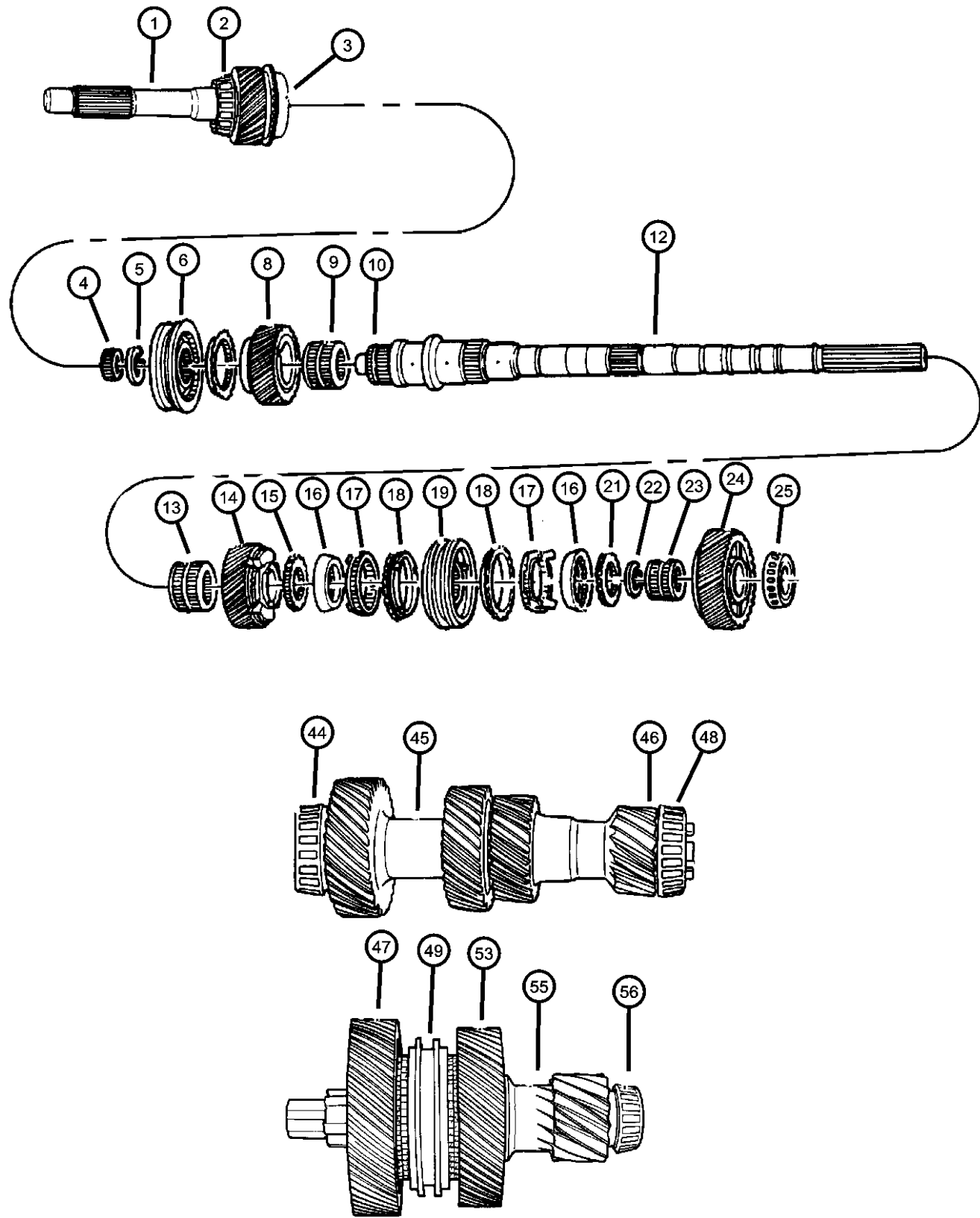
ITEM	PART NUMBER	QTY	LINE	SERIES	BODY	ENGINE	TRANS	TRIM	DESCRIPTION
SALES CODE: DEC = 6 Spd Manual Trans									
1	04626574	1					DEC		INPUT SHAFT PACKAGE, Transaxle, w/Bearing
2	04626737	1					DEC		BEARING PACKAGE, Input Shaft
3	04626476	1					DEC		STOP RING, Synchronizer, 3rd and 4th
4	04626736	1					DEC		BEARING PACKAGE, Mainshaft, Front
5	04626487	1					DEC		SNAP RING
6	04626474	1					DEC		STRUT, Synchronizer
-7	04626475	1					DEC		SPRING, 3rd And 4th Synchronizer
8	04626471	1					DEC		GEAR, Third
9	04626469	1					DEC		NEEDLE BEARING, Third Gear
10	04626549	1					DEC		BEARING CONE, Idler Gear, Reverse
-11	04626470	1					DEC		SPACER, Third Gear
12	04626467	1					DEC		MAINSHAFT, Transmission
13	04626469	1					DEC		NEEDLE BEARING, Third Gear, 2nd Speed Needle
14	04626478	1					DEC		GEAR, Second
15	04626564	1					DEC		SNAP RING, Mainshaft
16	04626484	1					DEC		FRICITION CONE, Second Gear Inner
17	04626485	1					DEC		FRICITION CONE, Second Gear Inner
18	04626483	1					DEC		RING, 1st and 2nd Speed Blocker
19	04626481	1					DEC		KEY, Synchronizer
-20	04626482	1					DEC		SPRING, Synchronizer
21	04626536	1					DEC		SNAP RING
22	04626487	1					DEC		SNAP RING
23	04626488	1					DEC		NEEDLE BEARING, First Gear, 1st Speed Needle
24	04626489	1					DEC		GEAR, First
25	04626734	1					DEC		BEARING PACKAGE, Mainshaft, Rear
-26	04626486	1					DEC		THRUST WASHER, First And Second Gear
-27	04626552	1					DEC		GEAR, Fifth, 5th - 6th Speed
-28	04626474	1					DEC		STRUT, Synchronizer
-29	04626534	1					DEC		SPRING, Synchronizer
-30	04626554	1					DEC		RETAINER, Reverse Syncro

VIPER GTS COUPE,VIPER RT/10 ROADSTER (SR)

SERIES	LINE	BODY	ENGINE	TRANSMISSION
S = RT/10	D = DODGE	27 = 2-DR CONVERTIBLE	EWB = Engine - 8.0L V10 SFI	DEC = 6-Speed Manual
S = GTS Coupe		29 = SPECIALTY COUPE	EW0 = All 8.0L Gas	DBB = All Manual
X = GTS/Lemans				

AR = use ase required - = Non illustrated part

**Gear Train
Figure T56-410**



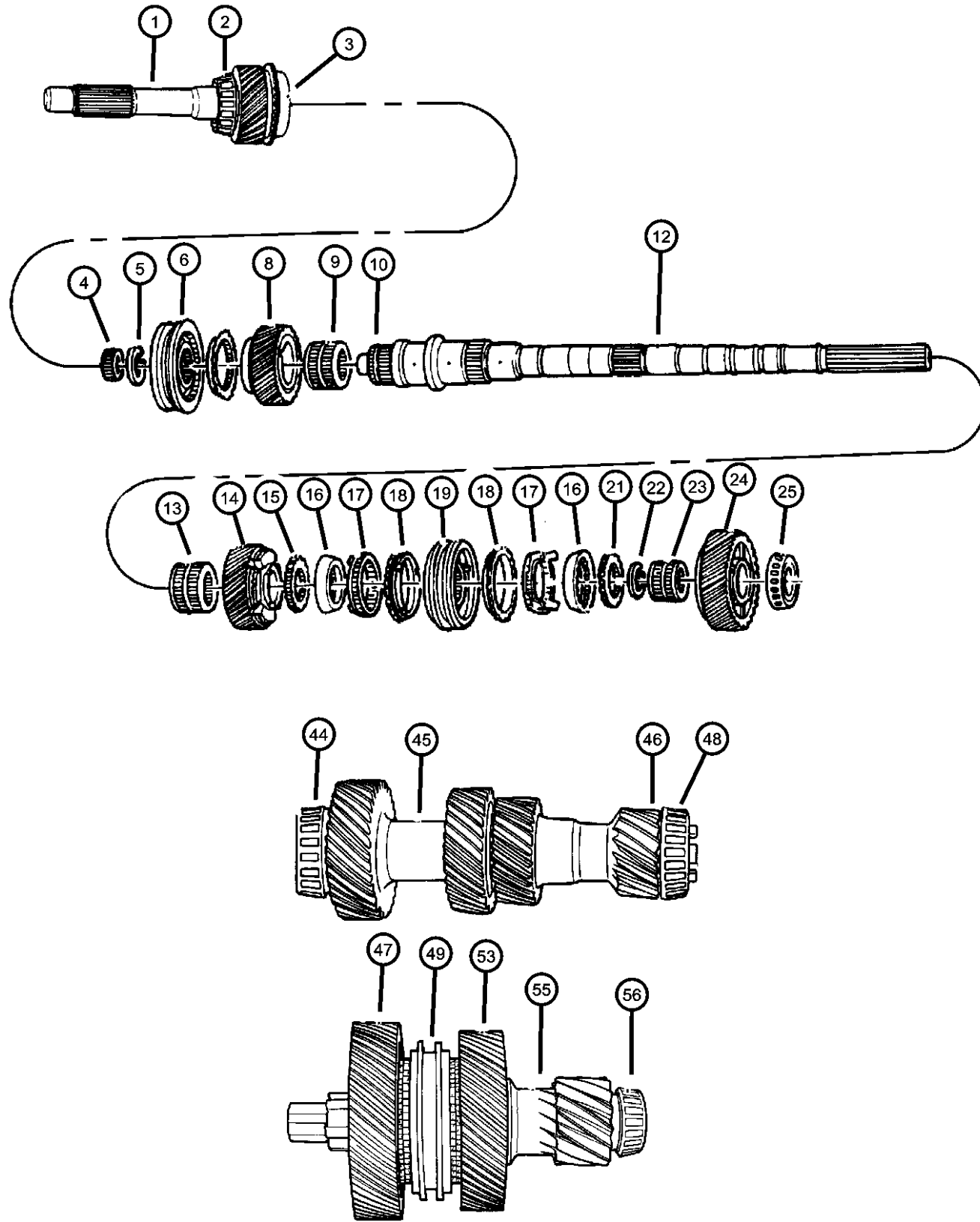
ITEM	PART NUMBER	QTY	LINE	SERIES	BODY	ENGINE	TRANS	TRIM	DESCRIPTION
-31	04626555	1					DEC		WASHER, Reverse Thrust
-32	04626556	1					DEC		WASHER, Reverse Wave
-33	04626557	1					DEC		RING, Reverse Blocker
-34	04626536	1					DEC		SNAP RING
-35	04626558	1					DEC		NEEDLE BEARING, Reverse Gear
-36	04626559	1					DEC		GEAR, Reverse
-37	04626560	1					DEC		WASHER, Reverse Thrust
-38	04626562	1					DEC		WASHER, Mainshaft
-39	04626563	1					DEC		NEEDLE BEARING, Mainshaft Rear
-40	04626564	1					DEC		SNAP RING, Mainshaft, Bearing Race
-41	04626536	1					DEC		SNAP RING, Mainshaft Rear
-42	04626565	1					DEC		SNAP RING, Speedo, Yoke
-43	04626566	1					DEC		ROTOR, Speedometer
44	04626735	1					DEC		BEARING PACKAGE, Countershaft, Front
45	04626464	1					DEC		GEAR, Cluster
46	04626733	1					DEC		BEARING PACKAGE, Countershaft, Rear
47	04626539	1					DEC		GEAR, Sixth
48	04626538	1					DEC		BEARING, Sixth Gear
49	04626474	1					DEC		STRUT, Synchronizer
-50	04626482	1					DEC		SPRING, Synchronizer
-51	04626476	1					DEC		STOP RING, Synchronizer
-52	04626536	1					DEC		SNAP RING
53	04626531	1					DEC		GEAR, Countershaft Fifth
-54	04626530	1					DEC		NEEDLE BEARING, Fifth Gear
55	04626529	1					DEC		GEAR, Countershaft
56	04626736	1					DEC		BEARING PACKAGE, Mainshaft, Countershaft Extension
-57	04626537	1					DEC		SPACER, Sixth Gear
-58	04626541	1					DEC		THRUST WASHER, Sixth Gear
-59	04626545	1					DEC		FUNNEL, Counter Shaft, Extension
-60	04626547	1					DEC		IDLER SHAFT, Transmission, Reverse
-61	04626548	1					DEC		GEAR, Reverse Idler
-62	04626550	1					DEC		WASHER, Reverse Idler

VIPER GTS COUPE,VIPER RT/10 ROADSTER (SR)

SERIES	LINE	BODY	ENGINE	TRANSMISSION
S = RT/10	D = DODGE	27 = 2-DR CONVERTIBLE	EWB = Engine - 8.0L V10 SFI	DEC = 6-Speed Manual
S = GTS Coupe		29 = SPECIALTY COUPE	EW0 = All 8.0L Gas	DBB = All Manual
X = GTS/Lemans				

AR = use ase required - = Non illustrated part

**Gear Train
Figure T56-410**



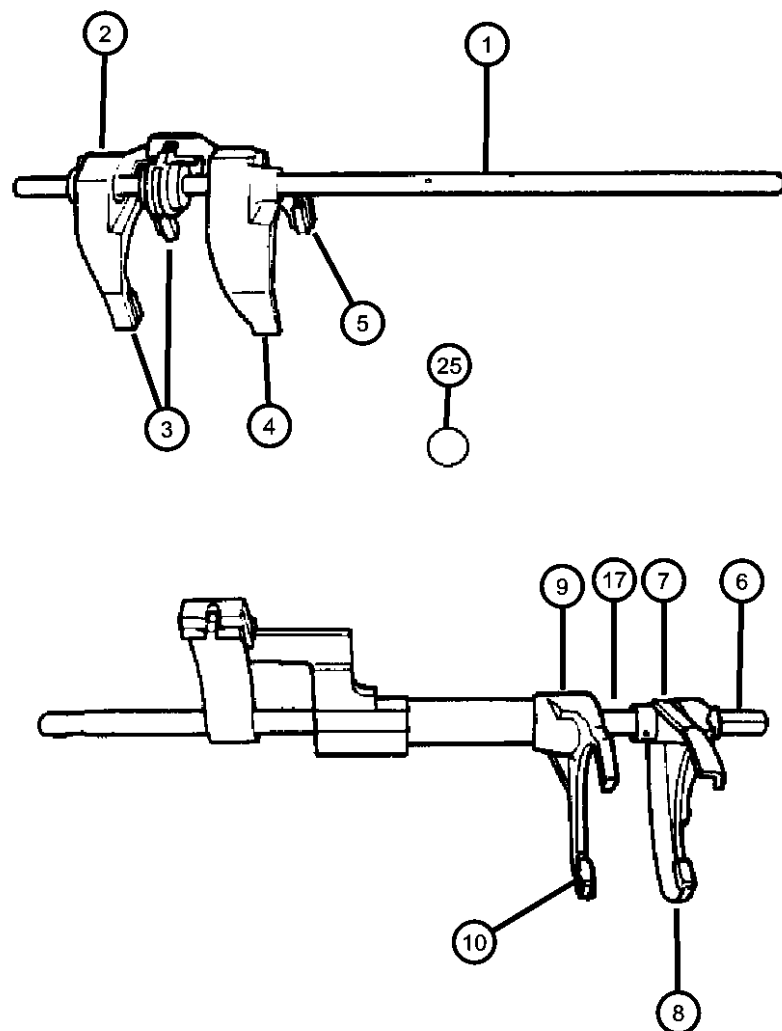
ITEM	PART NUMBER	QTY	LINE	SERIES	BODY	ENGINE	TRANS	TRIM	DESCRIPTION
-63	04626527	1					DEC		BOLT
-64	04626551	1					DEC		BRACKET, Reverse Idler Shaft

VIPER GTS COUPE,VIPER RT/10 ROADSTER (SR)

SERIES	LINE	BODY	ENGINE	TRANSMISSION
S = RT/10	D = DODGE	27 = 2-DR CONVERTIBLE	EWB = Engine - 8.0L V10 SFI	DEC = 6-Speed Manual
S = GTS Coupe		29 = SPECIALTY COUPE	EW0 = All 8.0L Gas	DBB = All Manual
X = GTS/Lemans				

AR = use ase required - = Non illustrated part

**Shift Forks, Rails, Miscellaneous Parts
Figure T56-910**



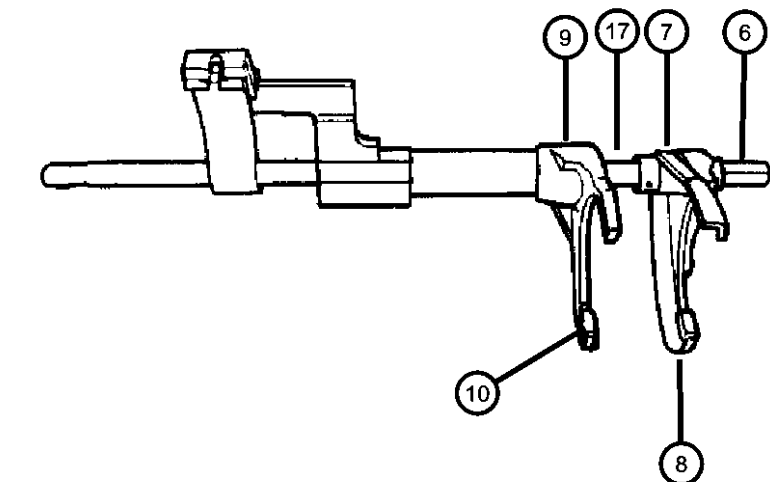
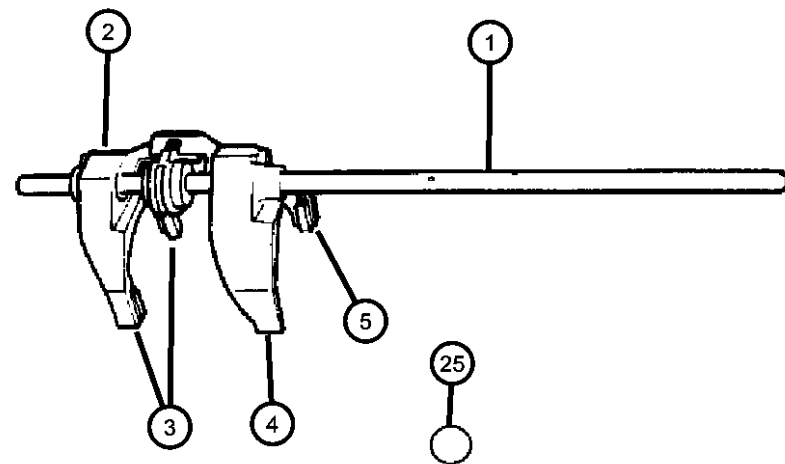
ITEM	PART NUMBER	QTY	LINE	SERIES	BODY	ENGINE	TRANS	TRIM	DESCRIPTION
SALES CODES; DEC = 6 Spd Manual Trans									
1	04626498	1					DEC		RAIL, Top
2	04626499	1					DEC		FORK, Third and Fourth
3	04626502	1					DEC		PAD, Shift Fork, 3rd-4th Fork
4	04626505	1					DEC		FORK, First and Second
5	04626502	1					DEC		PAD, Shift Fork, 1st - 2nd Fork
6	04626492	1					DEC		RAIL, Reverse Shift
7	04626553	1					DEC		FORK, Transmission, Reverse
8	04626496	1					DEC		PAD, Shift Fork, Reverse
9	04626540	1					DEC		FORK, Fifth Shift
10	04626496	1					DEC		PAD, Shift Fork, 5th-6th Fork
-11	04626493	1					DEC		PIN, Roll, Reverse Collar
-12	04626494	1					DEC		COLLAR, Reverse Shift
-13	04626495	1					DEC		LEVER, Fifth and Sixth
-14	04626497	1					DEC		LEVER, Reverse
-15	04626493	1					DEC		PIN, Roll, Reverse Lever
-16	04626503	1					DEC		PLATE, Shift, 1st-2nd and 3rd-4th Shift
17	04626506	1					DEC		ARM, Gearshift Selector
-18	04626493	1					DEC		PIN, Roll, Selector Arm
-19	04626507	1					DEC		PLATE, Transmission Module, Interlock
-20	04626508	1					DEC		BOLT, Shift Lever Guide
-21	04626512	1					DEC		BUSHING, Shift Rail
-22	04626521	1					DEC		PLATE, Transmission Shifter
-23	04761999	1					DEC		LEVER, Offset, Front
-24	04626523	1					DEC		SPRING, Detent Offset
25	04626526	1					DEC		BALL, Check
-26	04626527	1					DEC		BOLT, Guide Plate
-27	04626528	1					DEC		LEVER, First and Fourth
-28	04626493	1					DEC		PIN, Roll, Skip Shift
-29	04626493	1					DEC		PIN, Roll, Front Offset Lever
-30	04626542	1					DEC		SNAP RING, Shift Fork, 5th-6th Shift Fork
-31	04626512	1					DEC		BUSHING, Shift Rail
-32	04626561	1					DEC		SNAP RING, Shift Fork, Reverse
-33	04626569	1					DEC		PLATE, Transmission Shifter

VIPER GTS COUPE,VIPER RT/10 ROADSTER (SR)

SERIES	LINE	BODY	ENGINE	TRANSMISSION
S = RT/10	D = DODGE	27 = 2-DR CONVERTIBLE	EWB = Engine - 8.0L V10 SFI	DEC = 6-Speed Manual
S = GTS Coupe		29 = SPECIALTY COUPE	EW0 = All 8.0L Gas	DBB = All Manual
X = GTS/Lemans				

AR = use ase required - = Non illustrated part

**Shift Forks, Rails, Miscellaneous Parts
Figure T56-910**



ITEM	PART NUMBER	QTY	LINE	SERIES	BODY	ENGINE	TRANS	TRIM	DESCRIPTION
-34	04626571	1					DEC		BOLT, Shifter Cover
-35	04626577	1					DEC		HOUSING, Shift
-36	04626578	1					DEC		O RING, Shift Detent Housing, Transmission
-37	04626571	1					DEC		BOLT, Shifter Cover
-38	04626579	1					DEC		LEVER, Offset
-39	04626493	1					DEC		PIN, Roll
-40	04626586	1					DEC		SNAP RING, Reverse Inhibitor
-41	04626587	1					DEC		O RING, Reverse Inhibitor, Manual Transmission
-42	04626588	1					DEC		LEVER, Gearshift
-43	04626578	1					DEC		O RING, Shift Detent Housing, Transmission

VIPER GTS COUPE,VIPER RT/10 ROADSTER (SR)

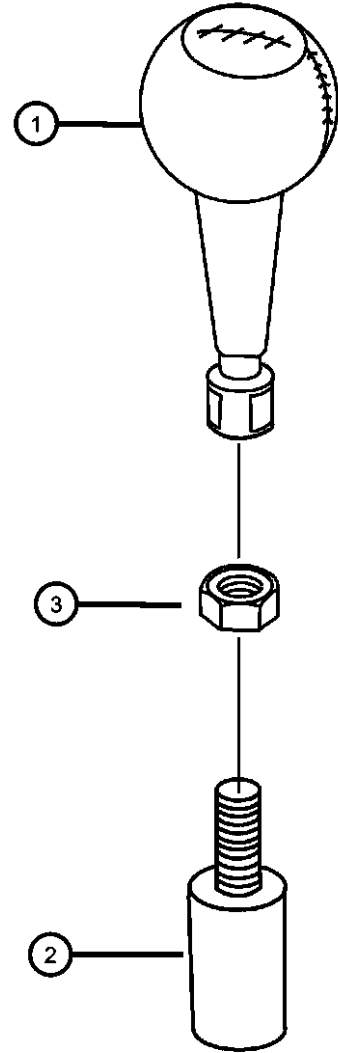
SERIES	LINE	BODY	ENGINE	TRANSMISSION
S = RT/10	D = DODGE	27 = 2-DR CONVERTIBLE	EWB = Engine - 8.0L V10 SFI	DEC = 6-Speed Manual
S = GTS Coupe		29 = SPECIALTY COUPE	EW0 = All 8.0L Gas	DBB = All Manual
X = GTS/Lemans				

AR = use ase required - = Non illustrated part

2001 SR

**Gear Shift
Figure T56-1210**

ITEM	PART NUMBER	QTY	LINE	SERIES	BODY	ENGINE	TRANS	TRIM	DESCRIPTION
1	0SG081X9AA	1							KNOB, Gearshift Flat Black (X9)
	0SG08WU- CAA	1							Cognac (XU)
2	00124934	1							NUT, Hex Jam, .50-20
3	04709410	1							ISOLATOR, Shift Lever



VIPER GTS COUPE,VIPER RT/10 ROADSTER (SR)

SERIES	LINE	BODY	ENGINE	TRANSMISSION
S = RT/10	D = DODGE	27 = 2-DR CONVERTIBLE	EWB = Engine - 8.0L V10 SFI	DEC = 6-Speed Manual
S = GTS Coupe		29 = SPECIALTY COUPE	EW0 = All 8.0L Gas	DBB = All Manual
X = GTS/Lemans				

AR = use ase required - = Non illustrated part

Group - 22

Wheels, Covers and Jacks

Group - 22 Wheels, Covers and Jacks

Illustration Title

Group-Fig. No.

Wheels and Hardware

Wheels And Hardware Fig. 22 - 110

Wheel Covers and Center Caps

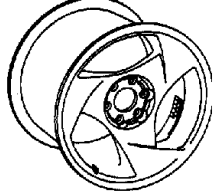

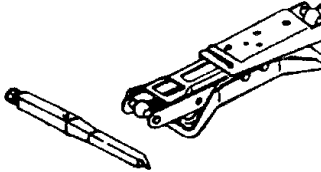
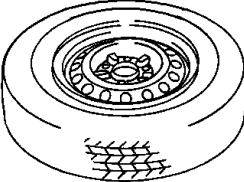
Caps, Wheel Fig. 22 - 210

Jack Stowage

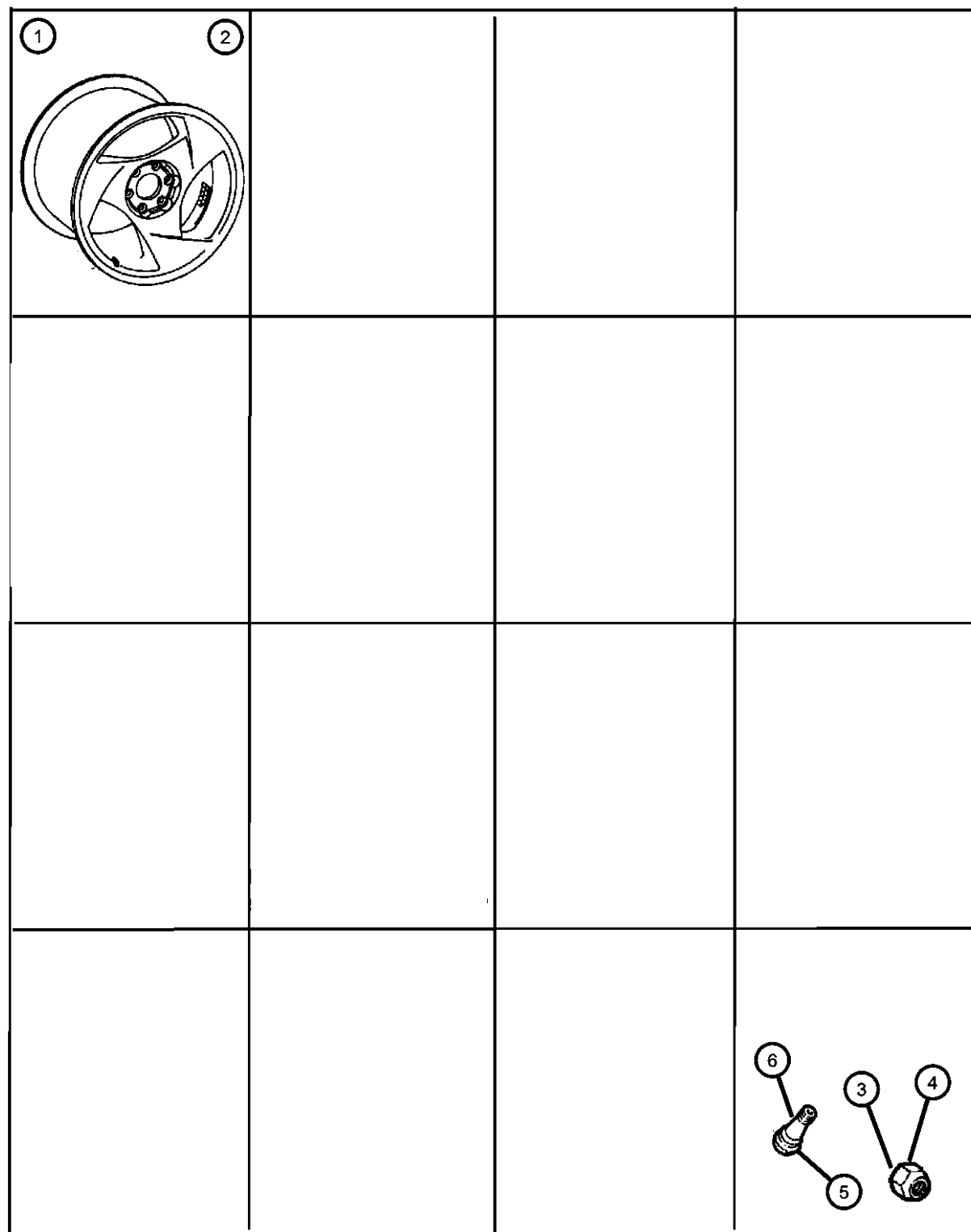
Jack Stowage Fig. 22 - 310

Spare Tire Stowage

Wheel, Spare Fig. 22 - 410

<p>022-100 Wheels and Hardware</p> 	<p>022-200 Wheel Covers and Center Caps</p> 	<p>022-300 Jack Stowage</p> 	<p>022-400 Spare Tire Stowage</p> 
---	--	---	--

Wheels And Hardware
Figure 22-110




ITEM	PART NUMBER	QTY	LINE	SERIES	BODY	ENGINE	TRANS	TRIM	DESCRIPTION
1	0RR36SZ2AA	1							WHEEL, Steel [WPD], Front
	0RR37SZ2AA	1							[WPD], Rear
2	0SM08WD2AA	1							WHEEL, Aluminum Front
	0SM09WD2AA	1							Rear
3	00152349	4							NUT, Hex, .50-20
4	06036310AA	24							NUT, Wheel, .50x20, Chrome
5	02073355	1							STEM, Wheel Valve
6	05245193	1							VALVE, Shrader

VIPER GTS COUPE,VIPER RT/10 ROADSTER (SR)

SERIES	LINE	BODY	ENGINE	TRANSMISSION
S = RT/10	D = DODGE	27 = 2-DR CONVERTIBLE	EWB = Engine - 8.0L V10 SFI	DEC = 6-Speed Manual
S = GTS Coupe		29 = SPECIALTY COUPE	EW0 = All 8.0L Gas	DBB = All Manual
X = GTS/Lemans				

AR = use ase required - = Non illustrated part

**Caps, Wheel
Figure 22-210**

①			
			

ITEM	PART NUMBER	QTY	LINE	SERIES	BODY	ENGINE	TRANS	TRIM	DESCRIPTION
------	-------------	-----	------	--------	------	--------	-------	------	-------------

NOTE: Sales Codes:
 [WPD] = 18" ALUMINUM - POLISHED
 [WPE] = 18" ALUMINUM - PAINTED

1									
	0RR38SZ2AA	4							
	0SM12DX9AA	4							

CAP, Wheel Center
 [WPD]
 [WPE]

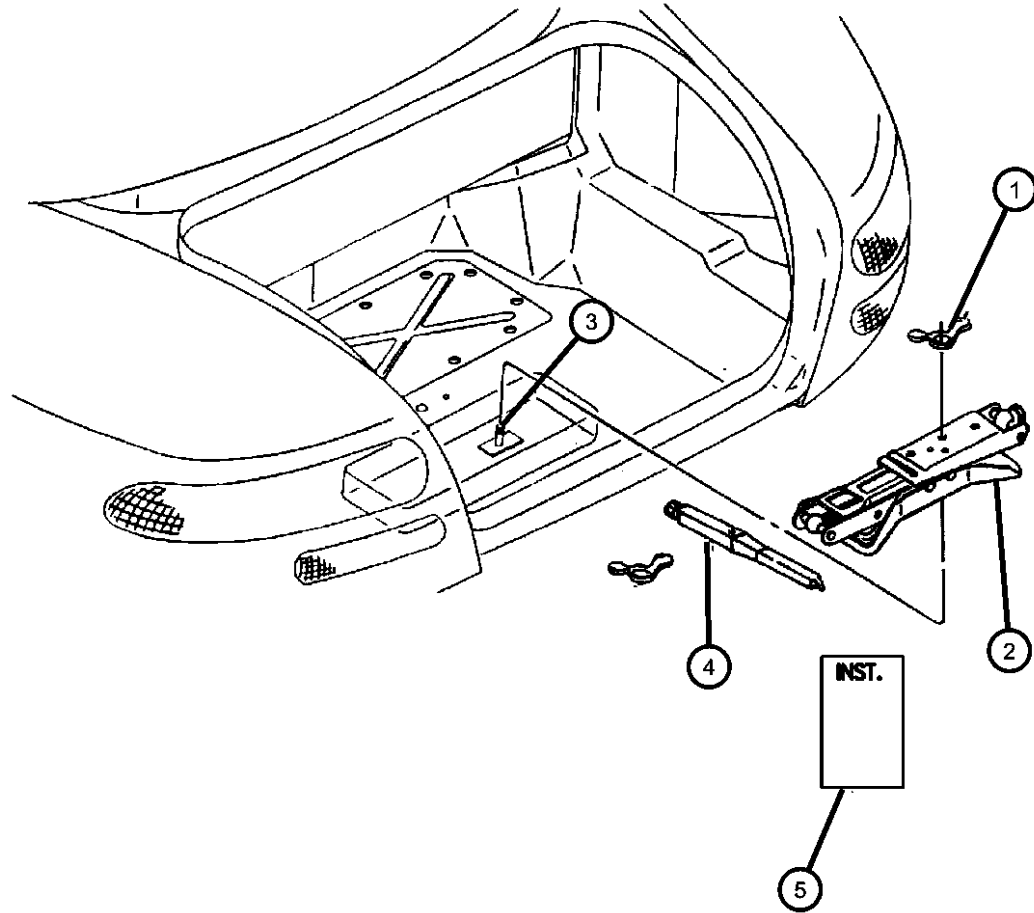
VIPER GTS COUPE,VIPER RT/10 ROADSTER (SR)

SERIES	LINE	BODY	ENGINE	TRANSMISSION
S = RT/10	D = DODGE	27 = 2-DR CONVERTIBLE	EWB = Engine - 8.0L V10 SFI	DEC = 6-Speed Manual
S = GTS Coupe		29 = SPECIALTY COUPE	EW0 = All 8.0L Gas	DBB = All Manual
X = GTS/Lemans				

AR = use ase required - = Non illustrated part

**Jack Stowage
Figure 22-310**

ITEM	PART NUMBER	QTY	LINE	SERIES	BODY	ENGINE	TRANS	TRIM	DESCRIPTION
1	06032619	1							WINGNUT, Jack and Tire Hold Down
2	05008275AA	1							JACK
3	06033599	1							BOLT, .375-16x3.75
4	04854307AA	1							HANDLE, Jack
5	04708087	1							LABEL, Tire Storage
-6	05256549	1							BAG, Jack Tool Storage



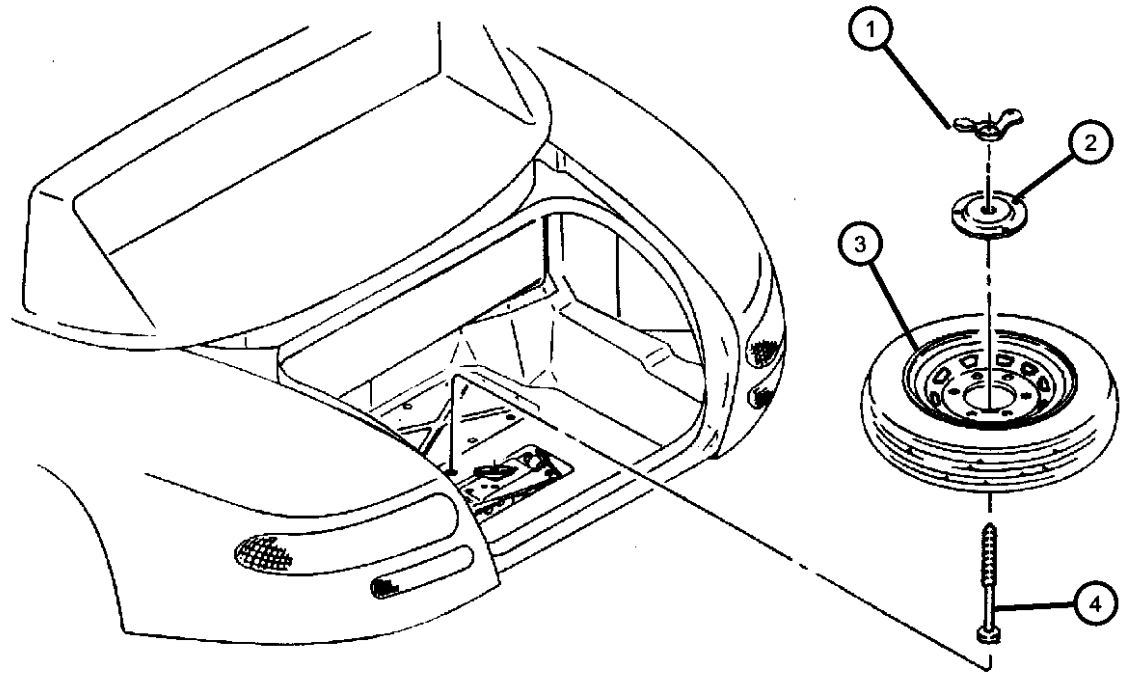
VIPER GTS COUPE,VIPER RT/10 ROADSTER (SR)

SERIES	LINE	BODY	ENGINE	TRANSMISSION
S = RT/10	D = DODGE	27 = 2-DR CONVERTIBLE	EWB = Engine - 8.0L V10 SFI	DEC = 6-Speed Manual
S = GTS Coupe		29 = SPECIALTY COUPE	EW0 = All 8.0L Gas	DBB = All Manual
X = GTS/Lemans				

AR = use ase required - = Non illustrated part

Wheel, Spare
Figure 22-410

ITEM	PART NUMBER	QTY	LINE	SERIES	BODY	ENGINE	TRANS	TRIM	DESCRIPTION
1	06032619	1							WINGNUT, Jack and Tire Hold Down
2	04708210	1							RETAINER, Spare Tire
3	04643212	1							WHEEL, Spare
4	06033599	1							BOLT, .375-16x3.75
-5	0LB98SX9AB	1				29			COVER, Spare Tire



VIPER GTS COUPE,VIPER RT/10 ROADSTER (SR)

SERIES	LINE	BODY	ENGINE	TRANSMISSION
S = RT/10	D = DODGE	27 = 2-DR CONVERTIBLE	EWB = Engine - 8.0L V10 SFI	DEC = 6-Speed Manual
S = GTS Coupe		29 = SPECIALTY COUPE	EW0 = All 8.0L Gas	DBB = All Manual
X = GTS/Lemans				

AR = use ase required - = Non illustrated part

Group - 23D

Wiper/Lock Cylinder and Keys

Group - 23D Wiper/Lock Cylinder and Keys

Group-Fig. No.

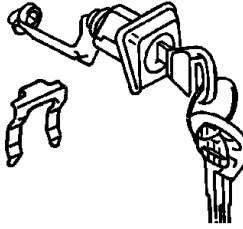
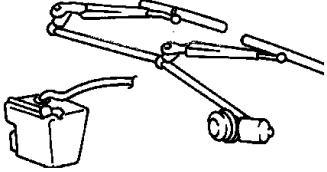
Illustration Title

Lock Cylinders and Keys

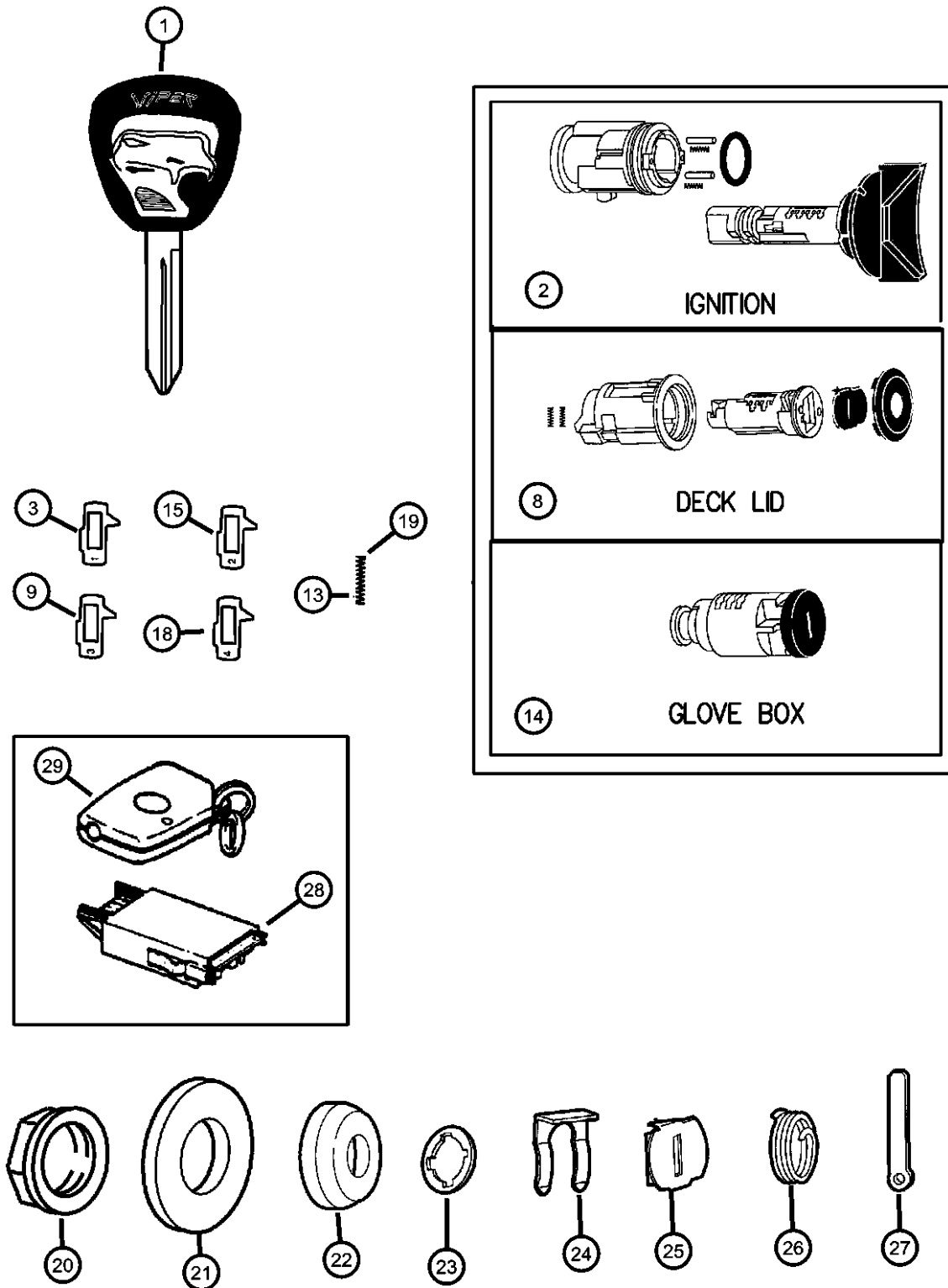
Lock Cylinders and KeysFig. 23D - 105

Windshield Wiper and Washer Systems

Windshield Wiper and WasherFig. 23D - 205

<p>23D-100 Lock Cylinders and Keys</p> 	<p>23D-200 Windshield Wiper and Washer Systems</p> 		
--	---	--	--

Lock Cylinders and Keys
Figure 23D-105



NOTE: All Lock Cylinders are Uncoded

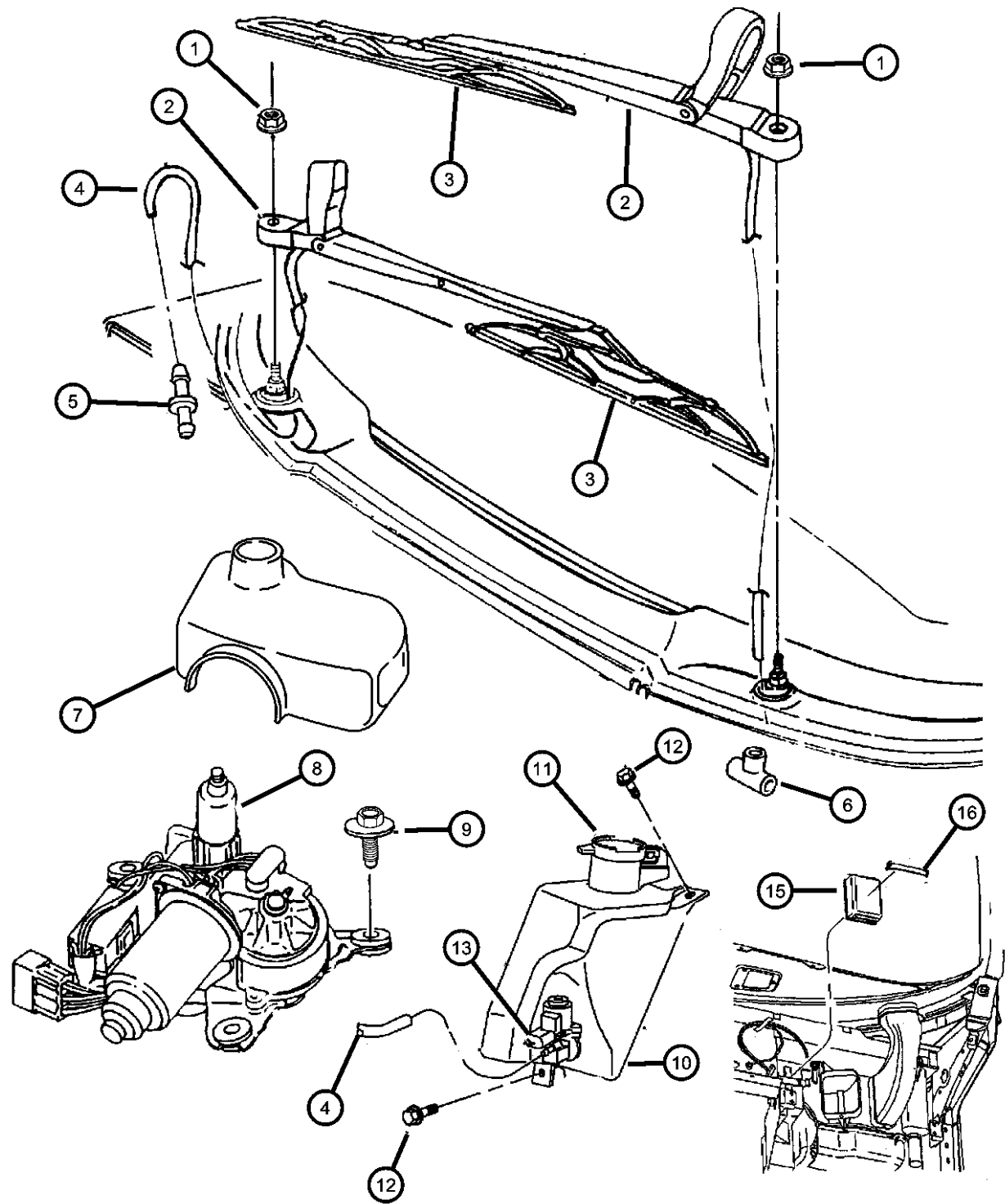
ITEM	PART NUMBER	QTY	LINE	SERIES	BODY	ENGINE	TRANS	TRIM	DESCRIPTION
1	04883828AA	2							KEY, Ignition
2	05003845AA	1							CYLINDER, Ignition Lock
3	05010879AA	1							TUMBLER, Ignition Number 1, Sidebar
-4	05010880AA	1							TUMBLER, Ignition Number 2, Sidebar
-5	05010881AA	1							TUMBLER, Ignition Number 3, Sidebar
-6	05010882AA	1							TUMBLER, Ignition Number 4, Sidebar
-7	05010883AA	1							SPRING, Ignition Tumbler, Sidebar
8	04778147	1							CYLINDER, Deck Lid Lock
9	04778117	1							TUMBLER, Door and Deck Number 1, Wide
-10	04778118	1							TUMBLER, Door and Deck Number 2, Wide
-11	04778119	1							TUMBLER, Door and Deck Number 3, Wide
-12	04778120	1							TUMBLER, Door and Deck Number 4, Wide
13	04778121	1							SPRING, Door and Deck Tumbler
14	04746903	1							CYLINDER, Glove Box Lock
15	05257132	1							TUMBLER, Ignition Number 1, Glove Box Only Not Ignition
-16	05257133	1							TUMBLER, Ignition Number 2
-17	05257134	1							TUMBLER, Ignition Number 3
18	05257135	1							TUMBLER, Ignition Number 4, Glove Box Only Not Ignition
19	04746873	1							SPRING, Lock Cylinder Tumbler, Glove Box
20	04054202	1							NUT, Cylinder Lock
21	04848692	1				29			GASKET, Key Cylinder Isolator
22	05257163	1							CAP, Lock Cylinder
23	03695321	1							GASKET, Lock Cylinder
24	02583377	1							RETAINER, Door Lock Cylinder
25	04778151	1							SHUTTER, Door, Deck Lid, Black
26	05257245	1							SPRING, Deck Lid Return
27	04723494	1							LEVER, Deck Lid Lock Cylinder
28	04848832AF	1							MODULE, Keyless Entry Receiver
29	04865431AA	2							TRANSMITTER, Keyless Entry
-30	04848290	1							STRAP, Module Mounting

VIPER GTS COUPE, VIPER RT/10 ROADSTER (SR)

SERIES	LINE	BODY	ENGINE	TRANSMISSION
S = RT/10	D = DODGE	27 = 2-DR CONVERTIBLE	EWB = Engine - 8.0L V10 SFI	DEC = 6-Speed Manual
S = GTS Coupe		29 = SPECIALTY COUPE	EW0 = All 8.0L Gas	DBB = All Manual
X = GTS/Lemans				

AR = use ase required - = Non illustrated part

**Windshield Wiper and Washer
Figure 23D-205**



ITEM	PART NUMBER	QTY	LINE	SERIES	BODY	ENGINE	TRANS	TRIM	DESCRIPTION
1	06101445	2							NUT AND WASHER, Hex Nut-Coned Washer, M8 x 1.25Wiper Arm Retaining ARM, Wiper
2	04848830	1							Right
	04848831	1							Left
3	04642532	1							BLADE, Wiper
	WBW00016AD								Mopar Alternative Winter Wiper Blades
	WB000016AE								Mopar V-Line Alternative Part
4	HWV00532	1							HOSE, Washer And Vacuum, 50 Foot Roll 5/32"
5	04805010	1							CHECK VALVE, Washer
6	04643877	1							CONNECTOR, Washer Hose, In Line
7	04708009	2							SEAL, Wiper Motor
8									MOTOR, Wiper
	04643065	1							Right
	04708171	1							Left
9	06102141AA	6							SCREW, M6x1x25, Wiper Motor Mounting
10	04874876	1							RESERVOIR, Washer
11	04797694	1							CAP, Washer Reservoir
12	00181063	2							SCREW AND WASHER, .25-20x.75, Reservoir attaching
13	04864634	1							PUMP, Washer, Windshield
-14	05013755AA	1							GROMMET, Washer Reservoir
15	04848291	1							SWITCH, Windshield Wiper
16	04848290	1							STRAP, Module Mounting

VIPER GTS COUPE,VIPER RT/10 ROADSTER (SR)

SERIES	LINE	BODY	ENGINE	TRANSMISSION
S = RT/10	D = DODGE	27 = 2-DR CONVERTIBLE	EWB = Engine - 8.0L V10 SFI	DEC = 6-Speed Manual
S = GTS Coupe		29 = SPECIALTY COUPE	EW0 = All 8.0L Gas	DBB = All Manual
X = GTS/Lemans				

AR = use ase required - = Non illustrated part

Group - 24

Air Conditioning & Heater

Group - 24 Air Conditioning & Heater

Illustration Title

Group-Fig. No.

Air Conditioner and Heater Units

Blower Motor Fig. 24 - 110
 Hevac Unit Fig. 24 - 120

Air Conditioner and Heater Plumbing

Heater Plumbing Fig. 24 - 210
 Plumbing, A/C Fig. 24 - 220

Air Conditioner and Heater Controls

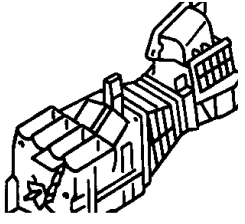
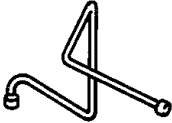
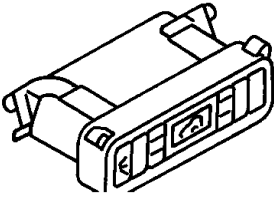
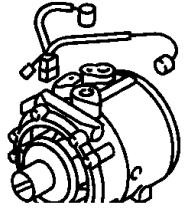
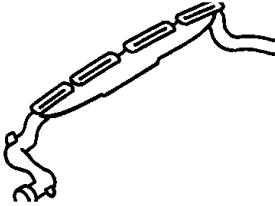
Control Assembly Fig. 24 - 310

Air Conditioning Compressor

Compressor, A/C Fig. 24 - 410

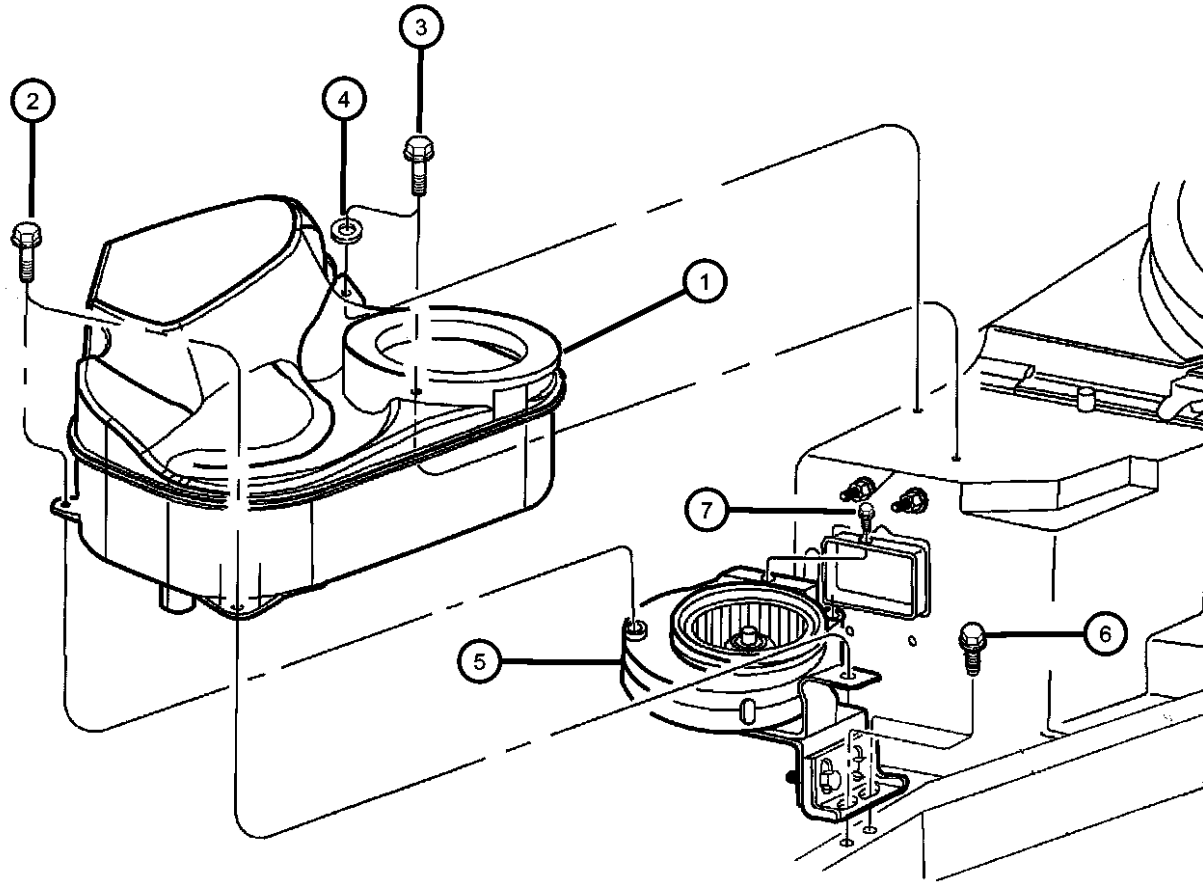
Air Ducts and Outlets

Vents And Outlets Fig. 24 - 610

024-100 Air Conditioner and Heater Units 	024-200 Air Conditioner and Heater Plumbing 	024-300 Air Conditioner and Heater Controls 	024-400 Air Conditioning Compressor 
024-600 Air Ducts and Outlets 			

**Blower Motor
Figure 24-110**

ITEM	PART NUMBER	QTY	LINE	SERIES	BODY	ENGINE	TRANS	TRIM	DESCRIPTION
1	04763858AC	1							PLENUM, Blower Motor Inlet
2	06101455	2							SCREW AND WASHER, Hex Head, M6x1x20
3	06101455	2							SCREW, .190-16x1.00, (NOT SERVICED)
4	06101455	2							WASHER, ID.211 OD.749 THK.071, (NOT SERVICED)
5	04848021	1							BLOWER
6	04848021	1							SCREW, Hex Flange Head, M6x1.00x20.00, M6x1.00x20.00, (NOT SERVICED)
7	06032723	1							SCREW, Self Tapping, M4.2x1.69x19.05
-8	04874453	1							RESISTOR, Blower Motor



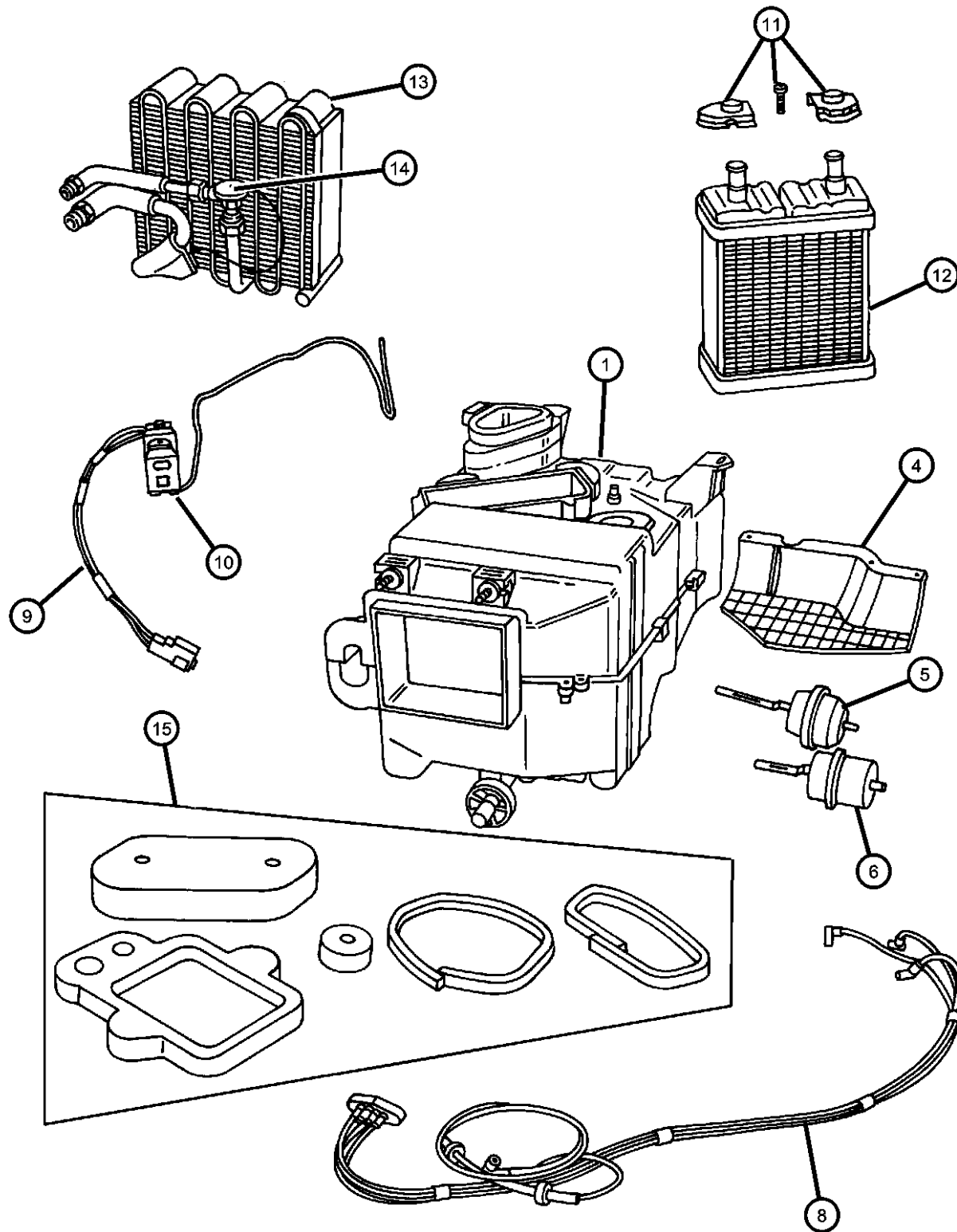
VIPER GTS COUPE,VIPER RT/10 ROADSTER (SR)

SERIES	LINE	BODY	ENGINE	TRANSMISSION
S = RT/10	D = DODGE	27 = 2-DR CONVERTIBLE	EWB = Engine - 8.0L V10 SFI	DEC = 6-Speed Manual
S = GTS Coupe		29 = SPECIALTY COUPE	EW0 = All 8.0L Gas	DBB = All Manual
X = GTS/Lemans				

AR = use ase required - = Non illustrated part

2001 SR

Hevac Unit
Figure 24-120



ITEM	PART NUMBER	QTY	LINE	SERIES	BODY	ENGINE	TRANS	TRIM	DESCRIPTION
1	04874423AB	1							HOUSING, A/C And Heater
-2	04763972AB	1							DUCT, A/C And Heater
-3	04874425	6							CLIP, Spring
4	04874422	1							COVER, Heater
5	04874375	1							ACTUATOR, Heater Door
6	04874376	1							ACTUATOR, Fresh Air Door
-7	04848515	1							ACTUATOR, Recirculation Door
8	04886471AA	1							HARNES, A/C And Heater Vacuum
9	04708364	1							WIRING, Heater and A/C
10	04708205	1							THERMOSTAT, Air Conditioning
11	04874421	1							BRACKET, Heater Core
12	04874374	1							CORE, Heater
13	04708196AB	1							EVAPORATOR, Air Conditioning
14	04709102	1							VALVE, A/C Expansion
15	04874424	1							SEAL KIT, A/C And Heater Unit

VIPER GTS COUPE,VIPER RT/10 ROADSTER (SR)

SERIES	LINE	BODY	ENGINE	TRANSMISSION
S = RT/10	D = DODGE	27 = 2-DR CONVERTIBLE	EWB = Engine - 8.0L V10 SFI	DEC = 6-Speed Manual
S = GTS Coupe		29 = SPECIALTY COUPE	EW0 = All 8.0L Gas	DBB = All Manual
X = GTS/Lemans				

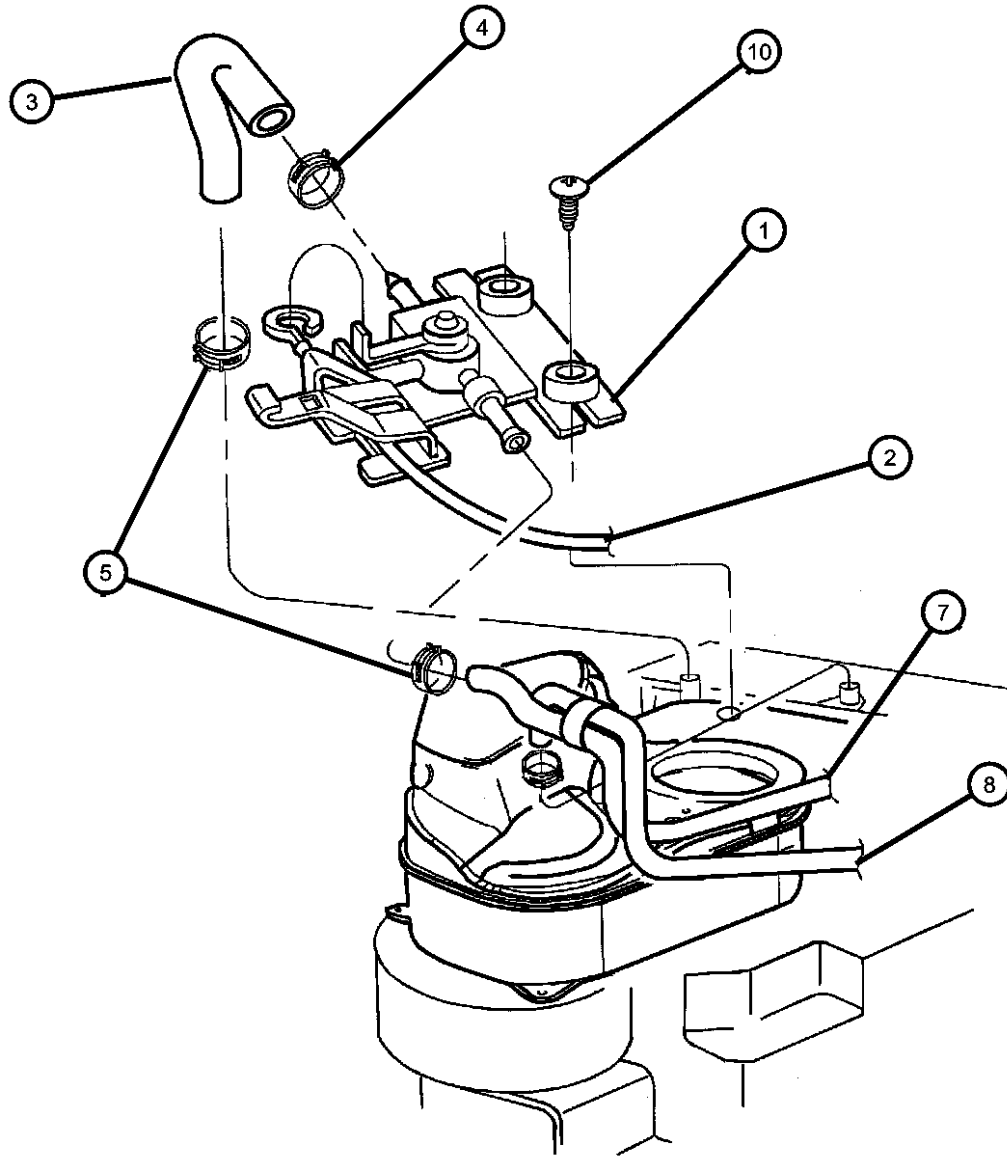
AR = use ase required - = Non illustrated part

Heater Plumbing
Figure 24-210

ITEM	PART NUMBER	QTY	LINE	SERIES	BODY	ENGINE	TRANS	TRIM	DESCRIPTION
------	-------------	-----	------	--------	------	--------	-------	------	-------------

NOTE: Sales Codes:
[EWB] = 8.0L V10 SFI

1	04642554	1							VALVE, Water Control
2	04643381	1							CABLE, A/C And Heater Control
3	04642555	1							HOSE, Water Valve To Heater Core
4	06505604AA	2							CLAMP
5	06502017	2							CLAMP, Heater Hose
-6	06100047	1							NUT AND WASHER, Hex Nut-Coned Washer, M6 x 1.00
7	04763975AC	1				EWB			HOSE, Heater Core To Engine
8	04763974AD	1				EWB			HOSE, Engine to Water Valve
-9	05245458AC	1				EWB			TUBE, Heater
10	06035728	2							SCREW, .190-16x1.00



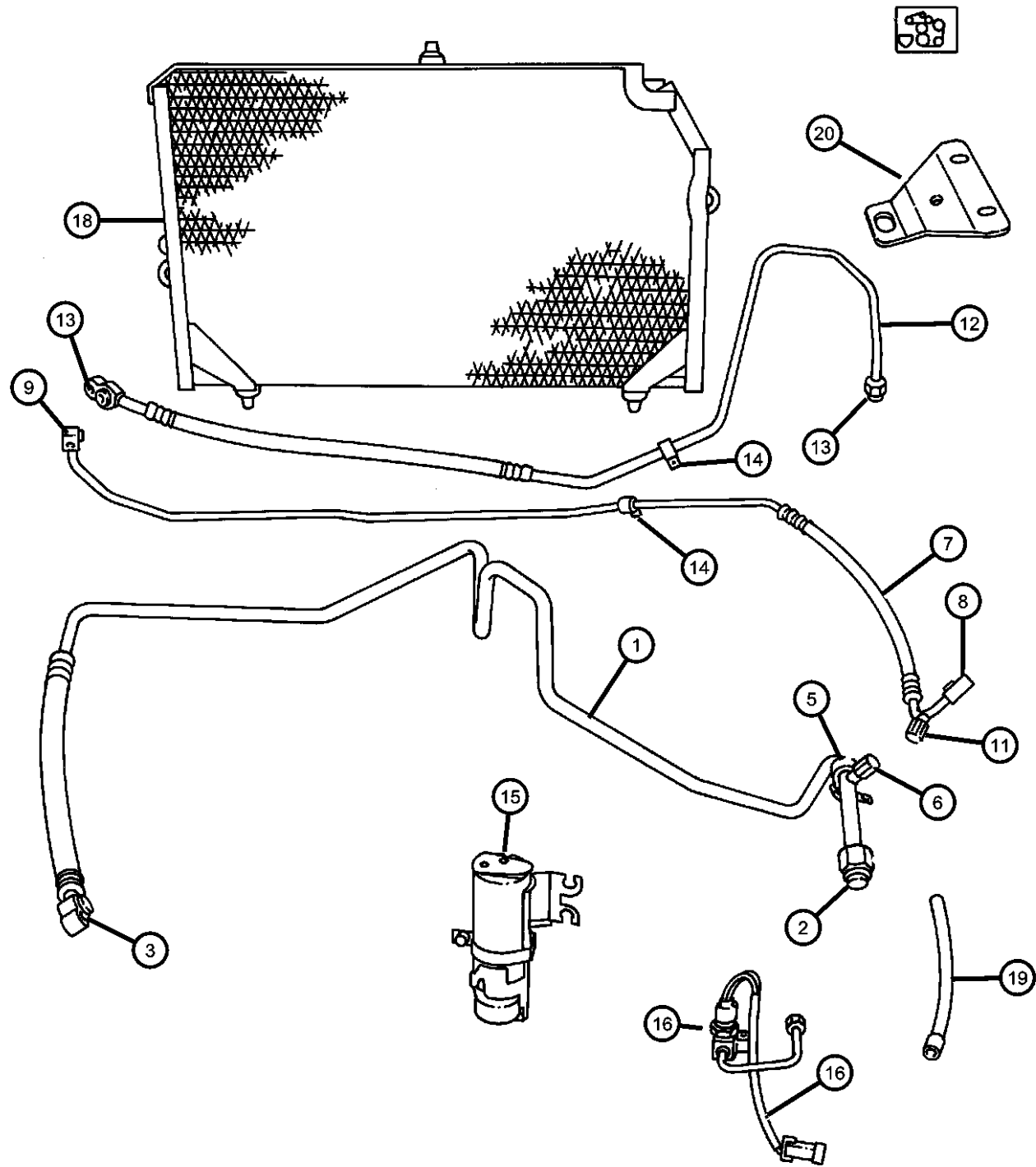
VIPER GTS COUPE,VIPER RT/10 ROADSTER (SR)

SERIES	LINE	BODY	ENGINE	TRANSMISSION
S = RT/10	D = DODGE	27 = 2-DR CONVERTIBLE	EWB = Engine - 8.0L V10 SFI	DEC = 6-Speed Manual
S = GTS Coupe		29 = SPECIALTY COUPE	EW0 = All 8.0L Gas	DBB = All Manual
X = GTS/Lemans				

AR = use ase required - = Non illustrated part

2001 SR

Plumbing, A/C
Figure 24-220



ITEM	PART NUMBER	QTY	LINE	SERIES	BODY	ENGINE	TRANS	TRIM	DESCRIPTION
1	05245035	1							LINE, A/C Suction
2	04796564	1							O RING, A/C Line, 5/8 inch
3	04740361	1							O RING, A/C Line
-4	05011346AA	1							VALVE CORE, Service Port
5	06035583	2							CLIP, Wrap Around
6	05264642	1							CAP, A/C Check Valve
7	04848164	1							LINE, A/C Liquid
8	05114529AA	1							O RING, A/C Line, Drier, Drier
9	05114528AA	1							O RING, A/C Line, Condenser, Condenser
-10	05011346AA	1							VALVE CORE, Service Port
11	05072866AA	1							CAP, A/C Charge Valve
12	05264924AA	1							LINE, A/C Discharge
13	04796565	2							O RING, A/C Line
14	04709099	1							CLIP, Discharge Line
15	04708201	1							RECEIVER DRIER
16	04708204	1							SWITCH, Dual Pressure
-17	04848672	1							TUBE, Filter Drier to Evaporator
18	04708206	1							CONDENSER, Air Conditioning
19	04708365	1							HOSE, Drain
20	04709377	1							BRACKET, A/C Condenser

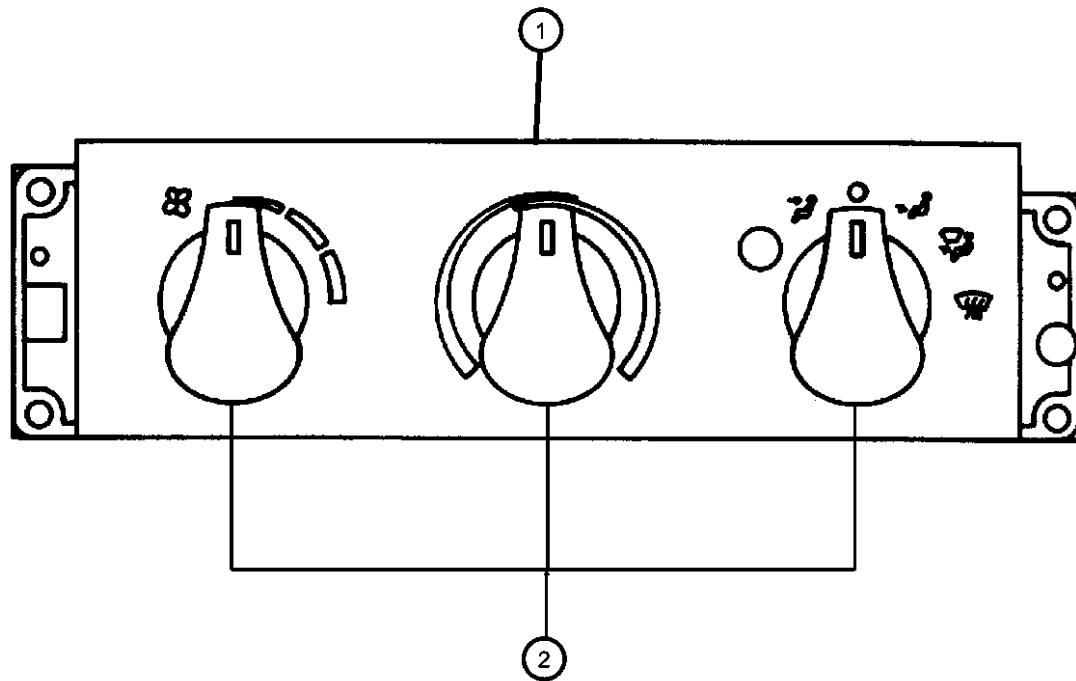
VIPER GTS COUPE,VIPER RT/10 ROADSTER (SR)

SERIES	LINE	BODY	ENGINE	TRANSMISSION
S = RT/10	D = DODGE	27 = 2-DR CONVERTIBLE	EWB = Engine - 8.0L V10 SFI	DEC = 6-Speed Manual
S = GTS Coupe		29 = SPECIALTY COUPE	EW0 = All 8.0L Gas	DBB = All Manual
X = GTS/Lemans				

AR = use ase required - = Non illustrated part

Control Assembly
Figure 24-310

ITEM	PART NUMBER	QTY	LINE	SERIES	BODY	ENGINE	TRANS	TRIM	DESCRIPTION
1	05245298	1							CONTROL, A/C And Heater
2	05245298	1							KNOB, Temperature Controller, Serviced in #1, (NOT SERVICED)

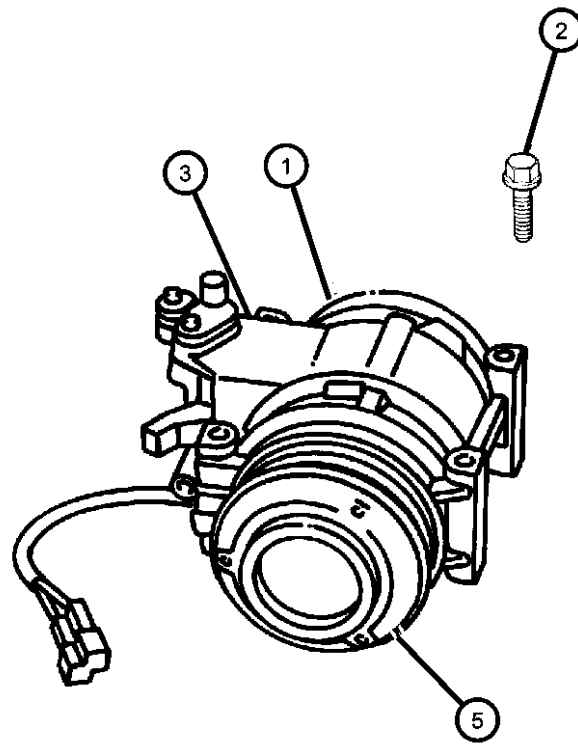


VIPER GTS COUPE,VIPER RT/10 ROADSTER (SR)

SERIES	LINE	BODY	ENGINE	TRANSMISSION
S = RT/10	D = DODGE	27 = 2-DR CONVERTIBLE	EWB = Engine - 8.0L V10 SFI	DEC = 6-Speed Manual
S = GTS Coupe		29 = SPECIALTY COUPE	EW0 = All 8.0L Gas	DBB = All Manual
X = GTS/Lemans				

AR = use ase required - = Non illustrated part

Compressor, A/C
Figure 24-410



ITEM	PART NUMBER	QTY	LINE	SERIES	BODY	ENGINE	TRANS	TRIM	DESCRIPTION
------	-------------	-----	------	--------	------	--------	-------	------	-------------

NOTE: Sales Codes:
[EWB] = 8.0L V10 SFI

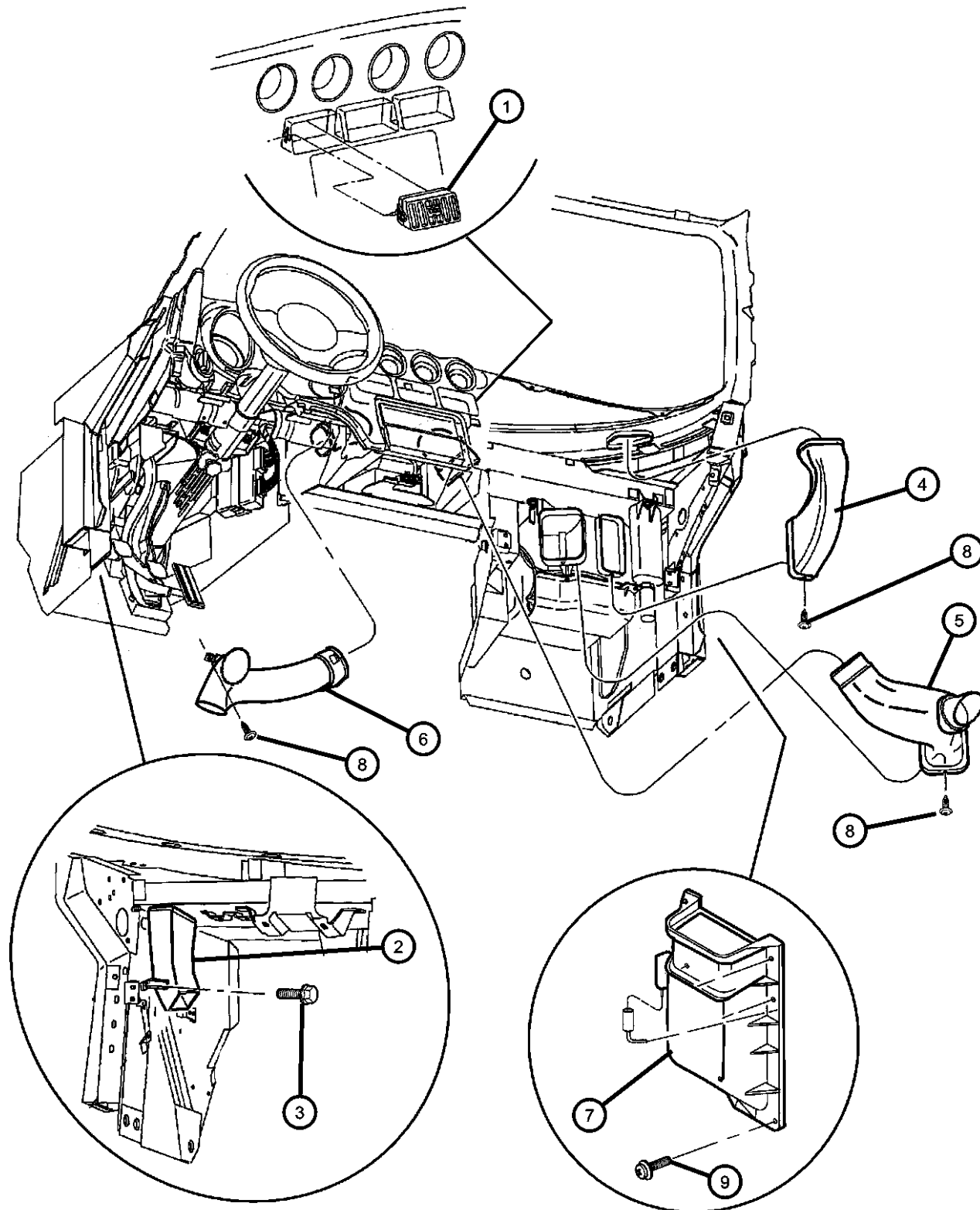
1	04848584	1				EWB			COMPRESSOR, Air Conditioning
2	06034244	3				EWB			SCREW AND WASHER, Hex Head, .312-18x3.50
3	04882801	1				EWB			MANIFOLD KIT, A/C Compressor
-4	04728854	1				EWB			SEAL, Manifold To Compressor
5	04897330AA	1				EWB			PULLEY HUB KIT, A/C Compressor
-6	05264452	1				EWB			CLUTCH OVERHAUL KIT, A/C Compressor
-7	04882802	1				EWB			COIL, Stator, A/C Compressor Clutch

VIPER GTS COUPE,VIPER RT/10 ROADSTER (SR)

SERIES	LINE	BODY	ENGINE	TRANSMISSION
S = RT/10	D = DODGE	27 = 2-DR CONVERTIBLE	EWB = Engine - 8.0L V10 SFI	DEC = 6-Speed Manual
S = GTS Coupe		29 = SPECIALTY COUPE	EW0 = All 8.0L Gas	DBB = All Manual
X = GTS/Lemans				

AR = use ase required - = Non illustrated part

Vents And Outlets
Figure 24-610



ITEM	PART NUMBER	QTY	LINE	SERIES	BODY	ENGINE	TRANS	TRIM	DESCRIPTION
1	04462469	3							AIR OUTLET, Heater and A/C
2	04643122	1							DUCT, Air Outlet, Left
3	06032723	1							SCREW, Self Tapping, M4.2x1.69x19.05
4	04848764	1							ADAPTER, Defroster Duct
5	04763113	1							VENT, A/C Duct Right
6	04763111	1							VENT, A/C Duct Left
7	04763972AB	1							DUCT, A/C And Heater
8	06032723	4							SCREW, Self Tapping, M4.2x1.69x19.05
9	06032723	4							SCREW, .190-16x.500, (NOT SERVICED)

VIPER GTS COUPE,VIPER RT/10 ROADSTER (SR)

SERIES	LINE	BODY	ENGINE	TRANSMISSION
S = RT/10	D = DODGE	27 = 2-DR CONVERTIBLE	EWB = Engine - 8.0L V10 SFI	DEC = 6-Speed Manual
S = GTS Coupe		29 = SPECIALTY COUPE	EW0 = All 8.0L Gas	DBB = All Manual
X = GTS/Lemans				

AR = use ase required - = Non illustrated part

2001 SR

Group - 25

Emission Systems

Group - 25 Emission Systems

Group-Fig. No.

Illustration Title

Emission Labels

Emission Labels Fig. 25 - 110

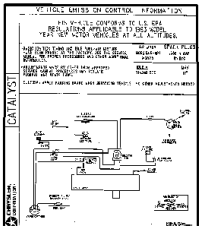
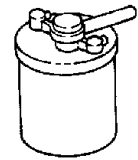
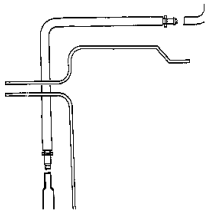
Vacuum Canister

Vacuum Canister Fig. 25 - 310

Emission Harness

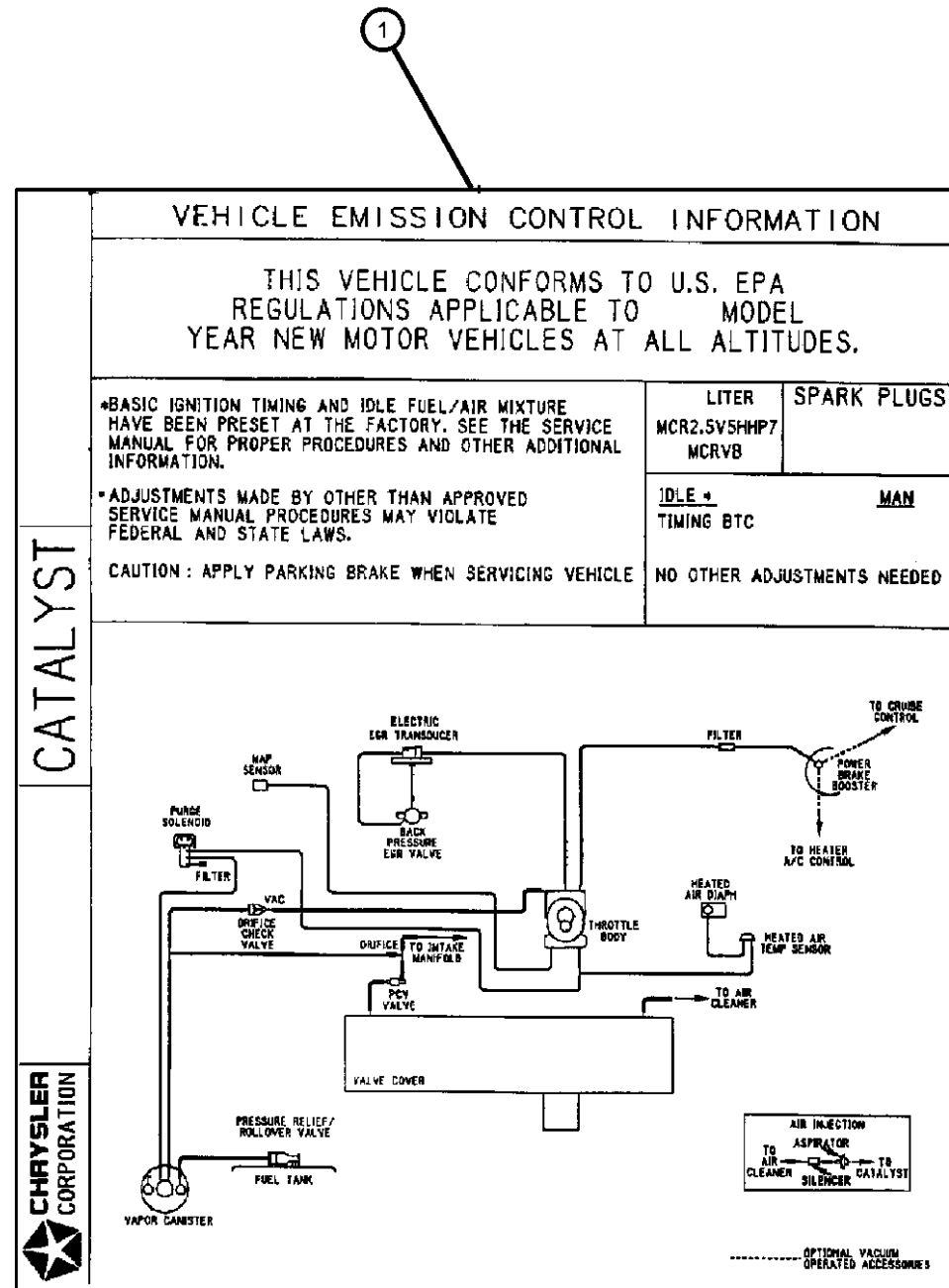
Emission Harness Fig. 25 - 410

Leak Detection Pump Fig. 25 - 450

<p>025-100 Emission Labels</p> 	<p>025-300 Vacuum Canister</p> 	<p>025-400 Emission Harness</p> 	
---	---	---	--

Emission Labels
Figure 25-110

ITEM	PART NUMBER	QTY	LINE	SERIES	BODY	ENGINE	TRANS	TRIM	DESCRIPTION
1	04855100AE	1							LABEL, Emission
	04855105AE	1							Domestic/Mexico Canada



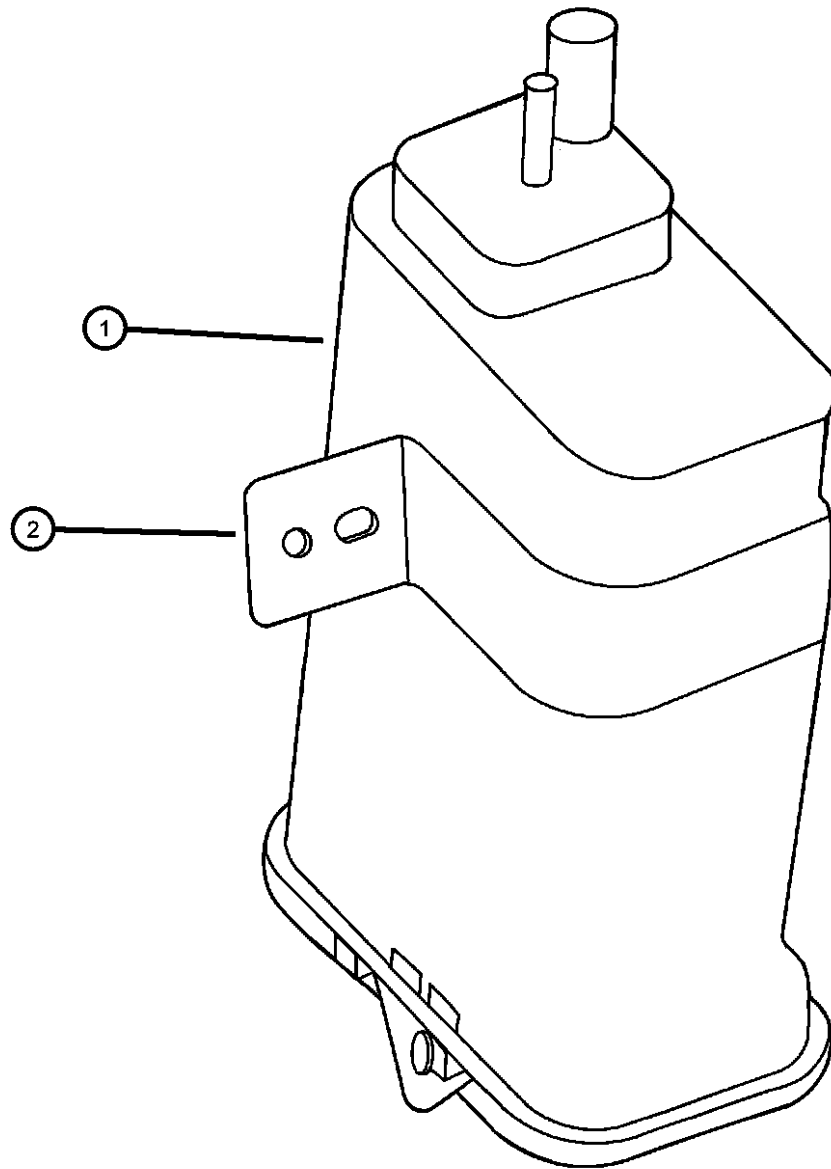
VIPER GTS COUPE, VIPER RT/10 ROADSTER (SR)

SERIES	LINE	BODY	ENGINE	TRANSMISSION
S = RT/10	D = DODGE	27 = 2-DR CONVERTIBLE	EWB = Engine - 8.0L V10 SFI	DEC = 6-Speed Manual
S = GTS Coupe		29 = SPECIALTY COUPE	EW0 = All 8.0L Gas	DBB = All Manual
X = GTS/Lemans				

AR = use ase required - = Non illustrated part

Vacuum Canister
Figure 25-310

ITEM	PART NUMBER	QTY	LINE	SERIES	BODY	ENGINE	TRANS	TRIM	DESCRIPTION
1	05264889AA	1							CANISTER, Vapor
2	05264878AA	1							BRACKET, Leak Detection Pump
-3	06100575	2							BOLT AND CONED WASHER, Hex Head, M8x25x17
-4	06101801	2							SCREW, Tapping Annular, M8x1.25x15
-5	06101801	2							SCREW, Hex Flange Head Tapping, .25-14x.875, (NOT SERVICED)



VIPER GTS COUPE,VIPER RT/10 ROADSTER (SR)

SERIES	LINE	BODY	ENGINE	TRANSMISSION
S = RT/10	D = DODGE	27 = 2-DR CONVERTIBLE	EWB = Engine - 8.0L V10 SFI	DEC = 6-Speed Manual
S = GTS Coupe		29 = SPECIALTY COUPE	EW0 = All 8.0L Gas	DBB = All Manual
X = GTS/Lemans				

AR = use ase required - = Non illustrated part

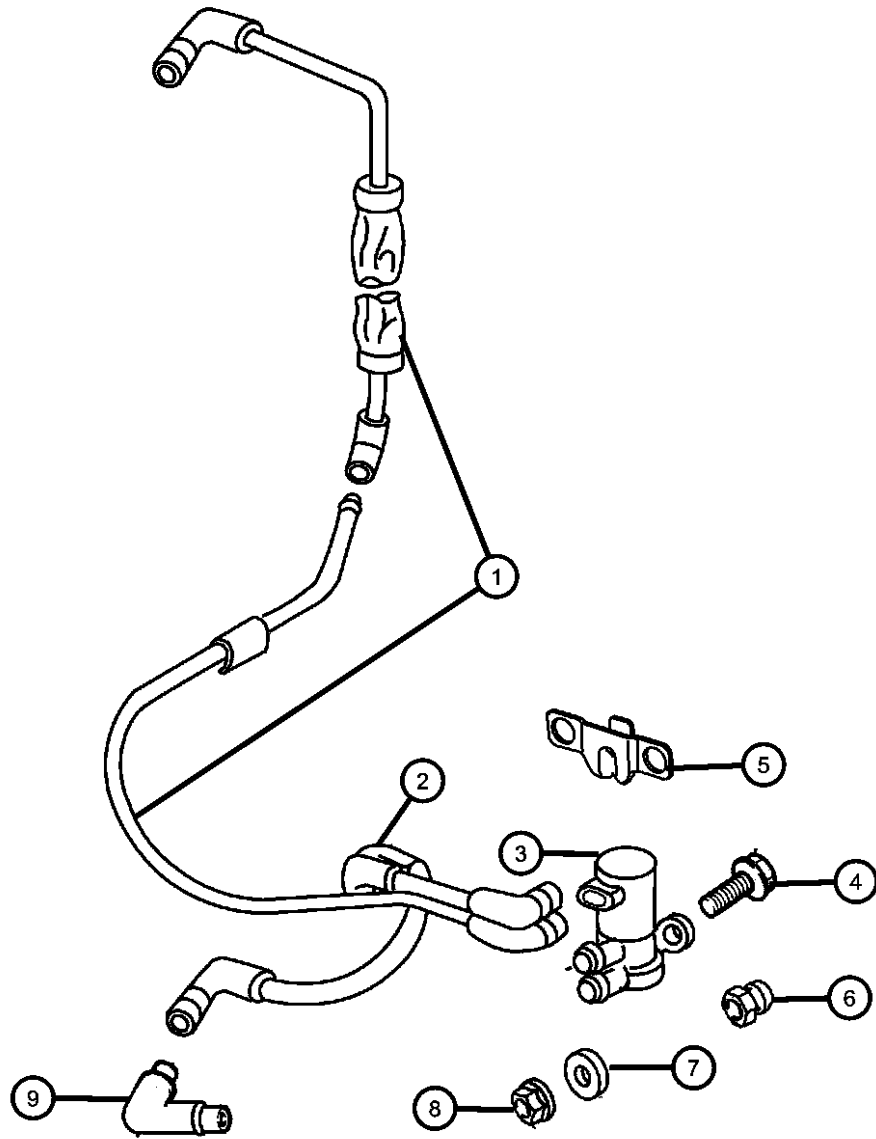
2001 SR

**Emission Harness
Figure 25-410**

ITEM	PART NUMBER	QTY	LINE	SERIES	BODY	ENGINE	TRANS	TRIM	DESCRIPTION
------	-------------	-----	------	--------	------	--------	-------	------	-------------

NOTES: Sales Code
[EWB] = 8.0L V10 SFI Engine

1	04763804AD	1				EWB			HARNESS, Canister Purge
2	05264879AA	1							HARNESS, Purge Body
3	04669475AB	1							SOLENOID, Duty Cycle Purge
4	06100270	2							SCREW AND WASHER, M6x1x40
5	04762085	1							BRACKET, Duty Cycle Purge Solenoid
6	04669268	2							GROMMET
7	03502916	2							SPACER, Speed Control Servo
8	34201358	2							NUT AND WASHER, Hex Nut-Sealing Washer, M6 x 1.00
9	34201358	2							ELBOW, Vapor Tube Harness, .25x.25 90 Degree, (NOT SERVICED)



VIPER GTS COUPE,VIPER RT/10 ROADSTER (SR)

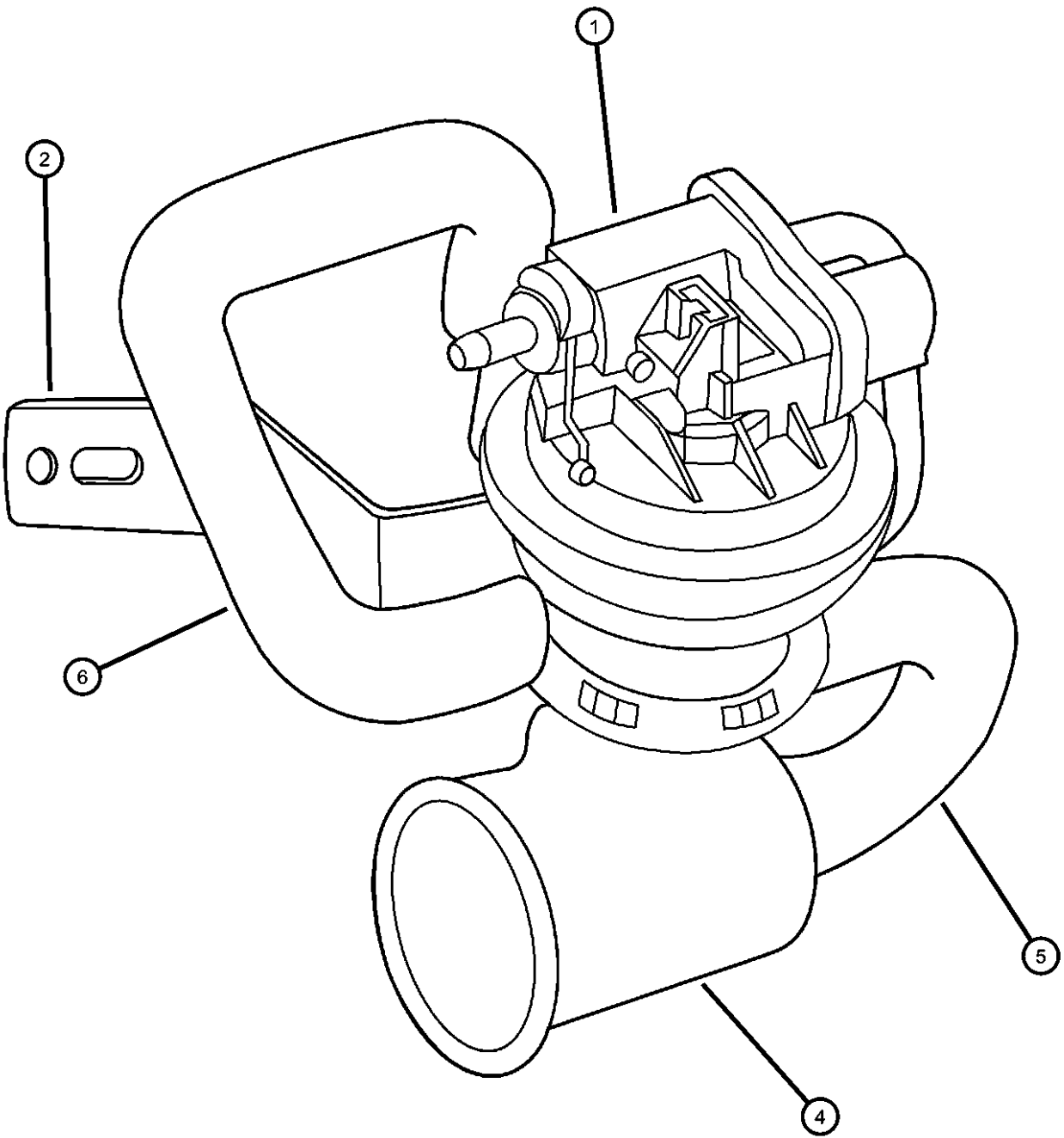
SERIES	LINE	BODY	ENGINE	TRANSMISSION
S = RT/10	D = DODGE	27 = 2-DR CONVERTIBLE	EWB = Engine - 8.0L V10 SFI	DEC = 6-Speed Manual
S = GTS Coupe		29 = SPECIALTY COUPE	EW0 = All 8.0L Gas	DBB = All Manual
X = GTS/Lemans				

AR = use ase required - = Non illustrated part

2001 SR

**Leak Detection Pump
Figure 25-450**

ITEM	PART NUMBER	QTY	LINE	SERIES	BODY	ENGINE	TRANS	TRIM	DESCRIPTION
1	05290002AA	1							PUMP, Leak Detection
2	05264878AA	1							BRACKET, Leak Detection Pump
-3	05264878AA	1							SCREW, Tapping, .19-16x.375, (NOT SERVICED)
4	04612901	1							FILTER, Fuel Vapor Vent
5	04669359	1							HOSE, Leak Detection Pump
6	05264888AA	1							HOSE, Leak Detection Pump to Canister
-7	05264888AA	1							NUT, Hex Flange Serration, M6x1, (NOT SERVICED)



VIPER GTS COUPE,VIPER RT/10 ROADSTER (SR)

SERIES	LINE	BODY	ENGINE	TRANSMISSION
S = RT/10	D = DODGE	27 = 2-DR CONVERTIBLE	EWB = Engine - 8.0L V10 SFI	DEC = 6-Speed Manual
S = GTS Coupe		29 = SPECIALTY COUPE	EW0 = All 8.0L Gas	DBB = All Manual
X = GTS/Lemans				

AR = use ase required - = Non illustrated part

Group - DSR

Doors and Related Parts

Group - DSR Doors and Related Parts

Illustration Title

Group-Fig. No.

Front Door

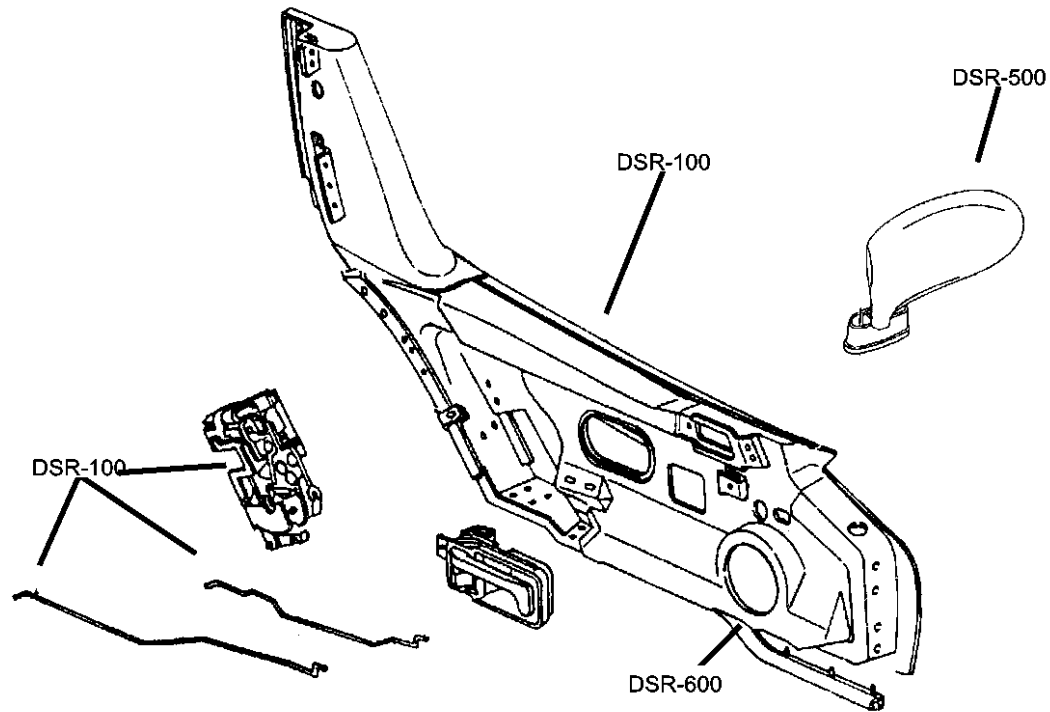
Door, Front Shell And Hinges	Fig. DSR - 110
Door , Front Glass And Regulator	Fig. DSR - 125
Door, Front Lock And Controls	Fig. DSR - 130

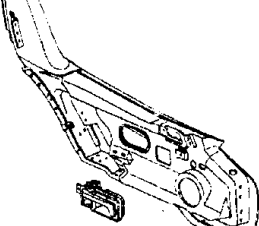
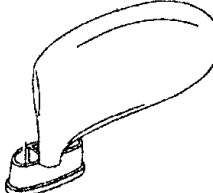

Exterior Mirror

Mirrors, Exterior	Fig. DSR - 510
-------------------------	----------------

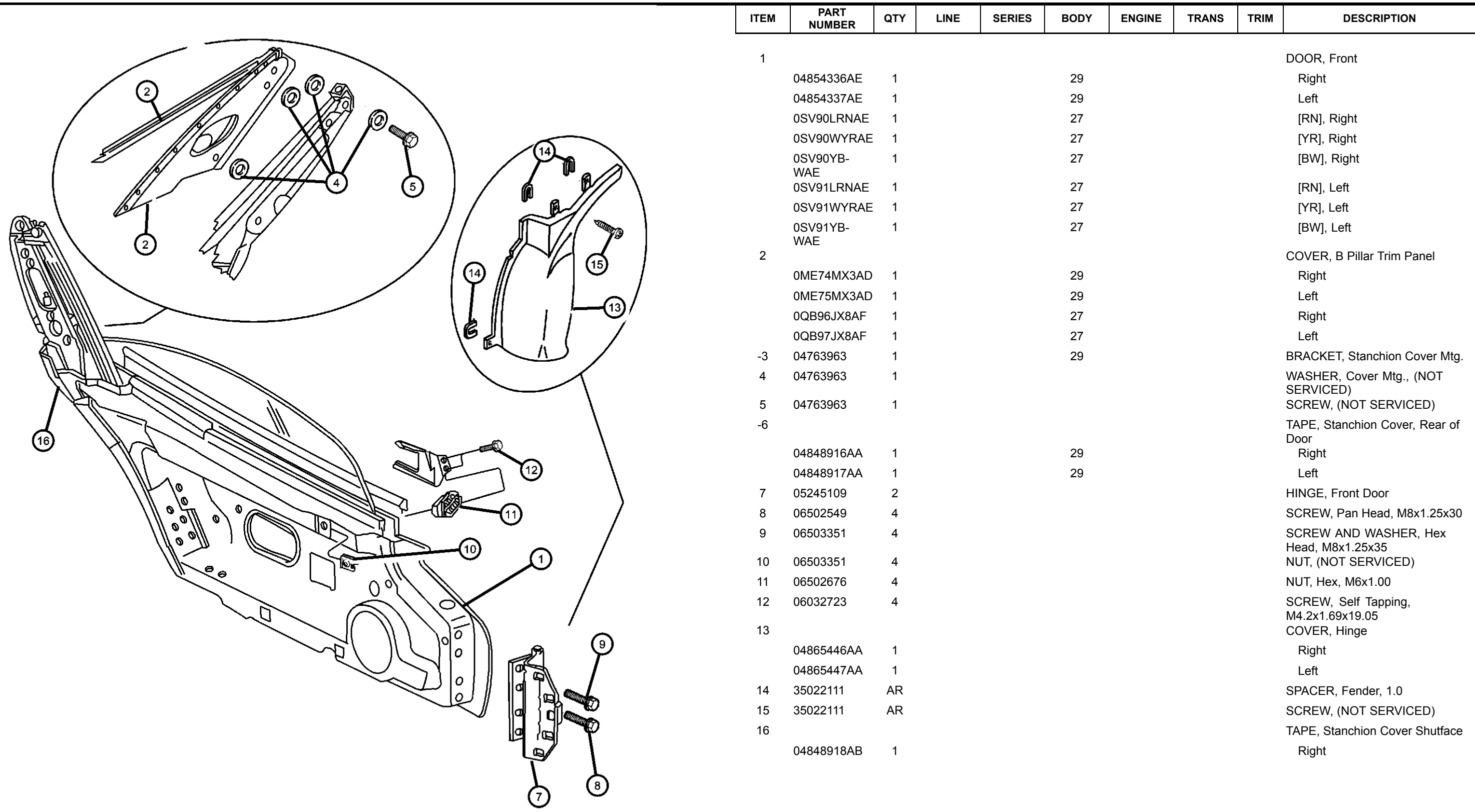
Weatherstrips and Seals

Door, Front Seals Viper 27	Fig. DSR - 610
Door, Front Weatherstrips And Seals Viper 29	Fig. DSR - 620



<p>DSR-100 Front Door</p> 	<p>DSR-500 Exterior Mirror</p> 	<p>DSR-600 Weatherstrips and Seals</p> 	
---	---	--	--

**Door, Front Shell And Hinges
Figure DSR-110**



ITEM	PART NUMBER	QTY	LINE	SERIES	BODY	ENGINE	TRANS	TRIM	DESCRIPTION
1	04854336AE	1			29				DOOR, Front Right
	04854337AE	1			29				Left
	0SV90LRNAE	1			27				[RN], Right
	0SV90WYRAE	1			27				[YR], Right
	0SV90YB-WAE	1			27				[BW], Right
	0SV91LRNAE	1			27				[RN], Left
	0SV91WYRAE	1			27				[YR], Left
	0SV91YB-WAE	1			27				[BW], Left
2	0ME74MX3AD	1			29				COVER, B Pillar Trim Panel Right
	0ME75MX3AD	1			29				Left
	0QB96JX8AF	1			27				Right
	0QB97JX8AF	1			27				Left
-3	04763963	1			29				BRACKET, Stanchion Cover Mtg.
4	04763963	1							WASHER, Cover Mtg., (NOT SERVICED)
5	04763963	1							SCREW, (NOT SERVICED)
-6									TAPE, Stanchion Cover, Rear of Door
	04848916AA	1			29				Right
	04848917AA	1			29				Left
7	05245109	2							HINGE, Front Door
8	06502549	4							SCREW, Pan Head, M8x1.25x30
9	06503351	4							SCREW AND WASHER, Hex Head, M8x1.25x35
10	06503351	4							NUT, (NOT SERVICED)
11	06502676	4							NUT, Hex, M6x1.00
12	06032723	4							SCREW, Self Tapping, M4.2x1.69x19.05
13									COVER, Hinge
	04865446AA	1							Right
	04865447AA	1							Left
14	35022111	AR							SPACER, Fender, 1.0
15	35022111	AR							SCREW, (NOT SERVICED)
16									TAPE, Stanchion Cover Shutface
	04848918AB	1							Right

VIPER GTS COUPE,VIPER RT/10 ROADSTER (SR)

SERIES	LINE	BODY	ENGINE	TRANSMISSION
S = RT/10	D = DODGE	27 = 2-DR CONVERTIBLE	EWB = Engine - 8.0L V10 SFI	DEC = 6-Speed Manual
S = GTS Coupe		29 = SPECIALTY COUPE	EW0 = All 8.0L Gas	DBB = All Manual
X = GTS/Lemans				

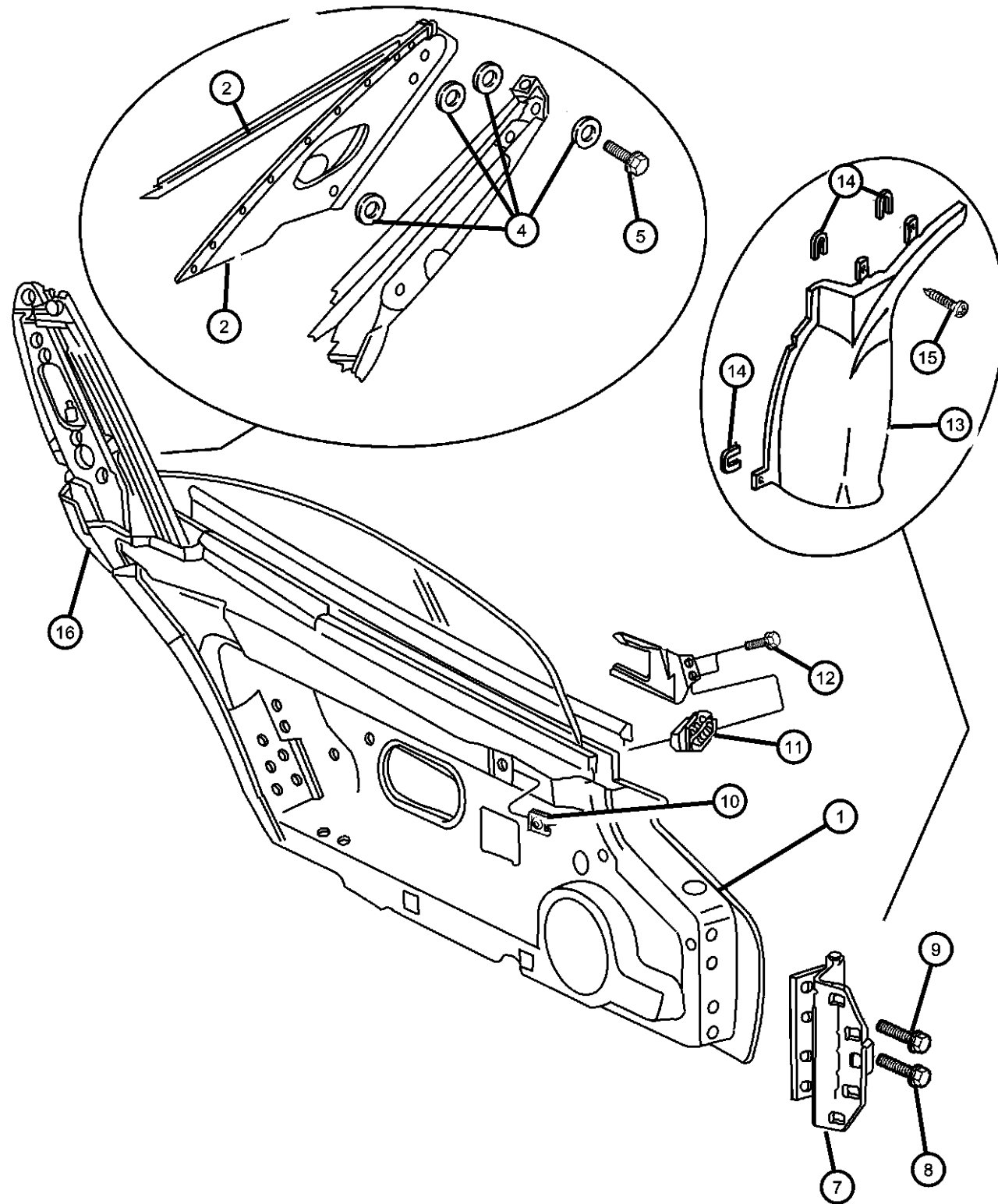
AR = use ase required - = Non illustrated part

Door, Front Shell And Hinges
Figure DSR-110

ITEM	PART NUMBER	QTY	LINE	SERIES	BODY	ENGINE	TRANS	TRIM	DESCRIPTION
------	-------------	-----	------	--------	------	--------	-------	------	-------------

	04848919AB	1							Left
-17	02860332	4							PLUG, Anti-Rattle, Door Shutface

Left
PLUG, Anti-Rattle, Door Shutface



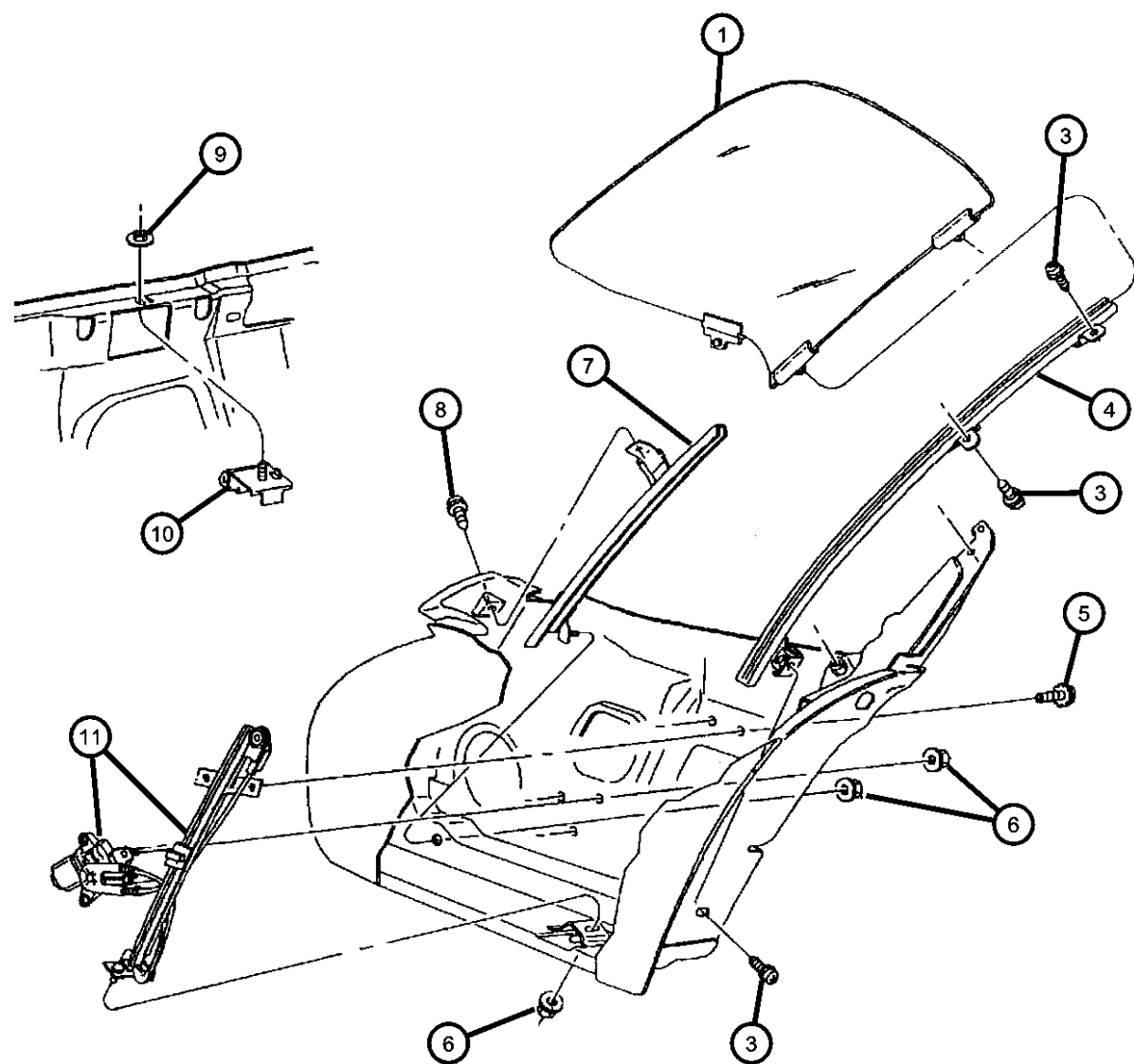
VIPER GTS COUPE,VIPER RT/10 ROADSTER (SR)

SERIES	LINE	BODY	ENGINE	TRANSMISSION
S = RT/10	D = DODGE	27 = 2-DR CONVERTIBLE	EWB = Engine - 8.0L V10 SFI	DEC = 6-Speed Manual
S = GTS Coupe		29 = SPECIALTY COUPE	EW0 = All 8.0L Gas	DBB = All Manual
X = GTS/Lemans				

AR = use ase required - = Non illustrated part

2001 SR

**Door , Front Glass And Regulator
Figure DSR-125**



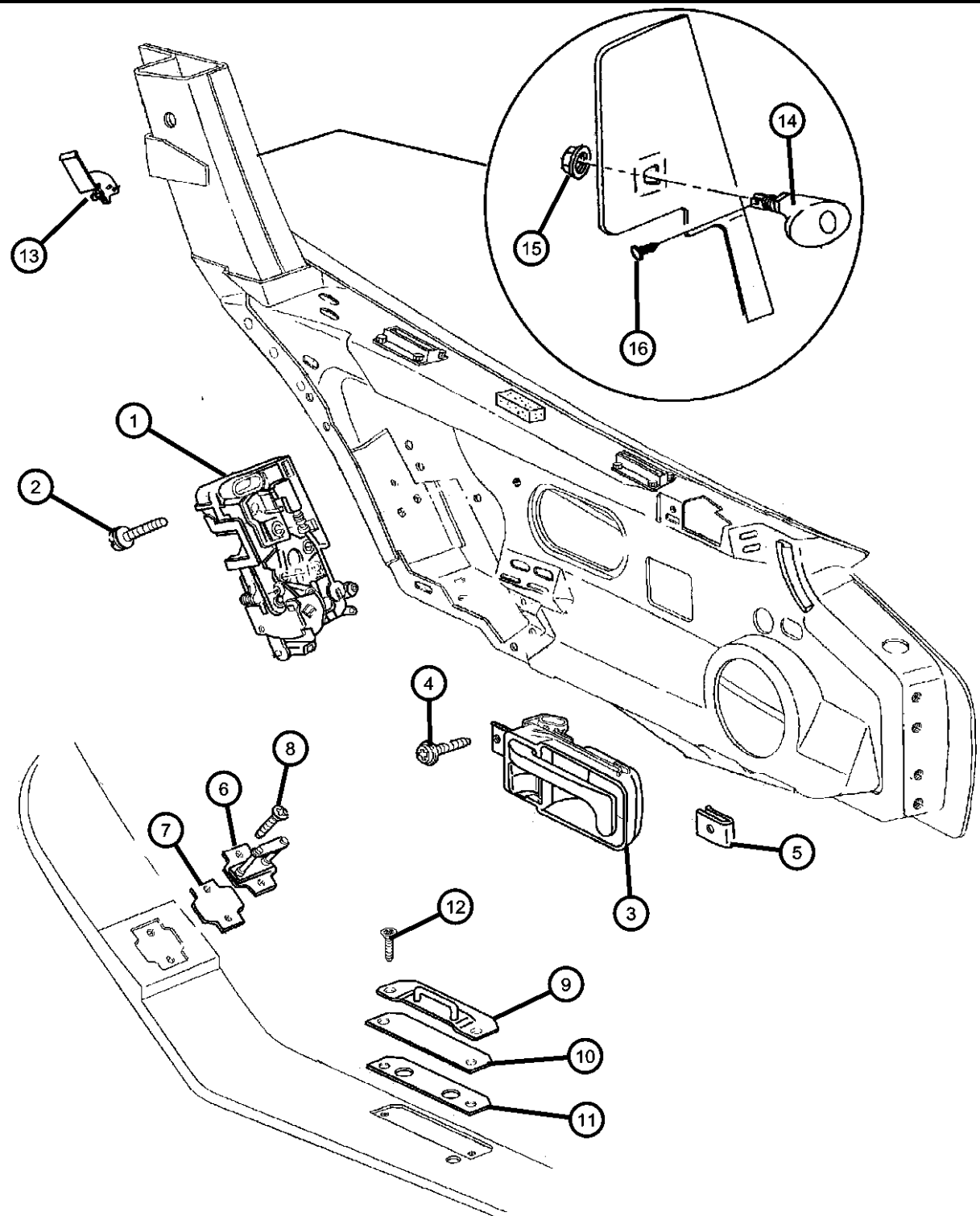
ITEM	PART NUMBER	QTY	LINE	SERIES	BODY	ENGINE	TRANS	TRIM	DESCRIPTION
1									GLASS, Door
	04763268AB	1			29				Right
	DD09568GTY								Collision Replacement Glass
	04763269AB	1			29				Left
	DD09569GTY								Collision Replacement Glass
	04848470AB	1			27				Right
	DD09250GTY								Collision Replacement Glass
	04848471AB	1			27				Left
	DD09251GTY								Collision Replacement Glass
-2									UPSTOP, Front Door Window Glass
	04763280	2			27				
		1			29				
3	06501373	6							SCREW AND WASHER, Hex Head, M6x1x20
4									CHANNEL, Front Door Glass
	04763278	1			29				Right
	04763279	1			29				Left
	04848460	1			27				Right
	04848461	1			27				Left
5	06504199	4							SCREW, Hex Flange Head, M6x1x12
6	06502843	2							NUT AND WASHER, Hex Nut-Coned Washer, M6 x 1.00
7									CHANNEL, Door Glass
	04763284AB	1							Right
	04763285AB	1							Left
8	06501373	6							SCREW AND WASHER, Hex Head, M6x1x20
9	06502676	4							NUT, Hex, M6x1.00
10	04658734	2							STABILIZER, Door Glass Belt
11									REGULATOR, Front Door Window
	04763282	1							Right
	04763283	1							Left

VIPER GTS COUPE,VIPER RT/10 ROADSTER (SR)

SERIES	LINE	BODY	ENGINE	TRANSMISSION
S = RT/10	D = DODGE	27 = 2-DR CONVERTIBLE	EWB = Engine - 8.0L V10 SFI	DEC = 6-Speed Manual
S = GTS Coupe		29 = SPECIALTY COUPE	EW0 = All 8.0L Gas	DBB = All Manual
X = GTS/Lemans				

AR = use ase required - = Non illustrated part

Door, Front Lock And Controls
Figure DSR-130



ITEM	PART NUMBER	QTY	LINE	SERIES	BODY	ENGINE	TRANS	TRIM	DESCRIPTION
1	04763186AB	1			27				LATCH, Front Door Right
	04763187AB	1			29				Right
	04763187AB	1							Left
2	06501373	6							SCREW AND WASHER, Hex Head, M6x1x20
3	06501373	6							HOUSING, Door Remote Control, Serviced in Door Trim Panel, (NOT SERVICED)
4	06501373	6							SCREW, Pan Head, .164-18x.50, (NOT SERVICED)
5	06501373	6							U NUT, .190-16, (NOT SERVICED)
6	04643066	2							STRIKER, Door LatchRight
7	04643067	AR							SPACER, Door Lock StrikerLeft
8	04643428	4							SCREW, Flat Head, M8x1.25x36.3
9	05245098AB	2							INTERLOCK, Door Restraint
10	04763553	AR							SPACER, Lower Door Restraint
11	04763554	2							INSULATOR, Restraint System
12	06503665	4							SCREW, Flange Head, M6x1x18
13	06503665	4							HANDLE, Inside Manual Override, Serviced in Trim Panel, (NOT SERVICED)
14									HANDLE, Front Door
	0PS20SX8	1			29				Black, Right
	0PS20TX9	1			27				Flat Black, Right
	0PS21SX8	1			29				Black, Left
	0PS21TX9	1			27				Flat Black, Left
15									NUT
	05245795	1			29				
		1			27				
16	04848479	2			29				PIN, Snap

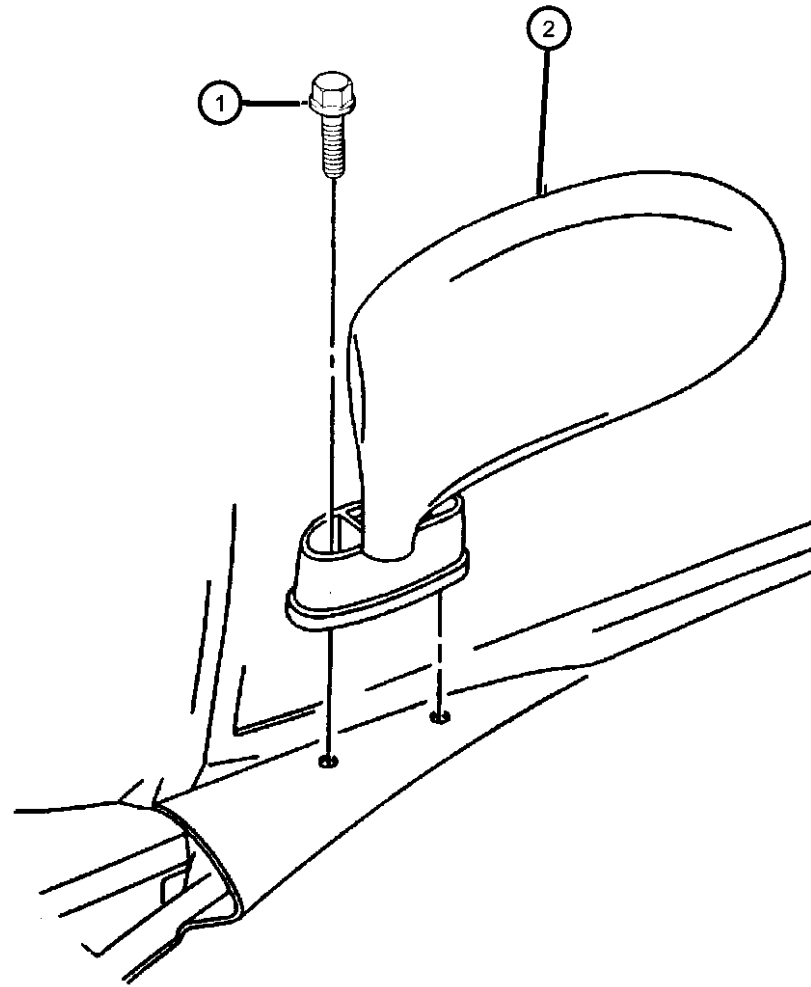
VIPER GTS COUPE,VIPER RT/10 ROADSTER (SR)

SERIES	LINE	BODY	ENGINE	TRANSMISSION
S = RT/10	D = DODGE	27 = 2-DR CONVERTIBLE	EWB = Engine - 8.0L V10 SFI	DEC = 6-Speed Manual
S = GTS Coupe		29 = SPECIALTY COUPE	EW0 = All 8.0L Gas	DBB = All Manual
X = GTS/Lemans				

AR = use ase required - = Non illustrated part

Mirrors, Exterior
Figure DSR-510

ITEM	PART NUMBER	QTY	LINE	SERIES	BODY	ENGINE	TRANS	TRIM	DESCRIPTION
1	06503666	4							SCREW
2									MIRROR, Outside Rearview, Primed
	04854276AC	1							Right
	04854277AC	1							Left

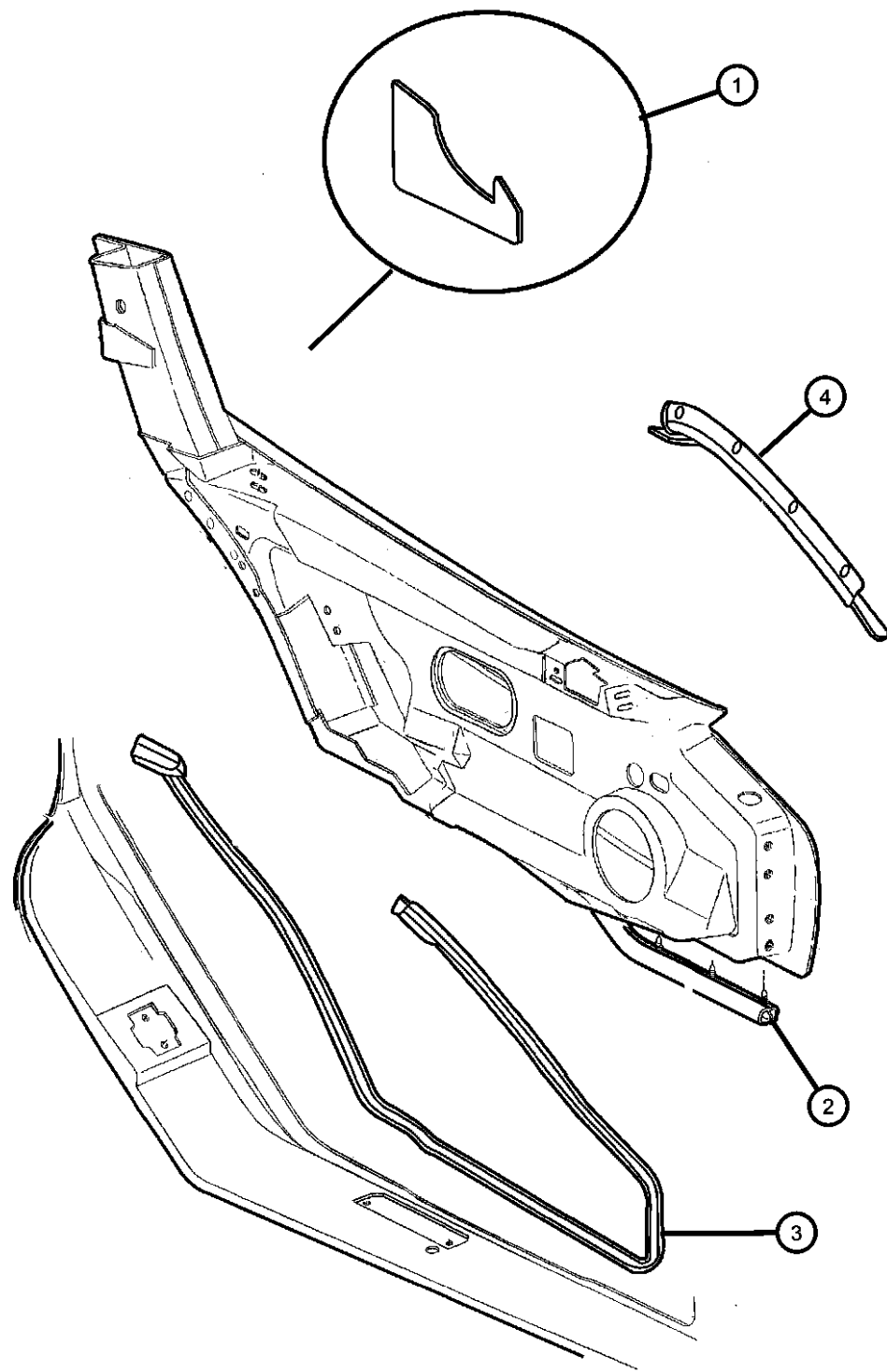


VIPER GTS COUPE,VIPER RT/10 ROADSTER (SR)

SERIES	LINE	BODY	ENGINE	TRANSMISSION
S = RT/10	D = DODGE	27 = 2-DR CONVERTIBLE	EWB = Engine - 8.0L V10 SFI	DEC = 6-Speed Manual
S = GTS Coupe		29 = SPECIALTY COUPE	EW0 = All 8.0L Gas	DBB = All Manual
X = GTS/Lemans				

AR = use ase required - = Non illustrated part

Door, Front Seals Viper 27
Figure DSR-610



ITEM	PART NUMBER	QTY	LINE	SERIES	BODY	ENGINE	TRANS	TRIM	DESCRIPTION
1	04848204	1			27				SEAL, Door Right
	04848205	1			27				Left
2	04642872	2							SEAL, Door
3	04848304AH	1			27				WEATHERSTRIP, A-Pillar to Roof Right
	04848305AH	1			27				Left
4	04848464AC	1			27				RETAINER, B Pillar Weatherstrip Right
	04848465AC	1			27				Left
-5	04763890AB	1							WEATHERSTRIP, Door Belt Inner, Right
	04763891AB	1							Inner, Left
	04854261AA	1			27				Outer, Left
	04854262AA	1			27				Outer, Right

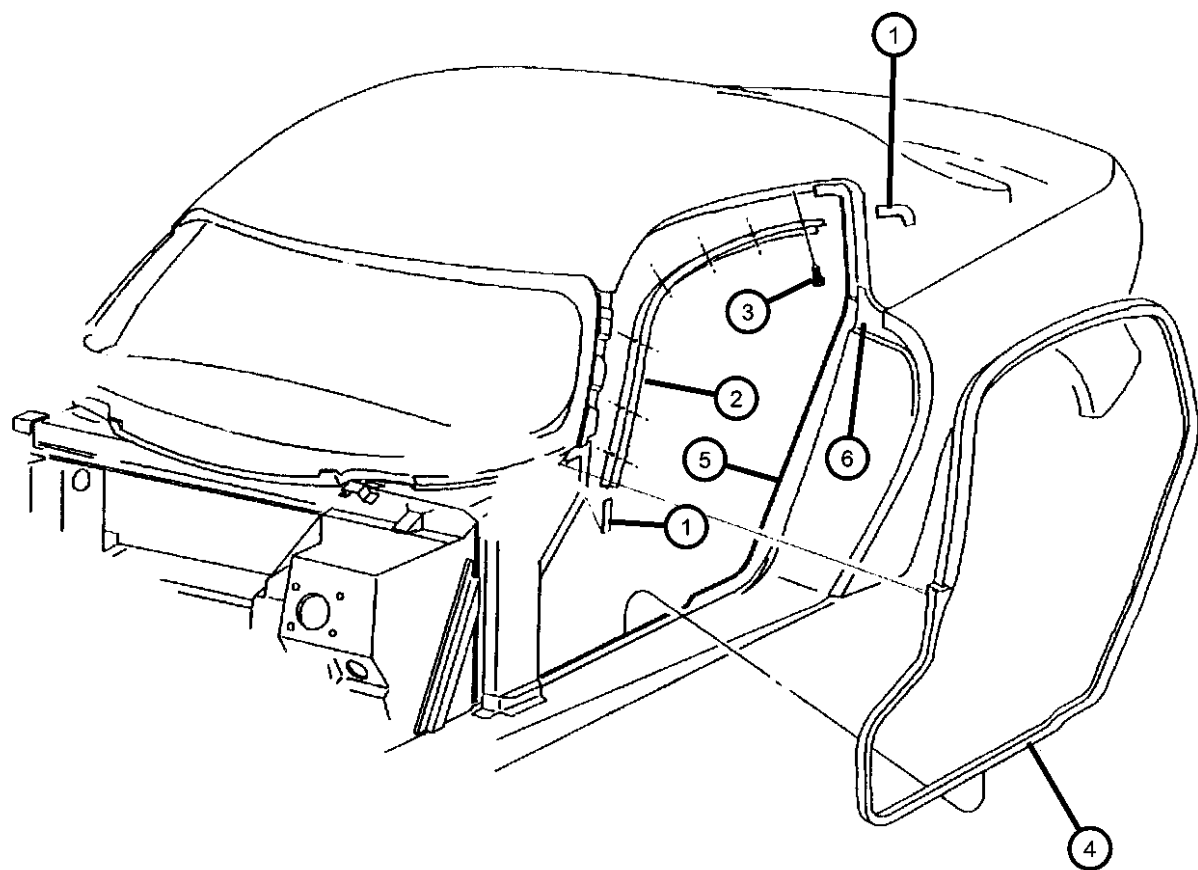
VIPER GTS COUPE,VIPER RT/10 ROADSTER (SR)

SERIES	LINE	BODY	ENGINE	TRANSMISSION
S = RT/10	D = DODGE	27 = 2-DR CONVERTIBLE	EWB = Engine - 8.0L V10 SFI	DEC = 6-Speed Manual
S = GTS Coupe		29 = SPECIALTY COUPE	EW0 = All 8.0L Gas	DBB = All Manual
X = GTS/Lemans				

AR = use ase required - = Non illustrated part

2001 SR

Door, Front Weatherstrips And Seals Viper 29
Figure DSR-620



ITEM	PART NUMBER	QTY	LINE	SERIES	BODY	ENGINE	TRANS	TRIM	DESCRIPTION
1	04848717	2			29				TAPE, Foam
2									RETAINER, Front Pillar to Glass
	04763888AD	1			29				Right
	04763889AD	1			29				Left
3	04763889AD	1							SCREW, (NOT SERVICED)
4									WEATHERSTRIP, Door Glass
	04763878AE	1			29				Right
	04763879AE	1			29				Left
5									WEATHERSTRIP, Door Belt
	04763882AE	1			29				Right, Outer
	04763883AE	1			29				Left, Outer
6									TAPE
	04848918AB	1							Right
	04848919AB	1							Left

VIPER GTS COUPE,VIPER RT/10 ROADSTER (SR)

SERIES	LINE	BODY	ENGINE	TRANSMISSION
S = RT/10	D = DODGE	27 = 2-DR CONVERTIBLE	EWB = Engine - 8.0L V10 SFI	DEC = 6-Speed Manual
S = GTS Coupe		29 = SPECIALTY COUPE	EW0 = All 8.0L Gas	DBB = All Manual
X = GTS/Lemans				

AR = use ase required - = Non illustrated part

Group - ESR

Exterior Ornamentation

Group - ESR Exterior Ornamentation

Illustration Title

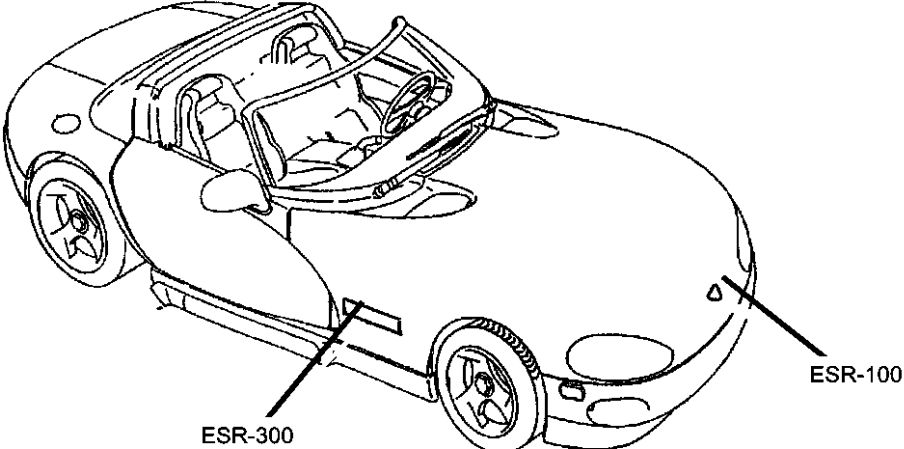
Group-Fig. No.



Medallions

Nameplates..... Fig. ESR - 110

Decals

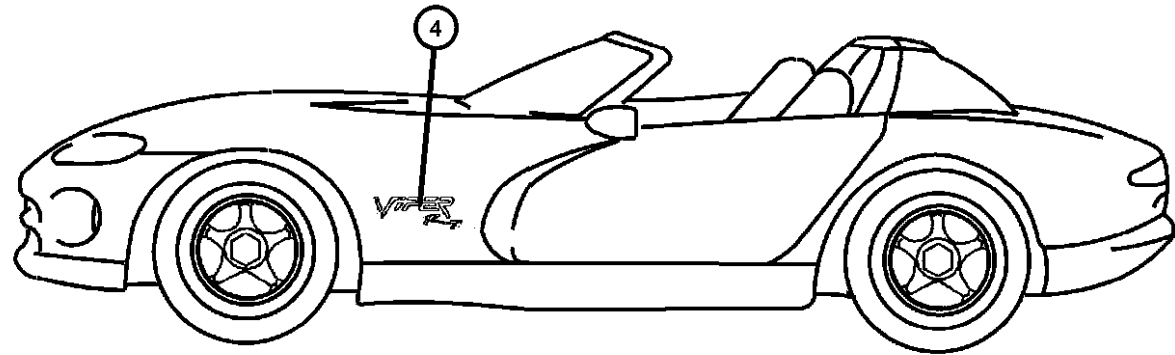
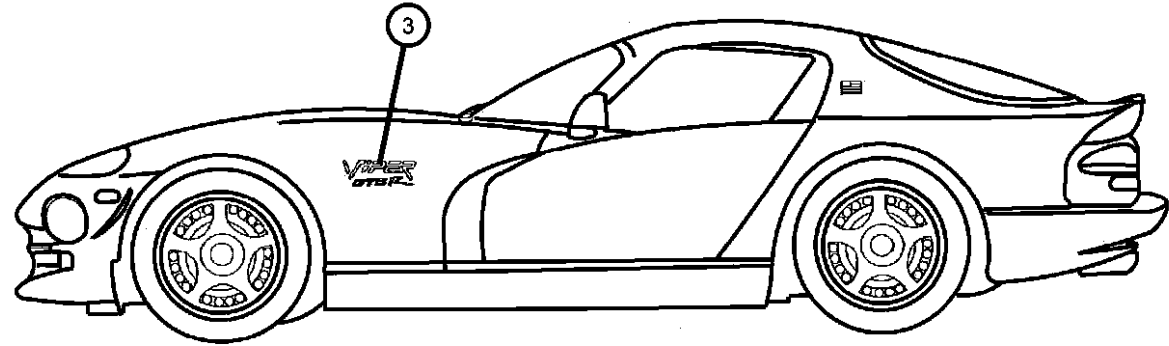
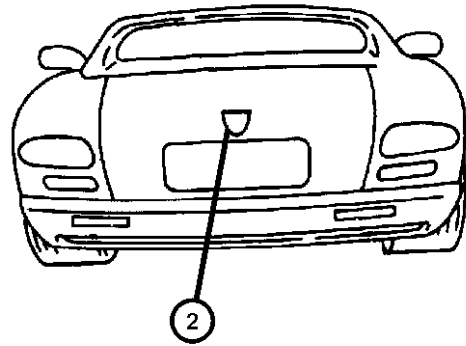
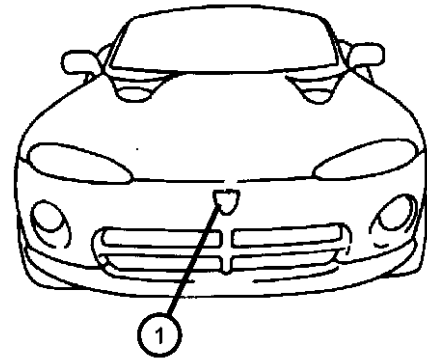
Decals..... Fig. ESR - 310



<p>ESR-100 Medallions</p> 	<p>ESR-300 Decals</p> 		
--	--	--	--

Nameplates
Figure ESR-110

ITEM	PART NUMBER	QTY	LINE	SERIES	BODY	ENGINE	TRANS	TRIM	DESCRIPTION
NOTE: Also see DECAL Illustration									
1									MEDALLION, Hood
	0PF0004B	1							[BW]
	0PF0004Y	1							[YR]
	0PF00T1R	1							[RN]
2									MEDALLION, Viper Head
	0JW4004B	1			27				[BW]
	0JW4004Y	1			27				[YR]
	0JW40M1R	1			27				[RN]
3	04848943AA	2			29				NAMEPLATE, HOOD, GTS
4	04848944AA	2			27				NAMEPLATE, HOOD, RT/10



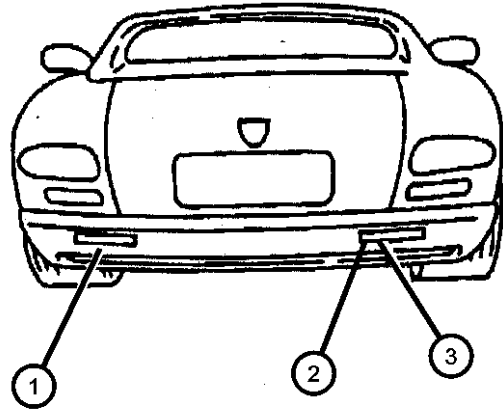
VIPER GTS COUPE,VIPER RT/10 ROADSTER (SR)

SERIES	LINE	BODY	ENGINE	TRANSMISSION
S = RT/10	D = DODGE	27 = 2-DR CONVERTIBLE	EWB = Engine - 8.0L V10 SFI	DEC = 6-Speed Manual
S = GTS Coupe		29 = SPECIALTY COUPE	EW0 = All 8.0L Gas	DBB = All Manual
X = GTS/Lemans				

AR = use ase required - = Non illustrated part

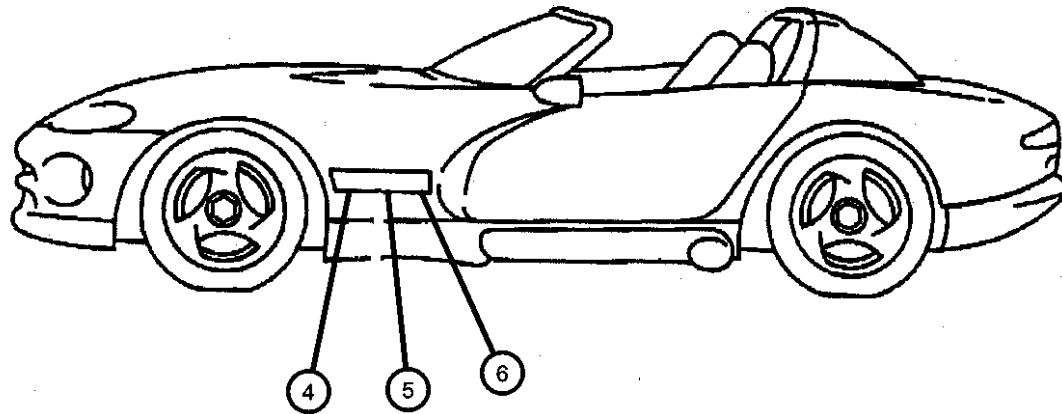
**Decals
Figure ESR-310**

ITEM	PART NUMBER	QTY	LINE	SERIES	BODY	ENGINE	TRANS	TRIM	DESCRIPTION
------	-------------	-----	------	--------	------	--------	-------	------	-------------



NOTE: Also see NAMEPLATE Illustration
Sales Codes:
[ACR] =COMPETITION GROUP

1	0GC54WRR	1			27				DECAL, Dodge, Fascia [RN]
		1			29				[RN]
	0GC54WYT	1			27				[YR]
		1			29				[YR]
	0GC54YBW	1			27				[BW]
		1			29				[BW]
2	0GC43WRR	1			27				DECAL, Viper R/T 10, Fascia [RN]
	0GC43WYT	1			27				[YR]
	0GC43YBW	1			27				[BW]
3	0MB59WRR	1			29				DECAL, VIPER GTS, Fascia [RN]
	0MB59WYT	1			29				[YR]
	0MB59YBW	1			29				[BW]
4	0GC53WRR	2			27				DECAL, Viper R/T 10, Hood [RN]
	0GC53WYT	2			27				[YR]
5	0MB61WRR	2			29				DECAL, VIPER GTS, Hood [RN]
	0MB61WYT	2			29				[YR]
6	0SZ22CA1AA	2			29				DECAL, Hood, ACR Silver
	0SZ22GX9AA	2			29				Black



VIPER GTS COUPE,VIPER RT/10 ROADSTER (SR)

SERIES	LINE	BODY	ENGINE	TRANSMISSION
S = RT/10	D = DODGE	27 = 2-DR CONVERTIBLE	EWB = Engine - 8.0L V10 SFI	DEC = 6-Speed Manual
S = GTS Coupe		29 = SPECIALTY COUPE	EW0 = All 8.0L Gas	DBB = All Manual
X = GTS/Lemans				

AR = use ase required - = Non illustrated part

Group - ISR

Interior Trim

Group - ISR Interior Trim

Illustration Title

Group-Fig. No.

Headliner and Visor

Visors And Footrest Fig. ISR - 110
 Headliner Viper, Coupe Fig. ISR - 120

Quarter Panels and Scuff Plates

Quarter And Rear Bulkhead Panels Viper, Convertible Fig. ISR - 210
 Quarter And Rear Bulkhead Panels Viper, Coupe Fig. ISR - 215
 Door Sill Scuff Plate Fig. ISR - 220

Carpets, Mats and Insulation

Carpet, Front And Rear Fig. ISR - 320

Door Trim Panels-Front

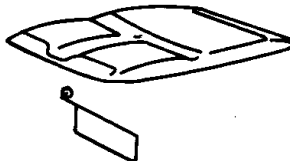
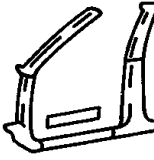
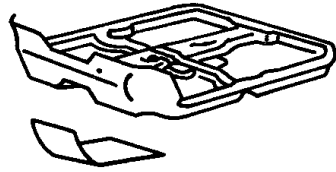
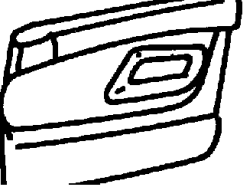
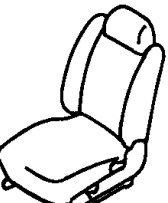
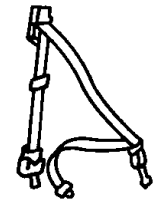
Door Panels Fig. ISR - 410

Front Seats

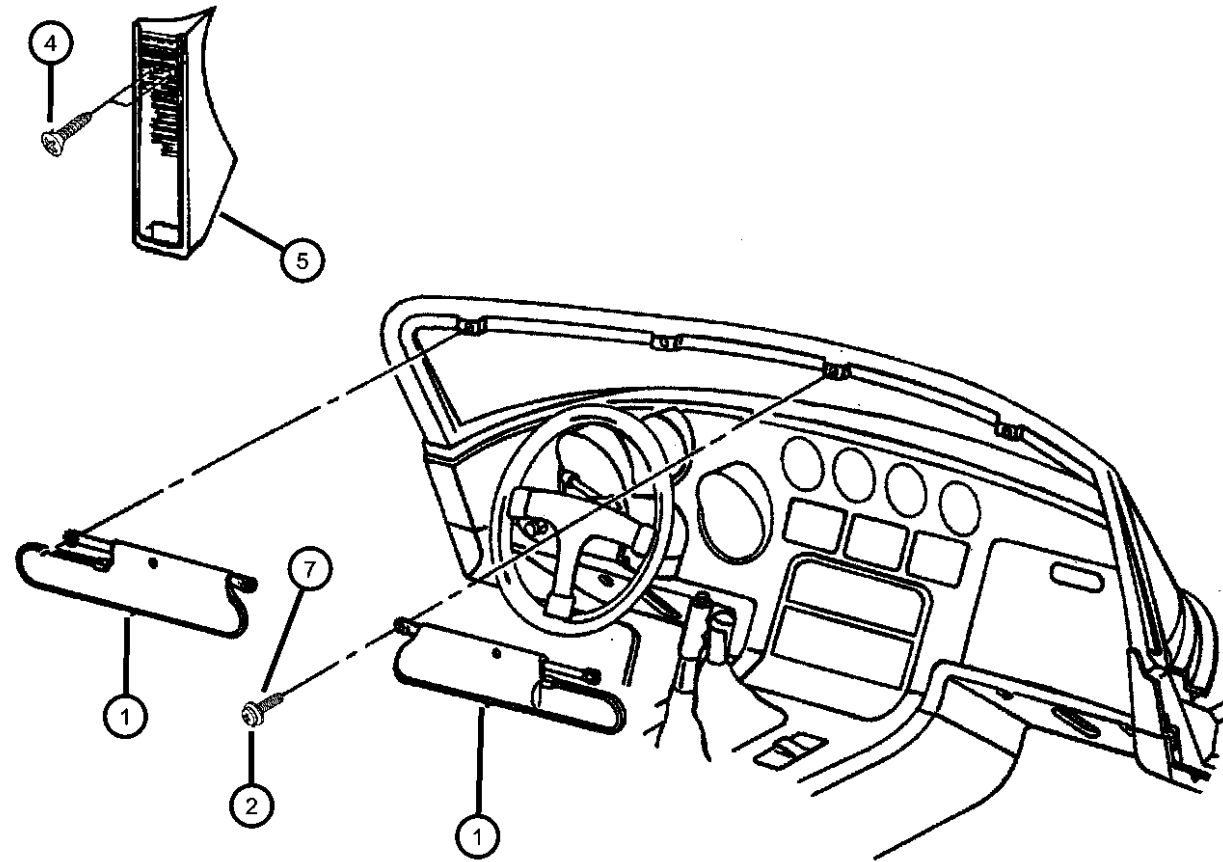
Seat, Front Fig. ISR - 510

Seat Belts Front-Outer and Inner

Belts - Front Seat Fig. ISR - 710
 Belts - Front Seat (5-Point Restraint - Competition Group) Fig. ISR - 720

<p>ISR-100 Headliner and Visor</p> 	<p>ISR-200 Quarter Panels and Scuff Plates</p> 	<p>ISR-300 Carpets, Mats and Insulation</p> 	<p>ISR-400 Door Trim Panels-Front</p> 
<p>ISR-500 Front Seats</p> 	<p>ISR-700 Seat Belts Front-Outer and Inner</p> 		

Visors And Footrest
Figure ISR-110



ITEM	PART NUMBER	QTY	LINE	SERIES	BODY	ENGINE	TRANS	TRIM	DESCRIPTION
1	0SE32DX9AC	1						*00	Right
	0SE33DX9AC	1						*00	Left
2	06032723	4			27				SCREW, Self Tapping, M4.2x1.69x19.05, Visor Attaching (.164-15x.750)
-3	06032723	4							SCREW, .190-16x.500, Model 29 Visor screws not serviced, (NOT SERVICED)
4	06032723	4							SCREW, [.164-18x.625], (NOT SERVICED)
5	06032723	4							FOOTREST, Part Of Frame Chassis, (NOT SERVICED)
-6									LABEL, Air Bag Warning
	04595748AA	1			29			*00	Removable - Dash
		1			27			*00	Removable - Dash
	04595749AA	1							Canada Only
	55350848AA	2							Sunvisor (English/French) (Canada Only)
7									CAP
	0RC76DX9AA	1			27			*00	Visor, Windshield Surround Mounting, Right
	0RC77DX9AA	1			27			*00	Visor, Windshield Surround Mounting, Left

VIPER GTS COUPE,VIPER RT/10 ROADSTER (SR)

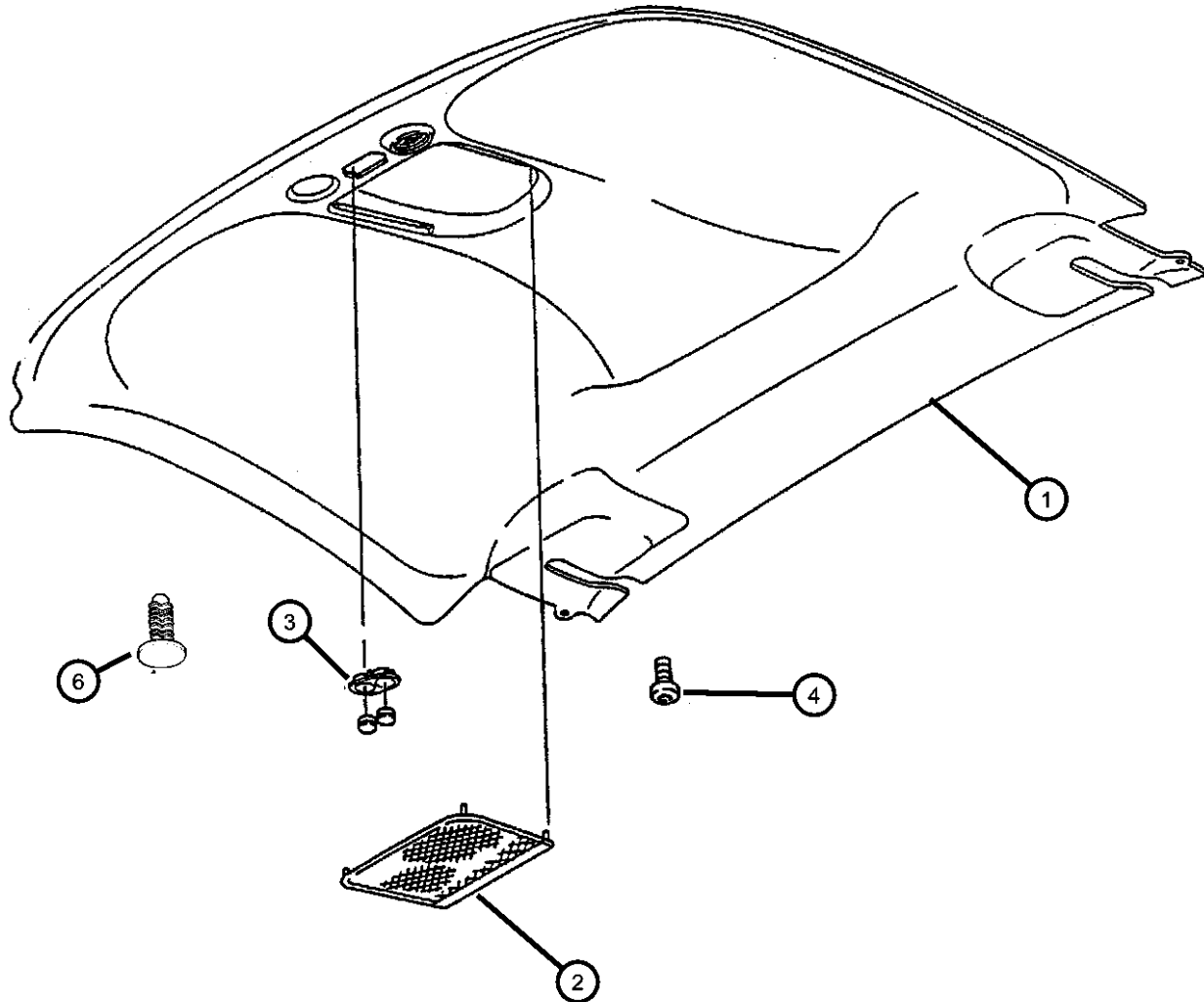
SERIES	LINE	BODY	ENGINE	TRANSMISSION
S = RT/10	D = DODGE	27 = 2-DR CONVERTIBLE	EWB = Engine - 8.0L V10 SFI	DEC = 6-Speed Manual
S = GTS Coupe		29 = SPECIALTY COUPE	EW0 = All 8.0L Gas	DBB = All Manual
X = GTS/Lemans				

AR = use ase required - = Non illustrated part

2001 SR

Headliner Viper, Coupe
Figure ISR-120

ITEM	PART NUMBER	QTY	LINE	SERIES	BODY	ENGINE	TRANS	TRIM	DESCRIPTION
1	0LC06DX9AB	1			29			*00	PANEL, Headliner, Includes Dome Lamp, Not Serviced Seperate
2	0PB58DX9	1			29			*00	NET, Cargo, Overhead Storage
3	0QE54DX9	1			29			*00	BEZEL KIT, HEADLINER
4	06032723	2			29				SCREW, Self Tapping, M4.2x1.69x19.05
-5	06031869	2			29				NUT, Push, .19
6	0QK37SX9	6			29			*00	RETAINER, Headliner, Headliner Attaching



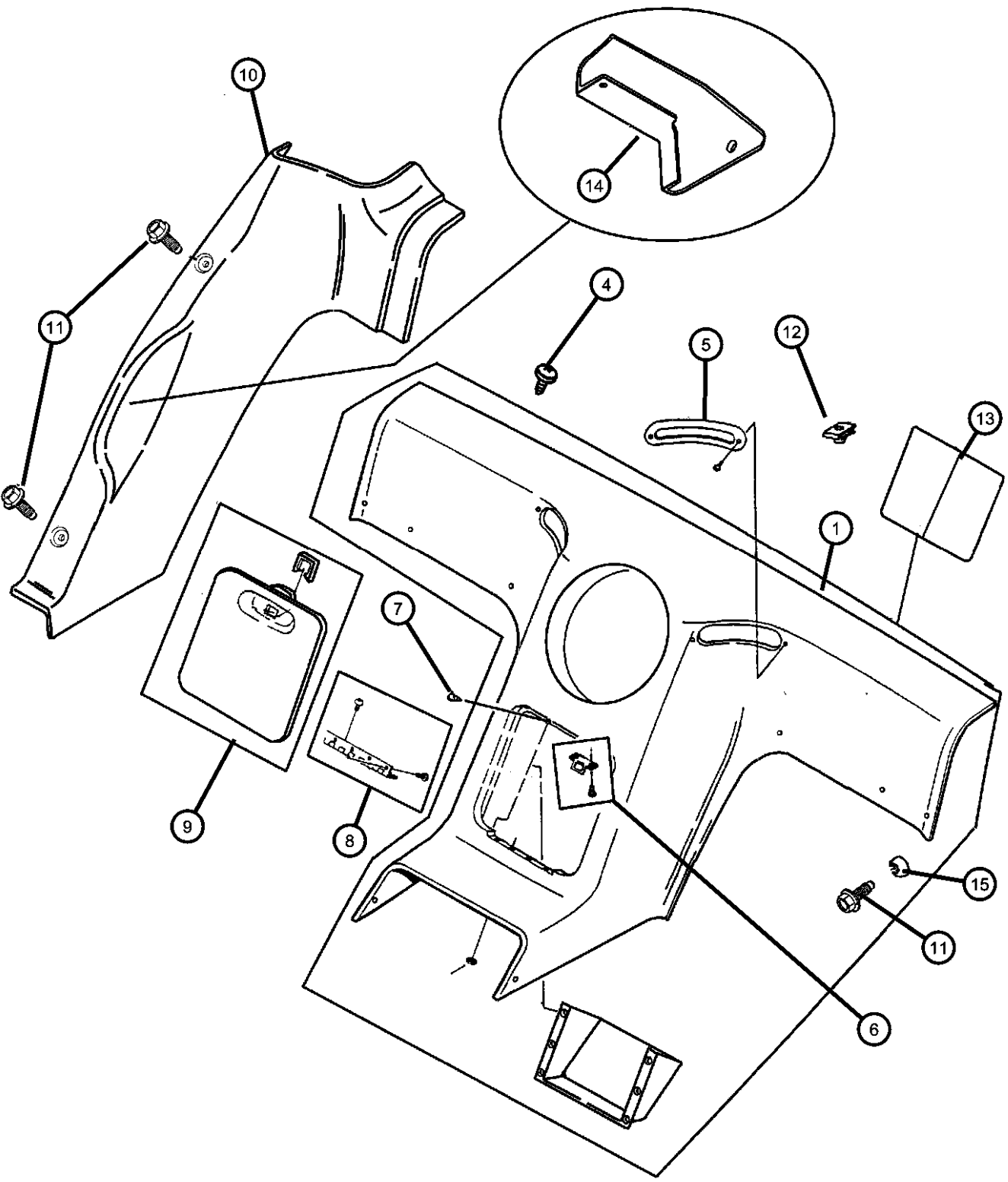
VIPER GTS COUPE,VIPER RT/10 ROADSTER (SR)

SERIES	LINE	BODY	ENGINE	TRANSMISSION
S = RT/10	D = DODGE	27 = 2-DR CONVERTIBLE	EWB = Engine - 8.0L V10 SFI	DEC = 6-Speed Manual
S = GTS Coupe		29 = SPECIALTY COUPE	EW0 = All 8.0L Gas	DBB = All Manual
X = GTS/Lemans				

AR = use ase required - = Non illustrated part

2001 SR

**Quarter And Rear Bulkhead Panels Viper, Convertible
Figure ISR-210**



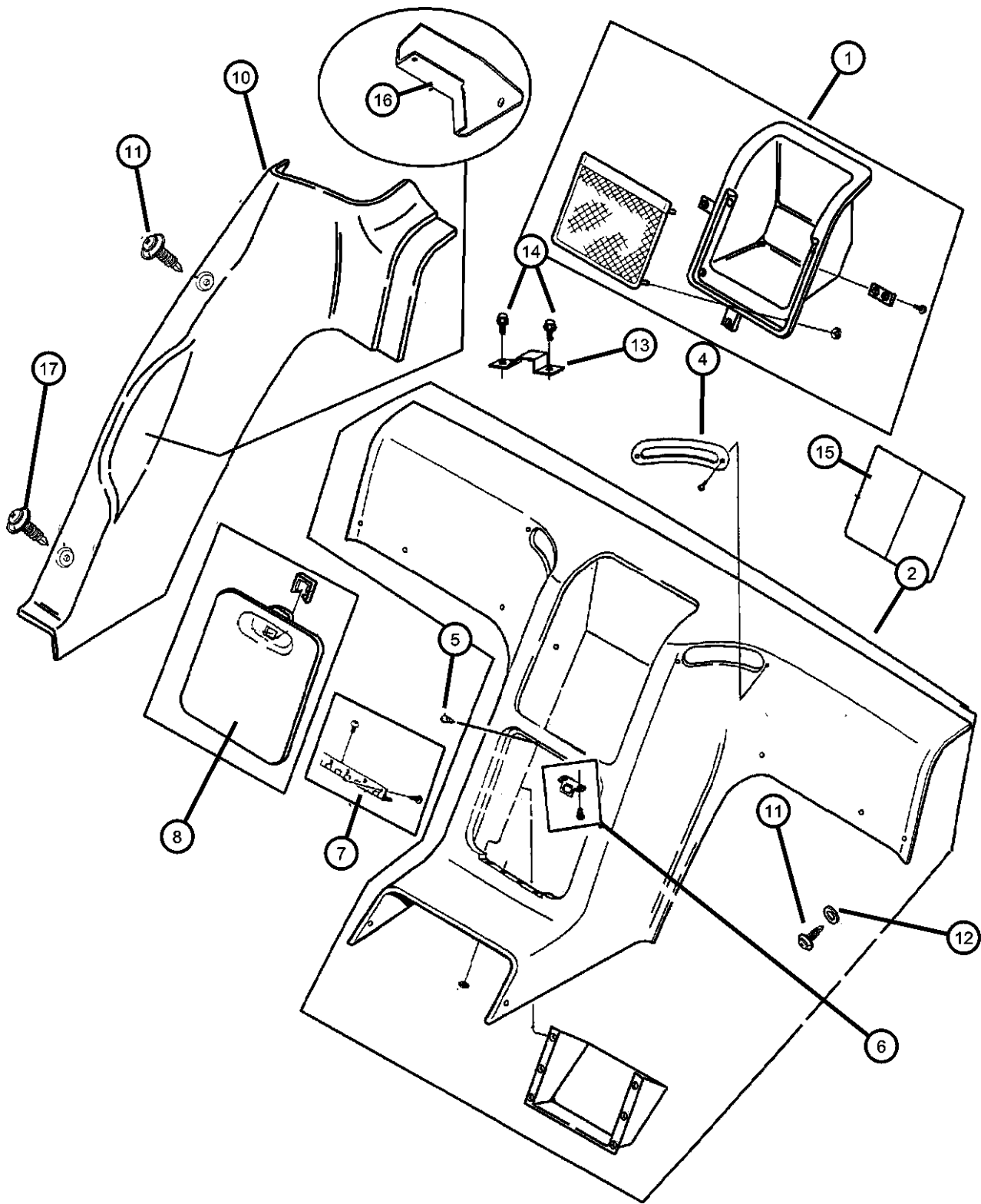
ITEM	PART NUMBER	QTY	LINE	SERIES	BODY	ENGINE	TRANS	TRIM	DESCRIPTION
1	0QB891X7AC	1			27			*00	PANEL, Bulkhead Trim
-2	0P894DX9	1			27			*00	LATCH, Glovebox
-3	06502871	4			27			*00	BOLT, M6.3x22.80
4	06035085	4			27				SCREW, Tapping, .164-15x1
5									BEZEL, Seat Belt
	0HC76LX9	1			27			*00	Right
	0HC81LX9	1			27			*00	Left
6	04874868	1			27			*00	STRIKER, Glove Box Door Latch
7	04763504	2			27			*00	BUMPER, Console Lid
8	04874869	1			27			*00	HINGE, Glovebox
9	0RE851X7AB	1			27			*00	DOOR, Rear Cargo
10									PANEL, Quarter Trim
	0PS121X7AD	1			27			*00	Right
	0PS131X7AD	1			27			*00	Left
11	06505390AA	4							SCREW, Oval Head
12	06035451	5			27				NUT/SPRING, "U"1THD, For .164-15 Screw
13									PATCH, Floor Pan Rear Corner
	04848863AB	2							Child Seat Tether Anchor Right
	04848864AA	1							Right
	04848865AA	1							Left
14									COVER, Quarter Trim Opening
	0QV58DX9AB	1			27			*00	Right
	0QV59DX9AB	1			27			*00	Left
15	55176291	1			27			*00	BUMPER, Steel Insert

VIPER GTS COUPE,VIPER RT/10 ROADSTER (SR)

SERIES	LINE	BODY	ENGINE	TRANSMISSION
S = RT/10	D = DODGE	27 = 2-DR CONVERTIBLE	EWB = Engine - 8.0L V10 SFI	DEC = 6-Speed Manual
S = GTS Coupe		29 = SPECIALTY COUPE	EW0 = All 8.0L Gas	DBB = All Manual
X = GTS/Lemans				

AR = use ase required - = Non illustrated part

Quarter And Rear Bulkhead Panels Viper, Coupe
Figure ISR-215



ITEM	PART NUMBER	QTY	LINE	SERIES	BODY	ENGINE	TRANS	TRIM	DESCRIPTION
1	04874859	1			29			*00	BIN, Floor Console
2	0LC171X7AE	1			29			*00	PANEL, Bulkhead Trim
-3	06502871	4			29			*00	BOLT, M6.3x22.80
4									BEZEL, Seat Belt
	0HC76LX9	1			29			*00	Right
	0HC81LX9	1			29			*00	Left
5	04763504	2			29			*00	BUMPER, Console Lid
6	04874868	1			29			*00	STRIKER, Glove Box Door Latch
7	04874869	1			29			*00	HINGE, Glovebox
8	0SB951X7AA	1			29			*00	DOOR, Rear Cargo, w/o Latch (P894DX9), Locking
-9	0P894DX9	1			29			*00	LATCH, Glovebox
10									PANEL, Quarter
	0QL021X7AE	1			29			*00	Right
	0QL031X7AE	1			29			*00	Left
11	06505390AA	4			29				SCREW, Oval Head
12	55176291	1			29			*00	BUMPER, Steel Insert
13									BRACKET, Quarter Trim
	04854292AA	1			29				Right
	04854293AA	1			29				Left
14	06034384	4			29				SCREW, Pan Head, .437-20x1.15
15									PATCH, Floor Pan Rear Corner
	04848863AB	2							Child Tether Seat Belt Anchor
	04848864AA	1							Right
	04848865AA	1							Left
16									COVER, Quarter Trim Opening
	0QV58DX9AB	1			29			*00	Right
		1			29			*00	Left
17	06505389AA	2							SCREW, Oval Head

VIPER GTS COUPE,VIPER RT/10 ROADSTER (SR)

SERIES	LINE	BODY	ENGINE	TRANSMISSION
S = RT/10	D = DODGE	27 = 2-DR CONVERTIBLE	EWB = Engine - 8.0L V10 SFI	DEC = 6-Speed Manual
S = GTS Coupe		29 = SPECIALTY COUPE	EW0 = All 8.0L Gas	DBB = All Manual
X = GTS/Lemans				

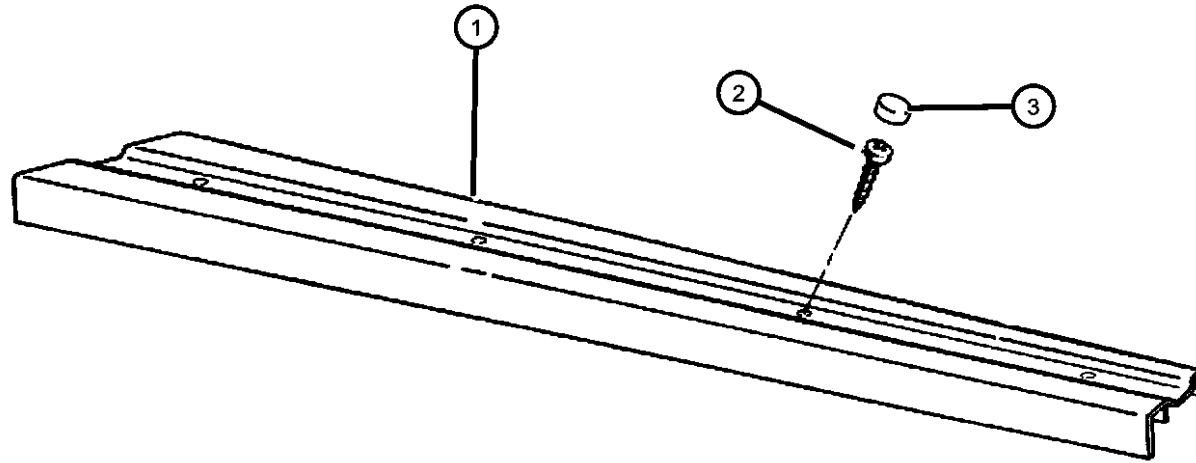
AR = use ase required - = Non illustrated part

2001 SR

Door Sill Scuff Plate
Figure ISR-220

ISR-220A

ITEM	PART NUMBER	QTY	LINE	SERIES	BODY	ENGINE	TRANS	TRIM	DESCRIPTION
1									SILL COVER, Interior
	0KS20DX9AC	1						*00	Right
	0KS21DX9AC	1						*00	Left
2	00154751	8							SCREW, Tapping, .164-18x1, Sill Cover Attaching
3	0MB68DX9	8						*00	PLUG, Console Trim, Sill Cover



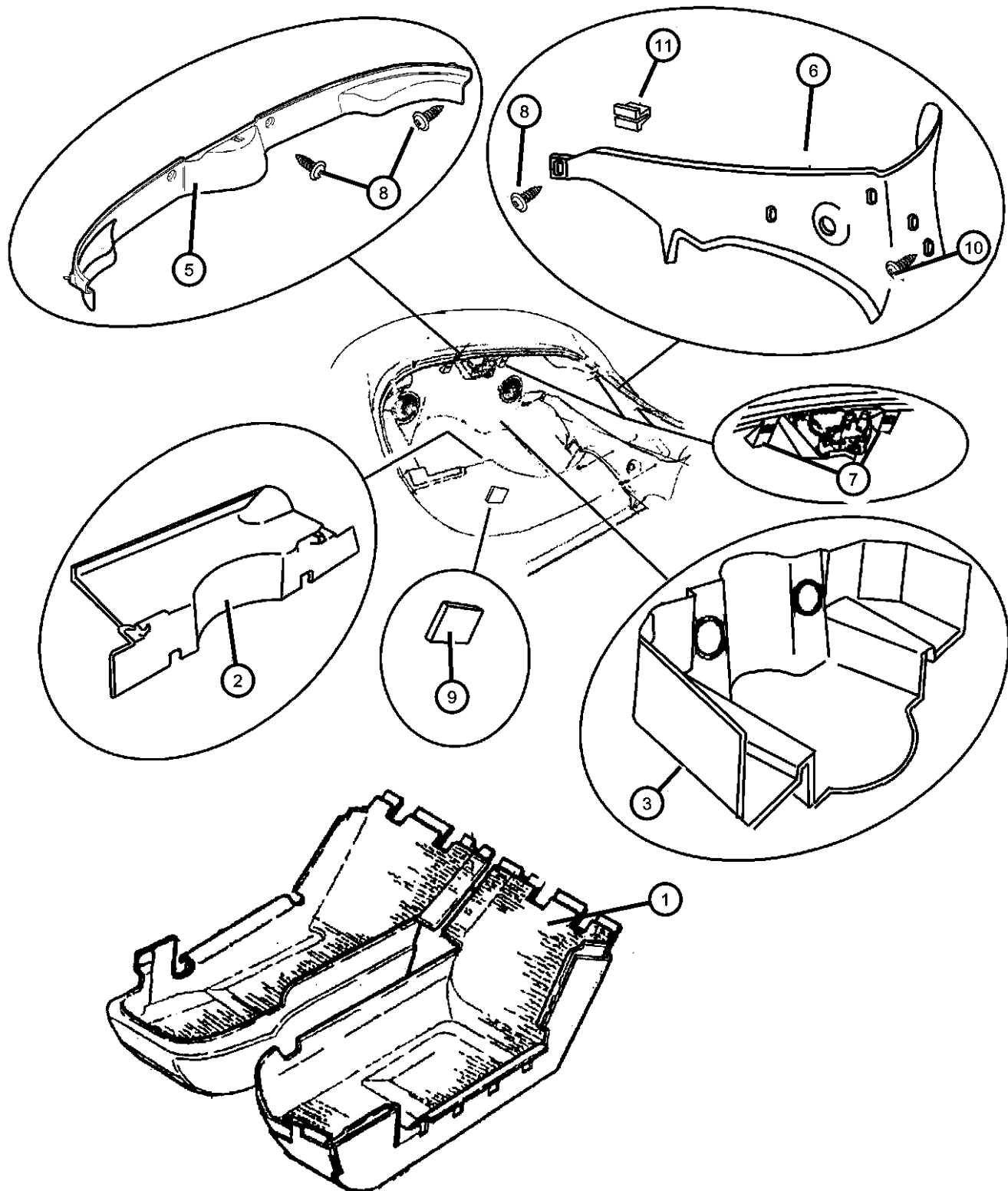
VIPER GTS COUPE,VIPER RT/10 ROADSTER (SR)

SERIES	LINE	BODY	ENGINE	TRANSMISSION
S = RT/10	D = DODGE	27 = 2-DR CONVERTIBLE	EWB = Engine - 8.0L V10 SFI	DEC = 6-Speed Manual
S = GTS Coupe		29 = SPECIALTY COUPE	EW0 = All 8.0L Gas	DBB = All Manual
X = GTS/Lemans				

AR = use ase required - = Non illustrated part

2001 SR

**Carpet, Front And Rear
Figure ISR-320**



ITEM	PART NUMBER	QTY	LINE	SERIES	BODY	ENGINE	TRANS	TRIM	DESCRIPTION
1	0QD06DX9AF	1						*00	CARPET, Front Floor w/o 5-Point Restraint (Black), Right
	0QD06WU-CAH	1						*00	w/o 5-Point Restraint (Cognac), Right
	0QD07DX9AC	1			27			*00	w/o 5-Point Restraint (Black), Left
	0QD07DX9AE	1			29			*00	w/o 5-Point Restraint (Black), Left
	0QD07DX9AF	1			29			*00	w/5-Point Restraint (Black), Left
	0QD07WUCAG	1			27			*00	Cognac, Left
2	0LC11DX9AC	1			29			*00	CARPET, Cargo Side Trim
3	0LC12DX9AB	1			29			*00	CARPET, Luggage Compartment, w/o Radio, Lower
-4	06505392AA	2			29				WASHER, Rubber Mount
5	0LC07BX7AD	1			29			*00	PANEL, Cargo Door Header TrimRear
6									PANEL, Cargo Door Header Trim
	0QK42BX7AB	1			29			*00	Right
	0QK43BX7AB	1			29			*00	Left
7	06031869	10			29				NUT, Push, .19
8	06031869	10							SCREW, (.190-16x1.00), (NOT SERVICED)
9	04709275	2							PAD, Bulkhead Spacer
10	06505390AA	4							SCREW, Oval Head
11	06031869	3			29				NUT, Push, .19

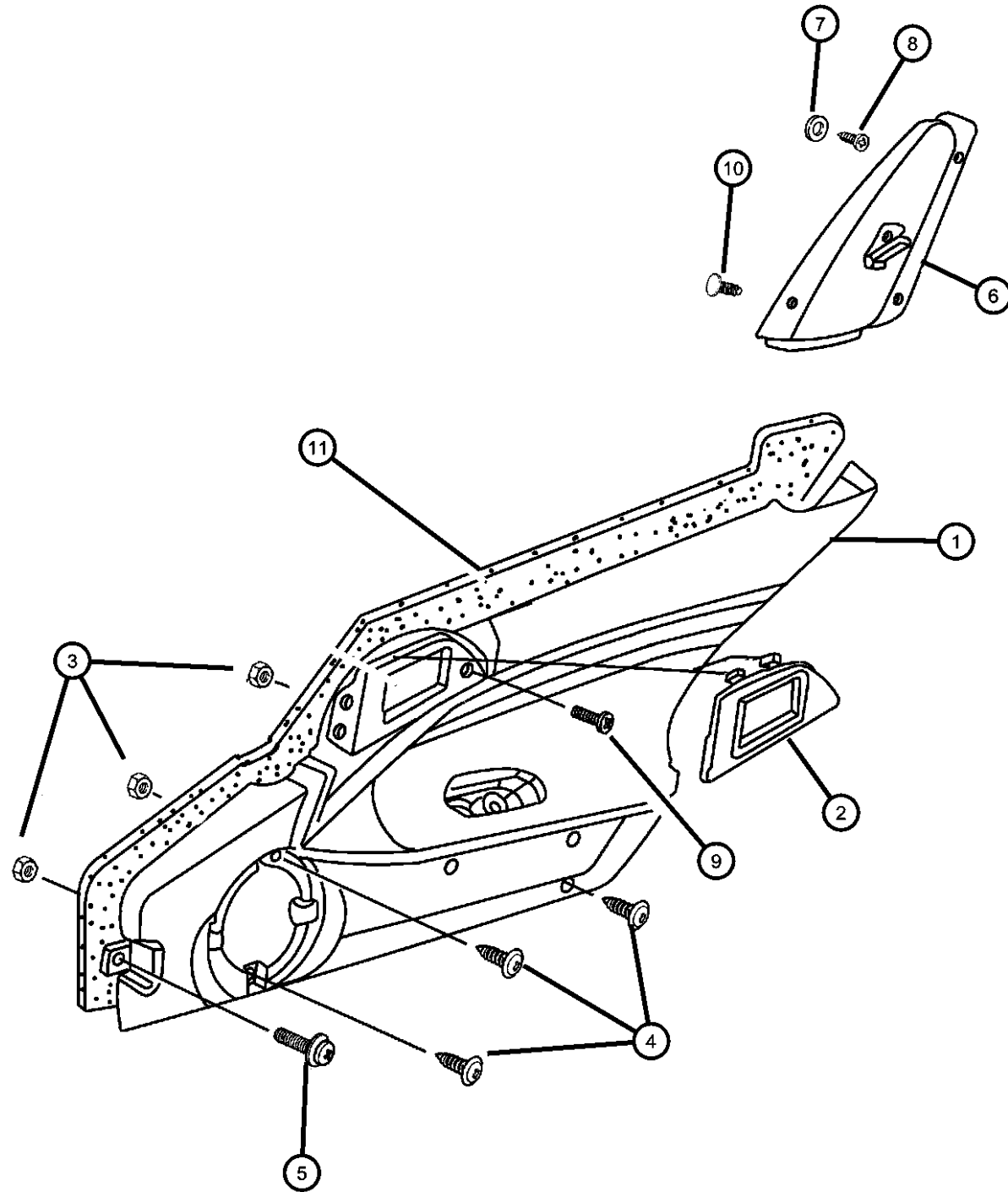
VIPER GTS COUPE,VIPER RT/10 ROADSTER (SR)

SERIES	LINE	BODY	ENGINE	TRANSMISSION
S = RT/10	D = DODGE	27 = 2-DR CONVERTIBLE	EWB = Engine - 8.0L V10 SFI	DEC = 6-Speed Manual
S = GTS Coupe		29 = SPECIALTY COUPE	EW0 = All 8.0L Gas	DBB = All Manual
X = GTS/Lemans				

AR = use ase required - = Non illustrated part

2001 SR

Door Panels
Figure ISR-410



ITEM	PART NUMBER	QTY	LINE	SERIES	BODY	ENGINE	TRANS	TRIM	DESCRIPTION
NOTE - RA8 = RADIO - DELETE									
1	0QS021UCAM	1						*O0	PANEL, Door Trim Front Cognac, With Full Audio System, Right
	0QS021X9AM	1						*O0	Black, With Full Audio System, Right
	0QS021X7AN	1			29			*O0	Black, With [RA8], Right
	0QS031UCAM	1						*O0	Cognac, With Full Audio System, Left
	0QS031X9AM	1						*O0	Black, With Full Audio System, Left
	0QS031X7AN	1			29			*O0	Black, With [RA8], Left
2	0QS031X7AN	1							BEZEL, Remote Control, (NOT REQUIRED),
3	06031869	3			29				NUT, Push, .19
4	06031869	3							SCREW, Self Tapping, M4.2x1.69x19.05, (.190-16x1.00), (NOT SERVICED)
5	06031869	3							SCREW, (.164-18x.750), (NOT SERVICED)
6	0ME68JX8AB	1			29			*O0	COVER, B Pillar Trim Panel Right, Inner
	0ME69JX8AB	1			29			*O0	Left, Inner
	0QB92JX8	1			27			*O0	Right, Inner
	0QB93JX8	1			27			*O0	Left, Inner
7	55176291	1			29				BUMPER, Steel Insert
		1			27			*O0	
8	06101973	6			29				SCREW, Pan Head, M5X0.80X8.00, (Black)
9	06101973	6							SCREW, (.190-16x1.500), (NOT SERVICED)
10	04658887	AR							PUSH PIN, Front Door Glass Run With Weatherstrip
11	04763796AD	1							WATERSHIELD, Front Door Right
	04763797AD	1							Left
-12	06503709	1						*O0	PIN, Door Panel

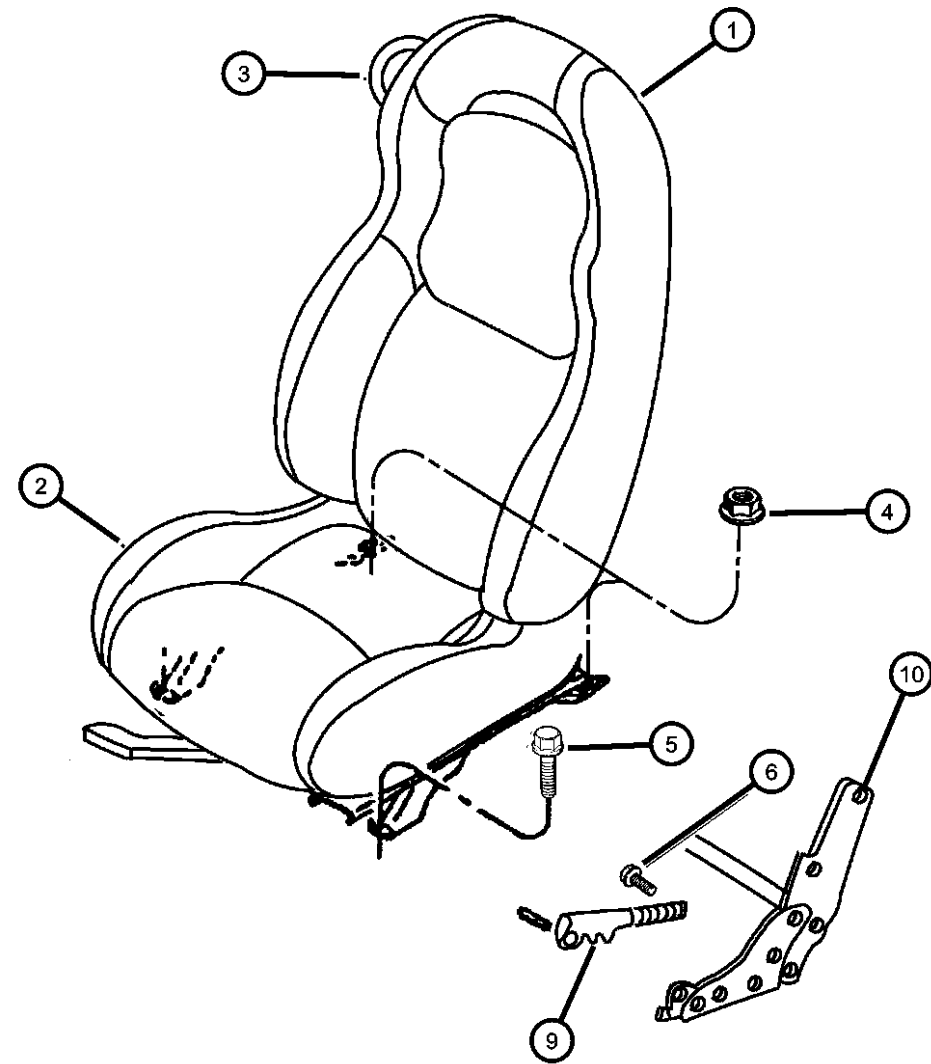
VIPER GTS COUPE,VIPER RT/10 ROADSTER (SR)

SERIES	LINE	BODY	ENGINE	TRANSMISSION
S = RT/10	D = DODGE	27 = 2-DR CONVERTIBLE	EWB = Engine - 8.0L V10 SFI	DEC = 6-Speed Manual
S = GTS Coupe		29 = SPECIALTY COUPE	EW0 = All 8.0L Gas	DBB = All Manual
X = GTS/Lemans				

AR = use ase required - = Non illustrated part

2001 SR

Seat, Front
Figure ISR-510



ITEM	PART NUMBER	QTY	LINE	SERIES	BODY	ENGINE	TRANS	TRIM	DESCRIPTION
1									SEAT BACK, Front
	0SN601X9AA	1						*CL	(Black), Right
	0SN611X9AA	1						*CL	(Black), Left
	0SN781UCAA	1						*ML	(Black/Cognac), Right
	0SN791UCAA	1						*ML	(Black/Cognac), Left
	0UT781XRAA	1						*CL	(Black/Red), Right
		1						*CL	(Black/Red), Left
2									CUSHION, Front Seat
	0SN591X9AA	1						*CL	(Black)
	0SN771UCAA	1						*ML	(Black/Cognac)
	0UT731XRAA	1						*CL	(Black/Red)
3	0QE631X9	1						*CL	GUIDE, Seat Belt
4	06504572	4							NUT AND WASHER, Hex Nut-Coned Washer, M8 x 1.25, Rear Seat To Floor Pan Attaching
5	06503354	4							SCREW AND WASHER, Hex Head, M8x1.25x25, Seat Track To Floor Riser
6	04773266	1						*CL	PIN, Actuator Front
-7	05013600AA	1						*CL	TRACK, Seat Adjuster
-8	04874889	1						*CL	BULB, Lumbar Support
9	05013601AA	1						*CL	WIRE, Seat Adjuster Manaul
10	05013601AA	1							HINGE, Seat, (NOT REQUIRED)

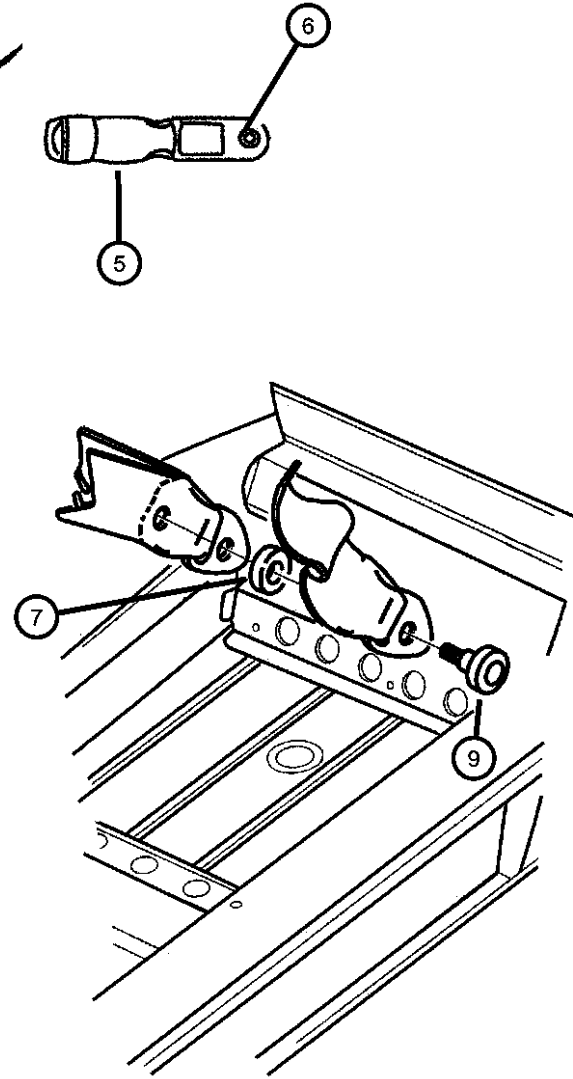
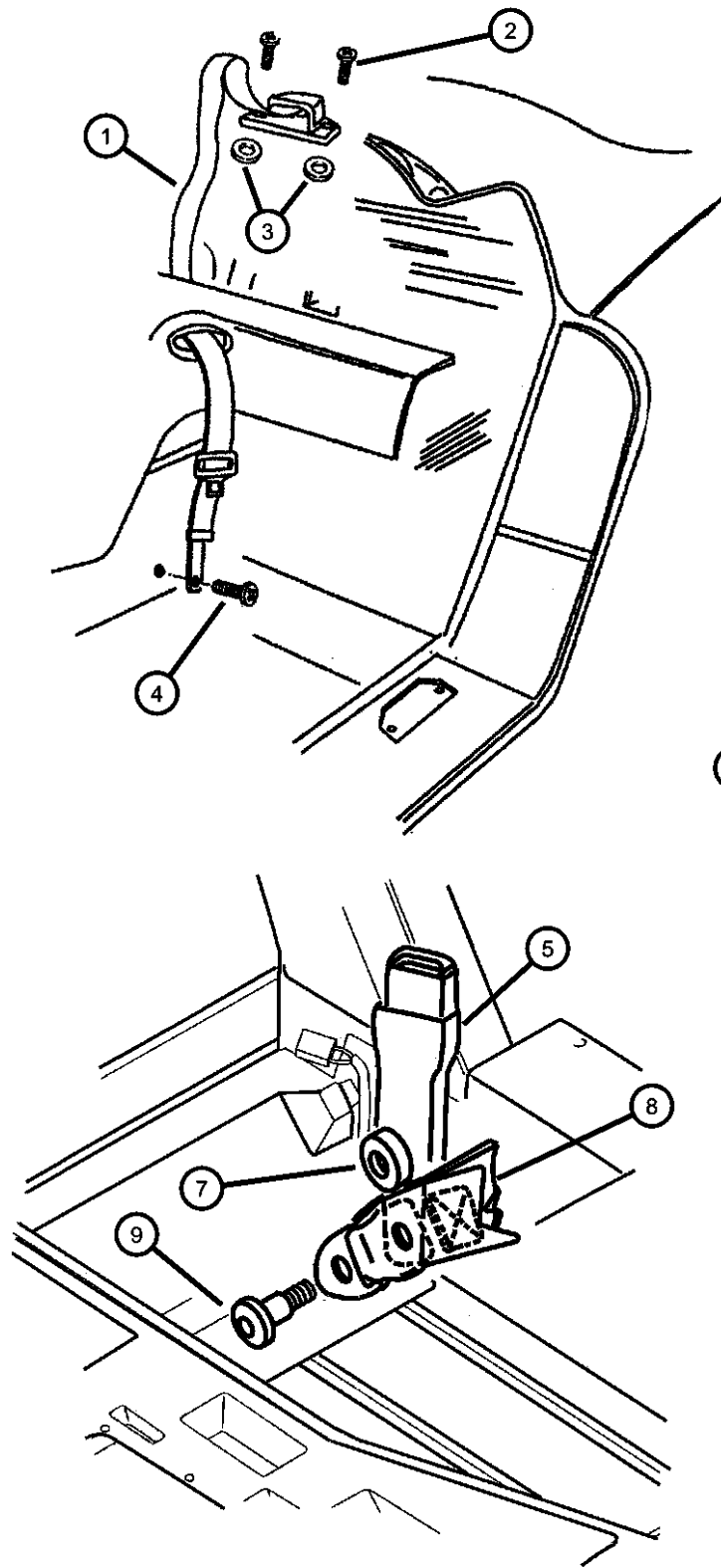
VIPER GTS COUPE,VIPER RT/10 ROADSTER (SR)

SERIES	LINE	BODY	ENGINE	TRANSMISSION
S = RT/10	D = DODGE	27 = 2-DR CONVERTIBLE	EWB = Engine - 8.0L V10 SFI	DEC = 6-Speed Manual
S = GTS Coupe		29 = SPECIALTY COUPE	EW0 = All 8.0L Gas	DBB = All Manual
X = GTS/Lemans				

AR = use ase required - = Non illustrated part

2001 SR

Belts - Front Seat
Figure ISR-710



ITEM	PART NUMBER	QTY	LINE	SERIES	BODY	ENGINE	TRANS	TRIM	DESCRIPTION
1	OMB86SX9	2							SEAT BELT, Front
		2						*O0	Domestic and Canada
		2						*O0	Mexico
2	06034383	4							SCREW, Pan Head, .437-20x1.5
3	04708494	4							SPACER, Seat Belt Retainer
4	06034457	2							SCREW, Pan Head, .437-20x1.375
5									SEAT BELT, Buckle Half
	04848718	1							Right
	04848719AB	1							Left
6	06034389	1							SCREW, Pan Head Shoulder, .437-20x1.87, Buckle Assy Attaching
7	06036185AA	4			29				SPACER, Lap Belt Anchor
8									SEAT BELT, Front
	04854438AA	1			29				5-Point Seat Belt Harness, Right
	04854439AA	1			29				5-Point Seat Belt Harness, Left
9	06034459	4			29				SCREW, Pan Head, .437-20x1.875, Lap Belt Anchor
-10	05260606	1						*CL	EXTENDER, Seat Belt

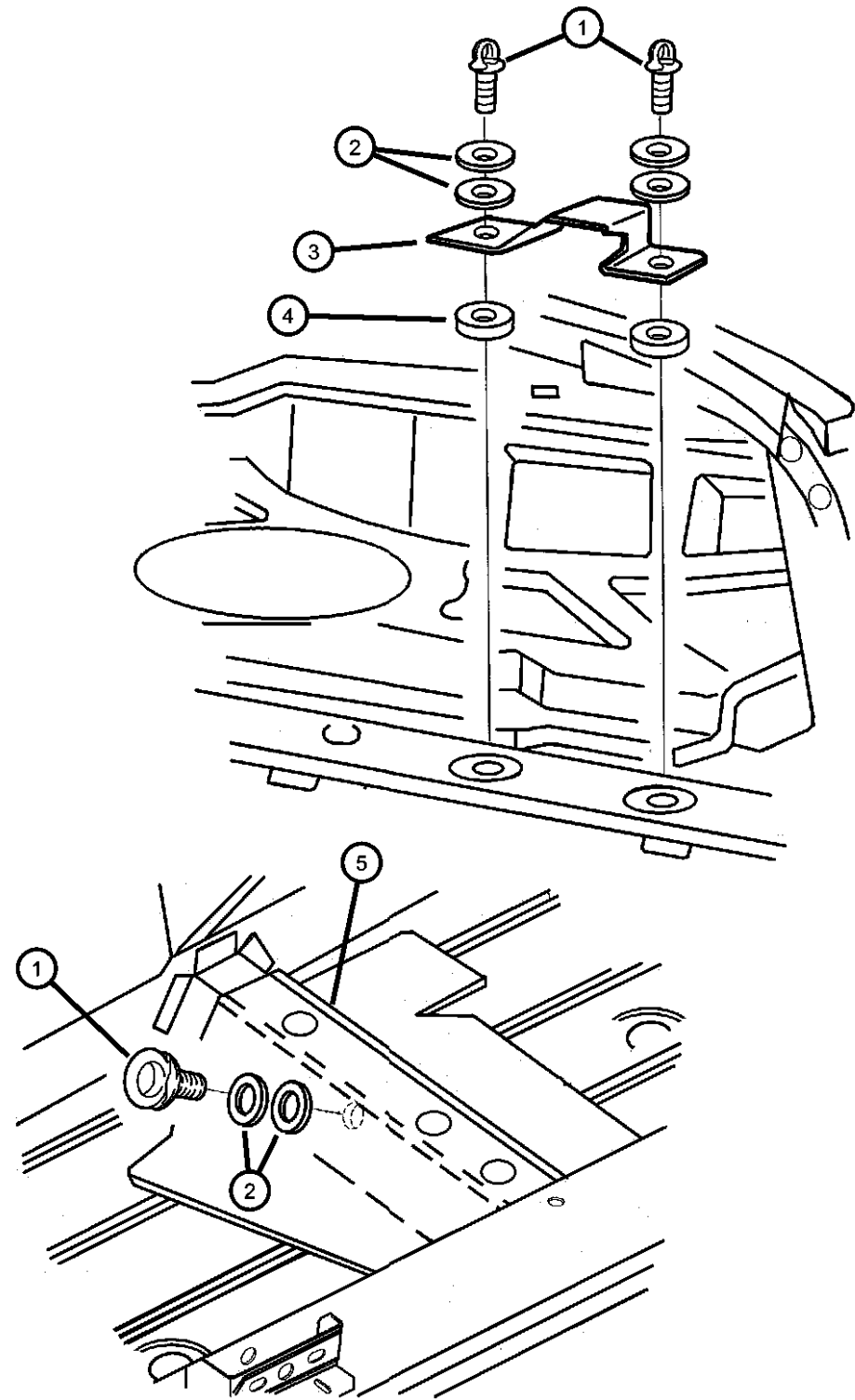
VIPER GTS COUPE,VIPER RT/10 ROADSTER (SR)

SERIES	LINE	BODY	ENGINE	TRANSMISSION
S = RT/10	D = DODGE	27 = 2-DR CONVERTIBLE	EWB = Engine - 8.0L V10 SFI	DEC = 6-Speed Manual
S = GTS Coupe		29 = SPECIALTY COUPE	EW0 = All 8.0L Gas	DBB = All Manual
X = GTS/Lemans				

AR = use ase required - = Non illustrated part

2001 SR

Belts - Front Seat (5-Point Restraint - Competition Group)
Figure ISR-720



ITEM	PART NUMBER	QTY	LINE	SERIES	BODY	ENGINE	TRANS	TRIM	DESCRIPTION
1	06036263AA	4			29				BOLT, Eye
2	06036183AA	6			29				WASHER, Flat Top
	06036184AA	6			29				Bottom
3	04854292AA	1			29				BRACKET, Quarter Trim Right
	04854293AA	1			29				Left
4	04708494	4							SPACER, Seat Belt Retainer
5	04708494	4							FRAME, Reference Only, (NOT SERVICED)

VIPER GTS COUPE,VIPER RT/10 ROADSTER (SR)

SERIES	LINE	BODY	ENGINE	TRANSMISSION
S = RT/10	D = DODGE	27 = 2-DR CONVERTIBLE	EWB = Engine - 8.0L V10 SFI	DEC = 6-Speed Manual
S = GTS Coupe		29 = SPECIALTY COUPE	EW0 = All 8.0L Gas	DBB = All Manual
X = GTS/Lemans				

AR = use ase required - = Non illustrated part

Group - SSR

Body Sheet Metal Except Doors

Group - SSR Body Sheet Metal Except Doors

Illustration Title

Group-Fig. No.

Floor Pan

Floor Pan Fig. SSR - 210

Fender

Fender Shield..... Fig. SSR - 410

Hood & Hood Release

Hood Release And Hinge..... Fig. SSR - 510

Cowl and Dash Panel

Cowl And Dash Panel..... Fig. SSR - 610

Glass, Windshield, Backlite, Mirror

Glass Windshield, Frame And Mirror (Convertible)..... Fig. SSR - 710

Glass Windshield Frame And Mirror Viper Coupe..... Fig. SSR - 715

Glass, Backlite Hardtop..... Fig. SSR - 720

Quarter Panel

Rear Quarter Panel Fig. SSR - 910

Splash Shields

Loose Panel Fig. SSR - 1010

Roof - Hard & Folding Top

Sport Cap Fig. SSR - 1110

Toupette Assembly-top Fig. SSR - 1120

Hard Top Convertible Fig. SSR - 1125

Roof Panel Viper Coupe Fig. SSR - 1130

Deck Lid

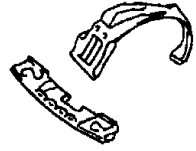
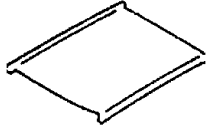
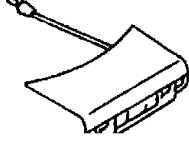
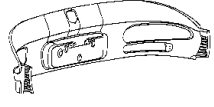
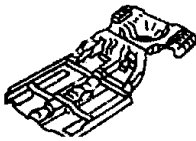
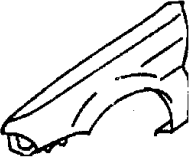
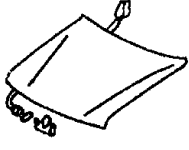
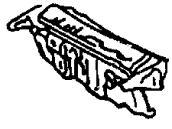

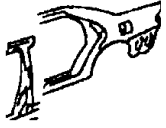
Deck Lid..... Fig. SSR - 1310

Deck Lid Weatherstrip And Latch Fig. SSR - 1320

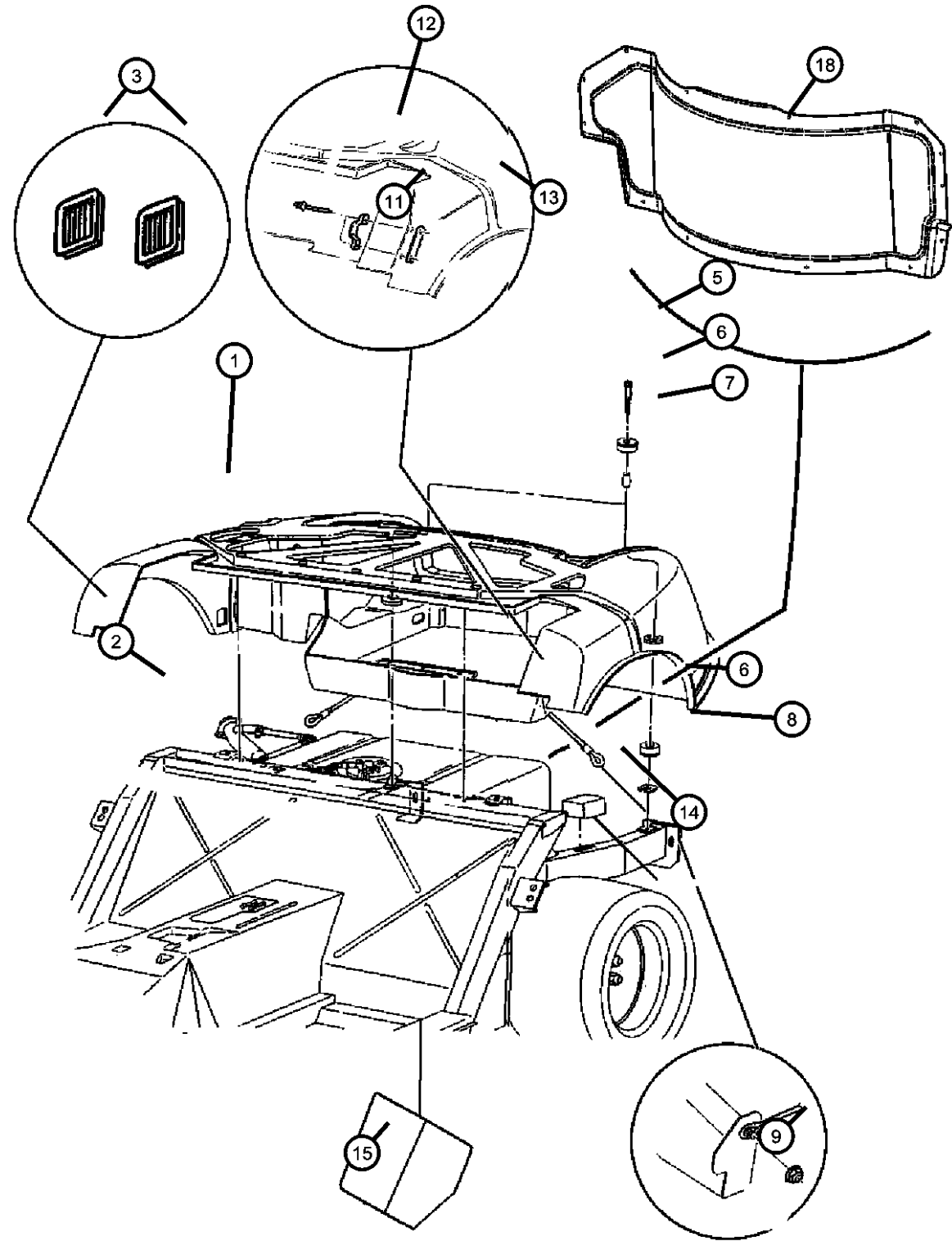
Fuel Filler Door Fig. SSR - 1330

Rear Shelf Panel

Rear Shelf Panel Viper, Coupe..... Fig. SSR - 1410

<p>SSR-1000 Splash Shields</p> 	<p>SSR-1100 Roof - Hard & Folding Top</p> 	<p>SSR-1300 Deck Lid</p> 	<p>SSR-1400 Rear Shelf Panel</p> 
<p>SSR-200 Floor Pan</p> 	<p>SSR-400 Fender</p> 	<p>SSR-500 Hood & Hood Release</p> 	<p>SSR-600 Cowl and Dash Panel</p> 
<p>SSR-700 Glass, Windshield, Backlite, Mirror</p> 	<p>SSR-900 Quarter Panel</p> 		

**Floor Pan
Figure SSR-210**



ITEM	PART NUMBER	QTY	LINE	SERIES	BODY	ENGINE	TRANS	TRIM	DESCRIPTION
1									PAN, Trunk
	04848187AC	1			27				
	04865434AA	1			29				
2	04865434AA	1							FRAME, (Reference Only) See Group 13, (NOT SERVICED)
3	04848591	4			29				EXHAUSTER, Bodyside Aperture
-4	04848818AB	2			29				COVER, Trunk Exhauster
5	06502688	2							SCREW AND WASHER, Hex Head, M10x1.5x70
6	04642900	4							ISOLATOR, Rear Floor Pan To Frame
7									SPACER, Floor Pan Isolator
	04642902	2			27				
	04848189	2			29				
8									SHIM, Floor Pan Isolator
	04643353	AR							
	04848868AA	AR			27				One Inch
9	06503675	2							SCREW AND WASHER, Hex Head, M10x1.5x40
-10	04848419	4							PLUG, Floor Pan
11	55013666	2			27				FOOTMAN LOOP, Hold Down
12	06034646	7			27				RIVET, .197 Grip-.187-.375
13	04708256	2			27				PLATE, Footman Loop
14	04763477	2			27				CUSHION, Trunk Pan
15									PATCH, Floor Pan Rear Corner
	04848864AA	1							Right
	04848865AA	1							Left
-16	04708168	1			27				STRAP, Cargo Tie Down
-17	04848103	1			29				GASKET, Fuel Pump Cover Plate
18									PANEL, Fuel Tank Close Out
	04848582AB	1			27				
	05245558	1			29				

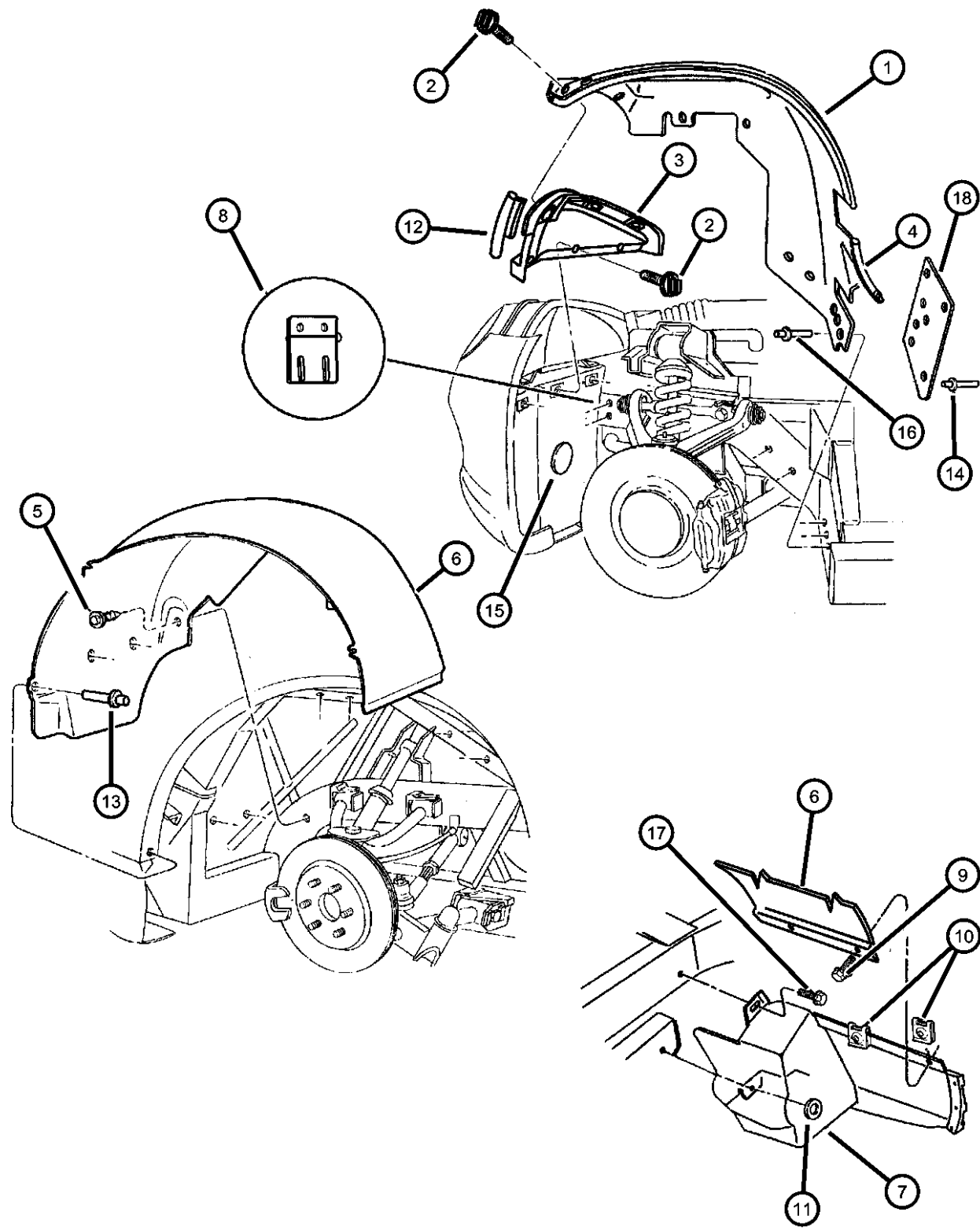
VIPER GTS COUPE,VIPER RT/10 ROADSTER (SR)

SERIES	LINE	BODY	ENGINE	TRANSMISSION
S = RT/10	D = DODGE	27 = 2-DR CONVERTIBLE	EWB = Engine - 8.0L V10 SFI	DEC = 6-Speed Manual
S = GTS Coupe		29 = SPECIALTY COUPE	EW0 = All 8.0L Gas	DBB = All Manual
X = GTS/Lemans				

AR = use ase required - = Non illustrated part

2001 SR

Fender Shield
Figure SSR-410



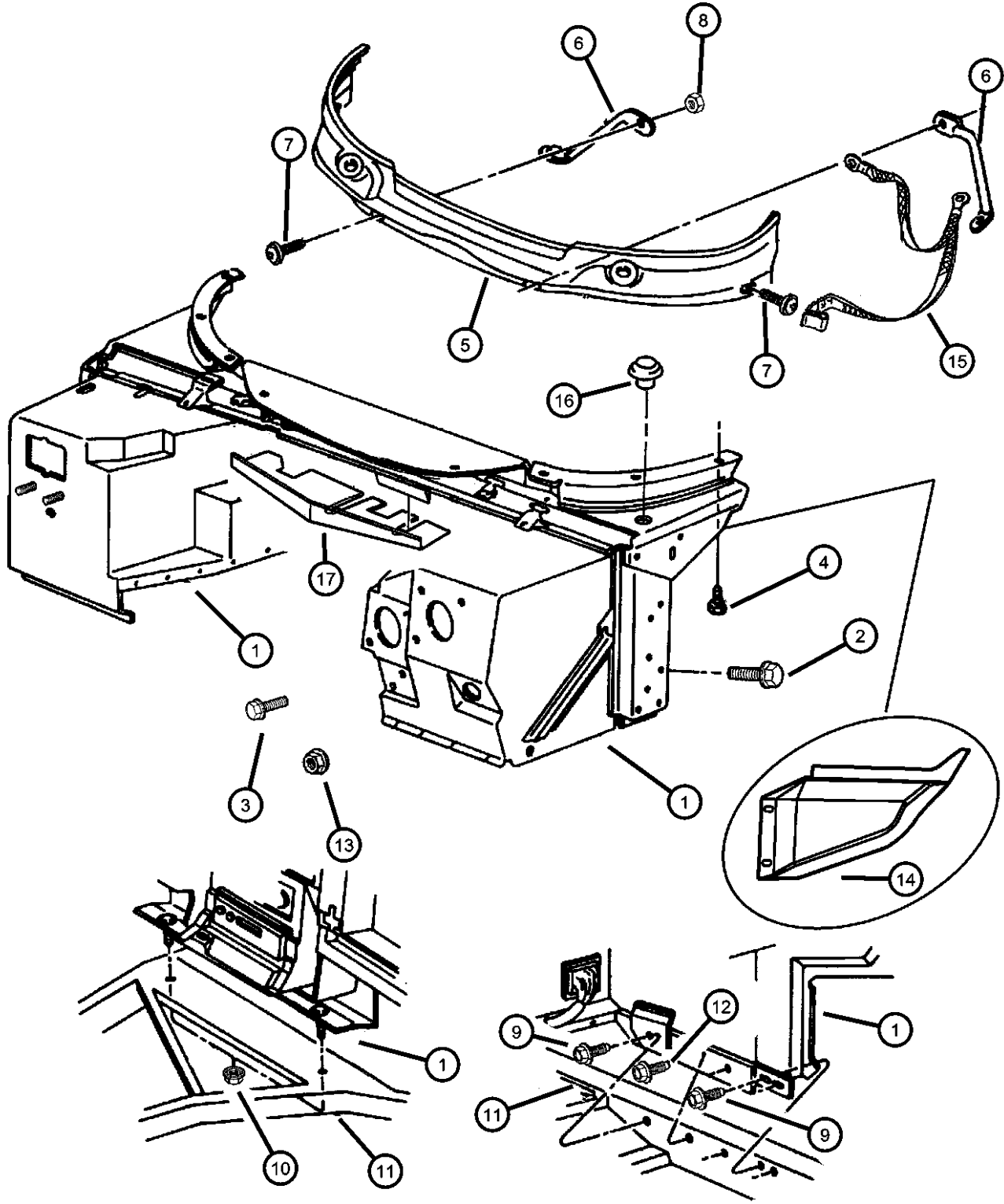
ITEM	PART NUMBER	QTY	LINE	SERIES	BODY	ENGINE	TRANS	TRIM	DESCRIPTION
1	04763824AC	1							SHIELD, Splash Right
	04763825AE	1							Left
2	04708180	12							SCREW, Splash Shield
3	04643504AB	1							SHIELD, Splash Right
	04643505AB	1							Left
4	04709030AB	2							WEATHERSTRIP, Front Splash to Hood
5	04709030AB	2							PUSH PIN, (6.3x22.8), (NOT SERVICED)
6	04763348AB	1							SHIELD, Splash Right
	04763349AB	1							Left
7	04709037	1							SHIELD, Splash Rear, Lower, Left
	04763092	1							Rear, Lower, Right
8	04709356	1							BRACKET, Bulkhead Right
	04709357	1							Left
9	00181063	3							SCREW AND WASHER, .25-20x.75
10	06029074	1							U-NUT, .25-20
11	06100877	3							WASHER, Flat, M6
12	04709031AB	2							WEATHERSTRIP, Front Splash to Hood
13	06034578	2			29				RIVET, .25 Grip.06-.25
14	06500911	4							RIVET, M6.25x28
15	04708057	2							PLUG, Trunk Seal
16	04708057	2							RIVET, (.250x.492), (NOT SERVICED)
17	04708057	2							PUSH PIN, (M6.3x22.80), (NOT SERVICED)
18	04708235	1							SHIELD, Wheelhouse

VIPER GTS COUPE,VIPER RT/10 ROADSTER (SR)

SERIES	LINE	BODY	ENGINE	TRANSMISSION
S = RT/10	D = DODGE	27 = 2-DR CONVERTIBLE	EWB = Engine - 8.0L V10 SFI	DEC = 6-Speed Manual
S = GTS Coupe		29 = SPECIALTY COUPE	EW0 = All 8.0L Gas	DBB = All Manual
X = GTS/Lemans				

AR = use ase required - = Non illustrated part

**Cowl And Dash Panel
Figure SSR-610**



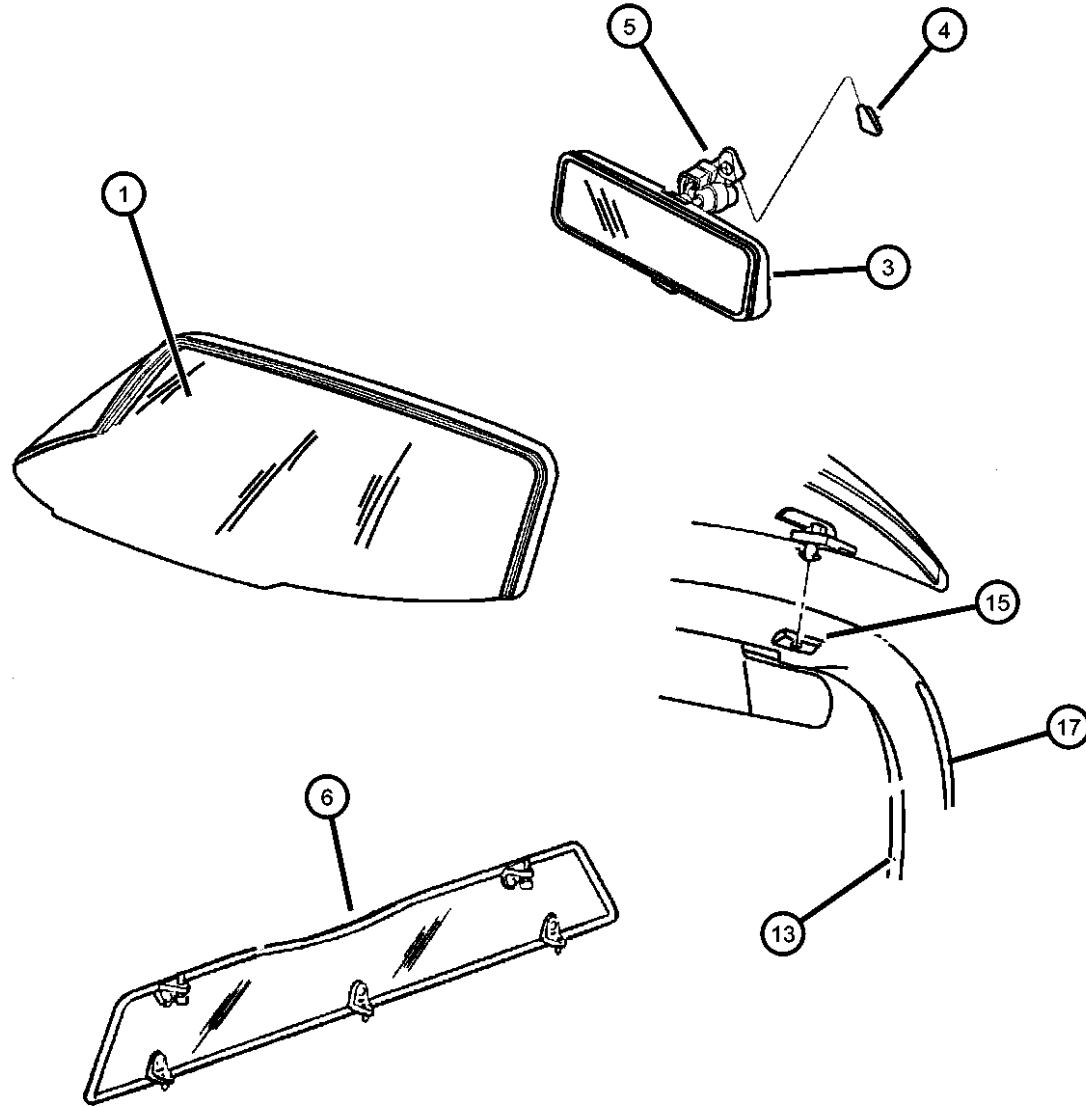
ITEM	PART NUMBER	QTY	LINE	SERIES	BODY	ENGINE	TRANS	TRIM	DESCRIPTION
1	04763547AB	1							PANEL, Dash
2	06101542	4							SCREW, Hex Head, M8-1.25 x 20
3	06100544	1							SCREW, Hex Flange Head, M5x0.80x20.00
4	06101452	2			29				SCREW AND WASHER, Hex Head, M8x1.25x20
5	0QN61SX9	1			27				PANEL, Cowl
6	05245872	1							ROD, Cowl Panel Right
	05245873	1							Left
7	06035625	4							SCREW
8	06502843	2			29				NUT AND WASHER, Hex Nut-Coned Washer, M6 x 1.00
9	06101090	6							SCREW AND WASHER, Hex Head, M10x1.5x25
10	06502337	2							NUT, M10x1.5
11	06502337	2							FRAME, Reference Only, (NOT SERVICED)
12	06502337	2							SCREW, 10x16x.5, (NOT SERVICED)
13	06504516	2							NUT AND WASHER, M6x1.00, Attaching Accelerator COVER, A Pillar
14	04848900AA	1							Right
	04848901AA	1							Left
15	04848897AB	1							STRAP, Ground
16	04373728	4							PLUG
17	04848850AC	1							COVER, Antenna Opening

VIPER GTS COUPE,VIPER RT/10 ROADSTER (SR)

SERIES	LINE	BODY	ENGINE	TRANSMISSION
S = RT/10	D = DODGE	27 = 2-DR CONVERTIBLE	EWB = Engine - 8.0L V10 SFI	DEC = 6-Speed Manual
S = GTS Coupe		29 = SPECIALTY COUPE	EW0 = All 8.0L Gas	DBB = All Manual
X = GTS/Lemans				

AR = use ase required - = Non illustrated part

**Glass Windshield, Frame And Mirror (Convertible)
Figure SSR-710**



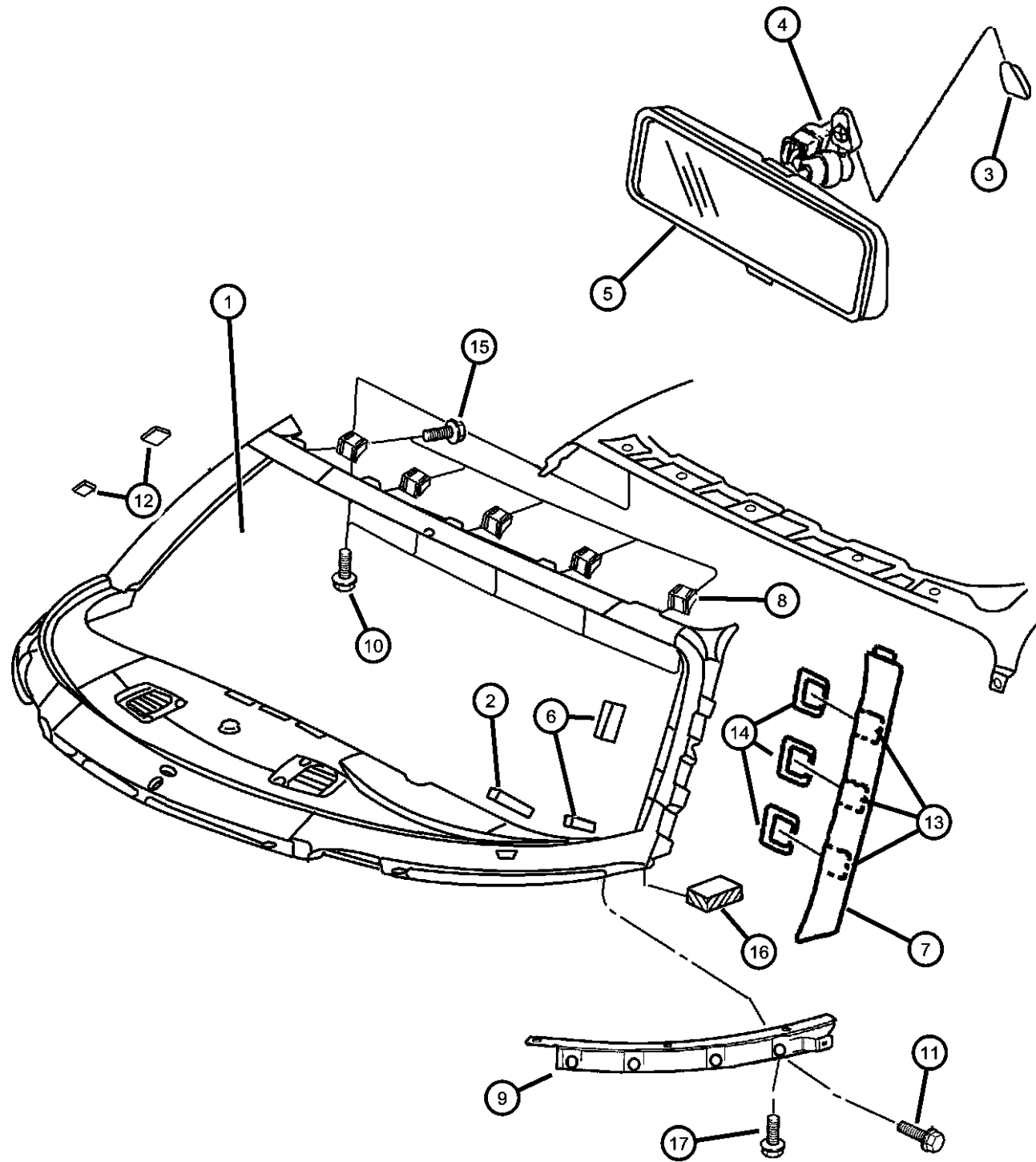
ITEM	PART NUMBER	QTY	LINE	SERIES	BODY	ENGINE	TRANS	TRIM	DESCRIPTION
1	04897447AA DW01177GTY	1			27				WINDSHIELD, Shipping Assembly - 05 Lite Glass Collision Replacement Glass
-2	04643847	AR							SHIM, Windshield
3	05027213AA	1			27				MIRROR, Inside Rear View, Lighted
4	55076401	1			27				BUTTON, Rear View Mirror
5	55076401	1							SCREW, Pan Head Tapping, .19-16x.375, [.19-16X.375], (NOT SERVICED)
6	04848883AA	1			27				BACKLITE, w/Seal
-7	04848886AA	3			27				BACKLITE, Snap Assy
-8	04848888AA	1			27				BACKLITE, Lock Cover Right
	04848889AA	1			27				Left
-9	04848891AA	1			27				BACKLITE, Lock Package
-10	04848894AA	2			27				KEY, Backlite, Viper
-11	04848895AA	2			27				LOCK COVER, End Cap
-12	04848896AA	2			27				WASHER, Lock Cylinder, With Seal
13	04848306AB	1			27				RETAINER, A Pillar Trim Right
	04848307AB	1			27				Left
-14	04848304AH	1			27				WEATHERSTRIP, A-Pillar to Roof Right
	04848305AH	1			27				Left
15	0RC76DX9AA	1			27				CAP Right
	0RC77DX9AA	1			27				Left
-16	0GA75LX7	1			27				BAG, Backlite
17	0PR74DX9AE	1			27				FRAME, Windshield

VIPER GTS COUPE,VIPER RT/10 ROADSTER (SR)

SERIES	LINE	BODY	ENGINE	TRANSMISSION
S = RT/10	D = DODGE	27 = 2-DR CONVERTIBLE	EWB = Engine - 8.0L V10 SFI	DEC = 6-Speed Manual
S = GTS Coupe		29 = SPECIALTY COUPE	EW0 = All 8.0L Gas	DBB = All Manual
X = GTS/Lemans				

AR = use ase required - = Non illustrated part

**Glass Windshield Frame And Mirror Viper Coupe
Figure SSR-715**



ITEM	PART NUMBER	QTY	LINE	SERIES	BODY	ENGINE	TRANS	TRIM	DESCRIPTION
1	04897573AA DW01294GTY	1			29				WINDSHIELD, Shipping Assembly - 05 Lite Glass Collision Replacement Glass
2	04643847	AR							SHIM, Windshield
3	55076401	1			29				BUTTON, Rear View Mirror
4	55076401	1							SCREW, Pan Head Tapping, .19-16x.375, [.19-16x.375], (NOT SERVICED)
5	05027213AA	1			27				MIRROR, Inside Rear View, Lighted
6	04278662	4							SPACER
7									COVER, A Pillar
	0SX50LRNAA	1			29				Red, Right
	0SX51LRNAA	1			29				Red, Left
8	04848823	5			29				BRACKET, Windshield Frame to Roof
9									BRACKET, Windshield
	04848526	1							Right
	04848527	1							Left
10	06100582	5			29				BOLT AND CONED WASHER, Hex Head, M8x20x20
11	06100582	5							SCREW AND WASHER, M10x1.5x30, [M10x1.5x30], (NOT SERVICED)
12									RETAINER, Front Pillar to Glass
	04763888AD	1			29				Right
	04763889AD	1			29				Left
13	05245843	6			29				LOCK COVER, Dual, Cover Half
14	05245842	6			29				LOCK COVER, Dual, Body Half
15	06500584	8			29				SCREW AND WASHER, Hex Head, M8x1.25x30
16	04848371	2			27				SEAL, Sport Cap Base
17	06500584	8			29				SCREW AND WASHER, Hex Head, M8x1.25x30

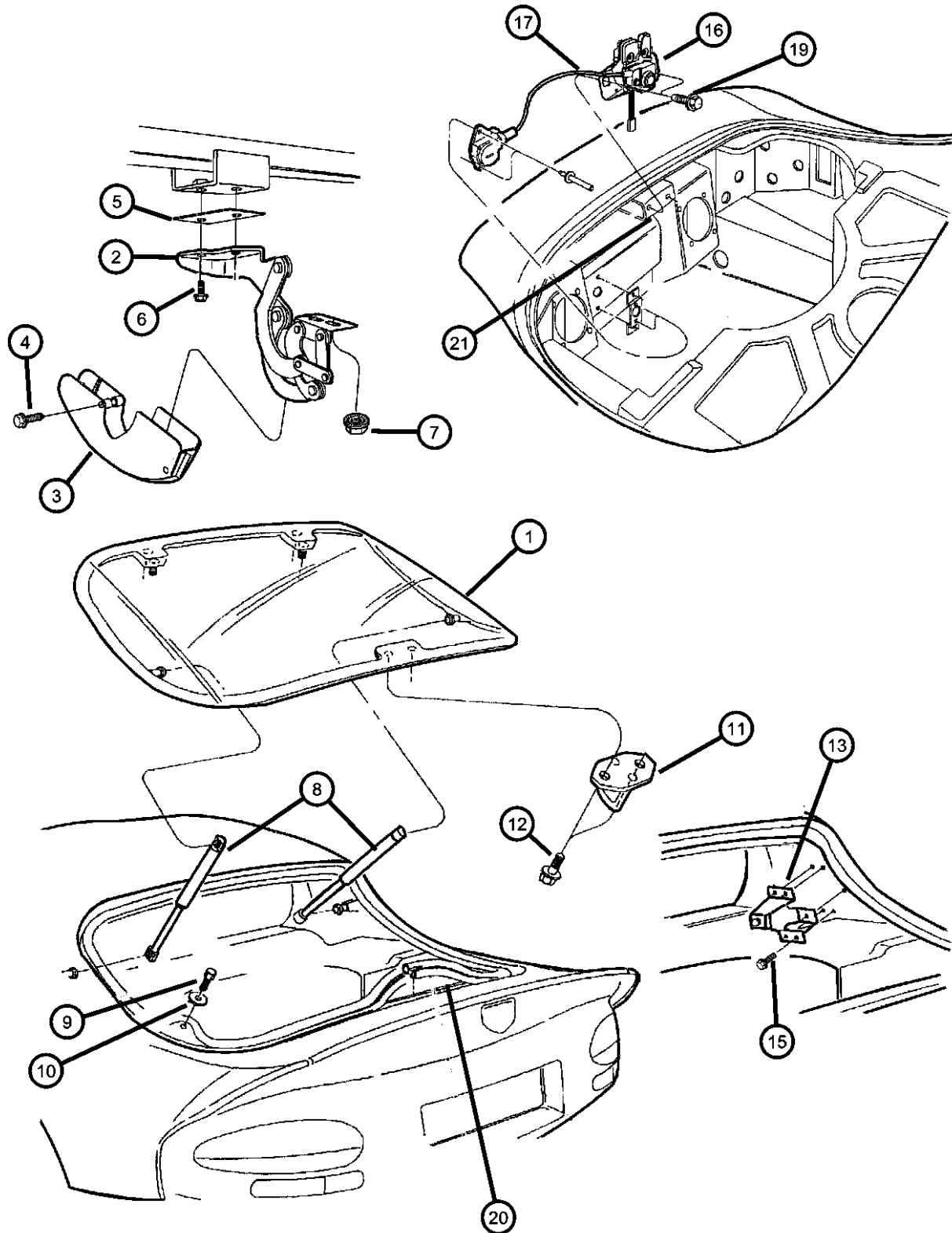
VIPER GTS COUPE,VIPER RT/10 ROADSTER (SR)

SERIES	LINE	BODY	ENGINE	TRANSMISSION
S = RT/10	D = DODGE	27 = 2-DR CONVERTIBLE	EWB = Engine - 8.0L V10 SFI	DEC = 6-Speed Manual
S = GTS Coupe		29 = SPECIALTY COUPE	EW0 = All 8.0L Gas	DBB = All Manual
X = GTS/Lemans				

AR = use ase required - = Non illustrated part

2001 SR

**Glass, Backlite Hardtop
Figure SSR-720**



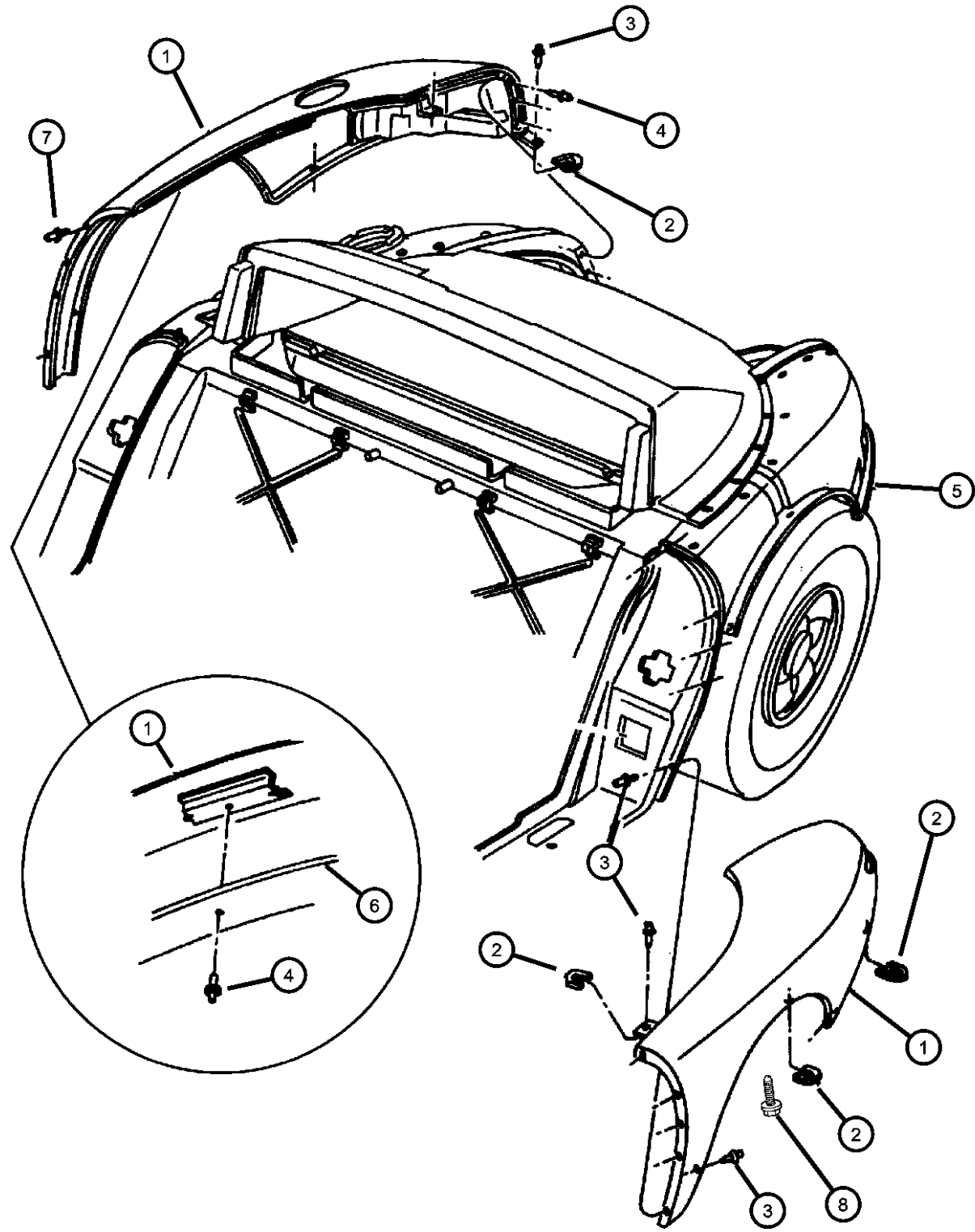
ITEM	PART NUMBER	QTY	LINE	SERIES	BODY	ENGINE	TRANS	TRIM	DESCRIPTION
1	04763380AC DB09130GT	1			29				BACKLITE Collision Replacement Glass
2	04763964 04763965	1 1			29 29				HINGE, Liftgate Right Left
3	0QM20SX9	1			29				COVER, Hinge, Black, Right
4	06035857	8			29				PIN PUSH, .281x.770
5	04848225	AR			29				SHIM, Liftgate Hinge, To Sport Bar
6	06100567	4			29				SCREW AND WASHER, Hex Head, M6x1x25
7	06501941	4			29				NUT AND WASHER, Liftgate Hinge to Glass
8	04763387AB	2			29				PROP, Backlite
9	05256749	2			29				BUMPER, Deck Lid Adjuster
10	04854301AA	2			29				GASKET, Bumper Bracket
11	04763384	1			29				STRIKER, Backlite
12	06501941	2			29				NUT AND WASHER
13	04848358 04848359	1 1			29 29				BRACKET, Liftgate Right Left
-14	05245666 05245667	1 1			29 29				REINFORCEMENT, Mounting Right Left
15	06100557	6			29				BOLT AND CONED WASHER, Hex Head, M6x20x14
16	05017672AA	1			29				LATCH, Decklid, w/Switch and Screws
17	05017673AA	1			29				CABLE, Deck Lid Release, w/Screws
-18	04848767	1			29				BRACKET, Trunk Lamp Mounting
19	06100567	1							SCREW AND WASHER, Hex Head, M6x1x25
20	04763671AB	1			29				WEATHERSTRIP, Liftgate Glass
21	04763386	1			29				BRACKET, Mounting
-22	06016152	2							CLIP, Inner Hole Deck Lid
-23	0SF88DX9AA	1			29				HANDLE, Backlight Remote Release

VIPER GTS COUPE,VIPER RT/10 ROADSTER (SR)

SERIES	LINE	BODY	ENGINE	TRANSMISSION
S = RT/10	D = DODGE	27 = 2-DR CONVERTIBLE	EWB = Engine - 8.0L V10 SFI	DEC = 6-Speed Manual
S = GTS Coupe		29 = SPECIALTY COUPE	EW0 = All 8.0L Gas	DBB = All Manual
X = GTS/Lemans				

AR = use ase required - = Non illustrated part

Rear Quarter Panel
Figure SSR-910



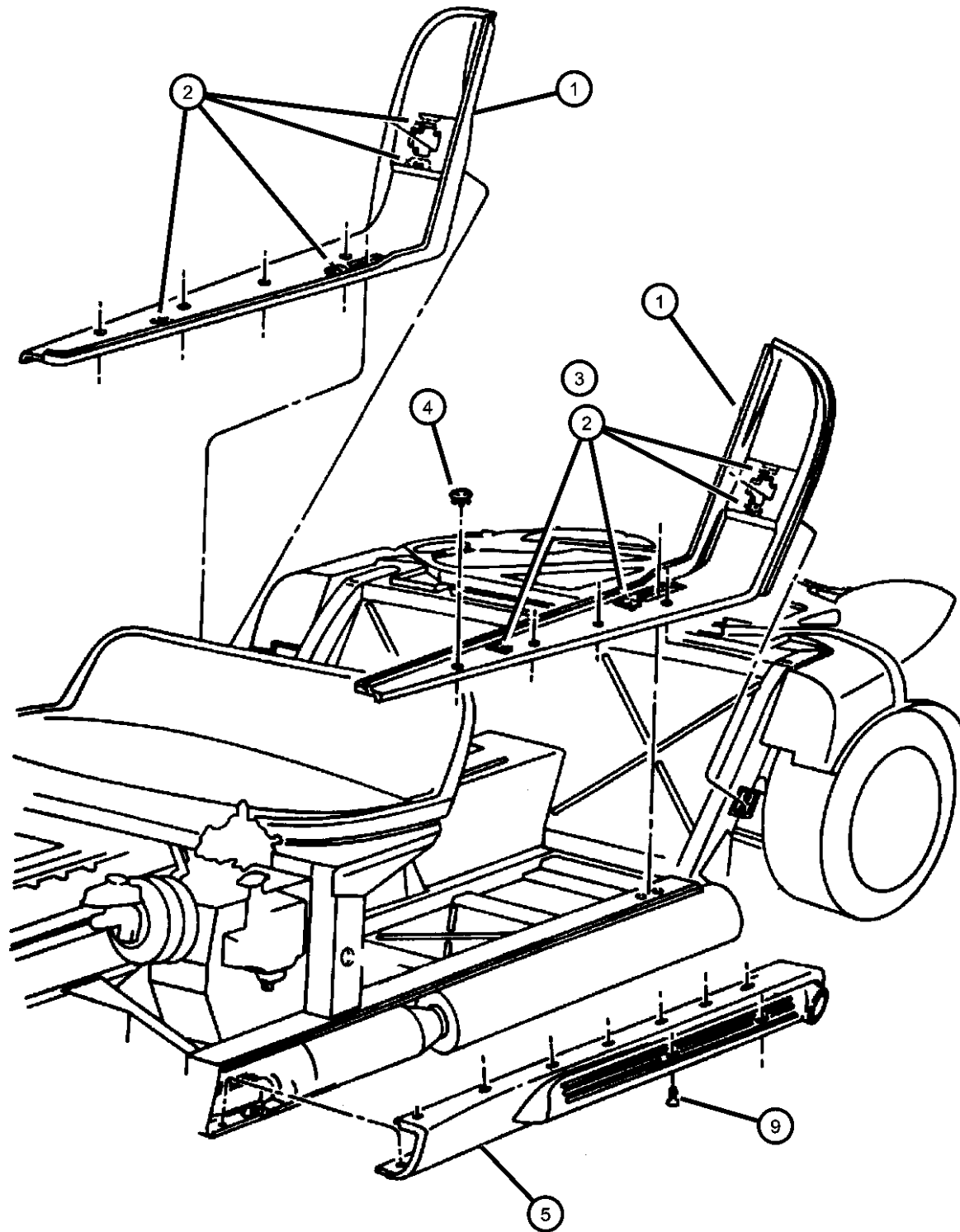
ITEM	PART NUMBER	QTY	LINE	SERIES	BODY	ENGINE	TRANS	TRIM	DESCRIPTION
1									PANEL, Quarter
	04763340AB	1			29				Right
	04763341AB	1			29				Left
	04854326AB	1			27				Right
	04854327AB	1			27				Left
2	04643893	AR							SHIM, Quarter Panel
3	06034844	AR			29				RIVET, Blind, .250x.375/.562
4	06034645	14			27				RIVET, .25 Grip-.06-.25
5	04848202	2			27				SEAL, Panel, Quarter Panel Lower
6	04848202	2							PAN, Rear Floor, (Reference Only), (NOT SERVICED)
7	06034578	10			29				RIVET, .25 Grip.06-.25
8	06101455	6			29				SCREW AND WASHER, Hex Head, M6x1x20, Quarter Panel Mounting, M6x1.00x20.00

VIPER GTS COUPE,VIPER RT/10 ROADSTER (SR)

SERIES	LINE	BODY	ENGINE	TRANSMISSION
S = RT/10	D = DODGE	27 = 2-DR CONVERTIBLE	EWB = Engine - 8.0L V10 SFI	DEC = 6-Speed Manual
S = GTS Coupe		29 = SPECIALTY COUPE	EW0 = All 8.0L Gas	DBB = All Manual
X = GTS/Lemans				

AR = use ase required - = Non illustrated part

Loose Panel
Figure SSR-1010



ITEM	PART NUMBER	QTY	LINE	SERIES	BODY	ENGINE	TRANS	TRIM	DESCRIPTION
Note: [P.A.R.] = Paint As Required									
1	04848838AA	1							PANEL, Door Surround (P.A.R.), Right
	04848839AA	1							(P.A.R.), Left
2	35022111	AR							SPACER, Fender, 1.0
3	35022112	AR							SPACER, Fender, 1.5
4	04848881AA	8							PLUG, Body, .75 Diameter
5	04763640AE	1							PANEL, Sill Right
	04763641AE	1							Left
-6	06504580	20							SCREW, Hex Flange Head Tapping, M4.8x1.59x13, M4.8x1.59x13.00 CAP
-7	05245544	1							Right, Outer, Rear
	05245545	1							Left, Outer, Rear
-8	04708428	1							CLADDING, Front Sill Right
	04708429	1							Left
9	06504580	20							SCREW, Hex Flange Head Tapping, M4.8x1.59x13, M4.8X1.59X13.00
-10	04708021	2							LABEL, Exhaust Warning
	04708337	2							Canada

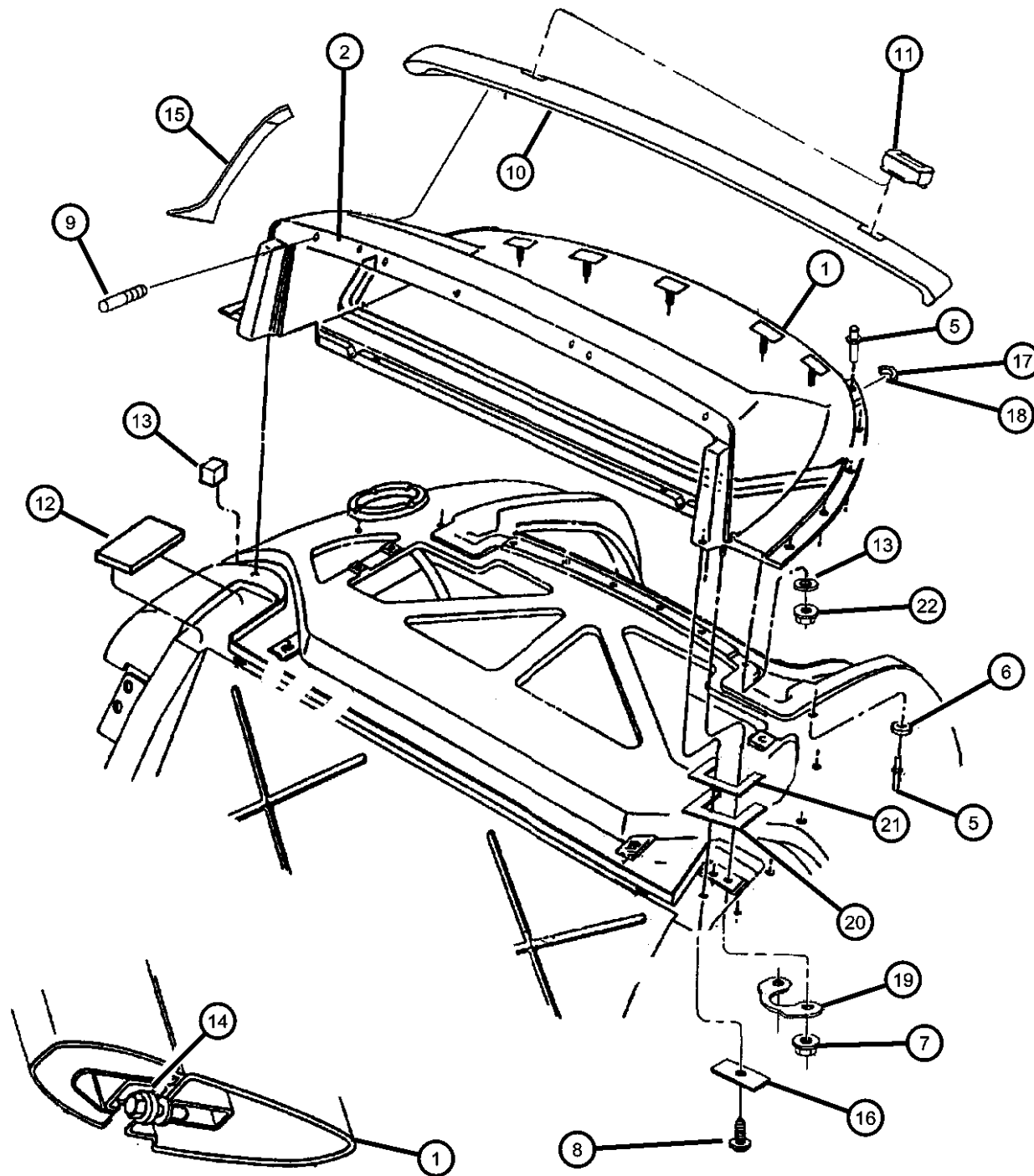
VIPER GTS COUPE,VIPER RT/10 ROADSTER (SR)

SERIES	LINE	BODY	ENGINE	TRANSMISSION
S = RT/10	D = DODGE	27 = 2-DR CONVERTIBLE	EWB = Engine - 8.0L V10 SFI	DEC = 6-Speed Manual
S = GTS Coupe		29 = SPECIALTY COUPE	EW0 = All 8.0L Gas	DBB = All Manual
X = GTS/Lemans				

AR = use ase required - = Non illustrated part

2001 SR

**Sport Cap
Figure SSR-1110**



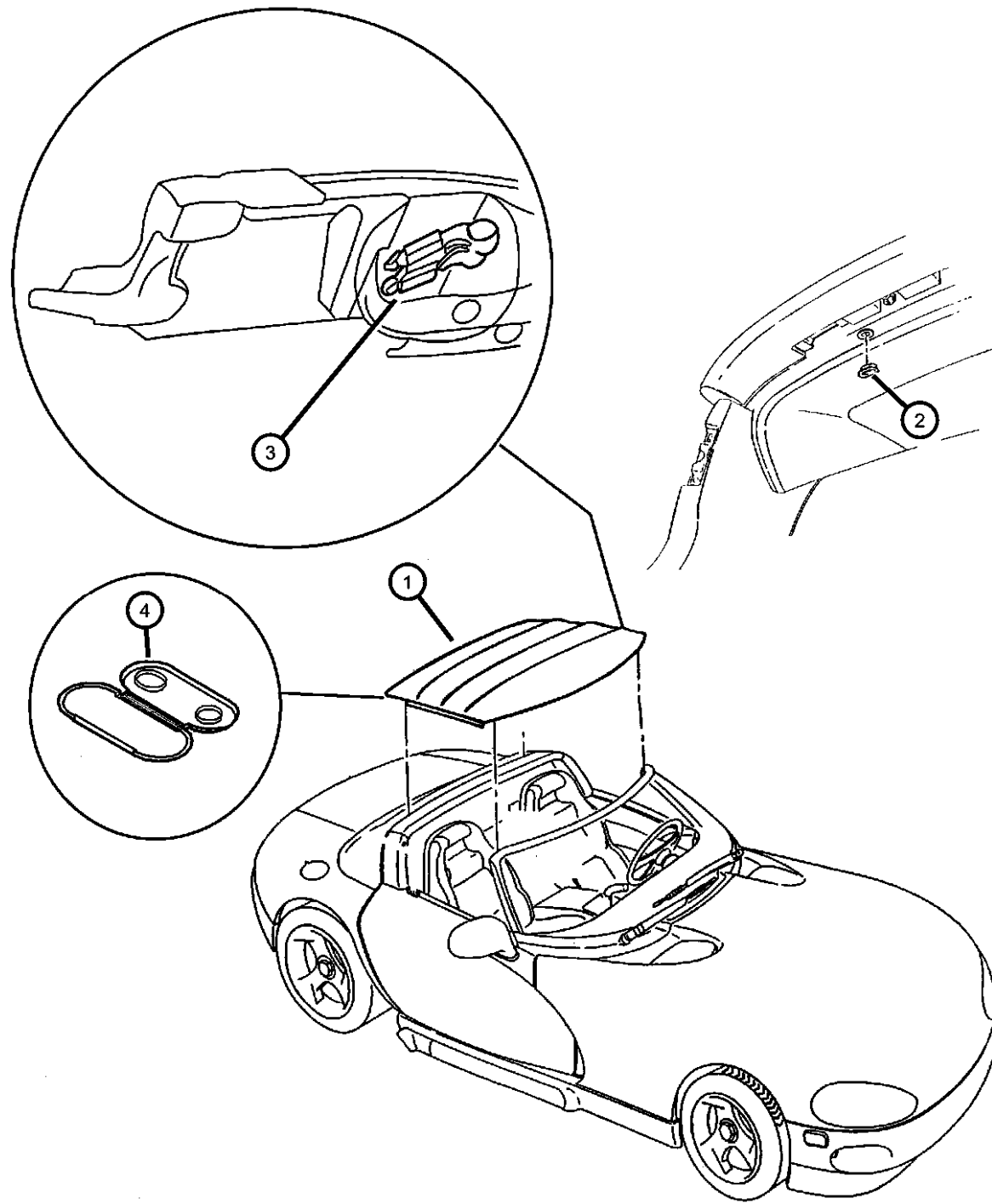
ITEM	PART NUMBER	QTY	LINE	SERIES	BODY	ENGINE	TRANS	TRIM	DESCRIPTION
1	04854330AA	1			27				PANEL, Sport Cap, (S.D.P.)
2	04848875AB	1			27				APPLIQUE, SPORT CAP, Anti-Scratch Applique
-3	06034756	10			27				RIVET, Blind, .156x.460
-4									BRACKET, Quarter Trim
	04848876AA	2			27				
	04854292AA	1			29				Right
	04854293AA	1			29				Left
5									RIVET, .25 Grip.06-.25
	06034578	2			29				
		16			27				
6	04073371	2							WASHER, Flat, Round, ID.220, OD.75, THK.10, Sport Cap Rear
7	06502337	2							NUT, M10x1.5, Sportbar Attaching
8	06503675	2							SCREW AND WASHER, Hex Head, M10x1.5x40
9	06035227	2			27				STUD, .312-18x1.875
10	0PR73DX9AD	1			27				PAD, Sport Cap, Black
11	0QX23DX9AB	2			27				GROMMET, Sport Cap
12	0QX23DX9AB	2							DEADNER, Body Panel, (NOT SERVICED)
13	04848371	2			27				SEAL, Sport Cap Base, Sport Cap Base
14	04848371	2							SCREW, and WASHER, M8x1.25x40.00,, (NOT SERVICED)
15									COVER, "B" Pillar Outside
	0RV88DX9AA	1			27				Black, Right
	0RV89DX9AA	1			27				Black, Left
16	04848849AA	2			29				PLATE, Sport Bar to Frame
17	35022111	AR							SPACER, Fender, 1.0, Shim Front Fender Alignment
18	35022112	AR							SPACER, Fender, 1.5, Shim Front Fender Alignment
19	04848128	2							WASHER, Sport Bar, Attachment
20	04643353	AR							SHIM, Floor Pan Isolator, Sport Cap Base To Frame
21	04848868AA	AR			27				SHIM, Floor Pan Isolator
22									NUT AND WASHER
	06501941	5			27				Sport Cap Attaching
		4			29				Sport Cap Attaching

VIPER GTS COUPE,VIPER RT/10 ROADSTER (SR)

SERIES	LINE	BODY	ENGINE	TRANSMISSION
S = RT/10	D = DODGE	27 = 2-DR CONVERTIBLE	EWB = Engine - 8.0L V10 SFI	DEC = 6-Speed Manual
S = GTS Coupe		29 = SPECIALTY COUPE	EW0 = All 8.0L Gas	DBB = All Manual
X = GTS/Lemans				

AR = use ase required - = Non illustrated part

Toupette Assembly-top
Figure SSR-1120



ITEM	PART NUMBER	QTY	LINE	SERIES	BODY	ENGINE	TRANS	TRIM	DESCRIPTION
1	0PK61SX9AL	1			27				TOP, Toupette
2	04643927AB	2			27				GROMMET, Sport Cap
3									WEATHERSTRIP, A-Pillar to Roof
	04848644AE	1			27				Right
	04848645AE	1			27				Left
4	04848902AA	4			27				COVER, Weatherstrip
-5	04848950AA	1			27				STORAGE BAG, Top
-6	0GA79BX7AD	1			27				COVER, Tonneau
-7	06035085	4			27				SCREW, Tapping, .164-15x1
-8	06035227	2			27				STUD, .312-18x1.875
-9	04658673	AR			29				PIN PUSH, .150x.410
-10	06100515	8			27				NUT, Hex Flange Lock, M5
-11	04848949AA	1			27				ROD, Tonneau Cover

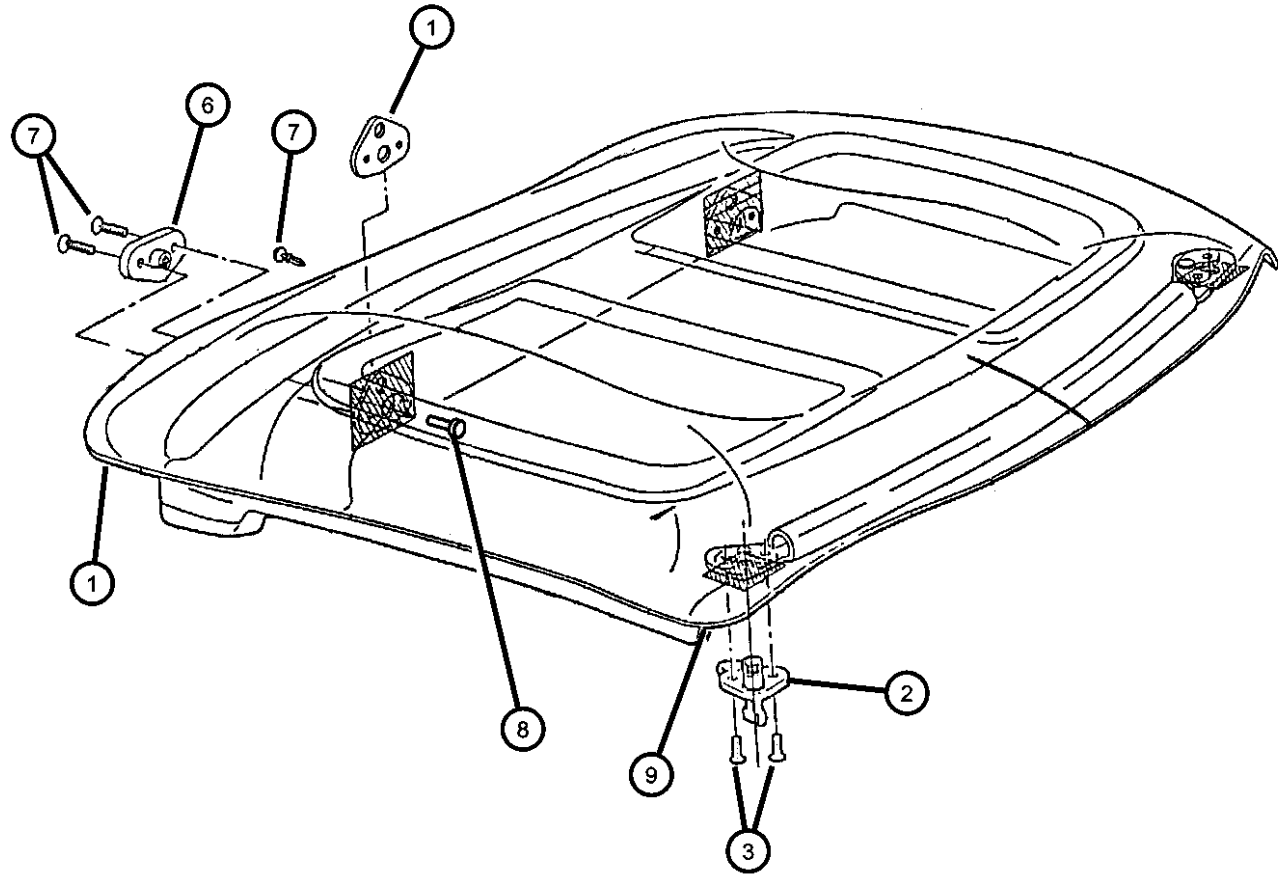
VIPER GTS COUPE,VIPER RT/10 ROADSTER (SR)

SERIES	LINE	BODY	ENGINE	TRANSMISSION
S = RT/10	D = DODGE	27 = 2-DR CONVERTIBLE	EWB = Engine - 8.0L V10 SFI	DEC = 6-Speed Manual
S = GTS Coupe		29 = SPECIALTY COUPE	EW0 = All 8.0L Gas	DBB = All Manual
X = GTS/Lemans				

AR = use ase required - = Non illustrated part

2001 SR

**Hard Top Convertible
Figure SSR-1125**



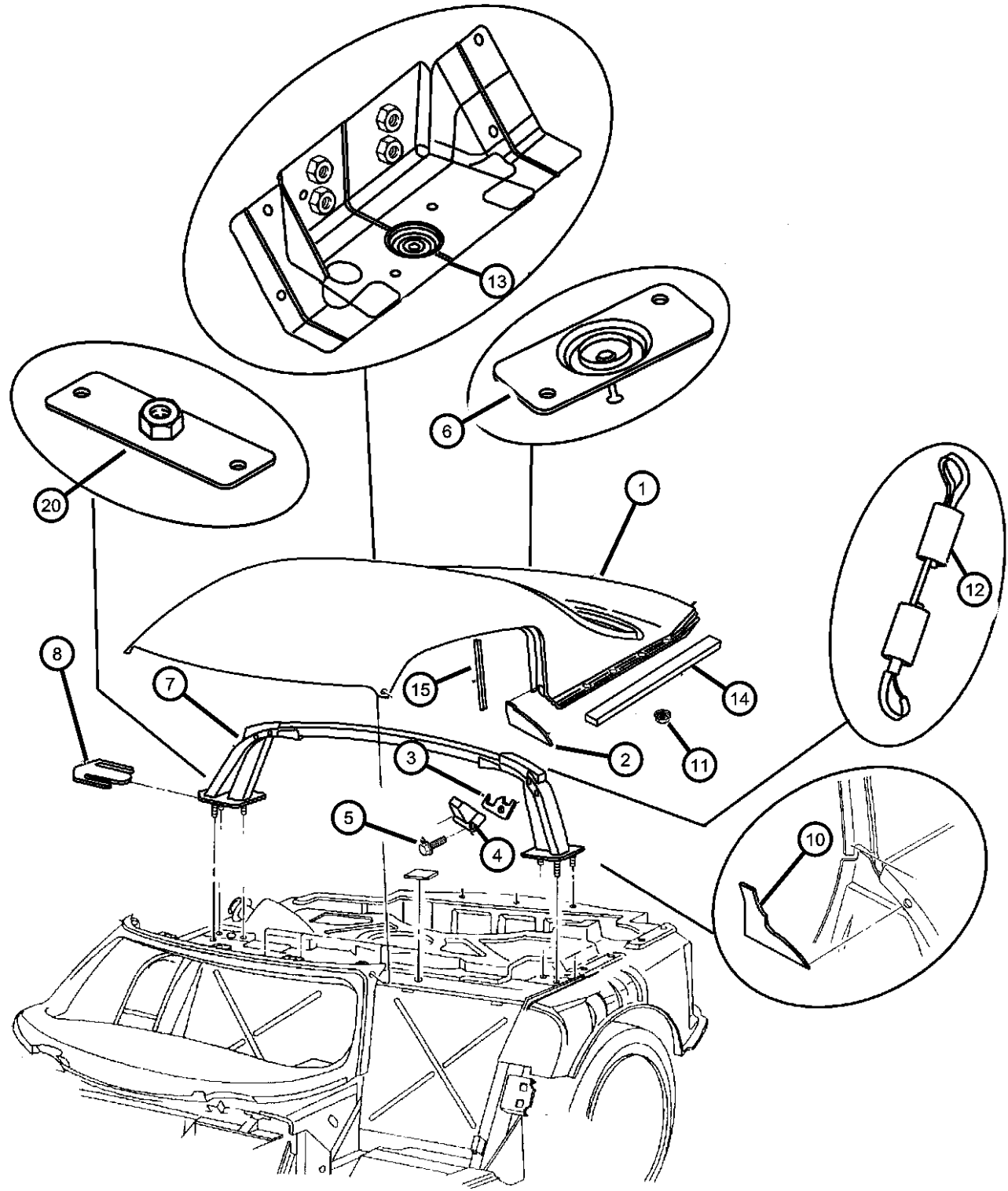
ITEM	PART NUMBER	QTY	LINE	SERIES	BODY	ENGINE	TRANS	TRIM	DESCRIPTION
1	OSW18LR-NAA	1			27				TOP, Hard, Red
2									LATCH KIT, Hard Top, Front
	05016176AA	1			27				Right
	05016177AA	1			27				Left
3	05016234AA	1			27				SCREW, M4x0.7x16.0 Flat Head, Used With Front Latch
-4									LATCH KIT, Hard Top, Rear
	05010854AA	1			27				Right
	05010855AA	1			27				Left
-5	05016236AA	1			27				SCREW, M4x0.7x12.0 Pan Head, Used With Rear Latch
6	04882378	1			27				ISOLATOR, Rear Latch Pin
7	04882378	1							SCREW, (NOT SERVICED)
8	04626527	1							BOLT, M8-1.25x50.0 Shoulder
9	05010862AB	1			27				WEATHERSTRIP KIT, Hard Top, Used For Leaks
-10	05010850AA	1			27				HEADLINER KIT, Hard Top

VIPER GTS COUPE,VIPER RT/10 ROADSTER (SR)

SERIES	LINE	BODY	ENGINE	TRANSMISSION
S = RT/10	D = DODGE	27 = 2-DR CONVERTIBLE	EWB = Engine - 8.0L V10 SFI	DEC = 6-Speed Manual
S = GTS Coupe		29 = SPECIALTY COUPE	EW0 = All 8.0L Gas	DBB = All Manual
X = GTS/Lemans				

AR = use ase required - = Non illustrated part

**Roof Panel Viper Coupe
Figure SSR-1130**



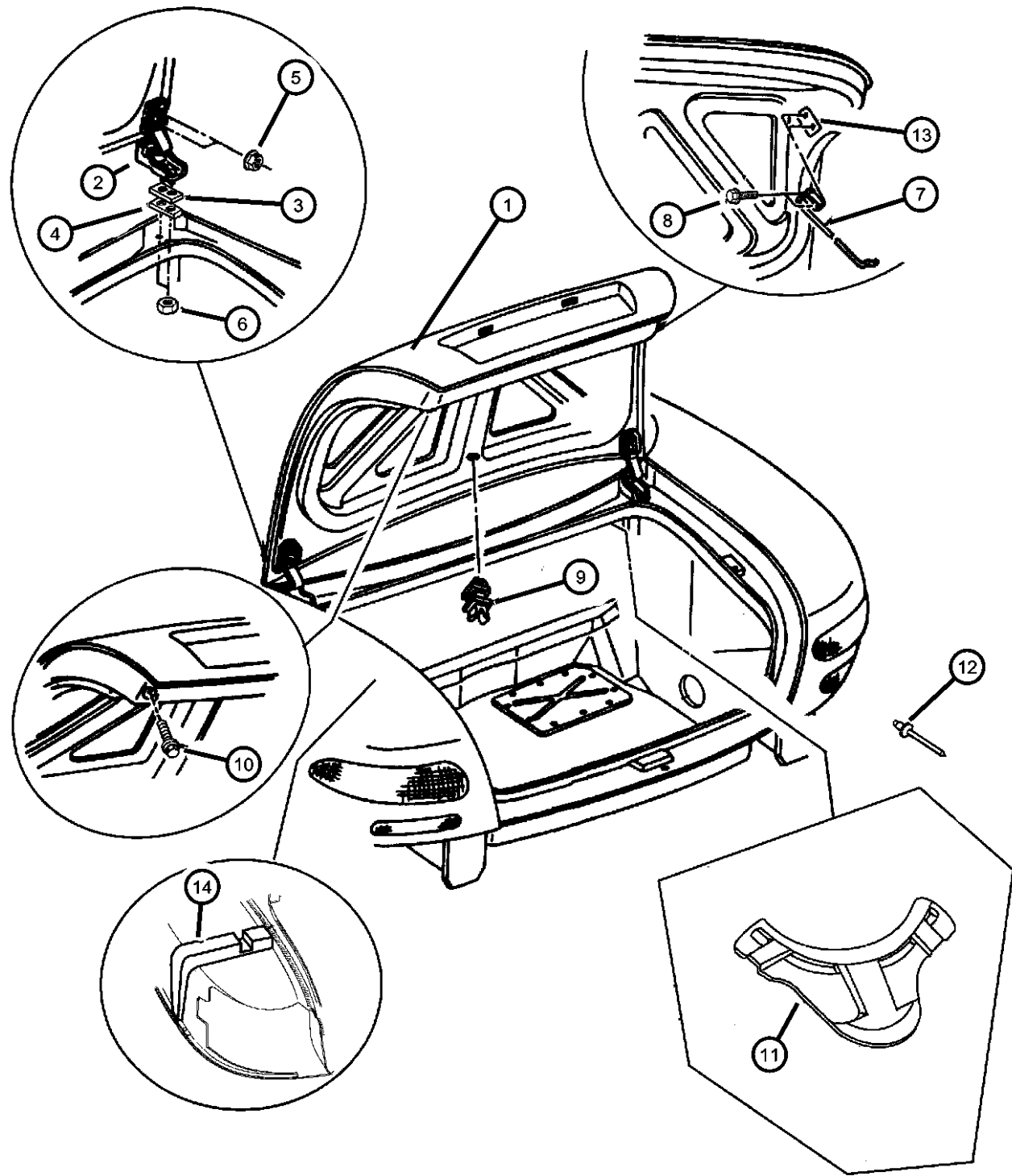
ITEM	PART NUMBER	QTY	LINE	SERIES	BODY	ENGINE	TRANS	TRIM	DESCRIPTION
1	0SV29LRNAC	1			29				PANEL, Roof Red
	0SV29WYRAC	1			29				Black
	0SV29YB-WAC	1			29				Blue
2									SEAL, Door Right
	04848906AA	1			29				Left
3	05245858	AR			29				SHIM, Side Rail To Sport Bar
4									BRACKET, Roof To Sport Bar Right
	04848884AA	1			29				Left
	04848885AA	1			29				
5	06101452	2			29				SCREW AND WASHER, Hex Head, M8x1.25x20
6	05245664	4			29				REINFORCEMENT, Mounting
7	04848685AB	1			29				BAR, Sport
8	04848790	AR			29				SHIM, Sport Bar Base Plate
-9	04848849AA	2			29				PLATE, Sport Bar to Frame
10									COVER, Roof to Door Surround Right
	04848904AB	1			29				Left
	04848905AB	1			29				
11	06503825	9			29				NUT AND WASHER, Hex Nut-Coned Washer, M6 x 1.00, M6x1.00
12	04848265	2			29				CABLE, Roof To Sport Bar Mounting
13	05245640	1			29				REINFORCEMENT, Mounting
14	04848930AA	2			29				SEAL, Enclosure To Body, Roof to Quarter, Rear
15	04848929AA	2			29				SEAL, Enclosure To Body, Roof to Quarter, Front
-16	04848128	2							WASHER, Sport Bar
-17	05245853	3			29				NOZZLE, Tube
-18	04848768	4			29				SEAL, Impact Joint
-19	06101916	2			29				NUT, Hex Weld, M8x1.25, Roof Inner To Sport Bar Gusset
20	06101916	2							REINFORCEMENT, Roof Inner to Sport Bar Gusset (Serviced With Item 7), (NOT SERVICED)

VIPER GTS COUPE,VIPER RT/10 ROADSTER (SR)

SERIES	LINE	BODY	ENGINE	TRANSMISSION
S = RT/10	D = DODGE	27 = 2-DR CONVERTIBLE	EWB = Engine - 8.0L V10 SFI	DEC = 6-Speed Manual
S = GTS Coupe		29 = SPECIALTY COUPE	EW0 = All 8.0L Gas	DBB = All Manual
X = GTS/Lemans				

AR = use ase required - = Non illustrated part

Deck Lid
Figure SSR-1310



ITEM	PART NUMBER	QTY	LINE	SERIES	BODY	ENGINE	TRANS	TRIM	DESCRIPTION
1	04854325AB	1			27				DECKLID
2	04643062	2			27				HINGE, Deck Lid
3	04643881	AR			27				SHIM, Decklid Hinge, .030mm
4	04643882	AR			27				SHIM, Decklid Hinge, .060mm
5	06503825	4			27				NUT AND WASHER, Hex Nut-Coned Washer, M6 x 1.00
6	06501941	4			27				NUT AND WASHER
7	04643272	1			27				ROD, Deck Lid Prop
8	06502407	2			27				SCREW AND WASHER, Hex Head, M6x1x20, M6x1.00x20
9	J4007456	1			27				CLIP, Prop Rod
10	04708281	2							BUMPER, Deck Lid
11	04848241	1			27				COVER, Fuel Tank Access
12	06034578	16			27				RIVET, .25 Grip.06-.25
13	04643604	1			27				REINFORCEMENT, Decklid Prop Rod
14	04848206AB	2			27				SEAL, TRUNK CLOSEOUT

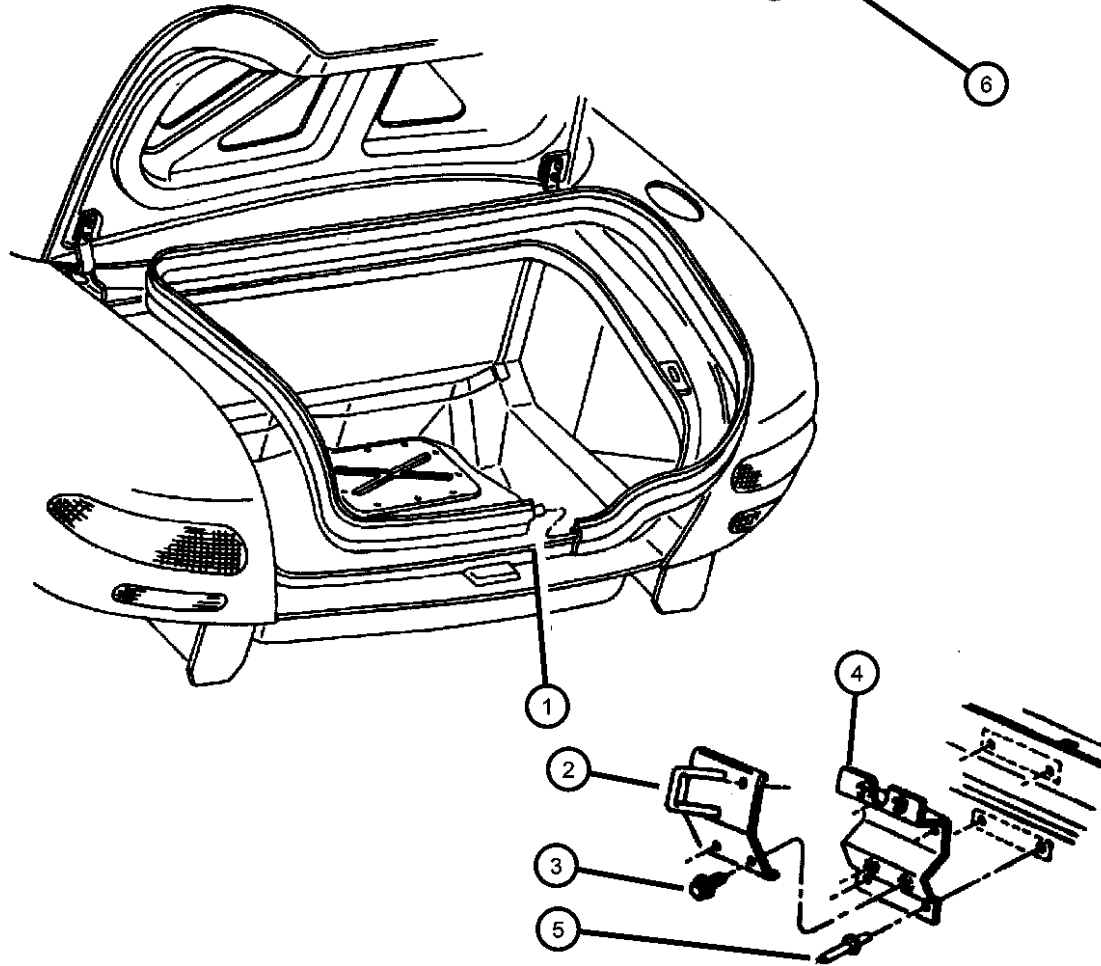
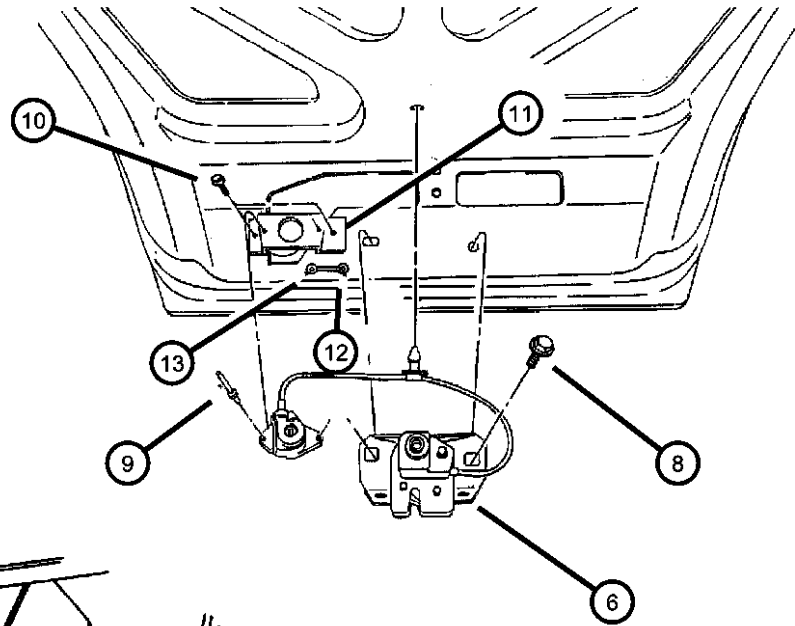
VIPER GTS COUPE,VIPER RT/10 ROADSTER (SR)

SERIES	LINE	BODY	ENGINE	TRANSMISSION
S = RT/10	D = DODGE	27 = 2-DR CONVERTIBLE	EWB = Engine - 8.0L V10 SFI	DEC = 6-Speed Manual
S = GTS Coupe		29 = SPECIALTY COUPE	EW0 = All 8.0L Gas	DBB = All Manual
X = GTS/Lemans				

AR = use ase required - = Non illustrated part

**Deck Lid Weatherstrip And Latch
Figure SSR-1320**

ITEM	PART NUMBER	QTY	LINE	SERIES	BODY	ENGINE	TRANS	TRIM	DESCRIPTION
1	04865813AA	1			27				WEATHERSTRIP, Liftgate Opening
2	04642894	1			27				STRIKER, Door Latch
3	04642894	1							SCREW, Pan Head, M6x1.0x17.00, (NOT SERVICED)
4	04642897	1			27				REINFORCEMENT, Decklid Striker
5	04642897	1							RIVET, (NOT SERVICED)
6	05029055AA	1			27				LATCH, Decklid
-7	04848767	1			29				BRACKET, Trunk Lamp Mounting, Trunk Lamp Mounting
8	06100567	2							SCREW AND WASHER, Hex Head, M6x1x25
9	06100567	2							RIVET, (NOT SERVICED)
10	06032723	6							SCREW, Self Tapping, M4.2x1.69x19.05, .164-15x.750
11	04643273	1			27				PLATE, Decklid Cylinder
12	55013666	2			27				FOOTMAN LOOP, Hold Down
13	06034646	2			27				RIVET, .197 Grip-.187-.375



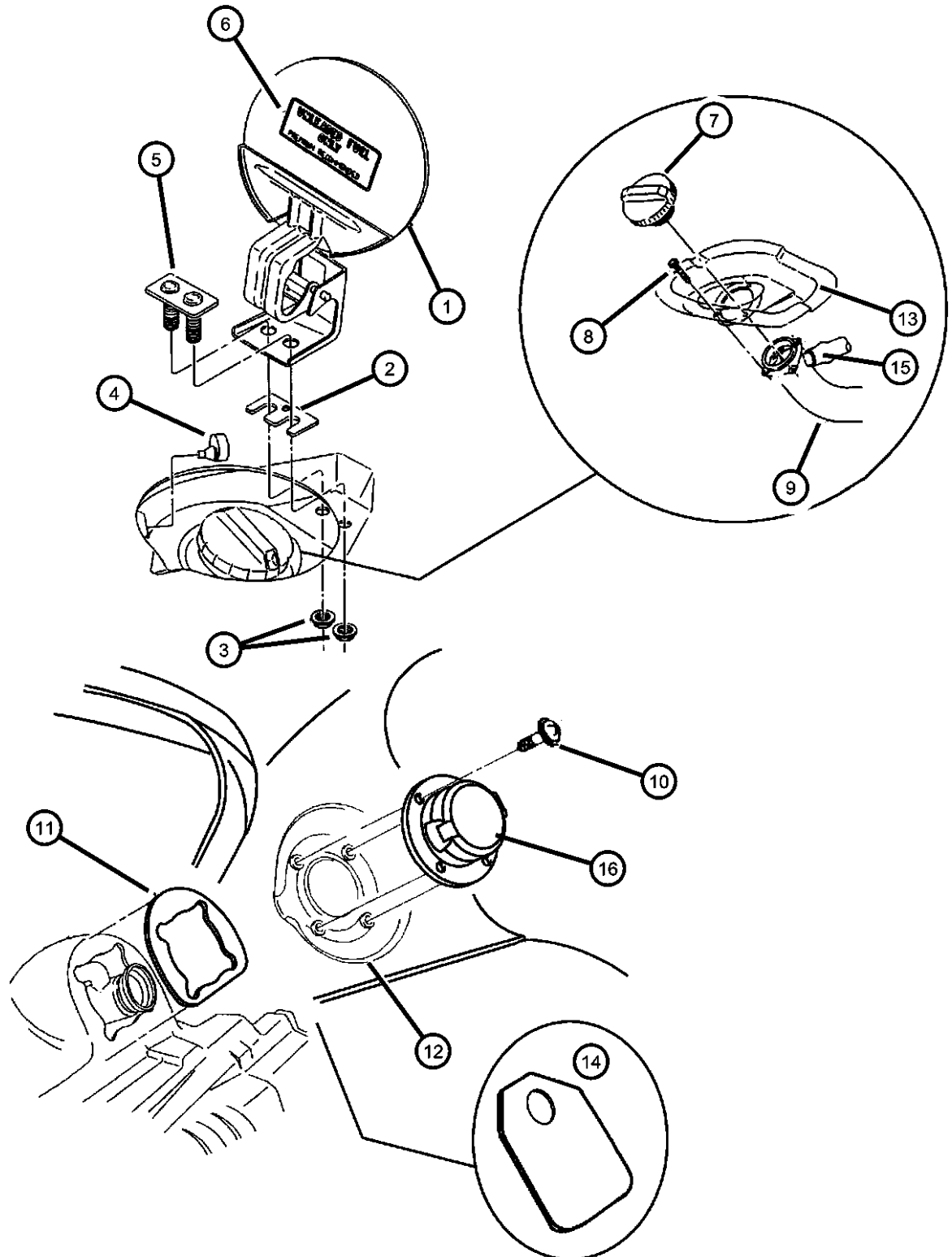
VIPER GTS COUPE,VIPER RT/10 ROADSTER (SR)

SERIES	LINE	BODY	ENGINE	TRANSMISSION
S = RT/10	D = DODGE	27 = 2-DR CONVERTIBLE	EWB = Engine - 8.0L V10 SFI	DEC = 6-Speed Manual
S = GTS Coupe		29 = SPECIALTY COUPE	EW0 = All 8.0L Gas	DBB = All Manual
X = GTS/Lemans				

AR = use ase required - = Non illustrated part

Fuel Filler Door
Figure SSR-1330

ITEM	PART NUMBER	QTY	LINE	SERIES	BODY	ENGINE	TRANS	TRIM	DESCRIPTION
1	04854334AA	1			27				DOOR, Fuel Fill
2	04643884	AR			27				SHIM, Fuel Filler Door
3	06100046	2			27				NUT AND WASHER, Hex, M5x.80
4	04763838	2			27				BUMPER, Fuel Door
5	04709364	1			27				PLATE AND SCREW, Fuel Filler Door
6	04708234	1			27				LABEL, Fuel
7	04848132	1							CAP, Fuel Filler, Non-Locking
8	04848132	1							SCREW, [.190-16x1.00], (NOT SERVICED)
9	04848132	1							TUBE, Fuel, Tank Filler (Reference Only), (NOT SERVICED)
10	06102004	4			29				SCREW, CAP, M8x1.25x26.8
11	05245877	1			29				SEAL, Truck Closeout, Trunk Closeout to Roof Filler
12	05245665	1			29				SEAL
13									SEAL, Fuel Filler Flange
	04643885	1			27				Fuel Filler
		2			29				Fuel Filler
14	04763476	1			27				SHIELD, Fuel Filler Door, Fuel Filler Paint Chip
15	04848956AA	1							TUBE, Drain
16	04763684AD	1			29				CAP, Fuel Filler



VIPER GTS COUPE,VIPER RT/10 ROADSTER (SR)

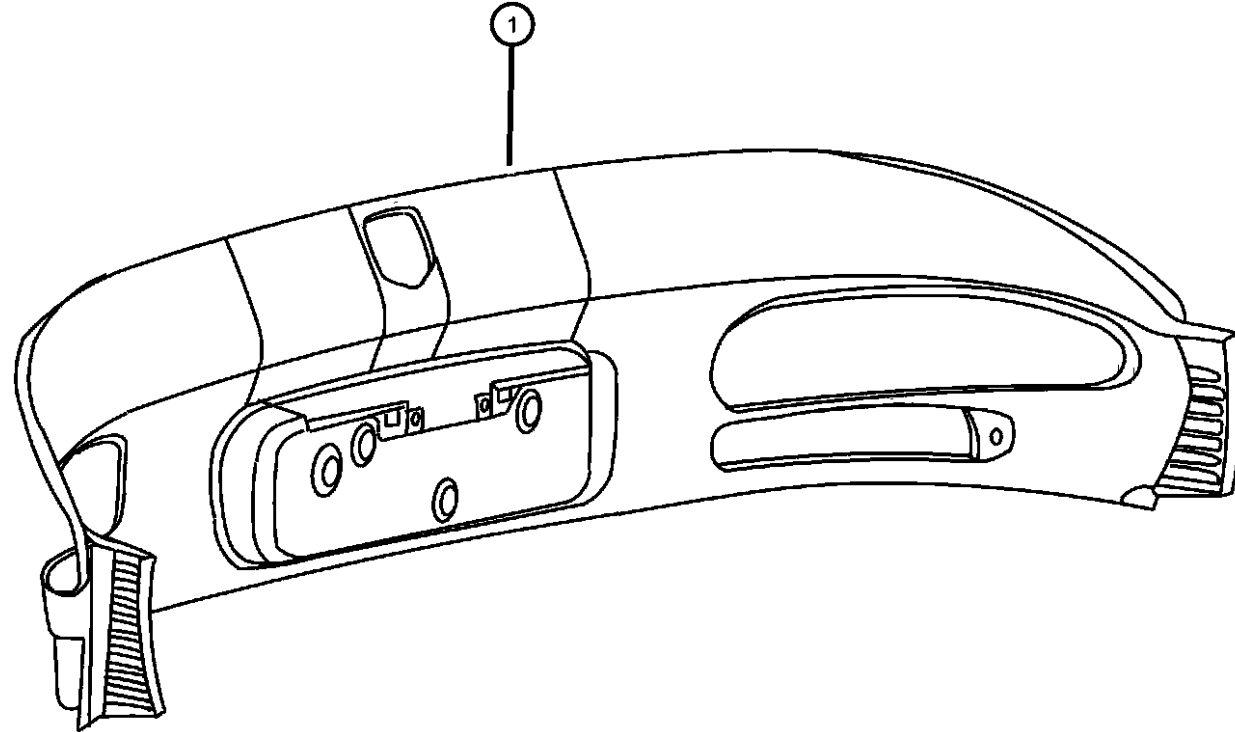
SERIES	LINE	BODY	ENGINE	TRANSMISSION
S = RT/10	D = DODGE	27 = 2-DR CONVERTIBLE	EWB = Engine - 8.0L V10 SFI	DEC = 6-Speed Manual
S = GTS Coupe		29 = SPECIALTY COUPE	EW0 = All 8.0L Gas	DBB = All Manual
X = GTS/Lemans				

AR = use ase required - = Non illustrated part

2001 SR

**Rear Shelf Panel Viper, Coupe
Figure SSR-1410**

ITEM	PART NUMBER	QTY	LINE	SERIES	BODY	ENGINE	TRANS	TRIM	DESCRIPTION
1	04883764AA	AR			29				PANEL, Rear Body
-2	04883765AA	1			29				COVER, Rear
-3	04763881	1			29				ISOLATOR, Roof to Rear Closure Panel
-4	04763881	1							SCREW, M6x1x20, (NOT SERVICED)



VIPER GTS COUPE,VIPER RT/10 ROADSTER (SR)

SERIES	LINE	BODY	ENGINE	TRANSMISSION
S = RT/10	D = DODGE	27 = 2-DR CONVERTIBLE	EWB = Engine - 8.0L V10 SFI	DEC = 6-Speed Manual
S = GTS Coupe		29 = SPECIALTY COUPE	EW0 = All 8.0L Gas	DBB = All Manual
X = GTS/Lemans				

AR = use ase required - = Non illustrated part