

VIN PLATE DECODING INFORMATION

1	2	3	4	5	6	7	8	9	10	11	12 thru 17
Country	Make	Vehicle Type	Other	Line	Series	Body Style	Engine	Check Digit	Model Year	Assy. Plant	Sequence No.

The following table interprets the VIN Plate position shown above.

Position	Interpretation	Codes = Description
1	Country of Origin	1 = U.S.
2	Assembler	B = Dodge
3	Vehicle Type	3 = Passenger Car
4	GVWR & Pass. Safety	E = Restraint System Active Driver & Passenger Air Bag (CGW)
5	Vehicle Line	R = Viper
6	Series	6 = Viper SRT-10 (D-S27)
7	Body Style	5 = Convertible - Open Body 6 = 2 Door Speciality Coupe
8	Engine	Z = 8.3L 10 Cyl. Alum. Block (EWC)
9	Check Digit	0 = Check Digit
10	Model Year	3 = 2003
11	Assembly Plant	V = Conner Avenue
12 thru 17	Vehicle Build Sequence	Model Year Assembly Sequence

Group - 2

Front Suspension & Drive

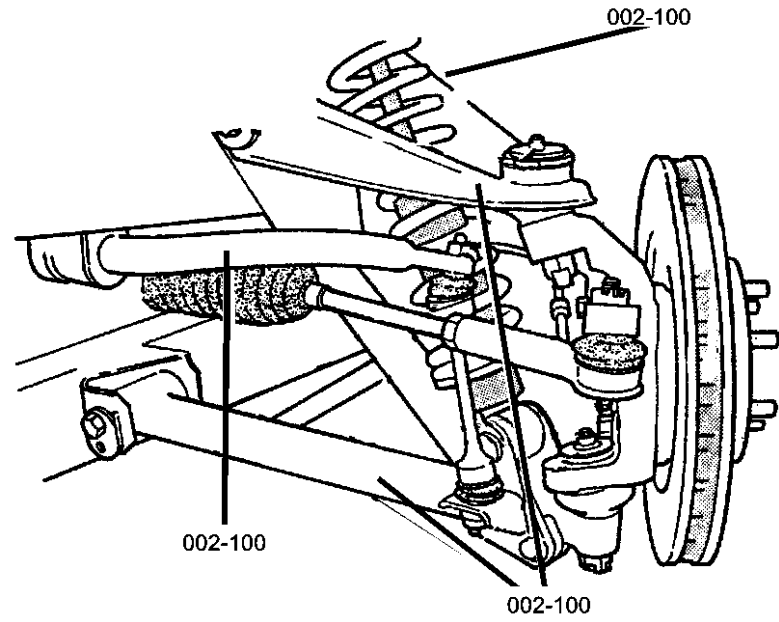
Group - 2 Front Suspension & Drive

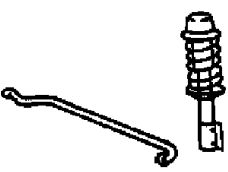
Group-Fig. No.

Illustration Title

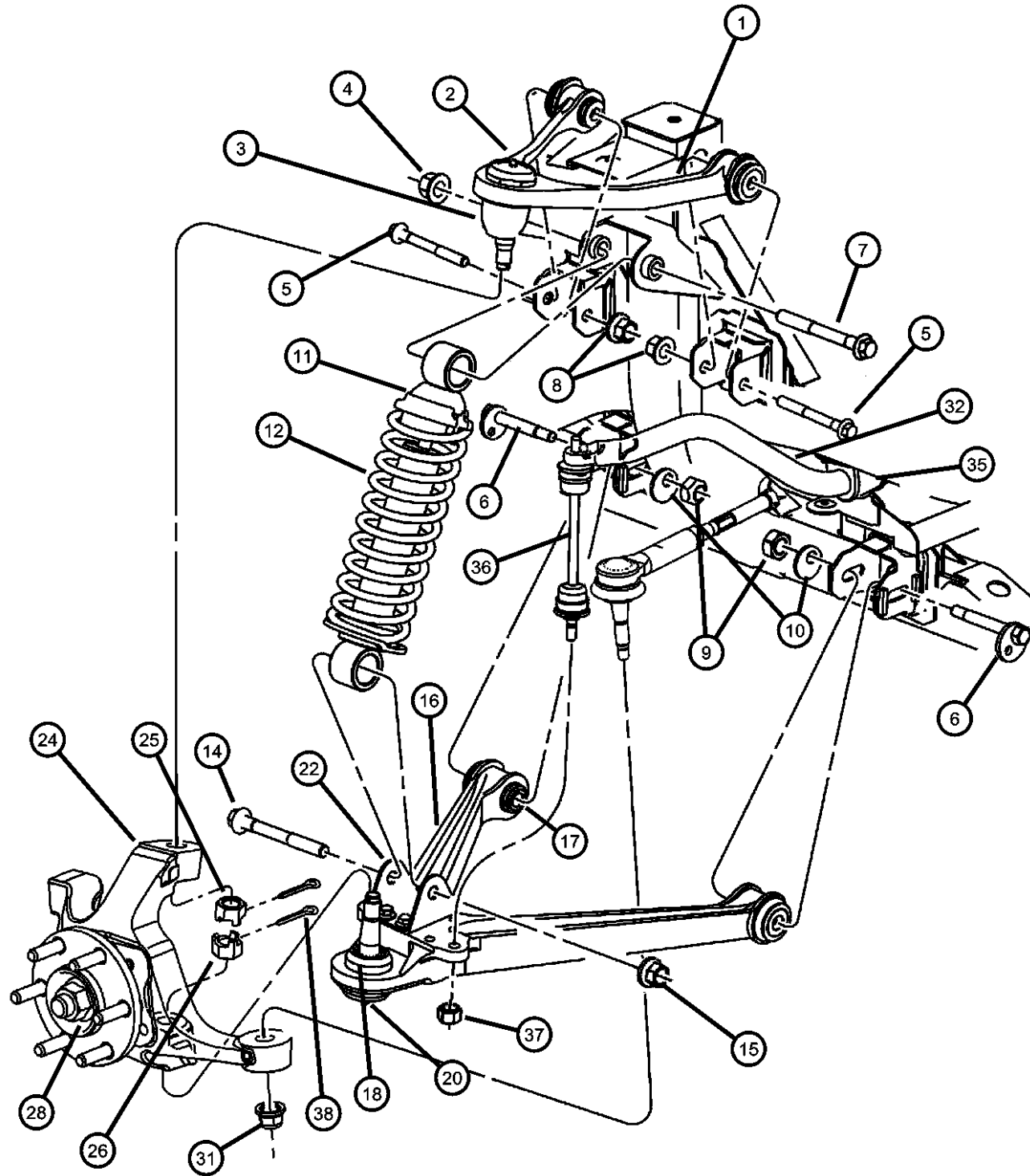
Front Suspension

Suspension, Front..... Fig. 2 - 110



<p>002-100 Front Suspension</p> 			
---	--	--	--

Suspension, Front
Figure 2-110



ITEM	PART NUMBER	QTY	LINE	SERIES	BODY	ENGINE	TRANS	TRIM	DESCRIPTION
------	-------------	-----	------	--------	------	--------	-------	------	-------------

NOTE: Sales Codes
[SDE] = Sport Suspension

1									ARM, Control
	05290276AA	1			27				Upper Right
	05290277AA	1			27				Upper Left
2	06030099	2							FITTING, Ball Joint, Zirc
3	52006405	2							SEAL, Ball Joint
4	06502698	2							NUT, Hex Flange LockShock Mounting Upper
5	06502046	4							BOLT, Suspension Upper Arm
6	06036468AA	4							BOLT, Control Arm Cam
7	06504189	2							SCREWShock Mounting Upper
8	06502585	4							NUT
9	06036467AA	4							NUT, Hex Lock, .50-20, Cam Bolt Lower Control Arm
10	06036469AA	4							WASHER, Control ArmLower Control Arm
11	05290038AC	2			27				SHOCK ABSORBER, Suspension, FrontRight or Left
12	04873102	1							SPRING, Front Suspension Coil
-13	05290233AA	2							BUSHING, Shock Absorber
14	06100969	2							BOLT, Hex Flange Head, M14x2.00x90Shock Absorber Lower Mounting
15	06502698	4							NUT, Hex Flange LockShock Absorber Lower Mounting
16									ARM, Control
	05290690AA	1							Lower Right
	05290691AA	1							Lower Left
17	04848050	2							BUSHING, Control Arm
18	04848050	2							BALL JOINT, Lower Control Arm, Serviced with Control Arm Only, (NOT SERVICED)
-19	04848171	1							GASKET
20	06030099	1							FITTING, Ball Joint, Zirc
-21	52006404	1							SEAL, Ball Joint
22									BRACKET, Shock Mounting
	04709298	1							Right
	04709299	1							Left
-23	06502696	3							NUT, Hex Flange Lock, M14x1.50, Bracket, Control Arm
24									KNUCKLE, Front

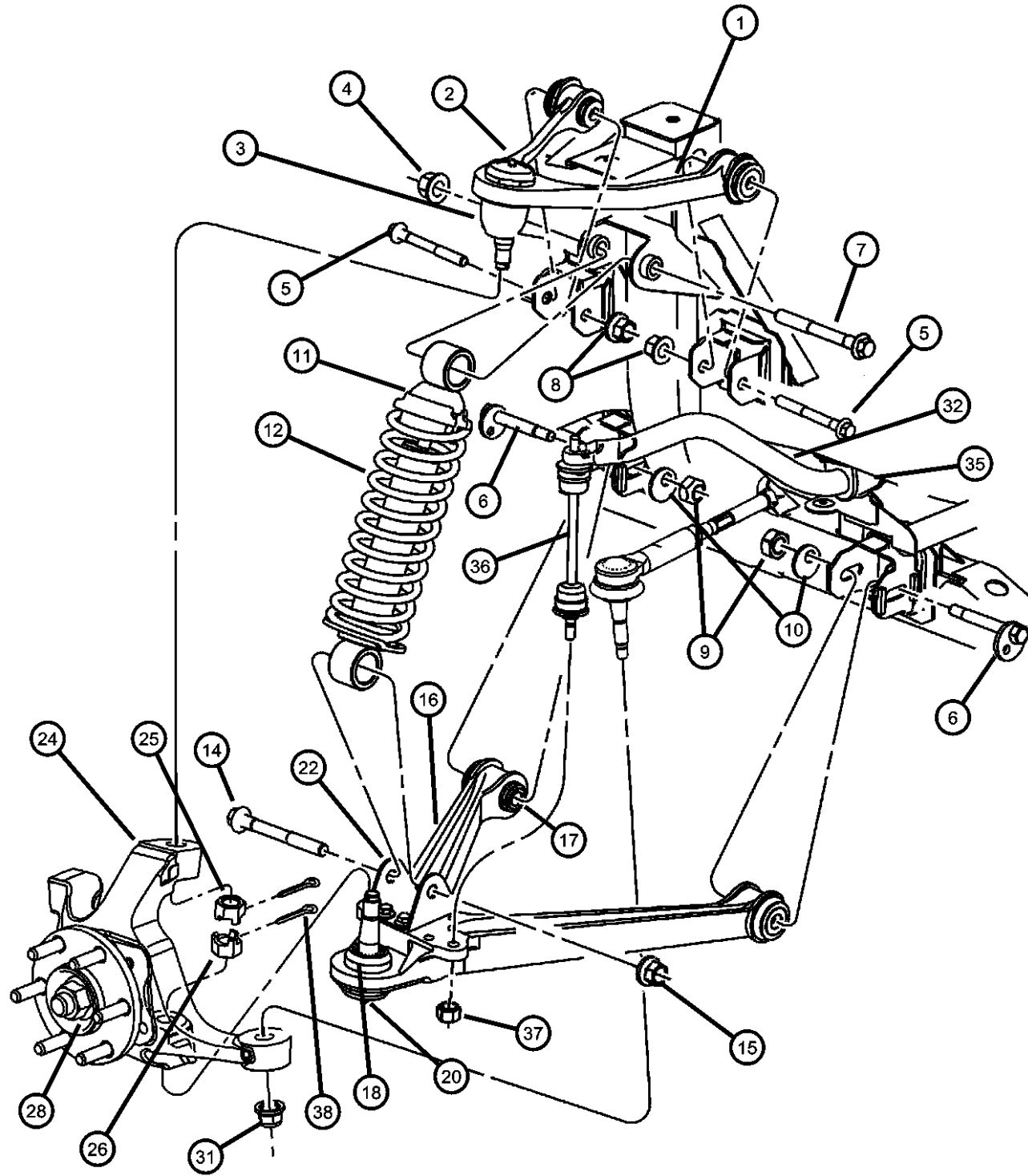
VIPER (ZB)

SERIES	LINE	BODY	ENGINE	TRANSMISSION
S = SRT-10	D = DODGE	27 = 2-DR CONVERTIBLE	EWC = Engine - 8.3L V10 SFI	DEC = 6-Speed Manual
X = Coupe		29 = SPECIALTY COUPE		DBB = All Manual Transmissions

AR = use ase required - = Non illustrated part

2003 ZB

Suspension, Front
Figure 2-110



ITEM	PART NUMBER	QTY	LINE	SERIES	BODY	ENGINE	TRANS	TRIM	DESCRIPTION
	05290030AB	1							Right
	05290031AB	1							Left
25	06035641	2							NUT, Hex, .625-18, Upper Ball Joint to knuckle, Mounting
26	06035670	4							NUT, Hex, Lower Ball Joint to Knuckle, Mounting
-27	04848166	1							GASKET, Front Wheel Bearing
28	04763182AB	1							BEARING
-29	06502136	4							BOLT, Hex Flange Head, M10x1.50x55Hub To Knuckle Mounting
-30	05290695AA	1							SEALHub And Bearing
31	06506557AA	2							NUT AND WASHERTie Rod To Knuckle
32	05290035AB	1							STABILIZER BAR, Front
-33	06100219	2							NUT, Hex Jam, M10x1.5, Link to Bar
-34	04404219AB	2							RETAINER, Stabilizer Bar Grommet, Attaching
35	04643004	2							BUSHING, Stabilizer Bar
36	04763147	2							LINK, Sway Eliminator
37	06502556	2							NUT, Hex, M10-1.5, Sway Bar Link to LCA
38	00120123	4							PIN, Cotter

VIPER (ZB)

SERIES	LINE	BODY	ENGINE	TRANSMISSION
S = SRT-10	D = DODGE	27 = 2-DR CONVERTIBLE	EWC = Engine - 8.3L V10 SFI	DEC = 6-Speed Manual
X = Coupe		29 = SPECIALTY COUPE		DBB = All Manual Transmissions

AR = use ase required - = Non illustrated part

2003 ZB

Group - 3

Rear Axle

Group - 3 Rear Axle

Group-Fig. No.

Illustration Title

Rear Axle

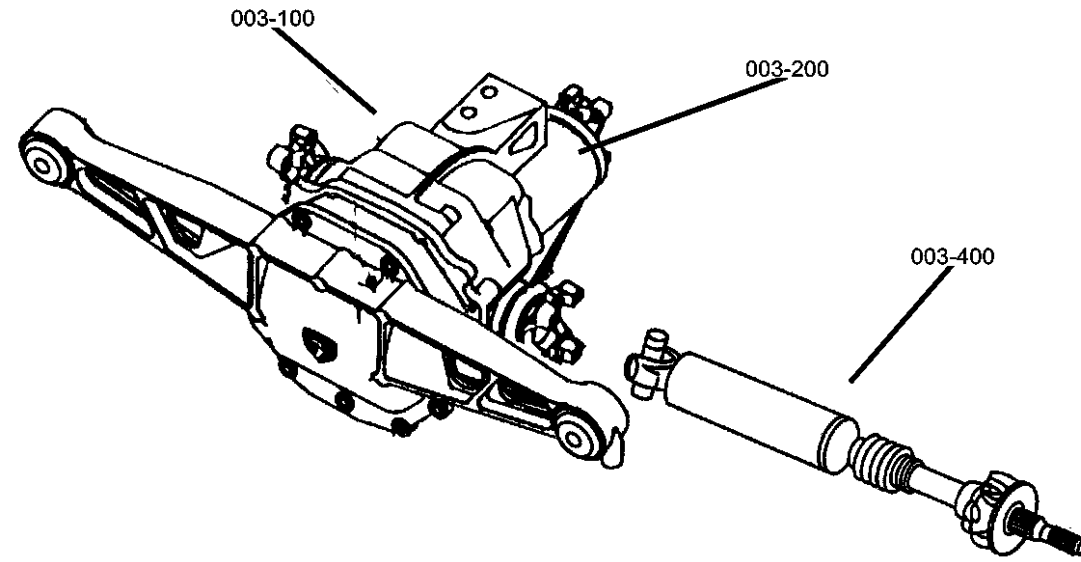
Axle Assembly and Attaching Parts..... Fig. 3 - 110

Differential and Housing

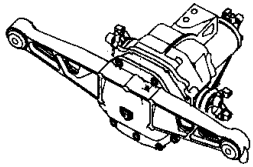
Differential Assembly, Rear..... Fig. 3 - 210

Rear Axle Shafts

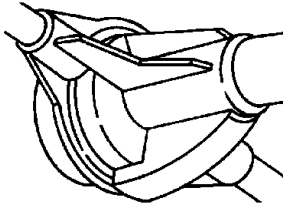
Shaft, Rear Axle..... Fig. 3 - 410



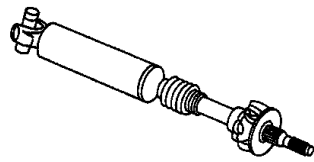
003-100
Rear Axle



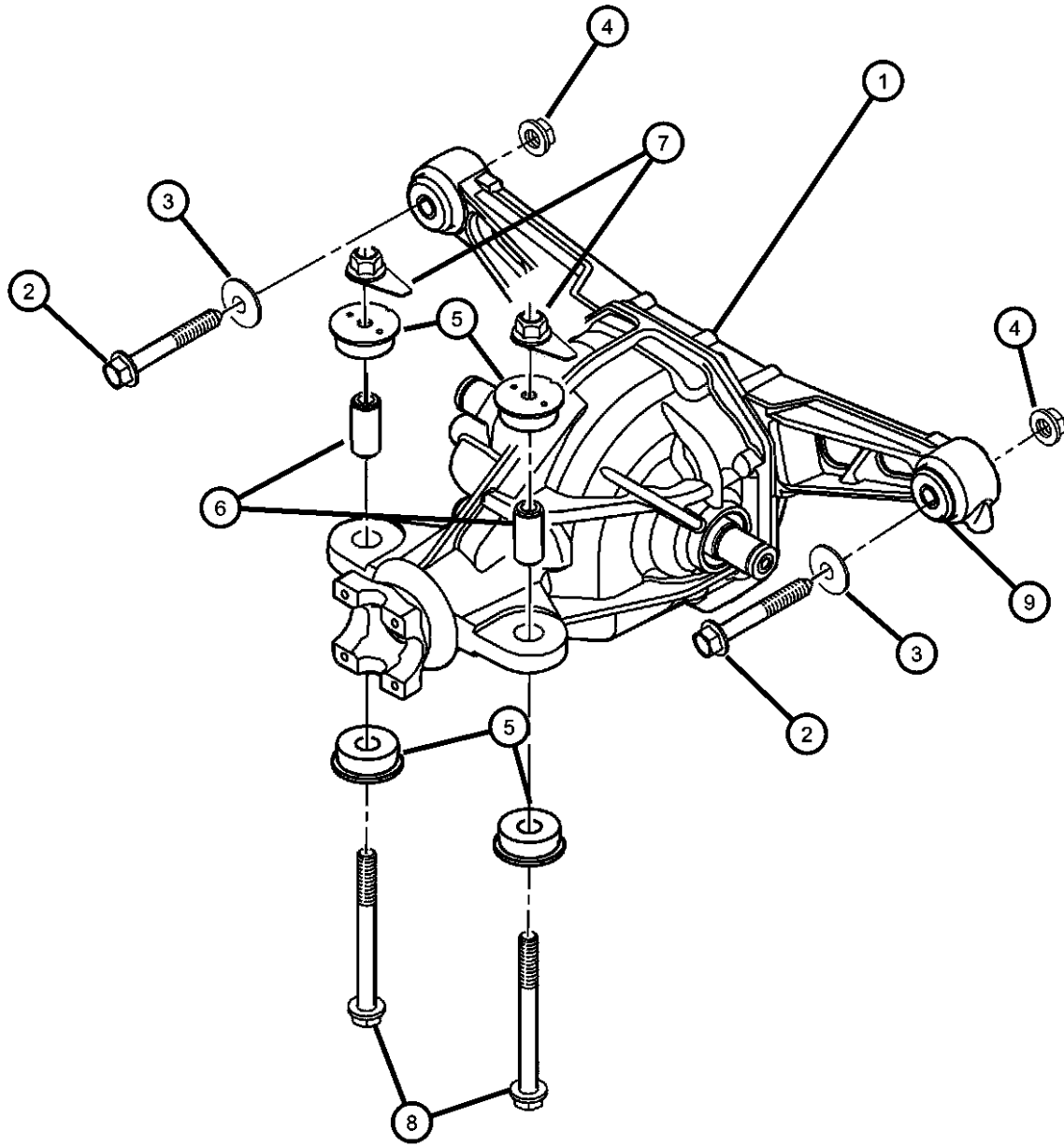
003-200
Differential and Housing



003-400
Rear Axle Shafts



Axle Assembly and Attaching Parts
Figure 3-110



ITEM	PART NUMBER	QTY	LINE	SERIES	BODY	ENGINE	TRANS	TRIM	DESCRIPTION
1	05038025AA	1							DIFFERENTIAL, Rear Axle
2	06100468	2							BOLT, Hex Head, M16x95
3	06506890AA	2							WASHER, Flat
4	06100520	2							NUT, Hex Flange Head Locking, M14x2
5	05037261AA	4							BUSHING, Differential Pinion Mounting
6	05037260AA	2							BUSHING, Axle Mount
7	06504065	2							NUT AND RETAINER, Hex Flange Locking, M12x1.75
8	34202606	2							BOLT, Hex Head
9	04626738AB	2							BUSHING, Axle Mount

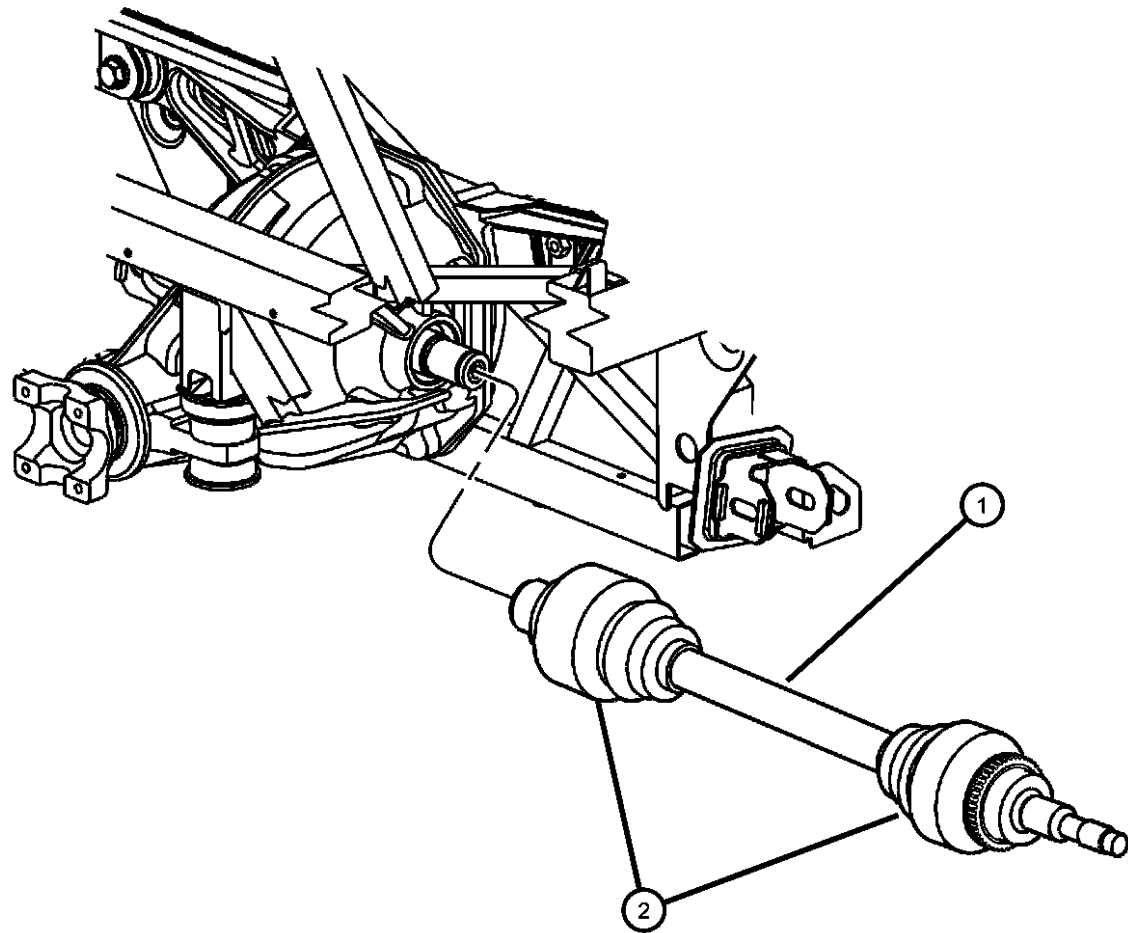
VIPER (ZB)

SERIES	LINE	BODY	ENGINE	TRANSMISSION
S = SRT-10	D = DODGE	27 = 2-DR CONVERTIBLE	EWC = Engine - 8.3L V10 SFI	DEC = 6-Speed Manual
X = Coupe		29 = SPECIALTY COUPE		DBB = All Manual Transmissions

AR = use ase required - = Non illustrated part

Shaft, Rear Axle
Figure 3-410

ITEM	PART NUMBER	QTY	LINE	SERIES	BODY	ENGINE	TRANS	TRIM	DESCRIPTION
1	05038200AA	2							SHAFT, Axle Half
2	05038200AA	2							BOOT KIT, Half Shaft, (NOT SERVICED)



VIPER (ZB)

SERIES
S = SRT-10
X = Coupe

LINE
D = DODGE

BODY
27 = 2-DR CONVERTIBLE
29 = SPECIALTY COUPE

ENGINE
EWC = Engine - 8.3L V10 SFI

TRANSMISSION
DEC = 6-Speed Manual
DBB = All Manual Transmissions

AR = use ase required - = Non illustrated part

2003 ZB

Group - 4

Parking Brake

Group - 4 Parking Brake

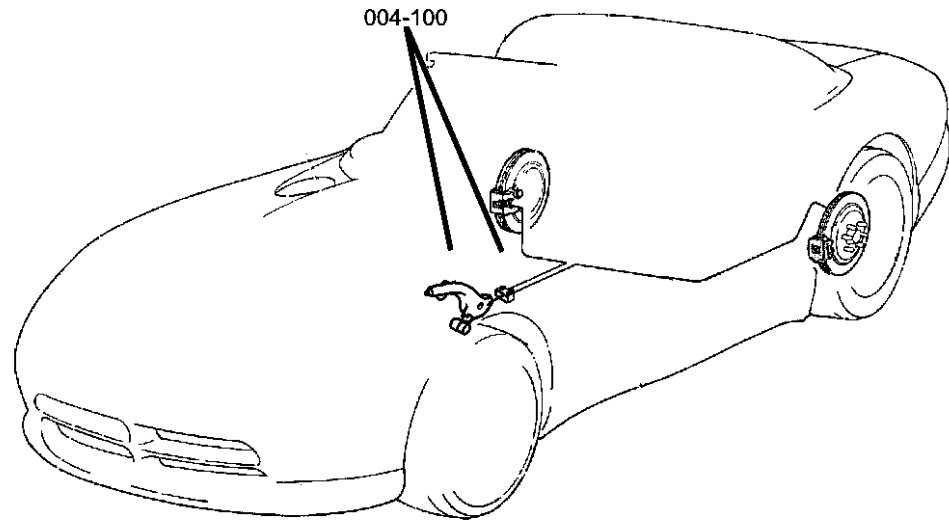
Group-Fig. No.

Illustration Title

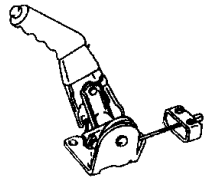
Parking Brake Lever and Cables

Lever Assembly and Cables..... Fig. 4 - 110

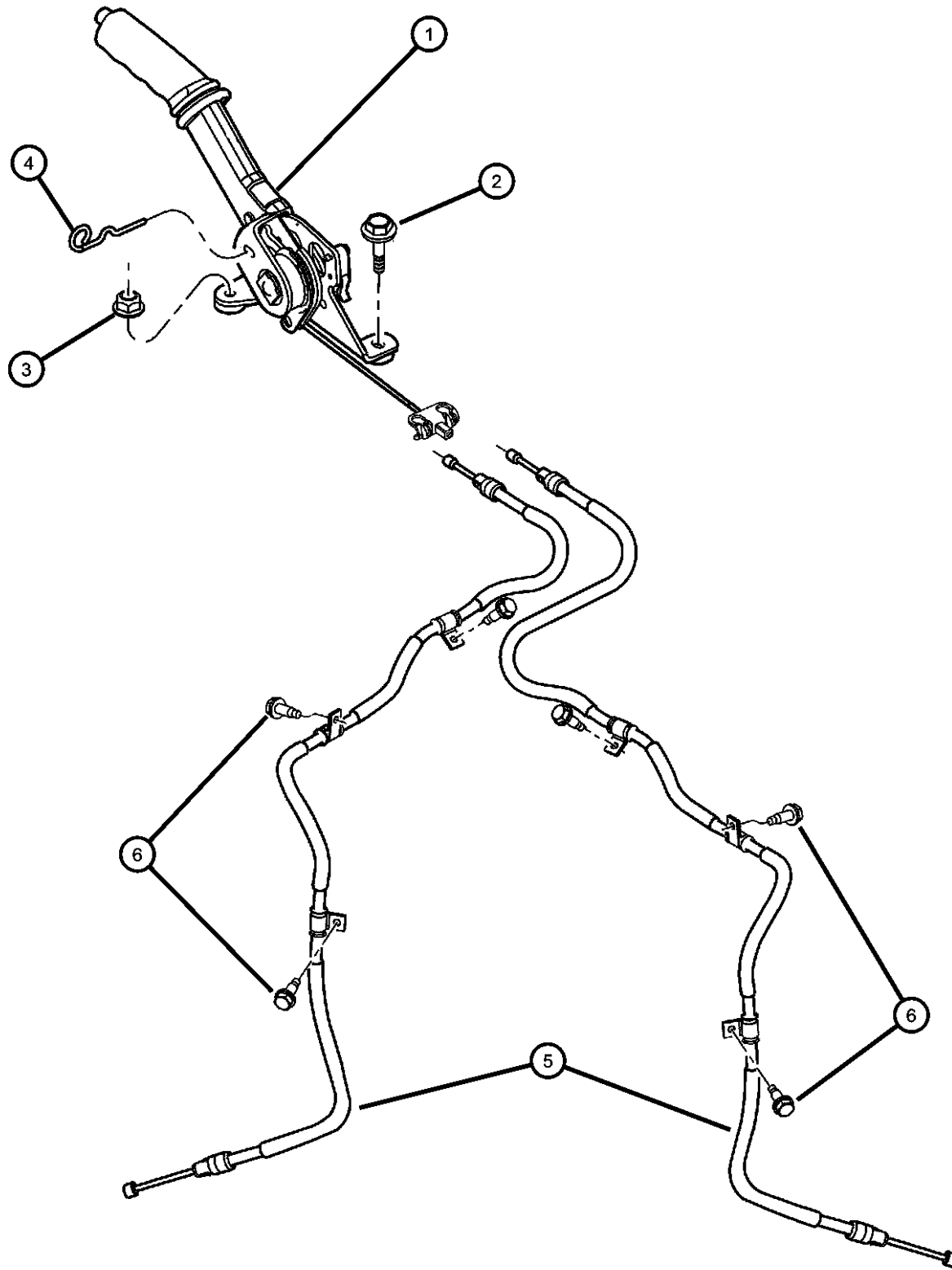
Caliper, Parking Brake..... Fig. 4 - 115



004-100
Parking Brake Lever and Cables



Lever Assembly and Cables
Figure 4-110



ITEM	PART NUMBER	QTY	LINE	SERIES	BODY	ENGINE	TRANS	TRIM	DESCRIPTION
1	05290976AA	1							LEVER, Park Brake
2	05290976AA	1							SCREW, Tap/Hex Flg Hd Type Serrations .250-14x.875, (NOT SERVICED)
3	06101467	1							NUT, Hex Flange, M8x1.25
4	06101467	1							PIN, (NOT SERVICED)
5									CABLE, Parking Brake
	05290284AB	1				27			Right
	05290285AB	1				27			Left
6	05290285AB	1							SCREW, .250-14x.875, (NOT SERVICED)

VIPER (ZB)

SERIES
S = SRT-10
X = Coupe

LINE
D = DODGE

BODY
27 = 2-DR CONVERTIBLE
29 = SPECIALTY COUPE

ENGINE
EWC = Engine - 8.3L V10 SFI

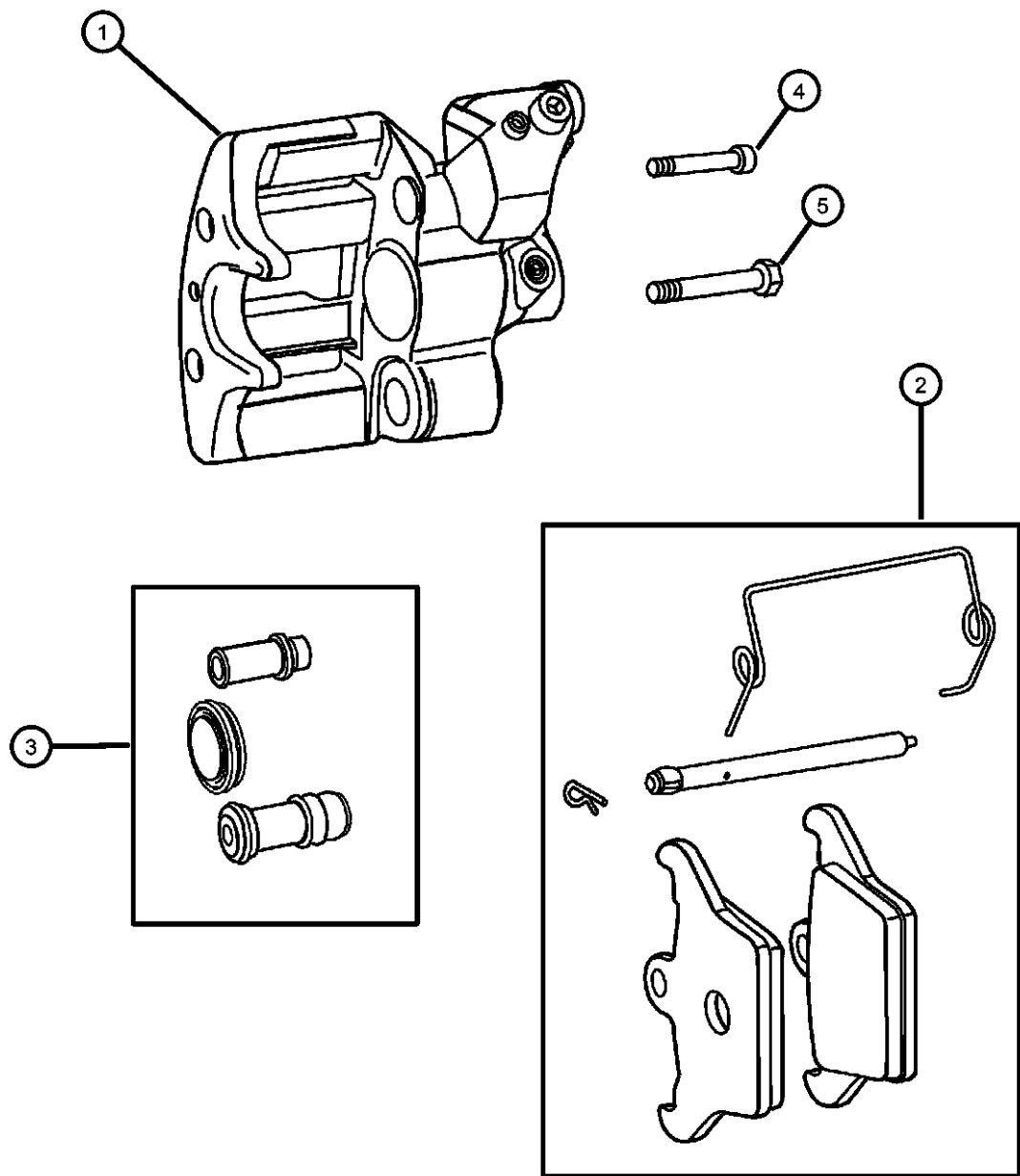
TRANSMISSION
DEC = 6-Speed Manual
DBB = All Manual Transmissions

AR = use ase required - = Non illustrated part

2003 ZB

Caliper, Parking Brake
Figure 4-115

ITEM	PART NUMBER	QTY	LINE	SERIES	BODY	ENGINE	TRANS	TRIM	DESCRIPTION
1	05093308AA	1							CALIPER, Disc Brake Right
	05093309AA	1							Left
2	05093307AA	1							PAD KIT, Disc BrakeRight And Left
3	05093311AA	1							BOOT KIT, RepairRight or Left
4	06507582AA	2							SCREW, Socket Head, M8x1.25x60
5	06507581AA	2							BOLT, Hex Head, M10x1.25x80



VIPER (ZB)

SERIES
S = SRT-10
X = Coupe

LINE
D = DODGE

BODY
27 = 2-DR CONVERTIBLE
29 = SPECIALTY COUPE

ENGINE
EWC = Engine - 8.3L V10 SFI
TRANSMISSION
DEC = 6-Speed Manual
DBB = All Manual Transmissions

AR = use ase required - = Non illustrated part

2003 ZB

Group - 5

Service Brakes

Group - 5 Service Brakes

Group-Fig. No.

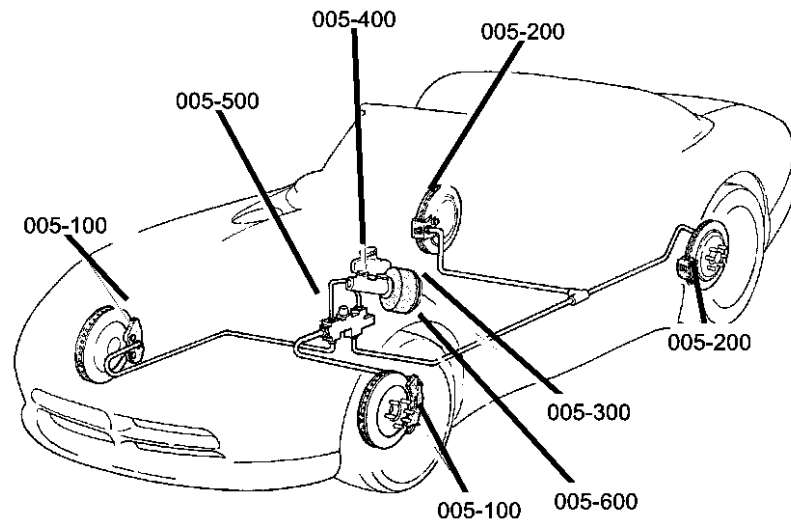


Illustration Title

Front Brakes

Brakes, Front Fig. 5 - 110

Rear Brakes

Brakes, Rear..... Fig. 5 - 210

Power Brake Booster

Booster, Power Brake..... Fig. 5 - 310

Brake Master Cylinder

Master Cylinder, Brake..... Fig. 5 - 410

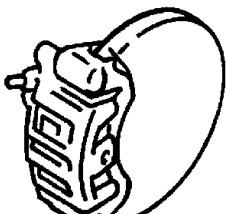
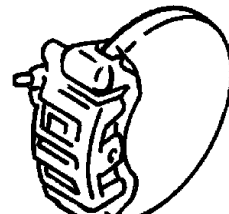
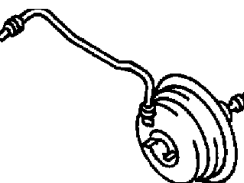
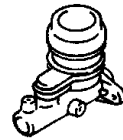
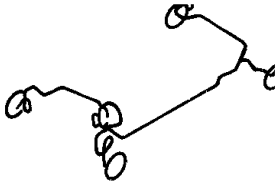

Brake Lines and Hoses

Lines And Hoses, Front..... Fig. 5 - 510

Lines and Hoses, Rear Fig. 5 - 515

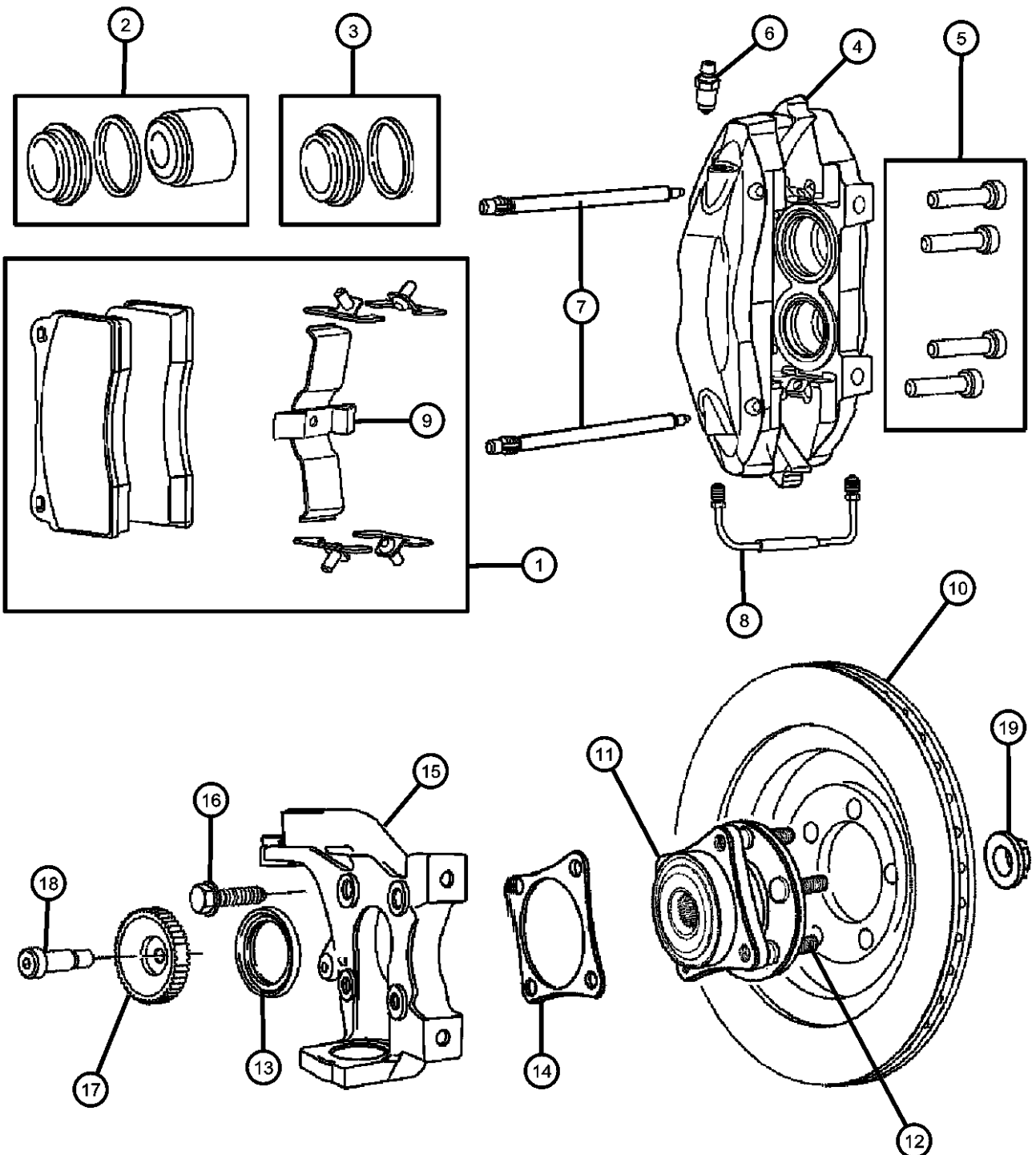
Brake Pedals

Pedal, Brake..... Fig. 5 - 610

<p>005-100 Front Brakes</p> 	<p>005-200 Rear Brakes</p> 	<p>005-300 Power Brake Booster</p> 	<p>005-400 Brake Master Cylinder</p> 
<p>005-500 Brake Lines and Hoses</p> 	<p>005-600 Brake Pedals</p> 		

**Brakes, Front
Figure 5-110**

ITEM	PART NUMBER	QTY	LINE	SERIES	BODY	ENGINE	TRANS	TRIM	DESCRIPTION
1	05093291AA	2							PAD KIT, Disc Brake, Contains-Pads
2	05093294AA	1							PISTON KIT, Front Brake Contains 2-Pistons [44mm Dia] Boots, Seals
	05093295AA	1							Contains 2-Pistons [40mm Dia] Boots, Seals
3	05093296AA	1							BOOT KIT, Disc brake, Contains; [2 -44mm Dia] and [2-40mm Dia] Boots
4	05093292AA	1							CALIPER, Disc Brake Black in Color, Right
	05093293AA	1							Black in Color, Left
	05136152AA	1			27				Red in Color, Right
	05136153AA	1			27				Red in Color, Left
5	06507587AA	4							SCREW, Cap, Caliper to Knuckle
6	05093297AA	2							BLEEDER SCREW, Brake
7	05093302AA	1							PIN KIT, Disc Brake
8	05135210AA	1							TUBE, Brake
9	05093303AA	1							CLIP, Brake Caliper
10	05290394AA	2							ROTOR, Brake
11	04763182AB	1							BEARING
12	06033702	6							BOLT, D Head, .50-20x2.00
13	05290695AA	1							SEAL, Tone Wheel
14	04848166	1							GASKET, Front Wheel Bearing
15	05290030AC	1							KNUCKLE, Front Right
	05290031AC	1							Left
16	06502136	4							BOLT, Hex Flange Head, M10x1.50x55Knuckle/Hub Assembly
17	04854411AA	2							RING, Tone
18	05290042AA	2							BOLT, Tone Wheel Retainer
19	06502294	2							NUT, Hex Flange, M22x1.25
-20	05290952AA	2							SENSOR, Anti-Lock Brakes

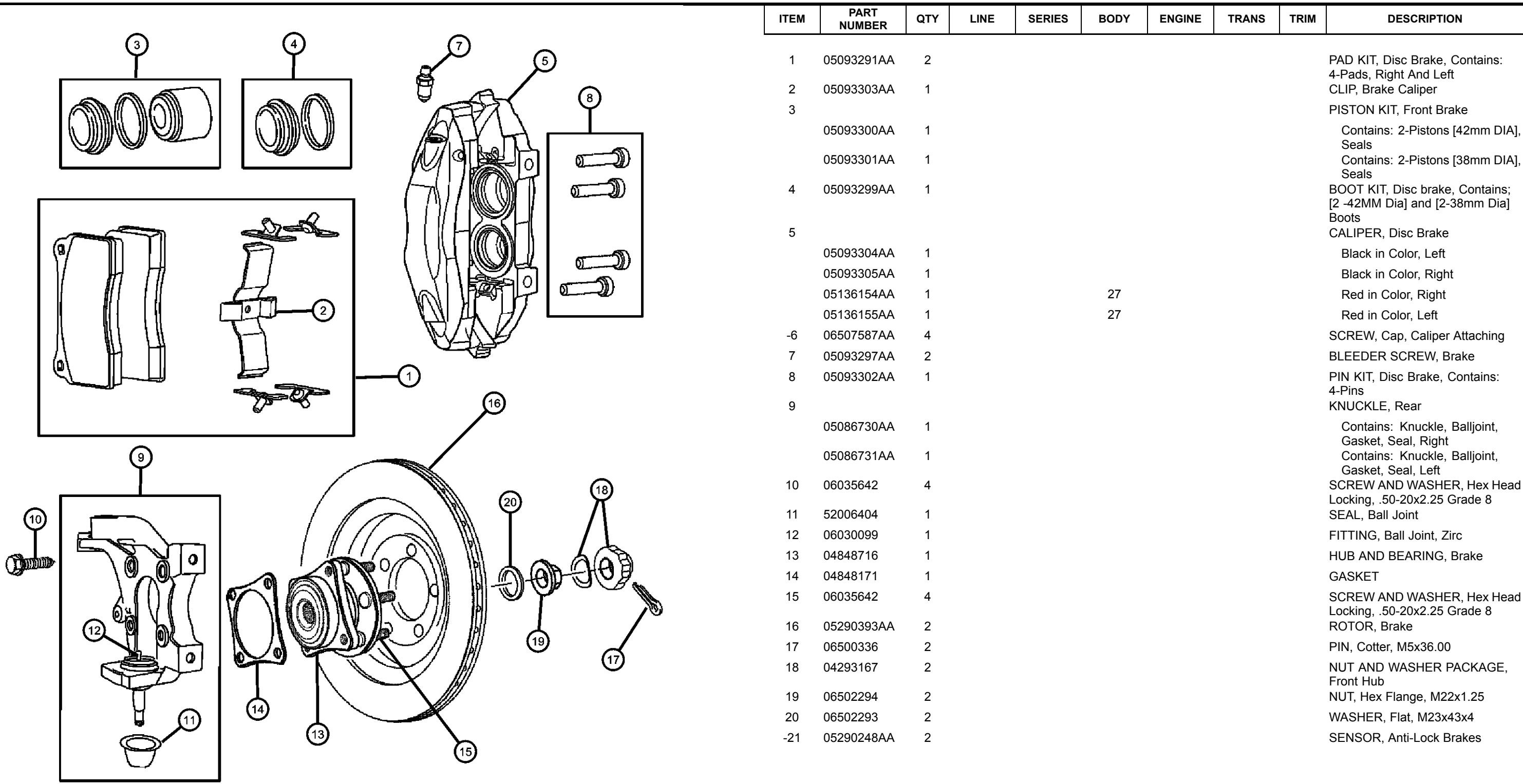


VIPER (ZB)

SERIES	LINE	BODY	ENGINE	TRANSMISSION
S = SRT-10	D = DODGE	27 = 2-DR CONVERTIBLE	EWC = Engine - 8.3L V10 SFI	DEC = 6-Speed Manual
X = Coupe		29 = SPECIALTY COUPE		DBB = All Manual Transmissions

AR = use ase required - = Non illustrated part

Brakes, Rear
Figure 5-210



ITEM	PART NUMBER	QTY	LINE	SERIES	BODY	ENGINE	TRANS	TRIM	DESCRIPTION
1	05093291AA	2							PAD KIT, Disc Brake, Contains: 4-Pads, Right And Left
2	05093303AA	1							CLIP, Brake Caliper
3	05093300AA	1							PISTON KIT, Front Brake Contains: 2-Pistons [42mm DIA], Seals
4	05093301AA	1							Contains: 2-Pistons [38mm DIA], Seals
4	05093299AA	1							BOOT KIT, Disc brake, Contains; [2 -42MM Dia] and [2-38mm Dia] Boots
5	05093304AA	1							CALIPER, Disc Brake Black in Color, Left
	05093305AA	1							Black in Color, Right
	05136154AA	1			27				Red in Color, Right
	05136155AA	1			27				Red in Color, Left
-6	06507587AA	4							SCREW, Cap, Caliper Attaching
7	05093297AA	2							BLEEDER SCREW, Brake
8	05093302AA	1							PIN KIT, Disc Brake, Contains: 4-Pins
9	05086730AA	1							KNUCKLE, Rear Contains: Knuckle, Balljoint, Gasket, Seal, Right
	05086731AA	1							Contains: Knuckle, Balljoint, Gasket, Seal, Left
10	06035642	4							SCREW AND WASHER, Hex Head Locking, .50-20x2.25 Grade 8
11	52006404	1							SEAL, Ball Joint
12	06030099	1							FITTING, Ball Joint, Zirc
13	04848716	1							HUB AND BEARING, Brake
14	04848171	1							GASKET
15	06035642	4							SCREW AND WASHER, Hex Head Locking, .50-20x2.25 Grade 8
16	05290393AA	2							ROTOR, Brake
17	06500336	2							PIN, Cotter, M5x36.00
18	04293167	2							NUT AND WASHER PACKAGE, Front Hub
19	06502294	2							NUT, Hex Flange, M22x1.25
20	06502293	2							WASHER, Flat, M23x43x4
-21	05290248AA	2							SENSOR, Anti-Lock Brakes

VIPER (ZB)

SERIES LINE
S = SRT-10 D = DODGE
X = Coupe

BODY
27 = 2-DR CONVERTIBLE
29 = SPECIALTY COUPE

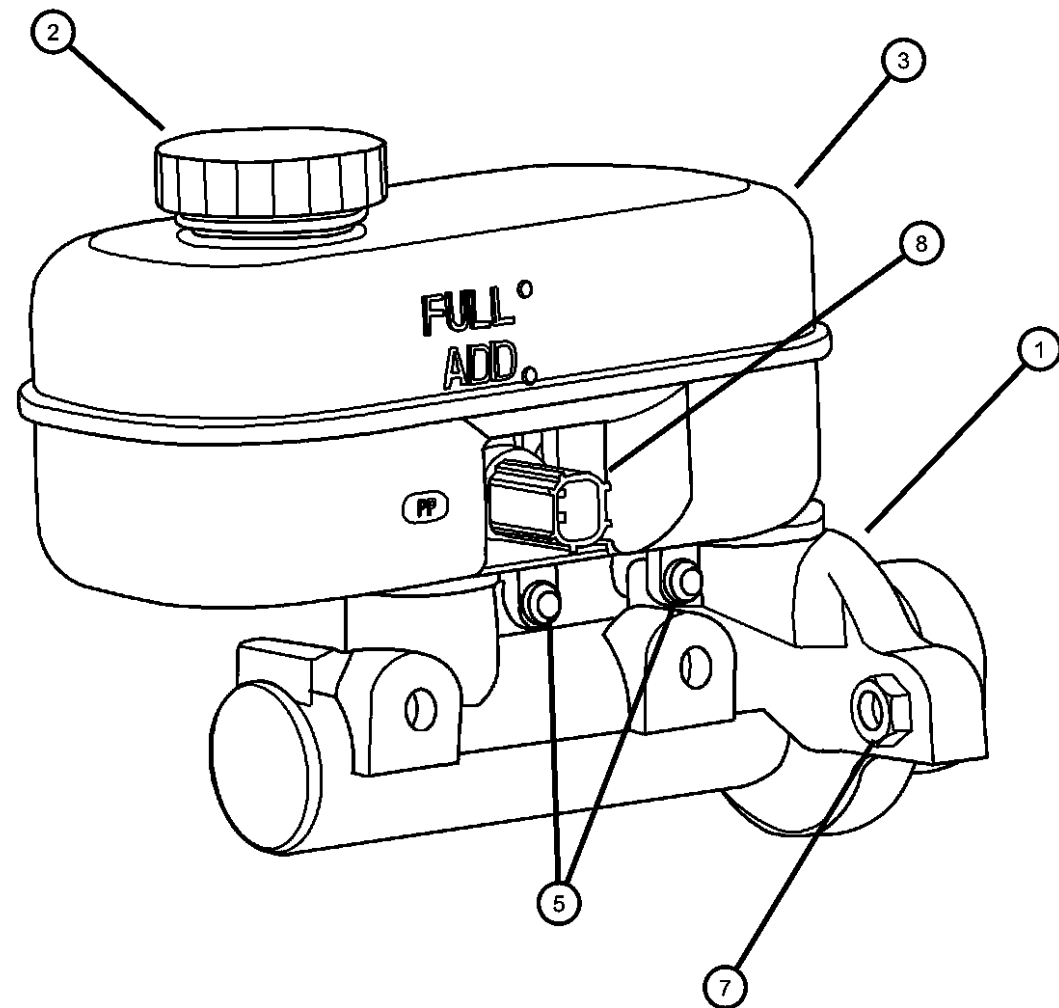
ENGINE TRANSMISSION
EWC = Engine - 8.3L V10 SFI DEC = 6-Speed Manual
DBB = All Manual Transmissions

AR = use ase required - = Non illustrated part

2003 ZB

Master Cylinder, Brake
Figure 5-410

ITEM	PART NUMBER	QTY	LINE	SERIES	BODY	ENGINE	TRANS	TRIM	DESCRIPTION
1	05093049AA V1103049AA	1							MASTER CYLINDER, Brake Mopar Alternative Part - Master Cylinder
2	04683656	1							CAP, Master Cylinder Reservoir
3	05072995AA	1							RESERVOIR, Brake Master Cylinder
-4	04723395	1							SEAL, Master Cylinder To Booster
5	04723394	2							PIN, Master Cylinder Reservoir
-6	04723389	2							GROMMET, Master Cylinder Reservoir
7	04723389	2							NUT, Hex Lock, M8x1.25, (NOT SERVICED)
8	05093251AA	1							SWITCH, Brake Fluid Level



VIPER (ZB)

SERIES
 S = SRT-10
 X = Coupe

LINE
 D = DODGE

BODY
 27 = 2-DR CONVERTIBLE
 29 = SPECIALTY COUPE

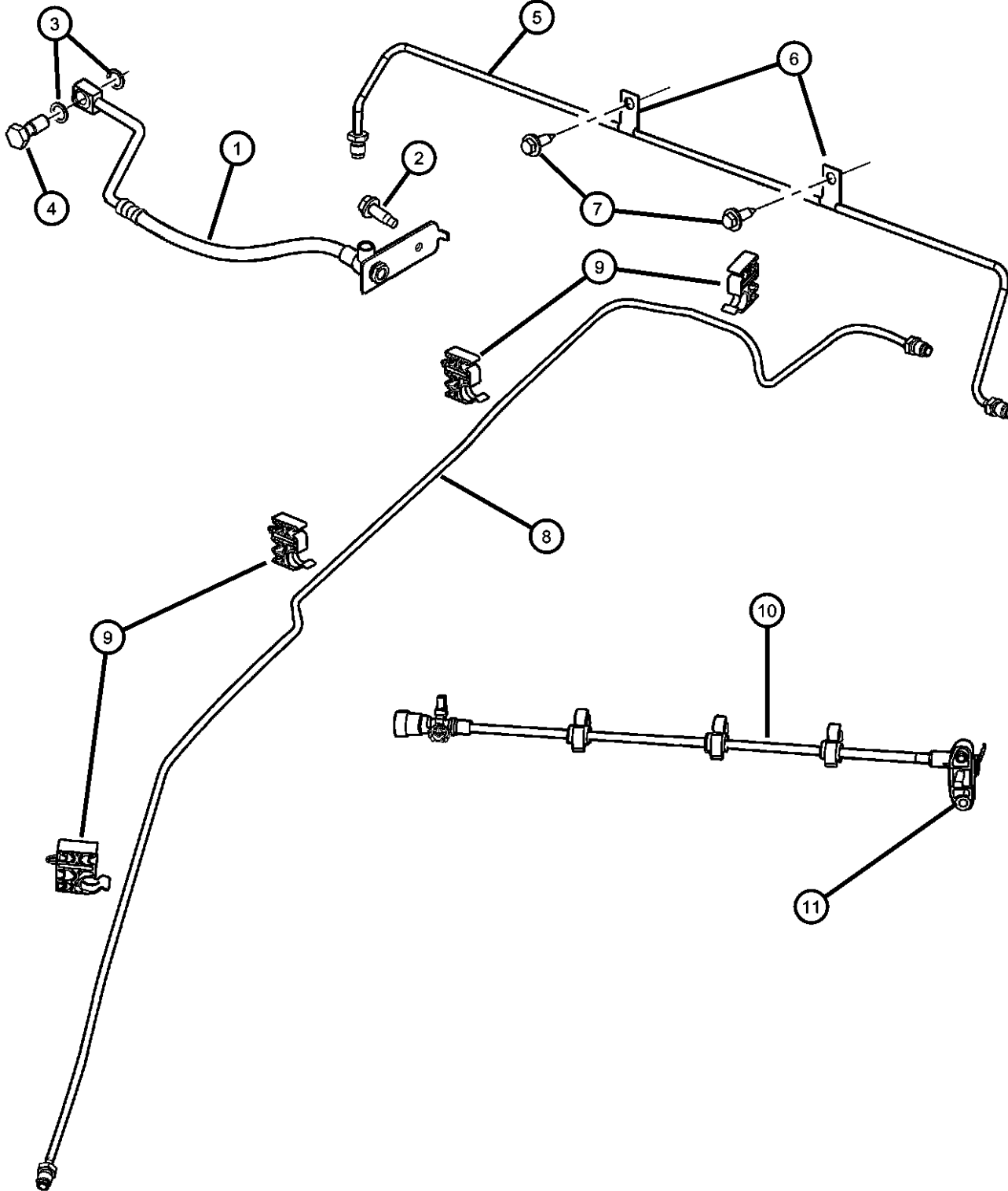
ENGINE
 EWC = Engine - 8.3L V10 SFI

TRANSMISSION
 DEC = 6-Speed Manual
 DBB = All Manual Transmissions

AR = use ase required - = Non illustrated part

2003 ZB

Lines and Hoses, Rear
Figure 5-515



ITEM	PART NUMBER	QTY	LINE	SERIES	BODY	ENGINE	TRANS	TRIM	DESCRIPTION
1	05290112AA	1							HOSE, Brake Right
	05290113AA	1							Left
2	06100575	4							BOLT AND CONED WASHER, Hex Head, M8x25x17 Brake Hose To Frame
3	06502114	8							WASHER, Brake Hose Brake Hose To Caliper
4	06505801AA	4							BOLT, Banjo
5	05290857AA	1							TUBE, Brake
6	04683653	2							CLIP, Tube
7	00154910AA	2			27				SCREW, Clip Attaching Rear Tube
8	05290103AA	1							TUBE, Brake
9	05085043AA	5				27			CLIP, Fuel Bundle
10	05290248AA	2							SENSOR, Anti-Lock Brakes
11	06101737	2				27			SCREW, M6x1.0x18

VIPER (ZB)

SERIES

S = SRT-10

X = Coupe

LINE

D = DODGE

BODY

27 = 2-DR CONVERTIBLE

29 = SPECIALTY COUPE

ENGINE

EWC = Engine - 8.3L V10 SFI

TRANSMISSION

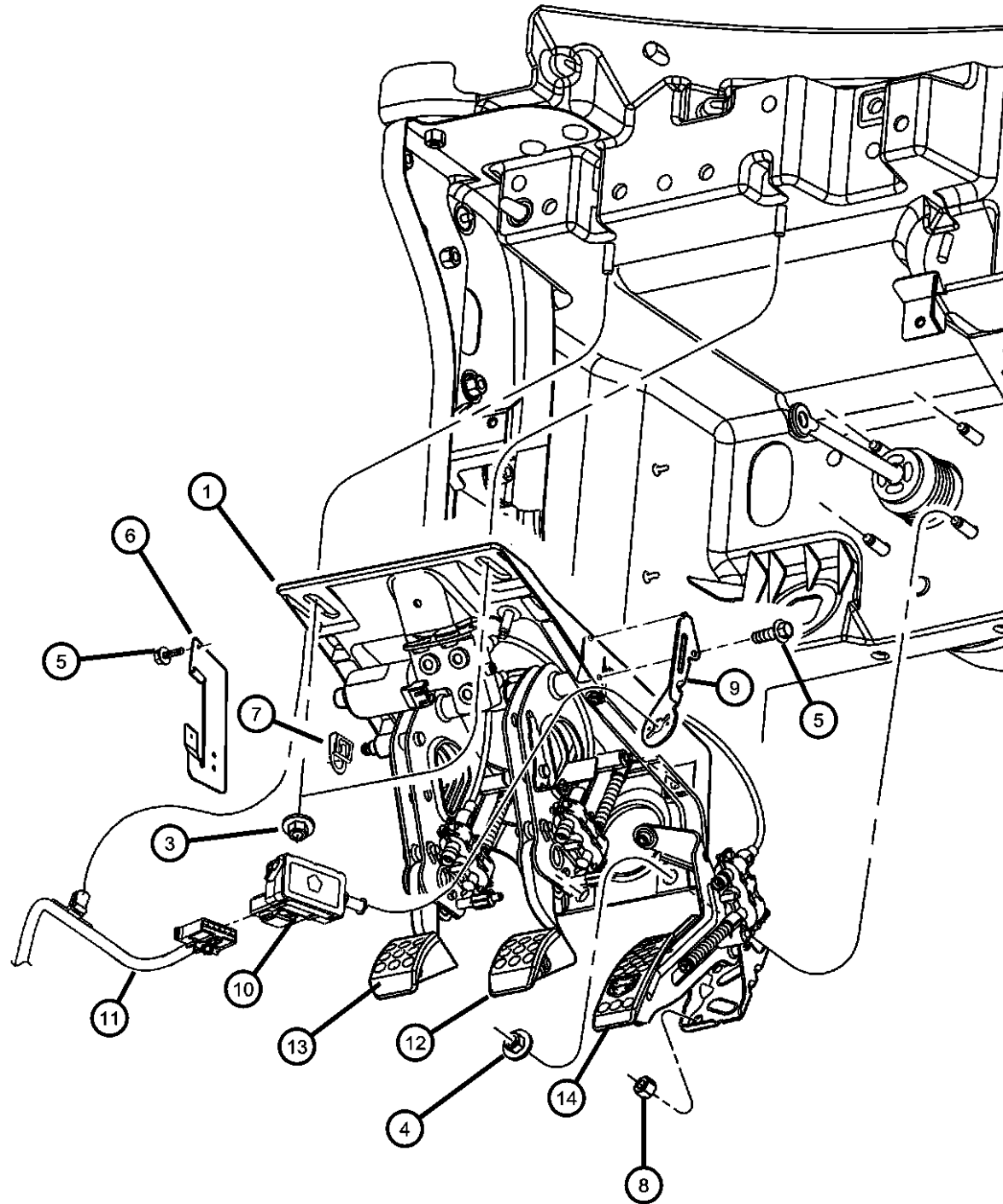
DEC = 6-Speed Manual

DBB = All Manual Transmissions

AR = use ase required - = Non illustrated part

2003 ZB

Pedal, Brake
Figure 5-610



ITEM	PART NUMBER	QTY	LINE	SERIES	BODY	ENGINE	TRANS	TRIM	DESCRIPTION
1	05290890AA	1							PEDAL, Brake, Clutch, and Accelerator
-2	56042387	1							SWITCH, Electric Pedal Adjust
3	06102167AA	2							NUT AND WASHER, Sled
4	J4003909	4							NUT, Hex Flange With Serration
5	J4003909	4							SCREW, M5X0.8X10.00, (NOT SERVICED)
6	05029211AA	1							BRACKET, Wiring Harness
7	04294036	1							CLIPMaster Cylinder Push Rod
8	06101444	2							NUT AND WASHER, Hex, M6x1.0, Gas Pedal To Floor
9	05029206AB	1							BRACKET, Stop Lamp Switch
10	05083344AA	1							SWITCH PACKAGE, Stop Lamp
11	05083344AA	1							WIRING, Instrument Panel, See Electrical Group 008, (NOT SERVICED)
12	05102045AA	1			27				PAD, Brake Pedal
13	05102046AA	1			27				PAD, Clutch Pedal
14	05102047AA	1			27				PAD, Accelerator Pedal

VIPER (ZB)

SERIES
S = SRT-10
X = Coupe

LINE
D = DODGE

BODY
27 = 2-DR CONVERTIBLE
29 = SPECIALTY COUPE

ENGINE
EWC = Engine - 8.3L V10 SFI

TRANSMISSION
DEC = 6-Speed Manual
DBB = All Manual Transmissions

AR = use ase required - = Non illustrated part

2003 ZB

Group - 6

Clutch

Group - 6 Clutch

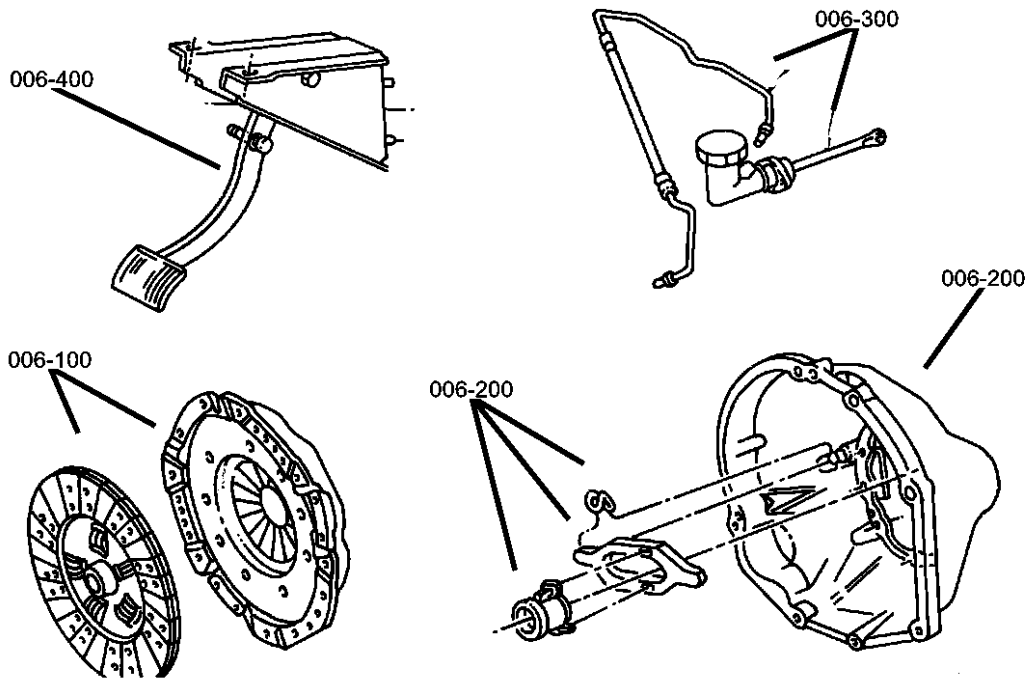


Illustration Title

Group-Fig. No.

Clutch

Clutch Fig. 6 - 110

Clutch Housing

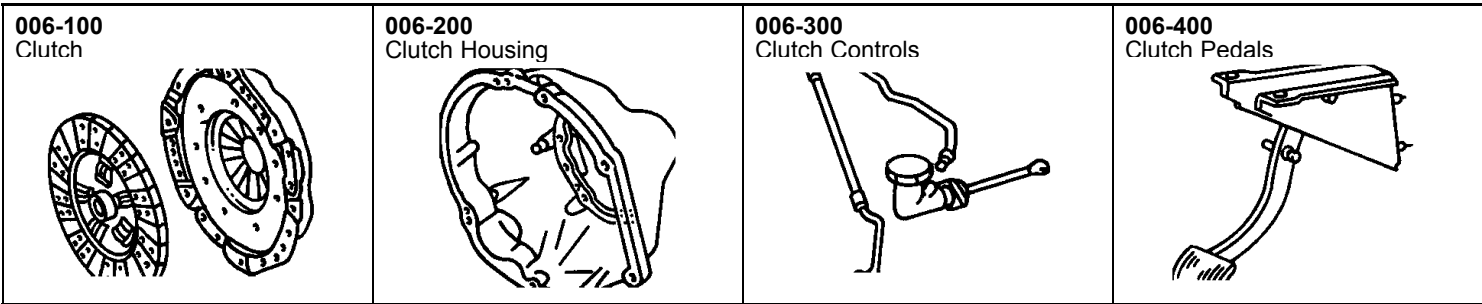
Cylinder Assembly, Clutch Housing & Concentric Slave Fig. 6 - 210

Clutch Controls

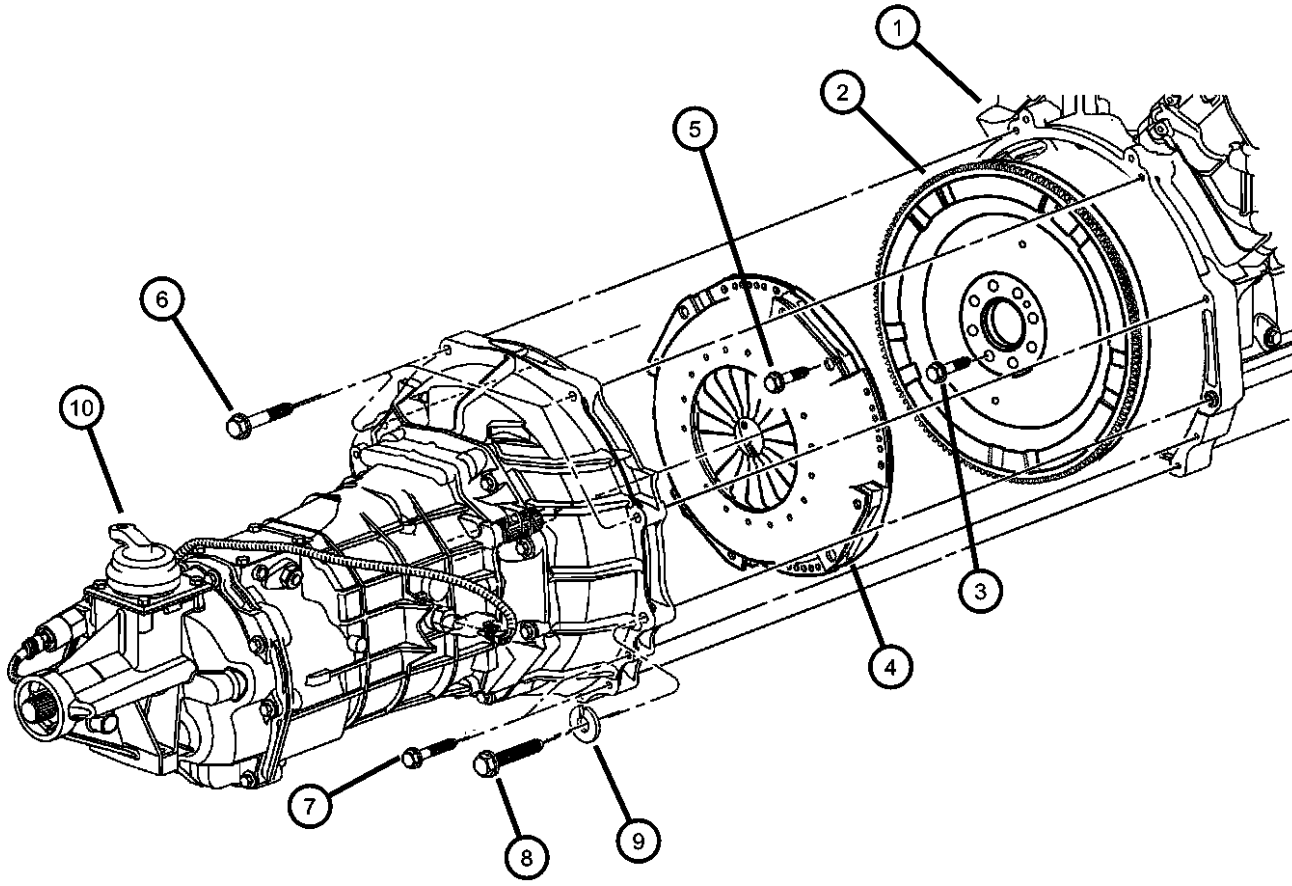
Clutch Actuation System..... Fig. 6 - 310

Clutch Pedals

Clutch Pedal Fig. 6 - 410



Clutch
Figure 6-110



ITEM	PART NUMBER	QTY	LINE	SERIES	BODY	ENGINE	TRANS	TRIM	DESCRIPTION
------	-------------	-----	------	--------	------	--------	-------	------	-------------

NOTE:
Sales Codes:
[EWC]=8.3L V-10 Engine

1	05102047AA	1							ENGINE, Complete, See Engine Group, (NOT SERVICED)
2	05037226AB	1				EWC			FLYWHEEL
3	06035811	8				EWC			BOLT, Hex Head, .437-20x1.50
4	04848708AC	1				EWC			PLATE, Clutch Pressure, Clutch Kit, Includes Pressure Plate & Clutch Disc
5	06036611AA	8				EWC			BOLT
6	00153371	4							BOLT, Hex Head, .375-16x2.25, Transmission To Engine Top
7	00154927AA	4							SCREW, Transmission To Engine Oil Pan
8	00181148	2							SCREW, Hex Head, .437-14x2.75, Transmission To Engine Dowels
9	09417838	2							WASHER, Flat
10	09417838	2							TRANSMISSION, 6 speed, See Transmission Group, (NOT SERVICED)

VIPER (ZB)

SERIES	LINE	BODY	ENGINE	TRANSMISSION
S = SRT-10	D = DODGE	27 = 2-DR CONVERTIBLE	EWC = Engine - 8.3L V10 SFI	DEC = 6-Speed Manual
X = Coupe		29 = SPECIALTY COUPE		DBB = All Manual Transmissions

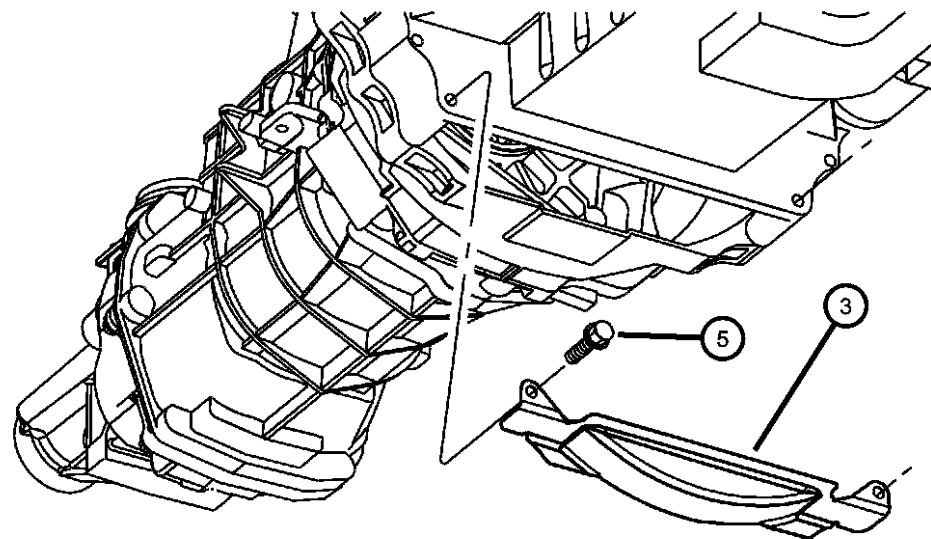
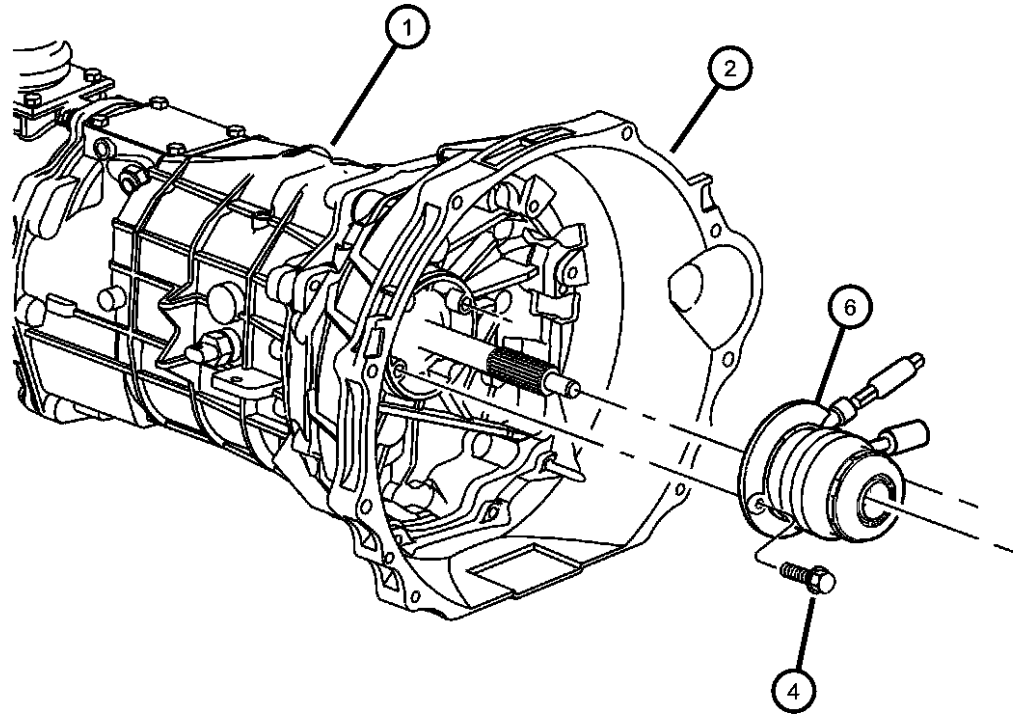
AR = use ase required - = Non illustrated part

Cylinder Assembly, Clutch Housing & Concentric Slave
Figure 6-210

ITEM	PART NUMBER	QTY	LINE	SERIES	BODY	ENGINE	TRANS	TRIM	DESCRIPTION
------	-------------	-----	------	--------	------	--------	-------	------	-------------

NOTE:
 Sales Code:
 [DEC]=6 Speed Manual Transmission

1	09417838	2							TRANSMISSION, See Transmission Group, (NOT SERVICED)
2	05093034AA	1					DEC		HOUSING, Clutch
3	05037330AD	1							COVER, Transmission Dust
4	06100296	2							BOLT, Hex Head
5	06035666	2							SCREW, Hex Flange Head, .25-20x1.00
6	05037357AA	1							CYLINDER, Clutch Slave



VIPER (ZB)

SERIES	LINE	BODY	ENGINE	TRANSMISSION
S = SRT-10	D = DODGE	27 = 2-DR CONVERTIBLE	EWC = Engine - 8.3L V10 SFI	DEC = 6-Speed Manual
X = Coupe		29 = SPECIALTY COUPE		DBB = All Manual Transmissions

AR = use ase required - = Non illustrated part

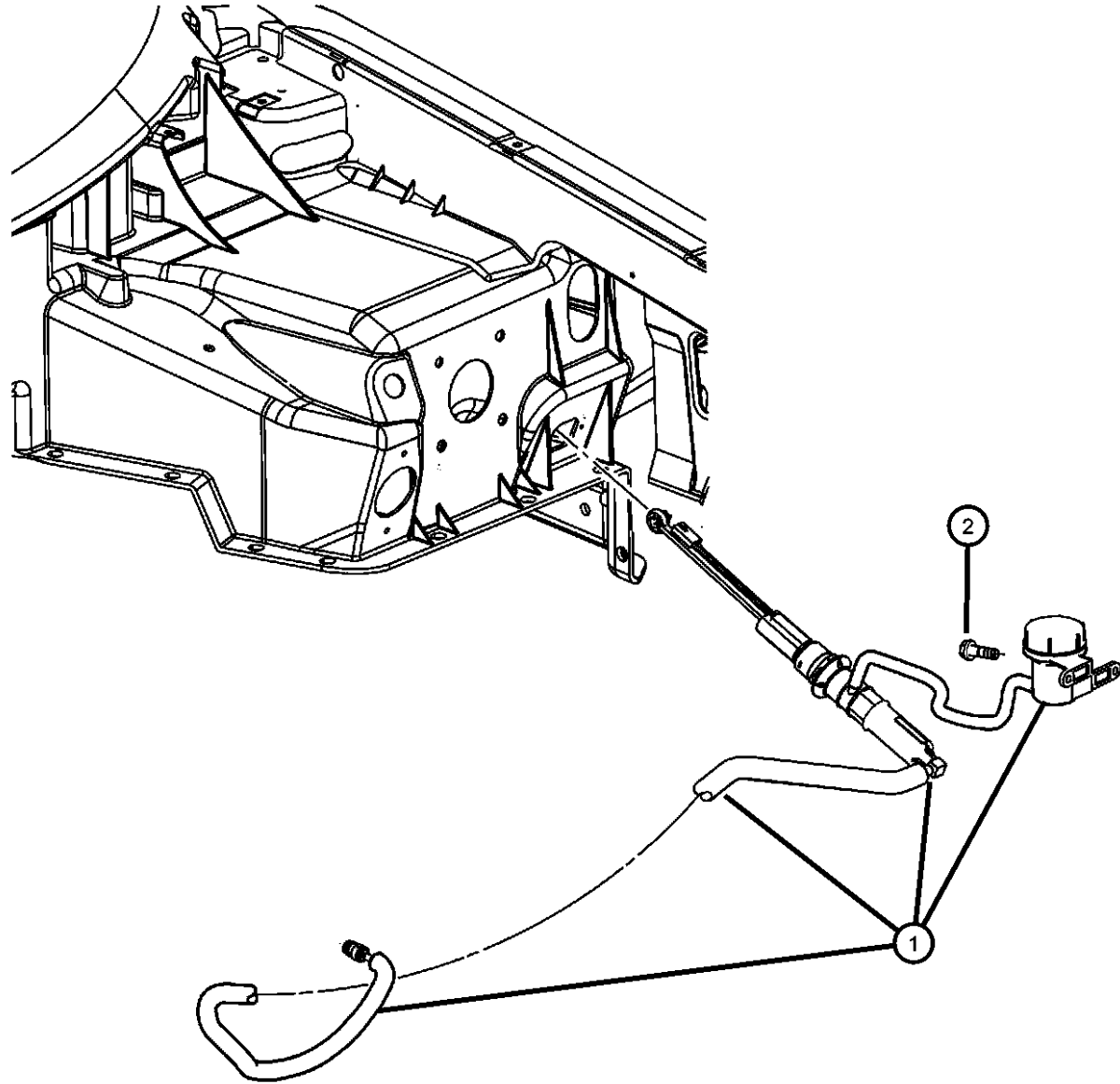
2003 ZB

**Clutch Actuation System
Figure 6-310**

ITEM	PART NUMBER	QTY	LINE	SERIES	BODY	ENGINE	TRANS	TRIM	DESCRIPTION
------	-------------	-----	------	--------	------	--------	-------	------	-------------

NOTE: Clutch Interlock Switch Serviced With Hydraulic Actuator

1	04642666AC	1							ACTUATOR, Hydraulic Clutch
2	06101650	2							SCREW AND WASHER, M5X.80X20.00



VIPER (ZB)

SERIES
S = SRT-10
X = Coupe

LINE
D = DODGE

BODY
27 = 2-DR CONVERTIBLE
29 = SPECIALTY COUPE

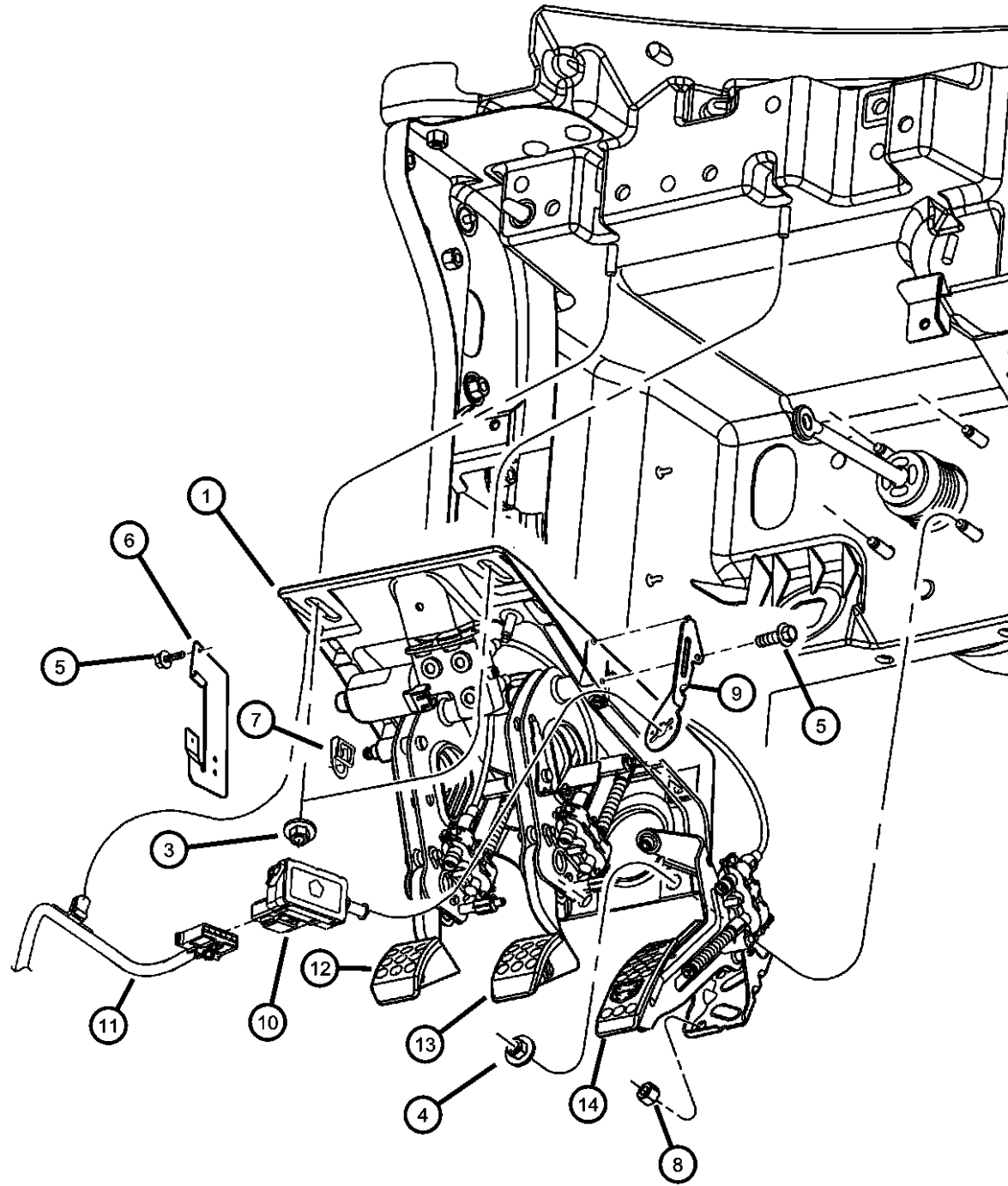
ENGINE
EWC = Engine - 8.3L V10 SFI

TRANSMISSION
DEC = 6-Speed Manual
DBB = All Manual Transmissions

AR = use ase required - = Non illustrated part

2003 ZB

**Clutch Pedal
Figure 6-410**



ITEM	PART NUMBER	QTY	LINE	SERIES	BODY	ENGINE	TRANS	TRIM	DESCRIPTION
1	05290890AA	1							PEDAL, Brake, Clutch, and Accelerator
-2	56042387	1							SWITCH, ELECTRIC PEDAL ADJUST
3	06102167AA	2							NUT AND WASHER, Sled
4	J4003909	4							NUT, Hex Flange With Serration
5	J4003909	4							SCREW, [M5X0.8X10.00], (NOT SERVICED)
6	05029211AA	1							BRACKET, Wiring Harness
7	04294036	1							CLIP
8	06101444	2							NUT AND WASHER, Hex, M6x1.0, Gas Pedal To Floor
9	05029206AB	1							BRACKET, Stop Lamp Switch
10	05083344AA	1							SWITCH PACKAGE, Stop Lamp
11	05083344AA	1							WIRING, Instrument Panel, See Electrical Group, (NOT SERVICED)
12	05102046AA	1							PAD, Clutch Pedal
13	05102045AA	1							PAD, Brake Pedal
14	05102047AA	1							PAD, Accelerator Pedal

VIPER (ZB)

SERIES
S = SRT-10
X = Coupe

LINE
D = DODGE

BODY
27 = 2-DR CONVERTIBLE
29 = SPECIALTY COUPE

ENGINE
EWC = Engine - 8.3L V10 SFI

TRANSMISSION
DEC = 6-Speed Manual
DBB = All Manual Transmissions

AR = use ase required - = Non illustrated part

Group - 7

Cooling

Group - 7 Cooling

Group-Fig. No.

Illustration Title

Radiator and Related Parts

Radiator And Related Parts Fig. 7 - 110
 Radiator Air Baffles Fig. 7 - 120

Water Pump and Related Parts

Water Pump And Related Parts Fig. 7 - 210

Tank, Coolant Engine

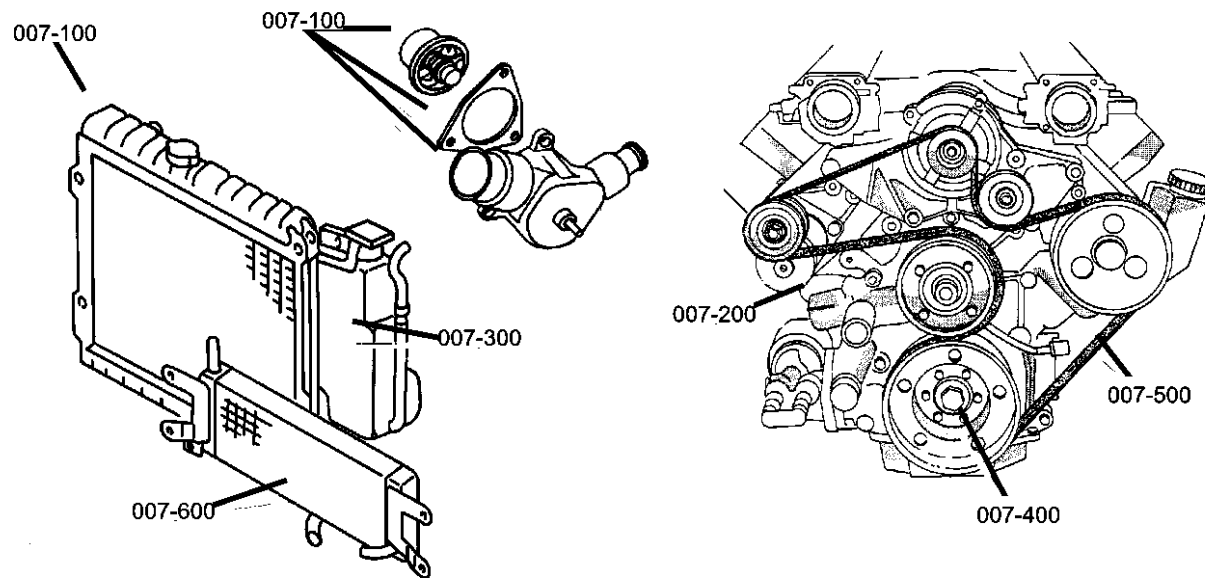
Coolant Reserve and Pressurized Coolant Tank Fig. 7 - 310

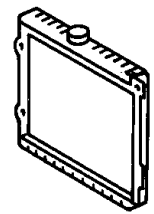
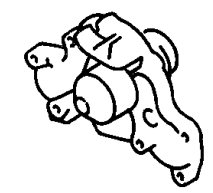
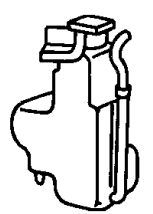

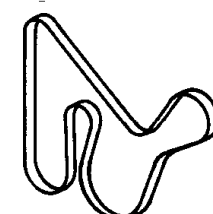
Pulleys and Related Parts

Pulleys, Drive Fig. 7 - 410

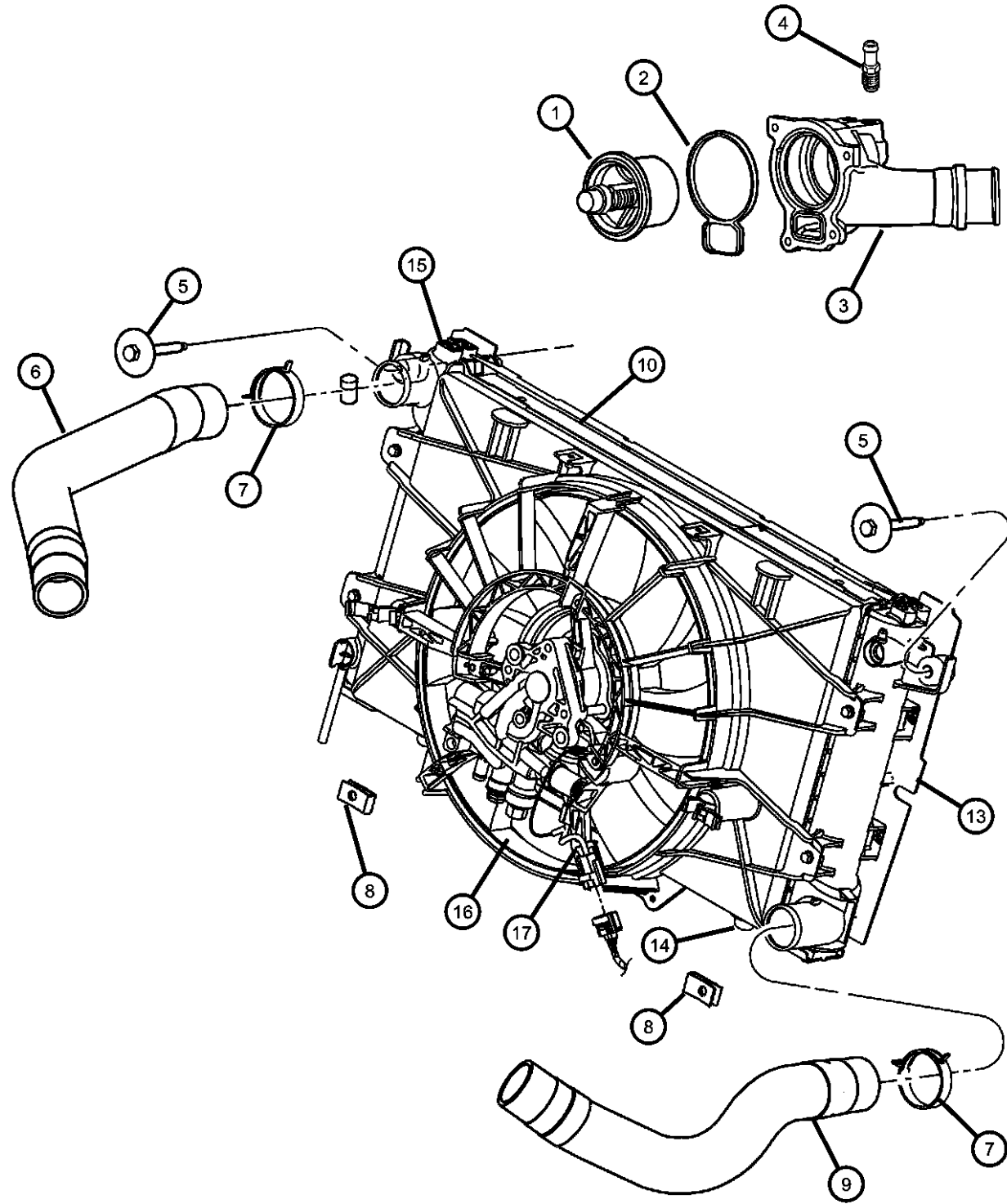
Drive Belts

Belts, Drive Fig. 7 - 510



<p>007-100 Radiator and Related Parts</p> 	<p>007-200 Water Pump and Related Parts</p> 	<p>007-300 Tank, Coolant Engine</p> 	<p>007-400 Pulleys and Related Parts</p> 
<p>007-500 Drive Belts</p> 			

Radiator And Related Parts
Figure 7-110



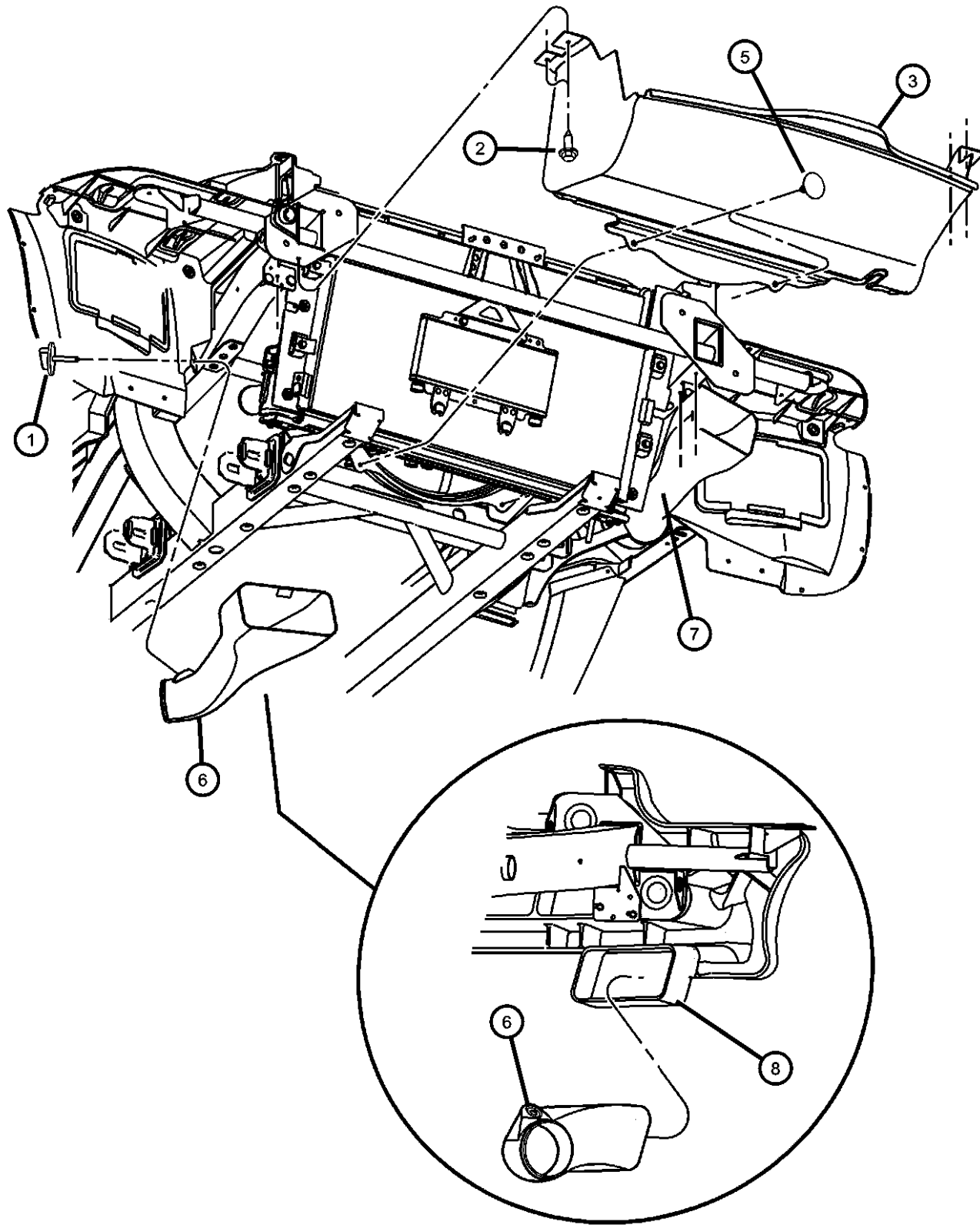
ITEM	PART NUMBER	QTY	LINE	SERIES	BODY	ENGINE	TRANS	TRIM	DESCRIPTION
NOTE: Sales Codes: [EWC] = 8.3L V10 SFI									
1	05037344AA	1				EWC			THERMOSTAT, 185 Degrees
2	05037173AA	1				EWC			GASKET, Thermostat
3	05037174AB	1				EWC			HOUSING, Thermostat
4	55035944AB	1				EWC			NIPPLE, Heater Inlet
5	55035944AB	1							SCREW AND WASHER, [M6X1.00X55.00], (NOT SERVICED)
6	05264985AA	1							HOSE, Radiator Inlet
7	52006750	2							CLAMP, Radiator
8	06101308	2							NUT, U, M6x1.00
9	05264986AA	1							HOSE, Radiator Outlet
10	05264994AB	1							RADIATOR, Engine Cooling
-11	52029087AA	1							DRAINCOCK, Radiator
-12	05290670AA	1							SEAL, Radiator Upper
13	05290670AA	1							SEAL, Radiator Side, Serviced with Radiator, (NOT SERVICED)
14	04809071	2							ISOLATOR, Radiator, Lower
15	52027827	2							ISOLATOR, Radiator, Upper
16	05290099AA	1							FAN MODULE, Radiator Cooling
17	05290176AA	1							WIRING, Fan Motor
-18	52079928AA	1							CLIP, Line
-19	00153355	2							U-NUT, .25-20
-20	05290177AA	1							CLIP, Power Steering Return Hose
-21	06504118	8							U-NUT, M6 x 1.00, M6x1.00, Radiator attaching

VIPER (ZB)

SERIES	LINE	BODY	ENGINE	TRANSMISSION
S = SRT-10	D = DODGE	27 = 2-DR CONVERTIBLE	EWC = Engine - 8.3L V10 SFI	DEC = 6-Speed Manual
X = Coupe		29 = SPECIALTY COUPE		DBB = All Manual Transmissions

AR = use ase required - = Non illustrated part

Radiator Air Baffles
Figure 7-120



ITEM	PART NUMBER	QTY	LINE	SERIES	BODY	ENGINE	TRANS	TRIM	DESCRIPTION
1	04708180	2							SCREW, Splash Shield
2	06506504AA	4							SCREW TAPPING & WASHER, Hex Head, Type AB Flat Washer
3	05290668AA	1							BAFFLE, Radiator Air
4	05037353AA	1							LABEL, Fan Caution
5	06501067	2							PIN, Push, M6.3x20.5
6	05264984AA	1							DUCT, Air, Brake Cooling - Rt.
7	05264983AA	1							DUCT, Air, Brake Cooling - Lt.
8	05029154AB	1							FASCIA, Front, Primed

VIPER (ZB)

SERIES
S = SRT-10
X = Coupe

LINE
D = DODGE

BODY
27 = 2-DR CONVERTIBLE
29 = SPECIALTY COUPE

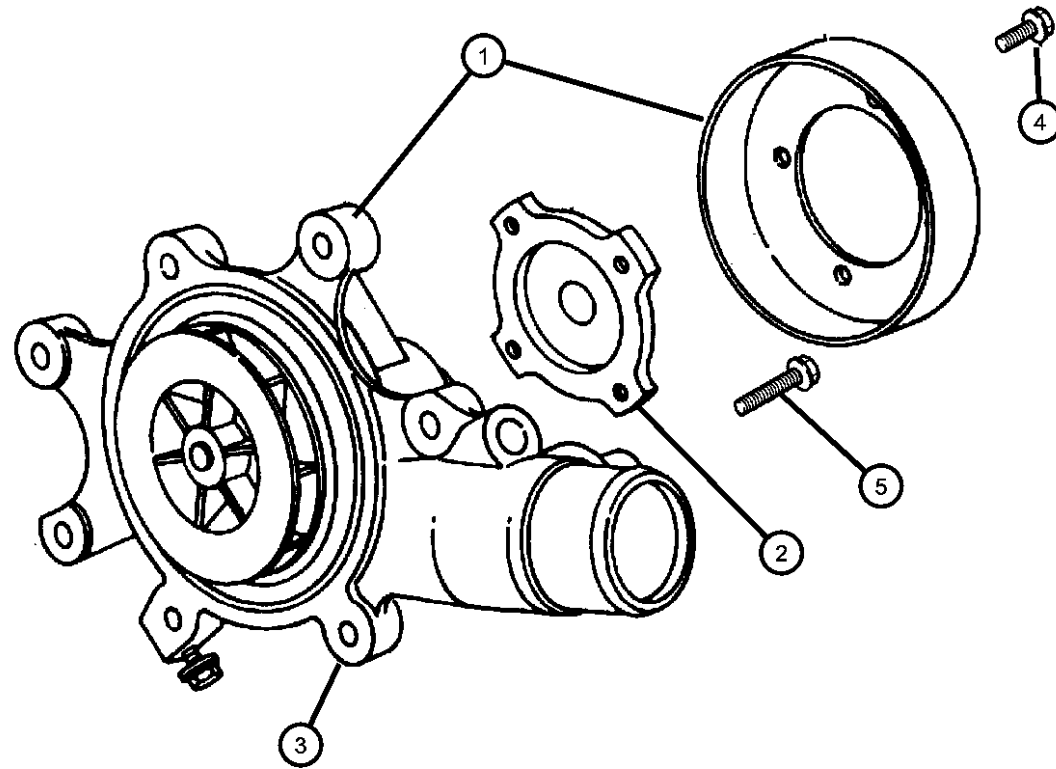
ENGINE
EWC = Engine - 8.3L V10 SFI

TRANSMISSION
DEC = 6-Speed Manual
DBB = All Manual Transmissions

AR = use ase required - = Non illustrated part

2003 ZB

**Water Pump And Related Parts
Figure 7-210**



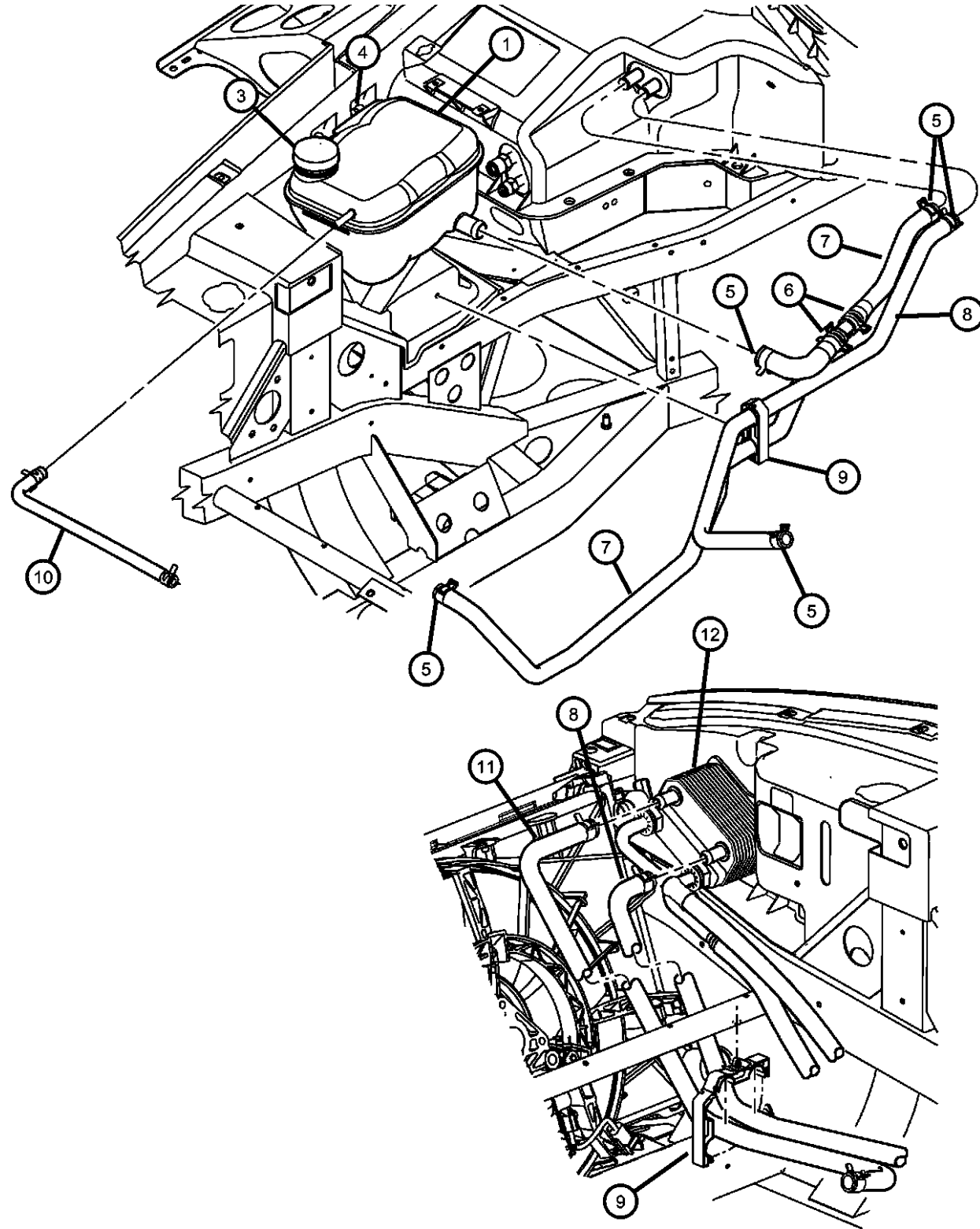
ITEM	PART NUMBER	QTY	LINE	SERIES	BODY	ENGINE	TRANS	TRIM	DESCRIPTION
NOTE: Sales Codes: [EWC] = 8.3L V10 SFI									
1	05037164AB	1				EWC			PUMP, Water, With Pulley
2	05037164AB	1							HUB, Water Pump Pulley, (NOT SERVICED)
3	05037171AB	1				EWC			GASKET, Water Pump
4	06034530	6				EWC			SCREW, Hex Head, .312-18x.75
5	06035558	1				EWC			SCREW, Hex Flange Head, .375-16x1.50

VIPER (ZB)

SERIES	LINE	BODY	ENGINE	TRANSMISSION
S = SRT-10	D = DODGE	27 = 2-DR CONVERTIBLE	EWC = Engine - 8.3L V10 SFI	DEC = 6-Speed Manual
X = Coupe		29 = SPECIALTY COUPE		DBB = All Manual Transmissions

AR = use ase required - = Non illustrated part

**Coolant Reserve and Pressurized Coolant Tank
Figure 7-310**



ITEM	PART NUMBER	QTY	LINE	SERIES	BODY	ENGINE	TRANS	TRIM	DESCRIPTION
------	-------------	-----	------	--------	------	--------	-------	------	-------------

NOTE: Sales Codes:
[EWC] = 8.3L V10 SFI

1	05043002AA	1							BOTTLE, Pressurized Coolant
-2	04266423	1							HOSE, Overflow, Roll Stock
3	04596198	1							CAP, Radiator
4	06503698	3							SCREW AND WASHER, Truss Head, M6-1.00x30.00
5	06503422	2							CLAMP, Supply Hose, 26 mm Diameter
6	06502018	2							CLAMP, Hose, M28.9 x 1.60
7	05037987AA	1							HOSE, Heater Return
8	05264929AA	1							HOSE, Heater Supply
9	05290217AA	1							CLIP, Heater Hose
10	05264931AA	1							HOSE, Coolant Bottle Inlet
11	05290218AA	1							HOSE, Oil Cooler Return
12	05290014AA	1							COOLER, Engine Oil

VIPER (ZB)

SERIES

S = SRT-10

X = Coupe

LINE

D = DODGE

BODY

27 = 2-DR CONVERTIBLE

29 = SPECIALTY COUPE

ENGINE

EWC = Engine - 8.3L V10 SFI

TRANSMISSION

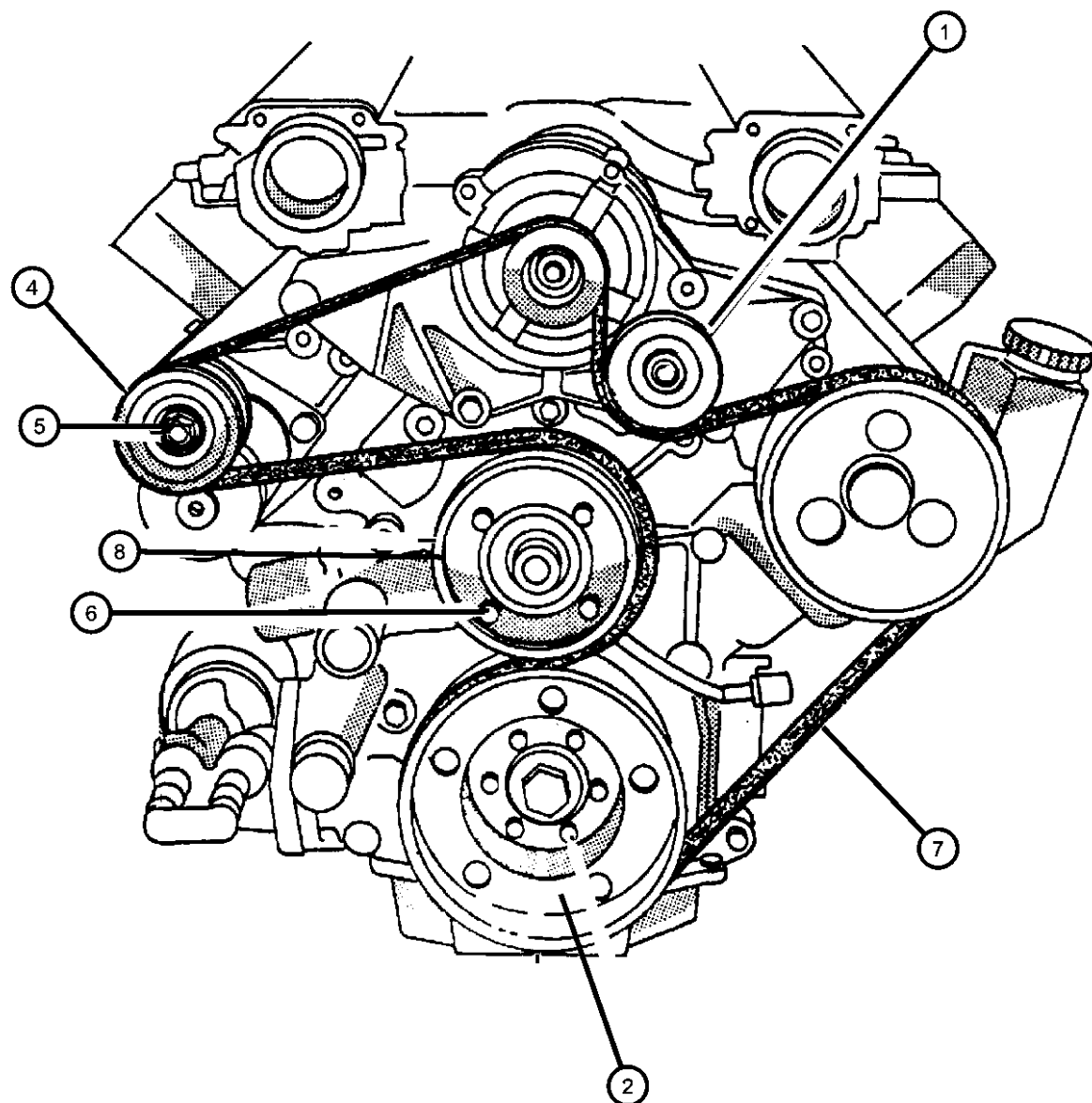
DEC = 6-Speed Manual

DBB = All Manual Transmissions

AR = use ase required - = Non illustrated part

2003 ZB

Pulleys, Drive
Figure 7-410



ITEM	PART NUMBER	QTY	LINE	SERIES	BODY	ENGINE	TRANS	TRIM	DESCRIPTION
------	-------------	-----	------	--------	------	--------	-------	------	-------------

NOTE: Sales Codes:
[EWC] = 8.3L V10 SFI

1	04792581AA	1				EWC			PULLEY, Idler
2	05037204AA	1				EWC			PULLEY, Crankshaft
-3	33002201	1				EWC			BUSHING, Idler Pulley
4	05086500AA	1				EWC			TENSIONER PACKAGE, Belt
5	06502135	1				EWC			NUT, Hex Flange, M10x1.5
6	06034530	6				EWC			SCREW, Hex Head, .312-18x.75
7	05037206AB	1				EWC			BELT, Accessory Drive
8	05037164AB	1				EWC			PUMP, Water, With Pulley

VIPER (ZB)

SERIES	LINE	BODY	ENGINE	TRANSMISSION
S = SRT-10	D = DODGE	27 = 2-DR CONVERTIBLE	EWC = Engine - 8.3L V10 SFI	DEC = 6-Speed Manual
X = Coupe		29 = SPECIALTY COUPE		DBB = All Manual Transmissions

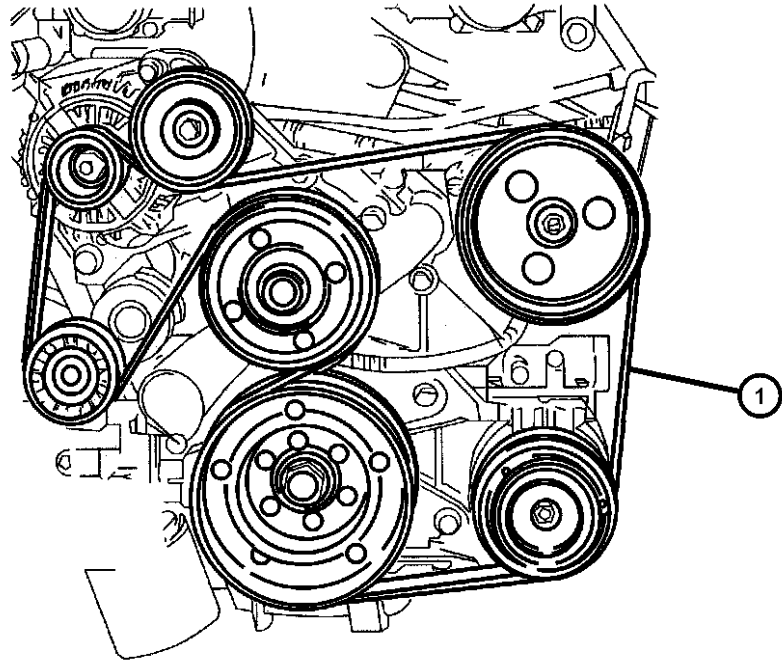
AR = use ase required - = Non illustrated part

**Belts, Drive
Figure 7-510**

ITEM	PART NUMBER	QTY	LINE	SERIES	BODY	ENGINE	TRANS	TRIM	DESCRIPTION
------	-------------	-----	------	--------	------	--------	-------	------	-------------

NOTE: Sales Codes:
[EWC] = 8.3L V10 SFI

1	05037206AB	1				EWC			BELT, Accessory Drive
---	------------	---	--	--	--	-----	--	--	-----------------------



VIPER (ZB)

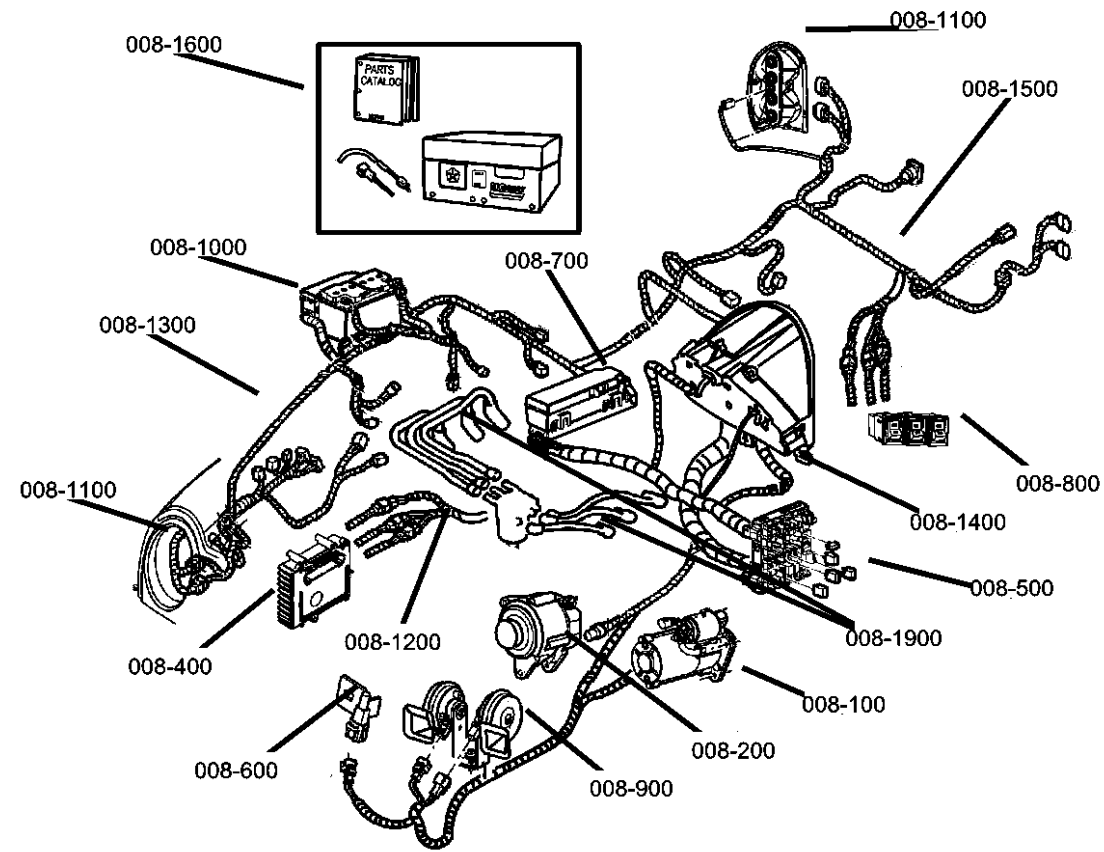
SERIES	LINE	BODY	ENGINE	TRANSMISSION
S = SRT-10	D = DODGE	27 = 2-DR CONVERTIBLE	EWC = Engine - 8.3L V10 SFI	DEC = 6-Speed Manual
X = Coupe		29 = SPECIALTY COUPE		DBB = All Manual Transmissions

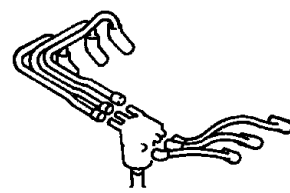
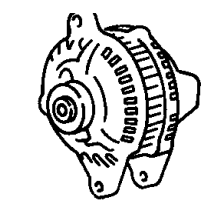
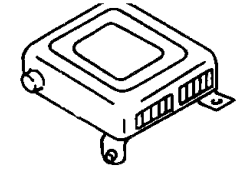
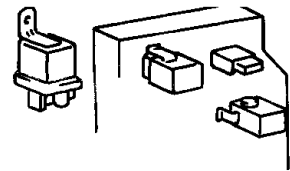
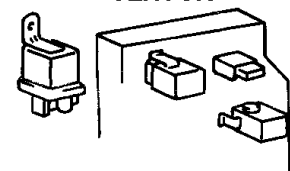
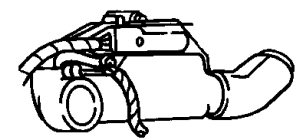
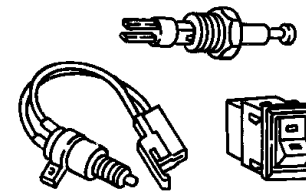
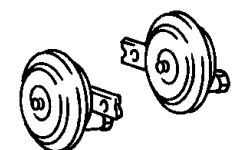
AR = use ase required - = Non illustrated part

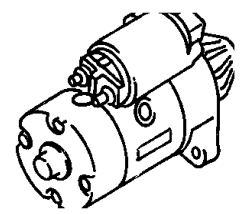
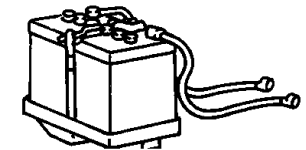
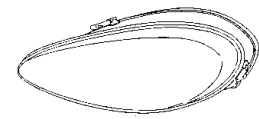
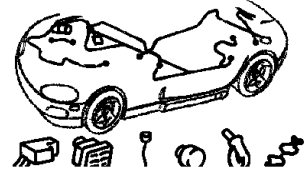
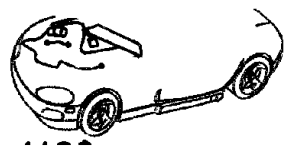
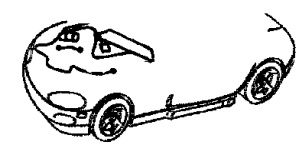
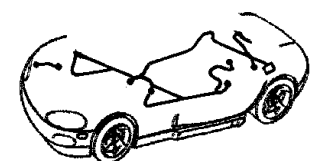
2003 ZB

Group - 8

Electrical



008-1900 Spark Plugs-Cables-Coils 	008-200 Alternators 	008-400 Modules 	008-500 Relays 
008-600 Sensors 	008-700 Single Board Engine Controllers 	008-800 Switches 	008-900 Horns 

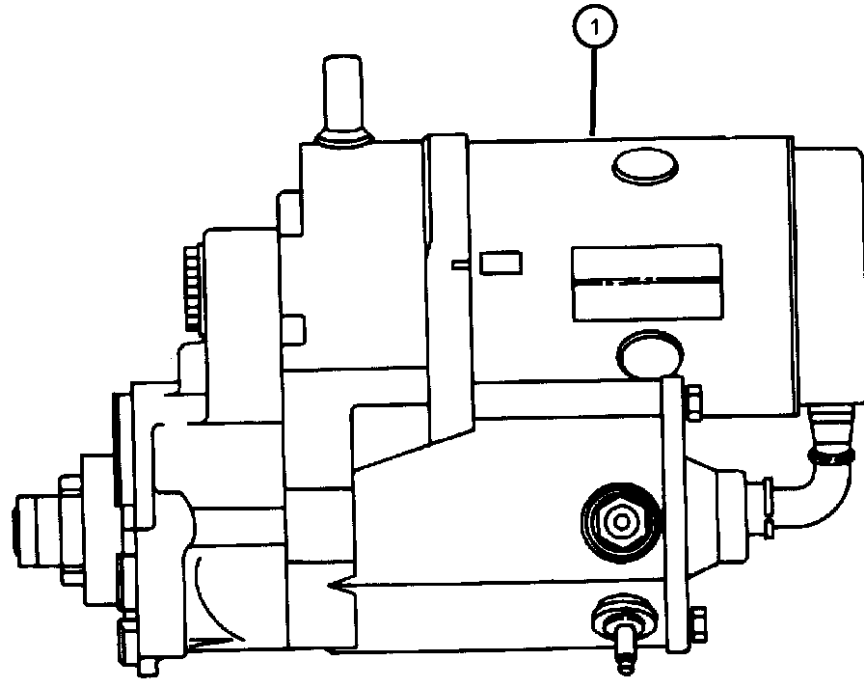
008-100 Starters 	008-1000 Battery Tray and Cables 	008-1100 Lamps - Front, Rear and Courtesy 	008-1200 Wiring-Engine & Related Parts 
008-1300 Wiring-Headlamp to Dash 	008-1400 Wiring-Instrument Panel 	008-1500 Wiring-Body & Accessories 	008-1600 Wiring Repair <p>WIRING REPAIR PKG.</p>

Group - 8 Electrical

Illustration Title	Group-Fig. No.
Starters	
Starter.....	Fig. 8 - 105
Alternators	
Alternators.....	Fig. 8 - 205
Modules	
Modules.....	Fig. 8 - 405
Relays	
Power Distribution Center, [Relays, and Fuses].....	Fig. 8 - 505
Sensors	
Sensors, Power Train.....	Fig. 8 - 605
Sensors, Body.....	Fig. 8 - 610
Single Board Engine Controllers	
Single Board Controllers.....	Fig. 8 - 705
Switches	
Switches Instrument Panel and Console.....	Fig. 8 - 805
Switches Drivetrain.....	Fig. 8 - 810
Switches Body.....	Fig. 8 - 815
Horns	
Horns.....	Fig. 8 - 905
Battery Tray and Cables	
Battery Tray and Cables.....	Fig. 8 - 1005
Lamps - Front, Rear and Courtesy	
Lamps and Wiring - Front.....	Fig. 8 - 1105
Lamps and Wiring - Rear.....	Fig. 8 - 1110
Courtesy Lamps.....	Fig. 8 - 1115
Wiring-Engine & Related Parts	
Wiring - Engine and Related Parts.....	Fig. 8 - 1205
Wiring-Headlamp to Dash	
Wiring - Headlamp to Dash.....	Fig. 8 - 1305
Wiring-Instrument Panel	
Wiring - Instrument Panel.....	Fig. 8 - 1405
Wiring-Body & Accessories	
Wiring - Body and Accessories.....	Fig. 8 - 1505
Wiring Repair	
Connector Repair Package.....	Fig. 8 - 1605
Spark Plugs-Cables-Coils	
Spark Plugs - Cables - Coil.....	Fig. 8 - 1905

Starter
Figure 8-105

ITEM	PART NUMBER	QTY	LINE	SERIES	BODY	ENGINE	TRANS	TRIM	DESCRIPTION
1	05037199AA	1				EWC			STARTER
-2	00154935AA	2			27	EWC			SCREW, SCREW



VIPER (ZB)
 SERIES
 S = SRT-10
 X = Coupe

LINE
 D = DODGE

BODY
 27 = 2-DR CONVERTIBLE
 29 = SPECIALTY COUPE

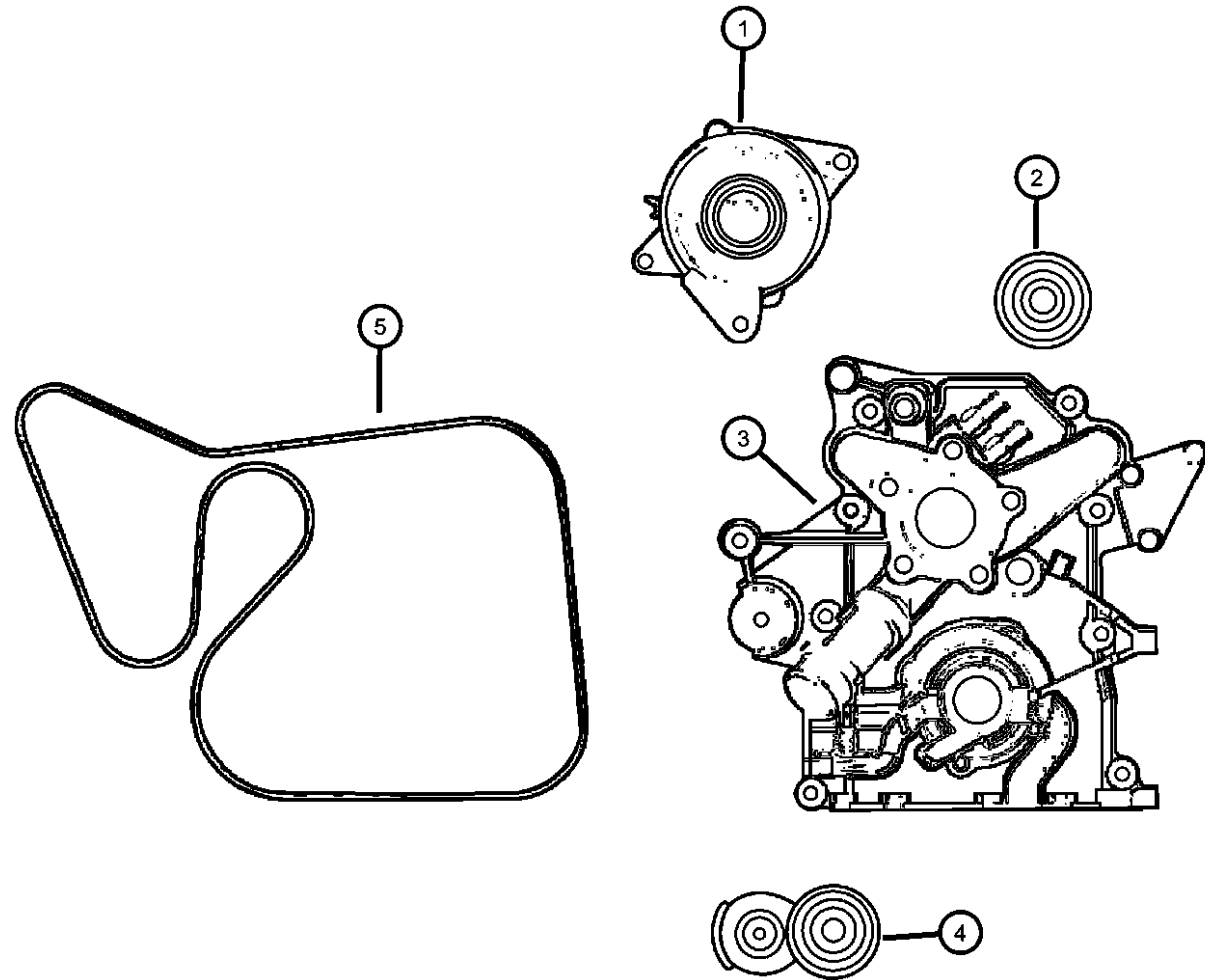
ENGINE
 EWC = Engine - 8.3L V10 SFI

TRANSMISSION
 DEC = 6-Speed Manual
 DBB = All Manual Transmissions

AR = use ase required - = Non illustrated part

2003 ZB

Alternators
Figure 8-205



ITEM	PART NUMBER	QTY	LINE	SERIES	BODY	ENGINE	TRANS	TRIM	DESCRIPTION
EWB= 8.0L V10 SFI									
1	05037198AA	1				EWC			ALTERNATOR, Electrical
2	05037086AA	1				EWC			PULLEY, Idler
3	05037036AC	1				EWC			COVER, Timing Case
4	05086500AA	1				EWC			TENSIONER PACKAGE, Belt
5	05037206AB	1				EWC			BELT, Accessory Drive
-6	06035558	1				EWC			SCREW, Hex Flange Head, .375-16x1.50, Alternator mounting
-7	33002201	1				EWC			BUSHING, Idler Pulley
-8	33002201	1							WIRING, Alternator, Serviced in headlamp to dash harness, (NOT SERVICED)
-9	06506929AA	1				EWC			NUT, Hex Flange Lock, M8x1.25, Alternator Bracket to Cable
-10	06505128AA	1			27	EWC			BOLT, Alternator mounting

VIPER (ZB)

SERIES

S = SRT-10

X = Coupe

LINE

D = DODGE

BODY

27 = 2-DR CONVERTIBLE

29 = SPECIALTY COUPE

ENGINE

EWC = Engine - 8.3L V10 SFI

TRANSMISSION

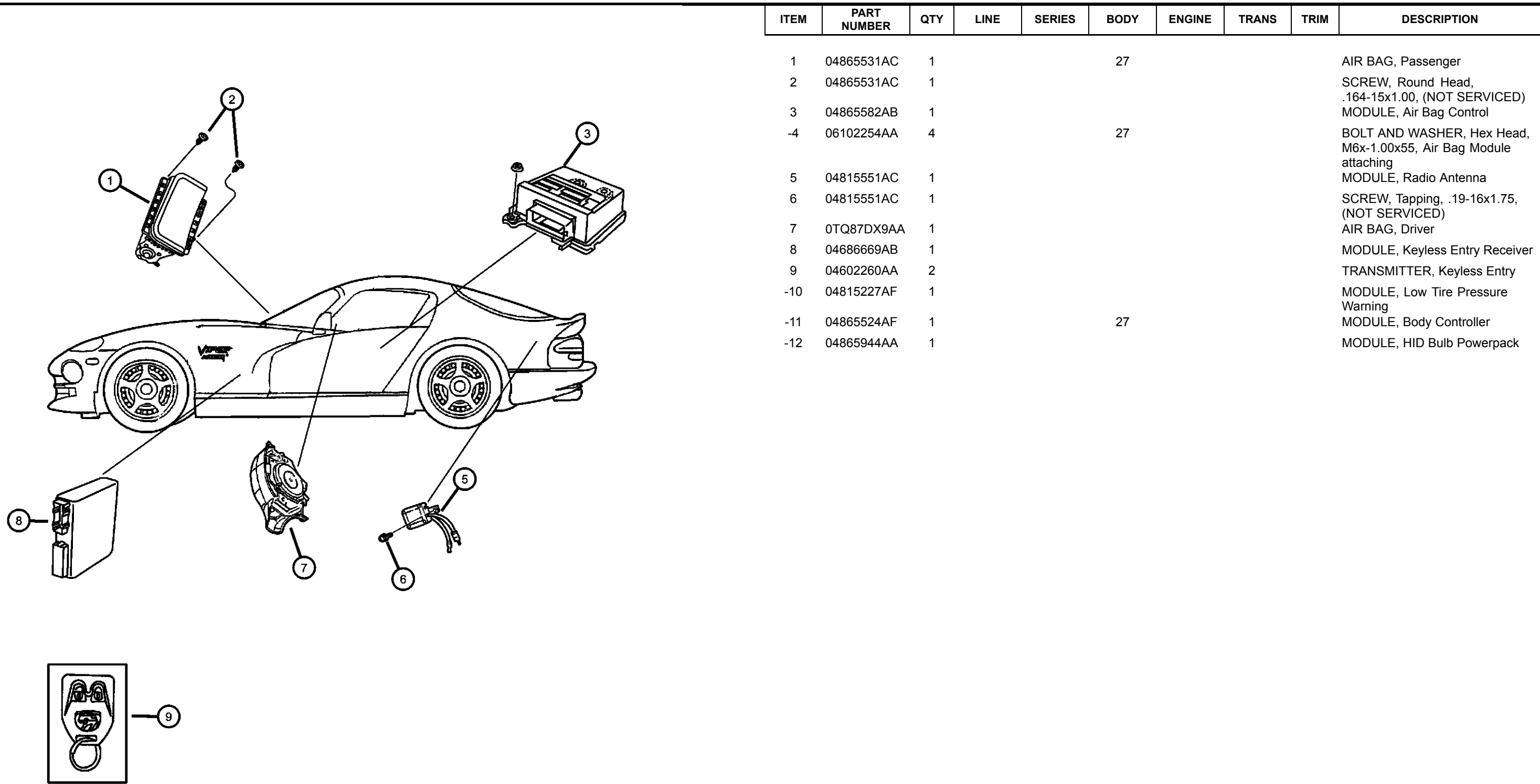
DEC = 6-Speed Manual

DBB = All Manual Transmissions

AR = use ase required - = Non illustrated part

2003 ZB

Modules
Figure 8-405



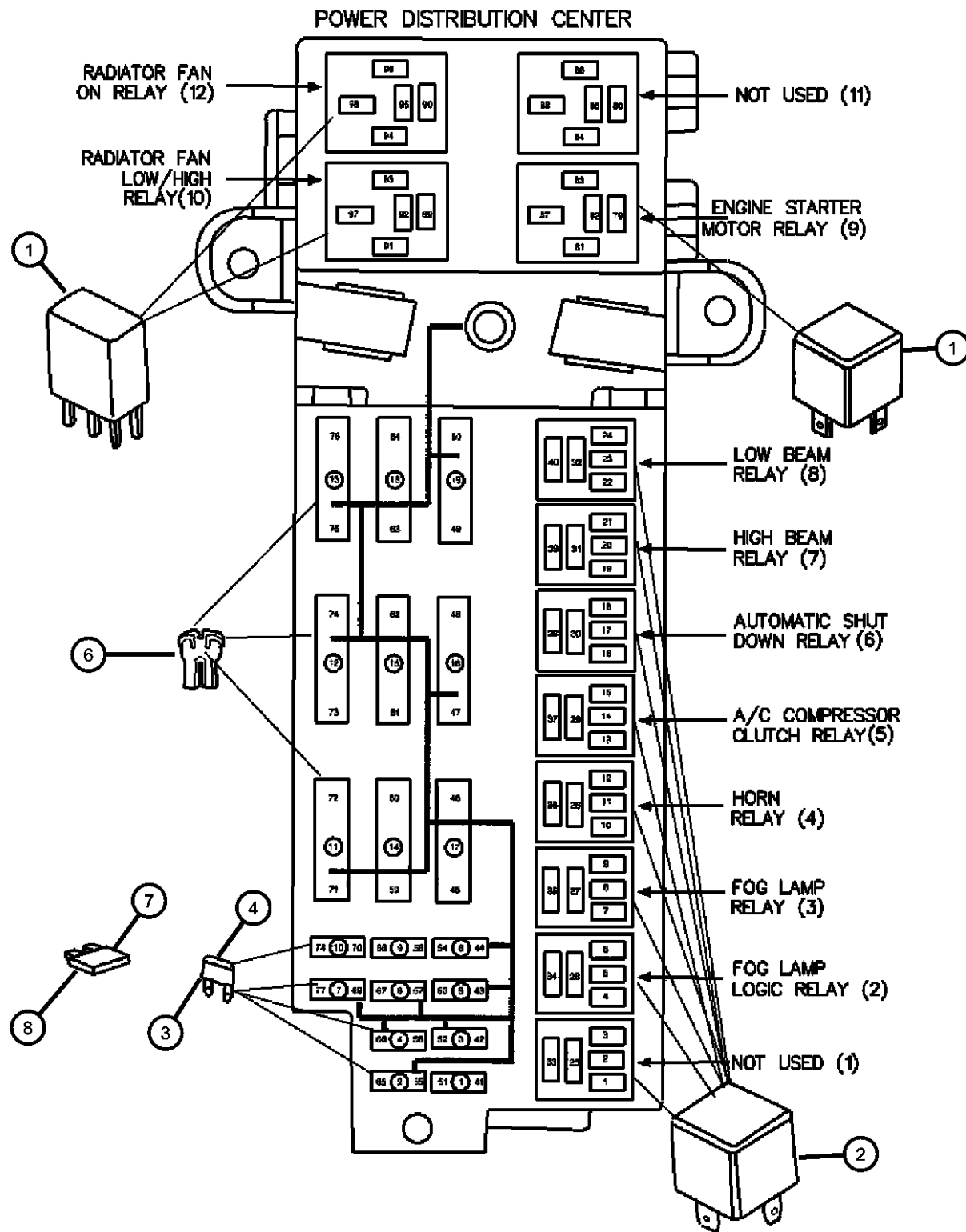
ITEM	PART NUMBER	QTY	LINE	SERIES	BODY	ENGINE	TRANS	TRIM	DESCRIPTION
1	04865531AC	1			27				AIR BAG, Passenger
2	04865531AC	1							SCREW, Round Head, .164-15x1.00, (NOT SERVICED)
3	04865582AB	1							MODULE, Air Bag Control
-4	06102254AA	4			27				BOLT AND WASHER, Hex Head, M6x-1.00x55, Air Bag Module attaching
5	04815551AC	1							MODULE, Radio Antenna
6	04815551AC	1							SCREW, Tapping, .19-16x1.75, (NOT SERVICED)
7	0TQ87DX9AA	1							AIR BAG, Driver
8	04686669AB	1							MODULE, Keyless Entry Receiver
9	04602260AA	2							TRANSMITTER, Keyless Entry
-10	04815227AF	1							MODULE, Low Tire Pressure Warning
-11	04865524AF	1			27				MODULE, Body Controller
-12	04865944AA	1							MODULE, HID Bulb Powerpack

VIPER (ZB)

SERIES	LINE	BODY	ENGINE	TRANSMISSION
S = SRT-10	D = DODGE	27 = 2-DR CONVERTIBLE	EWC = Engine - 8.3L V10 SFI	DEC = 6-Speed Manual
X = Coupe		29 = SPECIALTY COUPE		DBB = All Manual Transmissions

AR = use ase required - = Non illustrated part

**Power Distribution Center, [Relays, and Fuses]
Figure 8-505**



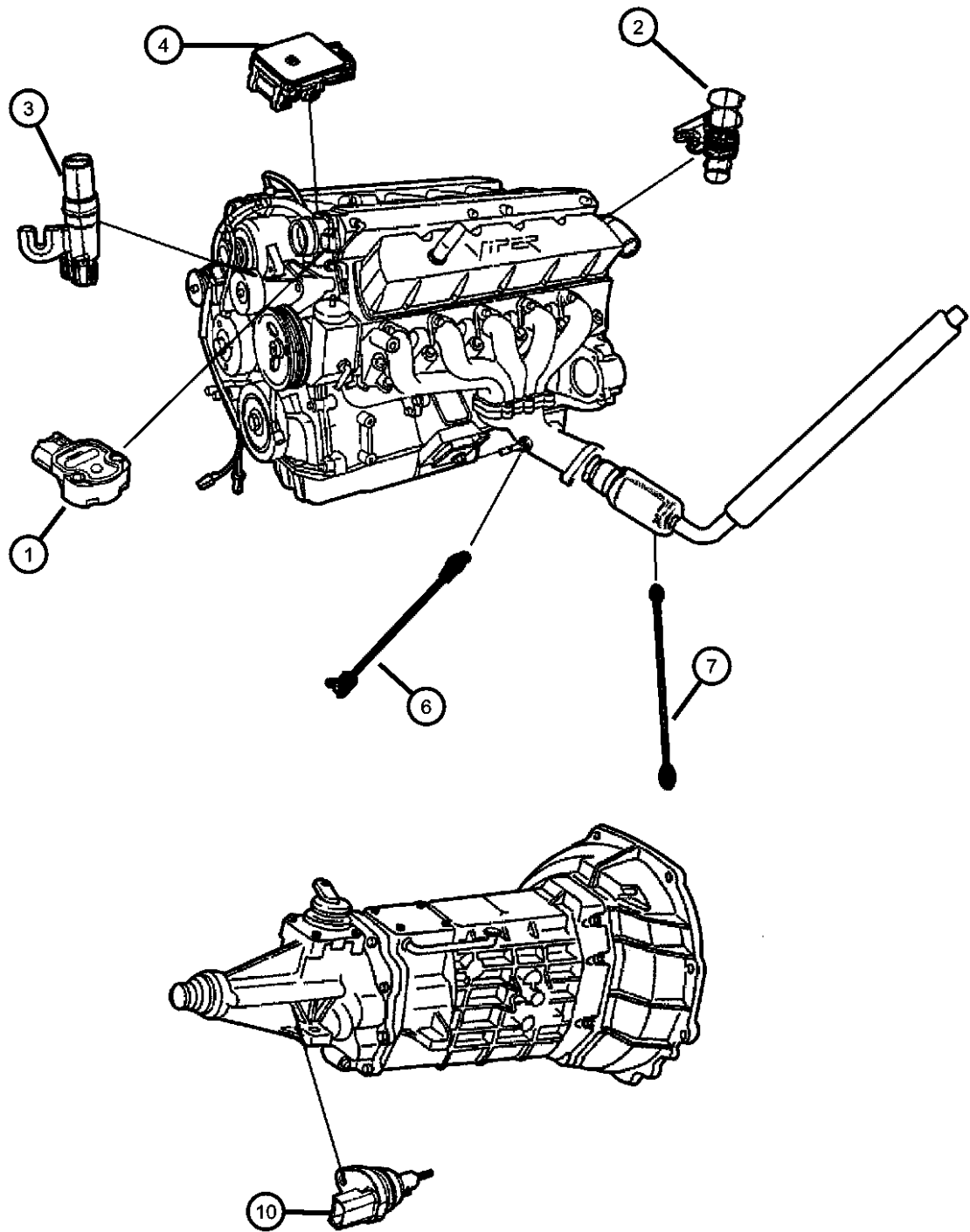
ITEM	PART NUMBER	QTY	LINE	SERIES	BODY	ENGINE	TRANS	TRIM	DESCRIPTION
1	04638094	1							RELAY PACKAGE, Electrical
2	05269988AA	9							RELAY, Mini
3	000ATM10	2							FUSE, Mini, 10 AMP, Red
4	000ATM15	9							FUSE, Mini, 15 AMP, Light Blue
5	000ATM20	7							FUSE, Mini, 20 AMP, Yellow
6	06102075AA	1							FUSE CARTRIDGE, 20 Amp
7	06102076AA	5							FUSE CARTRIDGE, 30 Amp
8	06102077AA	4							FUSE CARTRIDGE, 40 Amp
-9	05029117AD	1				27			SHIELD, Wiring, At PDC
-10	06101757	2				27			FUSIBLE LINK, 140 Amp
-11	05029294AB	1				27			BRACKET, Power Distribution Center
-12	05114019AA	1				27			COVER, Power Distribution Center

VIPER (ZB)

SERIES	LINE	BODY	ENGINE	TRANSMISSION
S = SRT-10	D = DODGE	27 = 2-DR CONVERTIBLE	EWC = Engine - 8.3L V10 SFI	DEC = 6-Speed Manual
X = Coupe		29 = SPECIALTY COUPE		DBB = All Manual Transmissions

AR = use ase required - = Non illustrated part

Sensors, Power Train
Figure 8-605



ITEM	PART NUMBER	QTY	LINE	SERIES	BODY	ENGINE	TRANS	TRIM	DESCRIPTION
EWB=8.0L V10 SFI DEC= MANUAL 6-SPEED									
1	04686360AB	1			27	EWC			SENSOR, Throttle Position
2	04609153AE	1			27	EWC			SENSOR, Crankshaft Position
3	05245084	1				EWC			SENSOR, Camshaft
4	04686684AA	1				EWC			SENSOR, MAP
-5	06035957AA	2				EWC			SCREW, Map Sensor Wiring
6	56041699AA	2				EWC			SENSOR, Oxygen, Upstream
7	56041706AA	2				EWC			SENSOR, Oxygen, Downstream
-8	06016152	2			27	EWC			CLIP, Front Oxygen Sensor Wiring
-9	05073039AA	2							STRAP, Tie, Front Oxygen Sensor o Engine Mount
10	05073039AA	2							SENSOR, Vehicle Speed, (NOT REQUIRED)
-11	04606487AB	1			27	EWC			SENSOR, Charge Air Temp

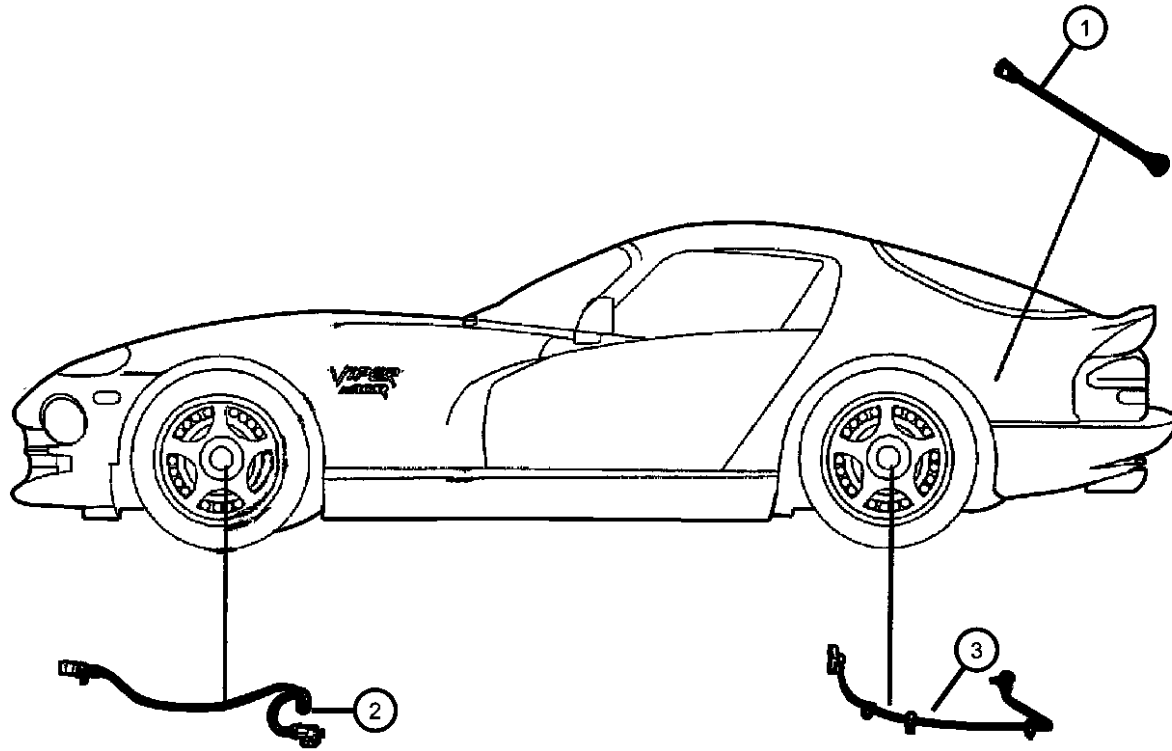
VIPER (ZB)

SERIES	LINE	BODY	ENGINE	TRANSMISSION
S = SRT-10	D = DODGE	27 = 2-DR CONVERTIBLE	EWC = Engine - 8.3L V10 SFI	DEC = 6-Speed Manual
X = Coupe		29 = SPECIALTY COUPE		DBB = All Manual Transmissions

AR = use ase required - = Non illustrated part

Sensors, Body
Figure 8-610

ITEM	PART NUMBER	QTY	LINE	SERIES	BODY	ENGINE	TRANS	TRIM	DESCRIPTION
1	56041053	1							SENSOR, Battery Temperature
2	05290952AA	2			27				SENSOR, Anti-Lock Brakes
3	05290248AA	2			27				SENSOR, Anti-Lock Brakes
-4	52088990AA	1							SENSOR, Tire Pressure, Valve stem



VIPER (ZB)

SERIES
S = SRT-10
X = Coupe

LINE
D = DODGE

BODY
27 = 2-DR CONVERTIBLE
29 = SPECIALTY COUPE

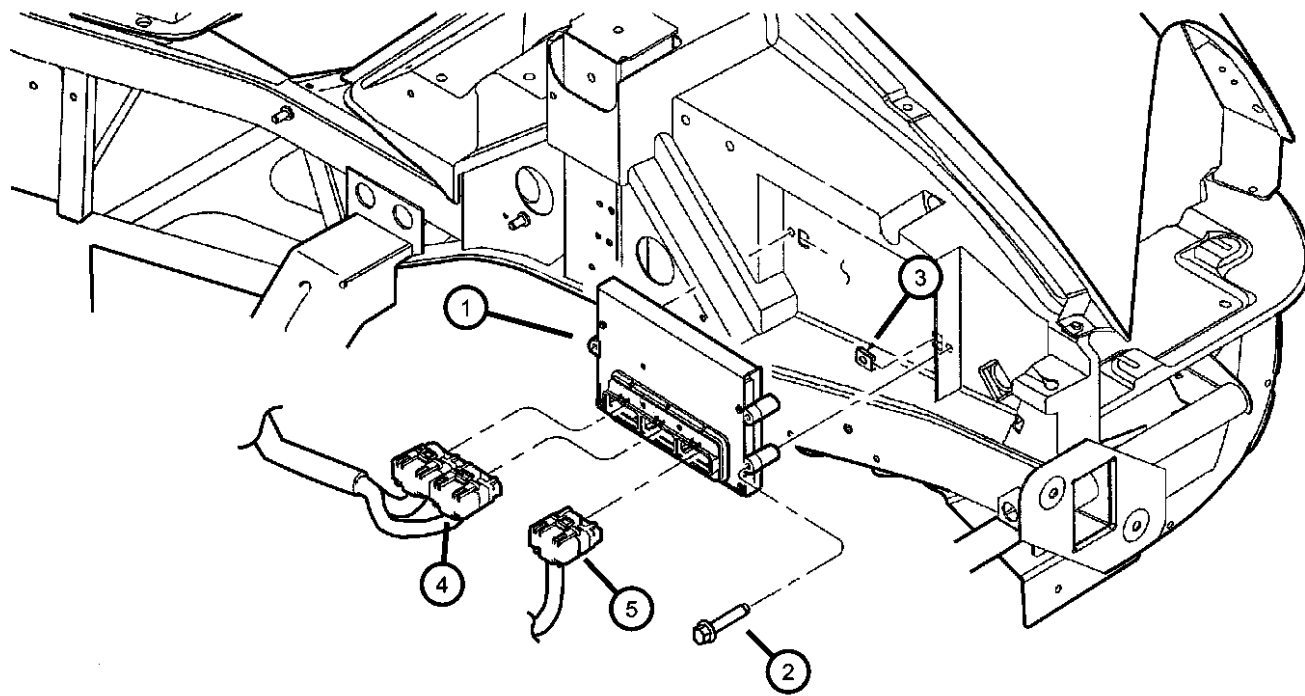
ENGINE
EWC = Engine - 8.3L V10 SFI
TRANSMISSION
DEC = 6-Speed Manual
DBB = All Manual Transmissions

AR = use ase required - = Non illustrated part

2003 ZB

**Single Board Controllers
Figure 8-705**

ITEM	PART NUMBER	QTY	LINE	SERIES	BODY	ENGINE	TRANS	TRIM	DESCRIPTION
1	04865501AE	1			27				MODULE, Powertrain Control Up to 11/06/02
	04865501AF	1			27				After 11/06/02
2	04865501AF	1							SCREW, Hex Flange Head, [m5x.80x55], (NOT SERVICED), U NUT, M5x0.80
3	06503746	2							WIRING, Headlamp to Dash, See 8-1305, (NOT SERVICED)
4	06503746	2							WIRING, Engine, See 8-1205, (NOT SERVICED)
5	06503746	2							WIRING, Engine, See 8-1205, (NOT SERVICED)



VIPER (ZB)

SERIES
S = SRT-10
X = Coupe

LINE
D = DODGE

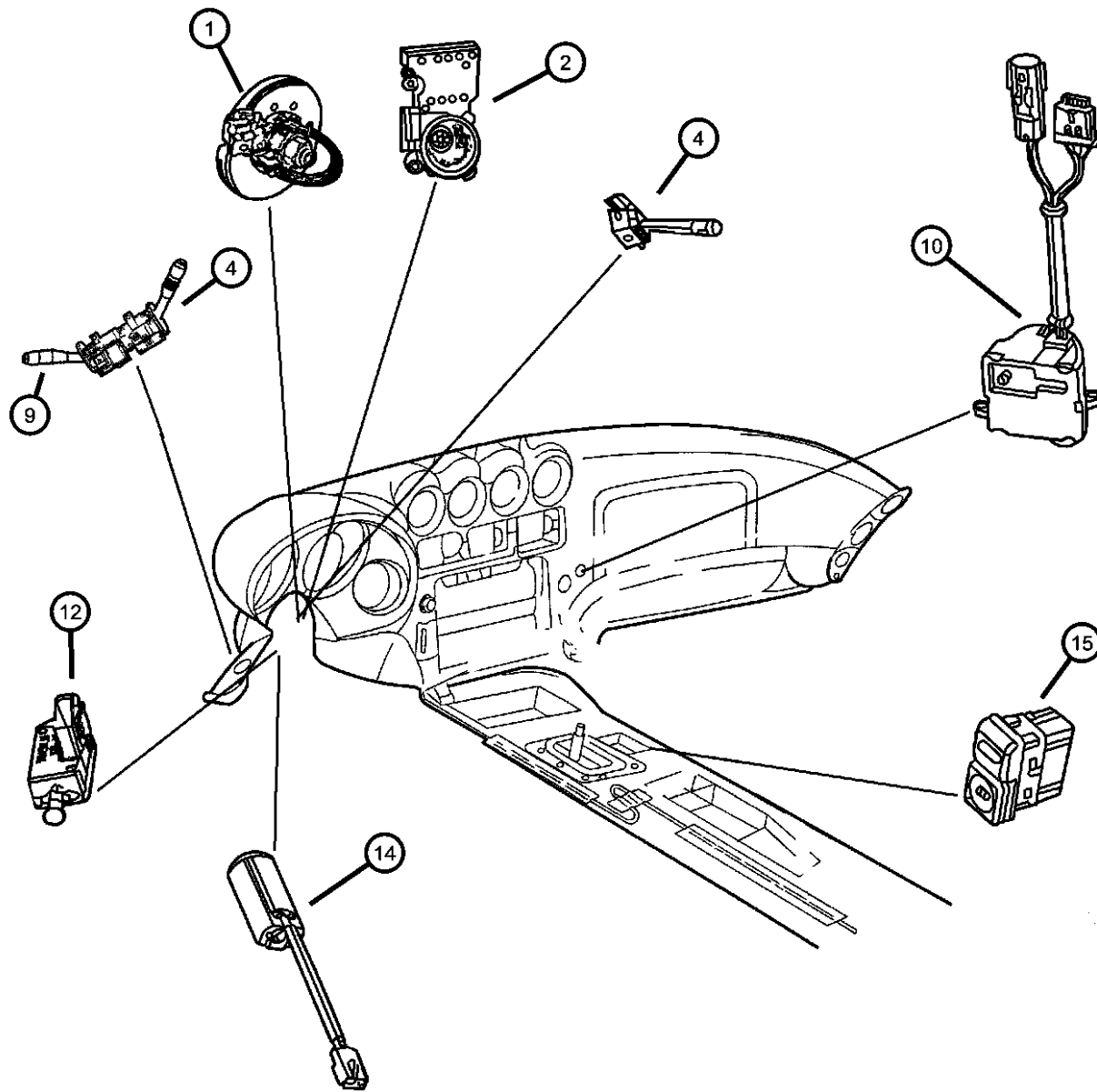
BODY
27 = 2-DR CONVERTIBLE
29 = SPECIALTY COUPE

ENGINE
EWC = Engine - 8.3L V10 SFI

TRANSMISSION
DEC = 6-Speed Manual
DBB = All Manual Transmissions

AR = use ase required - = Non illustrated part

Switches Instrument Panel and Console
Figure 8-805



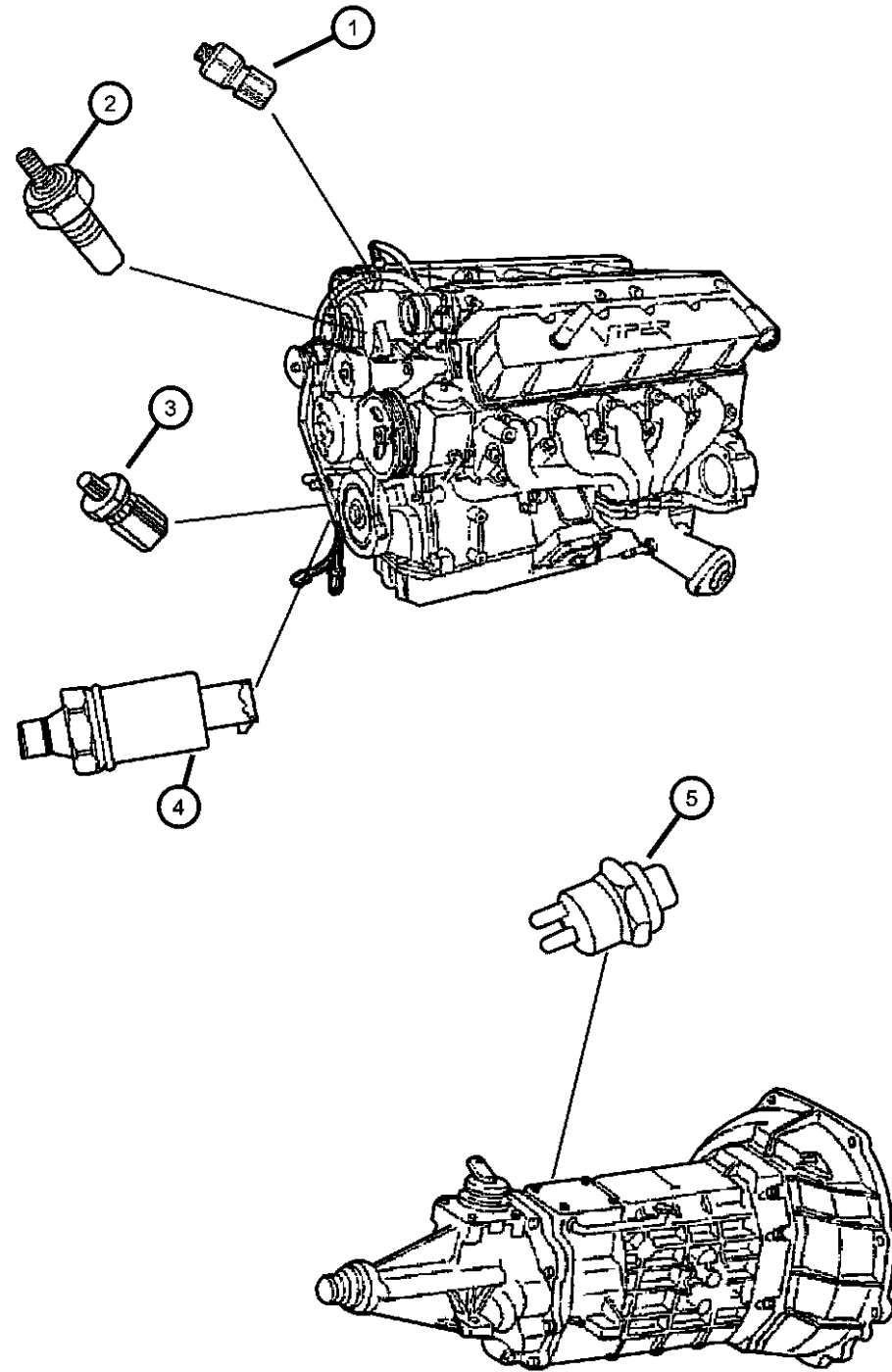
ITEM	PART NUMBER	QTY	LINE	SERIES	BODY	ENGINE	TRANS	TRIM	DESCRIPTION
EWB= 8.0L V10 SFI DEC= MANUAL 6-SPEED									
1	04671789AC	1							CLOCKSPRING
2									SWITCH, Ignition
	04685719AC	1							Steering Column
		1			27				
-3	06035021	1							SCREW, Pan Head Tapping, .125-40x.437, Ignition Switch mounting
4	05066185AA	1							SWITCH, Multifunction, Lighting control
-5	04671714AA	1							FLASHER, Plugs in multifunction switch
-6	04794302AA	1							FOAM, Multifunction Switch
-7	06036075AA	1							SCREW, Pan Head, Multifunction Switch
-8	06503395	2							SCREW AND WASHER, Self Tapping, M4x.7x14, Multifunction Switch
9	05019710AA	1							SWITCH, Intermittent Wiper
10	04865875AA	1							SWITCH, Passenger Airbag Disarm
-11	06032452	3							SCREW, Self Piercing, .164-15x.625, Passenger Air Bag Disable Switch mounting
12	05083344AA	1							SWITCH PACKAGE, Stop Lamp
-13	05029206AB	1							BRACKET, Stop Lamp Switch
14	53007944AB	1							SWITCH, Clutch Starter Interlock
15	53007944AB	1							SWITCH, Electric Back Light, (NOT REQUIRED)
-16	04565022	1							SWITCH AND LAMP, Glove Box
-17	56042387	1							SWITCH, Pedal Adjuster
-18									SWITCH, Remote Radio
	04685728AB	1							Right
	04685729AB	1							Left
-19	04865676AC	1					27		SWITCH, Ignition, Instrument Panel mounted

VIPER (ZB)

SERIES	LINE	BODY	ENGINE	TRANSMISSION
S = SRT-10	D = DODGE	27 = 2-DR CONVERTIBLE	EWC = Engine - 8.3L V10 SFI	DEC = 6-Speed Manual
X = Coupe		29 = SPECIALTY COUPE		DBB = All Manual Transmissions

AR = use ase required - = Non illustrated part

Switches Drivetrain
Figure 8-810



ITEM	PART NUMBER	QTY	LINE	SERIES	BODY	ENGINE	TRANS	TRIM	DESCRIPTION
1	05093082AA	1							SWITCH, A/C Low Pressure Cut Off
2	05269870AB	1				EWC			SENSOR, Coolant Temperature
		1				EWC			Coolant temp
		1							Oil temp
3		1							SWITCH, Oil Pressure, (NOT REQUIRED),
4	56028807AB	1				EWC			SENDING UNIT, Oil Pressure
5	04626593	1					DEC		SWITCH, Back Up Lamp

VIPER (ZB)

SERIES
S = SRT-10
X = Coupe

LINE
D = DODGE

BODY
27 = 2-DR CONVERTIBLE
29 = SPECIALTY COUPE

ENGINE

EWC = Engine - 8.3L V10 SFI

TRANSMISSION

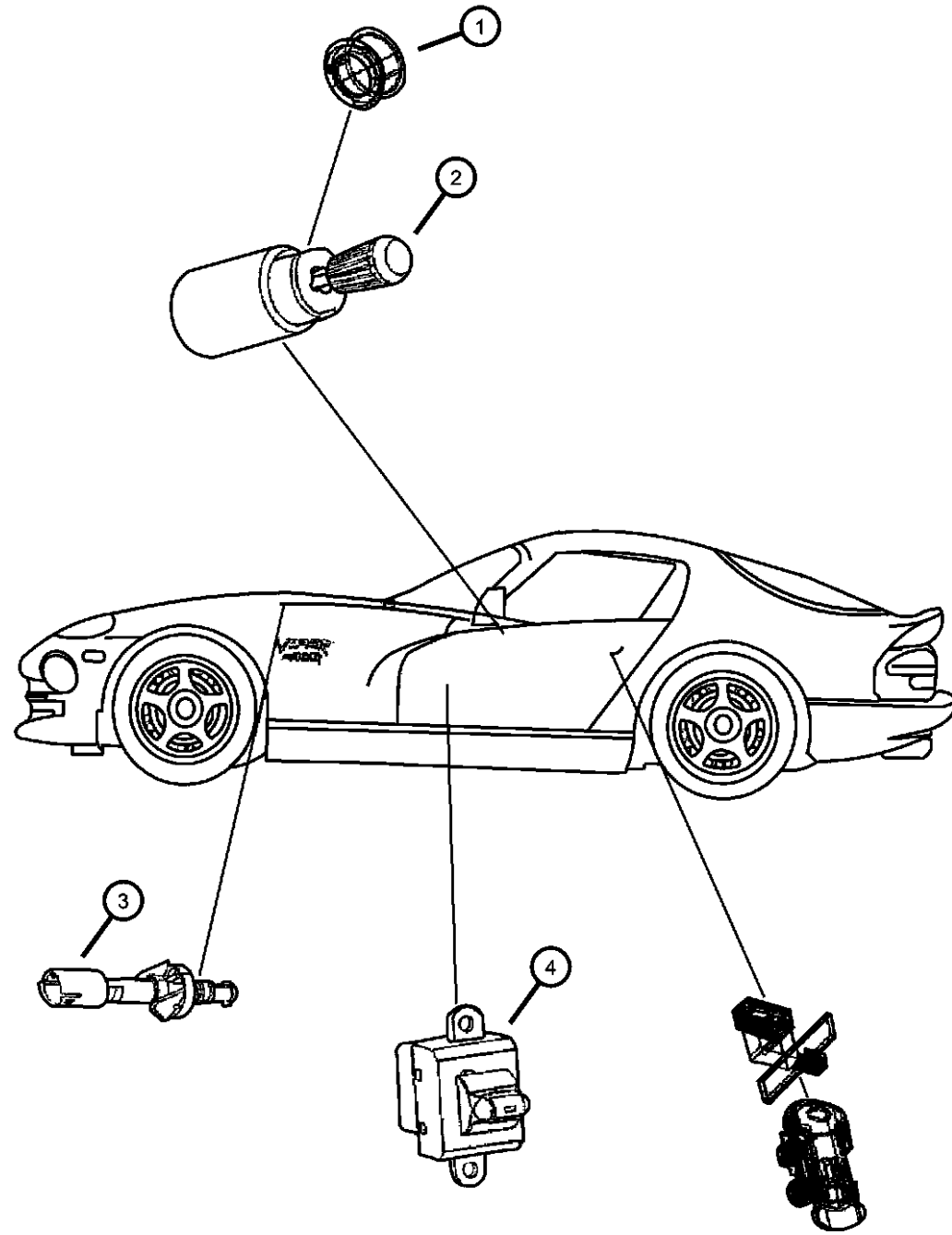
DEC = 6-Speed Manual
DBB = All Manual Transmissions

AR = use ase required - = Non illustrated part

2003 ZB

Switches Body
Figure 8-815

ITEM	PART NUMBER	QTY	LINE	SERIES	BODY	ENGINE	TRANS	TRIM	DESCRIPTION
1	04608505AC	1							SWITCH, Mirror
2	04608505AC	1							NUT, (NOT REQUIRED)
3	04687594	1							SWITCH, Door Ajar
4	04685435	1							SWITCH, Convertible top
-5	04865875AA	1							SWITCH, Passenger Airbag Disarm
-6	05093227AA	1							HOUSING, Switch, Window switch
-7	04608633AD	2							SWITCH, Single Gang Power Window
-8	04865870AB	1							SWITCH, Door HandleInside
-9	05083970AA	1			27				BEZEL, Switch
-10	04685841AB	1							SWITCH, Door Lock, Door Key Position
-11	05293090AC	1							SWITCH, Outside Door Handle
-12	04687594AB	1							SWITCH, Underhood, Hood Ajar



VIPER (ZB)

SERIES
S = SRT-10
X = Coupe

LINE
D = DODGE

BODY
27 = 2-DR CONVERTIBLE
29 = SPECIALTY COUPE

ENGINE
EWC = Engine - 8.3L V10 SFI

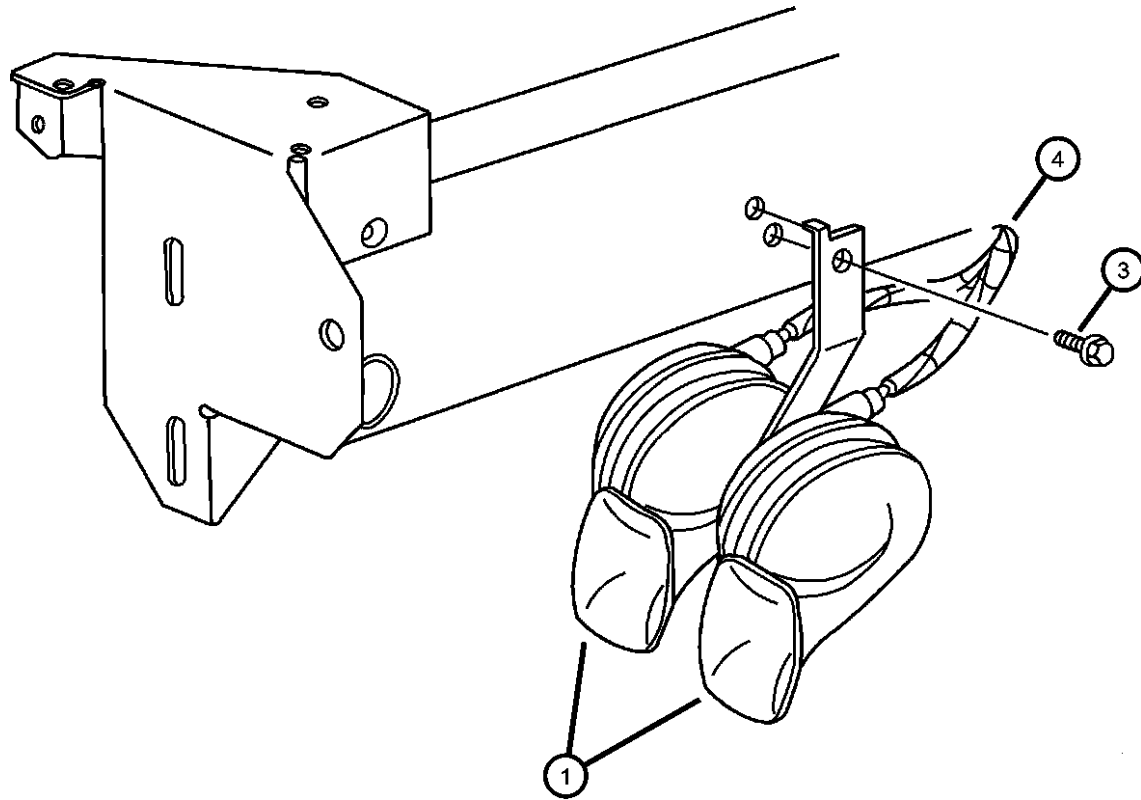
TRANSMISSION
DEC = 6-Speed Manual
DBB = All Manual Transmissions

AR = use ase required - = Non illustrated part

2003 ZB

Horns
Figure 8-905

ITEM	PART NUMBER	QTY	LINE	SERIES	BODY	ENGINE	TRANS	TRIM	DESCRIPTION
1	04760944AD	1							HORN AND BRACKET, High Note
-2	04760943AD	1							HORN AND BRACKET, Low Note
3	04760943AD	1							SCREW, .250-14x.875, Horn Attaching, (NOT SERVICED)
4	04760943AD	1							WIRING, Headlamp to Dash, See 8-1305, (NOT SERVICED)



VIPER (ZB)

SERIES
S = SRT-10
X = Coupe

LINE
D = DODGE

BODY
27 = 2-DR CONVERTIBLE
29 = SPECIALTY COUPE

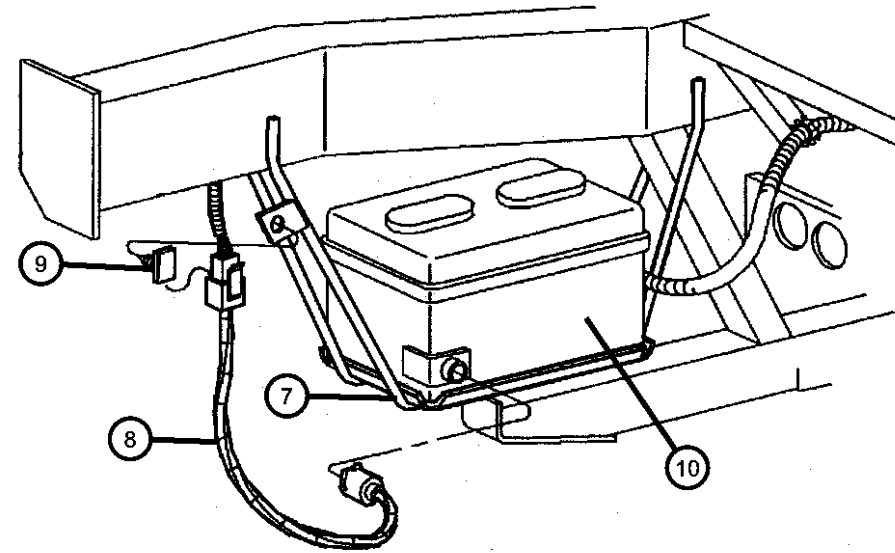
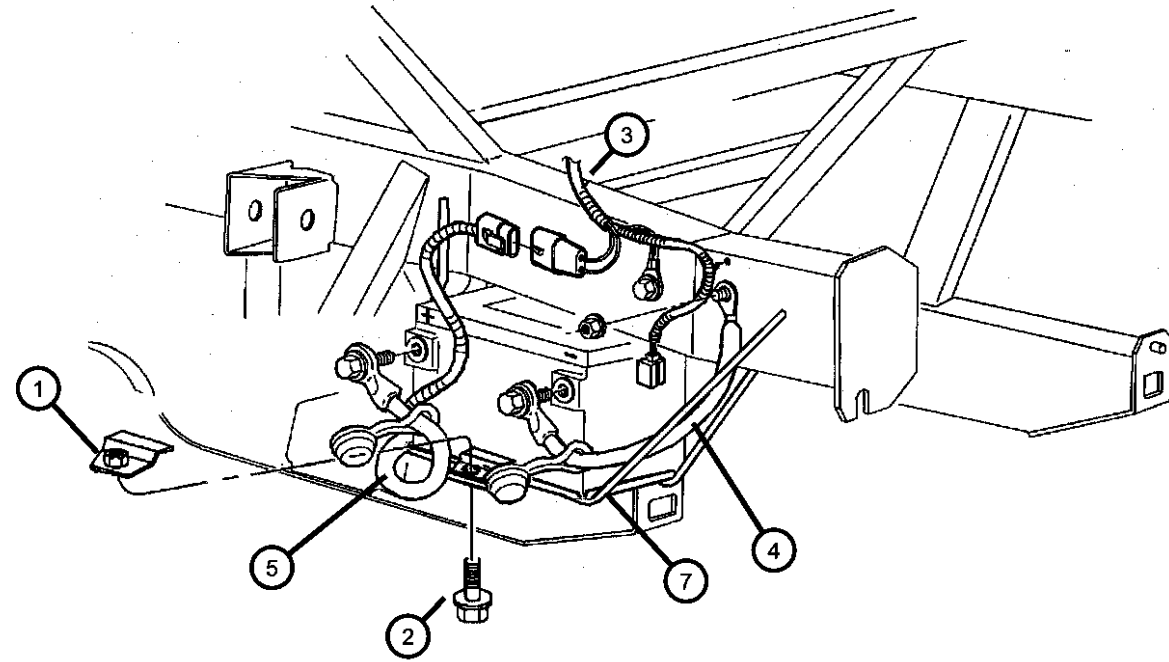
ENGINE
EWC = Engine - 8.3L V10 SFI

TRANSMISSION
DEC = 6-Speed Manual
DBB = All Manual Transmissions

AR = use ase required - = Non illustrated part

2003 ZB

Battery Tray and Cables
Figure 8-1005



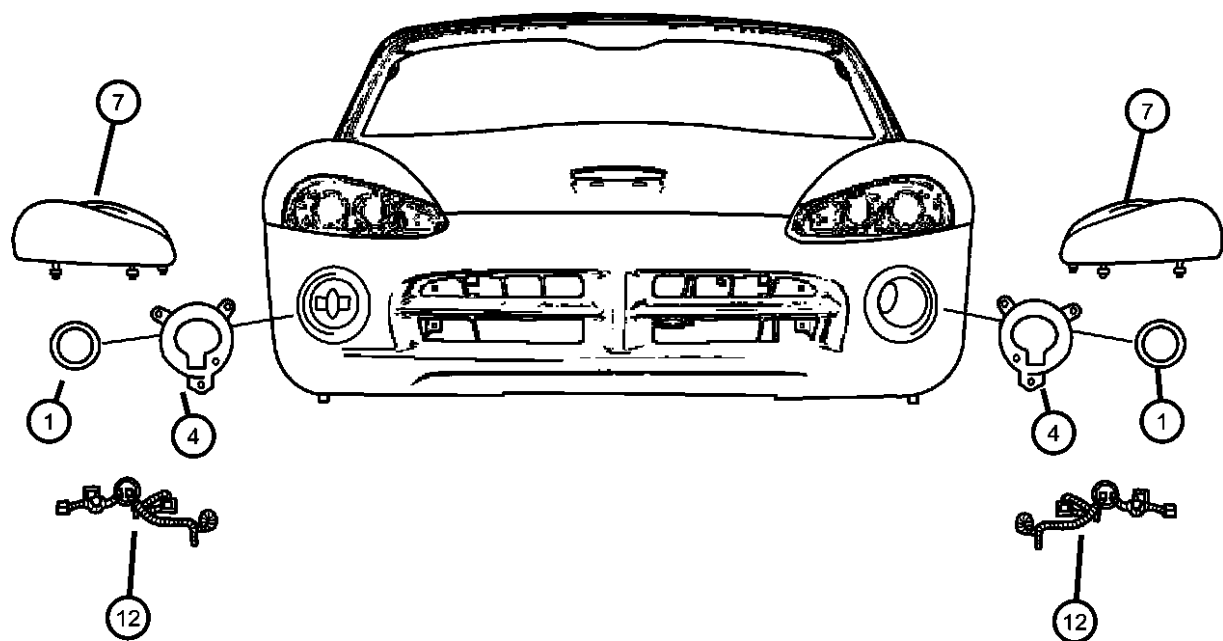
ITEM	PART NUMBER	QTY	LINE	SERIES	BODY	ENGINE	TRANS	TRIM	DESCRIPTION
1	05290220AA	1							RETAINER, Battery Hold Down
2	06500584	1			27				SCREW AND WASHER, Hex Head, M8x1.25x30, Battery Retainer
3	04865468AE	1			27				WIRING, Body
4									WIRING, Battery Negative
	04865977AB	1			27				Up to 05/07/03
	04865977AC	1			27				After 05/07/03
5	04865977AC	1							WIRING, Battery Positive, Serviced in Body Harness only, (NOT SERVICED),
-6	04848923AA	1							LABEL, Battery
7	04848923AA	1							TRAY, Battery, Serviced in frame assembly, (NOT SERVICED)
8	56028194	1							SENSOR, Battery Temperature
9	56028194	1							CLIP, [9MM], (NOT SERVICED)
10	04364944	1			27				BATTERY
	BAUNV34650								Mopar Universal Battery
	NAS34770EX								Mopar NASCAR Battery
-11	05029087AA	1							COVER, Battery

VIPER (ZB)

SERIES	LINE	BODY	ENGINE	TRANSMISSION
S = SRT-10	D = DODGE	27 = 2-DR CONVERTIBLE	EWC = Engine - 8.3L V10 SFI	DEC = 6-Speed Manual
X = Coupe		29 = SPECIALTY COUPE		DBB = All Manual Transmissions

AR = use ase required - = Non illustrated part

Lamps and Wiring - Front
Figure 8-1105



ITEM	PART NUMBER	QTY	LINE	SERIES	BODY	ENGINE	TRANS	TRIM	DESCRIPTION
ACR=COMPETITION GROUP									
1	05029226AA	2							LAMP, Front Fog
-2	L0009145	2							BULB, Fog Lamp, 50 Watt
-3	04865822AA	1			27				PANEL, Fog Lamp
4	05029228AA	2							BRACKET, Fog Lamp
-5	05029228AA	2							SCREW, Hex Head Tapping, .19-16x1, (NOT SERVICED)
-6	05029228AA	2							SEAL, Fog Lamp, Serviced in Fog Lamp Assembly, (NOT SERVICED)
7									HEADLAMP
	04865484AC	1			27				Right
	04865485AC	1			27				Left
-8									BULB, Headlamp
	04865941AA	1							Right or Left
	L0009005	1							Low Beam
	L09005XSLL	1			27				High Beam
-9	00153624	1							BULB, W3W
-10	L002825W5W	1							BULB, W10/5, Side marker, Right or Left
-11	L004157NAK	1							BULB, 4157 NAK
12	04865895AB	1							WIRING, Headlamp JumperRight or Left
-13	L0000194	1							BULB, 194, Side Marker
-14	L003157K	1							BULB, 3157K
-15	05029065AA	1							SOCKET, Headlamp

VIPER (ZB)

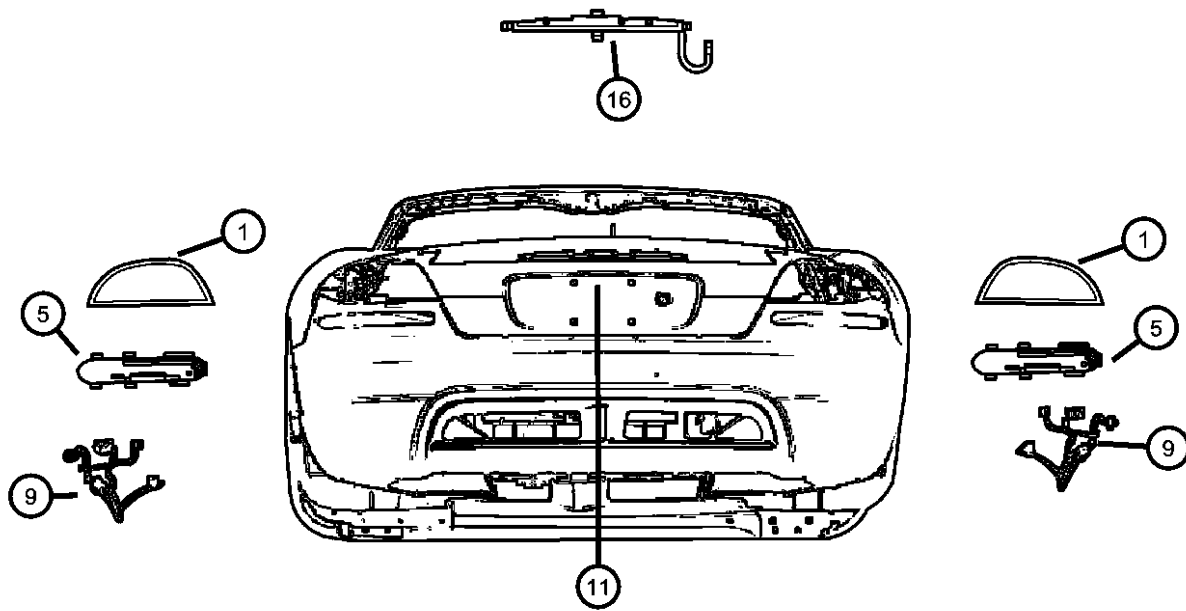
SERIES	LINE	BODY	ENGINE	TRANSMISSION
S = SRT-10	D = DODGE	27 = 2-DR CONVERTIBLE	EWC = Engine - 8.3L V10 SFI	DEC = 6-Speed Manual
X = Coupe		29 = SPECIALTY COUPE		DBB = All Manual Transmissions

AR = use ase required - = Non illustrated part

2003 ZB

Lamps and Wiring - Rear
Figure 8-1110

ITEM	PART NUMBER	QTY	LINE	SERIES	BODY	ENGINE	TRANS	TRIM	DESCRIPTION
1	04865486AC	1							LAMP, Tail Stop Turn Up to 01/27/03, Right
	04865486AE	1			27				After 01/27/03, Right
	04865487AC	1							Up to 01/27/03, Left
	04865487AE	1			27				After 01/27/03, Left
-2	06100876	6			27				WASHER, Flat, M6.82x17.00x1.75, Tail Lamp to Quarter Panel
-3	L003057K	1							BULB, 3057KRight or Left
-4	05003368AA	2			27				VENT, Tail lamp
5									LAMP, Back-Up and Turn Signal
	04865488AB	1							Up to 05/01/03, Right
	04865489AC	1			27				After 05/01/03, Left
	04865488AC	1			27				After 05/01/03, Right
	04865489AB	1							Up to 05/01/03, Left
-6	05029224AA	6							U-CLIP, Grille To Fascia, BACK UP LAMP TO REAR FASCIA
-7	L0003457AK	1			27				BULB, 3457AK SilverStar
	L0003457ST								
-8	L003757A	1			27				BULB, 3757APY27/7W
9									WIRING, Taillamp
	04865896AB	1							Left
		1							Right
-10	06502589	6							NUT, Wing, M6, Licens Lamp attaching
11	04642929AB	2			27				LAMP, License Plate
-12	04642929AB	2							SCREW, Tapping, .19-16x.75, License Lamp Attaching, (NOT SERVICED)
-13	06034537	4							NUT, U Type, .190-16, License Lamp attaching
-14	L0000168	2							BULB, 168
-15	04865897AC	1			27				WIRING, High Mounted Stop Lamp
16	04865655AB	1			27				LAMP, High Mounted Stop
-17	06101447	4			27				NUT, CHMSL to Deck Lid attaching
-18	04815972AB	AR							SHIM, Tail Lamp
-19	04399599	1							SEAL, Tail Lamp Socket
-20	04523097	1							SOCKET, Turn Signal Lamp



VIPER (ZB)

SERIES	LINE	BODY	ENGINE	TRANSMISSION
S = SRT-10	D = DODGE	27 = 2-DR CONVERTIBLE	EWC = Engine - 8.3L V10 SFI	DEC = 6-Speed Manual
X = Coupe		29 = SPECIALTY COUPE		DBB = All Manual Transmissions

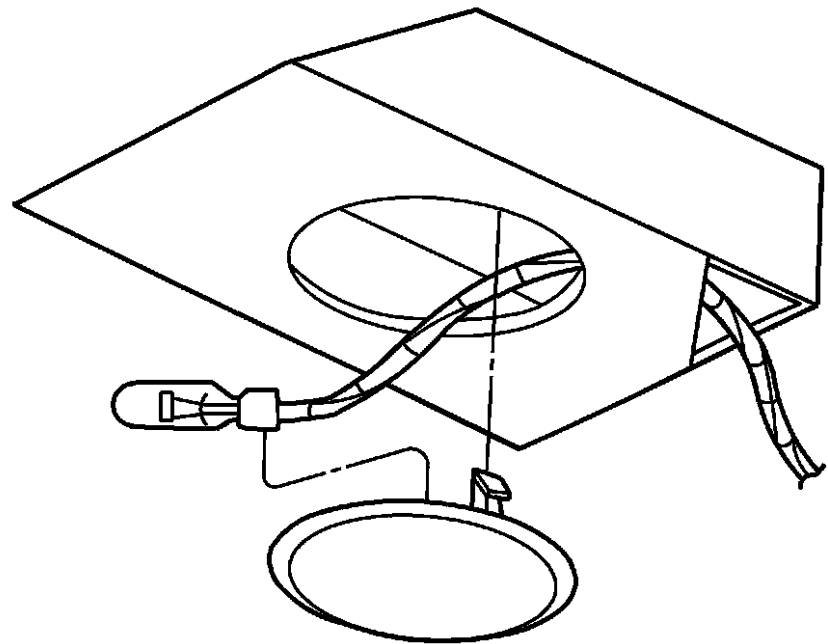
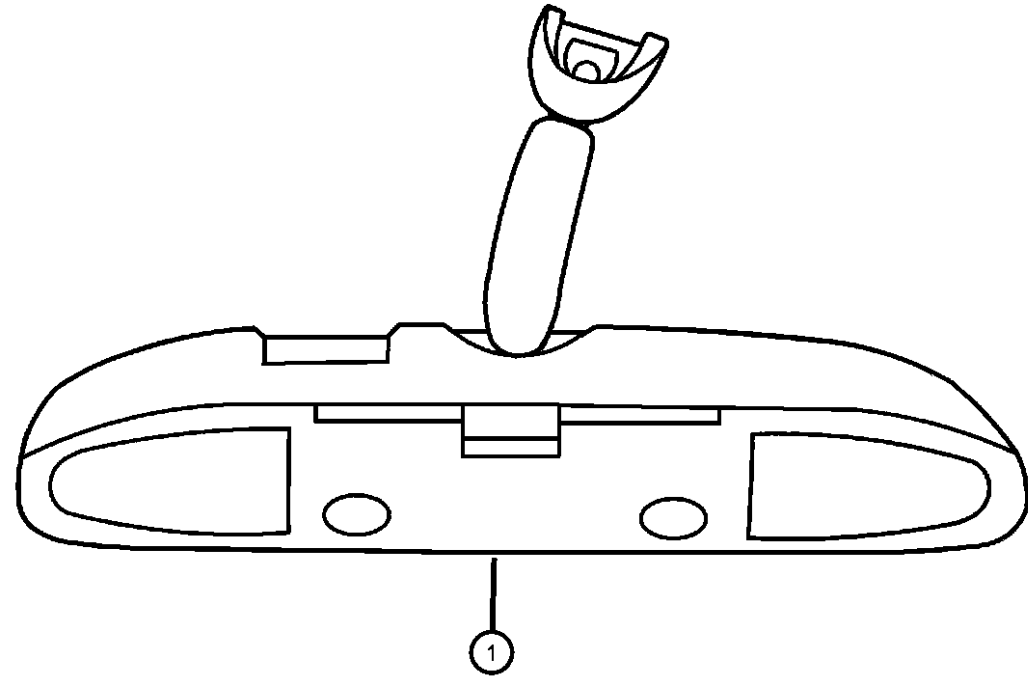
AR = use ase required - = Non illustrated part

Courtesy Lamps
Figure 8-1115

ITEM	PART NUMBER	QTY	LINE	SERIES	BODY	ENGINE	TRANS	TRIM	DESCRIPTION
------	-------------	-----	------	--------	------	--------	-------	------	-------------

1 05029067AB 1

MIRROR, Inside Rear View,
Lighted



VIPER (ZB)

SERIES

S = SRT-10
X = Coupe

LINE

D = DODGE

BODY

27 = 2-DR CONVERTIBLE
29 = SPECIALTY COUPE

ENGINE

EWC = Engine - 8.3L V10 SFI

TRANSMISSION

DEC = 6-Speed Manual
DBB = All Manual Transmissions

AR = use ase required - = Non illustrated part

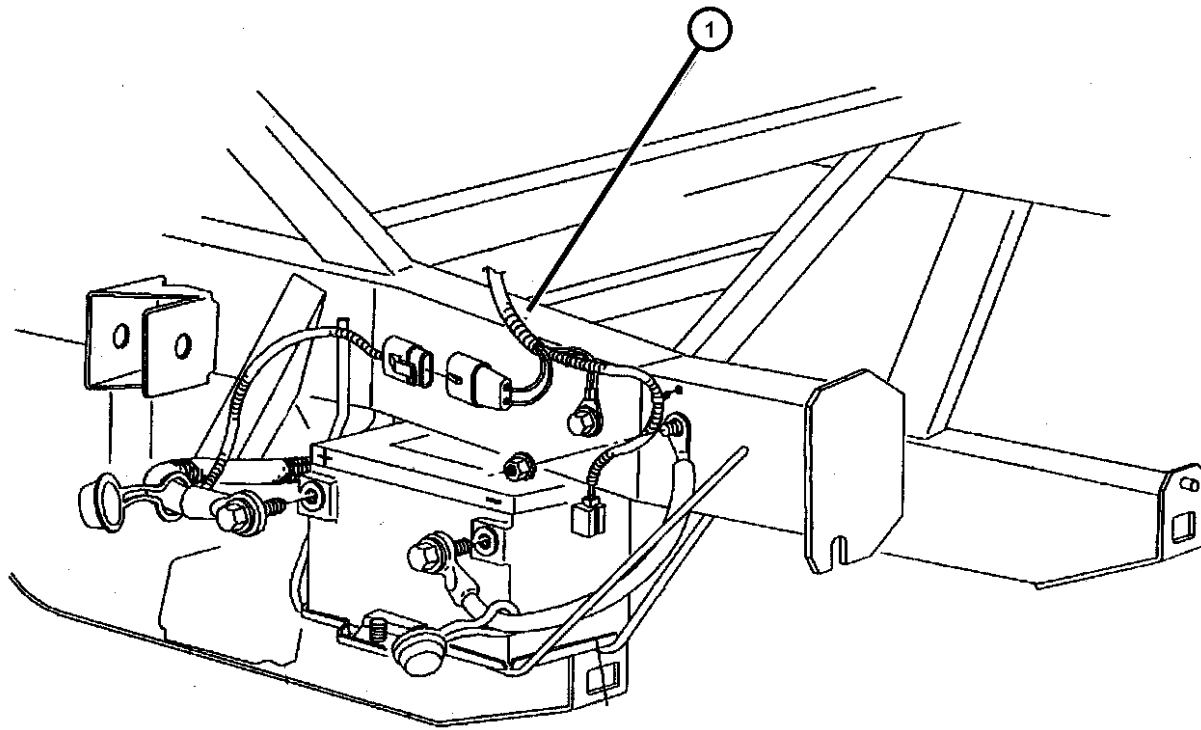
2003 ZB

**Wiring - Engine and Related Parts
Figure 8-1205**

ITEM	PART NUMBER	QTY	LINE	SERIES	BODY	ENGINE	TRANS	TRIM	DESCRIPTION
------	-------------	-----	------	--------	------	--------	-------	------	-------------

EWB=8.0L V10 SFI

1									WIRING, Engine
	05030250AA	1			27	EWC			After 04/04/03
	05037287AD	1			27	EWC			Up to 04/04/03
-2	05037287AD	1							WIRING, Alternator, Serviced in Headlamp to Dash Harness, (NOT SERVICED),
-3									BRACKET, Wire Harness Manifold
	04848779AC	2			27	EWC			
	05037356AA	1				EWC			
-4	04865977AB	1			27				WIRING, Battery Negative
-5	05037139AB	1				EWC			WIRING, Engine Ground
-6	04865928AB	1			27				WIRING, Transmission



VIPER (ZB)

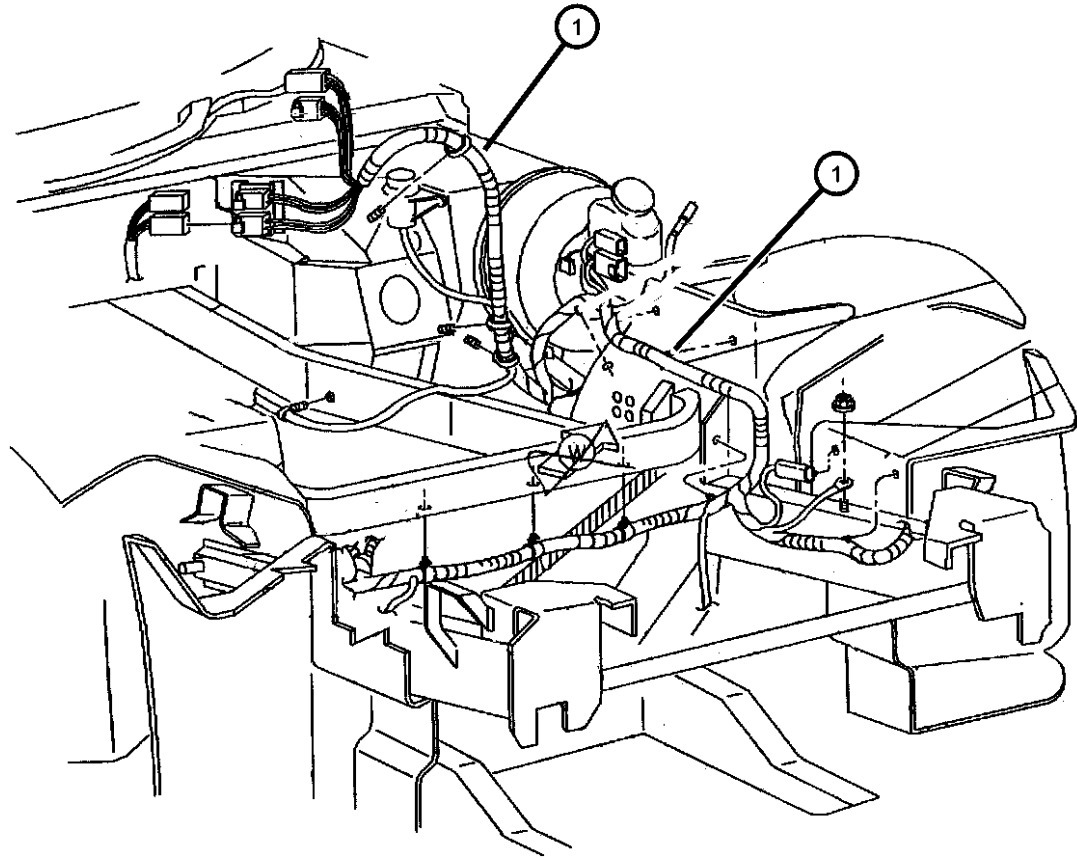
SERIES	LINE	BODY	ENGINE	TRANSMISSION
S = SRT-10	D = DODGE	27 = 2-DR CONVERTIBLE	EWC = Engine - 8.3L V10 SFI	DEC = 6-Speed Manual
X = Coupe		29 = SPECIALTY COUPE		DBB = All Manual Transmissions

AR = use ase required - = Non illustrated part

2003 ZB

**Wiring - Headlamp to Dash
Figure 8-1305**

ITEM	PART NUMBER	QTY	LINE	SERIES	BODY	ENGINE	TRANS	TRIM	DESCRIPTION
1	04865470AF	1			27				WIRING, Headlamp and Dash
-2	05029211AA	1							BRACKET, Wiring Harness



VIPER (ZB)

SERIES
S = SRT-10
X = Coupe

LINE
D = DODGE

BODY
27 = 2-DR CONVERTIBLE
29 = SPECIALTY COUPE

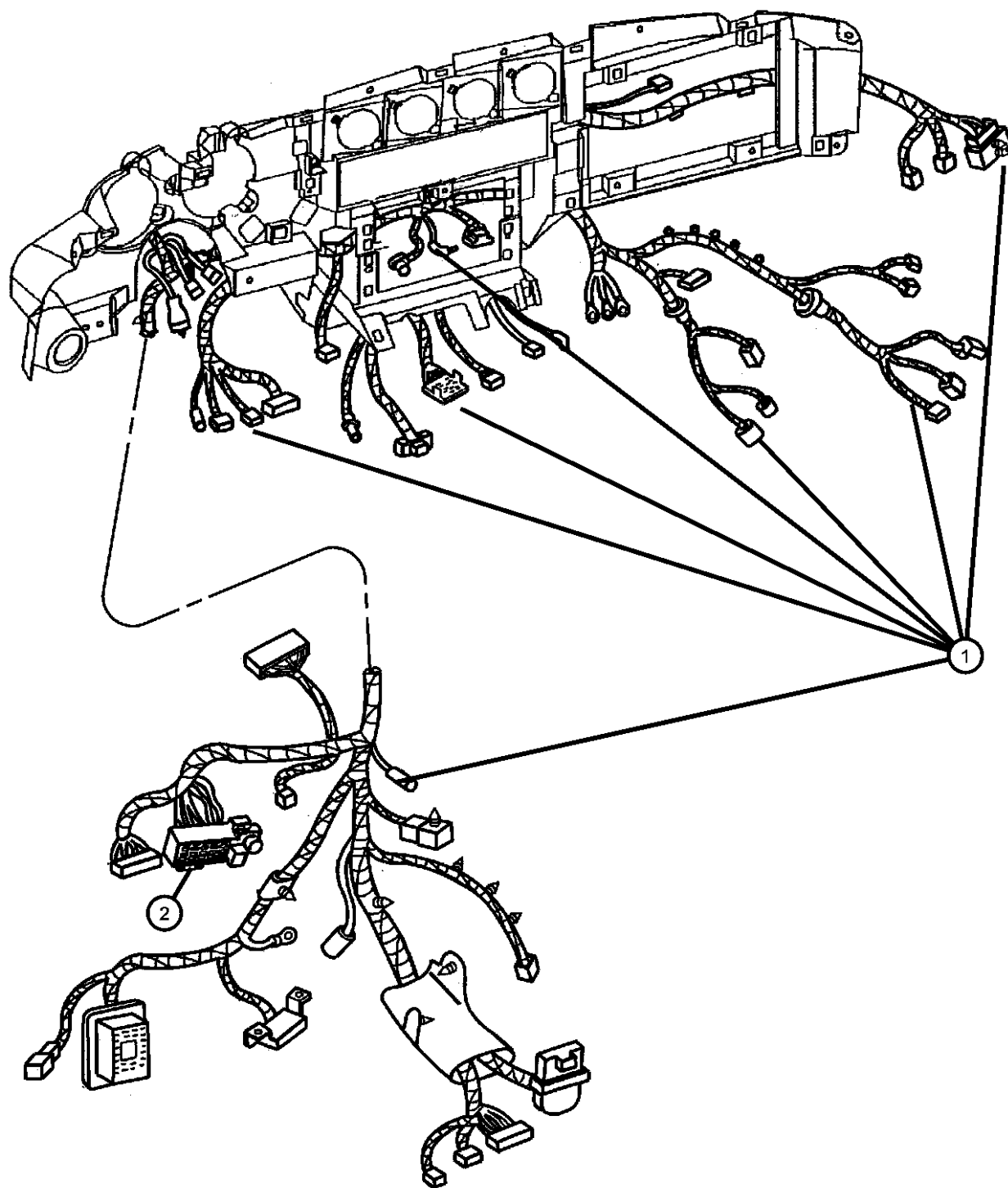
ENGINE
EWC = Engine - 8.3L V10 SFI

TRANSMISSION
DEC = 6-Speed Manual
DBB = All Manual Transmissions

AR = use ase required - = Non illustrated part

2003 ZB

Wiring - Instrument Panel
Figure 8-1405



ITEM	PART NUMBER	QTY	LINE	SERIES	BODY	ENGINE	TRANS	TRIM	DESCRIPTION
1	04865471AE	1			27				WIRING, Instrument Panel
2	04865471AE	1							BLOCK, Fuse, Serviced in Instrument Panel Harness, (NOT SERVICED)
-3	04848579	1							LABEL, Fuse Block
-4	04671714AB	1							FLASHER
-5	04606418AA	2							RELAY, Electrical, Up/Down Window Relay

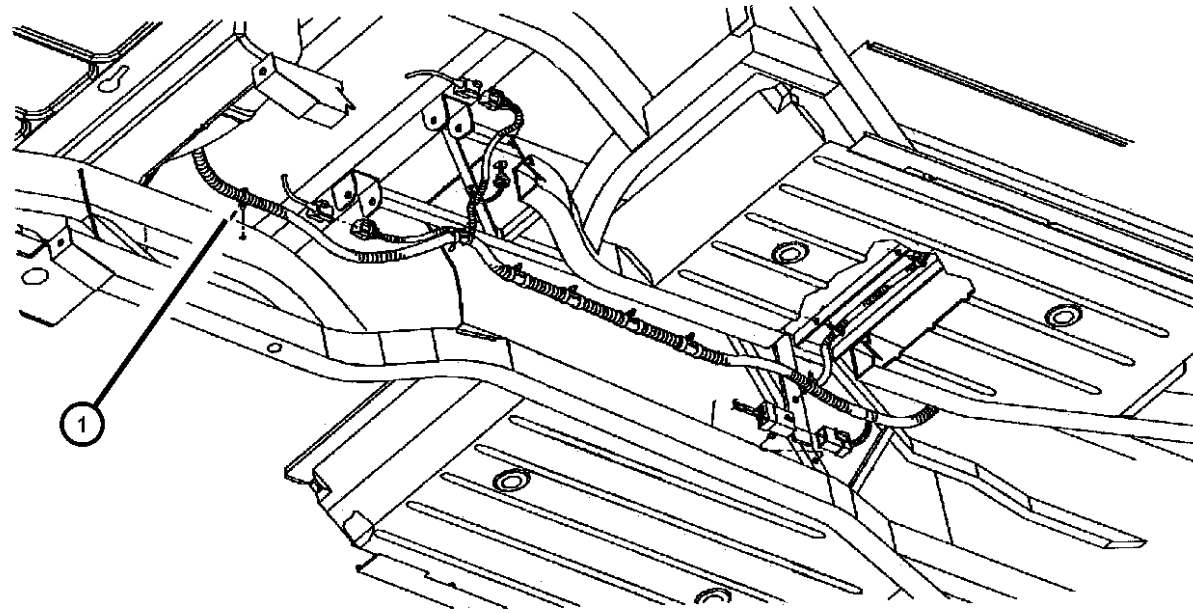
VIPER (ZB)

SERIES	LINE	BODY	ENGINE	TRANSMISSION
S = SRT-10	D = DODGE	27 = 2-DR CONVERTIBLE	EWC = Engine - 8.3L V10 SFI	DEC = 6-Speed Manual
X = Coupe		29 = SPECIALTY COUPE		DBB = All Manual Transmissions

AR = use ase required - = Non illustrated part

2003 ZB

Wiring - Body and Accessories
Figure 8-1505



ITEM	PART NUMBER	QTY	LINE	SERIES	BODY	ENGINE	TRANS	TRIM	DESCRIPTION
1									WIRING, Body
	04801247AC	1			27				Up to 01/07/03, Right
	04801247AD	1			27				After 01/07/03,
	04865468AE	1			27				Up to 02/10/03
	04865468AG	1			27				After 02/10/03
-2	04865928AB	1			27				WIRING, Transmission
-3	04865928AB	1							WIRING, Battery Positive, Serviced in body harness only, (NOT SERVICED)
-4	04865977AB	1			27				WIRING, Battery Negative
-5									WIRING, Door
	04865466AD	1			27				Right
	04865467AC	1			27				Left
-6	05029269AD	1			27				WIRING, Console
-7									WIRING, A/C and HEATER
	04865886AA	1			27				
	05093250AA	1							Sub Harness

VIPER (ZB)

SERIES	LINE	BODY	ENGINE	TRANSMISSION
S = SRT-10	D = DODGE	27 = 2-DR CONVERTIBLE	EWC = Engine - 8.3L V10 SFI	DEC = 6-Speed Manual
X = Coupe		29 = SPECIALTY COUPE		DBB = All Manual Transmissions

AR = use ase required - = Non illustrated part

**Connector Repair Package
Figure 8-1605**

ITEM	PART NUMBER	QTY	LINE	SERIES	BODY	ENGINE	TRANS	TRIM	DESCRIPTION
-1									WIRING PACKAGE, Underhood Connector Repair, For Electrical Connector Repair Information visit the World Wide Web at http://dto.vftis.com/mopar/disclaimer.asp
	05013930AD	1							Update kit
	05083235AA	1							Update kit
-2	05019912AA	1							TOOL, Crimping
-3	05014757AD	1							MANUAL, Connector Repair
-4									WIRING KIT, Electric Repair
	05073029AA	1							With crimping tool Splicing Kit
	05080522AA	1							Splicing Kit
-5	05083221AA	1							WIRING KIT, 22 Way, Female, Radio Repair
-6									STRAP, Ground
	05029027AB	1						27	Hood silencer pad right
	05029214AB	1						27	Hood silencer pad left

For Electrical Connector Repair Information visit the World Wide Web at

<http://dto.vftis.com/mopar/disclaimer.asp>

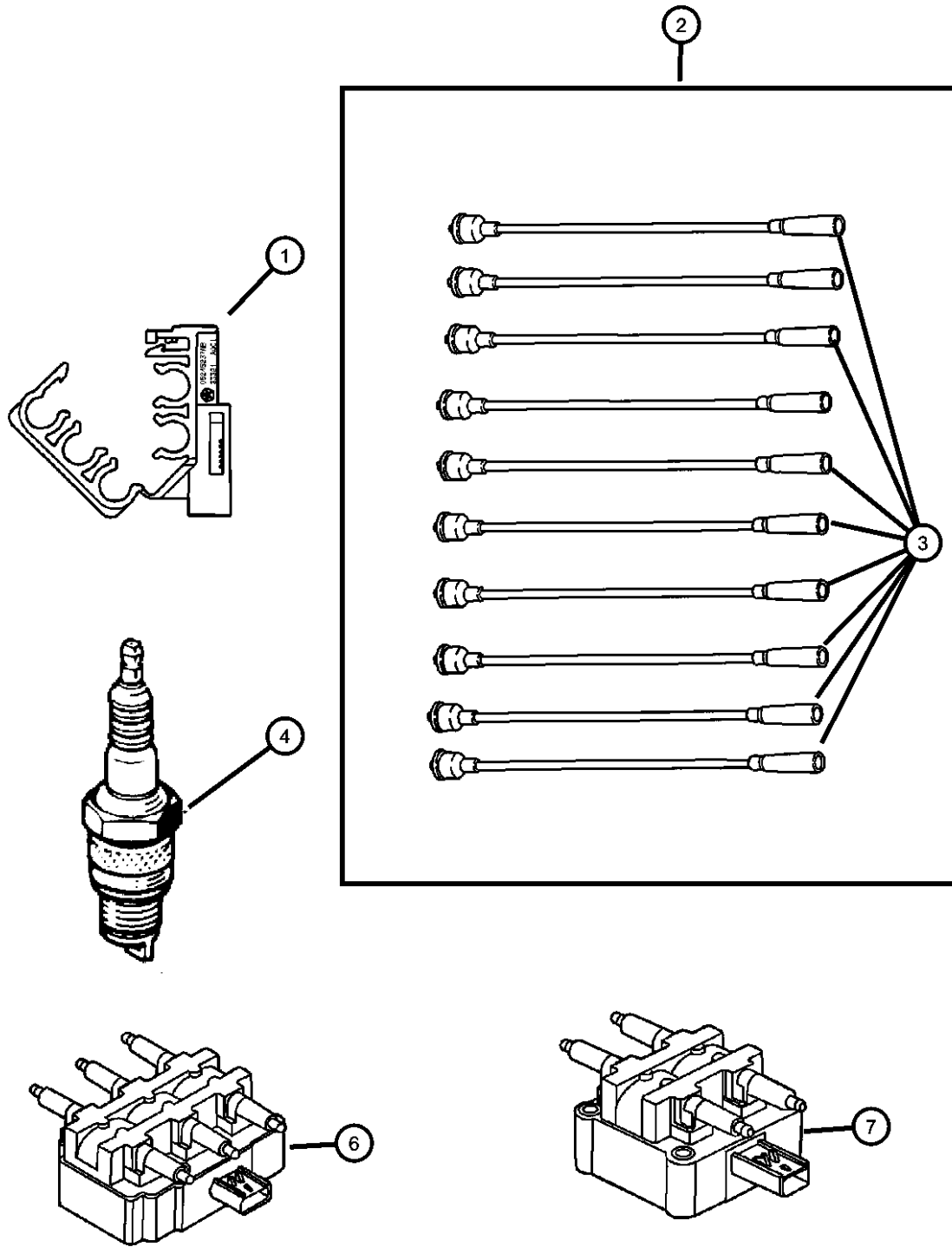
VIPER (ZB)

SERIES	LINE	BODY	ENGINE	TRANSMISSION
S = SRT-10	D = DODGE	27 = 2-DR CONVERTIBLE	EWC = Engine - 8.3L V10 SFI	DEC = 6-Speed Manual
X = Coupe		29 = SPECIALTY COUPE		DBB = All Manual Transmissions

AR = use ase required - = Non illustrated part

2003 ZB

Spark Plugs - Cables - Coil
Figure 8-1905



ITEM	PART NUMBER	QTY	LINE	SERIES	BODY	ENGINE	TRANS	TRIM	DESCRIPTION
EWB=8.0L V10 SFI									
1	05245237AB	4				EWC			SEPERATOR, Ignition Cable
2	05093789AA	1				EWC			CABLE PACKAGE, Ignition
3									WIRE, Spark Plug
	05037178AC	1			27	EWC			[#2]
	05037179AC	1			27	EWC			[#4]
	05037180AC	1			27	EWC			[#6]
	05037181AC	1			27	EWC			[#8]
	05037182AC	1			27	EWC			[#10]
	05037184AC	1			27	EWC			[#1]
	05037185AC	1			27	EWC			[#3]
	05037186AC	1			27	EWC			[#5]
	05037187AC	1			27	EWC			[#7]
	05037188AC	1			27	EWC			[#9]
4	SP0RC12ECC	10			27	EWC			SPARK PLUG
-5	05037104AB	10				EWC			SHIELD, Heat
6	56032520	1				EWC			COIL, Ignition, Six lead
7	56032521	1				EWC			COIL, Ignition, Four lead
-8	06034526	8				EWC			SCREW AND WASHER, Coil attaching
-9	00154777	8			27	EWC			SCREW AND WASHER, Hex Head, .25-20x1.00, Coil attaching

VIPER (ZB)

SERIES	LINE	BODY	ENGINE	TRANSMISSION
S = SRT-10	D = DODGE	27 = 2-DR CONVERTIBLE	EWC = Engine - 8.3L V10 SFI	DEC = 6-Speed Manual
X = Coupe		29 = SPECIALTY COUPE		DBB = All Manual Transmissions

AR = use ase required - = Non illustrated part

Group - 08A

Instrument Panel and Radios and Consoles

Group - 08A Instrument Panel and Radios and Consoles

Illustration Title

Group-Fig. No.

Instrument Panel

Instrument Panel Fig. 08A - 105

Instrument Panel Cluster

Gauge Cluster Fig. 08A - 205

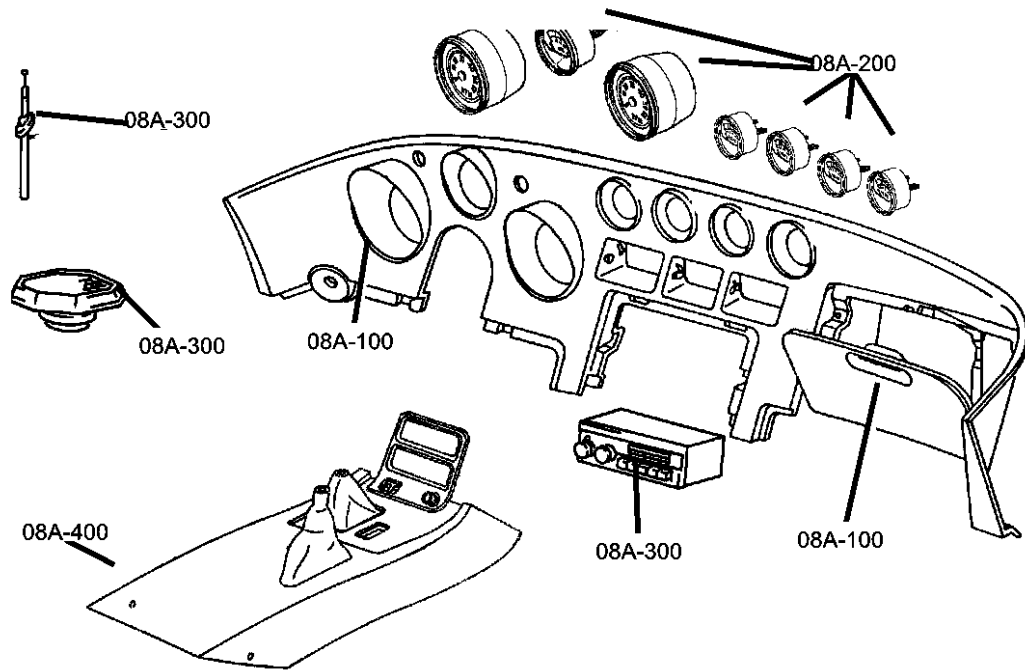
Radio, Antenna, and Speakers

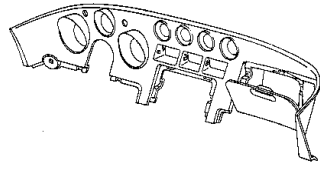
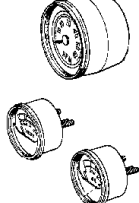
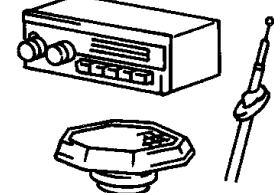
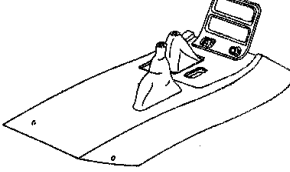
Radio Fig. 08A - 305

Antenna-Speakers Fig. 08A - 310

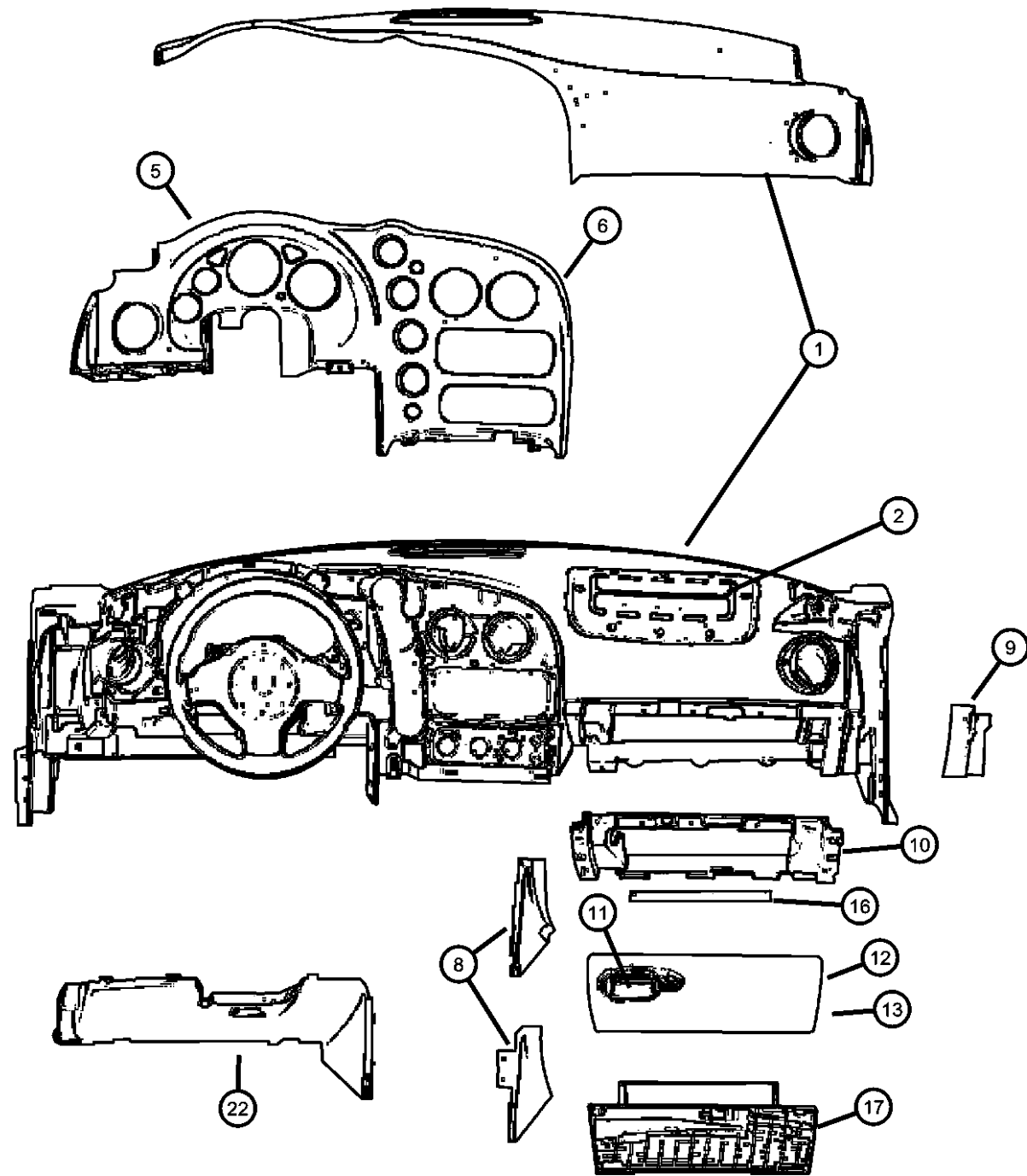
Consoles

Console Fig. 08A - 405



<p>08A-100 Instrument Panel</p> 	<p>08A-200 Instrument Panel Cluster</p> 	<p>08A-300 Radio, Antenna, and Speakers</p> 	<p>08A-400 Consoles</p> 
---	--	---	--

**Instrument Panel
Figure 08A-105**



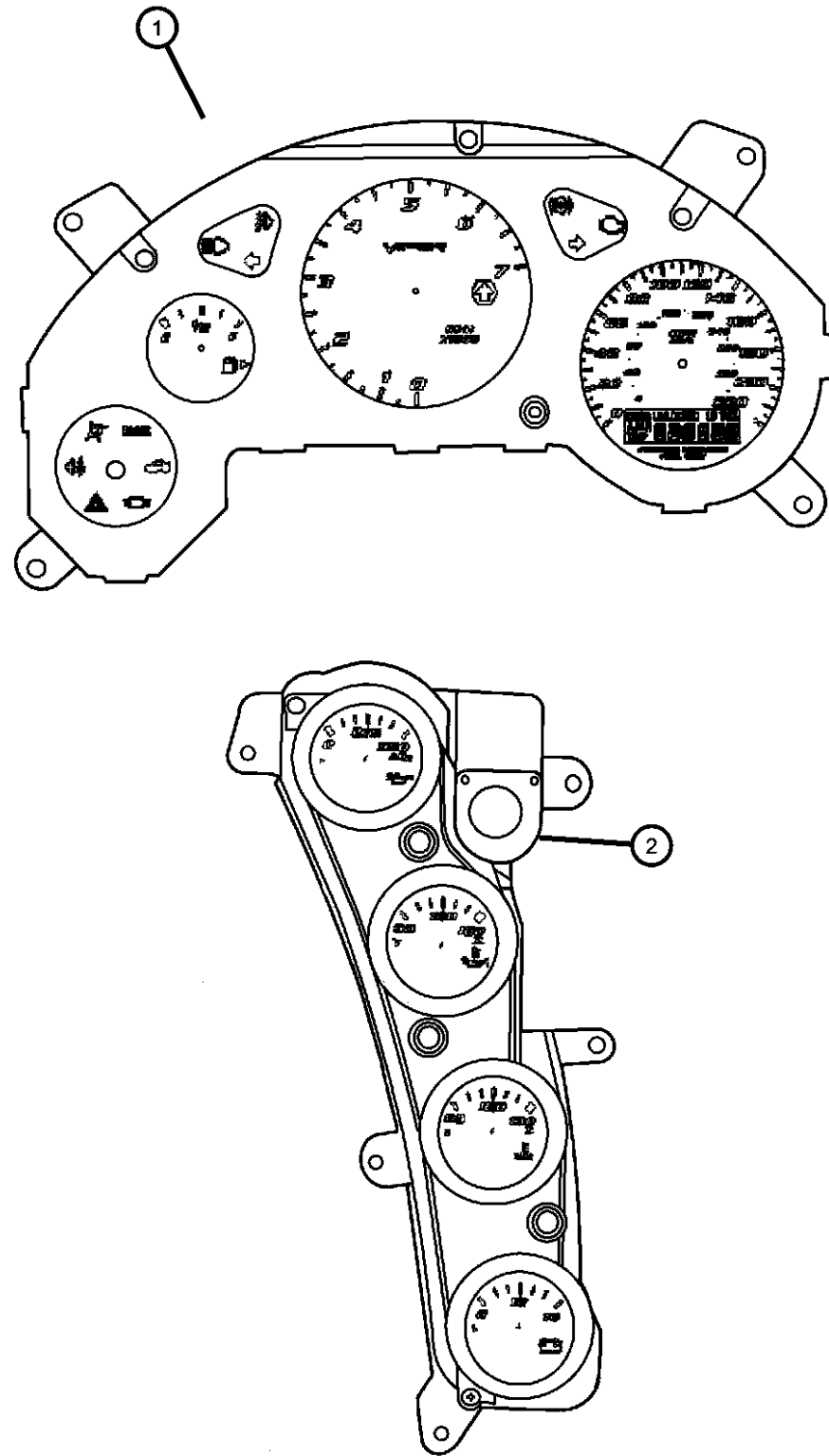
ITEM	PART NUMBER	QTY	LINE	SERIES	BODY	ENGINE	TRANS	TRIM	DESCRIPTION
1	0TS33DX9AB	1							INSTRUMENT PANEL AND PAD, Upper
2	04865531AC	1			27				AIR BAG, Passenger
-3	04865530AA	1							CHUTE, Airbag
-4	04865532AA	1							SUPPORT, Instrument Panel, Cross beam
5	0WA87DX9AA	1							BEZEL, Instrument Cluster
6	0XT23DX9AA	1							BEZEL, Instrument Panel, Center
-7	0UB76DX9AA	1							BEZEL, Instrument Panel, Pedal Adjuster Switch
8	0XT19DX9AA	1							PANEL, InstrumentLeft
9	04865866AA	1							PANEL, InstrumentRight
10	0XT21DX9AA	1							PANEL, InstrumentCenter
11	0QN25DX9AB	1							LATCH, Glovebox Door
12	0XT27DX9AA	1							DOOR, Glove Box
13	04865536AA	1							PANEL, Glove Box, Inner door
-14	04524343	2			27				BUMPER, Glove Box Door
-15	04565022	1							SWITCH AND LAMP, Glove Box
16	04865537AA	1							HINGE, Glovebox
17	05029142AA	1							BIN, Glove box
-18	04698884	1							STRIKER, Glove Box Door Latch
-19	06034833	2							CLIP, Push, .164-7.5, Striker attaching
-20	55055900AA	2							BUMPER, Glove Box Door
-21	04678070	1							STRAP, Glove Box
22	0XT29DX9AA	1							COVER, Instrument Panel, Steering Column Opening
-23	04865860AA	4							SUPPORT, Instrument PanelRadio Bracket
-24	05029016AA	1							BRACKET, Relay, Instrument panel wiring relay bank
-25	0TV67DX9AA	1							GRILLE, Speaker Tweeter, Right
	0TV68DX9AA	1							Tweeter, Left
-26	05029098AA	1							BRACE, Instrument Panel to Floor

VIPER (ZB)

SERIES	LINE	BODY	ENGINE	TRANSMISSION
S = SRT-10	D = DODGE	27 = 2-DR CONVERTIBLE	EWC = Engine - 8.3L V10 SFI	DEC = 6-Speed Manual
X = Coupe		29 = SPECIALTY COUPE		DBB = All Manual Transmissions

AR = use ase required - = Non illustrated part

Gauge Cluster
Figure 08A-205



ITEM	PART NUMBER	QTY	LINE	SERIES	BODY	ENGINE	TRANS	TRIM	DESCRIPTION
1	04865589AD	1			27				CLUSTER, Instrument Panel MPH
	04865626AD	1			27				KPH
2	04865612AD	1			27				GAUGE PACK
	04865627AD	1			27				Canada, Mexico
-3	06101946	4							SCREW, Tapping Cluster mounting
		5							Gauge Pack Mounting
-4	05093045AA	1							LENS, Instrument Cluster Cluster
	05093046AA	1							Gauge pack
-5	05093040AA	1							BULB, Instrument Panel 12v 1.7 Watt Blue Socket 5 in the Cluster 4 in the Gauge Pack
	05093041AA	1							LCD Bulb 14v 1.4 Watt 1 in the Cluster
	05093042AA	6							Tellrale Bulbs 14v 1.4 Watt 6 in the Cluster

VIPER (ZB)

SERIES

S = SRT-10

X = Coupe

LINE

D = DODGE

BODY

27 = 2-DR CONVERTIBLE

29 = SPECIALTY COUPE

ENGINE

EWC = Engine - 8.3L V10 SFI

TRANSMISSION

DEC = 6-Speed Manual

DBB = All Manual Transmissions

AR = use ase required - = Non illustrated part

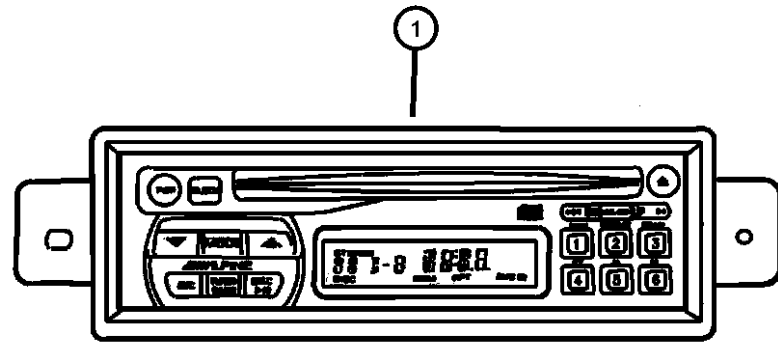
2003 ZB

Radio
Figure 08A-305

ITEM	PART NUMBER	QTY	LINE	SERIES	BODY	ENGINE	TRANS	TRIM	DESCRIPTION
------	-------------	-----	------	--------	------	--------	-------	------	-------------

RBH=PREMIUM, ALPINE STEREO W/CD

1	56038622AC	1							RADIO, AM/FM with CD and Equalizer
-2	06101946	4							SCREW, Tapping
-3	04865860AA	4							SUPPORT, Instrument Panel, Radio support



RBH

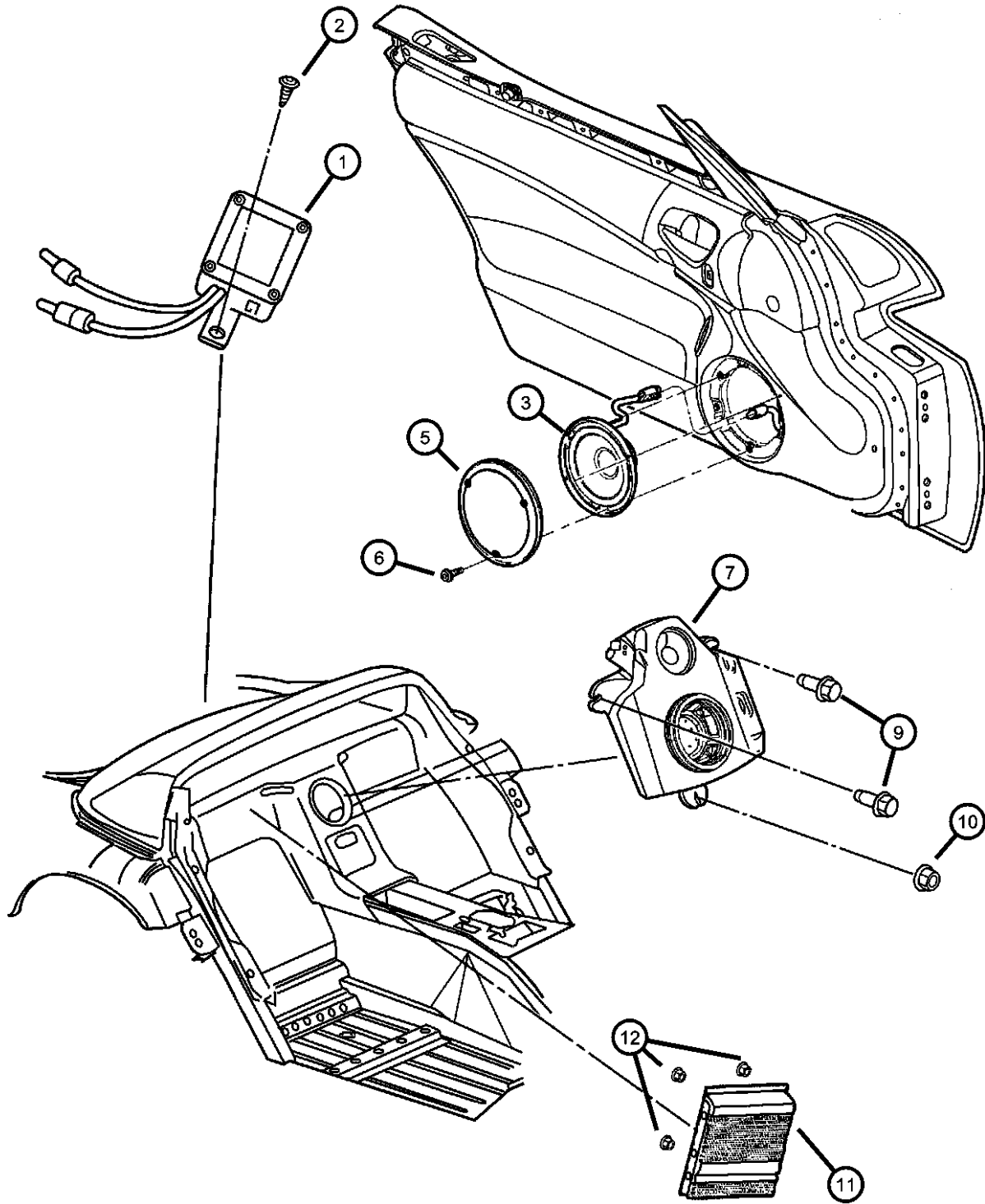
VIPER (ZB)

SERIES	LINE	BODY	ENGINE	TRANSMISSION
S = SRT-10	D = DODGE	27 = 2-DR CONVERTIBLE	EWC = Engine - 8.3L V10 SFI	DEC = 6-Speed Manual
X = Coupe		29 = SPECIALTY COUPE		DBB = All Manual Transmissions

AR = use ase required - = Non illustrated part

2003 ZB

Antenna-Speakers
Figure 08A-310



ITEM	PART NUMBER	QTY	LINE	SERIES	BODY	ENGINE	TRANS	TRIM	DESCRIPTION
1	04815551AC	1							MODULE, Radio Antenna
2	06101826	1							SCREW, M6x1x20, Antenna Module mounting
3	05029994AA	2							SPEAKER, Door
-4	05083940AA	1							BRACKET, SpeakerRight or Left, Door
5	0SL12DX9AA	2							GRILLE, Speaker, Door Speakers
6	0SL12DX9AA	2							SCREW, [0.164-18x1.], (NOT SERVICED)
7	04865995AC	1			27				SPEAKER, Sub Woofer
-8	0WC09DX9AA	1							GRILLE, Speaker, Subwoofer
9	06505336AA	2							SCREW AND WASHER, Head Head Lock, M8-1.25x30.00, Subwoofer mounting
10	06504572	1							NUT AND WASHER, Hex Nut-Coned Washer, M8 x 1.25, Subwoofer mounting
11	04865994AC	1							AMPLIFIER, Radio
12	06504572	3							NUT AND WASHER, Hex Nut-Coned Washer, M8 x 1.25, Amplifier mounting
-13	04865745AC	2			27				SPEAKER, Tweeter, Instrument Panel Mounted
-14	0TV67DX9AA	1							GRILLE, Speaker Right, Instrument Panel
	0TV68DX9AA	1							Left, Instrument Panel
-15	0UX00DX9AA	1							GRILLE, Speaker, Bulkhead Quarter Trim
-16	04865939AA	2							SPEAKER, Rear, Bulkhead Quarter Trim

VIPER (ZB)

SERIES
S = SRT-10
X = Coupe

LINE
D = DODGE

BODY
27 = 2-DR CONVERTIBLE
29 = SPECIALTY COUPE

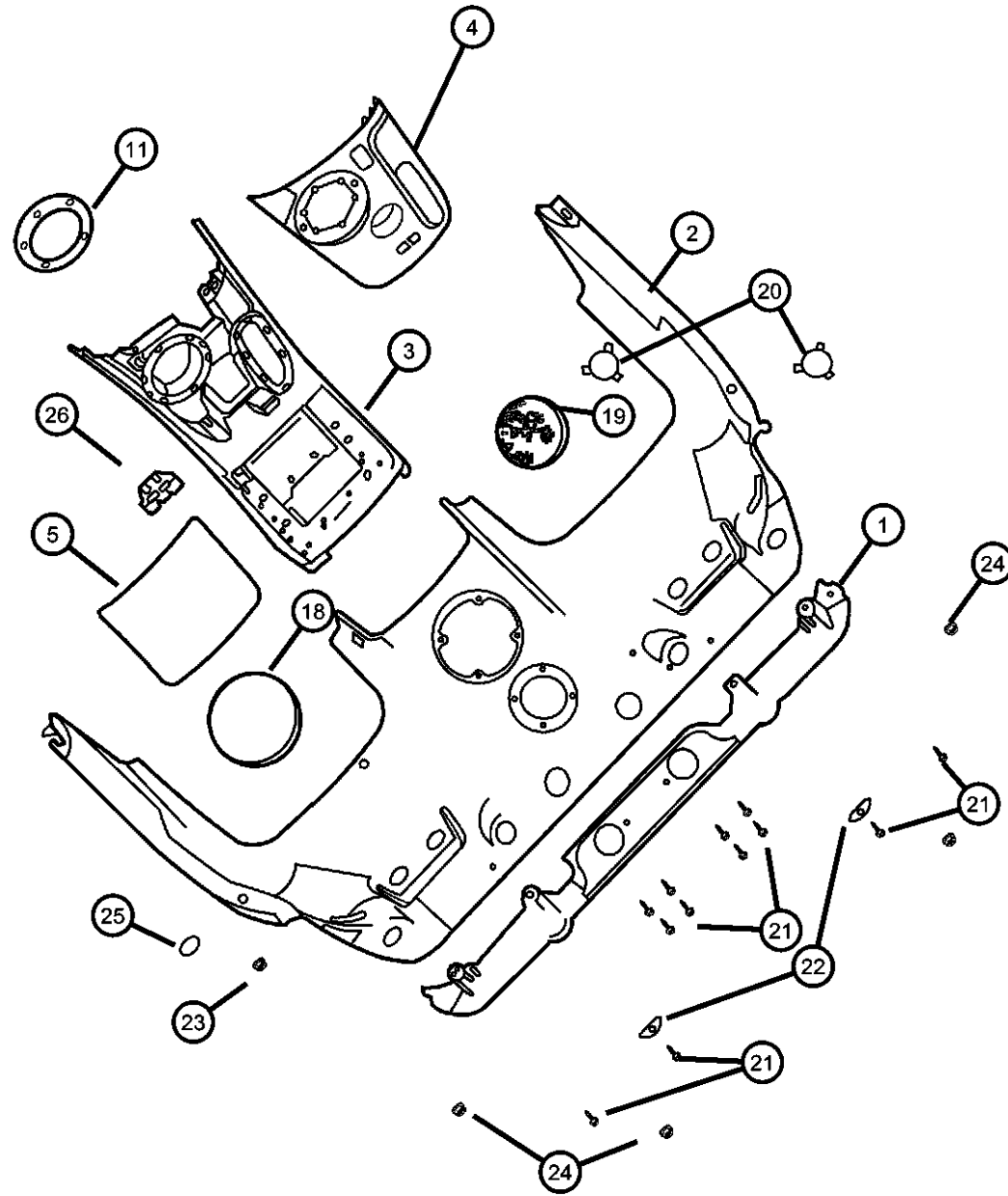
ENGINE
EWC = Engine - 8.3L V10 SFI

TRANSMISSION
DEC = 6-Speed Manual
DBB = All Manual Transmissions

AR = use ase required - = Non illustrated part

2003 ZB

**Console
Figure 08A-405**



ITEM	PART NUMBER	QTY	LINE	SERIES	BODY	ENGINE	TRANS	TRIM	DESCRIPTION
1	05029072AB	1			27				PANEL, Bulkhead Trim
2	0TS04DX9AB	1			27				PANEL, Bulkhead Trim
3	0XN88DX9AA	1							BASE, Floor Console
4	0XP181X9AA	1							BEZEL, Console Shifter
5									LID, Center Console Storage
	0XN89DX9AA	1							Up to 03/25/03
	0XN89DX9AC	1			27				After 03/25/03
-6	05093434AA	2							SCREW, Console, Lid Hinge
-7	04685370AB	1							KNOB AND ELEMENT, Cigar Lighter
-8									BASE, Cigar Lighter
	04793551	1							Under Console Lid
	05029097AC	1			27				Console Bezel mounted
-9	04793555	1							RING, Cigar Lighter Mounting
-10	0XP201X9AA	1							BOOT, Parking Brake Lever
11	05093230AA	1							RING, Shift boot
-12	05037319AA	1							BOOT, GearshiftInner
-13	0XP191X9AA	1							BOOT, GearshiftOuter
-14	0XP191X9AA	1							RIVET, Blind Bolt, [.250 x .367], (NOT SERVICED)
-15	04608633AB	2							SWITCH, Window, Power window
-16	05093227AA	1							HOUSING, Switch, Window switch
-17	04865875AA	1							SWITCH, Passenger Airbag Disarm
18	0WC09DX9AA	1							GRILLE, Speaker
19	0WC09DX9AA	1							GRILLE, Speaker, Subwoofer
20	0SL12DX9AA	2							GRILLE, Speaker
21	06102103AA	4							SCREW AND WASHER, Hex Head, M6x1x20, Bulkhead support attachinh
22	00152493	2							NUT, U-nut Bulkhead panel attaching
23	06032058	2							NUT, Snap In
24	06031869	2							NUT, Push, .19
25	06031869	2							PLUG, Trim Panel, (NOT SERVICED)
26	06031869	2							STRIKER, Console Lid Catch, Serviced in Console Base, (NOT SERVICED)
-27	05093220AA	1							MAT, Floor Console
-28	05029529AA	1			27				ASH RECEIVER, Floor Console

VIPER (ZB)

SERIES	LINE	BODY	ENGINE	TRANSMISSION
S = SRT-10	D = DODGE	27 = 2-DR CONVERTIBLE	EWC = Engine - 8.3L V10 SFI	DEC = 6-Speed Manual
X = Coupe		29 = SPECIALTY COUPE		DBB = All Manual Transmissions

AR = use ase required - = Non illustrated part

Group - 9 Engine Mounting

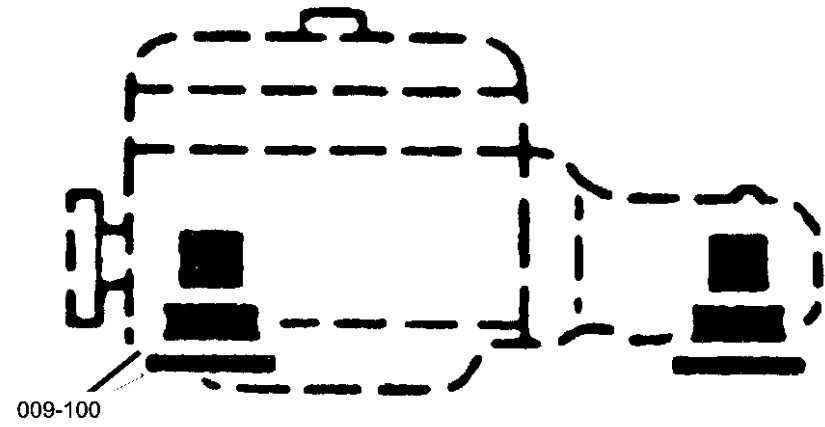
Group - 9 Engine Mounting

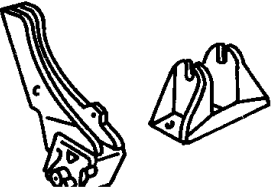
Illustration Title

Group-Fig. No.

Engine Mounting

Engine Mounting	Fig. 9 - 110
Engine Mounting - Transmission	Fig. 9 - 120



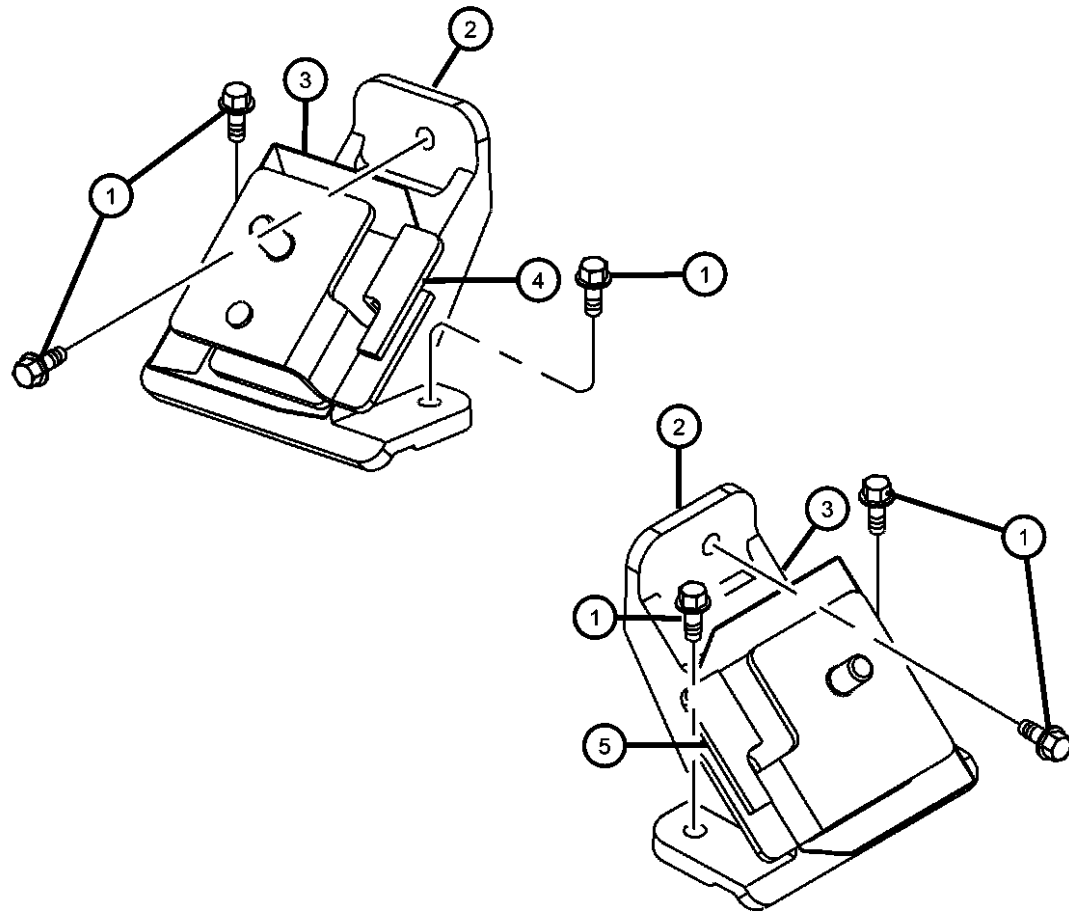
<p>009-100 Engine Mounting</p> 			
--	--	--	--

**Engine Mounting
Figure 9-110**

ITEM	PART NUMBER	QTY	LINE	SERIES	BODY	ENGINE	TRANS	TRIM	DESCRIPTION
------	-------------	-----	------	--------	------	--------	-------	------	-------------

NOTE: Sales Code
[EWC] = 8.3L V10 SFI Engine

1	06035558	6				EWC			SCREW, Hex Flange Head, .375-16x1.50
2									BRACKET, Isolator
	05037298AA	1				EWC			Right
		1				EWC			Left
3	04643546	1				EWC			SHIELD, HeatRight & Left
4	04642617AB	1				EWC			INSULATOR, Engine MountLeft
5	04643530AB	1				EWC			INSULATOR, Engine MountRight
-6	06102067AA	2							BOLT, Engine Mount To Rail



VIPER (ZB)

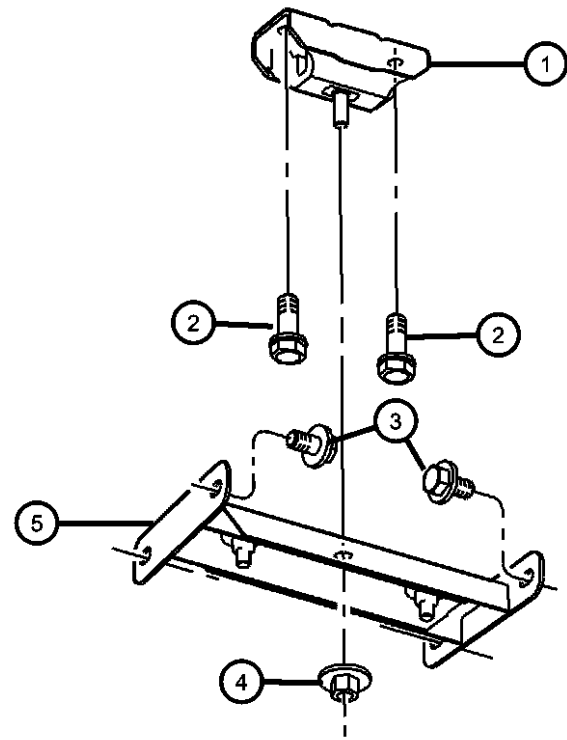
SERIES	LINE	BODY	ENGINE	TRANSMISSION
S = SRT-10	D = DODGE	27 = 2-DR CONVERTIBLE	EWC = Engine - 8.3L V10 SFI	DEC = 6-Speed Manual
X = Coupe		29 = SPECIALTY COUPE		DBB = All Manual Transmissions

AR = use ase required - = Non illustrated part

2003 ZB

Engine Mounting - Transmission
Figure 9-120

ITEM	PART NUMBER	QTY	LINE	SERIES	BODY	ENGINE	TRANS	TRIM	DESCRIPTION
1	04643318	1							MOUNT, Transmission
2	06501596	2							SCREW AND WASHER, Hex Head, M10x1.5x45
3	06101058	4							BOLT AND WASHER, Hex Head, M10x1.50x20
4	06101761	1							NUT, Coned Washer, M10 x 1.50
5	05037263AA	1							CROSSMEMBER, Transmission
-6	06035864	2							NUTEngine Isolator To Frame



VIPER (ZB)

SERIES

S = SRT-10

X = Coupe

LINE

D = DODGE

BODY

27 = 2-DR CONVERTIBLE

29 = SPECIALTY COUPE

ENGINE

EWC = Engine - 8.3L V10 SFI

TRANSMISSION

DEC = 6-Speed Manual

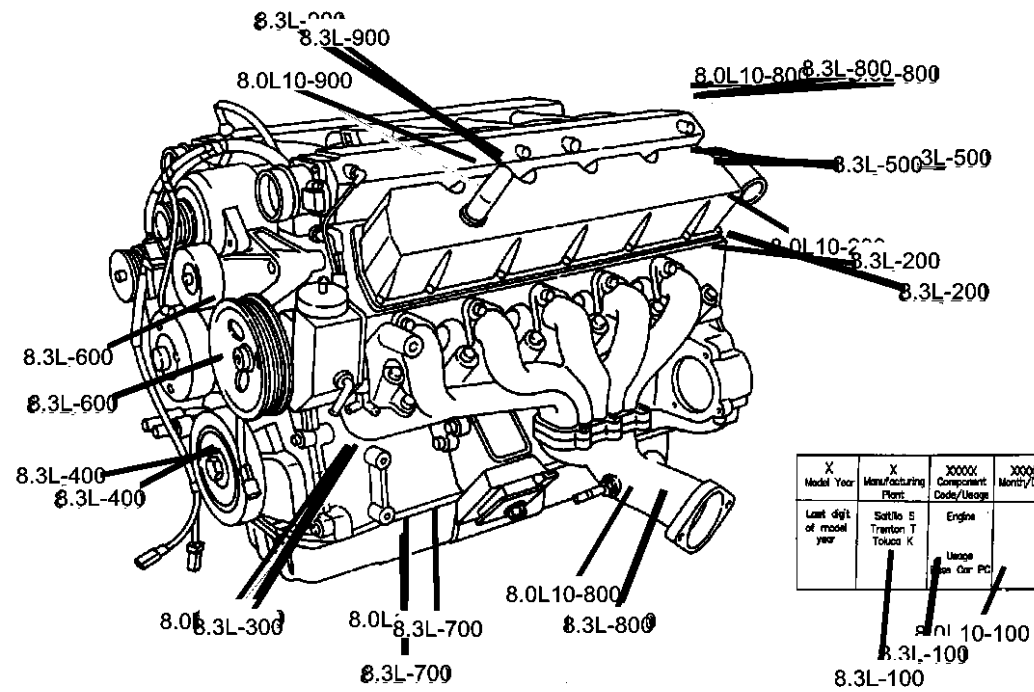
DBB = All Manual Transmissions

AR = use ase required - = Non illustrated part

2003 ZB

Group - 8.3L

Engine 8.3L Ten Cylinder [EWC]

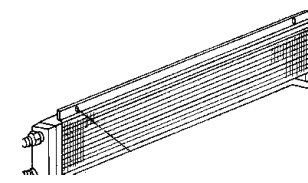


X Model Year	X Manufacturing Plant	XXXXX Component Code/Usage	XXXX Month/Day	XXXXXXXXX Serial Code
Last digit of model year	Satiko S Tranton T Tokuo K	Engine 3.3L - 3.8L Usage Pass Car PC Truck T		Last 8 Digits of VIN

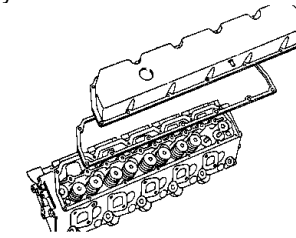
8.3L-100 Engine Identification

X Model Year	X Manufacturing Plant	XXXXX Component Code/Usage	XXXX Month/Day	XXXXXXXXX Serial Code
Last digit of model year	Satiko S Tranton T Tokuo K	Engine 3.3L - 3.8L Usage Pass Car PC Truck T		Last 8 Digits of VIN

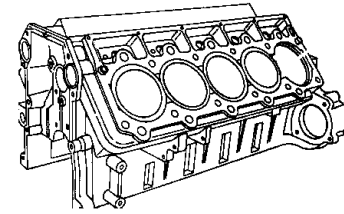
8.3L-1100 Oil Cooler



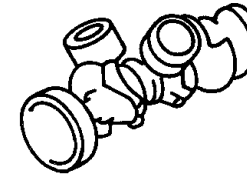
8.3L-200 Cylinder Head



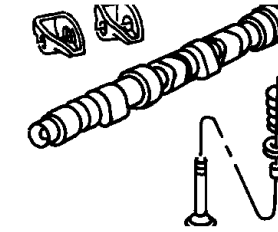
8.3L-300 Cylinder Block



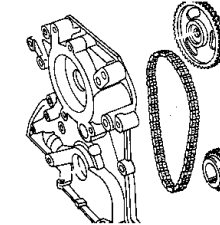
8.3L-400 Crankshaft, Piston and Torque Converter



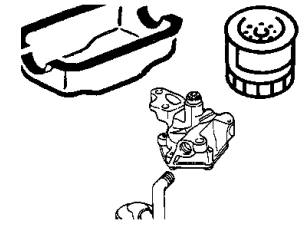
8.3L-500 Camshafts & Valves



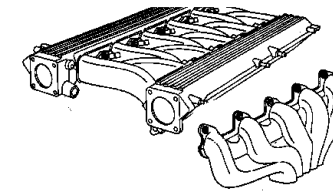
8.3L-600 Timing Belt and Cover



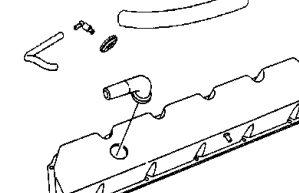
8.3L-700 Engine Oiling



8.3L-800 Manifolds



8.3L-900 Crankcase Ventilation



Group - 8.3L Engine 8.3L Ten Cylinder [EWC]

Illustration Title	Group-Fig. No.
Engine Identification	
I.D. Location [EWC]	Fig. 8.3L - 110
Cylinder Head	
Cylinder Head and Covers [EWC]	Fig. 8.3L - 210
Cylinder Block	
Block, Cylinder [EWC]	Fig. 8.3L - 310
Crankshaft, Piston and Torque Converter	
Crankshaft and Pistons [EWC]	Fig. 8.3L - 410
Camshafts & Valves	
Camshafts and Valves [EWC]	Fig. 8.3L - 510
Timing Belt and Cover	
Timing Belt and Cover [EWC]	Fig. 8.3L - 610
Engine Oiling	
Engine Oiling [EWC]	Fig. 8.3L - 710
Manifolds	
Manifolds, Intake and Exhaust [EWC]	Fig. 8.3L - 810
Crankcase Ventilation	
Crankcase Ventilation [EWC]	Fig. 8.3L - 910
Oil Cooler	
Oil Cooler [EWC]	Fig. 8.3L - 1110

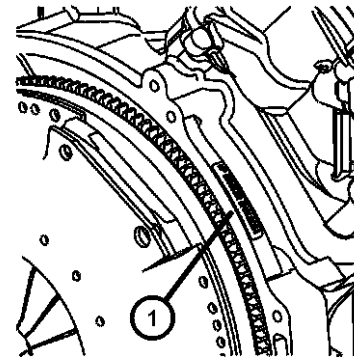
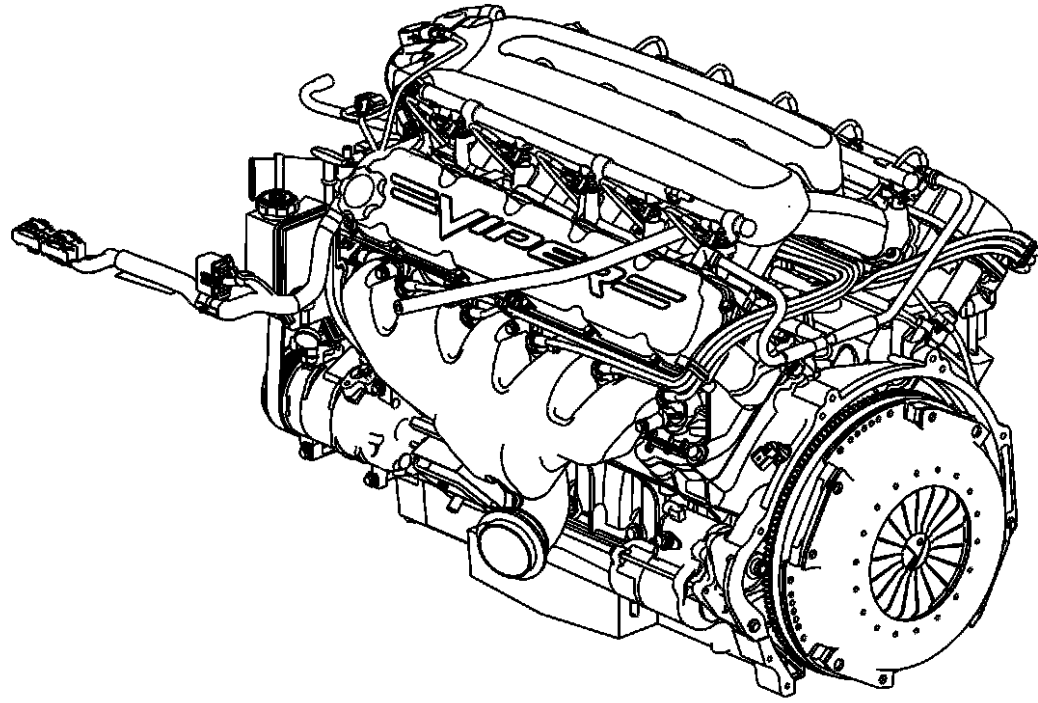
I.D. Location [EWC]
Figure 8.3L-110

ITEM	PART NUMBER	QTY	LINE	SERIES	BODY	ENGINE	TRANS	TRIM	DESCRIPTION
------	-------------	-----	------	--------	------	--------	-------	------	-------------

Engine ID is located on the left bank at the rear of the block just below the head
NOTE: Sales Code
[EWC] = 8.3L V10 SFI Engine

1	06035864	2							
---	----------	---	--	--	--	--	--	--	--

LABEL, Engine Identification, (NOT SERVICED)



VIPER (ZB)

SERIES
S = SRT-10
X = Coupe

LINE
D = DODGE

BODY
27 = 2-DR CONVERTIBLE
29 = SPECIALTY COUPE

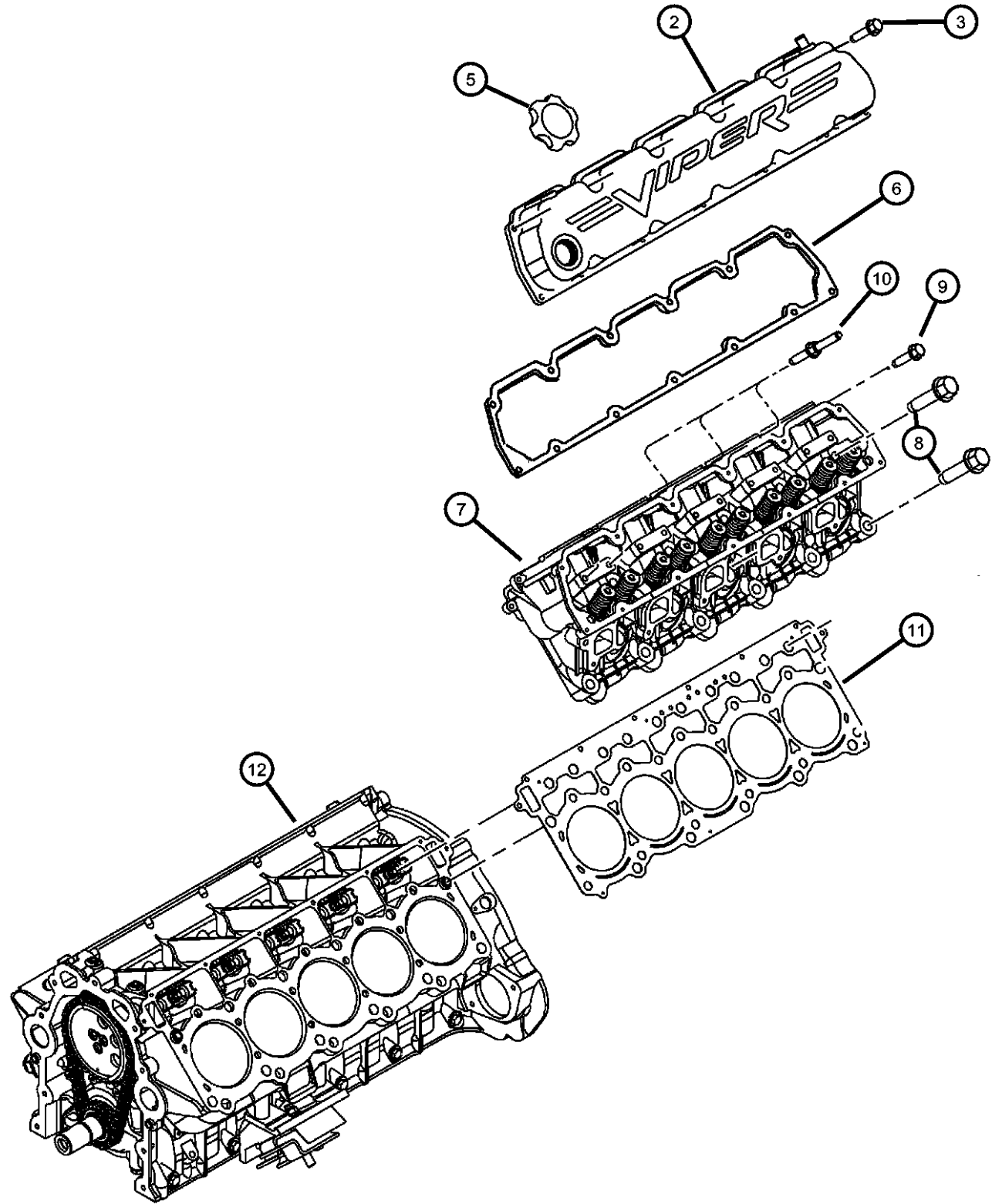
ENGINE
EWC = Engine - 8.3L V10 SFI

TRANSMISSION
DEC = 6-Speed Manual
DBB = All Manual Transmissions

AR = use ase required - = Non illustrated part

2003 ZB

**Cylinder Head and Covers [EWC]
Figure 8.3L-210**



ITEM	PART NUMBER	QTY	LINE	SERIES	BODY	ENGINE	TRANS	TRIM	DESCRIPTION
NOTE: Sales Code: [EWC] = 8.3L V10 SFI Engine									
-1	05086534AA	1				EWC			GASKET PACKAGE, Engine Upper, Note: Package Includes, Cylinder Head Gasket, Valve Cover Gasket, Intake & Exhaust Manifold Gasket, Throttle Body Gasket & Thermostat Gasket., One Package Will Do One Cylinder Head COVER, Cylinder Head
2	05037155AB	1				EWC			Left
	05037156AB	1				EWC			Right
3	06035666	16				EWC			SCREW, Hex Flange Head, .25-20x1.00
-4	06036519AA	8				EWC			STUD, Double Ended, Cylinder Cover & Spark Plug Wire Mounting
5	04648832AA	1				EWC			CAP, Oil Filler
6	05037157AA	1				EWC			GASKET, Valve Cover
7	05037064AC	2				EWC			HEAD, Cylinder
8	06035471	24				EWC			BOLT, Cylinder Head
9	06035666	12				EWC			SCREW, Hex Flange Head, .25-20x1.00, Head Tappet Gallery
10	06036066AA	6				EWC			STUD, Exhaust Manifold Mounting
11	04763749	2				EWC			GASKET, Cylinder Head
12	04763749	2				EWC			BLOCK, Engine Cylinder, See Illustration 310, (NOT SERVICED)

VIPER (ZB)

SERIES	LINE	BODY	ENGINE	TRANSMISSION
S = SRT-10	D = DODGE	27 = 2-DR CONVERTIBLE	EWC = Engine - 8.3L V10 SFI	DEC = 6-Speed Manual
X = Coupe		29 = SPECIALTY COUPE		DBB = All Manual Transmissions

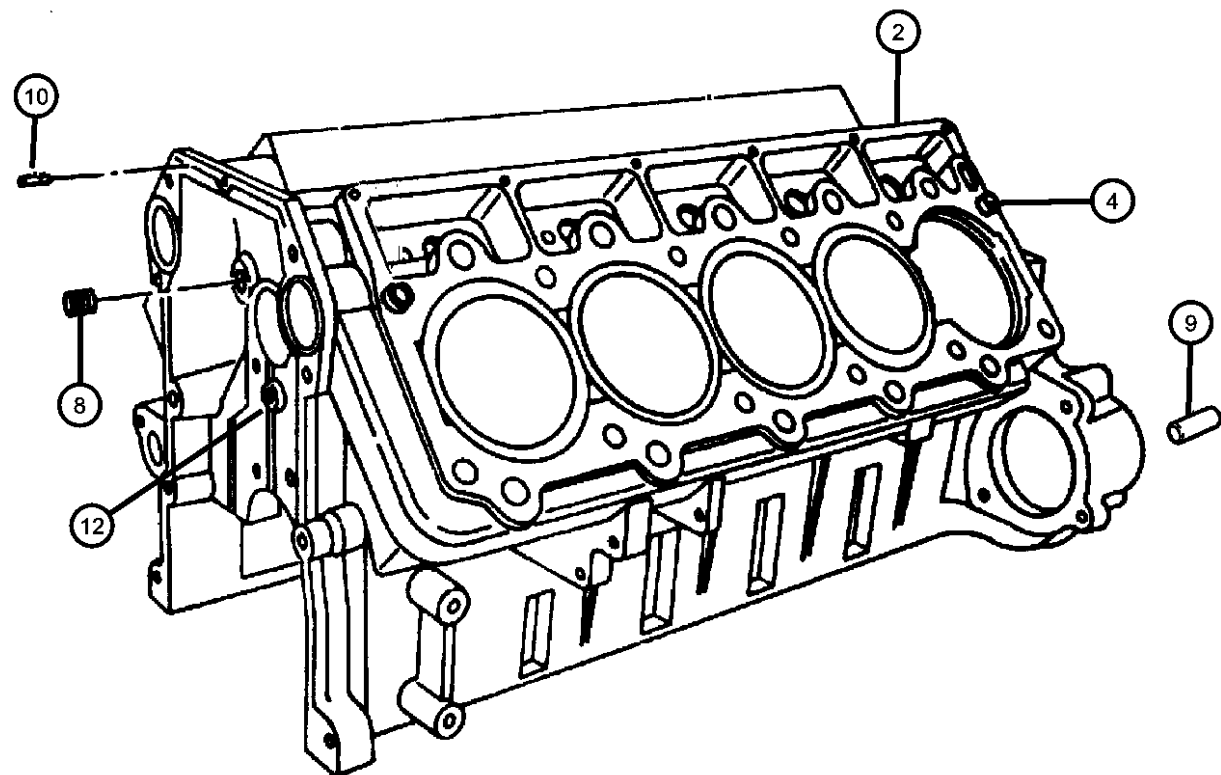
AR = use ase required - = Non illustrated part

**Block, Cylinder [EWC]
Figure 8.3L-310**

ITEM	PART NUMBER	QTY	LINE	SERIES	BODY	ENGINE	TRANS	TRIM	DESCRIPTION
------	-------------	-----	------	--------	------	--------	-------	------	-------------

NOTE: Sales Code
[EWC] = 8.3L V10 SFI Engine

-1	05086535AC	1				EWC			GASKET PACKAGE, Engine Lower
2	05086535AC	1							BLOCK, Cylinder, (NOT SERVICED)
-3	05102003AA	1				EWC			BLOCK, Short
4	J4005149	4				EWC			DOWEL, Oil Pump
-5	05245055	2				EWC			DOWEL, Front Cover
-6	05245058	4				EWC			DOWEL, Rear Oil Seal Retainer
-7	06036308AA	10				EWC			PLUG, Cylinder Block Gallery
8	06034166	8				EWC			PLUG, Cylinder Block Oil Hole
9	04429678	2				EWC			PIN, Dowel
10	06035469	8				EWC			STUD, .562-12x5.670
-11									BOLT, Bearing Cap
	06035470	12				EWC			[.375-16X2.25]
	06035665	4				EWC			[.500-13X4.25]
12	04663941	2				EWC			PLUG, Core, 1.00 Diameter

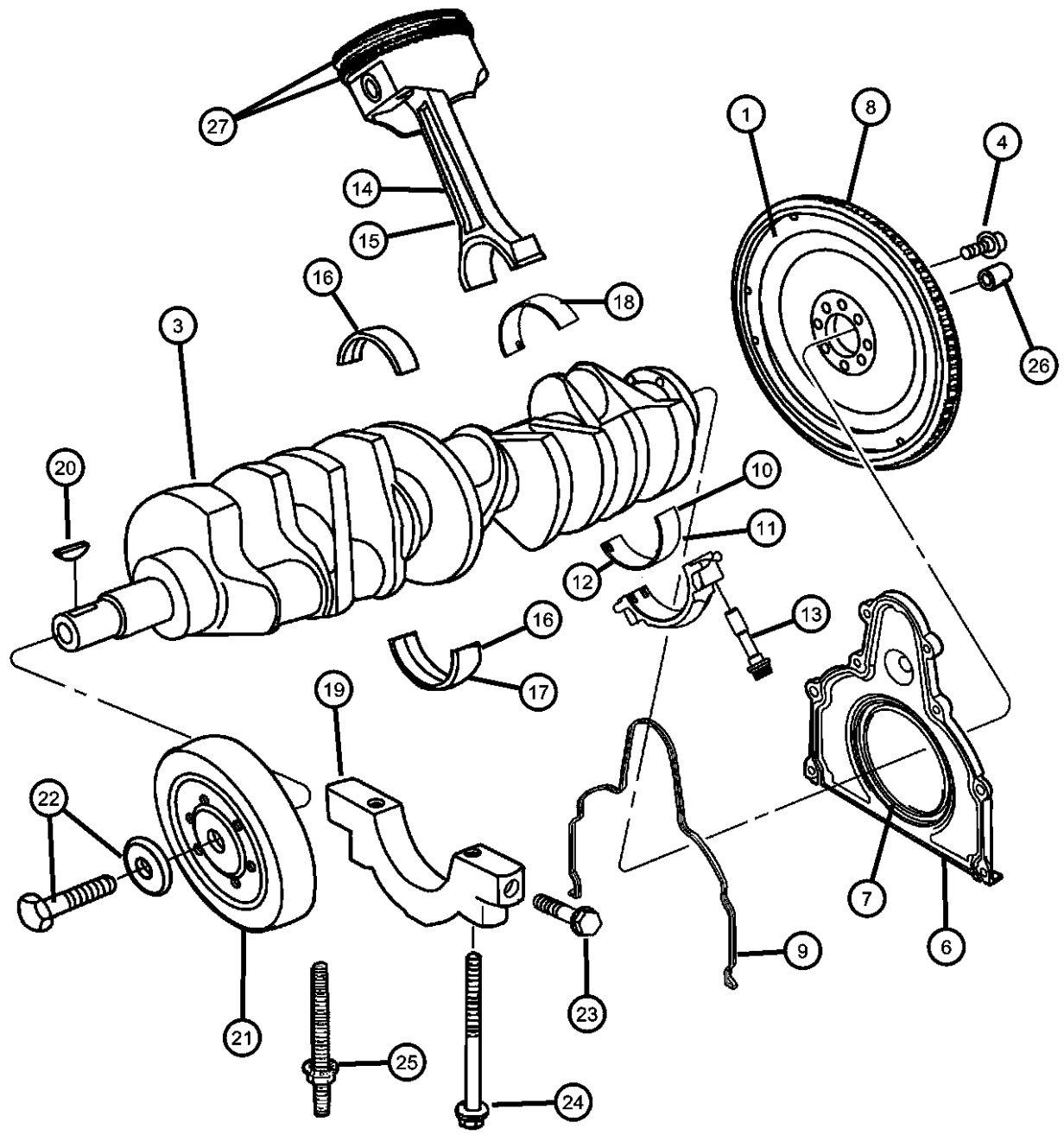


VIPER (ZB)

SERIES	LINE	BODY	ENGINE	TRANSMISSION
S = SRT-10	D = DODGE	27 = 2-DR CONVERTIBLE	EWC = Engine - 8.3L V10 SFI	DEC = 6-Speed Manual
X = Coupe		29 = SPECIALTY COUPE		DBB = All Manual Transmissions

AR = use ase required - = Non illustrated part

Crankshaft and Pistons [EWC] Figure 8.3L-410



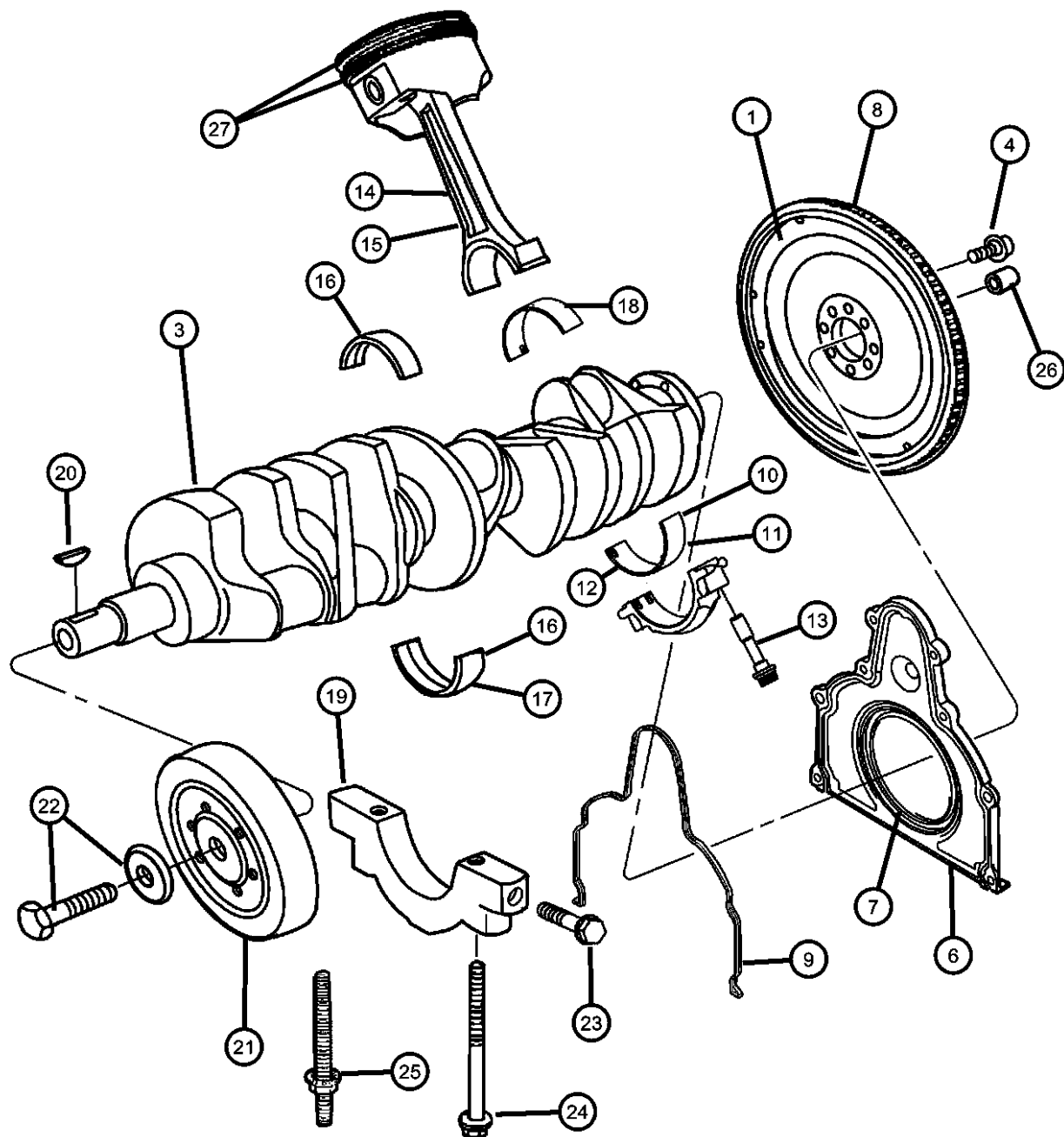
ITEM	PART NUMBER	QTY	LINE	SERIES	BODY	ENGINE	TRANS	TRIM	DESCRIPTION
NOTE: Sales Code: [EWC] = 8.3L V10 SFI Engine									
1	05037226AB	1				EWC			FLYWHEEL
-2	02843214	1				EWC			GEAR, Flywheel Ring
3	05037050AB	1				EWC			CRANKSHAFT
4	06035811	8				EWC			BOLT, Hex Head, .437-20x1.50
-5	06035666	8				EWC			SCREW, Hex Flange Head, .25-20x1.00
6	05037053AB	1				EWC			RETAINER, Crankshaft Rear Oil Seal
7	05037300AA	1				EWC			SEAL, Rear Main Crankshaft
8	04428037	1				EWC			GEAR, Ring
9	05037056AB	1				EWC			GASKET, Rear Oil Seal Retainer
10	05093018AA	10				EWC			BEARING, Connecting Rod, STD.
11	05093020AA	10				EWC			BEARING KIT, Connecting Rod, .025 mm U/S
12	05093019AA	10				EWC			BEARING KIT, Connecting Rod, .25 mm U/S
13	05093019AA	10							BOLT, Connecting Rod, Serviced in Piston,Pin,and Rod, (NOT SERVICED)
14									PISTON PIN AND ROD, STD
	05086573AA	5				EWC			With Bolts, Left
	05086574AA	5				EWC			With Bolts, Right
15									PISTON PIN AND ROD, .010" O/S
	05086575AA	5				EWC			With Bolts, Left
	05086576AA	5				EWC			With Bolts, Right
16									BEARING PACKAGE, Crankshaft, Main Bearing
	04883683AA	AR				EWC			[-.002 Inch Undersize +.030 Inch Outside Diameter]
	04883684AA	AR				EWC			[-.010 Inch Undersize +.030 Inch Outside Diameter]
	04883681AA	AR				EWC			Standard +.030 Inch Outside Diameter
	04883682AA	AR				EWC			[-.001 Inch Undersize +.030 Inch Outside Diameter]
17									BEARING PACKAGE, Crankshaft, Standard, Main Bearing
	04723536	AR				EWC			[1,2,4,5,6] Magenta standard
	04723538	AR				EWC			[1,2,4,5,6] White standard
	04723541	AR				EWC			[1,2,4,5,6] Orange standard
	04740292	1				EWC			[1,2,4,5,6] Black standard

VIPER (ZB)

SERIES	LINE	BODY	ENGINE	TRANSMISSION
S = SRT-10	D = DODGE	27 = 2-DR CONVERTIBLE	EWC = Engine - 8.3L V10 SFI	DEC = 6-Speed Manual
X = Coupe		29 = SPECIALTY COUPE		DBB = All Manual Transmissions

AR = use ase required - = Non illustrated part

**Crankshaft and Pistons [EWC]
Figure 8.3L-410**



ITEM	PART NUMBER	QTY	LINE	SERIES	BODY	ENGINE	TRANS	TRIM	DESCRIPTION
	04883374AA	1				EWC			[1,2,4,5,6] Yellow standard
18	04883685AA	1				EWC			BEARING PACKAGE, Crankshaft, Thrust Bearing
	04883686AA	1				EWC			Standard +.030 Inch Outside Diameter
	04883687AA	1				EWC			[-.001 Inch Undersize +.030 Inch Outside Diameter]
	04883688AA	1				EWC			[-.002 Inch Undersize +.030 Inch Outside Diameter]
	04883688AA	1				EWC			[-.010 Inch Undersize +.030 Inch Outside Diameter]
19	04883688AA	1							CAP, Serviced in Block, (NOT SERVICED),
20	06034749	1				EWC			KEY, Crankshaft Sprocket
21	05245110	1				EWC			DAMPER, Crankshaft
22	06036207AA	1				EWC			BOLT, Hex Head
23	06035470	12				EWC			BOLT, Bearing Cap
24	06035665	4				EWC			BOLT, Bearing Cap
25	06035469	8				EWC			STUD, .562-12x5.670
26	53009181AB	1				EWC			BEARING, Pilot
27	05086536AA	1				EWC			PISTON RING SET, COMPLETE ENGINE, STD.
-28	05086537AA	1				EWC			PISTON RING SET, COMPLETE ENGINE, .010" O/S
-29	05086538AA	1				EWC			PISTON RING SET, COMPLETE ENGINE, .020" O/S

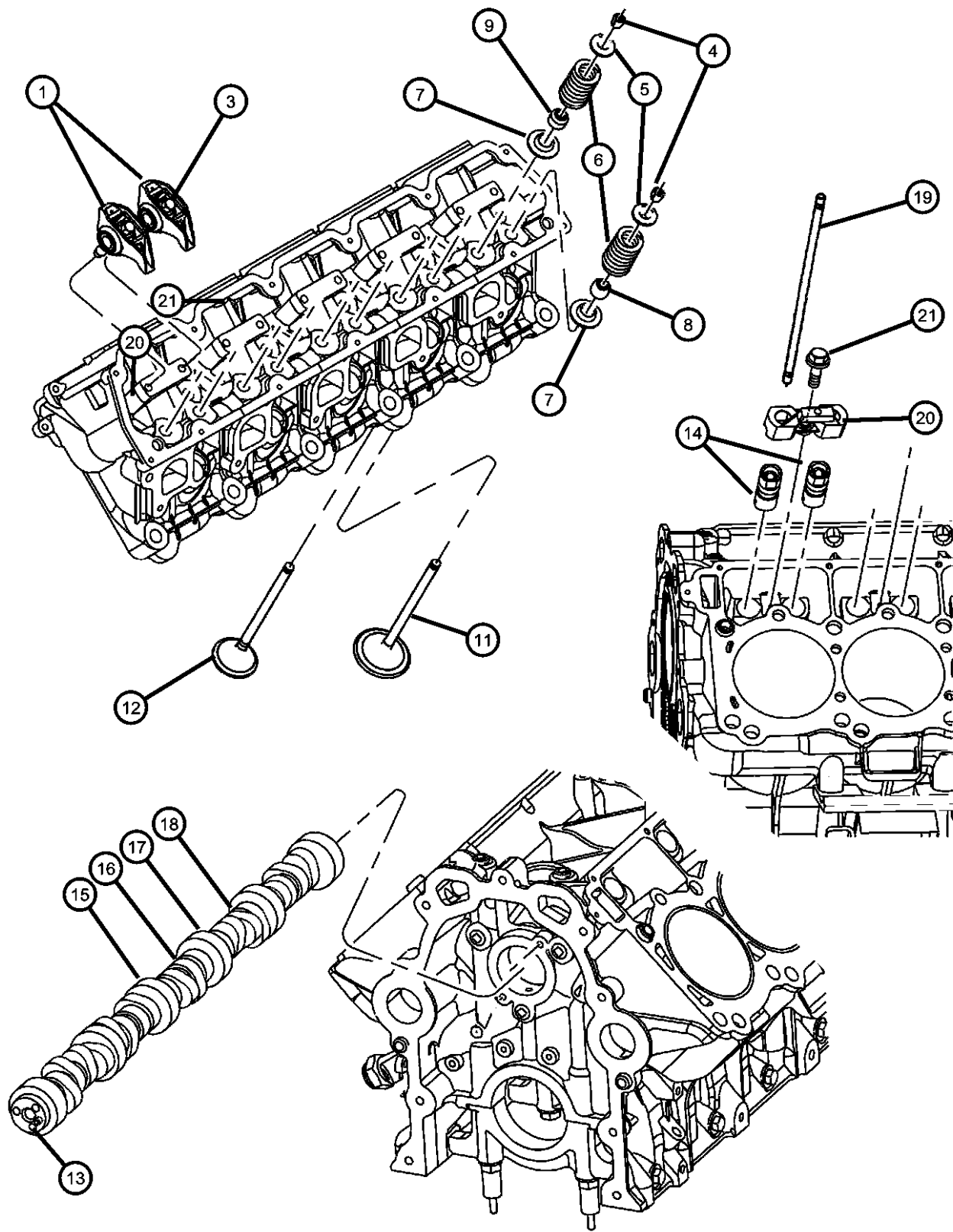
VIPER (ZB)

SERIES	LINE	BODY	ENGINE	TRANSMISSION
S = SRT-10	D = DODGE	27 = 2-DR CONVERTIBLE	EWC = Engine - 8.3L V10 SFI	DEC = 6-Speed Manual
X = Coupe		29 = SPECIALTY COUPE		DBB = All Manual Transmissions

AR = use ase required - = Non illustrated part

2003 ZB

**Camshafts and Valves [EWC]
Figure 8.3L-510**



ITEM	PART NUMBER	QTY	LINE	SERIES	BODY	ENGINE	TRANS	TRIM	DESCRIPTION
NOTE: Sales Code: [EWC] = 8.3L V10 SFI Engine									
1	05004026AA	20				EWC			ROCKER ARM, Valve
-2	05037242AA	10				EWC			PEDESTAL, Rocker Arm Shaft
3	06036425AA	20				EWC			SCREW
4	33003521	40				EWC			LOCK, Valve Spring Retainer
5	04483745	20				EWC			RETAINER, Valve Spring
6	05004032AA	20				EWC			SPRING, Valve
7	05004031AA	20				EWC			SEAT, Valve Spring
8	53009886	10				EWC			SEAL, Valve GuideIntake
9	53009887	10				EWC			SEAL, Valve GuideExhaust
-10	33003016	AR				EWC			SEAL, Valve Guide, .015" Oversize, Repair, [.015 Inch Oversize]
11	05037232AB	10				EWC			VALVE, Intake, Standard
12	04763748	10				EWC			VALVE, Exhaust, Standard
13	00141195	1				EWC			DOWEL, .25x.62
14	05004042AA	20				EWC			TAPPET, Hyd. Roller
15	05037057AA	1				EWC			CAMSHAFT, Engine
16	05093027AA	1				EWC			CAMSHAFT, Engine, .002" O/S Journal
17	05093028AA	1				EWC			CAMSHAFT, Engine, .003" O/S Journal
18	05093030AA	1				EWC			CAMSHAFT, Engine, .030" O/S Journal
19	05037069AA	20				EWC			PUSH ROD, Valve
20	05037068AA	10				EWC			YOKE, Tappet Aligning
21	00181065	10				EWC			BOLT, Hex Head, .25-20x1.00

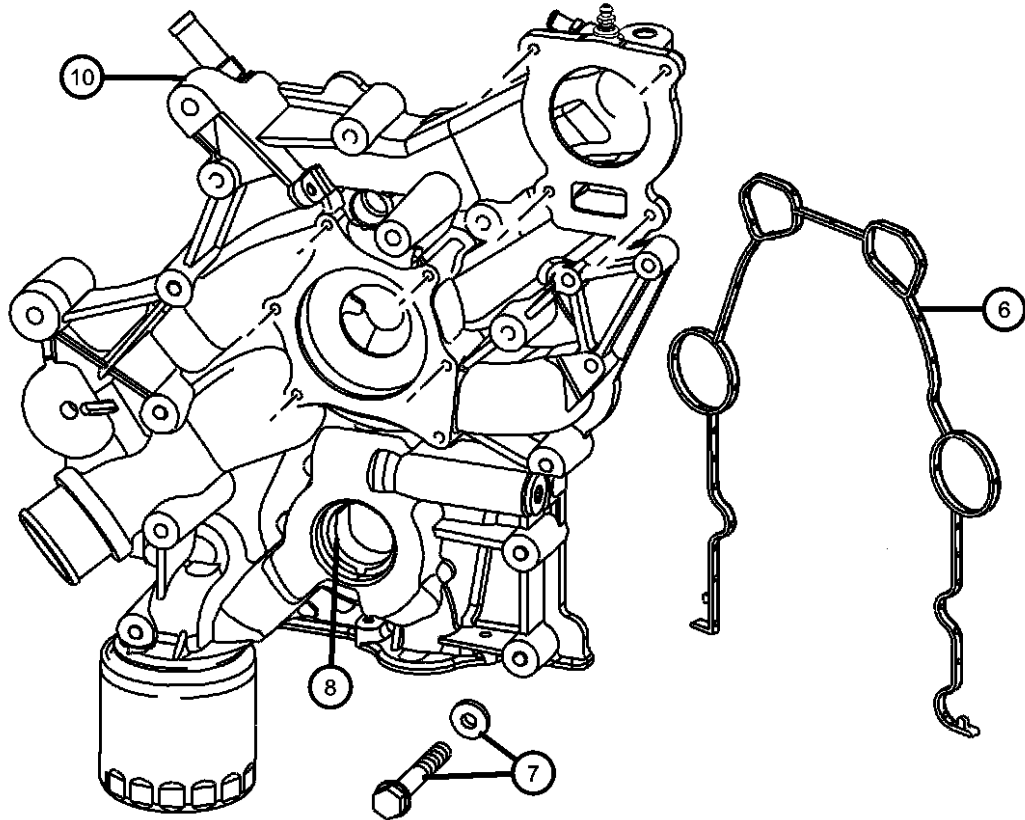
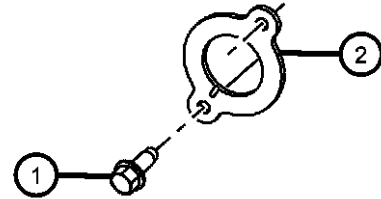
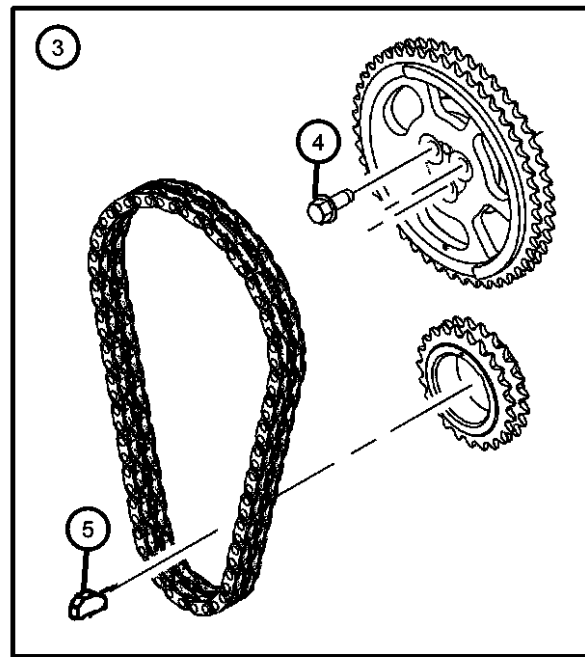
VIPER (ZB)

SERIES	LINE	BODY	ENGINE	TRANSMISSION
S = SRT-10	D = DODGE	27 = 2-DR CONVERTIBLE	EWC = Engine - 8.3L V10 SFI	DEC = 6-Speed Manual
X = Coupe		29 = SPECIALTY COUPE		DBB = All Manual Transmissions

AR = use ase required - = Non illustrated part

Timing Belt and Cover [EWC]
Figure 8.3L-610

ITEM	PART NUMBER	QTY	LINE	SERIES	BODY	ENGINE	TRANS	TRIM	DESCRIPTION
------	-------------	-----	------	--------	------	--------	-------	------	-------------



NOTE: Sales Code:

[EWC] = 8.3L V10 SFI Engine

1	00220800	2				EWC			SCREW, Hex Head, .312-18x.75
2	05245359	1				EWC			PLATE, Camshaft Thrust
3	05086533AA	1				EWC			CHAIN PACKAGE, Timing, Package contains: Chain and Gears
4	00154261	3				EWC			BOLT
5	06034749	1				EWC			KEY, Crankshaft Sprocket
6	05037067AC	1				EWC			GASKET, Chain Case Cover
7	00154934AA	3				EWC			SCREW AND WASHER
8	05245135	1				EWC			SEAL, Timing Case Cover
-9	06035666	8				EWC			SCREW, Hex Flange Head, .25-20x1.00
10	05037036AC	1				EWC			COVER, Timing Case
-11	06034248	8				EWC			BOLT, Chain Case Cover attaching
-12	06036427AA	2				EWC			BOLT, Chain Case Cover attaching

VIPER (ZB)

SERIES

S = SRT-10

X = Coupe

LINE

D = DODGE

BODY

27 = 2-DR CONVERTIBLE

29 = SPECIALTY COUPE

ENGINE

EWC = Engine - 8.3L V10 SFI

TRANSMISSION

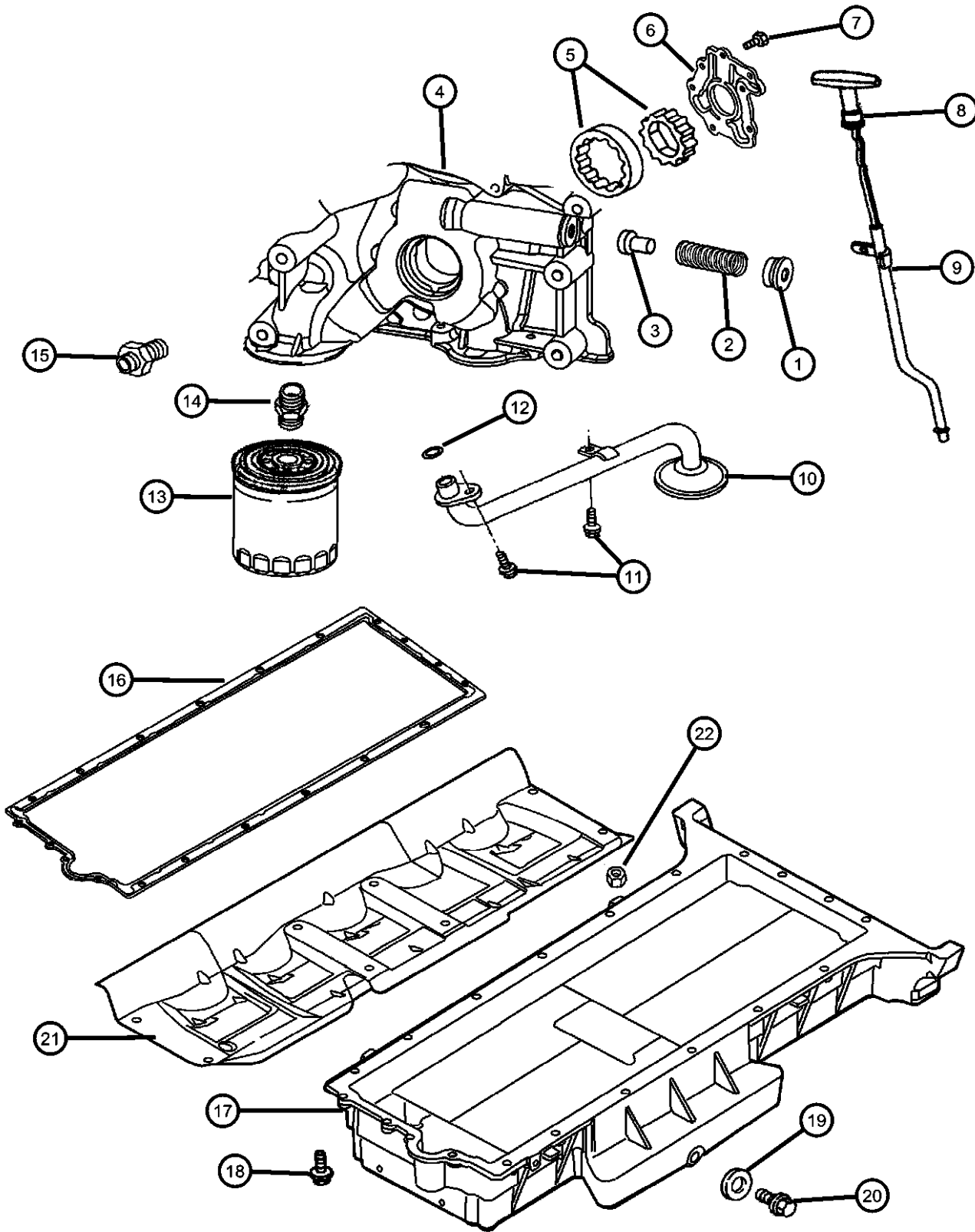
DEC = 6-Speed Manual

DBB = All Manual Transmissions

AR = use ase required - = Non illustrated part

2003 ZB

**Engine Oiling [EWC]
Figure 8.3L-710**



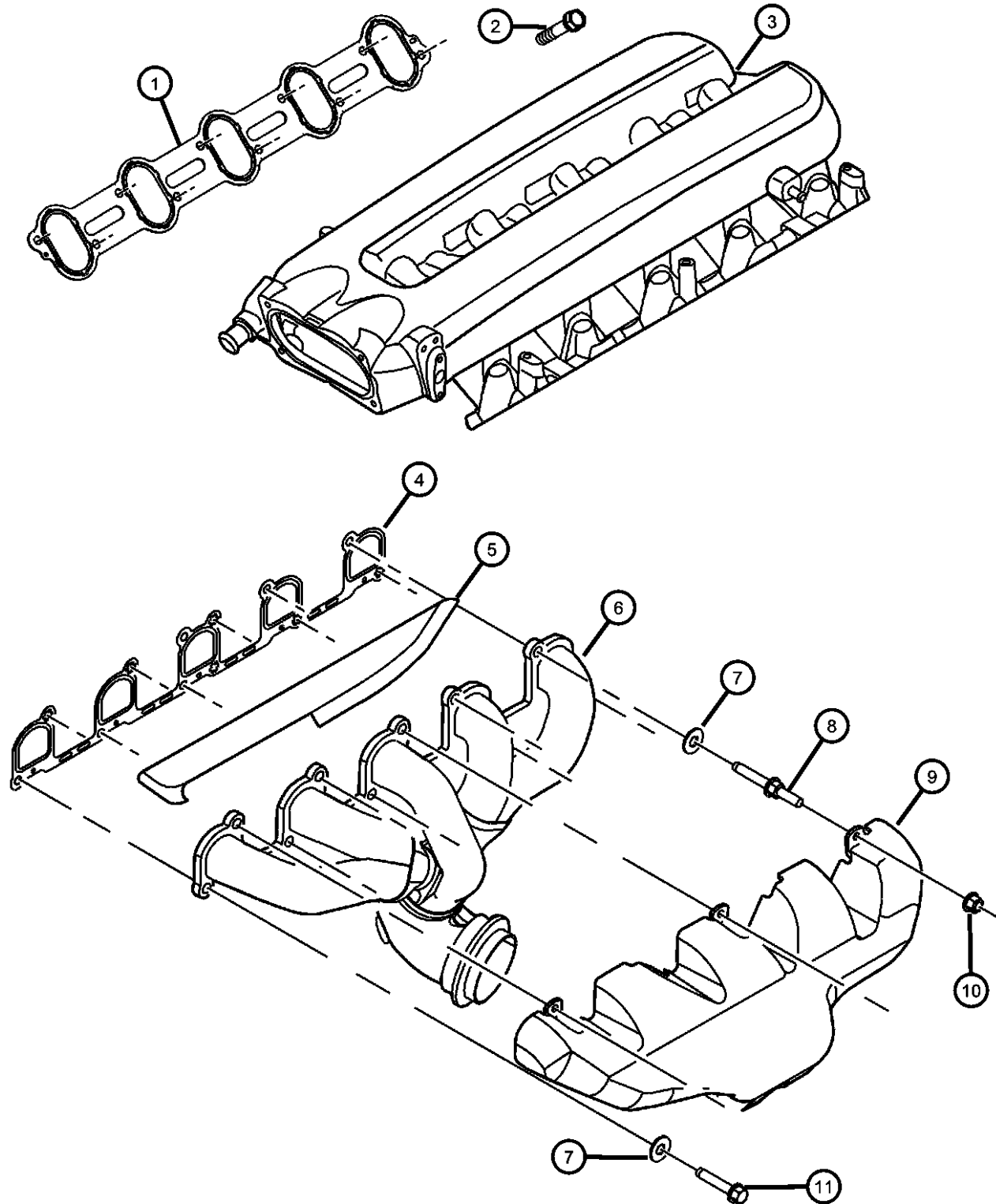
ITEM	PART NUMBER	QTY	LINE	SERIES	BODY	ENGINE	TRANS	TRIM	DESCRIPTION
NOTE: Sales Code [EWC] = 8.3L V10 SFI Engine									
1	05037047AA	1				EWC			CAP, Oil Pressure Relief Valve
2	05037046AB	1				EWC			SPRING, Oil Pressure Relief Valve
3	05037045AB	1				EWC			PLUNGER, Oil Pressure Relief Valve
4	05037036AC	1				EWC			COVER, Timing Case
5	05245525AC	1				EWC			ROTOR SET, Oil Pump
6	05037048AB	1				EWC			COVER, Engine Oil Pump
7	06034475	7				EWC			SCREW, Torx Head, .25-20x.75
8	05037214AC	1				EWC			INDICATOR, Engine Oil Level
9	05037215AC	1				EWC			TUBE, Engine Oil Indicator
10	05037312AD	1				EWC			PICKUP, Engine Oil
11	00154601	15				EWC			SCREW, Pan Head, .19-24x.5
12	06032920	1				EWC			SEAL, Oil Pick Up Tube
13	05037333AA	1				EWC			FILTER, Engine Oil
14	53007563	1				EWC			CONNECTOR, Oil Filter
15	05037316AB	1				EWC			CONNECTOR, Engine Oil Cooler
16	05037163AC	1				EWC			GASKET, Oil Pan
17	05037159AC	1				EWC			PAN, Engine Oil
18	06035666	16				EWC			SCREW, Hex Flange Head, .25-20x1.00
19	04763738	1				EWC			SEAL, Drain Plug
20	06035417	1				EWC			PLUG, Oil Drain
21	05037158AC	1				EWC			TRAY, Windage
22	J0120375	4							NUT, Hex, .250-20

VIPER (ZB)

SERIES	LINE	BODY	ENGINE	TRANSMISSION
S = SRT-10	D = DODGE	27 = 2-DR CONVERTIBLE	EWC = Engine - 8.3L V10 SFI	DEC = 6-Speed Manual
X = Coupe		29 = SPECIALTY COUPE		DBB = All Manual Transmissions

AR = use ase required - = Non illustrated part

**Manifolds, Intake and Exhaust [EWC]
Figure 8.3L-810**



ITEM	PART NUMBER	QTY	LINE	SERIES	BODY	ENGINE	TRANS	TRIM	DESCRIPTION
NOTE: Sales Code: [EWC] = 8.3L V10 SFI Engine									
1	05037217AA	2				EWC			GASKET, Intake Manifold
2	06036495AA	20				EWC			SCREW, Hex Flange Head, .25-20x1.00
3	05037192AC	1				EWC			MANIFOLD, Intake
4	05037195AA	2				EWC			GASKET, Exhaust Manifold
5	05037284AA	1				EWC			SHIELD, Exhaust Manifold, Inner, Left
6									MANIFOLD, Exhaust
	05037196AC	1				EWC			Right
	05037197AC	1				EWC			Left
7	06034595	20				EWC			WASHER, Coned, .340 x .750 x .180
8	06036066AA	6				EWC			STUD, [.312-18/.312-24X2.12]
9	05037245AA	1				EWC			SHIELD, Exhaust Manifold, Outer, Right
10	06034856	6				EWC			NUT AND WASHER, Hex Nut-E Teeth Washer, .312-24
11	00154881AA	14				EWC			BOLT, Hex Head

VIPER (ZB)

SERIES	LINE	BODY	ENGINE	TRANSMISSION
S = SRT-10	D = DODGE	27 = 2-DR CONVERTIBLE	EWC = Engine - 8.3L V10 SFI	DEC = 6-Speed Manual
X = Coupe		29 = SPECIALTY COUPE		DBB = All Manual Transmissions

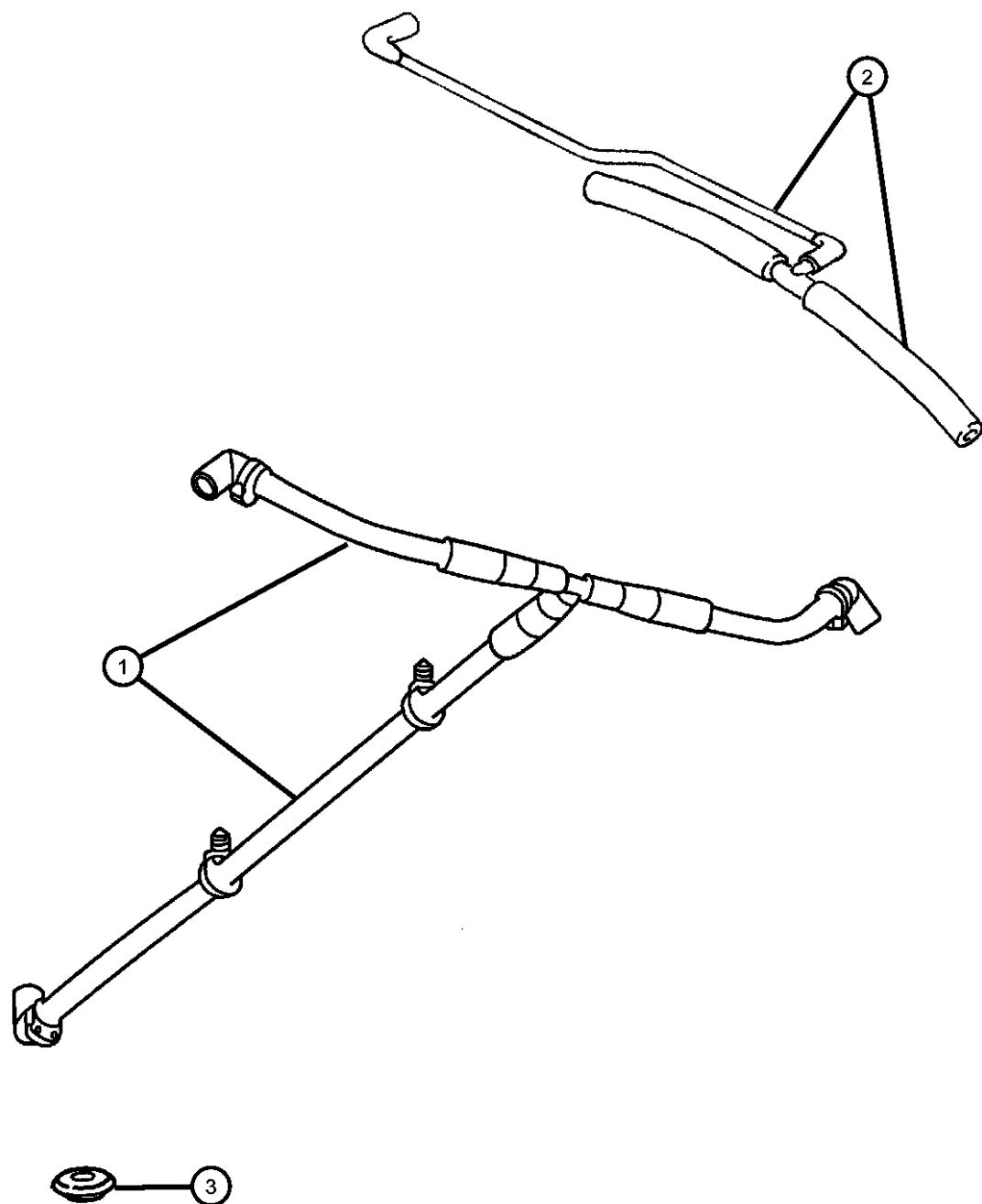
AR = use ase required - = Non illustrated part

**Crankcase Ventilation [EWC]
Figure 8.3L-910**

ITEM	PART NUMBER	QTY	LINE	SERIES	BODY	ENGINE	TRANS	TRIM	DESCRIPTION
------	-------------	-----	------	--------	------	--------	-------	------	-------------

NOTE: Sales Code:
[EWC] = 8.3L V10 SFI Engine

1	05037306AC	1				EWC			HARNES, PCV
2	05037308AC	1				EWC			HARNES, CCV To Air Cleaner
3	02946079	1				EWC			GROMMET, Crankcase Vent
-4	06033369	3				EWC			CLAMP, Hose, PCV Harness
-5									FILTER, Crankcase Vent
	05037336AA	1				EWC			Cylinder Head Cover
	53030254	1				EWC			



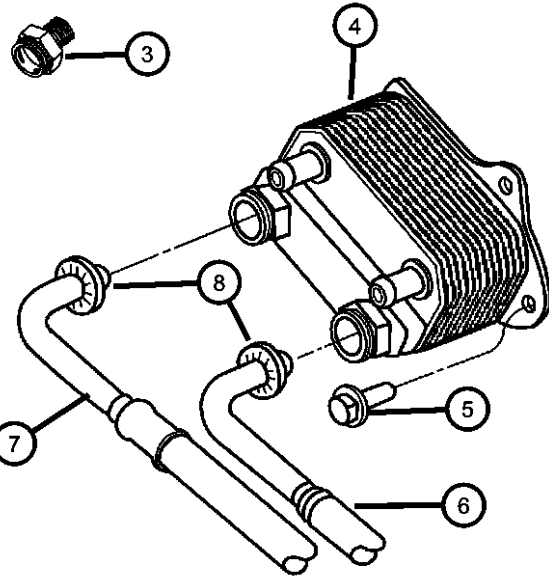
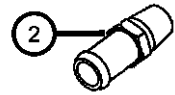
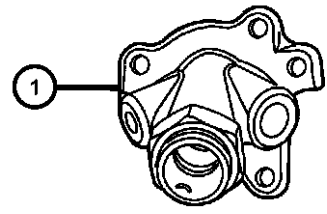
VIPER (ZB)

SERIES	LINE	BODY	ENGINE	TRANSMISSION
S = SRT-10	D = DODGE	27 = 2-DR CONVERTIBLE	EWC = Engine - 8.3L V10 SFI	DEC = 6-Speed Manual
X = Coupe		29 = SPECIALTY COUPE		DBB = All Manual Transmissions

AR = use ase required - = Non illustrated part

2003 ZB

Oil Cooler [EWC]
Figure 8.3L-1110



ITEM	PART NUMBER	QTY	LINE	SERIES	BODY	ENGINE	TRANS	TRIM	DESCRIPTION
1	05037249AB	1				EWC			ADAPTER, Oil Cooler
2	06035854	2				EWC			FITTING, Y-Style
3	05037316AC	2							CONNECTOR, Engine Oil Cooler
4	05290014AA	1							COOLER, Engine Oil
5	06101718	3							SCREW AND WASHER, Oval Head, M6x1x25
6	05290004AA	1							LINE, Oil Cooler Inlet
7	05290001AA	1							LINE, Oil Cooler Outlet
8	05290001AA	1							COVER, Dust -Purchased in Line Assy., (NOT SERVICED)
-9	05037039AA	1				EWC			GASKET, Oil Cooler

VIPER (ZB)

SERIES
S = SRT-10
X = Coupe

LINE
D = DODGE

BODY
27 = 2-DR CONVERTIBLE
29 = SPECIALTY COUPE

ENGINE
EWC = Engine - 8.3L V10 SFI

TRANSMISSION
DEC = 6-Speed Manual
DBB = All Manual Transmissions

AR = use ase required - = Non illustrated part

2003 ZB

Group - 11

Exhaust

Group - 11 Exhaust

Illustration Title

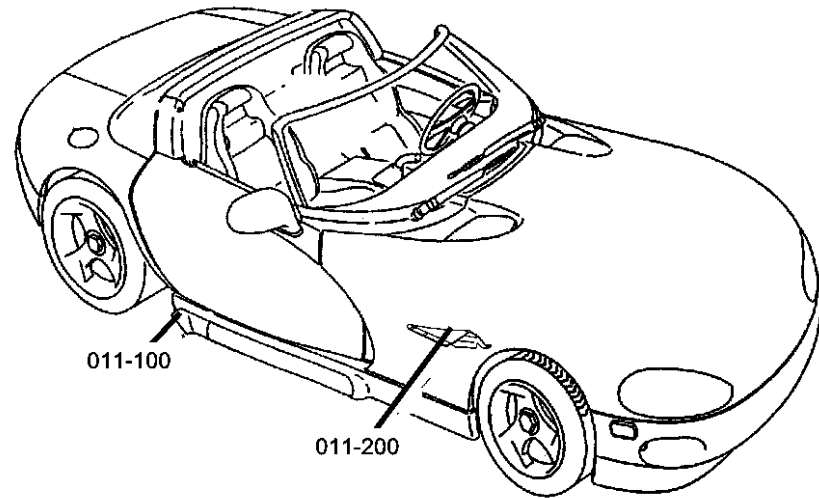
Group-Fig. No.

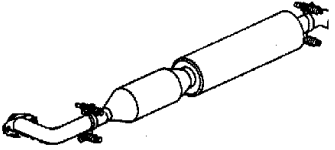
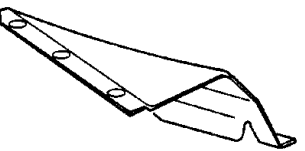
Exhaust System

Exhaust System Fig. 11 - 110

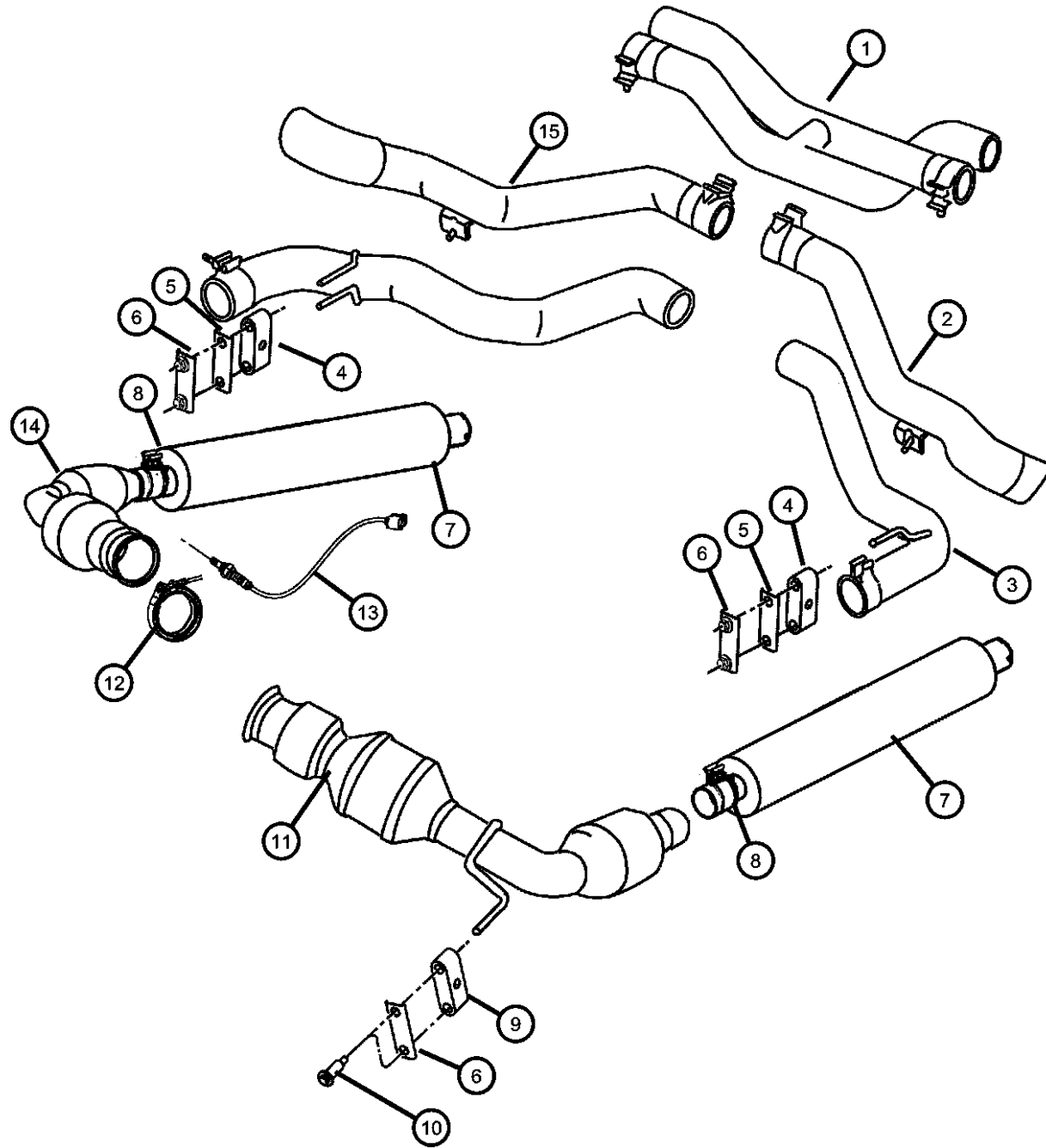
Heat Shields

Heat Shield Fig. 11 - 210



<p>011-100 Exhaust System</p> 	<p>011-200 Heat Shields</p> 		
---	--	--	--

Exhaust System
Figure 11-110



ITEM	PART NUMBER	QTY	LINE	SERIES	BODY	ENGINE	TRANS	TRIM	DESCRIPTION
1	05290211AC	1							PIPE, Exhaust
2	05290179AB	1							SPOUT, ExhaustLeft
3	05290212AA	1							PIPE, Exhaust
4	04763667AC	2							ISOLATOR, Exhaust
5	04763667AC	2							NUT PLATE, Exhaust, (NOT SERVICED)
6	05290154AB	4			27				SUPPORT, Exhaust Isolator
7	05290387AB	2							RESONATOR, ExhaustLeft
8	04848935AA	2			27				CLAMP, Exhaust, [2.5 Inch]
9	05290265AA	2			27				ISOLATOR, Exhaust, Dual Hanger Rod
10	05290265AA	2							SCREW, (NOT SERVICED)
11	05264999AC	1			27				CONVERTER, CatalyticLeft
12	05290111AA	2							CLAMP, Exhaust Manifold
13	56041706AA	2				EWC			SENSOR, Oxygen
14	05264998AB	1							CONVERTER, CatalyticRight
15	05290178AD	1							SPOUT, ExhaustRight

VIPER (ZB)

SERIES
S = SRT-10
X = Coupe

LINE
D = DODGE

BODY
27 = 2-DR CONVERTIBLE
29 = SPECIALTY COUPE

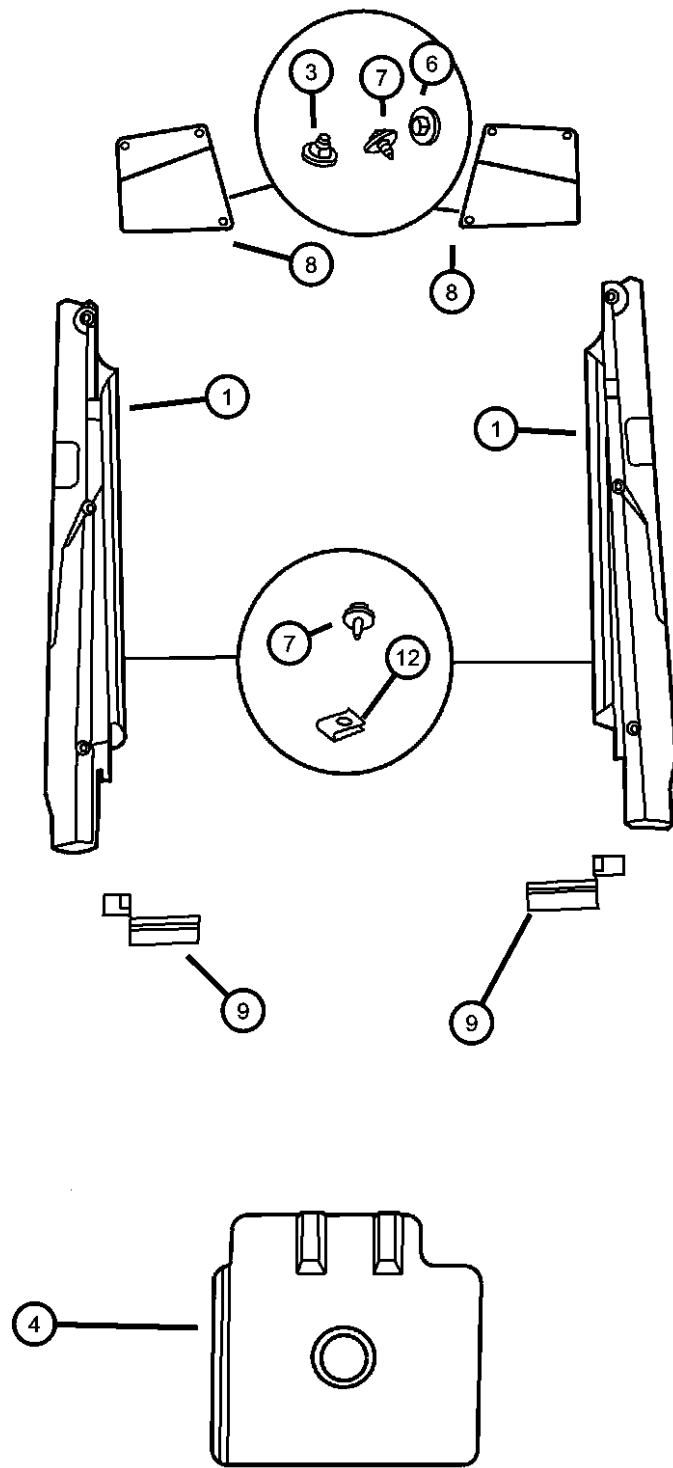
ENGINE
EWC = Engine - 8.3L V10 SFI

TRANSMISSION
DEC = 6-Speed Manual
DBB = All Manual Transmissions

AR = use ase required - = Non illustrated part

2003 ZB

Heat Shield
Figure 11-210



ITEM	PART NUMBER	QTY	LINE	SERIES	BODY	ENGINE	TRANS	TRIM	DESCRIPTION
1	05290160AB	1							SHIELD, Heat Sill Inner, Right
	05290161AB	1							Sill Inner, Left
-2									SHIELD, Heat
	05290324AA	1			27				Repair 8 Inch x 20 Inch, Right
	05290325AA	1			27				Repair 8 Inch x 20 Inch, Left
3	05290325AA	1							NUT, M8, (NOT SERVICED),
4	05290088AB	1			27				SHIELD, Fuel Tank Heat
-5	05290256AA	1			27				SHIELD, Fuel Tank HeatFront
6	05290256AA	1							NUT, Hex, .250-20, (NOT SERVICED)
7	05290256AA	1							SCREW, Hex Head, [.190-16X.500], (NOT SERVICED)
8									SHIELD, Heat
	05290148AC	1			27				Torque Box, Right
	05290149AC	1			27				Torque Box, Left
9									SHIELD, Heat
	05290230AB	1			27				Right
	05290231AB	1			27				Left
-10	05290328AA	2			27				SHIELD, Heat, B Pillar Isolator
-11	05290328AA	2							STUD, Collared, .25-14/.25-20x2.88, Shield to Frame, (NOT SERVICED)
12	00152493	4							NUT, U nut 1" thread size, Heat Shield to rear Belly Pan
-13	05290364AA	2			27				SHIELD, Heat, A Pillar Isolator
-14	05290273AA	1			27				SHIELD, Heat

VIPER (ZB)

SERIES
S = SRT-10
X = Coupe

LINE
D = DODGE

BODY
27 = 2-DR CONVERTIBLE
29 = SPECIALTY COUPE

ENGINE
EWC = Engine - 8.3L V10 SFI

TRANSMISSION
DEC = 6-Speed Manual
DBB = All Manual Transmissions

AR = use ase required - = Non illustrated part

2003 ZB

Group - 13

Frames and Bumpers

Group - 13 Frames and Bumpers

Illustration Title

Group-Fig. No.

Frames

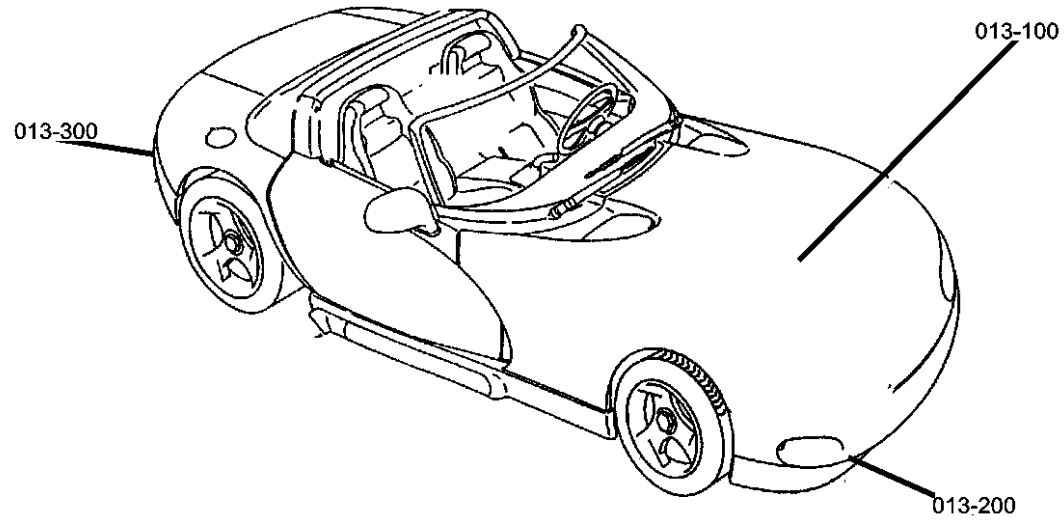
FrameFig. 13 - 110

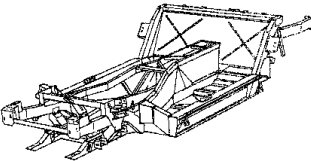
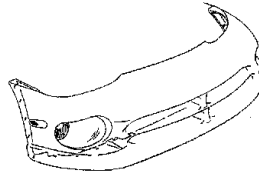

Front Bumper and Fascia

Fascia, Front.....Fig. 13 - 210

Rear Bumper and Fascia

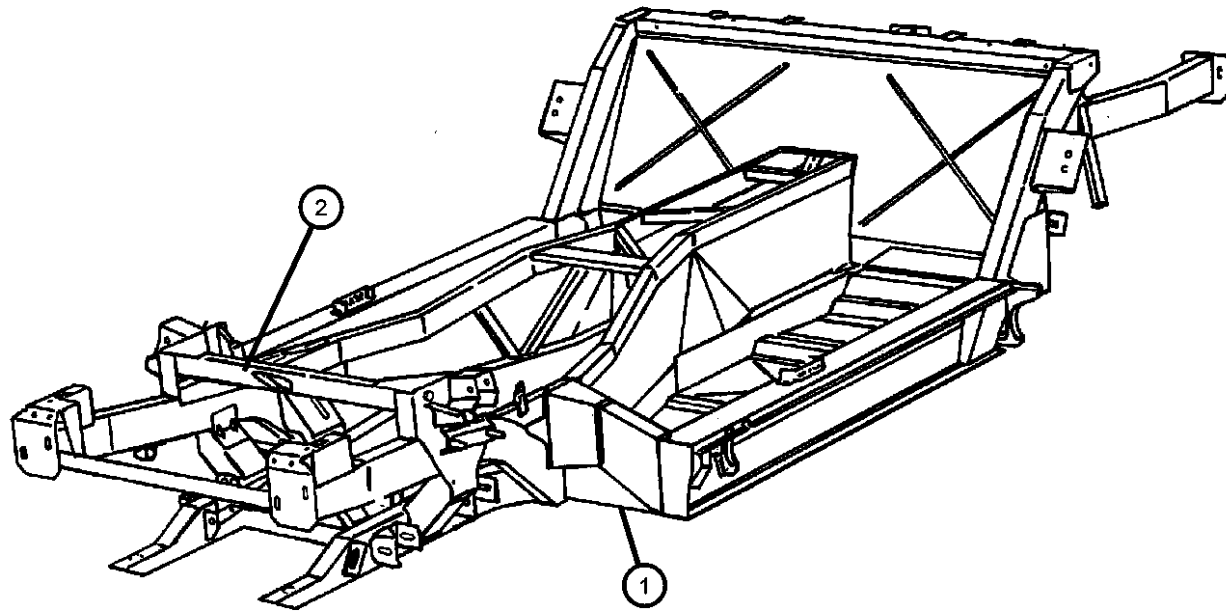
Fascia, RearFig. 13 - 310



<p>013-100 Frames</p> 	<p>013-200 Front Bumper and Fascia</p> 	<p>013-300 Rear Bumper and Fascia</p> 	
---	---	---	--

Frame
Figure 13-110

ITEM	PART NUMBER	QTY	LINE	SERIES	BODY	ENGINE	TRANS	TRIM	DESCRIPTION
1	04865494AB	1							FRAME
2	05290045AB	1							CROSSMEMBER, Front Frame
-3	05290047AA	12							SPACER, Crossmember
-4	06503571	4							SCREW AND WASHER, M10x1.50x35, Crossmember to Frame
-5	06507091AA	8				27			RIVNUT, Installation, Floor Pan to Frame Attach



VIPER (ZB)

SERIES

S = SRT-10
X = Coupe

LINE

D = DODGE

BODY

27 = 2-DR CONVERTIBLE
29 = SPECIALTY COUPE

ENGINE

EWC = Engine - 8.3L V10 SFI

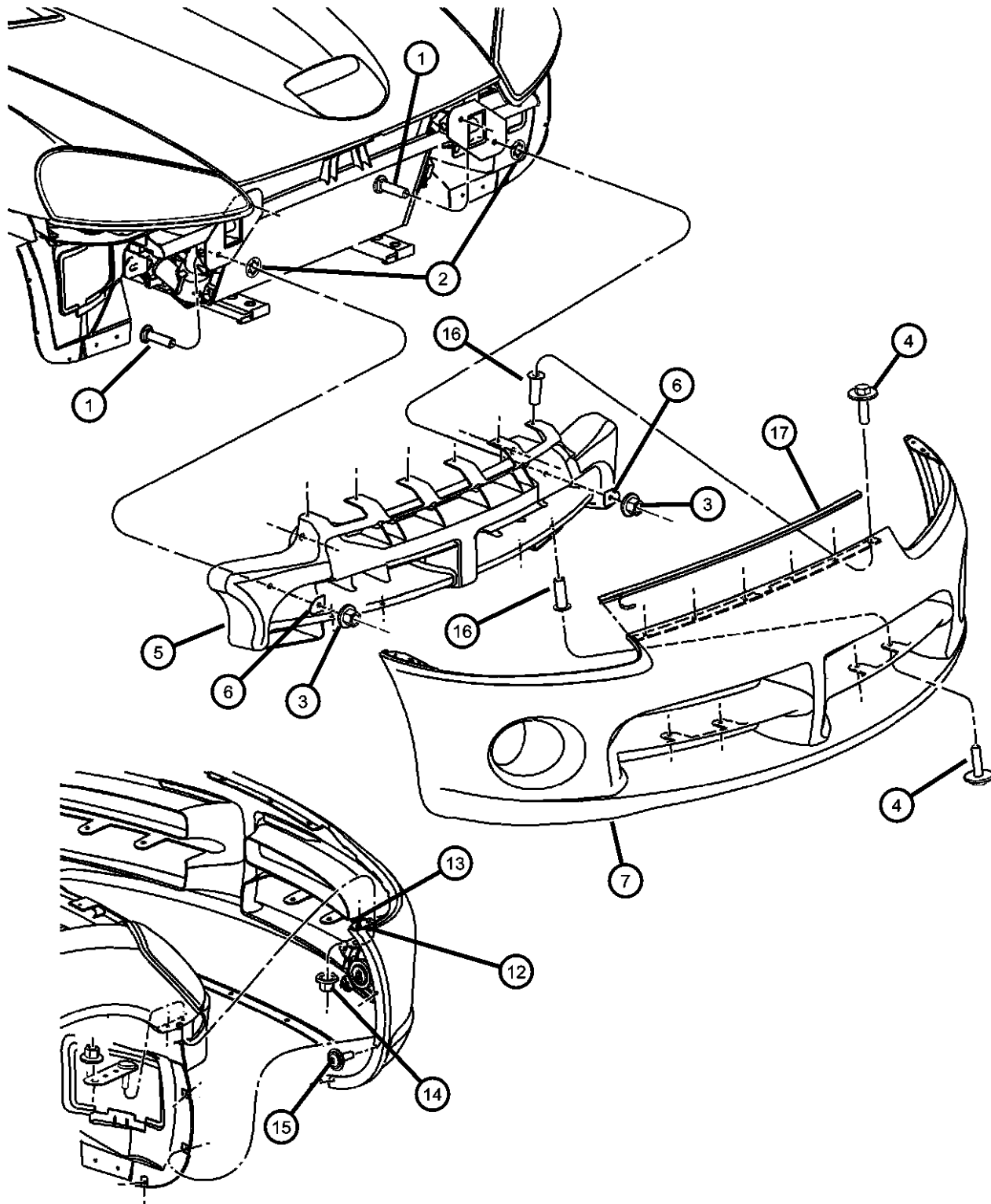
TRANSMISSION

DEC = 6-Speed Manual
DBB = All Manual Transmissions

AR = use ase required - = Non illustrated part

2003 ZB

Fascia, Front
Figure 13-210



ITEM	PART NUMBER	QTY	LINE	SERIES	BODY	ENGINE	TRANS	TRIM	DESCRIPTION
1	06507091AA	8							BOLT, M10x1.50x35, (NOT SERVICED)
2	06507091AA	8							NUT, M10, (NOT SERVICED)
3	06101448	4							NUT AND WASHER, Hex Nut-Coned Washer, M10 x 1.5
4	06102224AA	10							SCREW AND CONED WASHER, Hex Head, M5x0.80x20
5	04865643AA	1							BUMPER, Fascia, Front
6	05029208AA	4							REINFORCEMENT, Front Bumper
7	05029154AB	1			27				FASCIA, Front, Primed
-8	04865890AB	6			27				TAPPING PLATE, Fascia to Bumper
-9	05029222AA	1							FRAME, License Plate
-10	06502407	4							SCREW AND WASHER, Hex Head, M6x1x20, License Plate Mounting
-11	06023925	2			27				NUT, Plastic Snap-in
12	06100840	2							NUT, Spring
13	05029137AA	2							PLATE, Fender Attach
14	06504513	2							NUT AND WASHER, Hex Nut-Coned Washer, M6 x 1.00
15	06035625	6							SCREW
16	06507483AA	10							NUT/RIVET
17	05029234AA	1							SEAL

VIPER (ZB)

SERIES

S = SRT-10

X = Coupe

LINE

D = DODGE

BODY

27 = 2-DR CONVERTIBLE

29 = SPECIALTY COUPE

ENGINE

EWC = Engine - 8.3L V10 SFI

TRANSMISSION

DEC = 6-Speed Manual

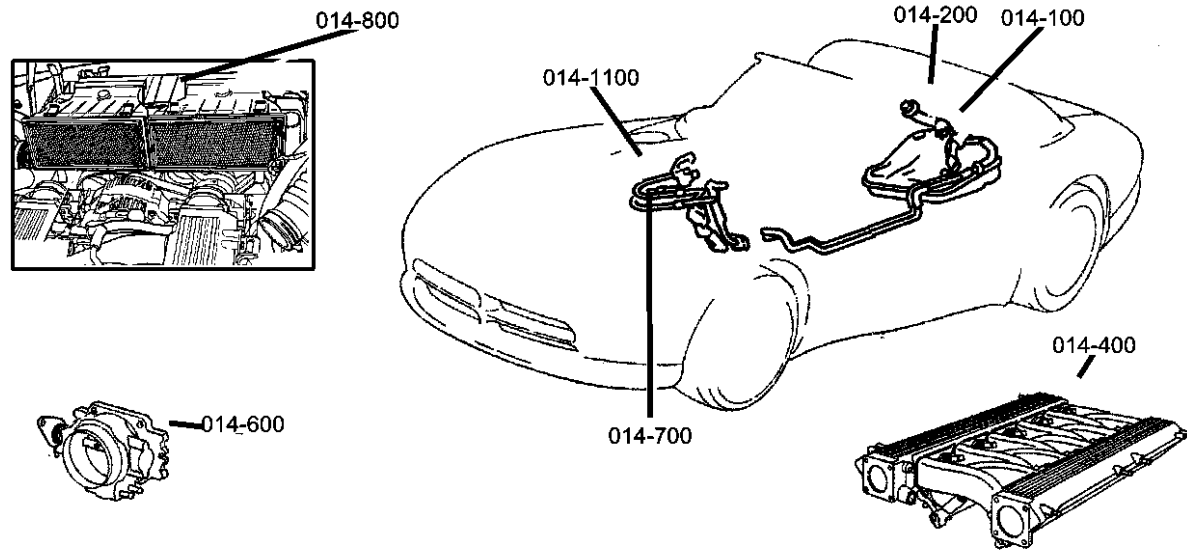
DBB = All Manual Transmissions

AR = use ase required - = Non illustrated part

2003 ZB

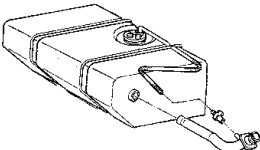

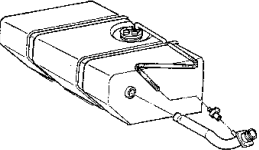

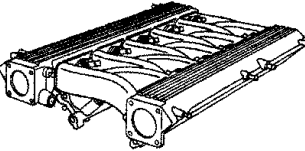
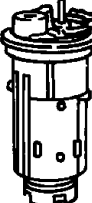
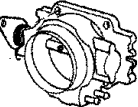
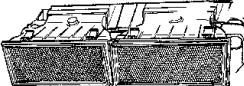
Group - 14

Fuel

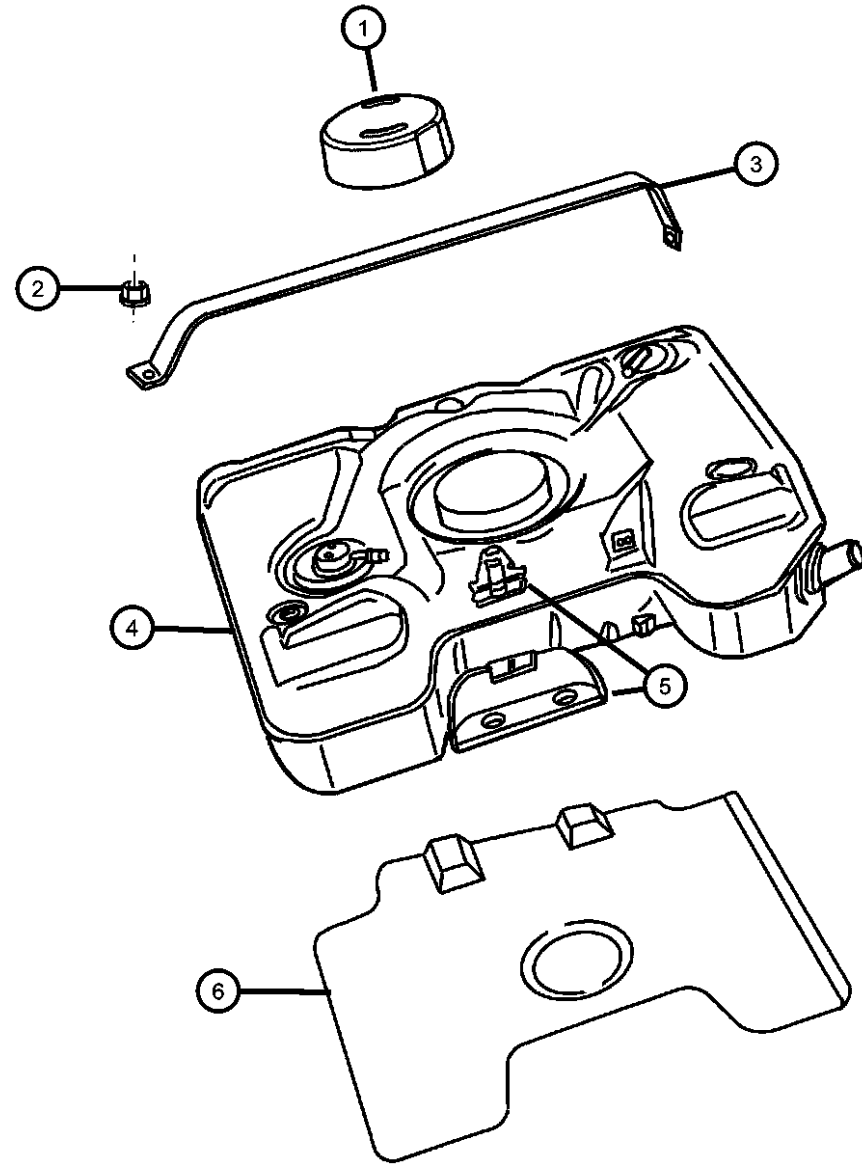


Group - 14 Fuel

Illustration Title	Group-Fig. No.
Tank, Fuel	
Fuel Tank	Fig. 14 - 110
Fuel Tank Filler Tube	
Fuel Filler Tube	Fig. 14 - 210
Fuel Lines	
Fuel Lines and Filter	Fig. 14 - 310
Fuel Rail	
Fuel Supply Tube	Fig. 14 - 410
Fuel Pump and Sending Unit	
Fuel Module	Fig. 14 - 510
Throttle Body	
Throttle Body	Fig. 14 - 610
Air Cleaner	
Air Cleaner	Fig. 14 - 810
Accelerator Pedal	
Accelerator Pedal	Fig. 14 - 1110

014-100 Tank, Fuel 	014-1100 Accelerator Pedal 	014-200 Fuel Tank Filler Tube 	014-300 Fuel Lines 
014-400 Fuel Rail 	014-500 Fuel Pump and Sending Unit 	014-600 Throttle Body 	014-800 Air Cleaner 

Fuel Tank
Figure 14-110



ITEM	PART NUMBER	QTY	LINE	SERIES	BODY	ENGINE	TRANS	TRIM	DESCRIPTION
1	05290164AA	1							BLOCKER, Fuel Tank
2	06504572	2							NUT AND WASHER, Hex Nut-Coned Washer, M8 x 1.25
3	05290089AA	1							STRAP, Fuel Tank
4	05290097AA	1							TANK, Fuel, Control Valve ORVR serviced with Tank
5	05290097AA	1							BRACKET, Serviced with Tank, (NOT SERVICED)
6	05290088AA	1							SHIELD, Fuel Tank Heat
-7	05290088AA	1							SCREW AND WASHER, Hex Head, M8x1.25x25, (NOT SERVICED)

VIPER (ZB)

SERIES

S = SRT-10

X = Coupe

LINE

D = DODGE

BODY

27 = 2-DR CONVERTIBLE

29 = SPECIALTY COUPE

ENGINE

EWC = Engine - 8.3L V10 SFI

TRANSMISSION

DEC = 6-Speed Manual

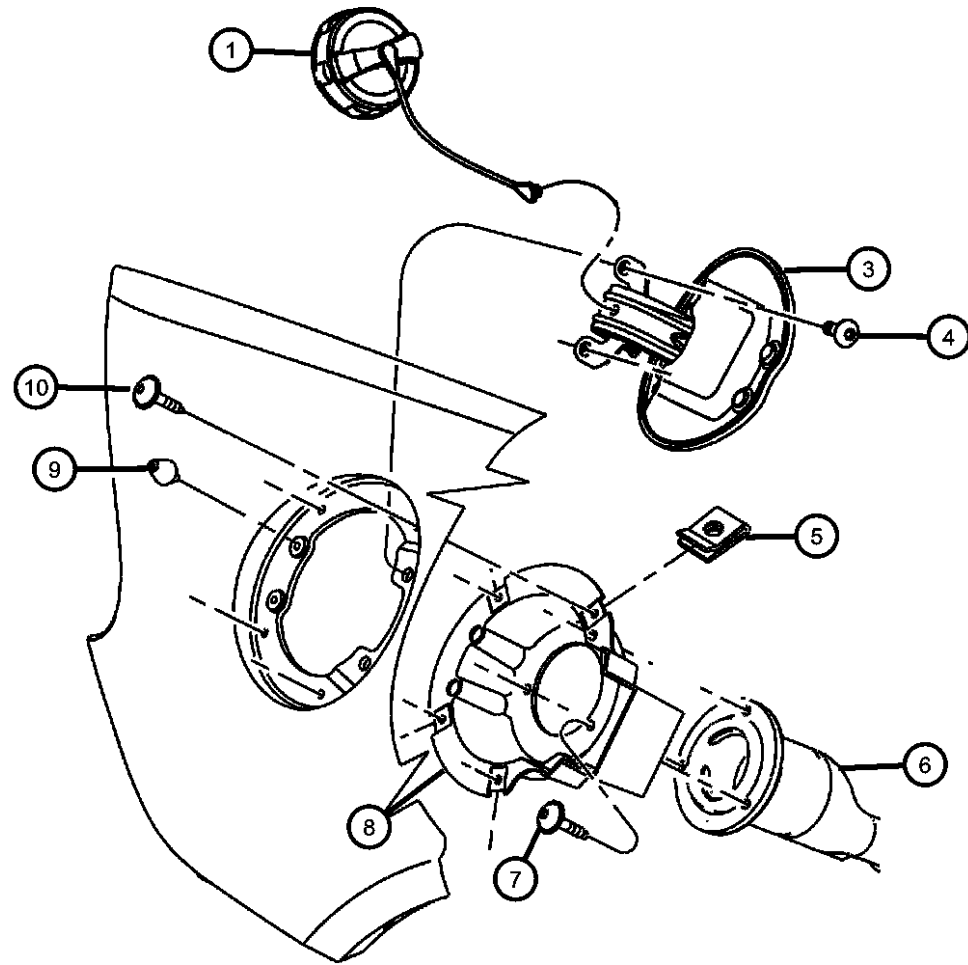
DBB = All Manual Transmissions

AR = use ase required - = Non illustrated part

2003 ZB

Fuel Filler Tube
Figure 14-210

ITEM	PART NUMBER	QTY	LINE	SERIES	BODY	ENGINE	TRANS	TRIM	DESCRIPTION
1	05290145AA	1							CAP, Fuel Filler
-2	06502720	1							NUT, Hex Flange Lock, M8x1.25
3	04865738AB	1				27			DOOR, Fuel Fill, Paint As Required
4	06504791	2							SCREW, TAPPING, BUTTON HEAD, M6 X 1.00 X 18.00
5	06036491AA	4							NUT, Spring U Type, For .164-18 Screw
6	05290917AA	1							TUBE, Fuel Filler
7	05290917AA	1							SCREW, Attach Filler Tube, (NOT SERVICED)
8	04865906AB	1							HOUSING, Fuel Filler
9	05029238AA	2							BUMPER, Fuel Door
10	05029238AA	2							SCREW, Fuel Filler Housing Attach, (NOT SERVICED)
-11	05290087AA	1				27			HOSE, Fuel Filler Tube



VIPER (ZB)

SERIES

S = SRT-10

X = Coupe

LINE

D = DODGE

BODY

27 = 2-DR CONVERTIBLE

29 = SPECIALTY COUPE

ENGINE

EWC = Engine - 8.3L V10 SFI

TRANSMISSION

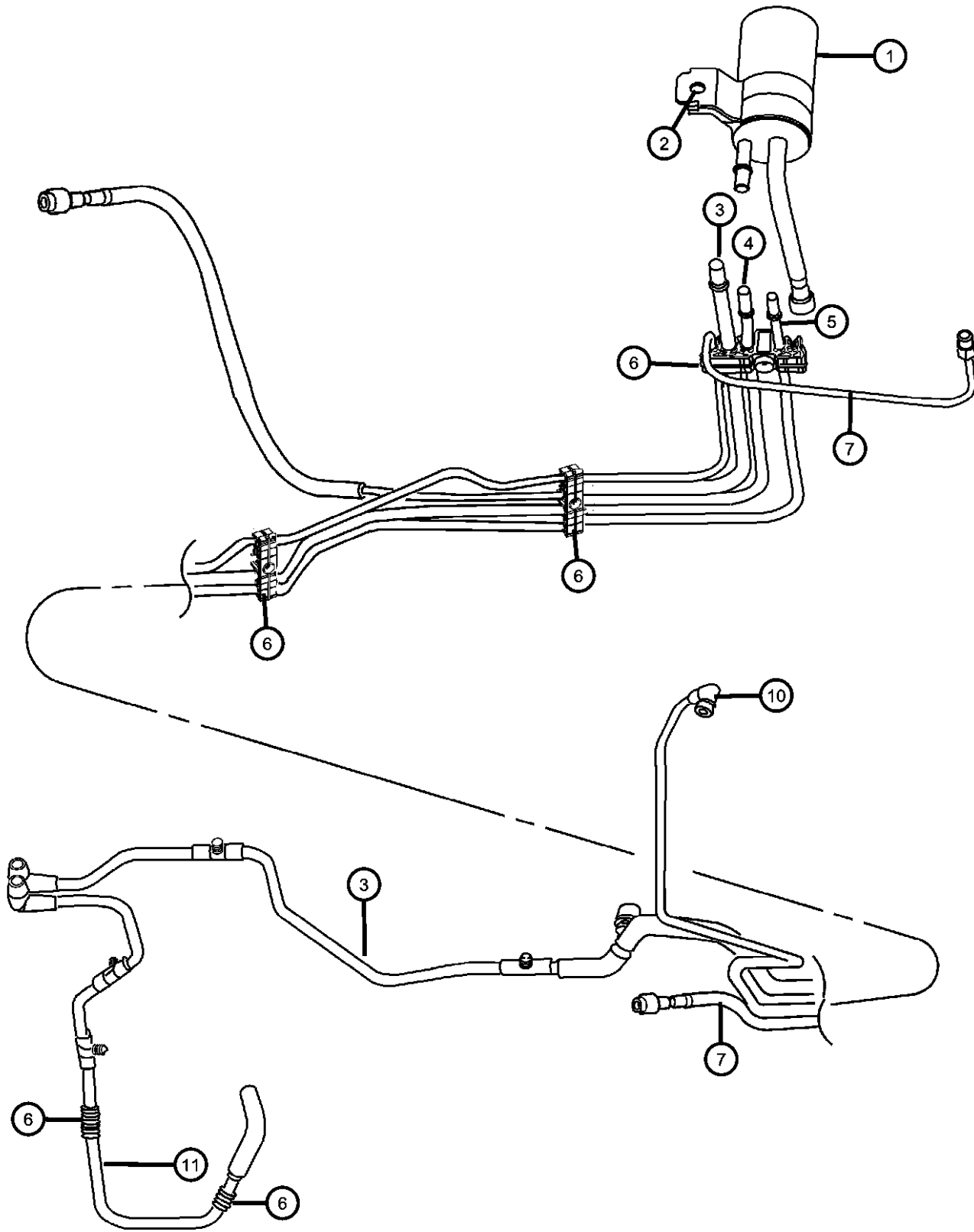
DEC = 6-Speed Manual

DBB = All Manual Transmissions

AR = use ase required - = Non illustrated part

2003 ZB

Fuel Lines and Filter
Figure 14-310



ITEM	PART NUMBER	QTY	LINE	SERIES	BODY	ENGINE	TRANS	TRIM	DESCRIPTION
1	05290801AA	1							FILTER, Fuel
2	06101447	1			27				NUT, Filter to Frame
3									TUBE, Fuel Vapor
	05290092AC	1			27				[NF2]
	05290105AB	1			27				
4									TUBE, Fuel Supply
	05290091AC	1			27				[NF2]
	05290104AC	1							
5									TUBE, Vacuum
	05290093AC	1			27				[NF2]
	05290106AB	1							
6									CLIP, Fuel Bundle
	05085043AA	5			27				5 Tube Underbody
	05278914AA	5			27				
7	05290103AB	1							TUBE, Brake
-8	05290103AB	1							NUT, Tube, Serviced with Tube, (NOT SERVICED)
9	05290153AA	1							TUBE, Leak Detection Pump Vacuum Supply
10	05290098AA	1							HARNESSE, Engine to Purge Solenoid
-11	05290151AA	1			27				SEPARATOR, Fuel Vapor
-12	05290283AA	1			27				CLIP, Fuel Line, 3/4 Inch Single Line
-13	05290282AB	1			27				BRACKET, Fuel Line

VIPER (ZB)

SERIES

S = SRT-10

X = Coupe

LINE

D = DODGE

BODY

27 = 2-DR CONVERTIBLE

29 = SPECIALTY COUPE

ENGINE

EWC = Engine - 8.3L V10 SFI

TRANSMISSION

DEC = 6-Speed Manual

DBB = All Manual Transmissions

AR = use ase required - = Non illustrated part

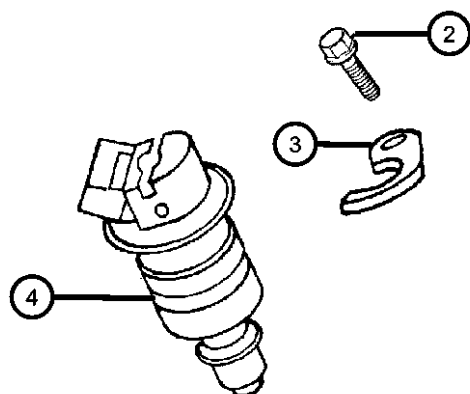
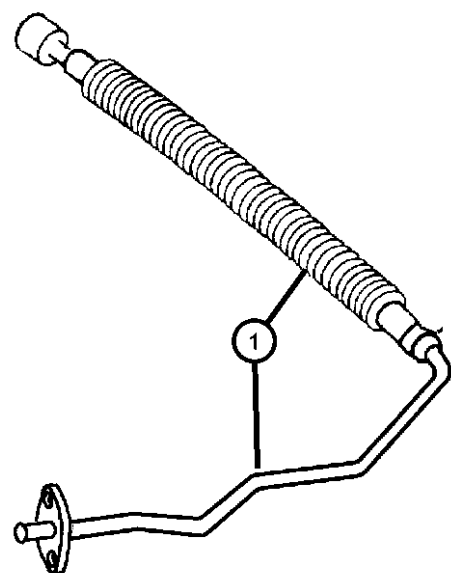
2003 ZB

Fuel Supply Tube
Figure 14-410

ITEM	PART NUMBER	QTY	LINE	SERIES	BODY	ENGINE	TRANS	TRIM	DESCRIPTION
------	-------------	-----	------	--------	------	--------	-------	------	-------------

NOTE Sales Code
[EWC] = 8.3L V10 SFI Engine

1	05096292AA	1				EWC			RAIL, Fuel, with O Ring
2	06035666	1				EWC			SCREW, Hex Flange Head, .25-20x1.00
3	04418257AB	10				EWC			CLIP, Fuel Injector
4	05037224AA	10				EWC			INJECTOR, Fuel
-5	04723971	10				EWC			O RING PACKAGE, Fuel Injector



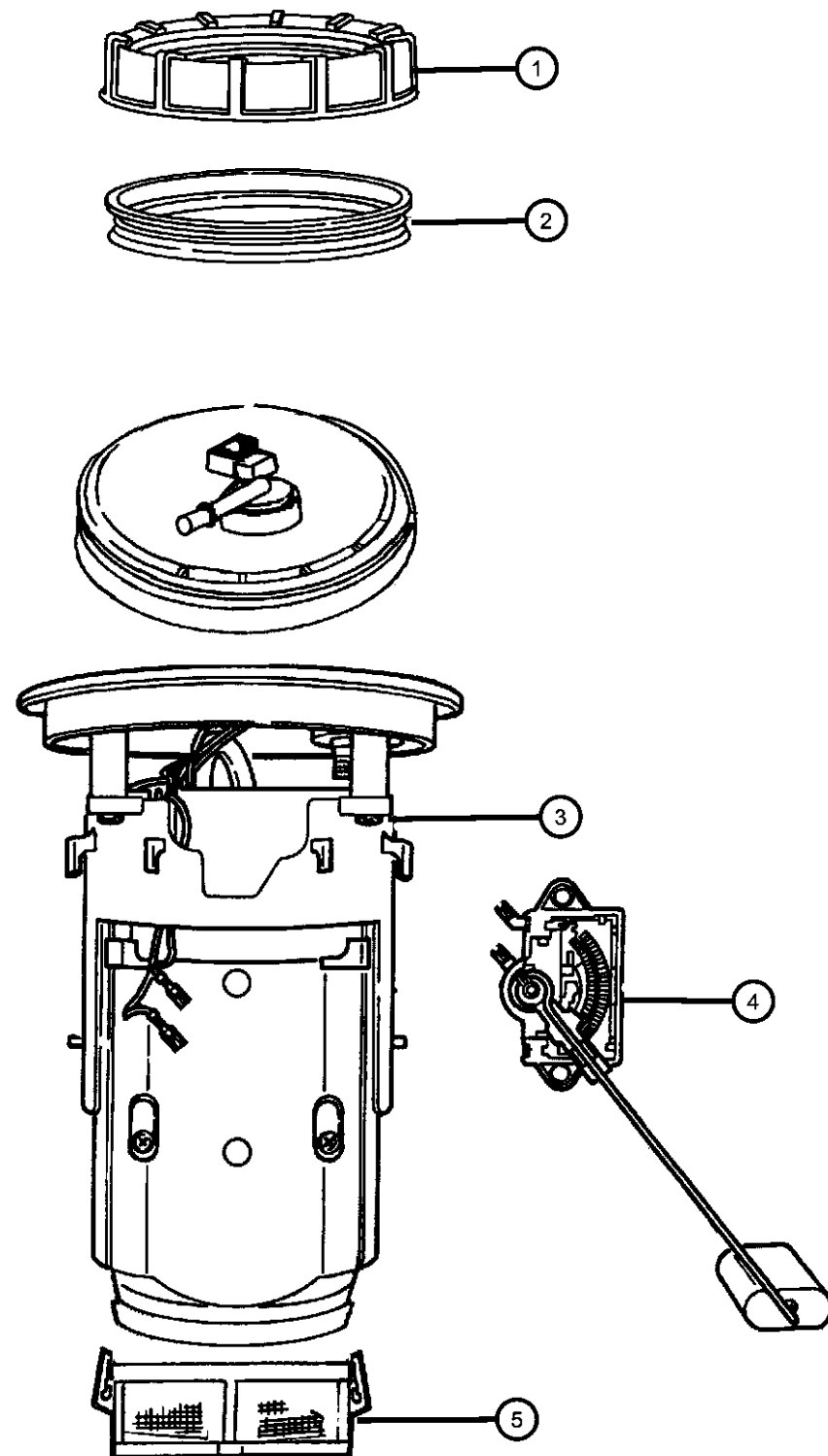
VIPER (ZB)

SERIES	LINE	BODY	ENGINE	TRANSMISSION
S = SRT-10	D = DODGE	27 = 2-DR CONVERTIBLE	EWC = Engine - 8.3L V10 SFI	DEC = 6-Speed Manual
X = Coupe		29 = SPECIALTY COUPE		DBB = All Manual Transmissions

AR = use ase required - = Non illustrated part

2003 ZB

Fuel Module
Figure 14-510



ITEM	PART NUMBER	QTY	LINE	SERIES	BODY	ENGINE	TRANS	TRIM	DESCRIPTION
1	52005389	1			27				NUT, Fuel Pump Module
2	52018808	1			27				SEAL, Fuel Pump and Level Unit
3	05086489AA	1			27				MODULE KIT, Fuel Pump/Level Unit
4	05086615AA	1			27				LEVEL UNIT KIT, Fuel
5	05086615AA	1							FILTER KIT, Fuel, Serviced in Module, (NOT SERVICED)

VIPER (ZB)

SERIES
S = SRT-10
X = Coupe

LINE
D = DODGE

BODY
27 = 2-DR CONVERTIBLE
29 = SPECIALTY COUPE

ENGINE
EWC = Engine - 8.3L V10 SFI

TRANSMISSION
DEC = 6-Speed Manual
DBB = All Manual Transmissions

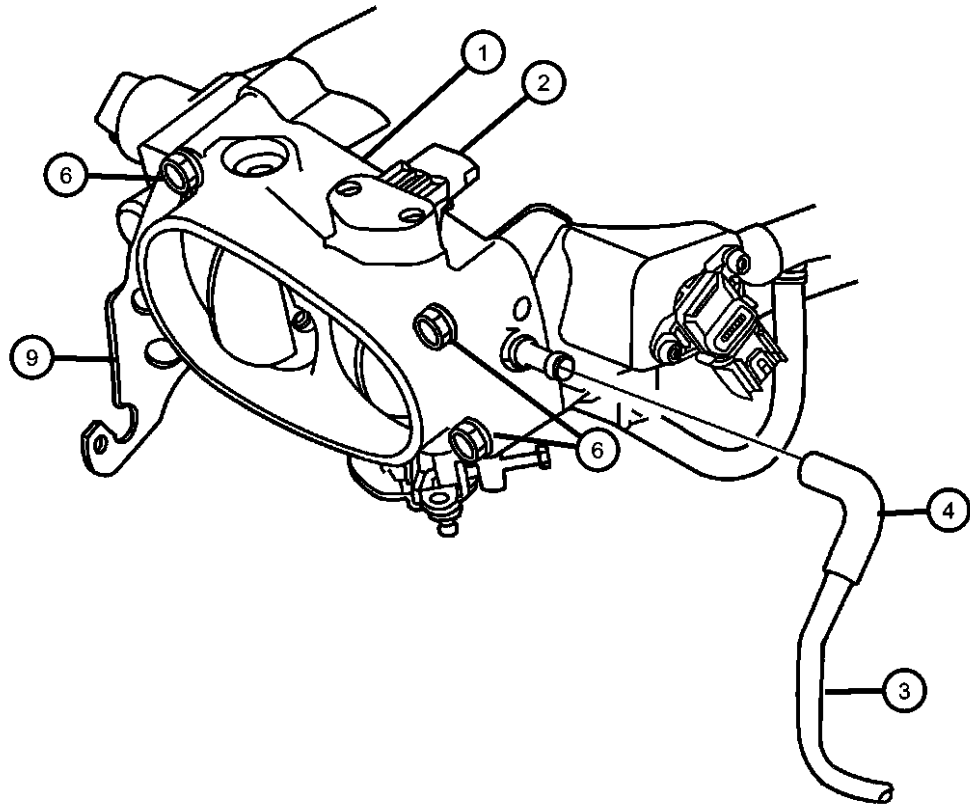
AR = use ase required - = Non illustrated part

**Throttle Body
Figure 14-610**

ITEM	PART NUMBER	QTY	LINE	SERIES	BODY	ENGINE	TRANS	TRIM	DESCRIPTION
------	-------------	-----	------	--------	------	--------	-------	------	-------------

NOTE: Sales Code
[EWC] = 8.3L V10 SFI Engine

1	05037112AA	1				EWC			THROTTLE BODY
2	04686360AB	1			27	EWC			SENSOR, Throttle Position
3	05290098AA	1							HARNES, Engine to Purge Solenoid
4	05290098AA	1							CONNECTOR, Serviced with Harness, (NOT SERVICED)
-5	05037191AA	1				EWC			GASKET, Throttle Body To Intake
6	06035666	3				EWC			SCREW, Hex Flange Head, .25-20x1.00
-7	05037288AA	1							CABLE, Accelerator
-8	04287736	1							RETAINER, Throttle Cable
9	05037285AA	1				EWC			BRACKET, Accelerator Cable
-10	04778637AB	1				EWC			MOTOR KIT, A.I.S.
-11	05037342AB	1			27				HOSE, Clean Air Tube to A.I.S. Motor
-12	83503642	1			27	EWC			O RING, Throttle Body, IAC Stepper Motor Valve



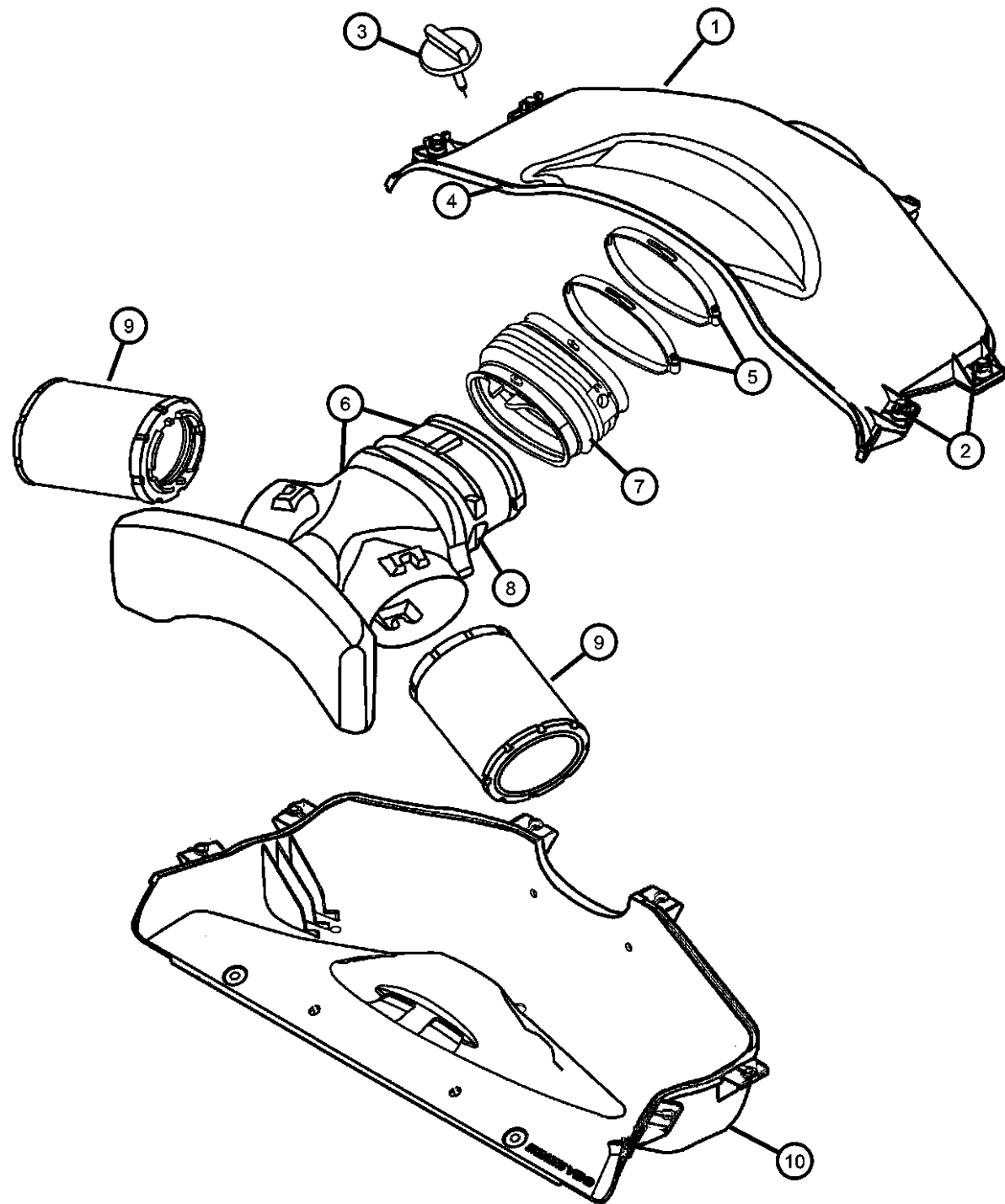
VIPER (ZB)

SERIES	LINE	BODY	ENGINE	TRANSMISSION
S = SRT-10	D = DODGE	27 = 2-DR CONVERTIBLE	EWC = Engine - 8.3L V10 SFI	DEC = 6-Speed Manual
X = Coupe		29 = SPECIALTY COUPE		DBB = All Manual Transmissions

AR = use ase required - = Non illustrated part

2003 ZB

**Air Cleaner
Figure 14-810**



ITEM	PART NUMBER	QTY	LINE	SERIES	BODY	ENGINE	TRANS	TRIM	DESCRIPTION
1	05037292AA	1			27				COVER, Air CleanerUpper
2	05066221AB	6			27				SCREW, Air Cleaner Cover
3	06503823	1			27				WINGNUT, M6-1.00
4	05029171AA	1							SEAL, Air CleanerFoam
5	05037331AA	2			27				CLAMP, Air Cleaner Duct
6	05037295AA	1							TUBE, Clean Air
7	05037297AA	1							DUCT, Air Cleaner to Throttle Body
8	04606487AB	1			27	EWC			SENSOR, Charge Air Temp
9	05037294AA	2							ELEMENT, Air Cleaner
10	05037293AA	1			27				BODY, Air CleanerLower

VIPER (ZB)

SERIES
S = SRT-10
X = Coupe

LINE
D = DODGE

BODY
27 = 2-DR CONVERTIBLE
29 = SPECIALTY COUPE

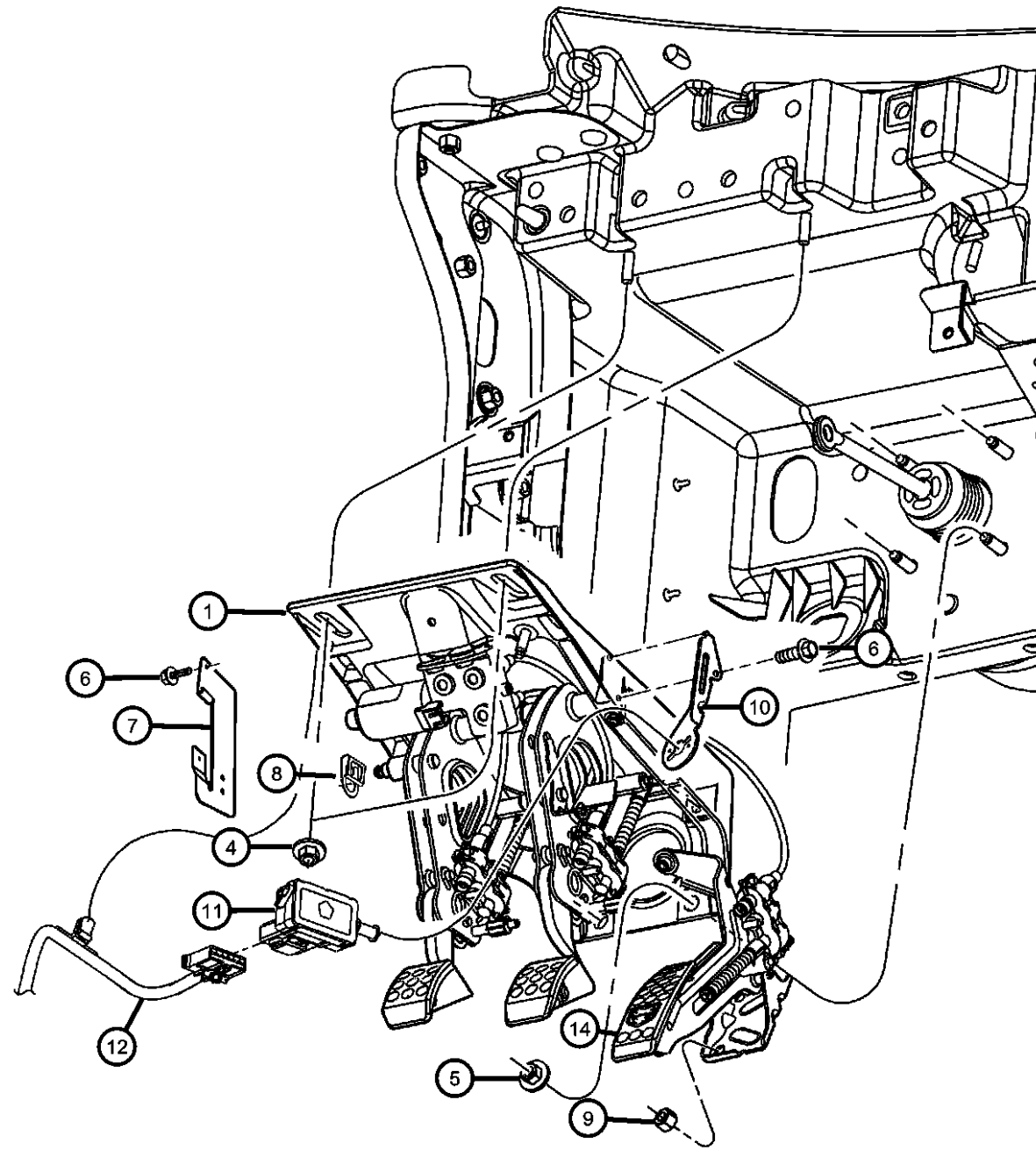
ENGINE
EWC = Engine - 8.3L V10 SFI

TRANSMISSION
DEC = 6-Speed Manual
DBB = All Manual Transmissions

AR = use ase required - = Non illustrated part

2003 ZB

**Accelerator Pedal
Figure 14-1110**



ITEM	PART NUMBER	QTY	LINE	SERIES	BODY	ENGINE	TRANS	TRIM	DESCRIPTION
1	05290890AA	1							PEDAL, Brake, Clutch, and Accelerator
-2	04306150	1							ISOLATOR, Throttle Cable
-3	56042387	1							SWITCH, Electric Pedal Adjust
4	06102167AA	2							NUT AND WASHER, Sled
5	J4003909	4							NUT, Hex Flange With Serration
6	J4003909	4							SCREW, [M5X0.8X10.00], (NOT SERVICED)
7	05029211AA	1							BRACKET, Wiring Harness
8	04294036	1							CLIP
9	06101444	2							NUT AND WASHER, Hex, M6x1.0, Gas Pedal To Floor
10	05029206AB	1							BRACKET, Stop Lamp Switch
11	05083344AA	1							SWITCH PACKAGE, Stop Lamp
12	05083344AA	1							WIRING, Instrument Panel, See Electrical Group, (NOT SERVICED)
-13	05037288AA	1							CABLE, Accelerator
14	05102047AA	1				27			PAD, Accelerator Pedal

VIPER (ZB)

SERIES	LINE	BODY	ENGINE	TRANSMISSION
S = SRT-10	D = DODGE	27 = 2-DR CONVERTIBLE	EWC = Engine - 8.3L V10 SFI	DEC = 6-Speed Manual
X = Coupe		29 = SPECIALTY COUPE		DBB = All Manual Transmissions

AR = use ase required - = Non illustrated part

Group - 16

Propeller Shafts and U-Joints

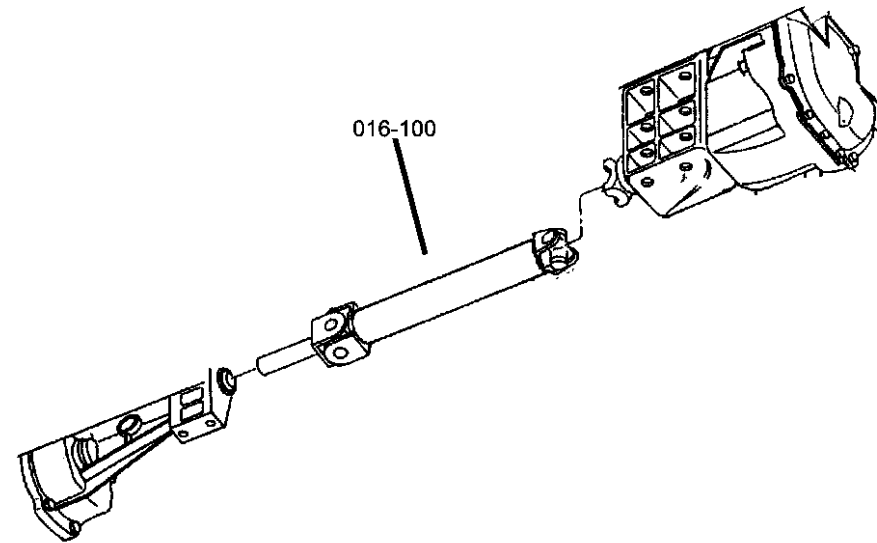
Group - 16 Propeller Shafts and U-Joints

Group-Fig. No.

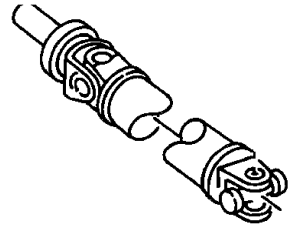
Illustration Title

Propeller Shaft

Shaft, Propeller, Rear, 1 Piece Fig. 16 - 110

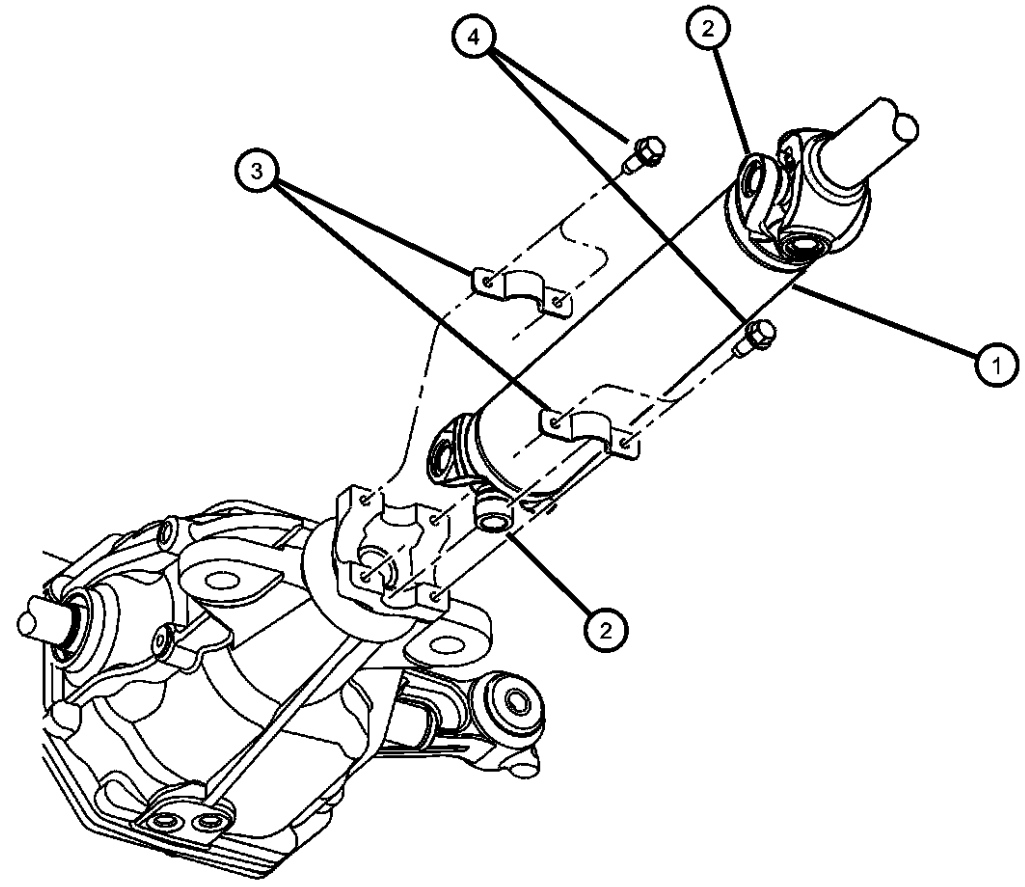


016-100
Propeller Shaft



Shaft, Propeller, Rear, 1 Piece
Figure 16-110

ITEM	PART NUMBER	QTY	LINE	SERIES	BODY	ENGINE	TRANS	TRIM	DESCRIPTION
1	05037750AA	1							SHAFT, Drive
2	04797307AB v8017307aa	2							U-JOINT Mopar Alternative Universal Joint
3	04428723	2							CLAMP, U-Joint
4	06502581	4							BOLT, Hex Flange Head, M8x1.0x19



VIPER (ZB)

SERIES	LINE	BODY	ENGINE	TRANSMISSION
S = SRT-10	D = DODGE	27 = 2-DR CONVERTIBLE	EWC = Engine - 8.3L V10 SFI	DEC = 6-Speed Manual
X = Coupe		29 = SPECIALTY COUPE		DBB = All Manual Transmissions

AR = use ase required - = Non illustrated part

Group - 17

Rear Suspension

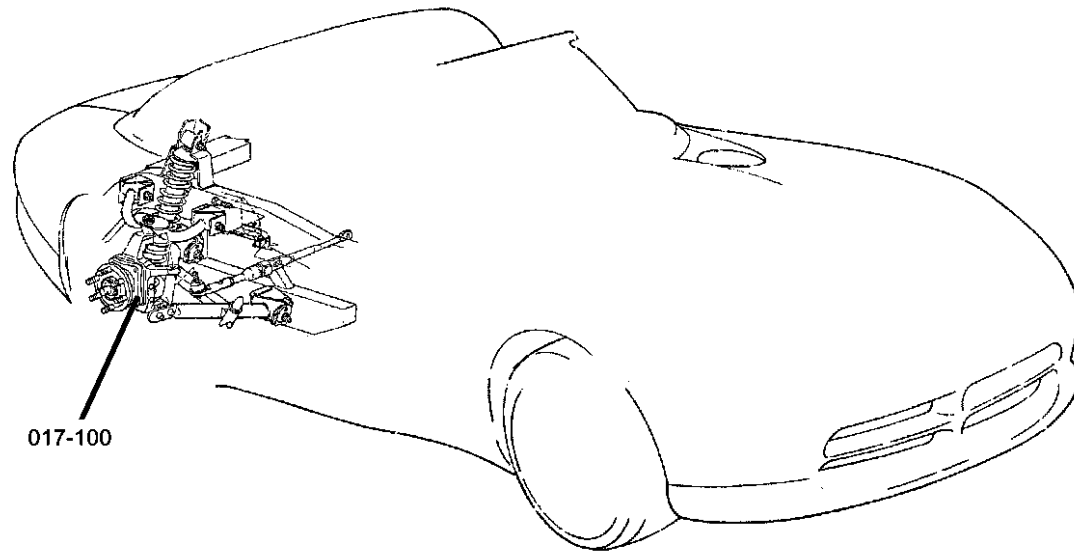
Group - 17 Rear Suspension

Group-Fig. No.

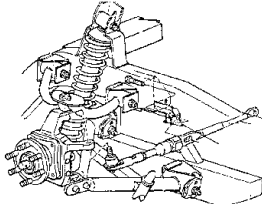
Illustration Title

Rear Suspension

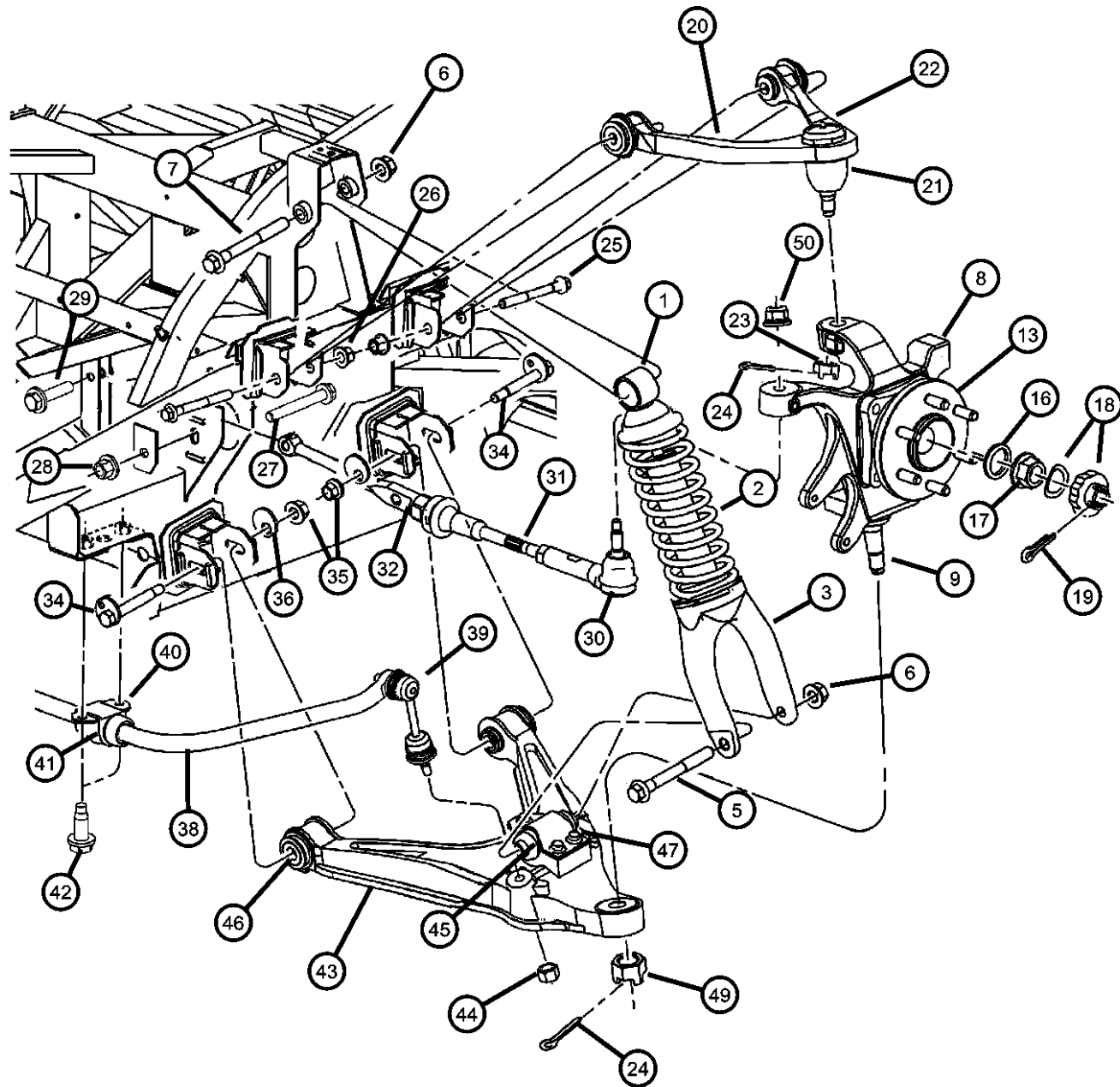
Suspension, RearFig. 17 - 120



017-100

<p>017-100 Rear Suspension</p> 			
--	--	--	--

Suspension, Rear
Figure 17-120



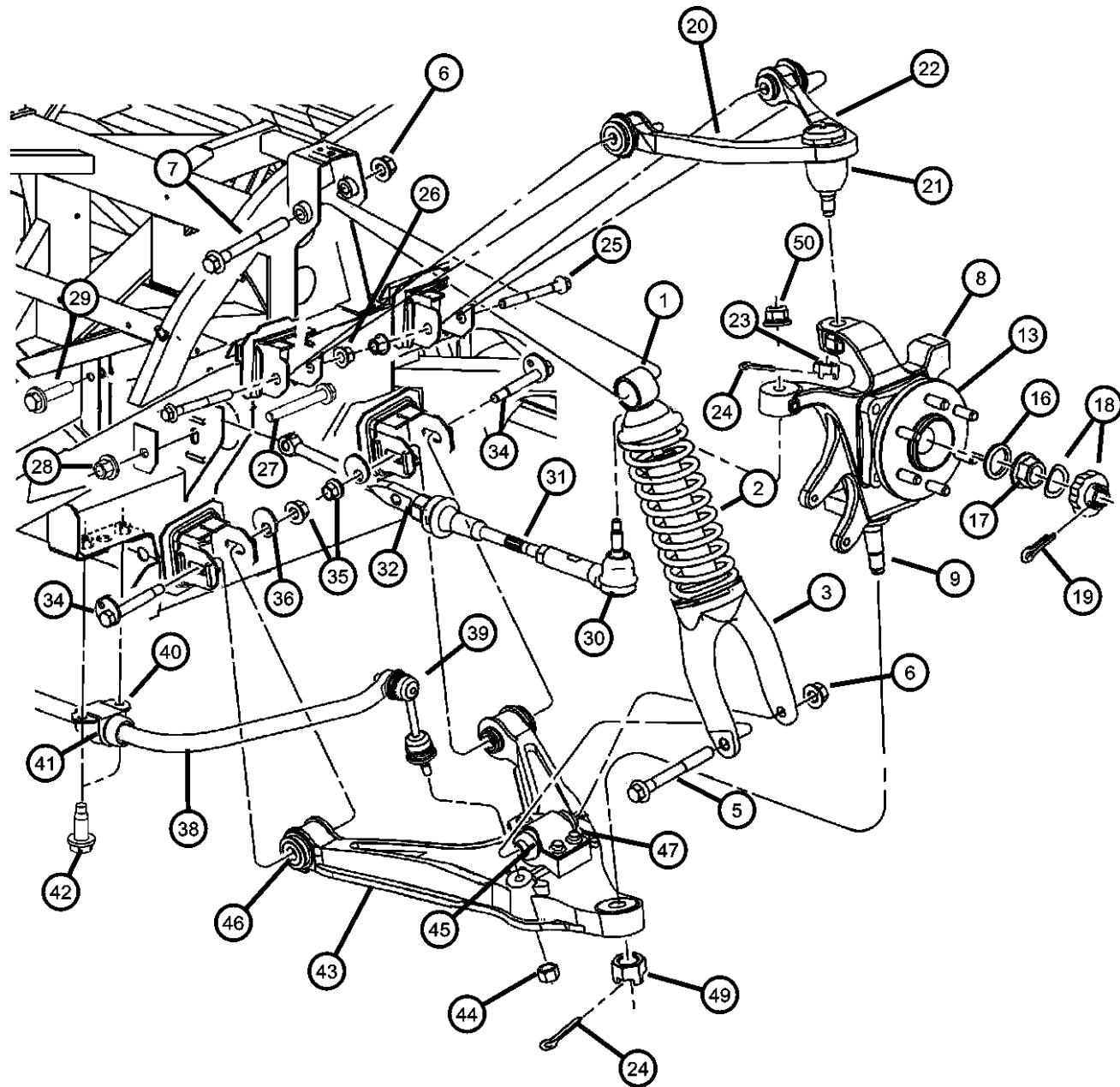
ITEM	PART NUMBER	QTY	LINE	SERIES	BODY	ENGINE	TRANS	TRIM	DESCRIPTION
Sales Codes: [SDE]= SPORT GROUP									
1	05290040AE	2			27				SHOCK ABSORBER, Suspension, Rear, With Bushings
2	05290263AA	2			27				SPRING, Rear Coil
3	05290128AB	2							BRACKET, Suspension
-4	05290233AA	2							BUSHING, Upper and Lower Shock
5	06102081AA	2							SCREW, Hex Flange Head, M14x2.00x140.00Shock Absorber Lower Mounting
6	06502698	4							NUT, Hex Flange Lock, Shock Mounting
7	06504189	2							SCREW
8									KNUCKLE, Rear
	05086730AA	1							Right
	05086731AA	1							Left
9	04848174	1			27				BALL JOINT, Lower Control Arm
-10	52006404	1							SEAL, Ball Joint
-11	06030099	1							FITTING, Ball Joint, Zirc
-12	04848173	1			27				GASKET, Ball Joint
13	04848716	1							HUB AND BEARING, Brake
-14	04848171	1							GASKETHub And Bearing
-15	06035642	4							SCREW AND WASHER, Hex Head Locking, .50-20x2.25 Grade 8, Hub and Bearing to Knuckle
16	06502293	2							WASHER, Flat, M23x43x4
17	06502294	1							NUT, Hex Flange, M22x1.25
18	04293167	2							NUT AND WASHER PACKAGE, Front Hub, Or Rear
19	06500336	2							PIN, Cotter, M5x36.00
20	05290117AA	2							ARM, ControlUpper
21	52006404	1							SEAL, Ball Joint
22	06030099	1							FITTING, Ball Joint, Zirc
23	06035641	2							NUT, Hex, .625-18
24	00120123	2							PIN, Cotter
25	06502046	4							BOLT, Suspension Upper Arm
26	06502585	4							NUT
27	06101707	2							BOLT, M10x1.50x75
28	06502337	2							NUT, M10x1.5
29	06101063	2							SCREW AND WASHER, M10x1.5x45

VIPER (ZB)

SERIES	LINE	BODY	ENGINE	TRANSMISSION
S = SRT-10	D = DODGE	27 = 2-DR CONVERTIBLE	EWC = Engine - 8.3L V10 SFI	DEC = 6-Speed Manual
X = Coupe		29 = SPECIALTY COUPE		DBB = All Manual Transmissions

AR = use ase required - = Non illustrated part

Suspension, Rear
Figure 17-120



ITEM	PART NUMBER	QTY	LINE	SERIES	BODY	ENGINE	TRANS	TRIM	DESCRIPTION
30	05290168AA	2							END, Tie Rod
31	04763159AB	2							LINK, Trailing Rear Suspension
32	04709309	2							ROD, Toe Link
-33									SHIM, Tow Link To Frame
	04643912	AR							[NOM]
	04643914	AR							[4U]
	04643915	AR							[6U]
	04643985	AR							[2D]
	04643986	AR							[4D]
	04643987	AR							[6D]
34	06036525AA	4							BOLT, Control Arm Cam
35	06036467AA	4							NUT, Hex Lock, .50-20
36	06036469AA	4							WASHER, Control Arm
-37	06100219	2							NUT, Hex Jam, M10x1.5, Link to Bar
38	05290169AA	1							BAR, Rear Sway
39	04709289	2							LINK, Rear Suspension Assist
40	04404219AB	2							RETAINER, Stabilizer Bar Grommet
41	04643004	2							BUSHING, Stabilizer Bar
42	04643004	2							SCREW, M10x1.5x30, (NOT SERVICED)
43									ARM, Control
	05290118AA	1							Right
	05290119AA	1							Left
44	06502556	2							NUT, Hex, M10-1.5
45	04848052AB	1							BUSHING
46	04848050	2							BUSHING, Control Arm
47	06503357	3							BOLT, Hex Flange Head, M10x1.50x55
-48	06502696	3							NUT, Hex Flange Lock, M14x1.50
49	06035670	4							NUT, Hex, .687-18
50	06035641	2							NUT, Hex, .625-18

VIPER (ZB)

SERIES	LINE	BODY	ENGINE	TRANSMISSION
S = SRT-10	D = DODGE	27 = 2-DR CONVERTIBLE	EWC = Engine - 8.3L V10 SFI	DEC = 6-Speed Manual
X = Coupe		29 = SPECIALTY COUPE		DBB = All Manual Transmissions

AR = use ase required - = Non illustrated part

2003 ZB

Group - 19

Steering

Group - 19 Steering

Group-Fig. No.

Illustration Title

Steering Wheel

Wheel, SteeringFig. 19 - 120

Steering Column

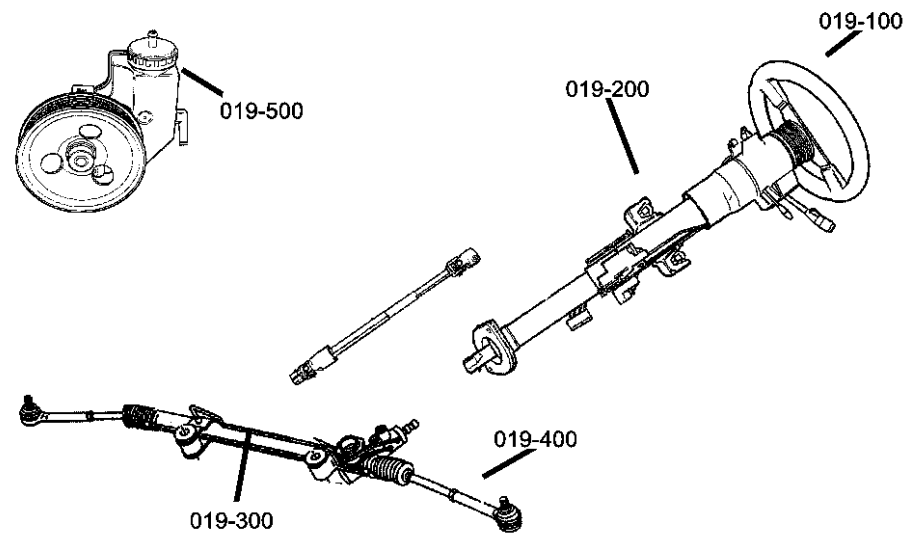
Column Assembly And MountingFig. 19 - 230

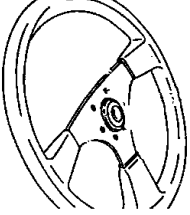
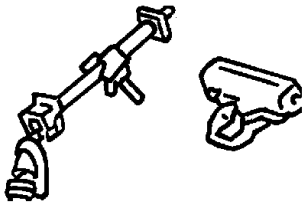
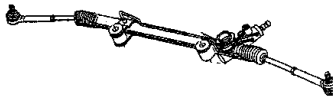
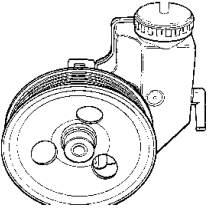
Steering Gear

Gear, Rack & Pinion Power And Attaching PartsFig. 19 - 310

Power Steering Pump

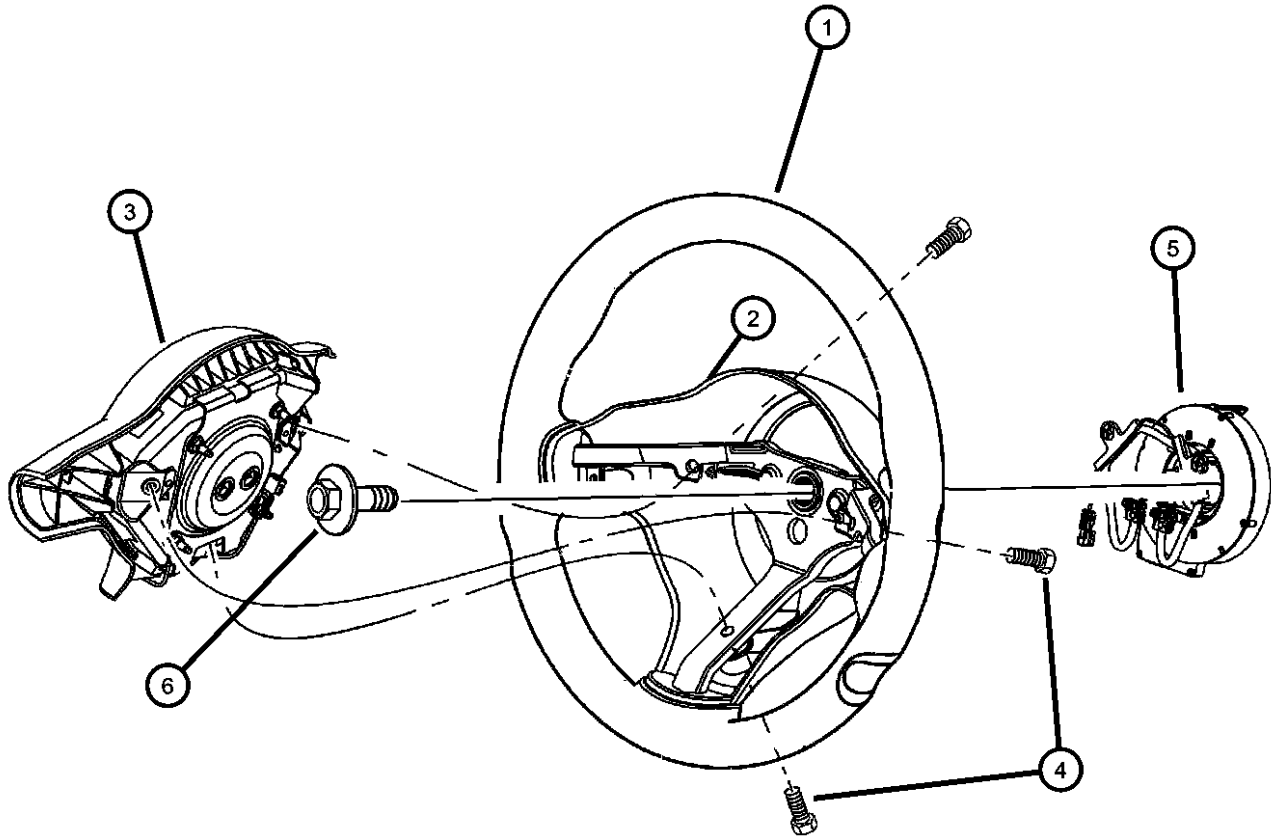
Pump And Hoses, Power SteeringFig. 19 - 510



<p>019-100 Steering Wheel</p> 	<p>019-200 Steering Column</p> 	<p>019-300 Steering Gear</p> 	<p>019-500 Power Steering Pump</p> 
--	---	--	---

Wheel, Steering
Figure 19-120

ITEM	PART NUMBER	QTY	LINE	SERIES	BODY	ENGINE	TRANS	TRIM	DESCRIPTION
1	0TQ901X9AA	1							WHEEL, Steering
2	0TQ91DX9AA	1							COVER, Steering WheelBack
3	0TQ87DX9AB	1							AIR BAG, Driver
4	06503771	3							SCREW, Hex Flange Head, M6x1x23Air Bag Module To Steering Wheel
5	04671789AC	1							CLOCKSPRING
6	06505656AA	1							SCREW, Hex Flange Head, M10x1.5x35., Steering Wheel Attaching



VIPER (ZB)

SERIES
S = SRT-10
X = Coupe

LINE
D = DODGE

BODY
27 = 2-DR CONVERTIBLE
29 = SPECIALTY COUPE

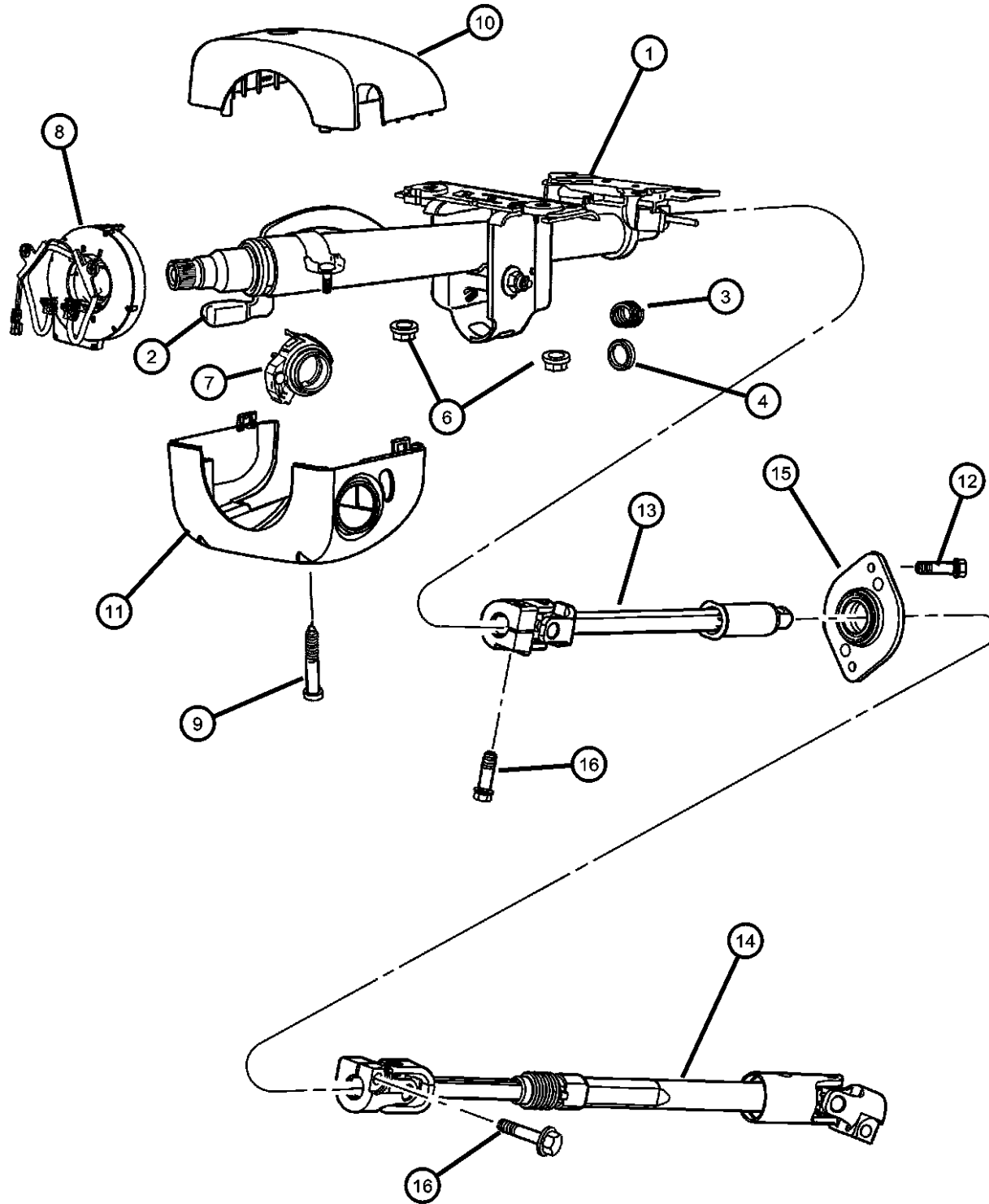
ENGINE
EWC = Engine - 8.3L V10 SFI

TRANSMISSION
DEC = 6-Speed Manual
DBB = All Manual Transmissions

AR = use ase required - = Non illustrated part

2003 ZB

Column Assembly And Mounting
Figure 19-230



ITEM	PART NUMBER	QTY	LINE	SERIES	BODY	ENGINE	TRANS	TRIM	DESCRIPTION
1	04865679AC	1							COLUMN, Steering, Tilt
2	04865679AC	1							LEVER, Tilt Column Release, Serviced in item # 1, (NOT SERVICED)
3	04865679AC	1							SPRING, (NOT SERVICED)
4	04147362AB	1							BEARING, Steering Column Shaft, Export Only
-5	04664130	1							RETAINER, Spring
6	06503182	4							NUT AND WASHER, Hex Lock Nut-Coned Teeth Washer, M8 x 1.25
7	04671104	1							LAMP, Ignition Switch
8	04671789AC	1							CLOCKSPRING
9	06035434	2							SCREW AND WASHER, Pan Head, Shrouds Attaching
10	0UC77DX9AA	1							SHROUD, Steering ColumnUpper
11	0UC78DX9AA	1							SHROUD, Steering ColumnLower
12	06102204AA	2							SCREW
13	05290070AD	1							SHAFT, Steering Column
14	04865588AC	1							SHAFT, Steering Column
15	05290187AA	1							BEARING, Steering Column Shaft
16	06504926AA	3							SCREW, Hex Flange Head, M10x1.5x40

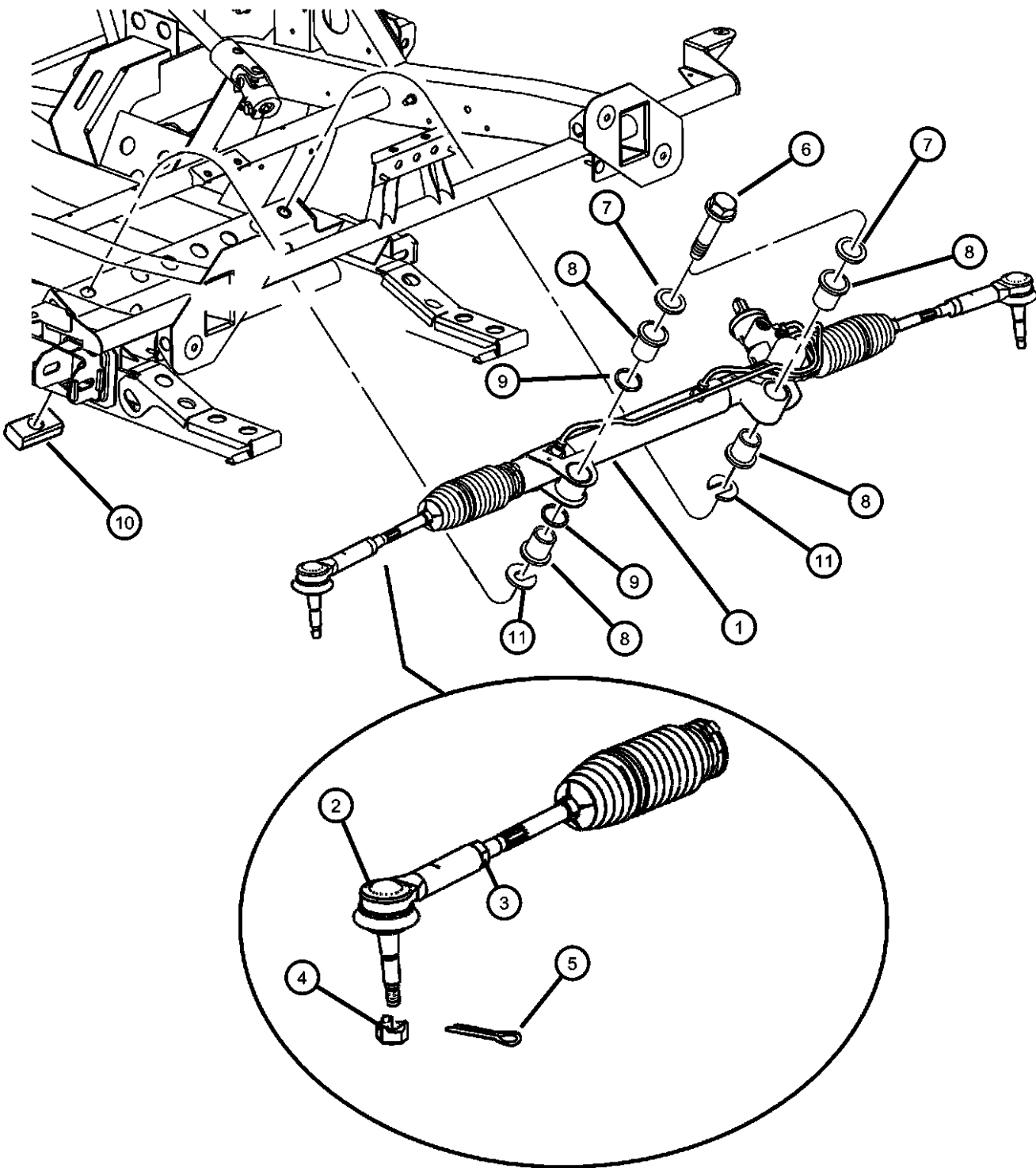
VIPER (ZB)

SERIES	LINE	BODY	ENGINE	TRANSMISSION
S = SRT-10	D = DODGE	27 = 2-DR CONVERTIBLE	EWC = Engine - 8.3L V10 SFI	DEC = 6-Speed Manual
X = Coupe		29 = SPECIALTY COUPE		DBB = All Manual Transmissions

AR = use ase required - = Non illustrated part

Gear, Rack & Pinion Power And Attaching Parts

Figure 19-310



ITEM	PART NUMBER	QTY	LINE	SERIES	BODY	ENGINE	TRANS	TRIM	DESCRIPTION
1	05104889AA	1							GEAR, Power Steering, Without Tie Rod Ends
2	05290168AA	2							END, Tie Rod
3	05104685AA	2							JAM NUT, Outer Tie Rod
4	06506557AA	2							NUT AND WASHER Tie Rod To Knuckle
5	00120123	2							PIN, Cotter
6	06033181	2		S					BOLT, Hex Head, .625-11x3.75, Stering Gear to Frame
7	06034710	2							WASHER, Flat
8	04642116	4							ISOLATOR, Steering Gear
9	04708035	2							O RING, Steering Gear
10	04117796	1							NUT, Pivot Arm, Steering Gear Attaching
11	04708475	AR							SHIM, Steering Gear, 0.5mm
-12	04708070	AR							SHIM, Steering Gear, 1.0mm
-13	04708068	AR							SHIM, Steering Gear, 1.5mm
-14	04708069	AR							SHIM, Steering Gear, 3.0mm

VIPER (ZB)

SERIES

S = SRT-10

X = Coupe

LINE

D = DODGE

BODY

27 = 2-DR CONVERTIBLE

29 = SPECIALTY COUPE

ENGINE

EWC = Engine - 8.3L V10 SFI

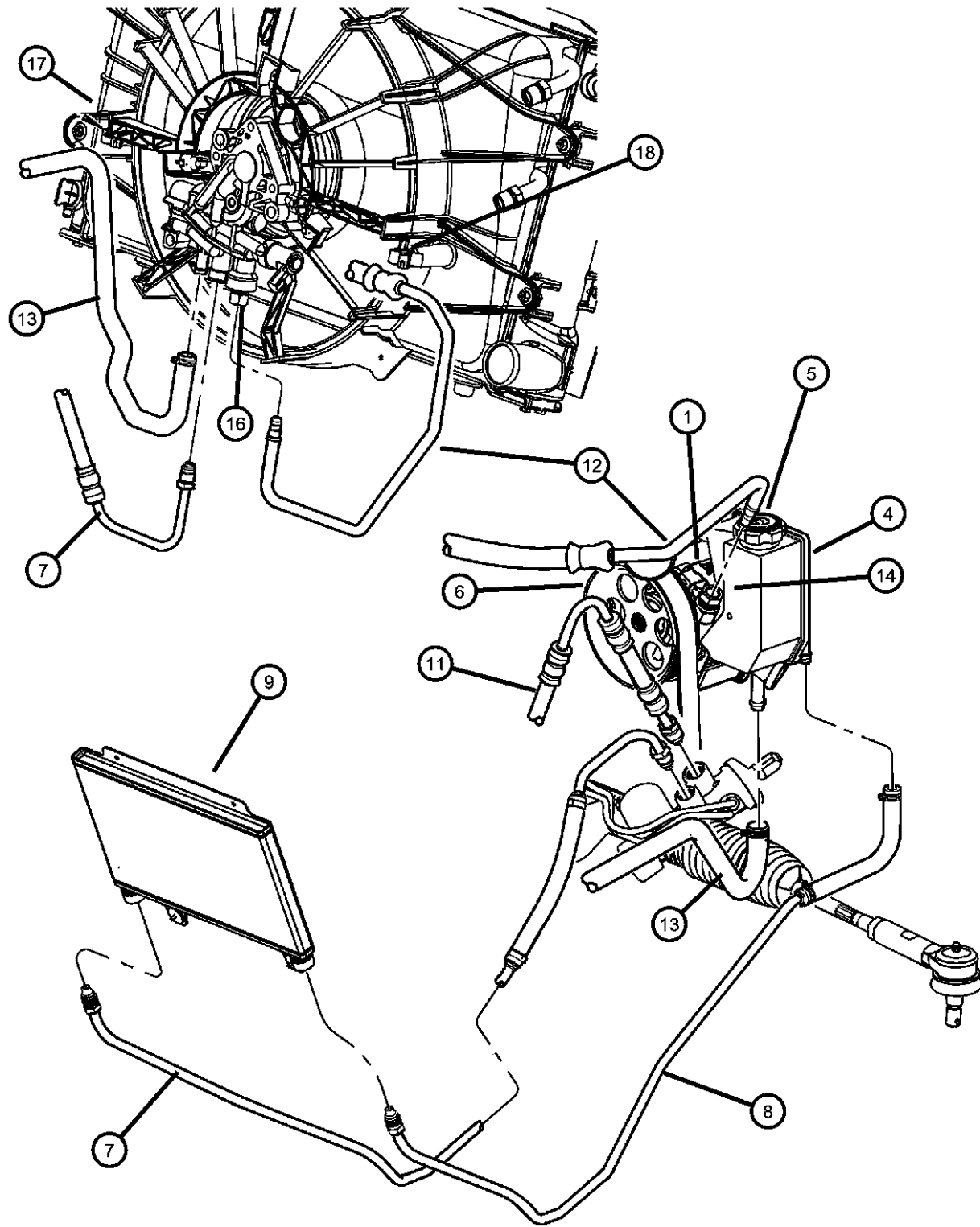
TRANSMISSION

DEC = 6-Speed Manual

DBB = All Manual Transmissions

AR = use ase required - = Non illustrated part

Pump And Hoses, Power Steering
Figure 19-510



ITEM	PART NUMBER	QTY	LINE	SERIES	BODY	ENGINE	TRANS	TRIM	DESCRIPTION
NOTE: Sales Code [EWC] = 8.3L V10 SFI									
1	05093985AA	1				EWC			PUMP, Power Steering
	05166226AA								Mopar Power Steering Fluid Pint
-2	04778797AB	1				EWC			SEAL, Power Steering Pump
-3	02537833	1				EWC			SPRING, Power Steering Pump Flow
4	05103202AA	1				EWC			RESERVOIR, Power Steering Pump, Kit, Contains: 2-Clips, Throat Tube, O'Ring
5	05073626AA	1				EWC			CAP, Power Steering Reservoir
6	05290139AA	1				EWC			PULLEY, Power Steering Pump
7	05290009AA	1							LINE, Power Steering, To Cooler
8	05290010AA	1							HOSE, Power Steering Return
9	05093235AA	1							COOLER KIT, Power Steering
-10	05290238AA	2							CONNECTOR, Power Steering Cooler
11	05086999AA	1							LINE, Power Steering, Fan to Steering Gear
12	05086998AA	1							LINE, Power Steering, Power Steering Pump to Fan
13									LINE, Power Steering
	05290008AA	1							Fan to Power Steering Pump
	05290008AC	1							Fan to Power Steering Pump Up to 3/17/03
	05290008AD	1							Fan to Power Steering Pump After 3/17/03
14	52088914AA	1				EWC			FITTING, Quick Disconnect
-15	05019705AA	1				EWC			O RING
16	52088116AB	1							FITTING, Quick Connect
17									CLIP, Line
	52079928AA	1							Pressure Line 1/2 Inch
	52079929AB	1							Pressure Line 3/8 Inch
18	05290177AA	1							CLIP, Power Steering Return Hose

VIPER (ZB)

SERIES	LINE	BODY	ENGINE	TRANSMISSION
S = SRT-10	D = DODGE	27 = 2-DR CONVERTIBLE	EWC = Engine - 8.3L V10 SFI	DEC = 6-Speed Manual
X = Coupe		29 = SPECIALTY COUPE		DBB = All Manual Transmissions

AR = use ase required - = Non illustrated part

Group - T56

Manual Transmission 6 Speed

Group - T56 Manual Transmission 6 Speed

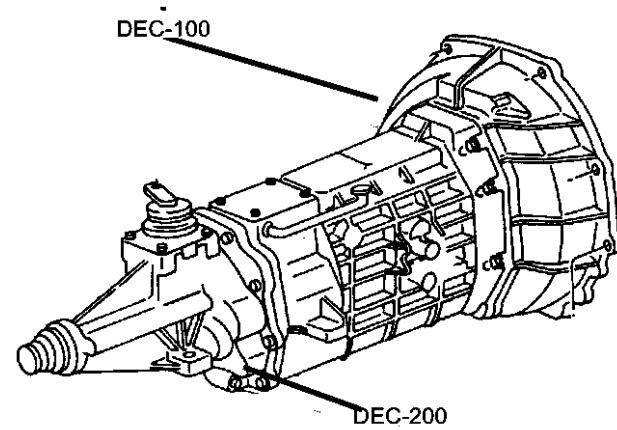


Illustration Title

Group-Fig. No.

Transmission

Transmission Assembly Fig. T56 - 110

Case & Extension

Case & Extension Fig. T56 - 210

Transmission Mounting

Transmission Mounting Fig. T56 - 310

Transmission, Rear Mounting Fig. T56 - 320

Skid Plate Fig. T56 - 330

Gear Train

Input Shaft, Mainshaft & Countershaft Fig. T56 - 410

Countershaft Extension Fig. T56 - 420

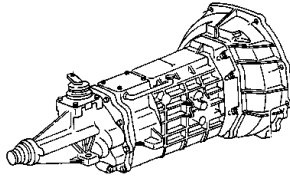
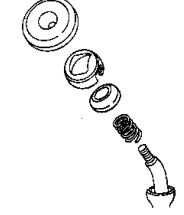
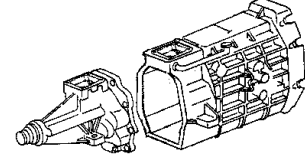
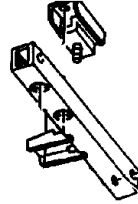
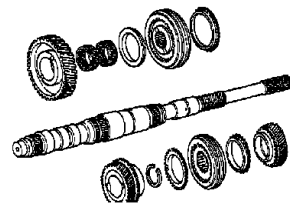
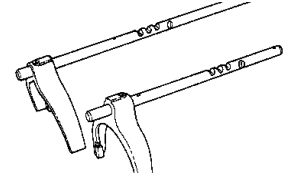
Reverse Idler & Driven Gears Fig. T56 - 430

Forks and Rails

Shift Forks & Rails Fig. T56 - 910

Gear Shift Controls

Gear Shift Fig. T56 - 1210

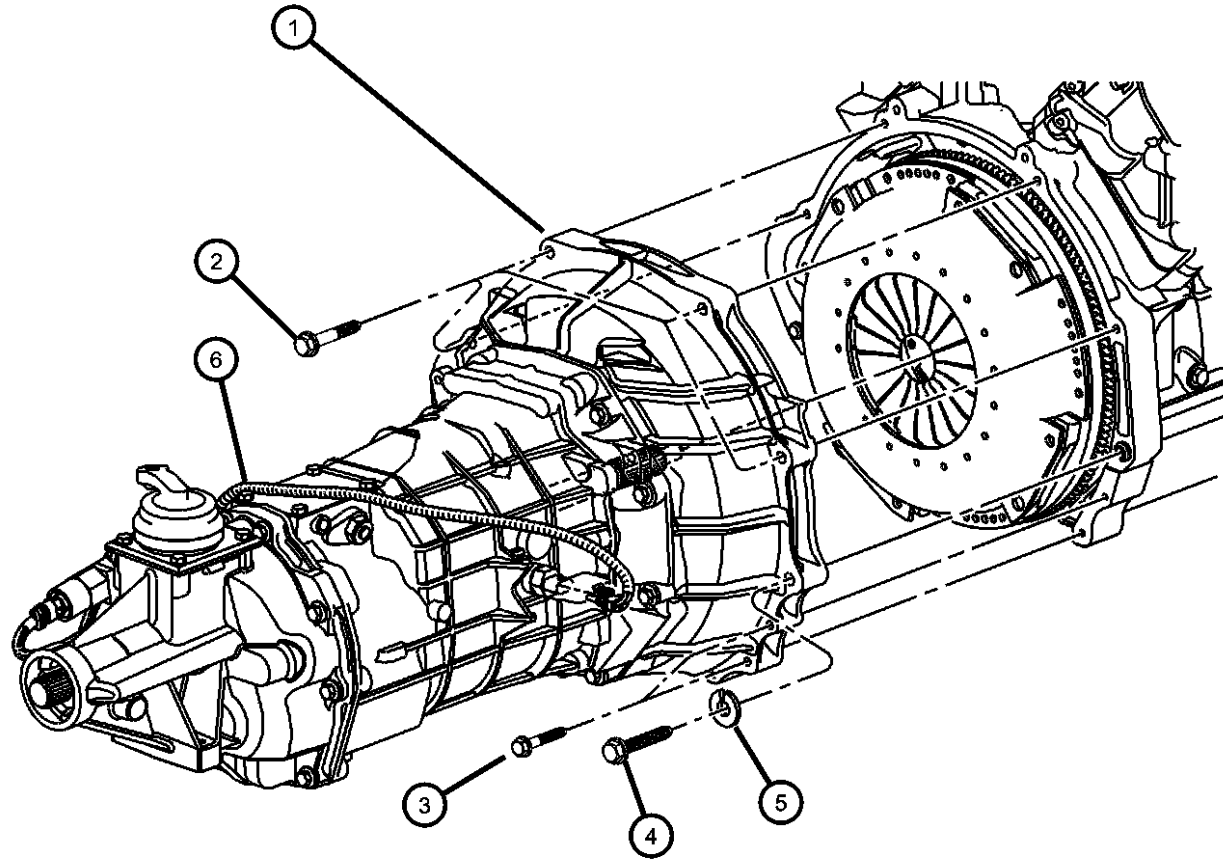
<p>T56-100 Transmission</p> 	<p>T56-1200 Gear Shift Controls</p> 	<p>T56-200 Case & Extension</p> 	<p>T56-300 Transmission Mounting</p> 
<p>T56-400 Gear Train</p> 	<p>T56-900 Forks and Rails</p> 		

**Transmission Assembly
Figure T56-110**

ITEM	PART NUMBER	QTY	LINE	SERIES	BODY	ENGINE	TRANS	TRIM	DESCRIPTION
------	-------------	-----	------	--------	------	--------	-------	------	-------------

NOTE: Service Transmission Does Not Include Clutch Housing.
Sales Code:
[DEC]=6 Speed Manual Transmission

1	05093033AA	1					DEC		TRANSMISSION, 6 speed
2	00153371	4							BOLT, Hex Head, .375-16x2.25
3	00154927AA	4							SCREW
4	00181148	2							SCREW, Hex Head, .437-14x2.75
5	09417838	2							WASHER, Flat
6	04865928AB	1							WIRING, Transmission



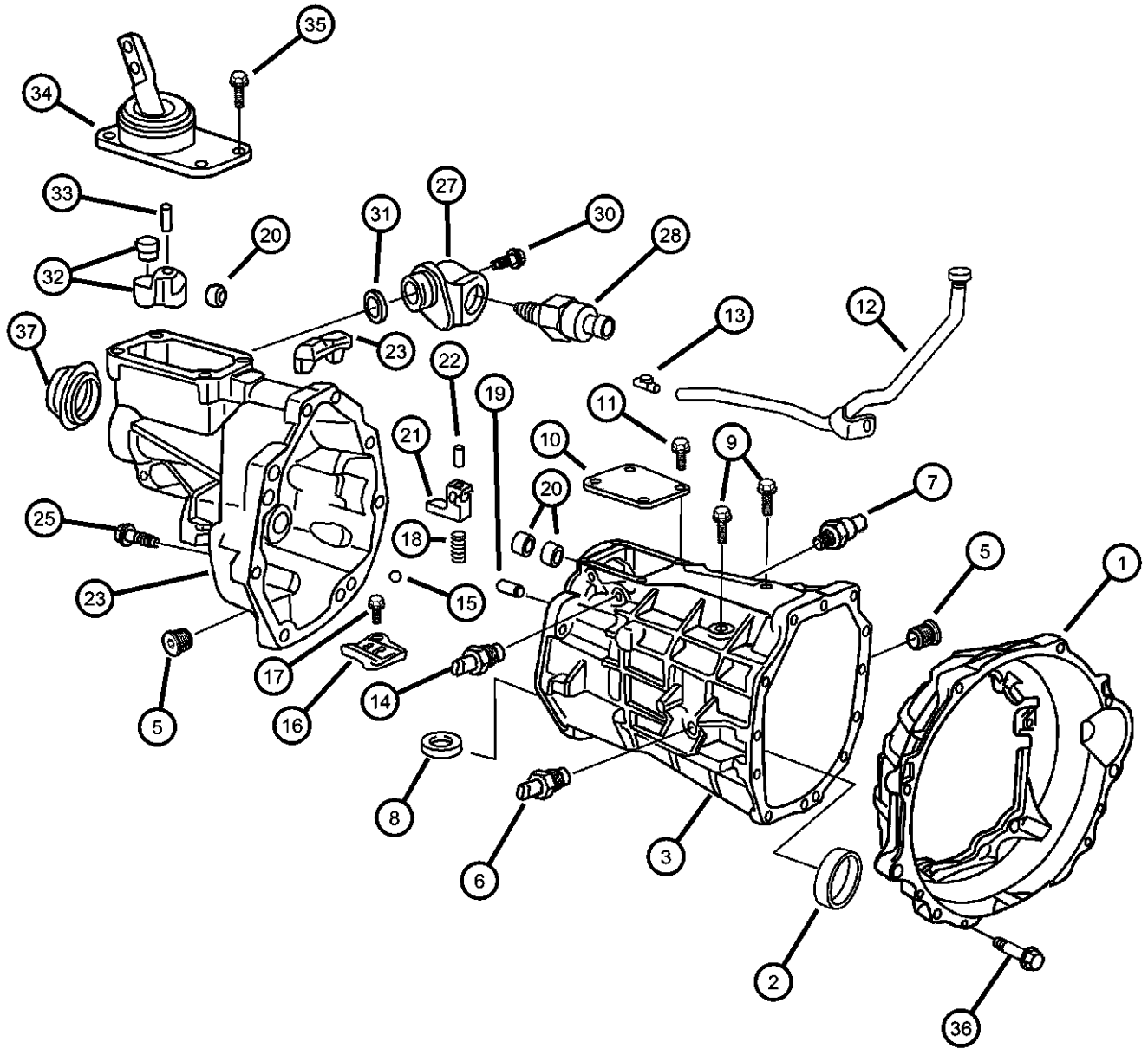
VIPER (ZB)

SERIES	LINE	BODY	ENGINE	TRANSMISSION
S = SRT-10	D = DODGE	27 = 2-DR CONVERTIBLE	EWC = Engine - 8.3L V10 SFI	DEC = 6-Speed Manual
X = Coupe		29 = SPECIALTY COUPE		DBB = All Manual Transmissions

AR = use ase required - = Non illustrated part

2003 ZB

Case & Extension
Figure T56-210



ITEM	PART NUMBER	QTY	LINE	SERIES	BODY	ENGINE	TRANS	TRIM	DESCRIPTION
1	05093034AA	1					DEC		HOUSING, Clutch
2	04626462	1					DEC		CUP
3	04626460	1					DEC		CASE, Transmission
-4	04626573	1					DEC		BREATHER, Transmission Case
5	04626591	1					DEC		PLUG, Oil Fill
6	04626593	1					DEC		SWITCH, Back Up Lamp
7	04626572	1					DEC		SOLENOID, Transmission Skip Shift
8	04626567	1					DEC		MAGNET, Transmission
9	04626508	2					DEC		BOLT, Shift Lever Guide
10	04626569	1					DEC		PLATE, Transmission Shifter
11	04626571	4					DEC		BOLT, Shifter Cover
12	04626592	1					DEC		VENT, Transmission Pipe
13	04626570	1					DEC		CLIP, Vent Tube
14	04626577	1					DEC		DETENT, Gearshift
15	04626526	1					DEC		BALL, Check
16	04626521	1					DEC		PLATE, Transmission Shifter
17	04626527	2					DEC		BOLT
18	04626523	1					DEC		SPRING, Detent Offset
19	04626513	2					DEC		DOWEL, Transmission Case
20	04626512	1					DEC		BUSHING, Shift Rail
21	04626579	1					DEC		LEVER, OffsetFront
22	04626493	1					DEC		PIN, Roll
23	05093288AA	1					DEC		EXTENSION HOUSING, Transmission
-24	04626461	2					DEC		STUD, Extension Housing To Transmission Case.
25	04626520	6					DEC		BOLT, Transmission Case
-26	04626568	2					DEC		NUT, Transmission Case
27	04762005	1					DEC		HOUSING, Reverse lockout, Includes Reverse Lockout Solenoid
28	04746271	1					DEC		SOLENOID, Transmission, Reverse Lockout
-29	04762004	1					DEC		O RING
30	04762008	1					DEC		BOLT, Reverse Lockout Solenoid Mounting
31	04762004	1					DEC		O RING
32	05093271AA	1					DEC		LEVER, OffsetRear
33	04626493	1					DEC		PIN, Roll
34	04626588	1					DEC		LEVER, Gearshift

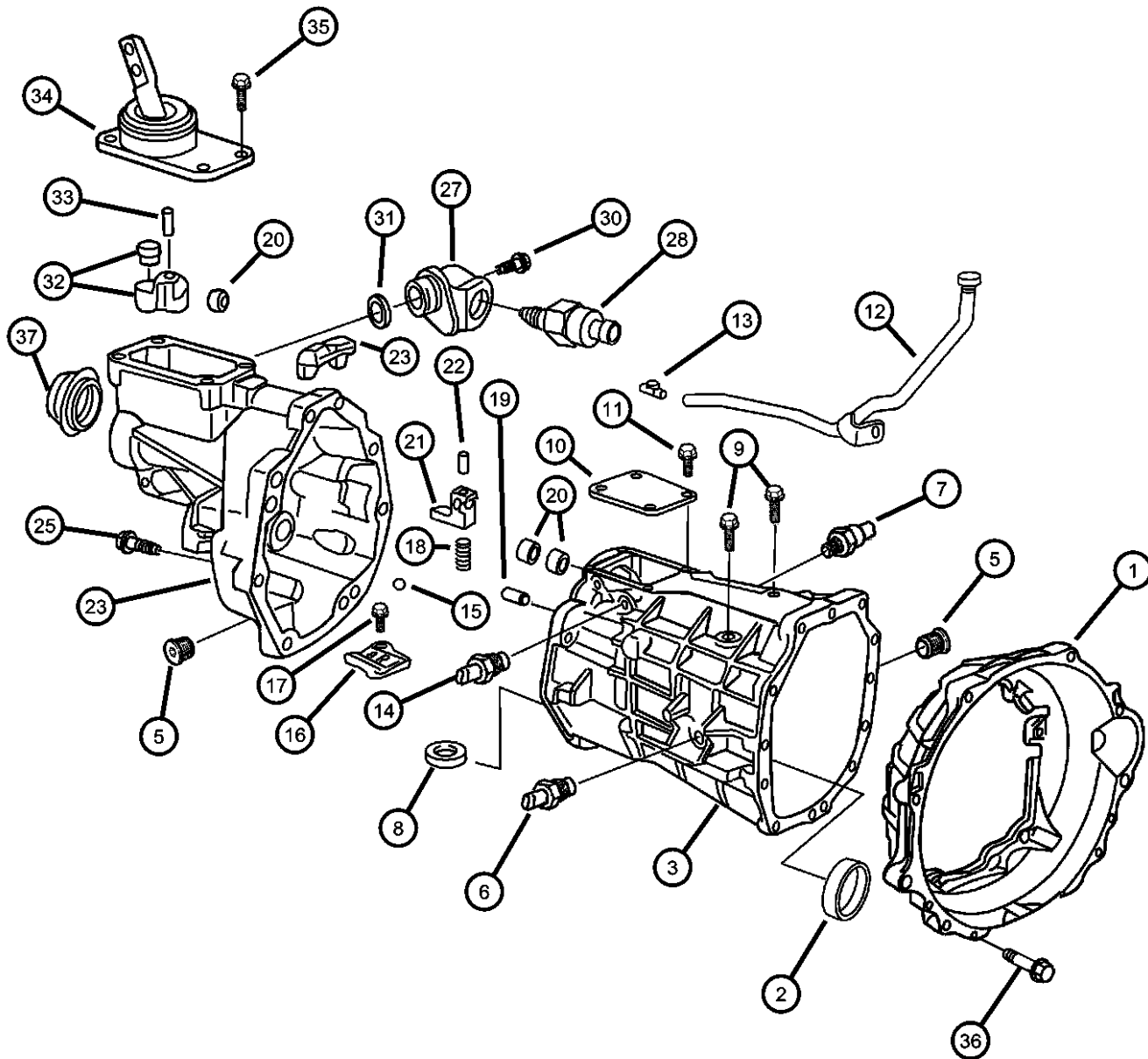
VIPER (ZB)

SERIES	LINE	BODY	ENGINE	TRANSMISSION
S = SRT-10	D = DODGE	27 = 2-DR CONVERTIBLE	EWC = Engine - 8.3L V10 SFI	DEC = 6-Speed Manual
X = Coupe		29 = SPECIALTY COUPE		DBB = All Manual Transmissions

AR = use ase required - = Non illustrated part

Case & Extension
Figure T56-210

ITEM	PART NUMBER	QTY	LINE	SERIES	BODY	ENGINE	TRANS	TRIM	DESCRIPTION
35	04626571	4					DEC		BOLT, Shifter Cover
36	04626520	8					DEC		BOLT, Transmission Case
37	04531216AB	1					DEC		SEAL, Output Shaft



VIPER (ZB)

SERIES
S = SRT-10
X = Coupe

LINE
D = DODGE

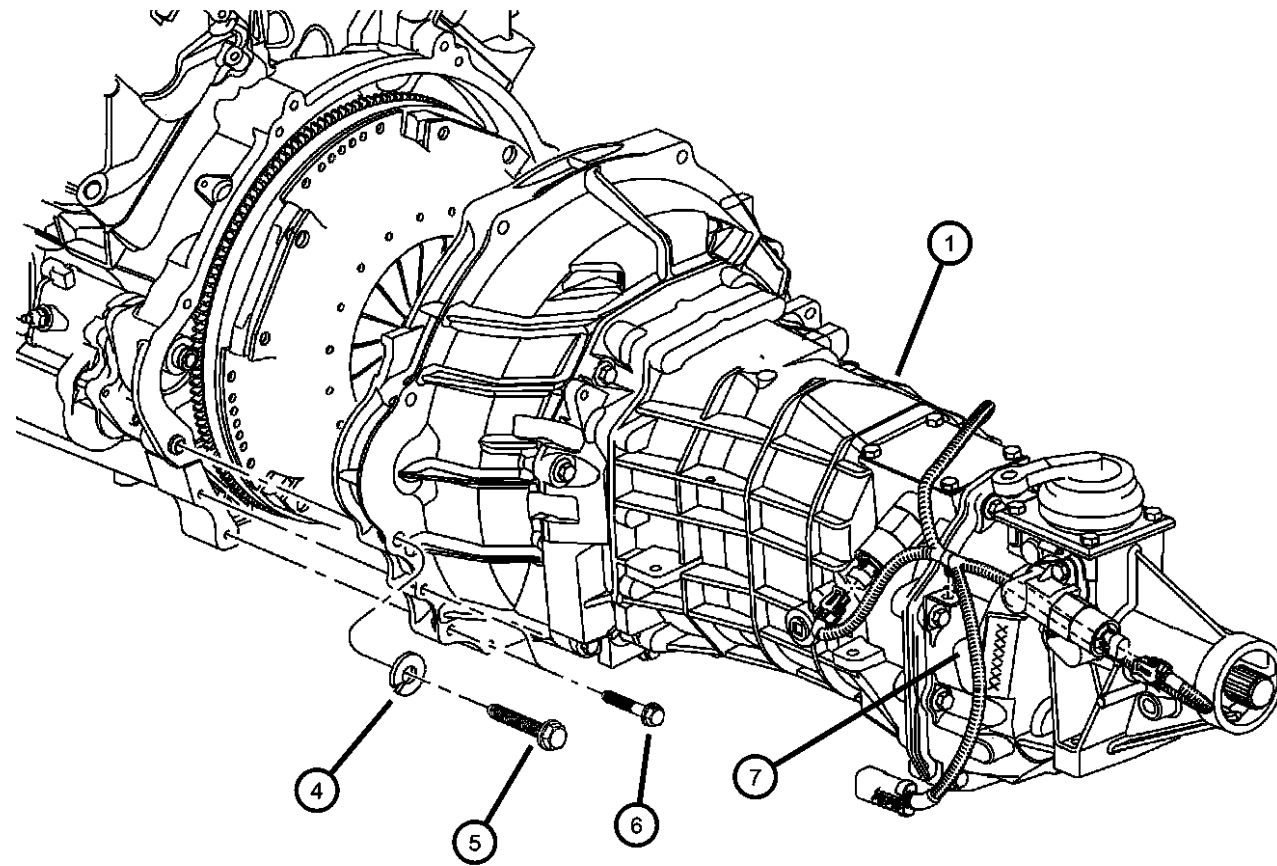
BODY
27 = 2-DR CONVERTIBLE
29 = SPECIALTY COUPE

ENGINE
EWC = Engine - 8.3L V10 SFI
TRANSMISSION
DEC = 6-Speed Manual
DBB = All Manual Transmissions

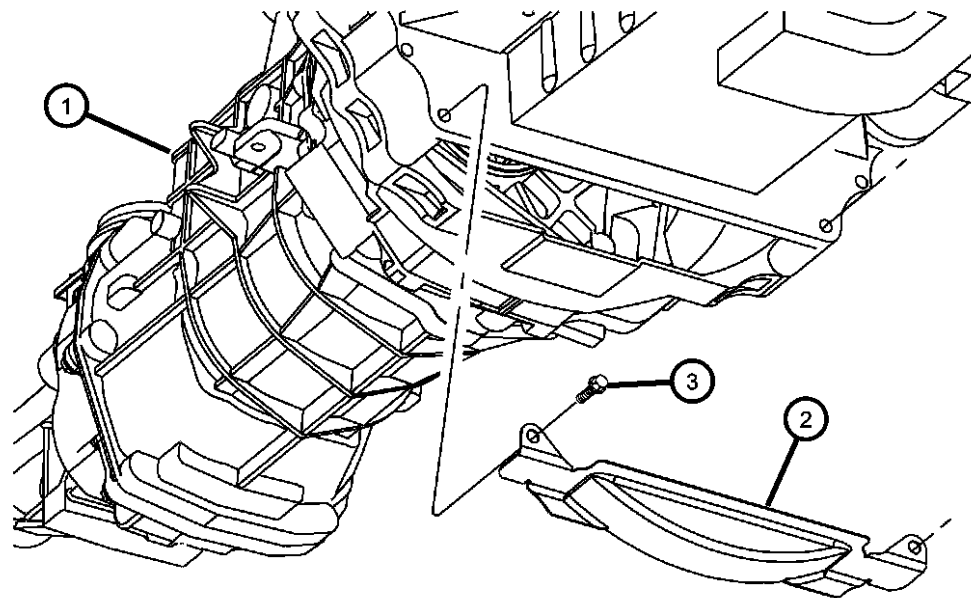
AR = use ase required - = Non illustrated part

2003 ZB

**Transmission Mounting
Figure T56-310**



ITEM	PART NUMBER	QTY	LINE	SERIES	BODY	ENGINE	TRANS	TRIM	DESCRIPTION
1	04531216AB	1							TRANSMISSION, 6 speed, See Illustration #110, (NOT SERVICED)
2	05037330AC	1							COVER, Transmission Dust
3	06035666	2							SCREW, Hex Flange Head, .25-20x1.00
4	09417838	2							WASHER, Flat
5	00181148	2							SCREW, Hex Head, .437-14x2.75
6	00154927AA	4							SCREW
7	04865928AB	1							WIRING, Transmission



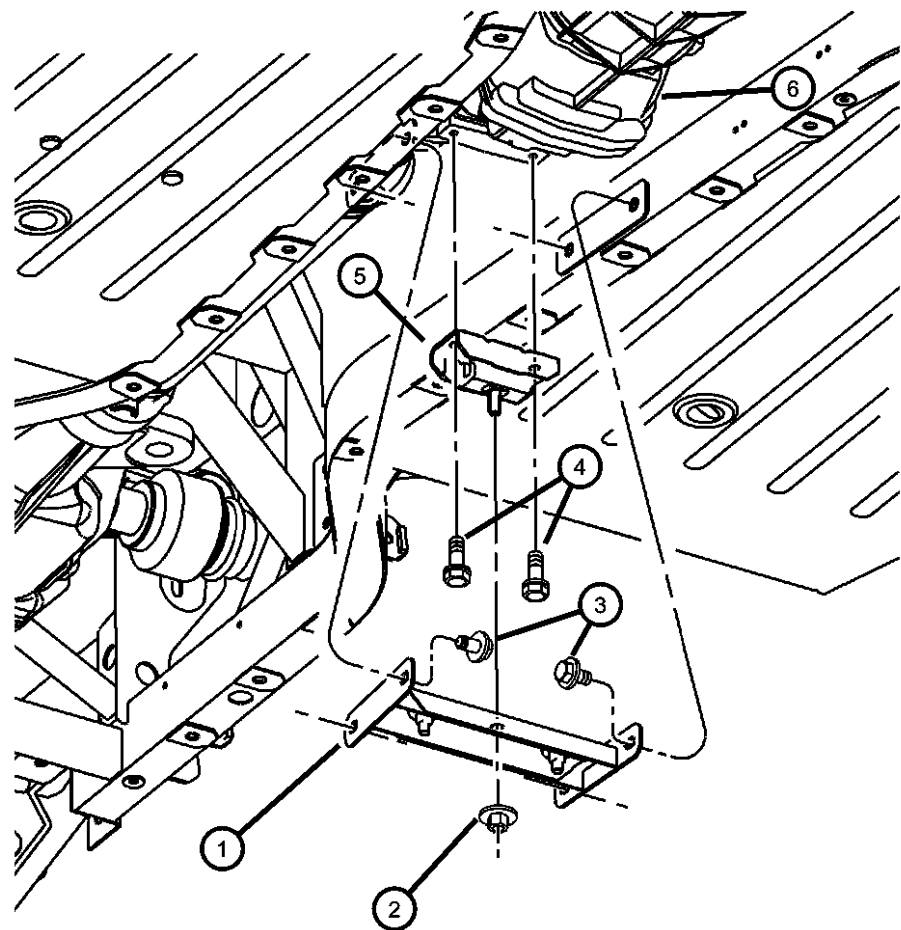
VIPER (ZB)

SERIES	LINE	BODY	ENGINE	TRANSMISSION
S = SRT-10	D = DODGE	27 = 2-DR CONVERTIBLE	EWC = Engine - 8.3L V10 SFI	DEC = 6-Speed Manual
X = Coupe		29 = SPECIALTY COUPE		DBB = All Manual Transmissions

AR = use ase required - = Non illustrated part

Transmission, Rear Mounting
Figure T56-320

ITEM	PART NUMBER	QTY	LINE	SERIES	BODY	ENGINE	TRANS	TRIM	DESCRIPTION
1	05037263AA	1							CROSSMEMBER, Transmission
2									NUT, Coned Washer, M10 x 1.50
	06101761	2							
		1							
3	06101058	4							BOLT AND WASHER, Hex Head, M10x1.50x20
4	06501596	2							SCREW AND WASHER, Hex Head, M10x1.5x45
5	04643318	1							MOUNT, Transmission
6	04643318	1							TRANSMISSION, 6 speed, See Illustration 110, (NOT SERVICED)



VIPER (ZB)

SERIES
S = SRT-10
X = Coupe

LINE
D = DODGE

BODY
27 = 2-DR CONVERTIBLE
29 = SPECIALTY COUPE

ENGINE
EWC = Engine - 8.3L V10 SFI

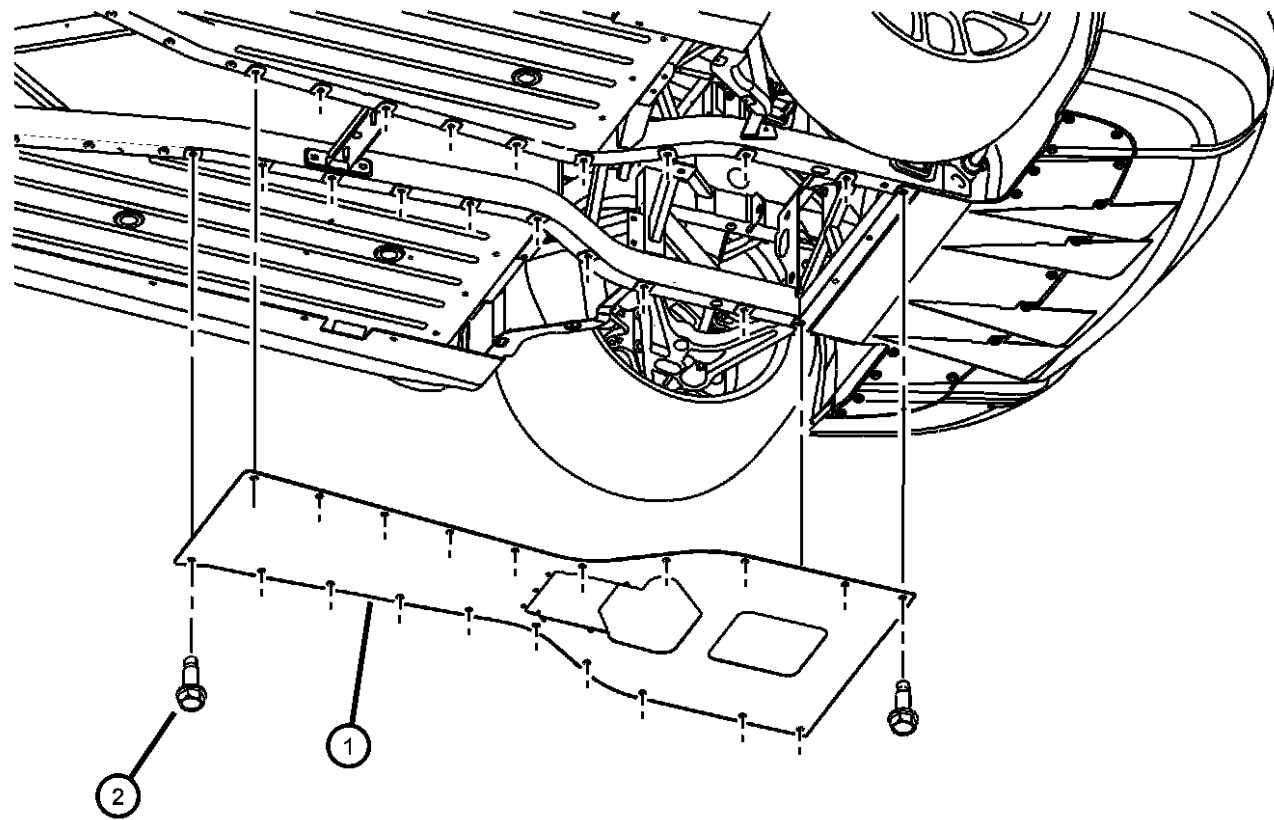
TRANSMISSION
DEC = 6-Speed Manual
DBB = All Manual Transmissions

AR = use ase required - = Non illustrated part

2003 ZB

**Skid Plate
Figure T56-330**

ITEM	PART NUMBER	QTY	LINE	SERIES	BODY	ENGINE	TRANS	TRIM	DESCRIPTION
1	05290078AA	1							BELLY PAN, Rear
2	06505070AA	20							SCREW, Pan Head



VIPER (ZB)
 SERIES
 S = SRT-10
 X = Coupe

LINE
 D = DODGE

BODY
 27 = 2-DR CONVERTIBLE
 29 = SPECIALTY COUPE

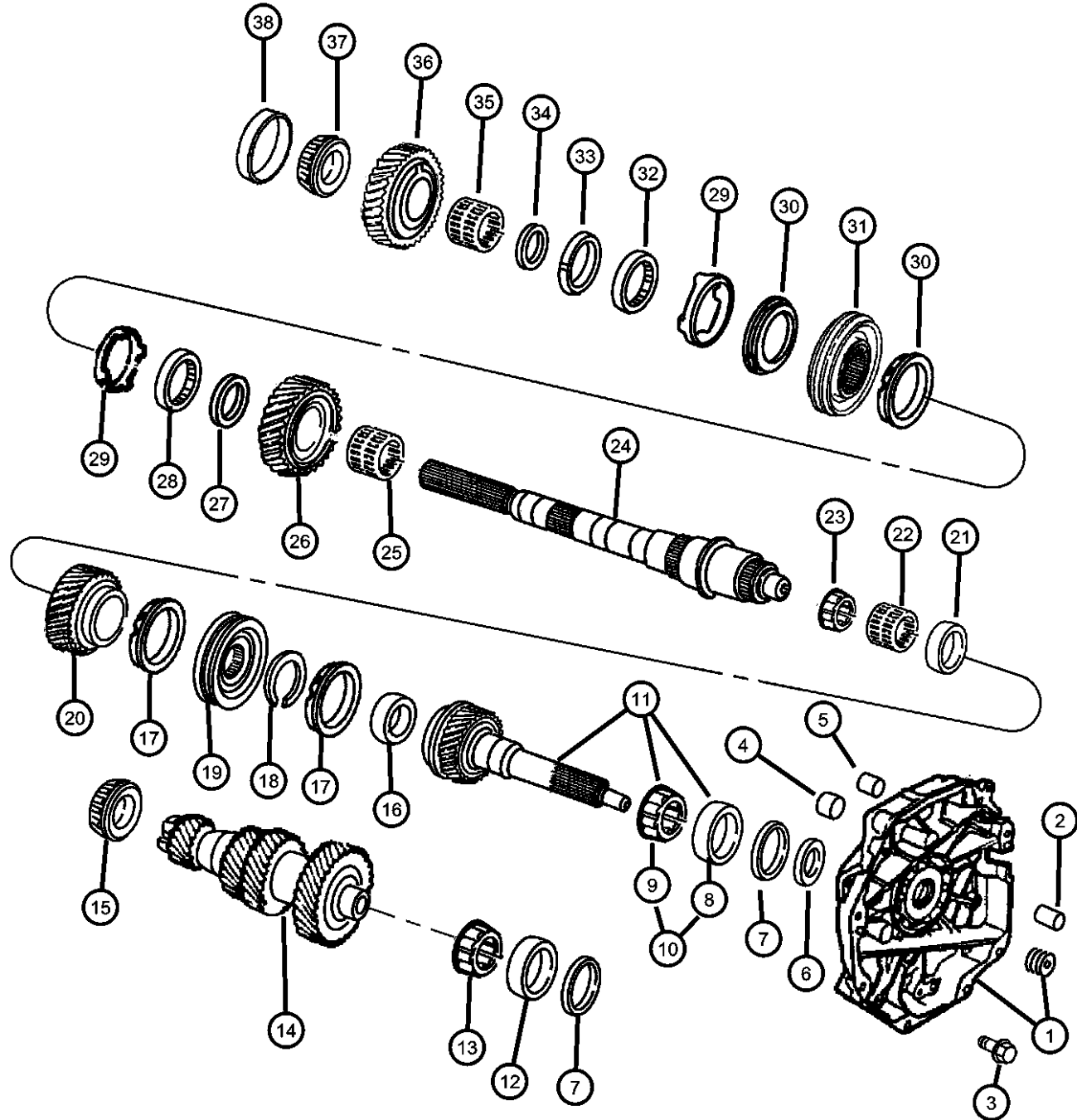
ENGINE
 EWC = Engine - 8.3L V10 SFI

TRANSMISSION
 DEC = 6-Speed Manual
 DBB = All Manual Transmissions

AR = use ase required - = Non illustrated part

2003 ZB

**Input Shaft, Mainshaft & Countershaft
Figure T56-410**



NOTE:

Shim Kit Contains All The Shims Required For Complete Transmission Repair.

Sales Codes:

[DEC]=6 Speed Manual Transmission

ITEM	PART NUMBER	QTY	LINE	SERIES	BODY	ENGINE	TRANS	TRIM	DESCRIPTION
1	05093265AA	1					DEC		ADAPTER, Transmission
2	04626514	2					DEC		DOWEL, Transmission Case, Adapter Front
3	04626520	6					DEC		BOLT, Transmission Case
4	04626512	1					DEC		BUSHING, Shift Rail
5	04626513	2					DEC		DOWEL, Transmission Case
6	04626515	1					DEC		SEAL, Input Shaft
7	05018856AA	1					DEC		SHIM KIT, Transmission
8	04626490	1					DEC		CUP
9	04626510	1					DEC		CONE, Input Shaft
10	04626737	1					DEC		BEARING PACKAGE, Input Shaft
11	04626574AB	1					DEC		SHAFT PACKAGE, Input, Includes - Shaft, Bearing Cone & Cup
12	04626519	1					DEC		CUP, Countershaft Bearing
13	04626465	1					DEC		BEARING
14	05093255AA	1					DEC		COUNTERSHAFT
15	04626466	1					DEC		BEARINGRear
16	04626517	1					DEC		CUP
17	04626476	2					DEC		STOP RING, Synchronizer, 3rd & 4th Stop Ring
18	04626487	1					DEC		SNAP RING
19	05018859AA	1					DEC		SYNCHRONIZER, Third and Fourth
20	04626471	1					DEC		GEAR, Third
21	05093261AA	1					DEC		SPACER, Third Gear
22	04626469	2					DEC		NEEDLE BEARING
23	04626563	1					DEC		BEARING, Mainshaft Small Tapered
24	04626467	1					DEC		MAINSHAFT, Transmission
25	04626469	2					DEC		NEEDLE BEARING
26	04626478	1					DEC		GEAR, Second
27	04626486	2					DEC		THRUST WASHER, First And Second Gear
28	04626484	1					DEC		CONE, Inner
29	05093262AA	2					DEC		FRICION CONE, Second Gear Inner
30	04626483	2					DEC		RING, 1st and 2nd Speed Blocker

VIPER (ZB)

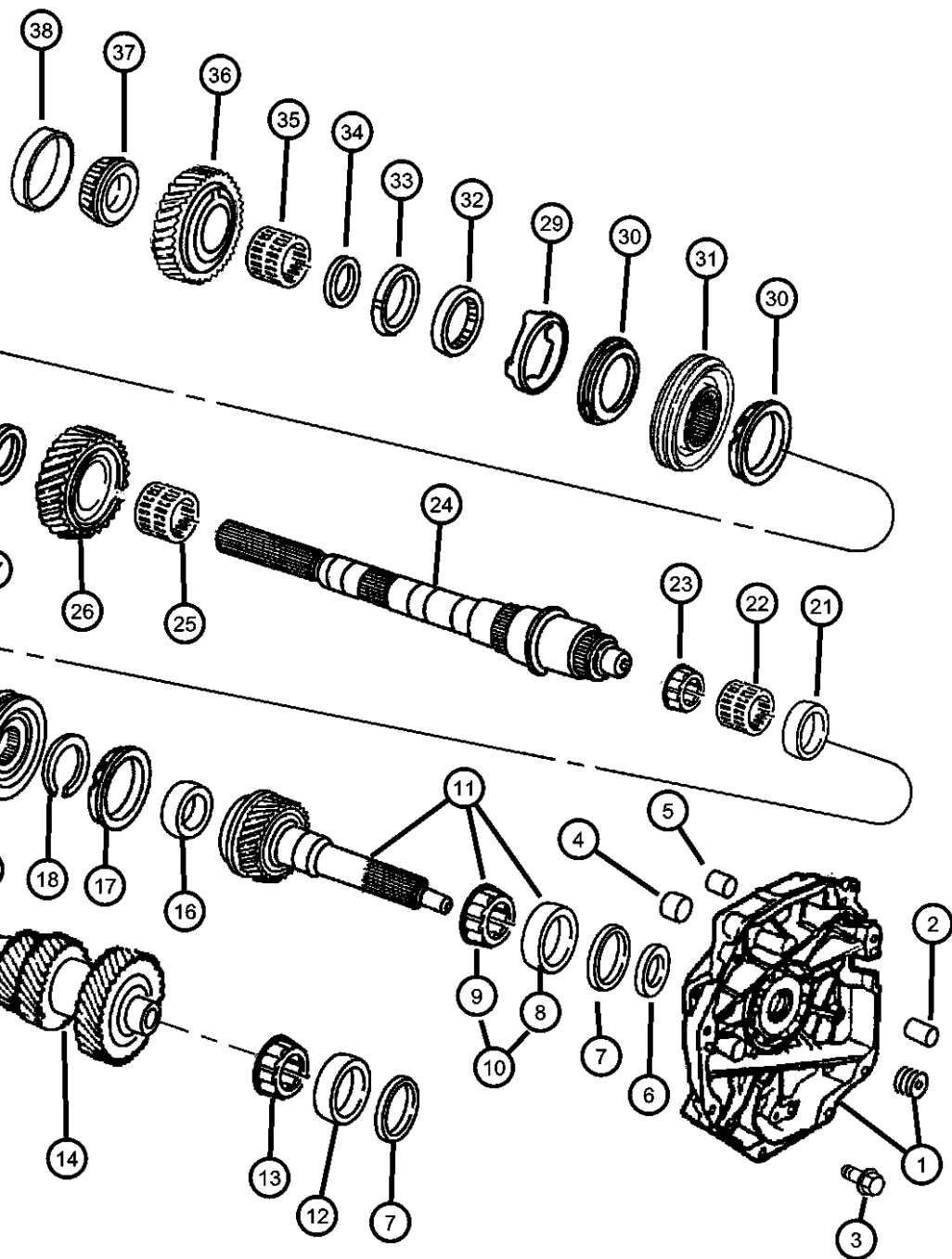
SERIES	LINE	BODY	ENGINE	TRANSMISSION
S = SRT-10	D = DODGE	27 = 2-DR CONVERTIBLE	EWC = Engine - 8.3L V10 SFI	DEC = 6-Speed Manual
X = Coupe		29 = SPECIALTY COUPE		DBB = All Manual Transmissions

AR = use ase required - = Non illustrated part

2003 ZB

**Input Shaft, Mainshaft & Countershaft
Figure T56-410**

ITEM	PART NUMBER	QTY	LINE	SERIES	BODY	ENGINE	TRANS	TRIM	DESCRIPTION
------	-------------	-----	------	--------	------	--------	-------	------	-------------



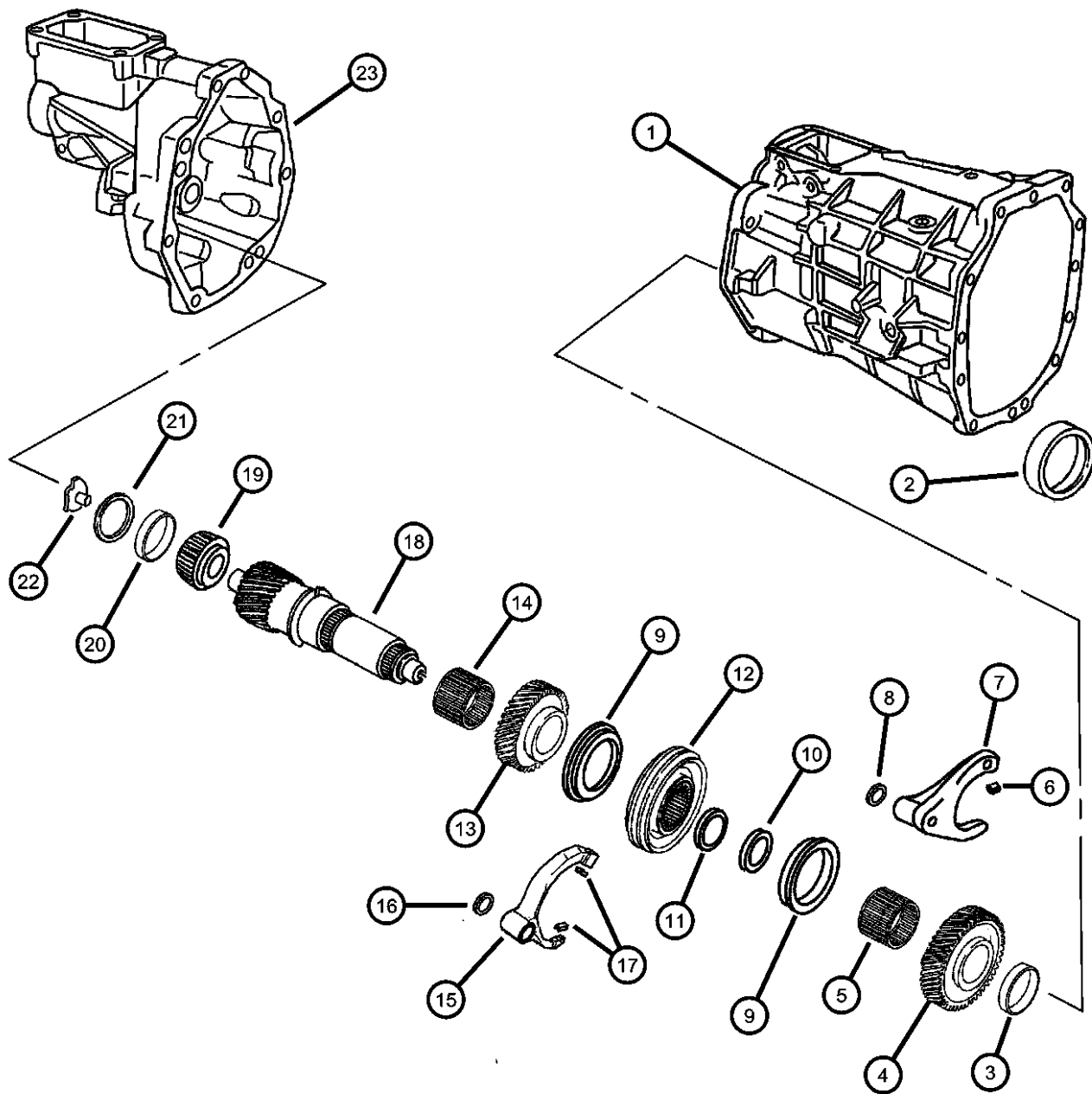
31	05018860AA	1					DEC		SYNCHRONIZER, First and Second
32	04626484	1					DEC		CONE, Inner
33	04626486	2					DEC		THRUST WASHER, First And Second Gear
34	04626536	1					DEC		SNAP RING
35	04626488	1					DEC		NEEDLE BEARING, First Gear
36	04626489	1					DEC		GEAR, First
37	04626490	1					DEC		CUP Bearing
38	04626463	1					DEC		CUP, Bearing Race

VIPER (ZB)

SERIES	LINE	BODY	ENGINE	TRANSMISSION
S = SRT-10	D = DODGE	27 = 2-DR CONVERTIBLE	EWC = Engine - 8.3L V10 SFI	DEC = 6-Speed Manual
X = Coupe		29 = SPECIALTY COUPE		DBB = All Manual Transmissions

AR = use ase required - = Non illustrated part

**Countershaft Extension
Figure T56-420**



ITEM	PART NUMBER	QTY	LINE	SERIES	BODY	ENGINE	TRANS	TRIM	DESCRIPTION
------	-------------	-----	------	--------	------	--------	-------	------	-------------

NOTE:
Shim Kit Contains All The Shims Required For Complete Transmission Repair
Internal Parts For Synchronizers Are Not Serviced.
Sales Codes:
[DEC]=6 Speed Manual Transmission

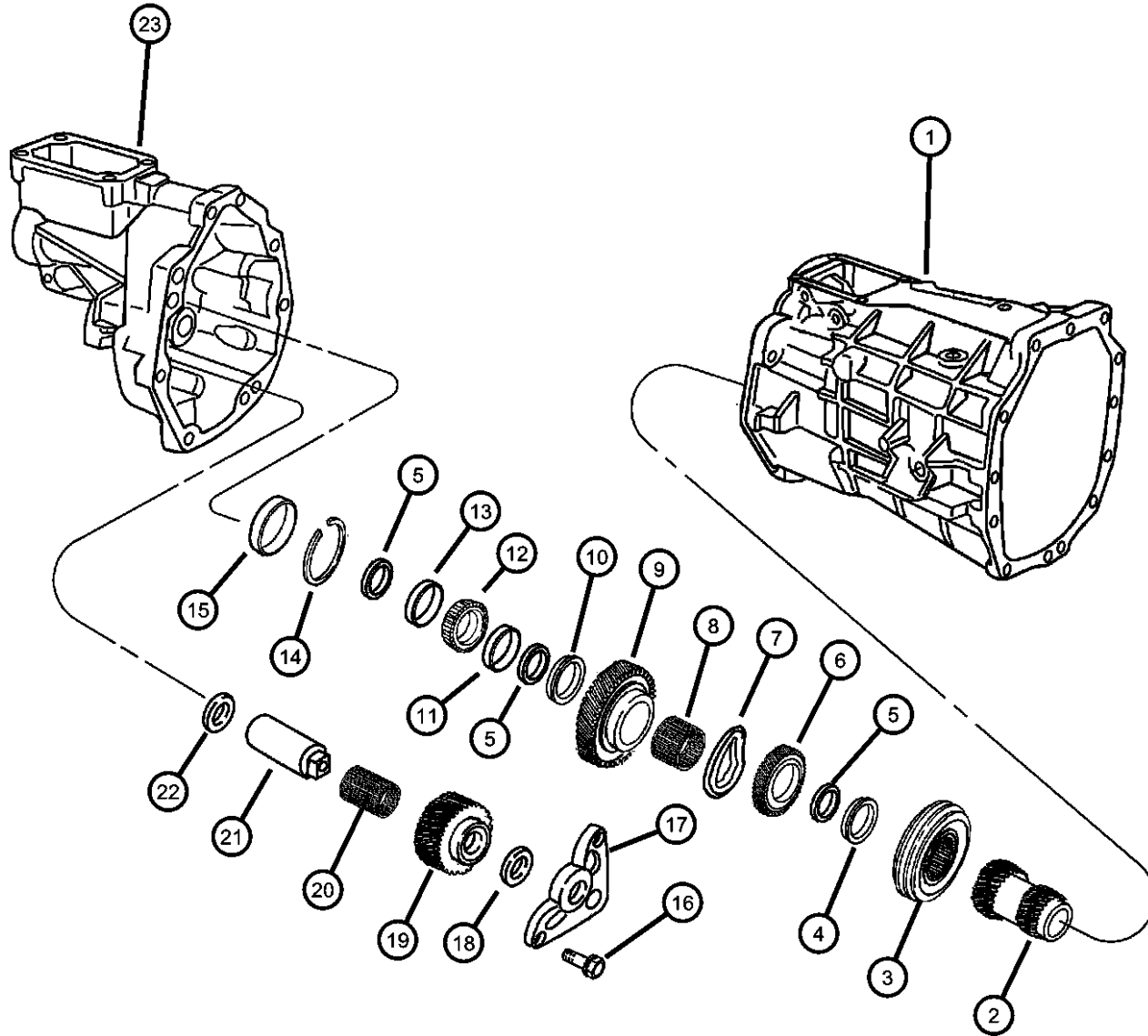
1	04626463	1							CASE, Transmission, See Illustration 210, (NOT SERVICED)
2	04626462	1					DEC		CUP
3	04626541	1					DEC		THRUST WASHER, Sixth Gear
4	05093272AA	1					DEC		GEAR, Sixth
5	04626538	1					DEC		BEARING, Sixth Gear
6	04626496	2					DEC		PAD, Shift Fork
7	04626553	1					DEC		FORK, Transmission
8	04626561	1					DEC		SNAP RING, Shift Fork
9	04626535	2					DEC		STOP RING, Synchronizer
10	04626537	1					DEC		SPACER, Sixth Gear
11	04626536	1					DEC		SNAP RING
12	05018863AA	1					DEC		SYNCHRONIZER, Fifth and Sixth
13	05093273AA	1					DEC		GEAR, Fifth
14	04626530	1					DEC		NEEDLE BEARING, Fifth Gear
15	04626540	1					DEC		FORK, Fifth Shift
16	04626542	1					DEC		SNAP RING, Shift Fork
17	04626496	2					DEC		PAD, Shift Fork
18	04626529	1					DEC		COUNTERSHAFT, Extension
19	04626468	1					DEC		BEARING
20	04626544	1					DEC		CUP
21	05018856AA	1					DEC		SHIM KIT, Transmission
22	04626545	1					DEC		FUNNEL, Counter Shaft
23	04626545	1							EXTENSION, Transmission, See Illustration 210, (NOT SERVICED)

VIPER (ZB)

SERIES	LINE	BODY	ENGINE	TRANSMISSION
S = SRT-10	D = DODGE	27 = 2-DR CONVERTIBLE	EWC = Engine - 8.3L V10 SFI	DEC = 6-Speed Manual
X = Coupe		29 = SPECIALTY COUPE		DBB = All Manual Transmissions

AR = use ase required - = Non illustrated part

**Reverse Idler & Driven Gears
Figure T56-430**



ITEM	PART NUMBER	QTY	LINE	SERIES	BODY	ENGINE	TRANS	TRIM	DESCRIPTION
NOTE: Internal Parts For Synchronizers Are Not Serviced. Sales Codes: [DEC]=6 Speed Manual Transmission									
1	04626545	1							CASE, Transmission, See Illustration 210, (NOT SERVICED)
2	04626552	1					DEC		GEAR, Fifth, Driven
3	05018865AA	1					DEC		SYNCHRONIZER, Reverse
4	04626555	1					DEC		WASHER, Reverse Thrust
5	04626536	1					DEC		SNAP RING
6	04626557	1					DEC		RING, Reverse Blocker
7	04626556	1					DEC		WASHER, Reverse Wave
8	04626558	1					DEC		NEEDLE BEARING, Reverse Gear
9	04626559	1					DEC		GEAR, Reverse
10	04626560	1					DEC		WASHER, Reverse Thrust
11	04626562	2					DEC		WASHER, Mainshaft
12	04626563	1					DEC		BEARING
13	04626562	2					DEC		WASHER, Mainshaft
14	04626564	1					DEC		SNAP RING, Mainshaft
15	04626463	1					DEC		CUP
16	04626527	3					DEC		BOLT
17	04626551	1					DEC		BRACKET, Reverse Idler Shaft
18	05093289AA	1					DEC		SNAP RING
19	04626548	1					DEC		GEAR, Reverse Idler
20	04626549	1					DEC		BEARING CONE, Idler Gear
21	04626547	1					DEC		IDLER SHAFT, Transmission
22	04626555	1					DEC		WASHER, Reverse Thrust
23	04626555	1							EXTENSION, Transmission, See Illustration 210, (NOT SERVICED)

VIPER (ZB)

SERIES	LINE	BODY	ENGINE	TRANSMISSION
S = SRT-10	D = DODGE	27 = 2-DR CONVERTIBLE	EWC = Engine - 8.3L V10 SFI	DEC = 6-Speed Manual
X = Coupe		29 = SPECIALTY COUPE		DBB = All Manual Transmissions

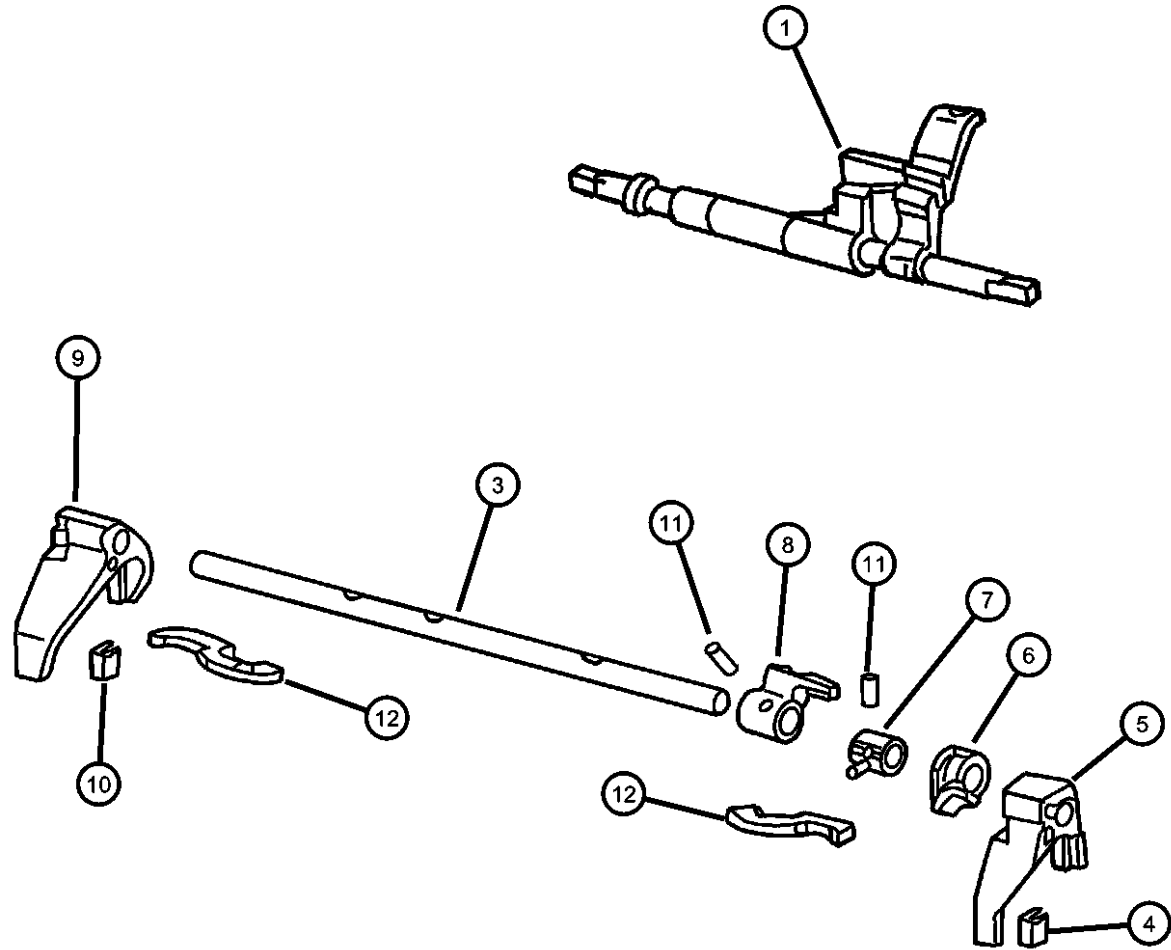
AR = use ase required - = Non illustrated part

Shift Forks & Rails
Figure T56-910

ITEM	PART NUMBER	QTY	LINE	SERIES	BODY	ENGINE	TRANS	TRIM	DESCRIPTION
------	-------------	-----	------	--------	------	--------	-------	------	-------------

NOTE:
No Service Parts For 5/6 & Reverse Shift Rail
Sales Codes:
[DEC]=6 Speed Manual Transmission

1	05018861AA	1					DEC		RAIL, Reverse Shift
-2	04626496	2					DEC		PAD, Shift Fork
3	04626498	1					DEC		RAIL, Top
4	04626502	2					DEC		PAD, Shift Fork
5	05018862AA	1					DEC		FORK, Third and Fourth
6	04626507	1					DEC		PLATE, Interlock
7	04626506	1					DEC		ARM, Gearshift Selector
8	05093271AA	1					DEC		LEVER, Offset, Skip Shift & Offset Lever
9	04626505	1					DEC		FORK, First and Second
10	04626502	2					DEC		PAD, Shift Fork
11	04626493	1					DEC		PIN, Roll
12	04626503	1					DEC		LINK, Shift
-13	04886342AA	1					DEC		CLIP
-14	04626587	1					DEC		O RING, Reverse Inhibitor, Manual Transmission
-15	04626586	1					DEC		SNAP RING, Reverse Inhibitor



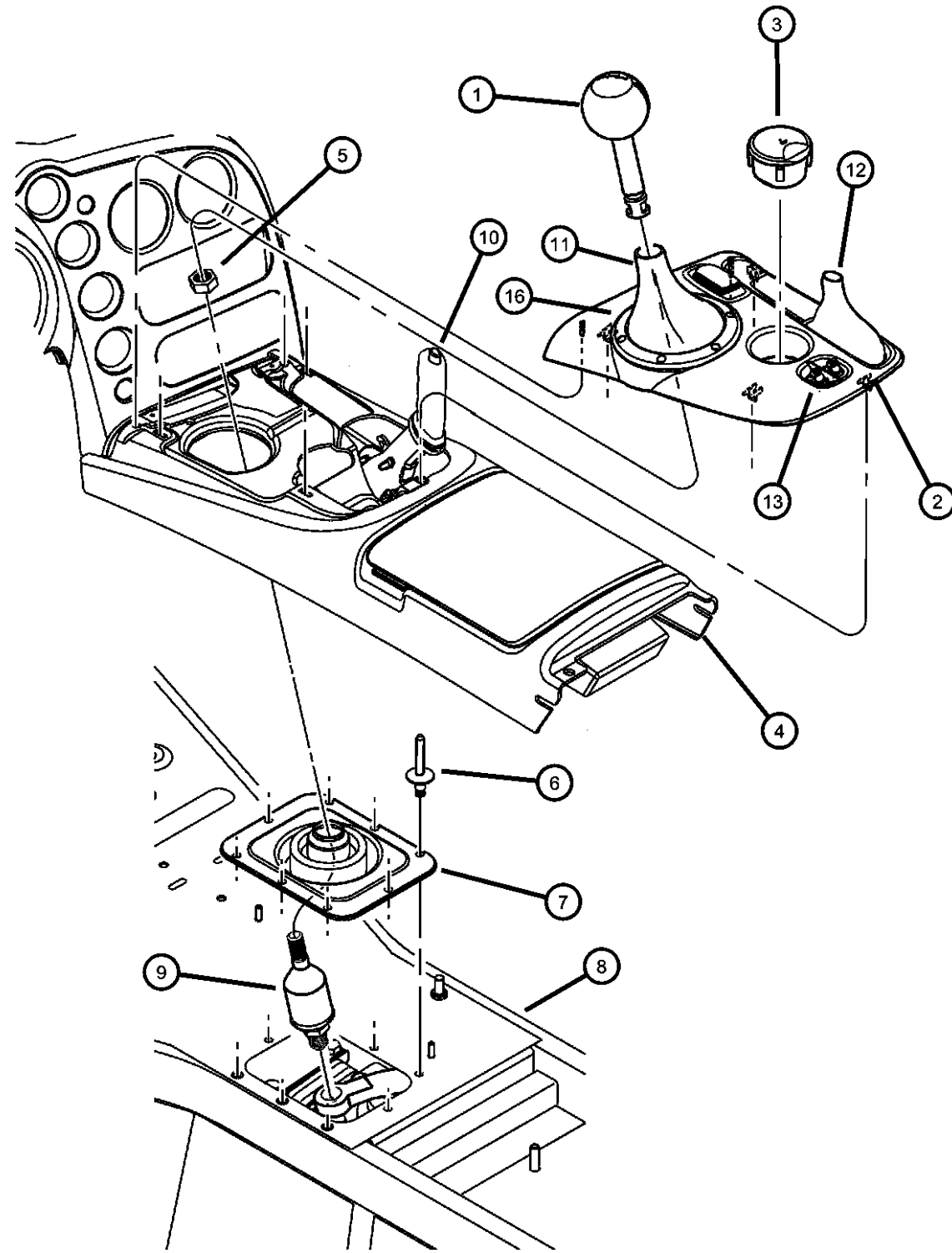
VIPER (ZB)

SERIES	LINE	BODY	ENGINE	TRANSMISSION
S = SRT-10	D = DODGE	27 = 2-DR CONVERTIBLE	EWC = Engine - 8.3L V10 SFI	DEC = 6-Speed Manual
X = Coupe		29 = SPECIALTY COUPE		DBB = All Manual Transmissions

AR = use ase required - = Non illustrated part

2003 ZB

**Gear Shift
Figure T56-1210**



ITEM	PART NUMBER	QTY	LINE	SERIES	BODY	ENGINE	TRANS	TRIM	DESCRIPTION
1	0SG081X9AA	1							KNOB, Gearshift, Flat Black (X9)
2	0XP181X9AA	1							BEZEL, Console Shifter
3	04595665AB	1							ASH RECEIVER, Floor Console
4	04595665AB	1							CONSOLE, Center, See Console Group, (NOT SERVICED)
5	00124934	1							NUT, Hex Jam, .50-20
6	00124934	1							RIVET, [.250X.367], (NOT SERVICED)
7	05037319AA	1							BOOT, Gearshift
8	05037319AA	1							FRAME, Chassis, See Chassis Group, (NOT SERVICED)
9	04709410	1							ISOLATOR, Shift Lever
10	04709410	1							HANDLE, Parking Brake, See Brake Group, (NOT SERVICED)
11	0XP191X9AA	1							BOOT, Gearshift
12	0XP201X9AA	1							BOOT, Parking Brake Lever
13	04608633AB	2							SWITCH, Window
-14	05093227AA	1							HOUSING, Switch
-15	05029097AC	1							BASE, Cigar Lighter
16	05093230AA	1							RING, Gearshift Boot Retaining Ring
-17	05093298AA	1							SCREW, Cap, Gearshift Boot Retaining Ring

VIPER (ZB)

SERIES	LINE	BODY	ENGINE	TRANSMISSION
S = SRT-10	D = DODGE	27 = 2-DR CONVERTIBLE	EWC = Engine - 8.3L V10 SFI	DEC = 6-Speed Manual
X = Coupe		29 = SPECIALTY COUPE		DBB = All Manual Transmissions

AR = use ase required - = Non illustrated part

Group - 22

Wheels, Covers and Jacks

Group - 22 Wheels, Covers and Jacks

Illustration Title

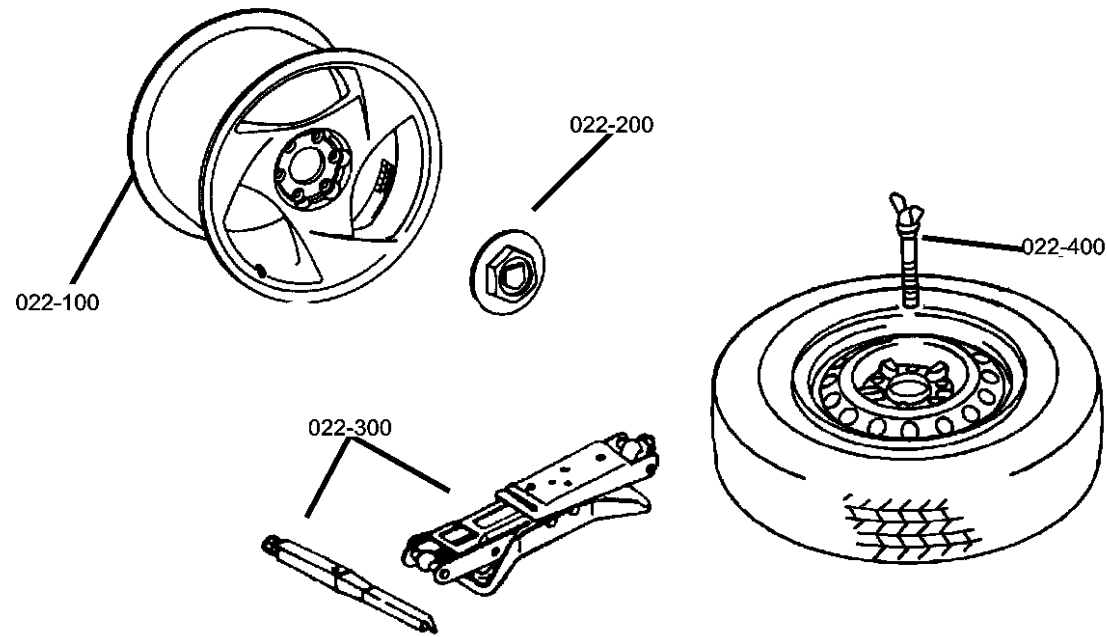
Group-Fig. No.

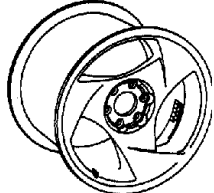

Wheels and Hardware

Wheels And Hardware.....Fig. 22 - 110

Wheel Covers and Center Caps

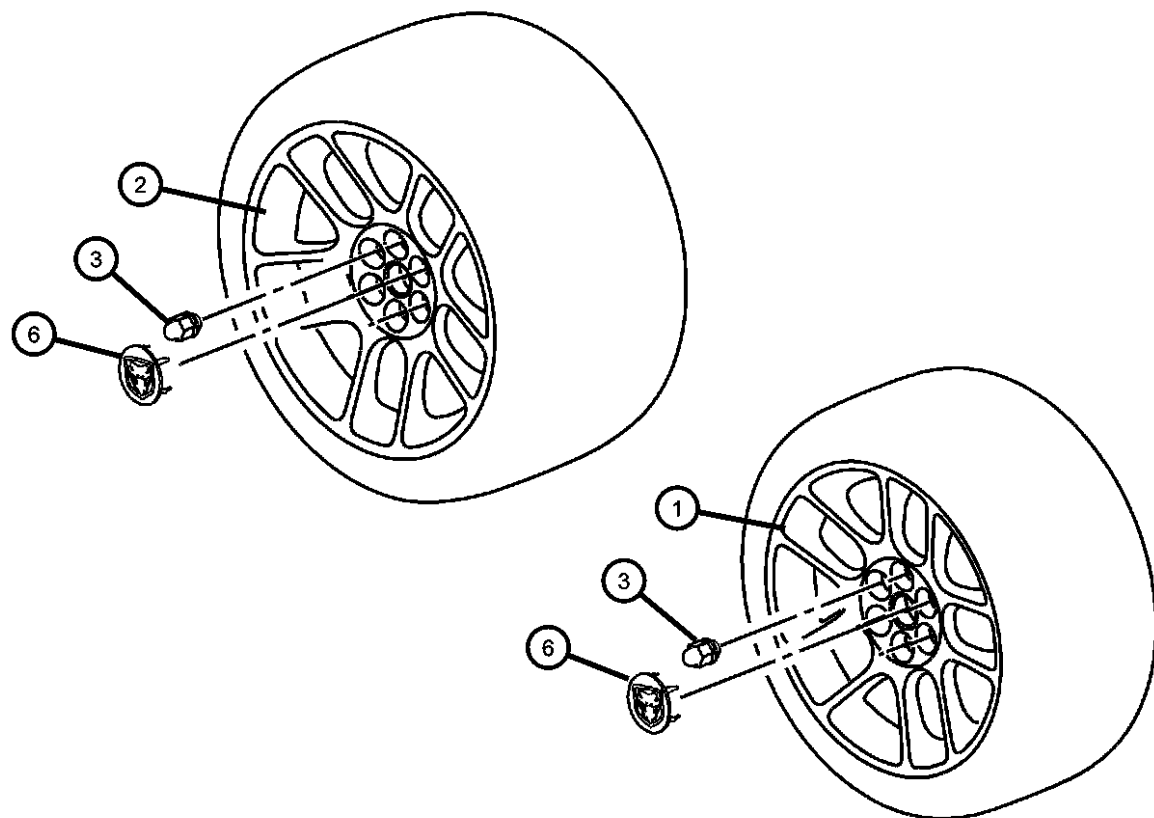
Caps, Wheel.....Fig. 22 - 210



<p>022-100 Wheels and Hardware</p> 	<p>022-200 Wheel Covers and Center Caps</p> 		
---	--	--	--

**Wheels And Hardware
Figure 22-110**

ITEM	PART NUMBER	QTY	LINE	SERIES	BODY	ENGINE	TRANS	TRIM	DESCRIPTION
1	0TW85XZAAA	1							WHEELFront
2	0TW89XZAAA	1							WHEELRear
3	06036310AA	24							NUT, Wheel, .50x20, Chrome
-4	52088990AA	1							SENSOR, Tire Pressure, Valve stem
-5	52088961AA	1							NUT, TIRE AIR PRESSURE SENSOR
6	0TW94XZAAA	4							CAP, Wheel Center
-7	05103357AA	1				27			CAP, Valve Stem, Chrome



VIPER (ZB)

SERIES
S = SRT-10
X = Coupe

LINE
D = DODGE

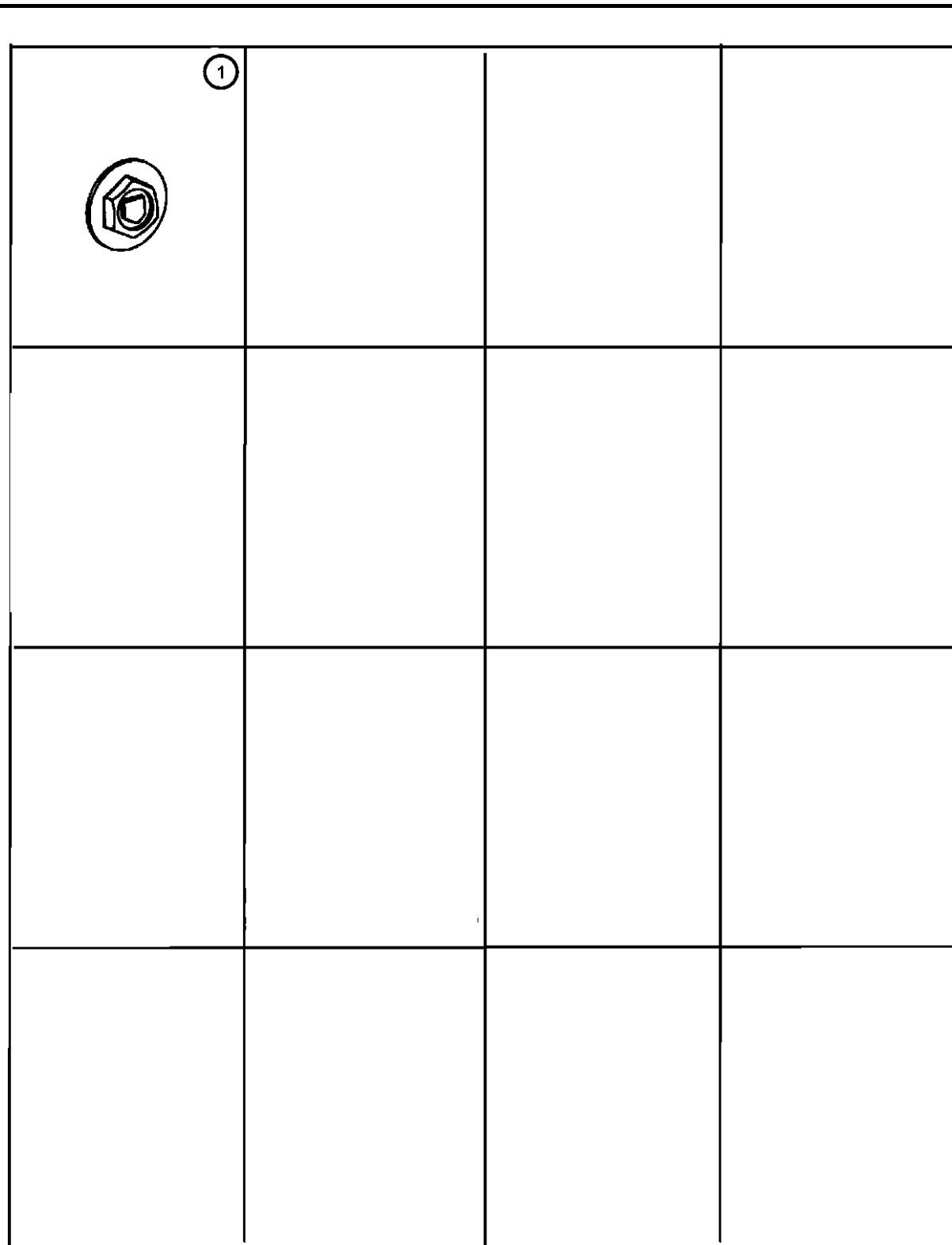
BODY
27 = 2-DR CONVERTIBLE
29 = SPECIALTY COUPE

ENGINE
EWC = Engine - 8.3L V10 SFI

TRANSMISSION
DEC = 6-Speed Manual
DBB = All Manual Transmissions

AR = use ase required - = Non illustrated part

**Caps, Wheel
Figure 22-210**



ITEM	PART NUMBER	QTY	LINE	SERIES	BODY	ENGINE	TRANS	TRIM	DESCRIPTION
------	-------------	-----	------	--------	------	--------	-------	------	-------------

NOTE: Sales Codes:
 [WPD] = 18" ALUMINUM - POLISHED
 [WPE] = 18" ALUMINUM - PAINTED

1 0TW94XZAAA 4

CAP, Wheel Center

VIPER (ZB)

SERIES
 S = SRT-10
 X = Coupe

LINE
 D = DODGE

BODY
 27 = 2-DR CONVERTIBLE
 29 = SPECIALTY COUPE

ENGINE
 EWC = Engine - 8.3L V10 SFI

TRANSMISSION
 DEC = 6-Speed Manual
 DBB = All Manual Transmissions

AR = use ase required - = Non illustrated part

Group - 23D

Wiper/Lock Cylinder and Keys

Group - 23D Wiper/Lock Cylinder and Keys

Illustration Title

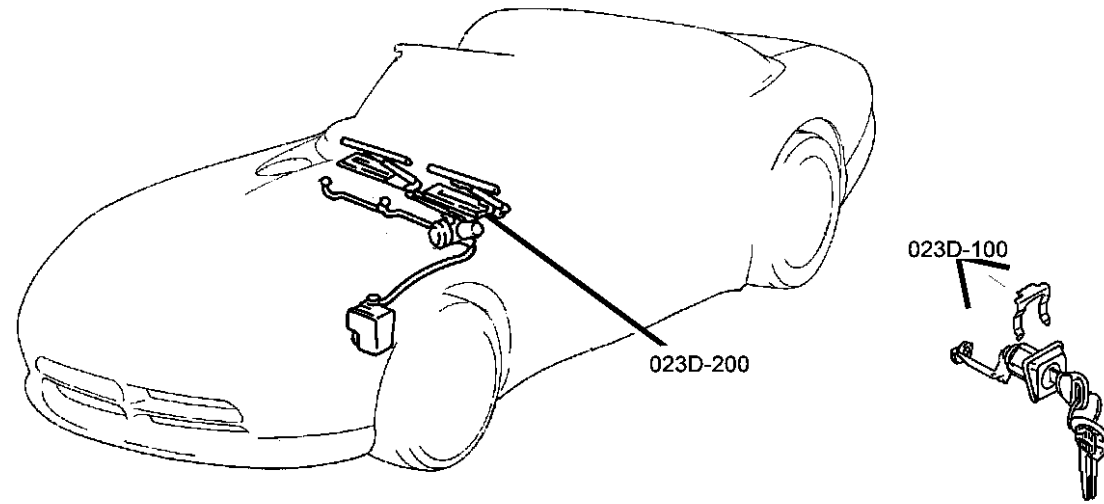
Group-Fig. No.

Lock Cylinders and Keys

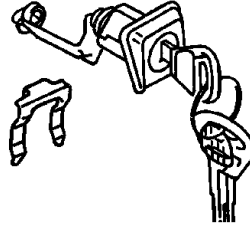
Lock Cylinders and KeysFig. 23D - 105

Windshield Wiper and Washer Systems

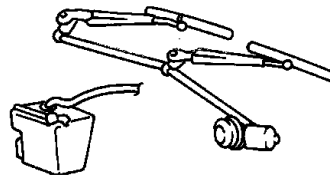
Windshield Wiper and WasherFig. 23D - 205



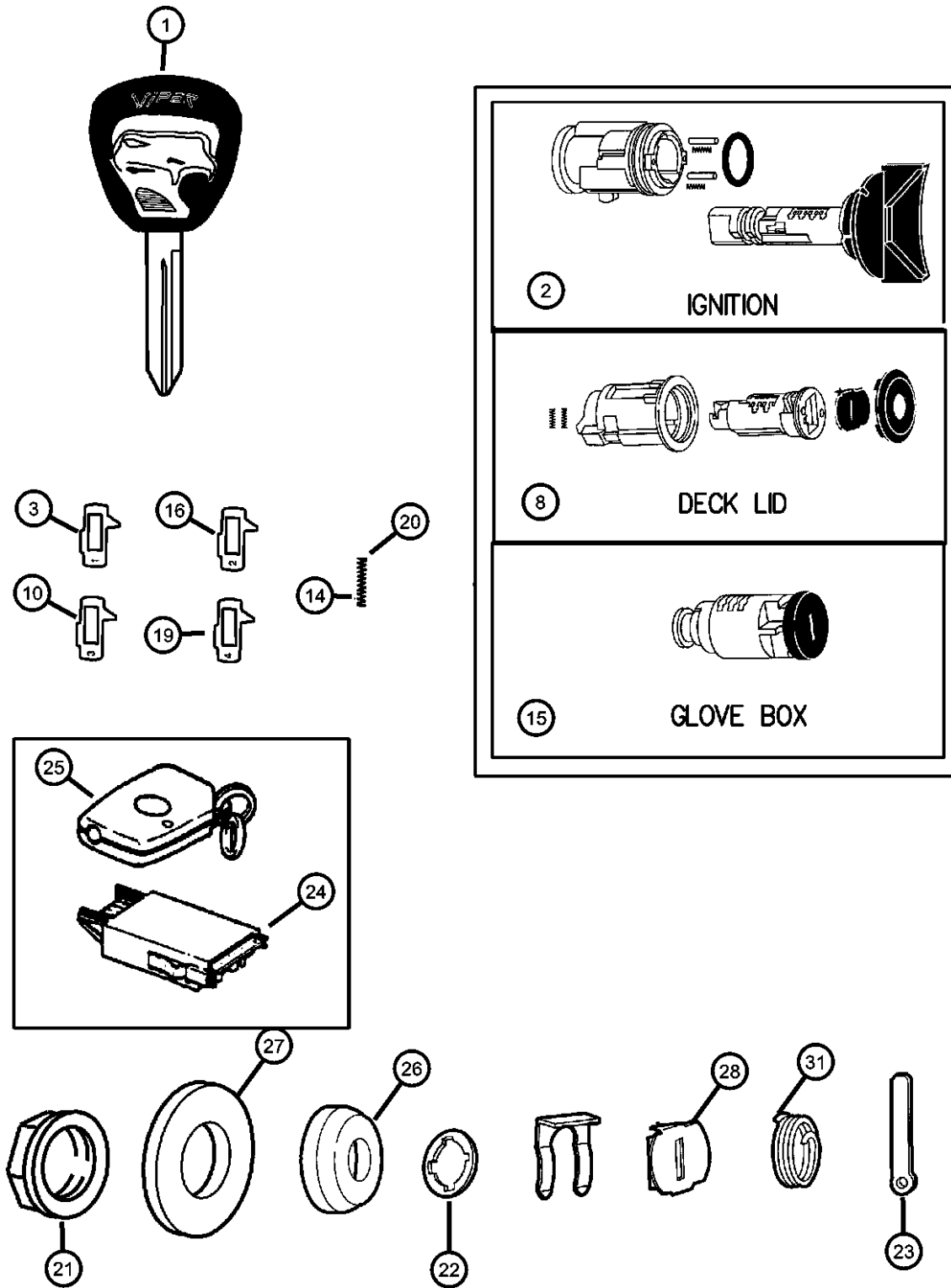
23D-100
Lock Cylinders and Keys



23D-200
Windshield Wiper and Washer Systems



**Lock Cylinders and Keys
Figure 23D-105**



NOTE: All Lock Cylinders are Uncoded

ITEM	PART NUMBER	QTY	LINE	SERIES	BODY	ENGINE	TRANS	TRIM	DESCRIPTION
1	05102103AA	1			27				KEY, Blank
2	05003843AB	1							CYLINDER, Ignition Lock
3	05010879AA	1							TUMBLER, Ignition Number 1, Sidebar
-4	05010880AA	1							TUMBLER, Ignition Number 2, Sidebar
-5	05010881AA	1							TUMBLER, Ignition Number 3, Sidebar
-6	05010882AA	1							TUMBLER, Ignition Number 4, Sidebar
-7	05010883AB	1							SPRING, Ignition Tumbler, Sidebar
8	04778147	1							CYLINDER, Deck Lid Lock
-9	05086729AA	1							CYLINDER, Door Lock
10	04778117	1							TUMBLER, Door and Deck Number 1, Wide
-11	04778118	1							TUMBLER, Door and Deck Number 2, Wide
-12	04778119	1							TUMBLER, Door and Deck Number 3, Wide
-13	04778120	1							TUMBLER, Door and Deck Number 4, Wide
14	04778121	1							SPRING, Door and Deck Tumbler
15	04778448	1							CYLINDER, Glove Box Lock
16	05257132	1							TUMBLER, Ignition Number 1
-17	05257133	1							TUMBLER, Ignition Number 2
-18	05257134	1							TUMBLER, Ignition Number 3
19	05257135	1							TUMBLER, Ignition Number 4
20	04746873	1							SPRING, Lock Cylinder Tumbler
21	04054202	1							NUT, Cylinder Lock
22	03695321	1							GASKET, Lock Cylinder
23	04723494	1							LEVER, Deck Lid Lock Cylinder
24	04686669AB	1							MODULE, Keyless Entry Receiver
25	04602260AA	2							TRANSMITTER, Keyless Entry
26	04778149	1							CAP, Door Lock Cylinder, Bright
27	04378799	1							CAP, Lock Cylinder, Large Black
28	05019605AA	1							SHUTTER, Lock Cylinder
-29	05080900AA	1							SHUTTER, Lock Cylinder
-30	05086732AA	1							LEVER
31	04378793	1							SPRING, Cylinder Return
-32	04865876AA	1							BRACKET, Key Cylinder

VIPER (ZB)

SERIES	LINE	BODY	ENGINE	TRANSMISSION
S = SRT-10	D = DODGE	27 = 2-DR CONVERTIBLE	EWC = Engine - 8.3L V10 SFI	DEC = 6-Speed Manual
X = Coupe		29 = SPECIALTY COUPE		DBB = All Manual Transmissions

AR = use ase required - = Non illustrated part

Group - 24

Air Conditioning & Heater

Group - 24 Air Conditioning & Heater

Illustration Title

Group-Fig. No.

Air Conditioner and Heater Units

Hevac Unit Fig. 24 - 120

Air Conditioner and Heater Plumbing

Heater Plumbing Fig. 24 - 210

Plumbing, A/C Unit Fig. 24 - 220

Air Conditioner and Heater Controls

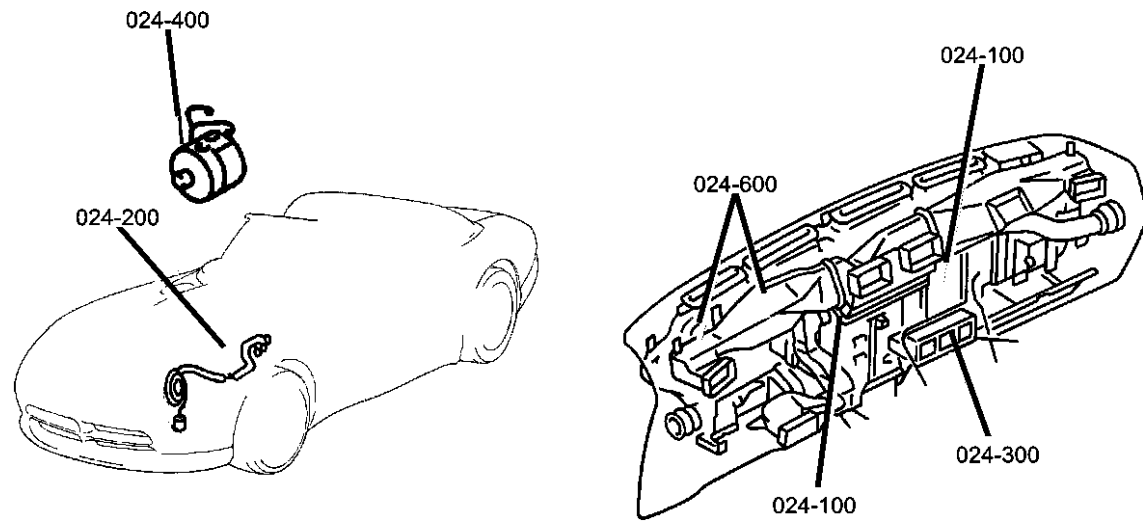
Control Assembly Fig. 24 - 310

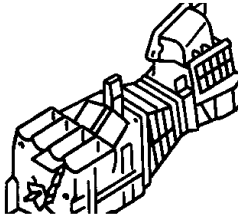
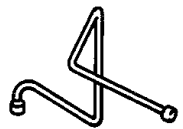
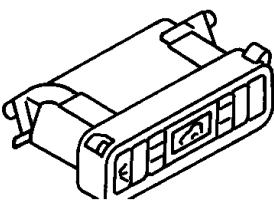
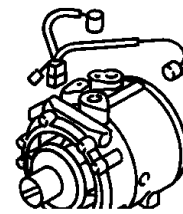
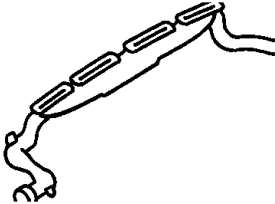
Air Conditioning Compressor

Compressor, A/C Fig. 24 - 410

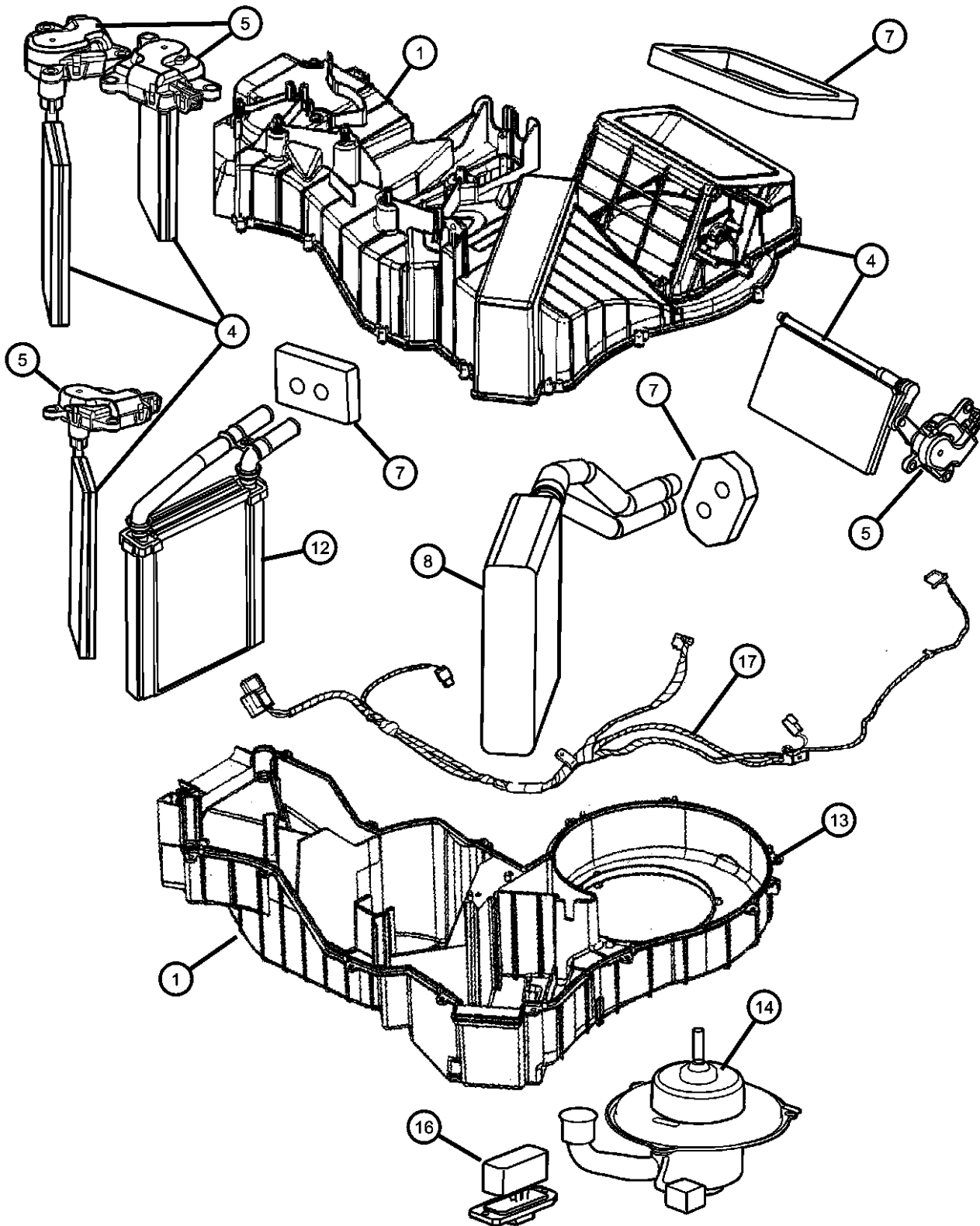
Air Ducts and Outlets

Vents And Outlets Fig. 24 - 610



<p>024-100 Air Conditioner and Heater Units</p> 	<p>024-200 Air Conditioner and Heater Plumbing</p> 	<p>024-300 Air Conditioner and Heater Controls</p> 	<p>024-400 Air Conditioning Compressor</p> 
<p>024-600 Air Ducts and Outlets</p> 			

Hevac Unit
Figure 24-120



ITEM	PART NUMBER	QTY	LINE	SERIES	BODY	ENGINE	TRANS	TRIM	DESCRIPTION
1	05093237AA	1							HOUSING, A/C And Heater, Includes Plates, Bracket, Shaft, Foot, Panel and Air Mix Doors, Clamp.
-2	06101442	1							U-NUT, M6 x 1.00, M6x1.00
-3	04720533	32							SCREW, Heater Housing
4	05093244AA	1							HOUSING, Air Inlet, Includes Servo, 2 Plate's, Door, Case, Screws
5	05019631AA	4							SERVO, A/C Temperature Door
-6	04720533	3							SCREW, Heater Housing
7	05093245AA	1							SEAL KIT, A/C And Heater Unit
8	05093246AA	1							EVAPORATOR, Air Conditioning
-9	05104821AA	1			27				DRAIN KIT, A/C and Heater, Tube and Grommet
-10	05093249AA	1							TUBE, Drain
-11	05029345AA	1			27				BRACKET, A/C Drain Tube
12	05093247AA	1							CORE, Heater
13	04720533	1							SCREW, Heater Housing
14	05093248AA	1							MOTOR, Blower with Wheel
-15	02837680	1							CLAMP, Blower Motor Wheel
16	05014212AA	1							RESISTOR, Blower Motor
17	05093250AA	1							WIRING, A/C and HEATER
-18	06504909AA	1			27				STUD, HVAC Unit mounting

VIPER (ZB)

SERIES
S = SRT-10
X = Coupe

LINE
D = DODGE

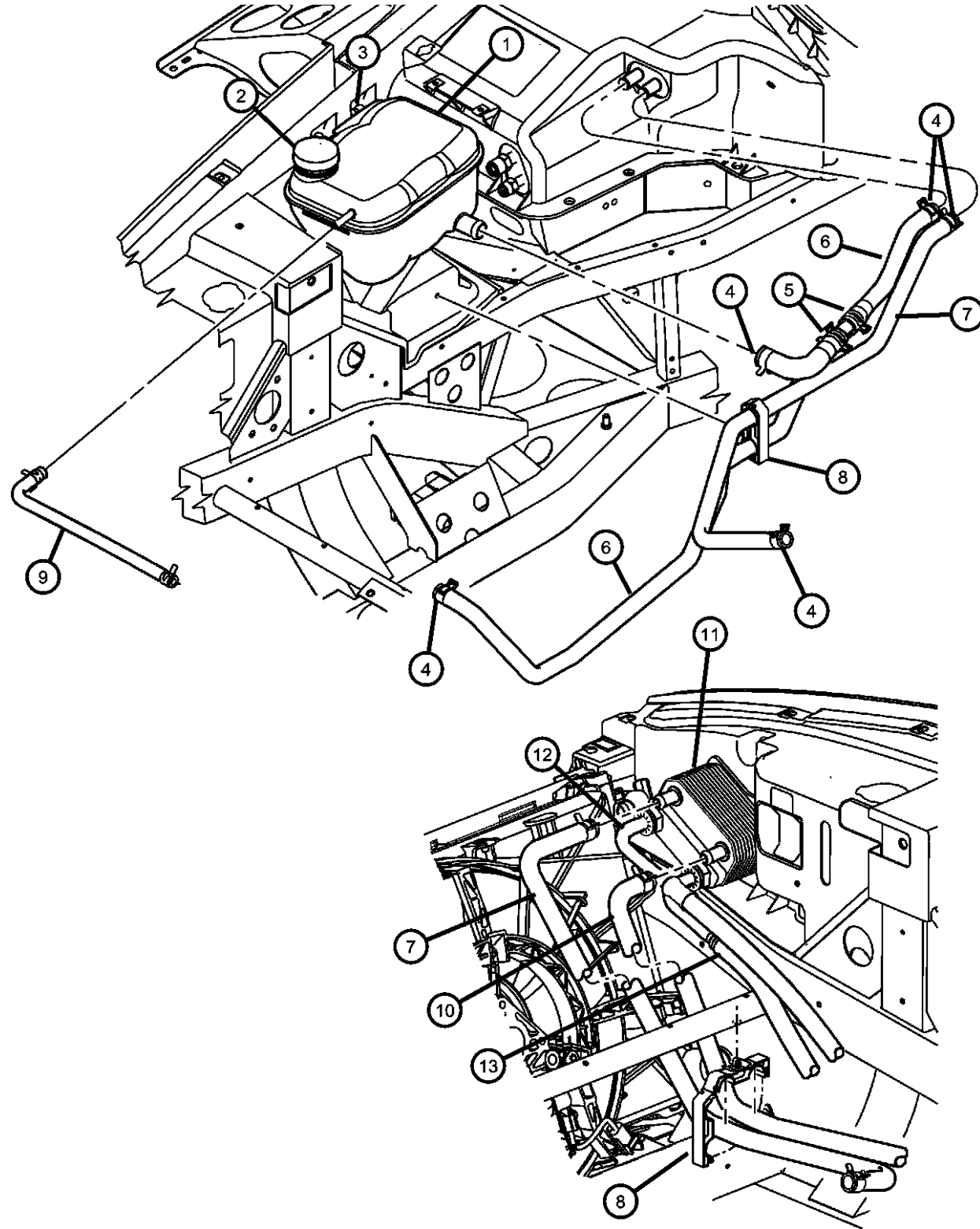
BODY
27 = 2-DR CONVERTIBLE
29 = SPECIALTY COUPE

ENGINE
EWC = Engine - 8.3L V10 SFI

TRANSMISSION
DEC = 6-Speed Manual
DBB = All Manual Transmissions

AR = use ase required - = Non illustrated part

Heater Plumbing Figure 24-210



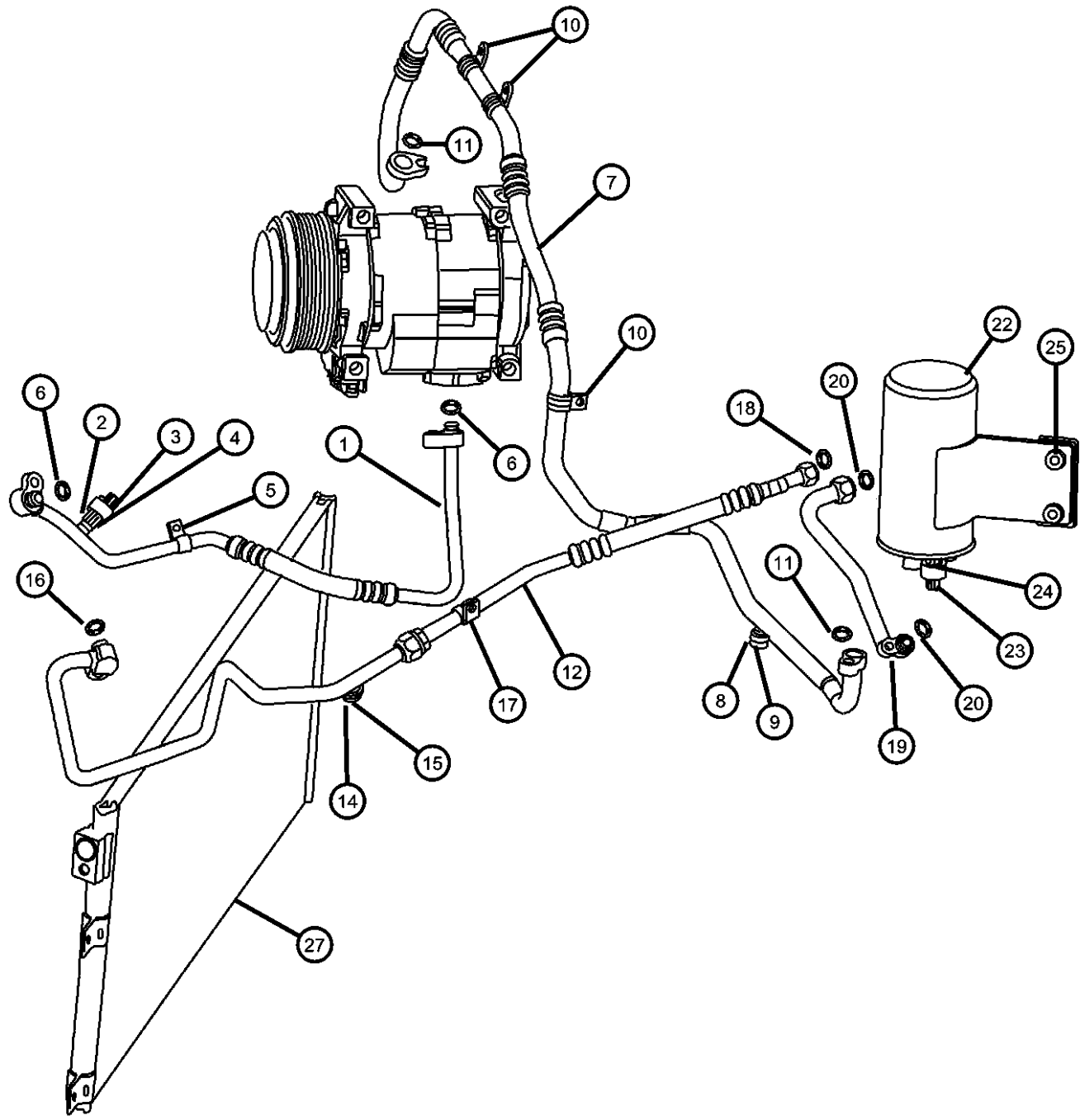
ITEM	PART NUMBER	QTY	LINE	SERIES	BODY	ENGINE	TRANS	TRIM	DESCRIPTION
NOTE: Sales Codes: [EWC] = 8.3L V10 SFI									
1	05043002AA	1							BOTTLE, Pressurized Coolant
2	04596198	1							CAP, Radiator
3	06503698	3							SCREW AND WASHER, Truss Head, M6-1.00x30.00
4	06503422	2			27				CLAMP, Supply Hose, 26 mm Diameter
5	06502018	3			27				CLAMP, Hose, M28.9 x 1.60
6	05037987AC	1			27				HOSE, Heater Return
7	05264929AB	1			27				HOSE, Heater Supply
8	05290217AA	1			27				CLIP, Heater Hose
9	05264931AA	1							HOSE, Coolant Bottle Inlet
10	05290218AA	1							HOSE, Oil Cooler Return
11	05290014AA	1							COOLER, Engine Oil
12	05290001AC	1			27				LINE, Oil Cooler Outlet
13	05290004AC	1			27				LINE, Oil Cooler Inlet

VIPER (ZB)

SERIES	LINE	BODY	ENGINE	TRANSMISSION
S = SRT-10	D = DODGE	27 = 2-DR CONVERTIBLE	EWC = Engine - 8.3L V10 SFI	DEC = 6-Speed Manual
X = Coupe		29 = SPECIALTY COUPE		DBB = All Manual Transmissions

AR = use ase required - = Non illustrated part

Plumbing, A/C Unit Figure 24-220



ITEM	PART NUMBER	QTY	LINE	SERIES	BODY	ENGINE	TRANS	TRIM	DESCRIPTION
1	05264927AA	1							LINE, A/C Discharge
2	05093080AA	1							TRANSDUCER, Air Conditioning
3	05011346AA	1							VALVE CORE, Service Port
4	05080519AA	1			27				O RING, A/C Line
5	05093079AA	1			27				CLIP, A/C Discharge Line
6	05072868AA	2							O RING, A/C Line
7	05264988AA	1							LINE, A/C Suction
8									VALVE CORE, Service Port
	05011346AA	1							
9		1			27				CAP, A/C Check Valve
	05019242AA	1							
10	05093081AA	3			27				CLIP, A/C Line
11	05072893AA	2							O RING, A/C Line
12	05264926AA	1							LINE, A/C Liquid
-13	05093077AA	1							ORIFICE, Liquid Line
14	05011346AA	1			27				VALVE CORE, Service Port
15	05072866AA	1							CAP, A/C Charge Valve
16	05015598AA	2							O RING, A/C Line
17	05093078AA	1							CLIP, A/C Liquid Line
18	05015603AA	1							O RING, A/C Line
19	05264928AA	1							LINE, A/C Suction
20	05072893AA	2							O RING, A/C Line
-21	06035877AA	2			27				SCREW AND WASHER, Hex Head, .25-20x.875, Suction Line attaching
22	05264990AA	1							ACCUMULATOR, Air Conditioning
23	05290274AA	1			27				SWITCH, A/C Low Pressure Cut Off
24	05096245AA	1			27				O RING, A/C Line
25	06501400	2			27				SCREW, Flange Head, M10x1.5x65, Accumulator attaching
-26	06101982	2							SCREW, Line to Accumulator
27	05093234AA	1			27				CONDENSER KIT, Air Conditioning
-28	00154910AA	3							SCREW, A/C Line attach to Frame

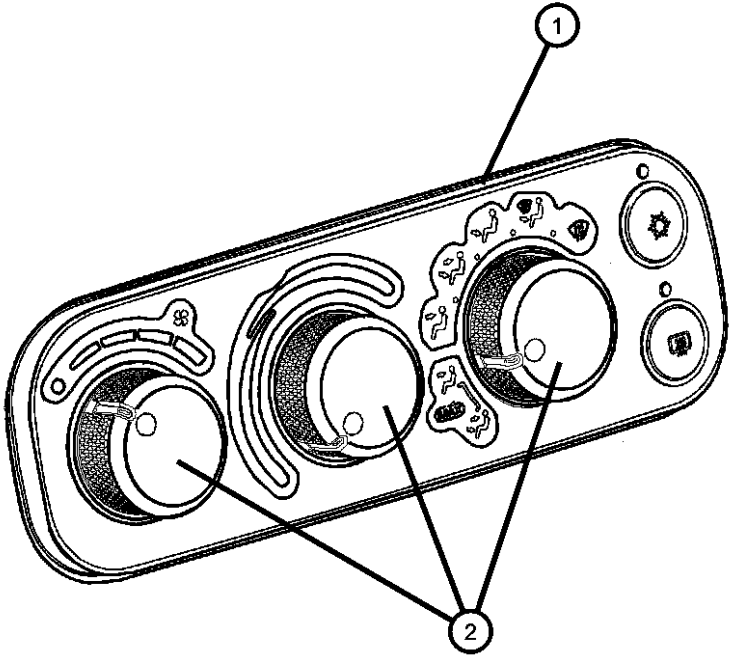
VIPER (ZB)

SERIES	LINE	BODY	ENGINE	TRANSMISSION
S = SRT-10	D = DODGE	27 = 2-DR CONVERTIBLE	EWC = Engine - 8.3L V10 SFI	DEC = 6-Speed Manual
X = Coupe		29 = SPECIALTY COUPE		DBB = All Manual Transmissions

AR = use ase required - = Non illustrated part

**Control Assembly
Figure 24-310**

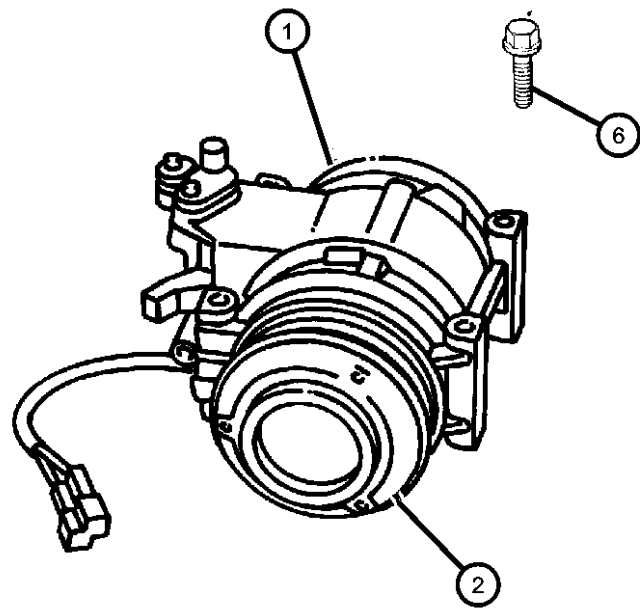
ITEM	PART NUMBER	QTY	LINE	SERIES	BODY	ENGINE	TRANS	TRIM	DESCRIPTION
1	04865810AA	1							CONTROL, A/C And Heater
2	05093433AA	3							KNOB, A/C And Heater Control - Rotary



VIPER (ZB)				
SERIES	LINE	BODY	ENGINE	TRANSMISSION
S = SRT-10	D = DODGE	27 = 2-DR CONVERTIBLE	EWC = Engine - 8.3L V10 SFI	DEC = 6-Speed Manual
X = Coupe		29 = SPECIALTY COUPE		DBB = All Manual Transmissions

AR = use ase required - = Non illustrated part

Compressor, A/C
Figure 24-410



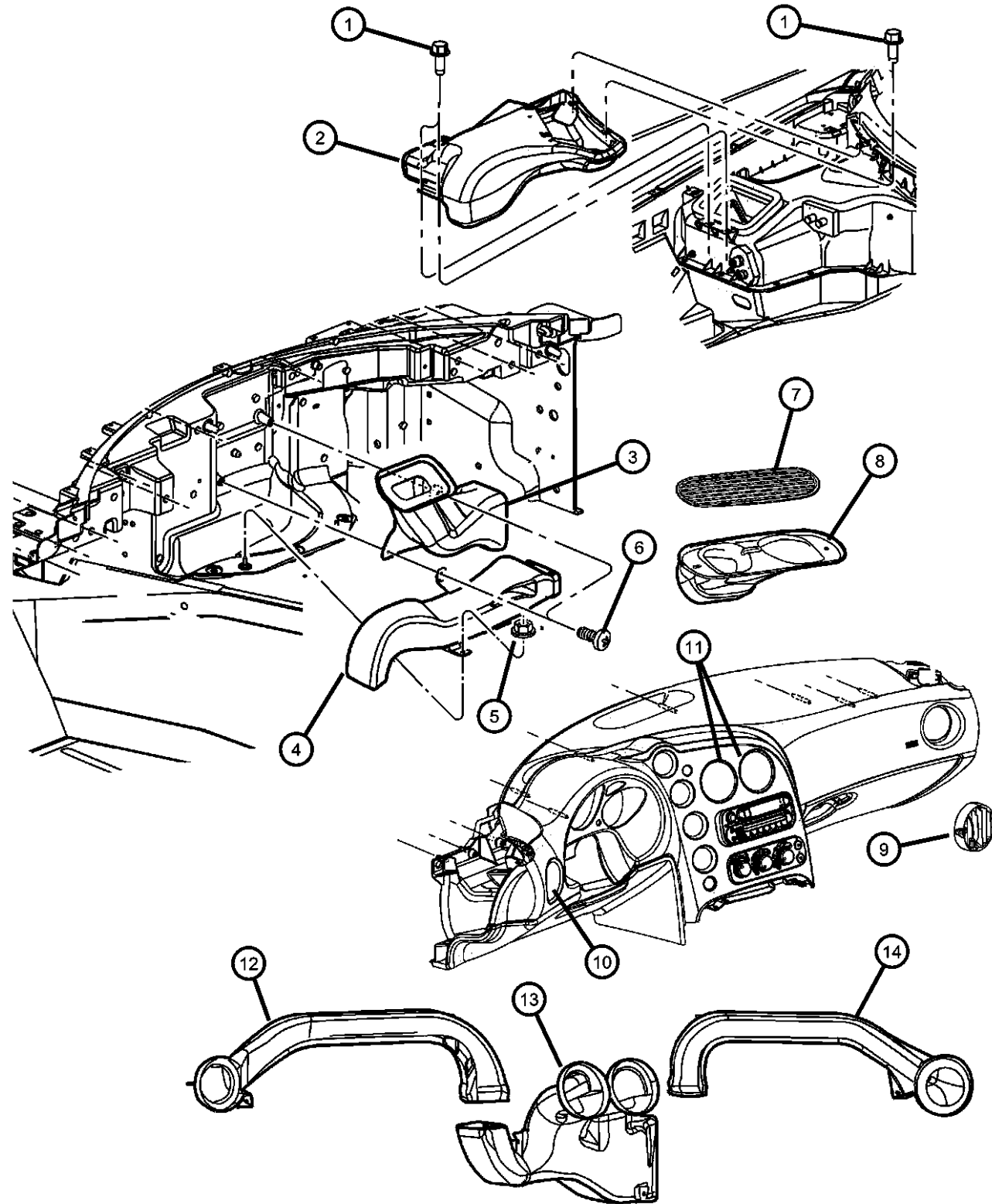
ITEM	PART NUMBER	QTY	LINE	SERIES	BODY	ENGINE	TRANS	TRIM	DESCRIPTION
NOTE: Sales Codes: [EWC] = 8.3L V10 SFI									
1	05290012AB	1				EWC			COMPRESSOR, Air Conditioning
2	05093485AA	1				EWC			PULLEY HUB KIT, A/C Compressor
-3	05066228AA	1				EWC			CLUTCH OVERHAUL KIT, A/C Compressor
-4	05264454	1				EWC			SNAP RING KIT, A/C Clutch
-5	05003681AA	1				EWC			COIL, Air Conditioning Clutch
6	06034789	4				EWC			SCREW AND WASHER, Hex Head Coned Lock Washe, .312-18x3.75, Compressor Mounting
-7	05037348AC	1			27	EWC			BRACKET, A/C Compressor

VIPER (ZB)

SERIES	LINE	BODY	ENGINE	TRANSMISSION
S = SRT-10	D = DODGE	27 = 2-DR CONVERTIBLE	EWC = Engine - 8.3L V10 SFI	DEC = 6-Speed Manual
X = Coupe		29 = SPECIALTY COUPE		DBB = All Manual Transmissions

AR = use ase required - = Non illustrated part

Vents And Outlets
Figure 24-610



ITEM	PART NUMBER	QTY	LINE	SERIES	BODY	ENGINE	TRANS	TRIM	DESCRIPTION
1	00153816	4							SCREW, Tapping, .164-18x.75
2	04865640AB	1							PLENUM, Fresh Air Inlet
3	04865554AA	1							DUCT, Defroster
4	04865809AA	1							DUCT, Floor
5	06100840	1							NUT, Spring
6	06505300AA	2							SCREW
7	0WP74DX9AA	1							GRILLE, Defroster
8	04865541AA	1							DUCT, Defroster
9									OUTLET, Air Conditioning & Heater
	5GD76DX9AA	1							Left
		2							Center
10	05093545AA	1							HOUSING, Air Conditioning OutletLeft
11	05093546AA	1							HOUSING, Air Conditioning OutletCenter
12	04865545AA	1							DUCT, Instrument PanelLeft
13	04865552AA	1							DUCT, Instrument PanelCenter
14	04865546AA	1							DUCT, Instrument PanelRight
-15	04865546AA	1							SCREW, M4X1.5X18.0, (NOT SERVICED)

VIPER (ZB)

SERIES
S = SRT-10
X = Coupe

LINE
D = DODGE

BODY
27 = 2-DR CONVERTIBLE
29 = SPECIALTY COUPE

ENGINE
EWC = Engine - 8.3L V10 SFI

TRANSMISSION
DEC = 6-Speed Manual
DBB = All Manual Transmissions

AR = use ase required - = Non illustrated part

2003 ZB

Group - 25

Emission Systems

Group - 25 Emission Systems

Group-Fig. No.

Illustration Title

Emission Labels

Emission Labels Fig. 25 - 110

Vacuum Canister

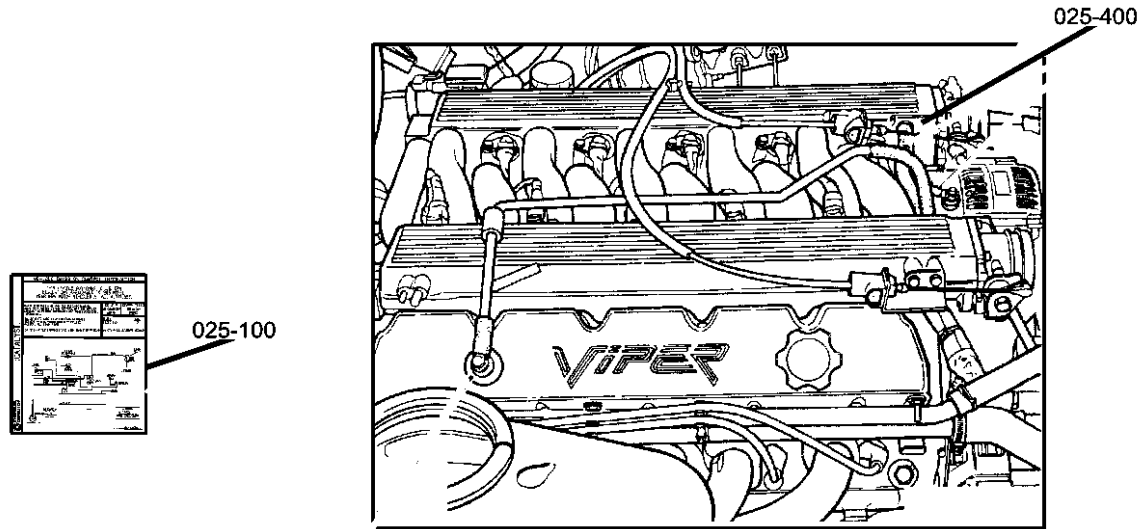
Vacuum Canister Fig. 25 - 310

Emission Harness

Emission Harness Fig. 25 - 410

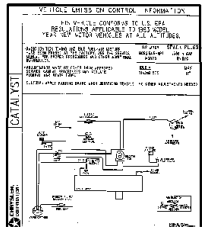
Duty Cycle Fig. 25 - 420

Leak Detection Pump Fig. 25 - 450



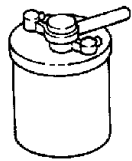
025-100

Emission Labels



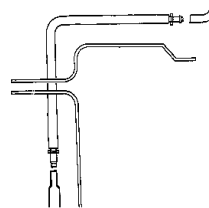
025-300

Vacuum Canister



025-400

Emission Harness

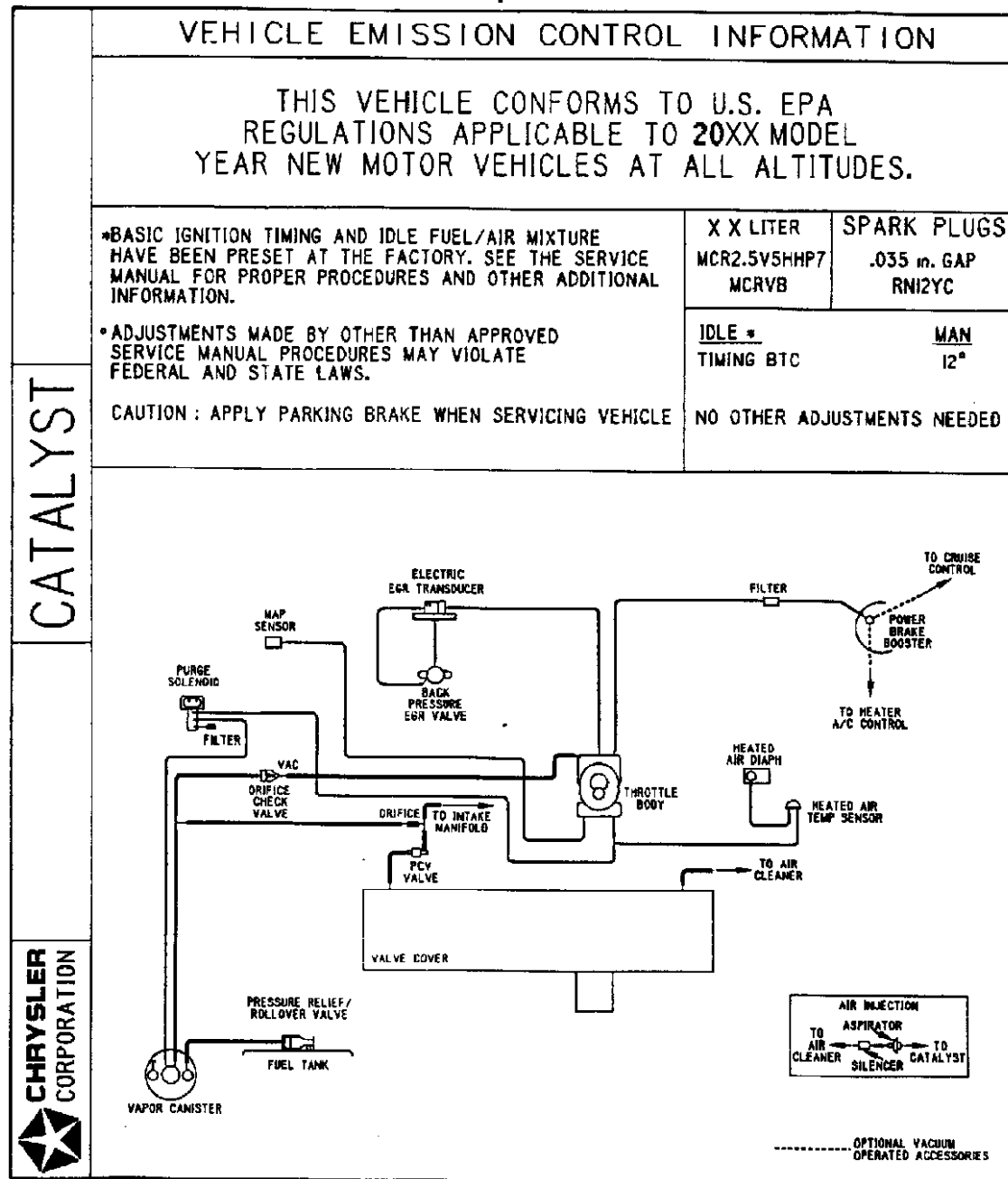


Emission Labels
Figure 25-110

ITEM	PART NUMBER	QTY	LINE	SERIES	BODY	ENGINE	TRANS	TRIM	DESCRIPTION
------	-------------	-----	------	--------	------	--------	-------	------	-------------

1 05038101AA 1

LABEL, Emission, [NAA] Federal



VIPER (ZB)

SERIES
S = SRT-10
X = Coupe

LINE
D = DODGE

BODY
27 = 2-DR CONVERTIBLE
29 = SPECIALTY COUPE

ENGINE

EWC = Engine - 8.3L V10 SFI

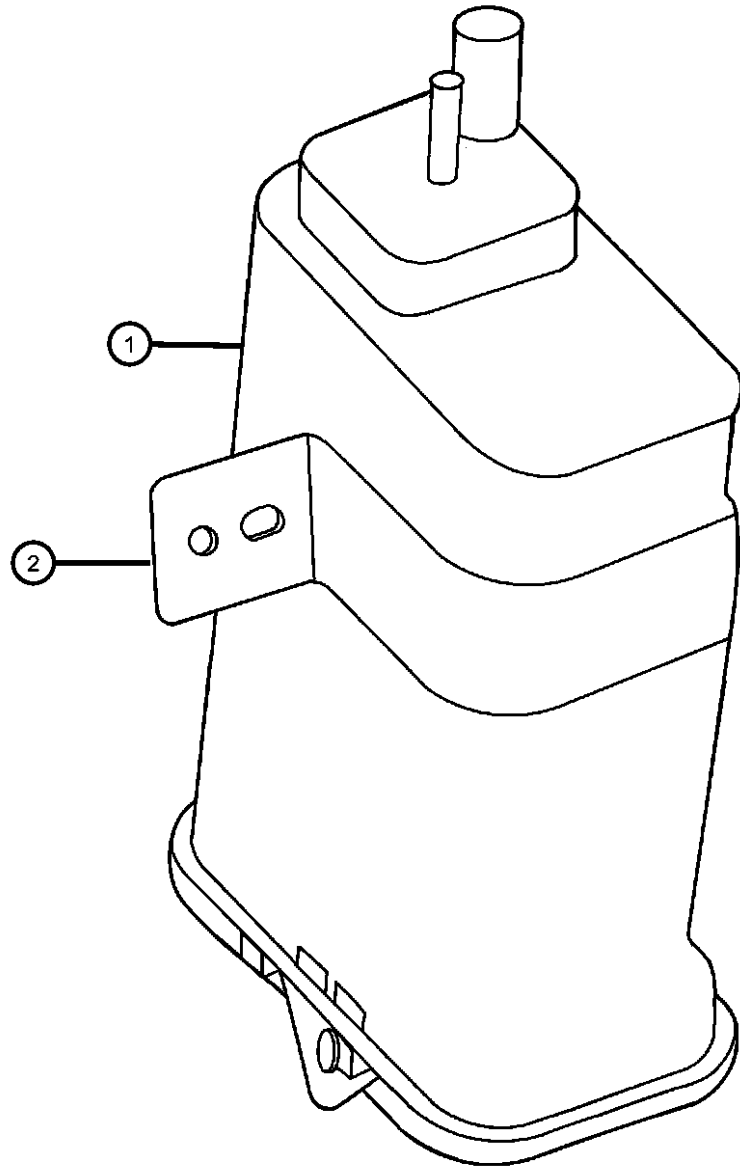
TRANSMISSION

DEC = 6-Speed Manual
DBB = All Manual Transmissions

AR = use ase required - = Non illustrated part

Vacuum Canister
Figure 25-310

ITEM	PART NUMBER	QTY	LINE	SERIES	BODY	ENGINE	TRANS	TRIM	DESCRIPTION
1	53013096AB	1			27				CANISTER, Vapor
2	53013096AB	1							BRACKET, Vapor Canister, Serviced with Fuel Tank Assy., (NOT SERVICED)
-3	06100048	2			27				NUT, Hex, M6x1.00
-4	06100048	2							SCREW, Tapping Hex Flange Head, .250x14x.875, (NOT SERVICED)



VIPER (ZB)

SERIES

S = SRT-10

X = Coupe

LINE

D = DODGE

BODY

27 = 2-DR CONVERTIBLE

29 = SPECIALTY COUPE

ENGINE

EWC = Engine - 8.3L V10 SFI

TRANSMISSION

DEC = 6-Speed Manual

DBB = All Manual Transmissions

AR = use ase required - = Non illustrated part

2003 ZB

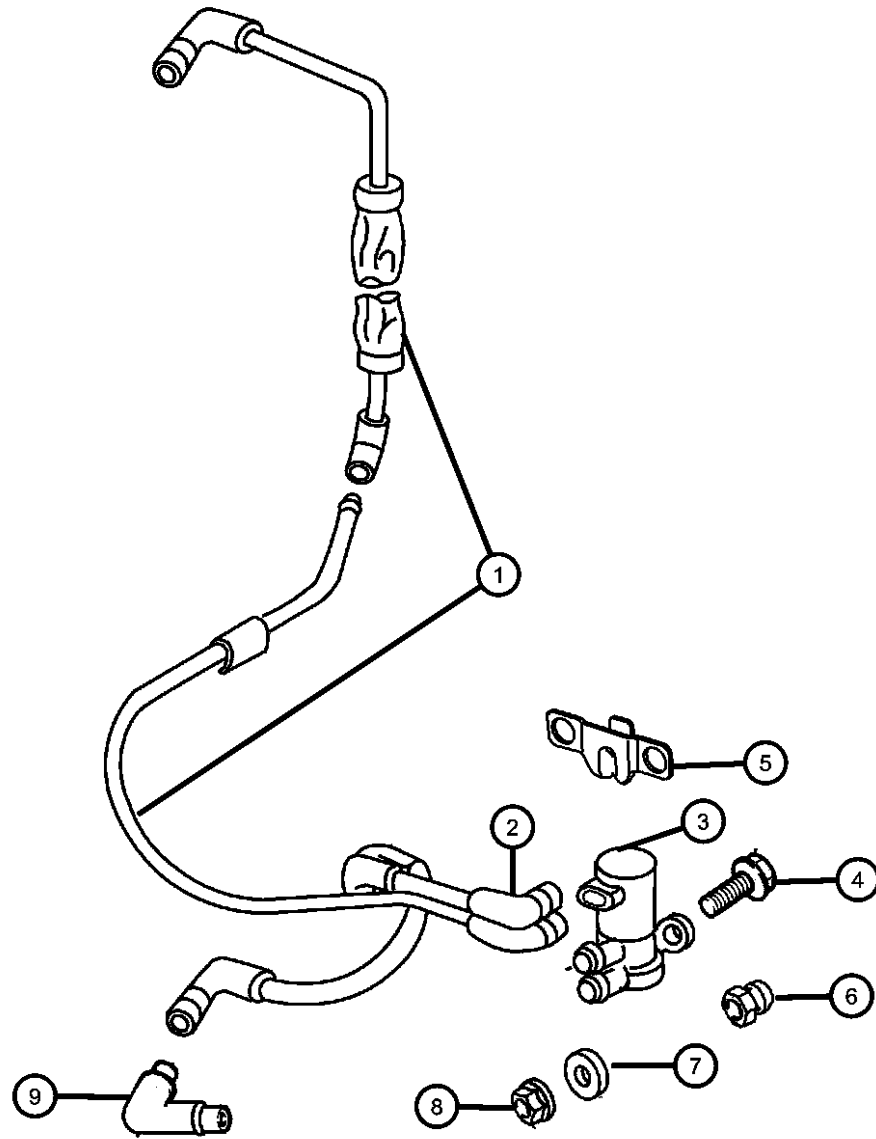
**Emission Harness
Figure 25-410**

ITEM	PART NUMBER	QTY	LINE	SERIES	BODY	ENGINE	TRANS	TRIM	DESCRIPTION
------	-------------	-----	------	--------	------	--------	-------	------	-------------

NOTES: Sales Code
[EWC] = 8.3L V10 SFI Engine

1	05290098AA	1							
2	05290098AA	1							
3	04669475AB	1							
4	06100270	2							
5	04762085	1							
6	04669268	2							
7	03502916	2							
8	34201358	2							
9	34201358	2							

HARNESS, Engine to Purge Solenoid
CONNECTOR, Not Serviced in Harness, (NOT SERVICED)
SOLENOID, Duty Cycle Purge
SCREW AND WASHER, M6x1x40
BRACKET, Duty Cycle Purge Solenoid
GROMMET
SPACER, Speed Control Servo
NUT AND WASHER, Hex Nut-Sealing Washer, M6 x 1.00
ELBOW, Vapor Tube Harness, .25x.25 90 Degree, (NOT SERVICED)



VIPER (ZB)

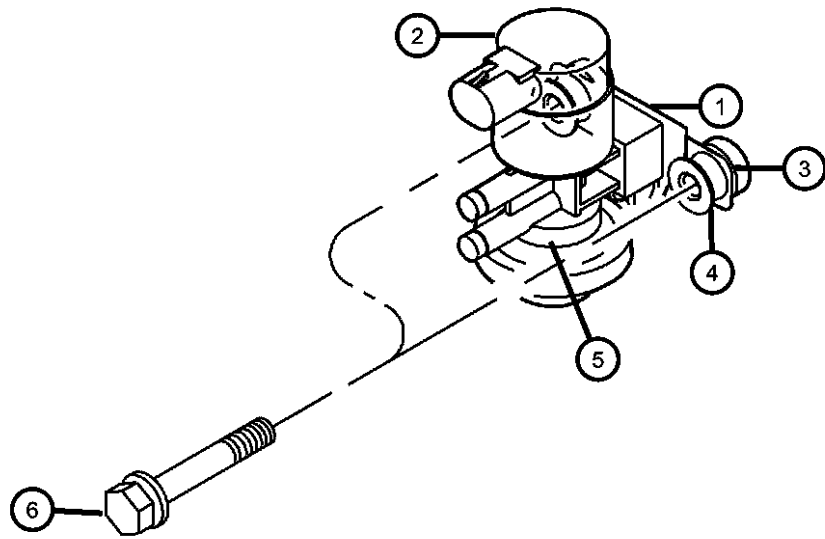
SERIES	LINE	BODY	ENGINE	TRANSMISSION
S = SRT-10	D = DODGE	27 = 2-DR CONVERTIBLE	EWC = Engine - 8.3L V10 SFI	DEC = 6-Speed Manual
X = Coupe		29 = SPECIALTY COUPE		DBB = All Manual Transmissions

AR = use ase required - = Non illustrated part

2003 ZB

Duty Cycle
Figure 25-420

ITEM	PART NUMBER	QTY	LINE	SERIES	BODY	ENGINE	TRANS	TRIM	DESCRIPTION
1	04762085	1							BRACKET, Duty Cycle Purge Solenoid
2	04669475AB	1							SOLENOID, Duty Cycle Purge
3	04669268	2							GROMMET
4	03502916	2							SPACER, Speed Control Servo
5	53030987	1							BUSHING, Isolator
6	06100270	2							SCREW AND WASHER, M6x1x40
-7	05003974AA	1				27			BRACKET PACKAGE, DCP, Bracket and Bushing



VIPER (ZB)

SERIES

S = SRT-10

X = Coupe

LINE

D = DODGE

BODY

27 = 2-DR CONVERTIBLE

29 = SPECIALTY COUPE

ENGINE

EWC = Engine - 8.3L V10 SFI

TRANSMISSION

DEC = 6-Speed Manual

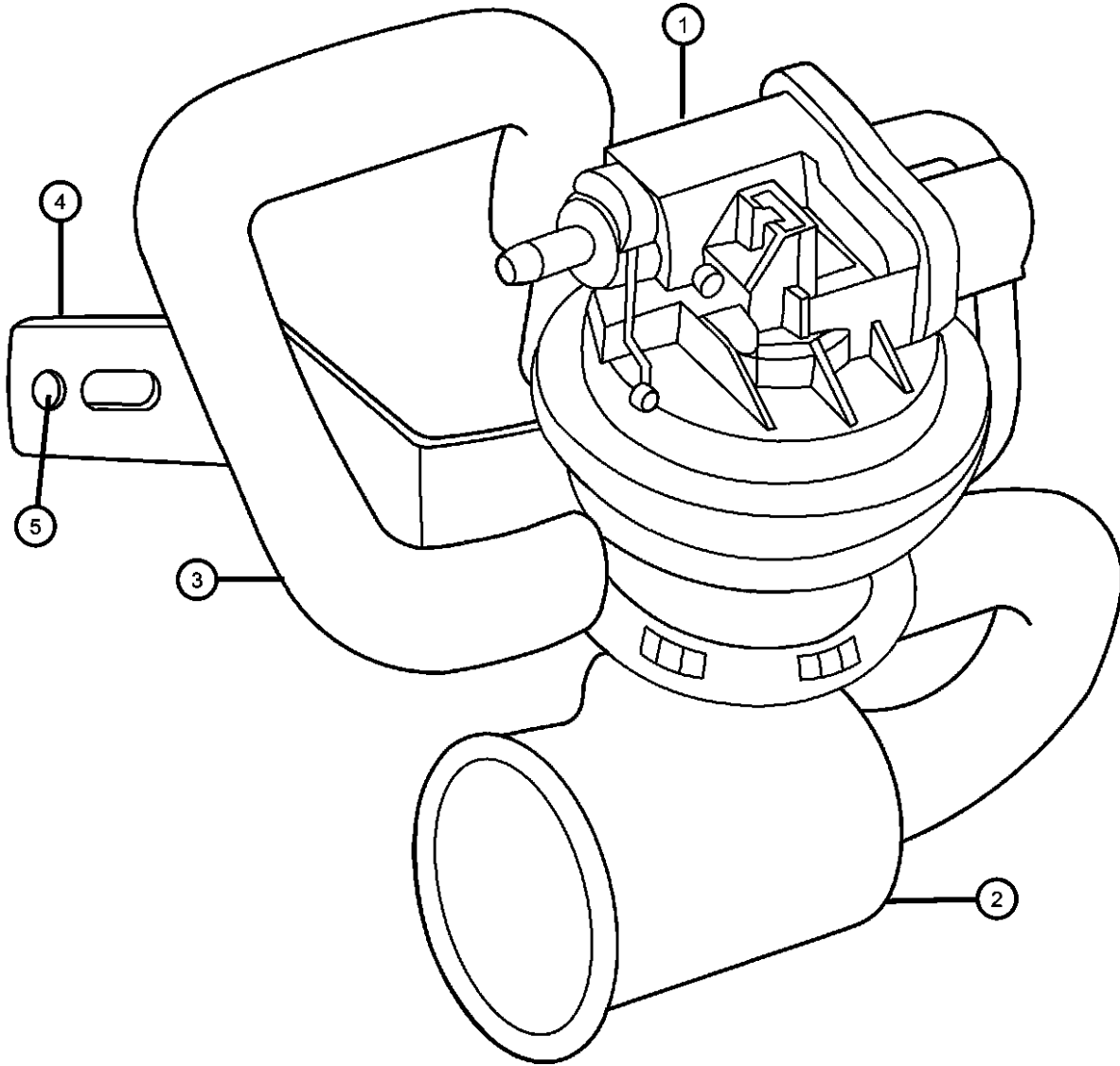
DBB = All Manual Transmissions

AR = use ase required - = Non illustrated part

2003 ZB

**Leak Detection Pump
Figure 25-450**

ITEM	PART NUMBER	QTY	LINE	SERIES	BODY	ENGINE	TRANS	TRIM	DESCRIPTION
1	04891543AA	1			27				PUMP, Leak Detection
2	04612901	1			27				FILTER, Fuel Vapor Vent
3	05290153AA	1							TUBE, Leak Detection Pump Vacuum Supply
4	05290141AA	1			27				BRACKET, Leak Detection Pump
5	05290115AA	1							BOLT, Leak Detection Pump Bracket Mtg.
-6	05290115AA	1							SCREW, Tapping, .19-16x.375, (NOT SERVICED)
-7	05290115AA	1							NUT, Hex Flange Serration, M6x1, (NOT SERVICED)
-8	04669177	2			27				GROMMET, Air Cleaner Bracket, Leak Detection Pump Bracket



VIPER (ZB)

SERIES

S = SRT-10

X = Coupe

LINE

D = DODGE

BODY

27 = 2-DR CONVERTIBLE

29 = SPECIALTY COUPE

ENGINE

EWC = Engine - 8.3L V10 SFI

TRANSMISSION

DEC = 6-Speed Manual

DBB = All Manual Transmissions

AR = use ase required - = Non illustrated part

2003 ZB

Group - DZB

Doors and Related Parts

Group - DZB Doors and Related Parts

Illustration Title

Group-Fig. No.

Front Door

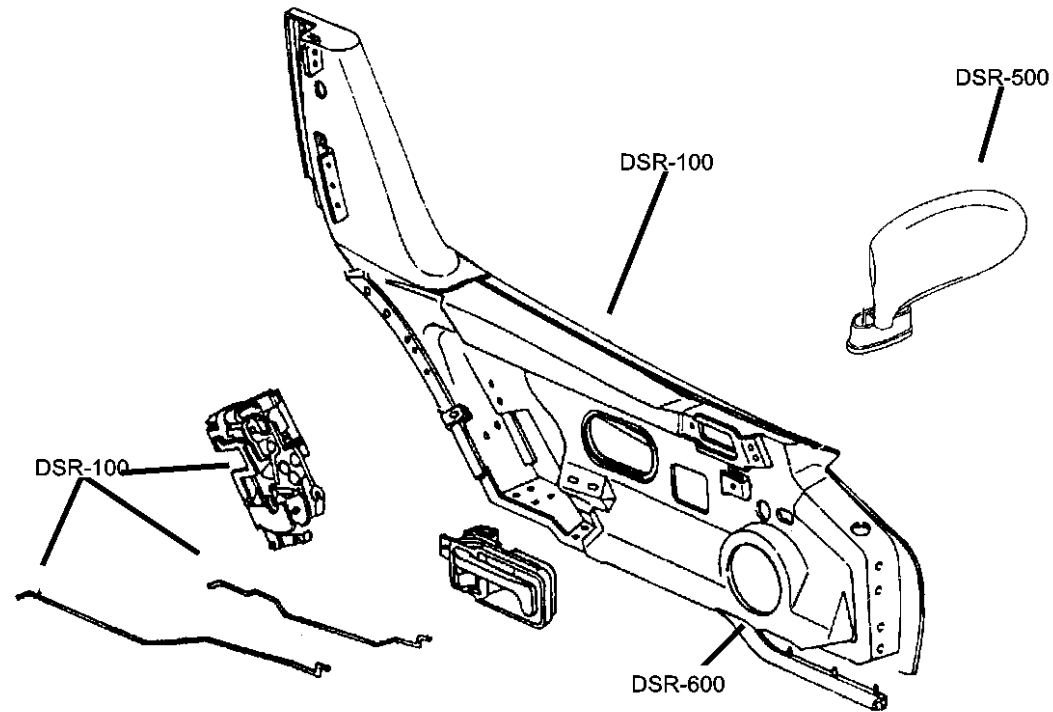
Door, Front Shell And Hinges	Fig. DZB - 110
Door , Front Glass And Regulator	Fig. DZB - 125
Door, Front Lock And Controls	Fig. DZB - 130

Exterior Mirror

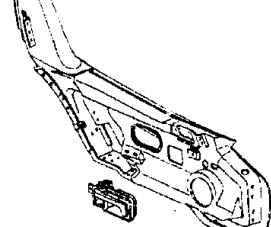
Mirrors, Exterior	Fig. DZB - 510
-------------------------	----------------

Weatherstrips and Seals

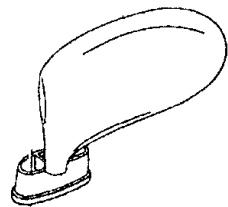
Door, Front Seals.....	Fig. DZB - 610
Weatherstrips, Body	Fig. DZB - 620



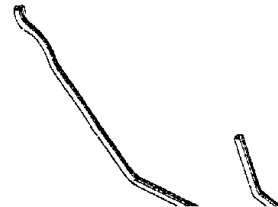
DZB-100
Front Door



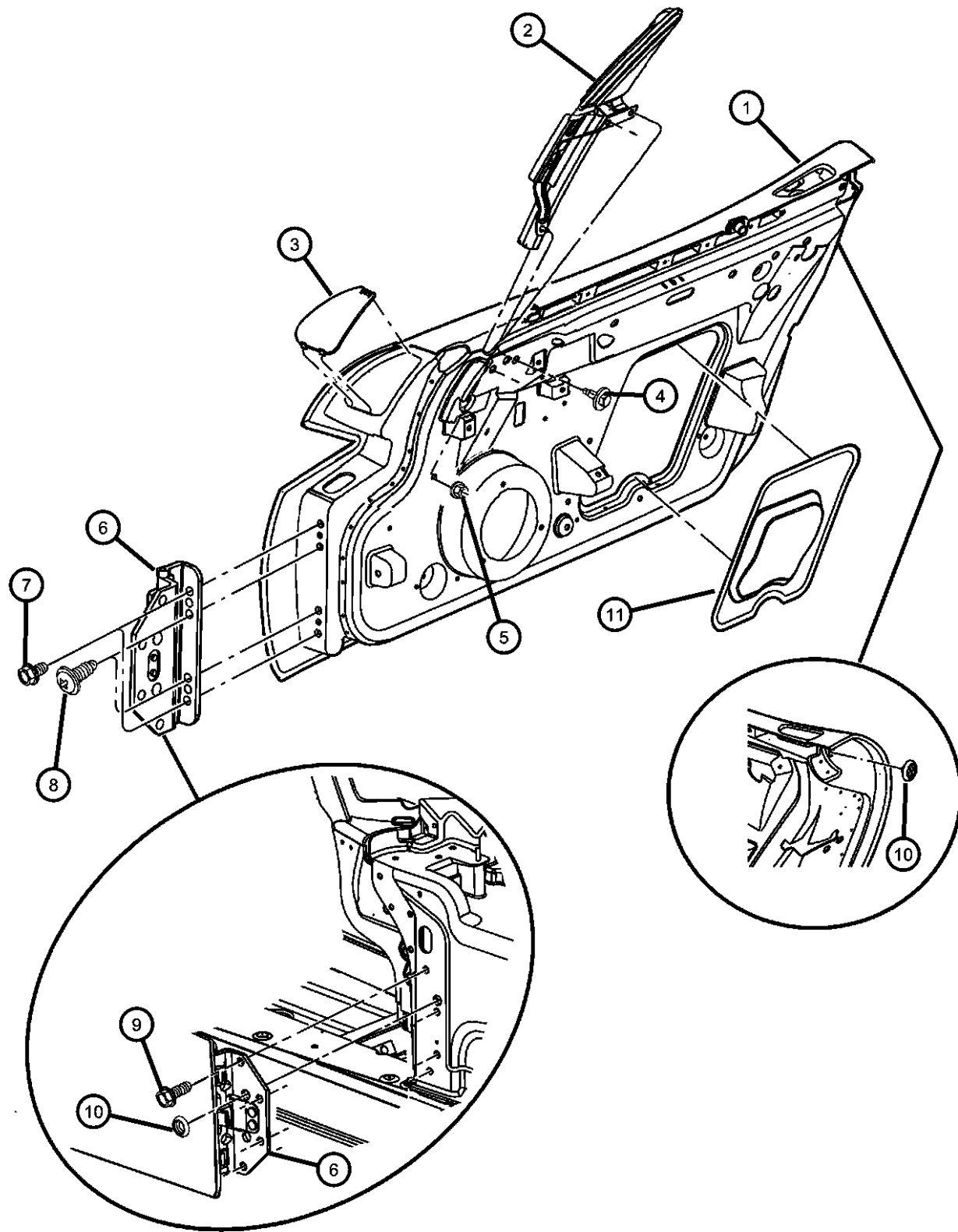
DZB-500
Exterior Mirror



DZB-600
Weatherstrips and Seals



**Door, Front Shell And Hinges
Figure DZB-110**



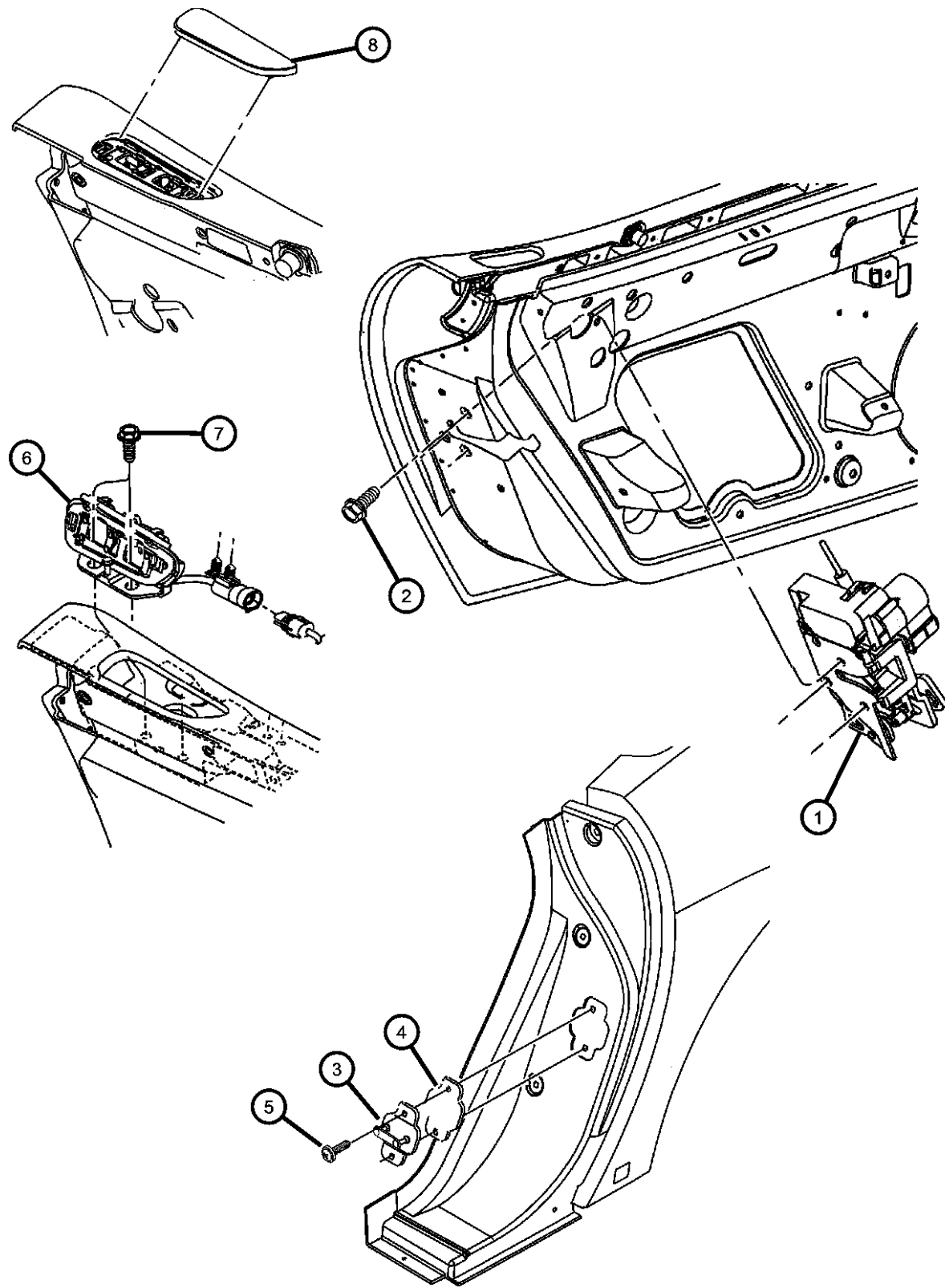
ITEM	PART NUMBER	QTY	LINE	SERIES	BODY	ENGINE	TRANS	TRIM	DESCRIPTION
1	04865592AC	1			27				DOOR, Front, Paint as Required Right
	04865593AC	1			27				Left
2	04865580AA	1							FLAG, Door Right
	04865581AA	1							Left
3	05029068AA	1							PANEL, Access Right
	05029069AA	1							Left
4	06101455	6							SCREW AND WASHER, Hex Head, M6x1x20
5	06101444	2							NUT AND WASHER, Hex, M6x1.0
6	04865462AA	2							HINGE, Front Door
7	06502549	4							SCREW, Pan Head, M8x1.25x30
8	06503351	4							SCREW AND WASHER, Hex Head, M8x1.25x35
9	06507853AA	8			27				SCREW
10	02860332	2							PLUG, Anti-Rattle
11	04865586AA	1							WATERSHIELD, Front Door Right
	04865587AA	1							Left
-12	06101767	2			27				SCREW AND WASHER, M8x1.25x25, Hinge reinforcement

VIPER (ZB)

SERIES	LINE	BODY	ENGINE	TRANSMISSION
S = SRT-10	D = DODGE	27 = 2-DR CONVERTIBLE 29 = SPECIALTY COUPE	EWC = Engine - 8.3L V10 SFI	DEC = 6-Speed Manual DBB = All Manual Transmissions

AR = use ase required - = Non illustrated part

Door, Front Lock And Controls
Figure DZB-130



ITEM	PART NUMBER	QTY	LINE	SERIES	BODY	ENGINE	TRANS	TRIM	DESCRIPTION
1	04865726AA	1							LATCH, Front Door Right
	04865727AA	1							Left
2	06501373	6							SCREW AND WASHER, Hex Head, M6x1x20
3	04643066	2							STRIKER, Door LatchRight
4	04643067	AR							SPACER, Door Lock StrikerLeft
5	06507852AA	4			27				SCREW, Striker attaching
6									HANDLE, Front Door Exterior Right
	05029144AA	1							Left
	05029145AA	1							
7	06101650	4							SCREW AND WASHER, M5X.80X20.00
8									COVER, Handle
	0TR32LRNAB	1			27				[RN], Right
	0TR32MX3AB	1			27				[X3], Right
	0TR32VA9AB	1			27				[A9], Right
	0TR33LRNAB	1			27				[RN], Left
	0TR33MX3AB	1			27				[X3], Left
	0TR33VA9AB	1			27				[A9], Left
-9	34202688	2			27				CLIP, Latch&Line, Inside Door Handle Cable to Door inner
-10	05073039AA	2			27				STRAP, Tie, Latch release cable to Door Beam

VIPER (ZB)

SERIES

S = SRT-10

X = Coupe

LINE

D = DODGE

BODY

27 = 2-DR CONVERTIBLE

29 = SPECIALTY COUPE

ENGINE

EWC = Engine - 8.3L V10 SFI

TRANSMISSION

DEC = 6-Speed Manual

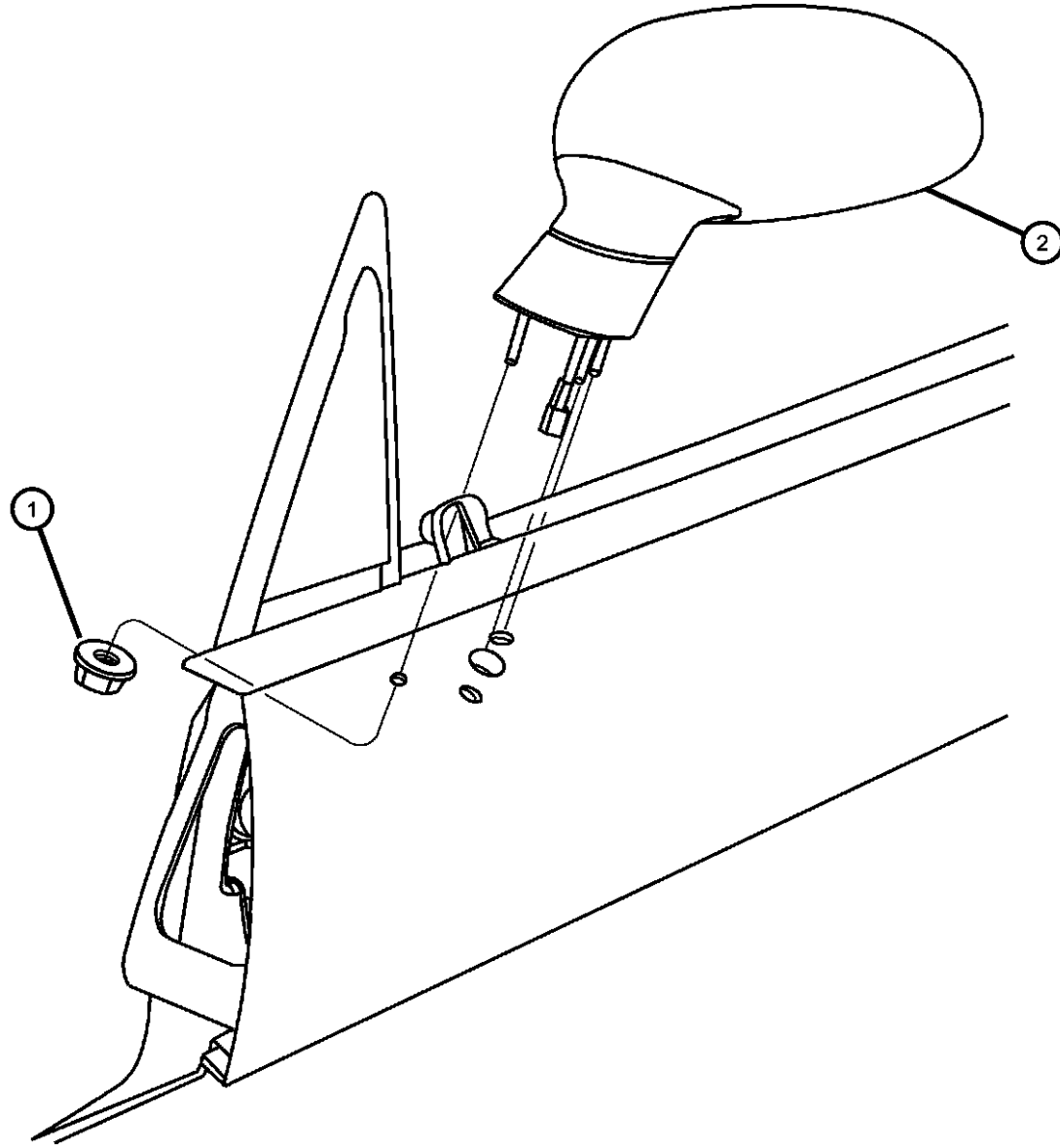
DBB = All Manual Transmissions

AR = use ase required - = Non illustrated part

2003 ZB

Mirrors, Exterior
Figure DZB-510

ITEM	PART NUMBER	QTY	LINE	SERIES	BODY	ENGINE	TRANS	TRIM	DESCRIPTION
1	06102101AA	6							NUT AND WASHER, Hex, M5x0.80
2									MIRROR, Outside Rearview
	0TR36LRNAB	1			27				[RN,GSK], Right
	0TR36MX3AB	1			27				[X3,GSK], Right
	0TR36VA9AB	1			27				[A9,GSK], Right
	0TR37LRNAB	1			27				[RN,GRK], Left
	0TR37MX3AB	1			27				[X3,GRK], Left
	0TR37VA9AB	1			27				[A9,GRK], Left



VIPER (ZB)

SERIES

S = SRT-10

X = Coupe

LINE

D = DODGE

BODY

27 = 2-DR CONVERTIBLE

29 = SPECIALTY COUPE

ENGINE

EWC = Engine - 8.3L V10 SFI

TRANSMISSION

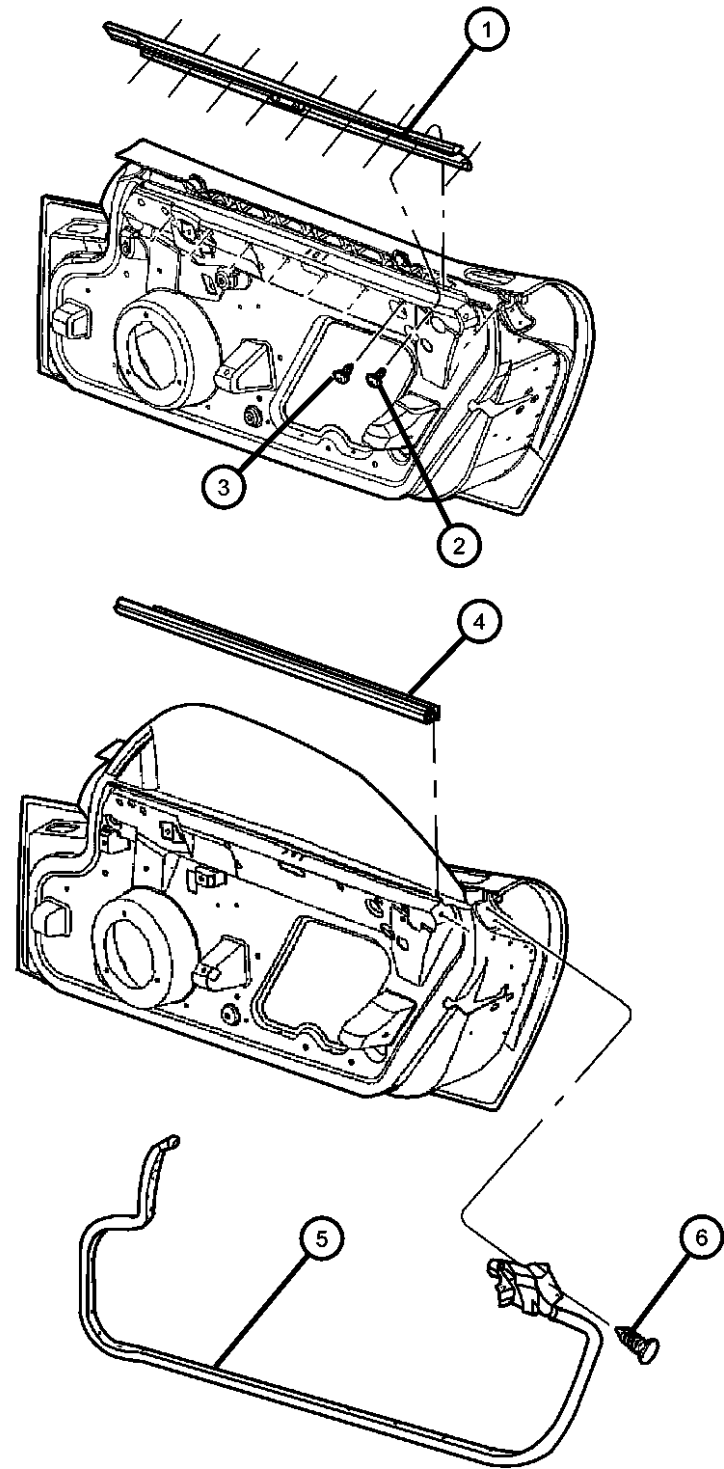
DEC = 6-Speed Manual

DBB = All Manual Transmissions

AR = use ase required - = Non illustrated part

2003 ZB

Door, Front Seals
Figure DZB-610



ITEM	PART NUMBER	QTY	LINE	SERIES	BODY	ENGINE	TRANS	TRIM	DESCRIPTION
1	04865584AA	1							WEATHERSTRIP, Door Belt, Outer Right
	04865585AA	1							Left
2	00154818	4							SCREW
3	06032723	14							SCREW, Self Tapping, M4.2x1.69x19.05
4	04865578AA	1							WEATHERSTRIP, Door Belt, Inner Right
	04865579AA	1							Left
5	04865564AA	1							WEATHERSTRIP, Front Door Sill Secondary Right
	04865565AA	1							Left
6	04658673	6							PIN PUSH, .150x.410
-7	05029281AB	2				27			ISOLATOR, Door Surround Seal

VIPER (ZB)

SERIES
S = SRT-10
X = Coupe

LINE
D = DODGE

BODY
27 = 2-DR CONVERTIBLE
29 = SPECIALTY COUPE

ENGINE
EWC = Engine - 8.3L V10 SFI

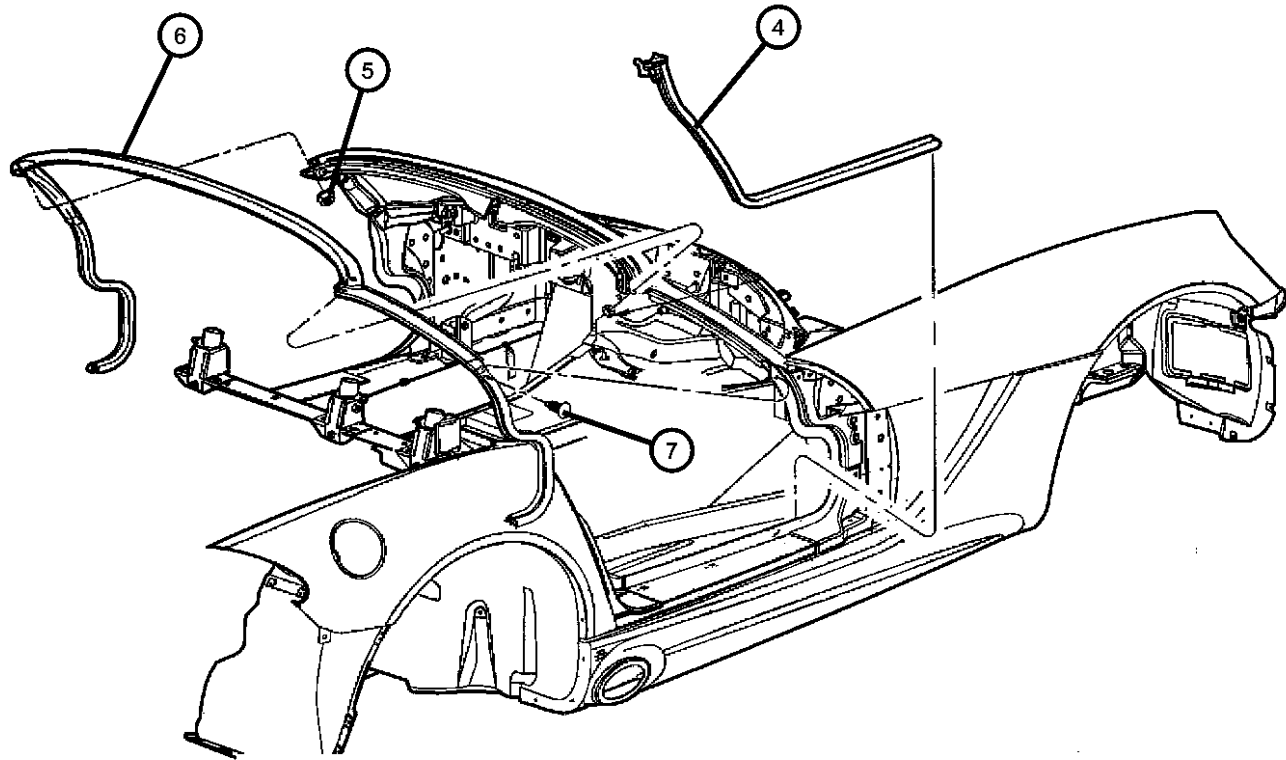
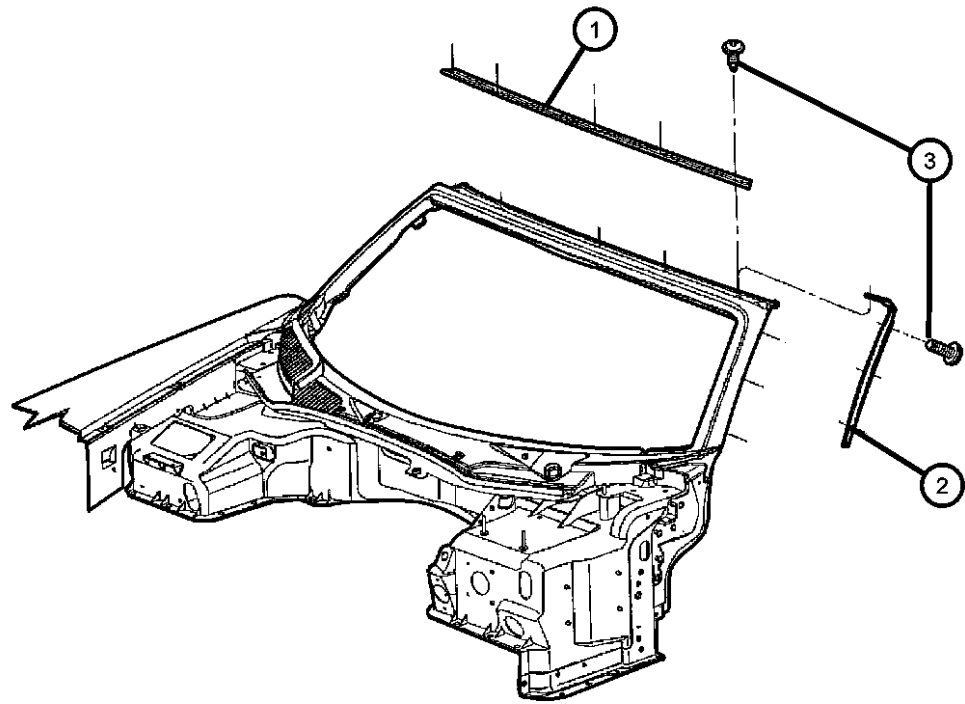
TRANSMISSION
DEC = 6-Speed Manual
DBB = All Manual Transmissions

AR = use ase required - = Non illustrated part

2003 ZB

Weatherstrips, Body
Figure DZB-620

ITEM	PART NUMBER	QTY	LINE	SERIES	BODY	ENGINE	TRANS	TRIM	DESCRIPTION
1	04865574AB	1							RETAINER, Weatherstrip
2	04865576AA	1							RETAINER, Weatherstrip Right
	04865577AA	1							Left
3	06505026AA	2							SCREW, M5x16
4	04865562AA	1							WEATHERSTRIP, Front Door Opening Right
	04865563AA	1							Left
5	04865563AA	1							NUT AND WASHER, Hex Nut-Coned Washer, M5 x 0.80, (NOT SERVICED)
6	04865561AA	1							WEATHERSTRIP, Header and A pillar
7	04658673	2							PIN PUSH, .150x.410



VIPER (ZB)

SERIES

S = SRT-10

X = Coupe

LINE

D = DODGE

BODY

27 = 2-DR CONVERTIBLE

29 = SPECIALTY COUPE

ENGINE

EWC = Engine - 8.3L V10 SFI

TRANSMISSION

DEC = 6-Speed Manual

DBB = All Manual Transmissions

AR = use ase required - = Non illustrated part

2003 ZB

Group - EZB

Exterior Ornamentation

Group - EZB Exterior Ornamentation

Illustration Title

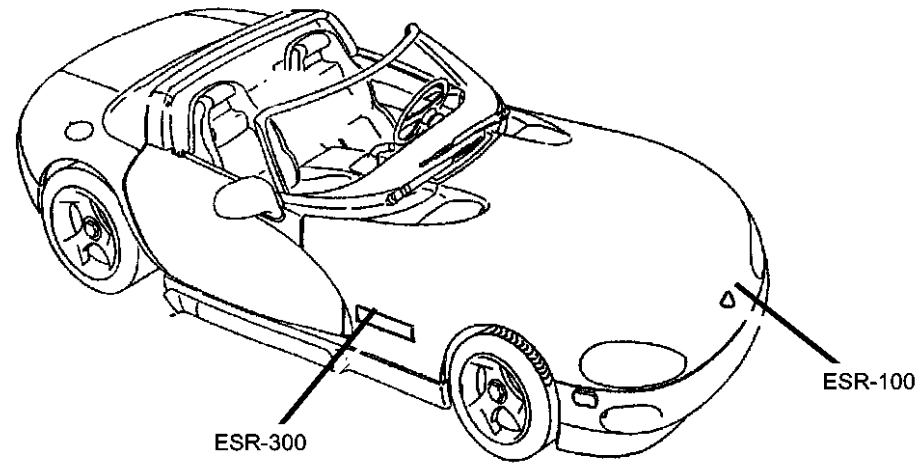
Group-Fig. No.



Medallions

Nameplates.....Fig. EZB - 110

Decals

Decals..... Fig. EZB - 310



<p>EZB-100 Medallions</p> 	<p>EZB-300 Decals</p> 		
--	--	--	--

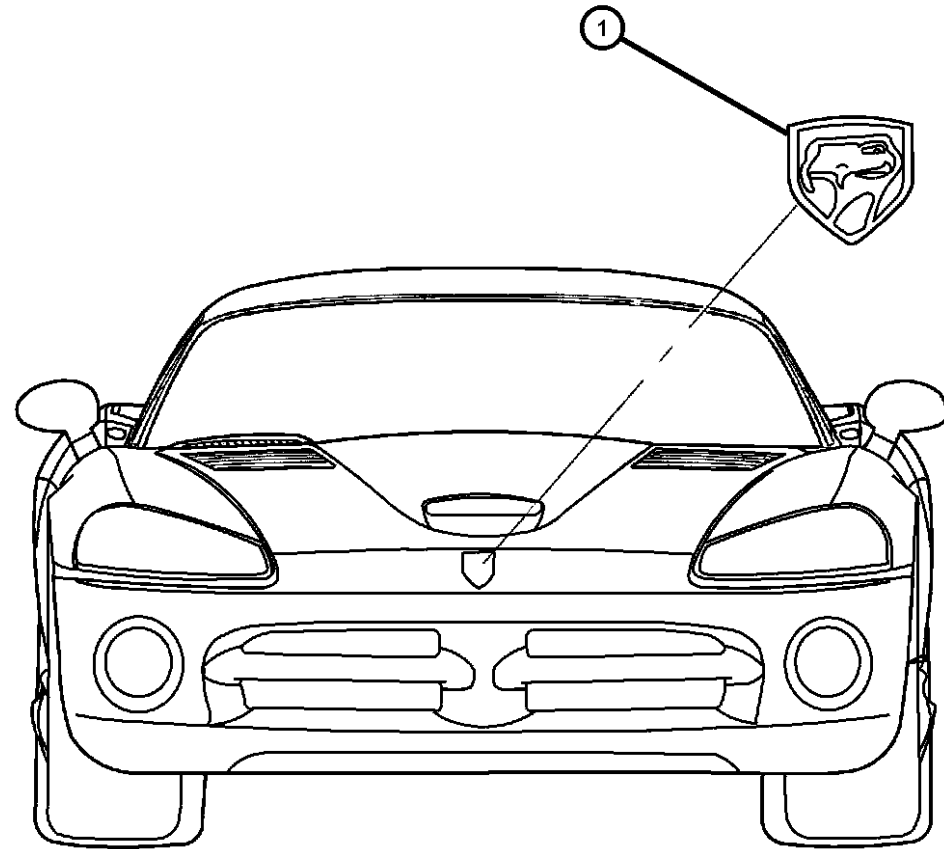
Nameplates
Figure EZB-110

ITEM	PART NUMBER	QTY	LINE	SERIES	BODY	ENGINE	TRANS	TRIM	DESCRIPTION
------	-------------	-----	------	--------	------	--------	-------	------	-------------

NOTE: Also see DECAL Illustration

1 0UW37AAAAA 1

MEDALLION, Viper Head



VIPER (ZB)

SERIES

S = SRT-10
X = Coupe

LINE

D = DODGE

BODY

27 = 2-DR CONVERTIBLE
29 = SPECIALTY COUPE

ENGINE

EWC = Engine - 8.3L V10 SFI

TRANSMISSION

DEC = 6-Speed Manual
DBB = All Manual Transmissions

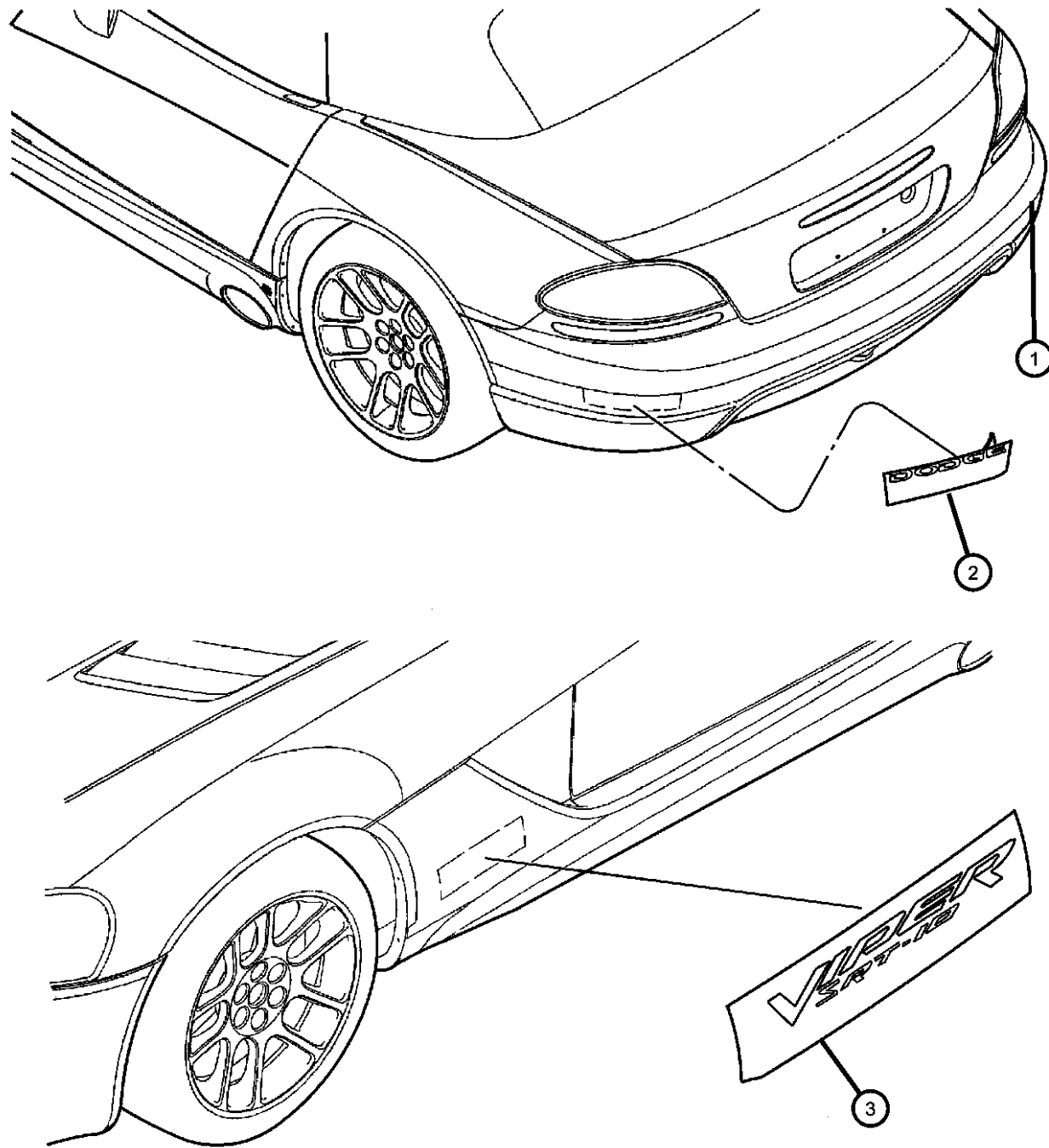
AR = use ase required - = Non illustrated part

2003 ZB

**Decals
Figure EZB-310**

ITEM	PART NUMBER	QTY	LINE	SERIES	BODY	ENGINE	TRANS	TRIM	DESCRIPTION
------	-------------	-----	------	--------	------	--------	-------	------	-------------

NOTE: Also see NAMEPLATE Illustration



1									DECAL, Viper
	0WN73PX3AB	1							[KEX]
	0WN73VADAB	1							[KEA]
	0WN73WRRAB	1							[KER]
2									DECAL, Dodge
	0WN80PX3AA	1							[KSX]
	0WN80VADAA	1							[KSA]
	0WN80WR- RAA	1							[KSR]
3									DECAL, Viper, SRT-10
	0WN81PX3AB	2							[KCX]
	0WN81VADAB	2							[KDA]
	0WN81WRRAB	2							[KDR]

VIPER (ZB)

SERIES

S = SRT-10

X = Coupe

LINE

D = DODGE

BODY

27 = 2-DR CONVERTIBLE

29 = SPECIALTY COUPE

ENGINE

EWC = Engine - 8.3L V10 SFI

TRANSMISSION

DEC = 6-Speed Manual

DBB = All Manual Transmissions

AR = use ase required - = Non illustrated part

2003 ZB

Group - IZB

Interior Trim

Group - IZB Interior Trim

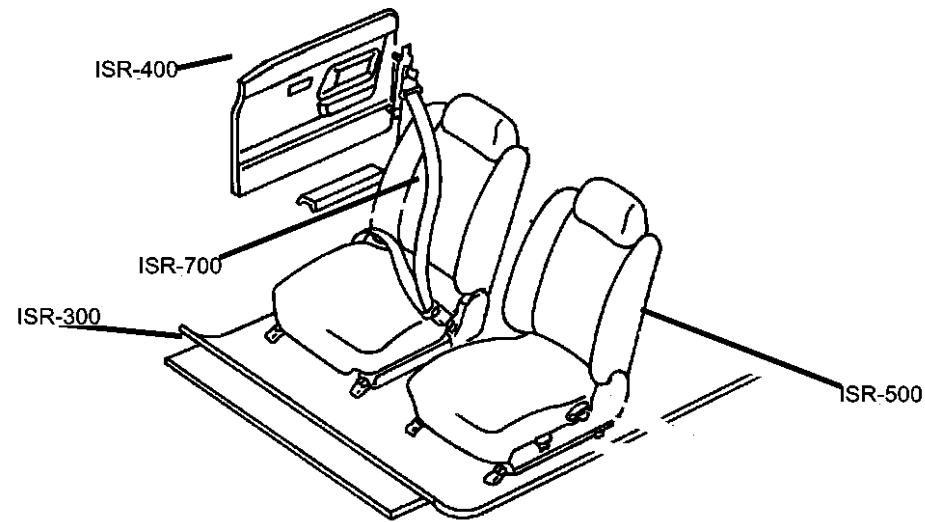


Illustration Title

Group-Fig. No.

Headliner and Visor

Visors And FootrestFig. IZB - 110

Quarter Panels and Scuff Plates

Molding Windshield Fig. IZB - 205
 Rear Bulkhead Panels Fig. IZB - 210
 Quarter, Cowl And Rear Bulkhead Attaching Panels Fig. IZB - 215
 Door Sill Scuff Plate, & Footrest Fig. IZB - 220
 Panel - Sill Outer Fig. IZB - 225

Carpets, Mats and Insulation

Carpet Front Fig. IZB - 310
 Carpet Rear - Slingwell Fig. IZB - 315

Door Trim Panels-Front

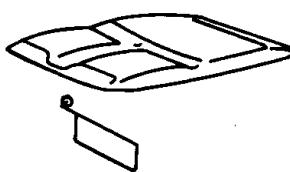
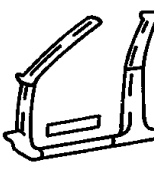
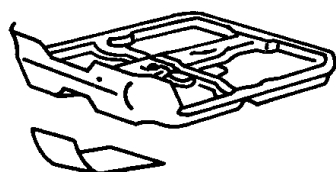
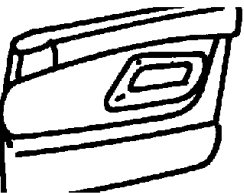
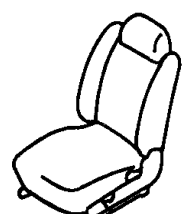
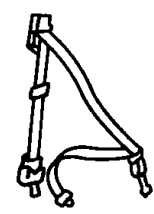
Door Panel..... Fig. IZB - 410

Front Seats

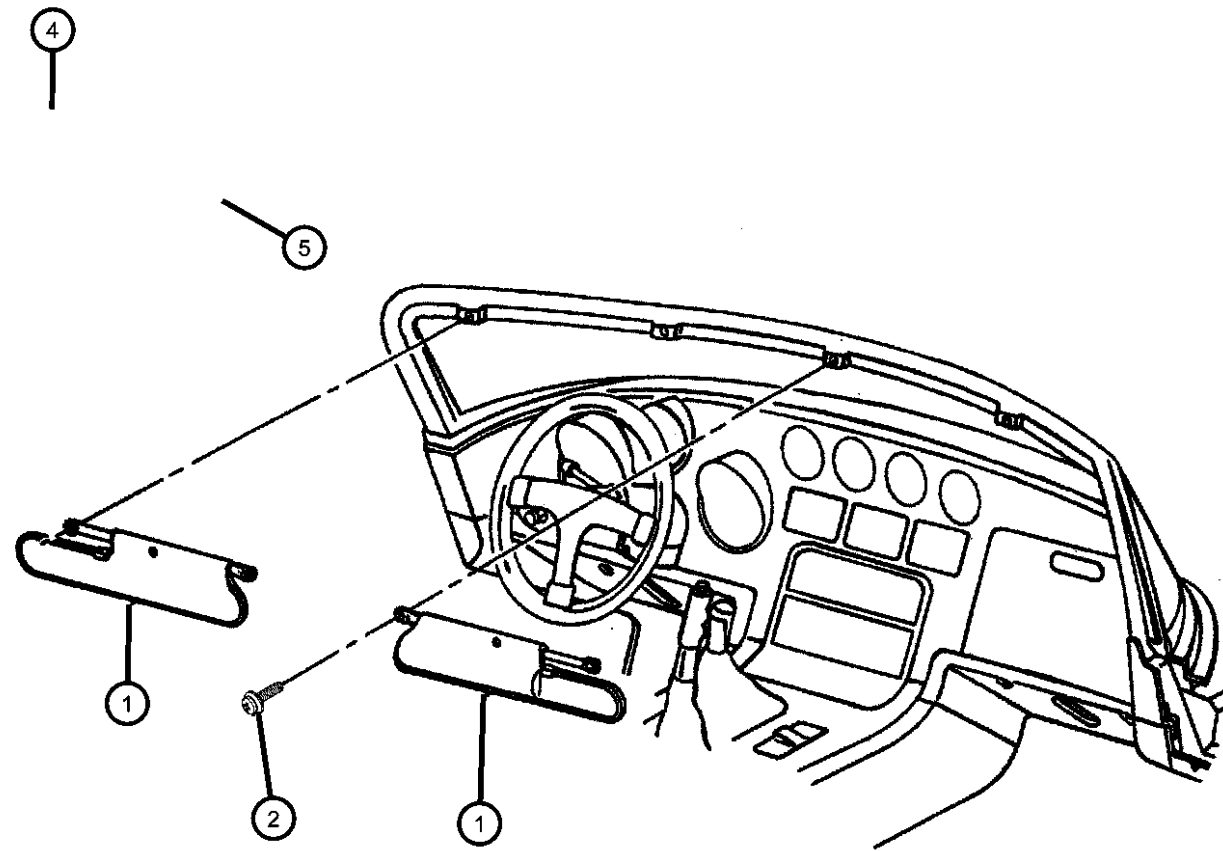
Seat, Front..... Fig. IZB - 510

Seat Belts Front-Outer and Inner

Belts - Front..... Fig. IZB - 710

<p>IZB-100 Headliner and Visor</p> 	<p>IZB-200 Quarter Panels and Scuff Plates</p> 	<p>IZB-300 Carpets, Mats and Insulation</p> 	<p>IZB-400 Door Trim Panels-Front</p> 
<p>IZB-500 Front Seats</p> 	<p>IZB-700 Seat Belts Front-Outer and Inner</p> 		

**Visors And Footrest
Figure IZB-110**



ITEM	PART NUMBER	QTY	LINE	SERIES	BODY	ENGINE	TRANS	TRIM	DESCRIPTION
1									VISOR
	0UZ101X7AB	1						*00	Right
	0UZ111X7AB	1						*00	Left
2	06507672AA	4							SCREW, Visor Attaching
-3	06507672AA	4							SCREW, .190-16x.500, Model 29 Visor screws not serviced, (NOT SERVICED)
4	06507672AA	4							SCREW, [.164-18x.625], (NOT SERVICED)
5	06507672AA	4							FOOTREST, Part Of Frame Chassis, (NOT SERVICED)
-6	04595749AA	1							LABEL, Air Bag Warning, English/French

VIPER (ZB)

SERIES
S = SRT-10
X = Coupe

LINE
D = DODGE

BODY
27 = 2-DR CONVERTIBLE
29 = SPECIALTY COUPE

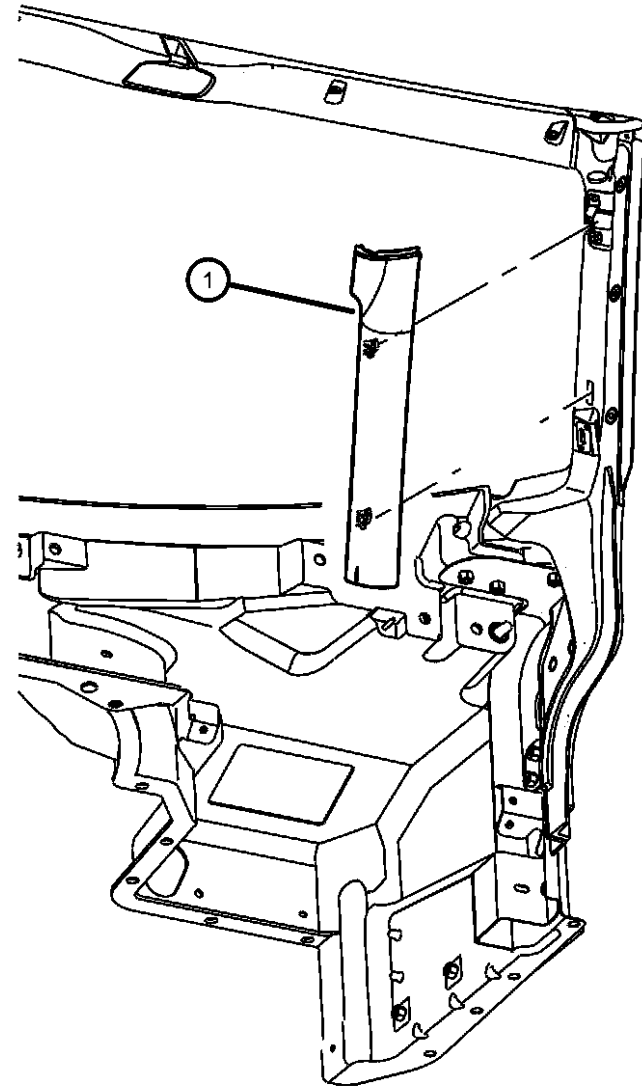
ENGINE
EWC = Engine - 8.3L V10 SFI

TRANSMISSION
DEC = 6-Speed Manual
DBB = All Manual Transmissions

AR = use ase required - = Non illustrated part

Molding Windshield
Figure IZB-205

ITEM	PART NUMBER	QTY	LINE	SERIES	BODY	ENGINE	TRANS	TRIM	DESCRIPTION
1									MOLDING, Windshield Garnish
	0TR82RXFAA	1						*00	Right
	0TR83RXFAA	1						*00	Left



VIPER (ZB)

SERIES
S = SRT-10
X = Coupe

LINE
D = DODGE

BODY
27 = 2-DR CONVERTIBLE
29 = SPECIALTY COUPE

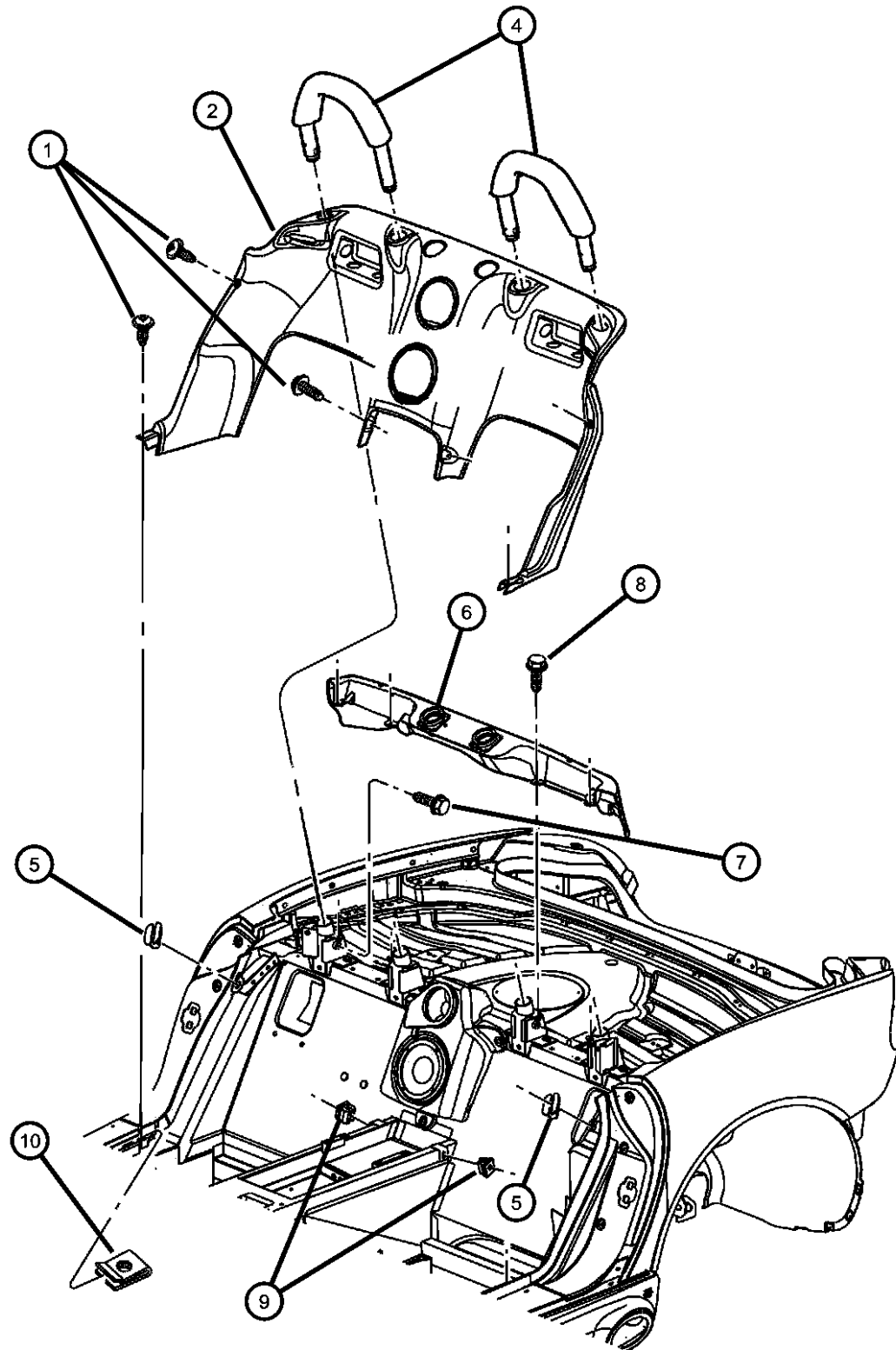
ENGINE
EWC = Engine - 8.3L V10 SFI

TRANSMISSION
DEC = 6-Speed Manual
DBB = All Manual Transmissions

AR = use ase required - = Non illustrated part

2003 ZB

Rear Bulkhead Panels
Figure IZB-210



ITEM	PART NUMBER	QTY	LINE	SERIES	BODY	ENGINE	TRANS	TRIM	DESCRIPTION
1	OTR83RXFAA	1							SCREW, .190-16x1.00, (NOT SERVICED)
2									PANEL, Bulkhead Trim
	05029072AB	2			27				
	0TS04DX9AB	2			27			*O0	Deluxe Model
-3	05093777AA	8			27				NUT, U, Bulkhead Attaching
4									SPORT HOOP, Bulkhead
	0TS38DX9AB	1						*O0	Right
	0TS39DX9AB	1						*O0	Left
5	06031869	2							NUT, Push, .19, Bulkhead Trim Attaching
6	0TS04DX9AB	1			27			*O0	PANEL, Bulkhead Trim
7	06101722	4							SCREW AND WASHER, Hex Head, M8x1.25x60
8	06102103AA	4							SCREW AND WASHER, Hex Head, M6x1x20
9	06032058	2							NUT, Snap In
10	06032058	2							NUT, Snap In
-11	05029290AA	1							PLATE, Child Tether Anchor
-12	05093846AA	4			27			*O0	SCREW, Bulkhead

VIPER (ZB)

SERIES

S = SRT-10

X = Coupe

LINE

D = DODGE

BODY

27 = 2-DR CONVERTIBLE

29 = SPECIALTY COUPE

ENGINE

EWC = Engine - 8.3L V10 SFI

TRANSMISSION

DEC = 6-Speed Manual

DBB = All Manual Transmissions

AR = use ase required - = Non illustrated part

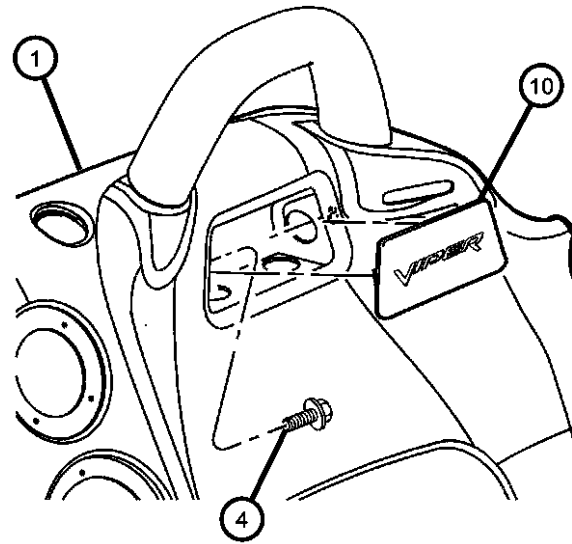
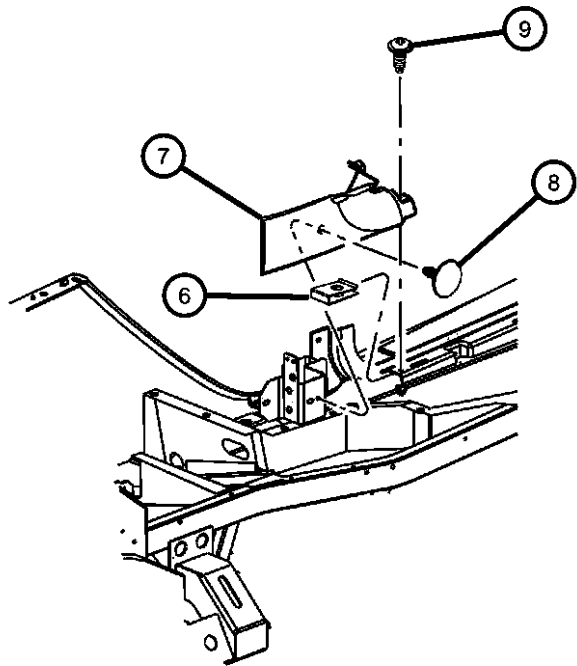
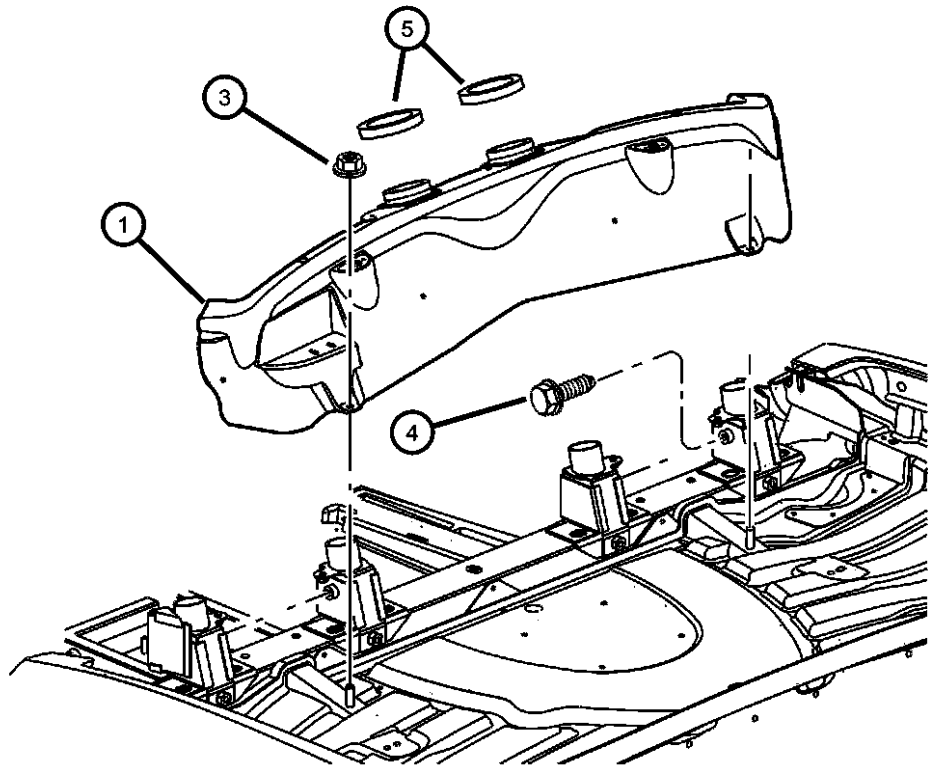
2003 ZB

Quarter, Cowl And Rear Bulkhead Attaching Panels
Figure IZB-215

ITEM	PART NUMBER	QTY	LINE	SERIES	BODY	ENGINE	TRANS	TRIM	DESCRIPTION
------	-------------	-----	------	--------	------	--------	-------	------	-------------

NOTE: Sales Code
[SDP] = Service Dealer Paint

1	05029072AB	1			27				PANEL, Bulkhead Trim
-2	05096016AA	1							PANEL, Bulkhead Support
3	05096016AA	1							NUT AND WASHER, Hex, M6x1, (NOT SERVICED)
4	06101722	4							SCREW AND WASHER, Hex Head, M8x1.25x60
5									COVER, Bulkhead
	0XK36DX9AA	1						*00	Right
	0XK37DX9AA	1						*00	Left
6	0XK37DX9AA	1							NUT, For [,190-16] Screw, (NOT SERVICED)
7									PANEL, Cowl Side Trim
	0UR52DX9AA	1						*00	Right
	0UR53DX9AA	1						*00	Left
8	5DV62DX9	3						*00	FASTENER, Trim Panel Attaching
9	5DV62DX9	3							SCREW, Tap Hex Flange Head, .190-16x1.0, (NOT SERVICED)
10									COVER, Bulkhead
	0XK36DX9AA	1						*00	Right
	0XK37DX9AA	1						*00	Left
-11	05093696AA	8			27				SCREW, Panel Bulkhead Attaching
-12	05029058AA	2							BRACKET, Close-Out
-13									PANEL, Quarter
	04865796AB	1			27				[SDP], Right
	04865797AB	1			27				[SDP], Left



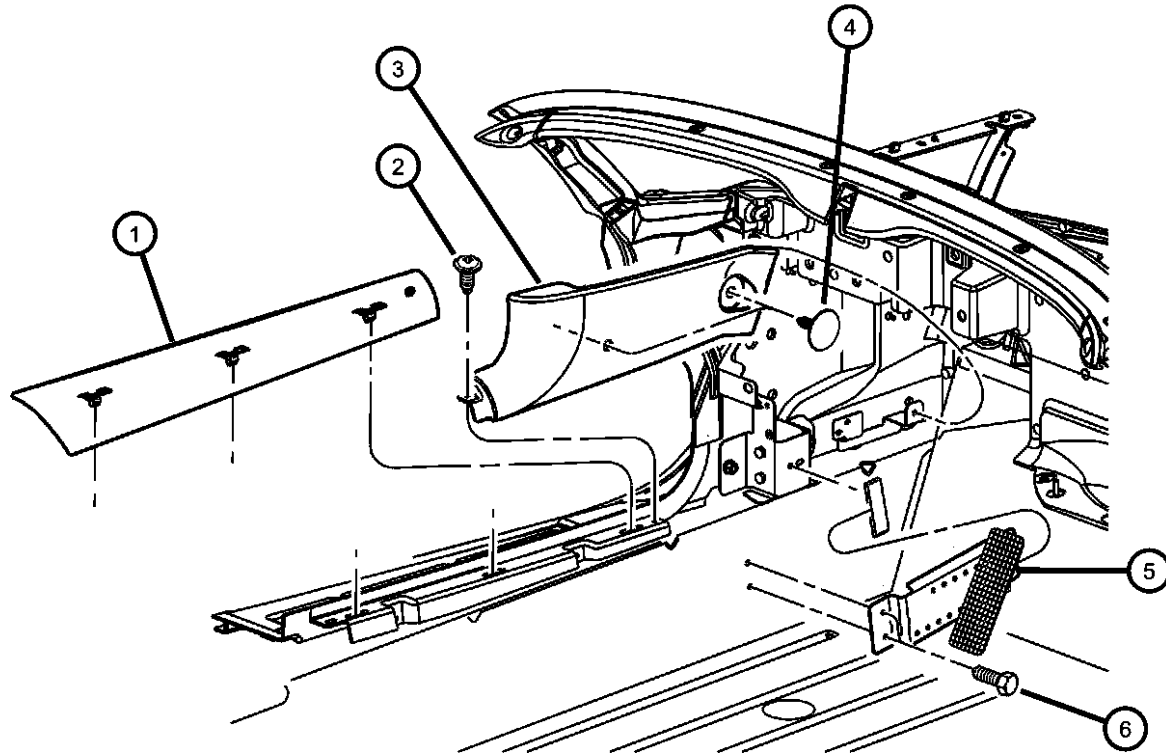
VIPER (ZB)

SERIES	LINE	BODY	ENGINE	TRANSMISSION
S = SRT-10	D = DODGE	27 = 2-DR CONVERTIBLE	EWC = Engine - 8.3L V10 SFI	DEC = 6-Speed Manual
X = Coupe		29 = SPECIALTY COUPE		DBB = All Manual Transmissions

AR = use ase required - = Non illustrated part

2003 ZB

**Door Sill Scuff Plate, & Footrest
Figure IZB-220**



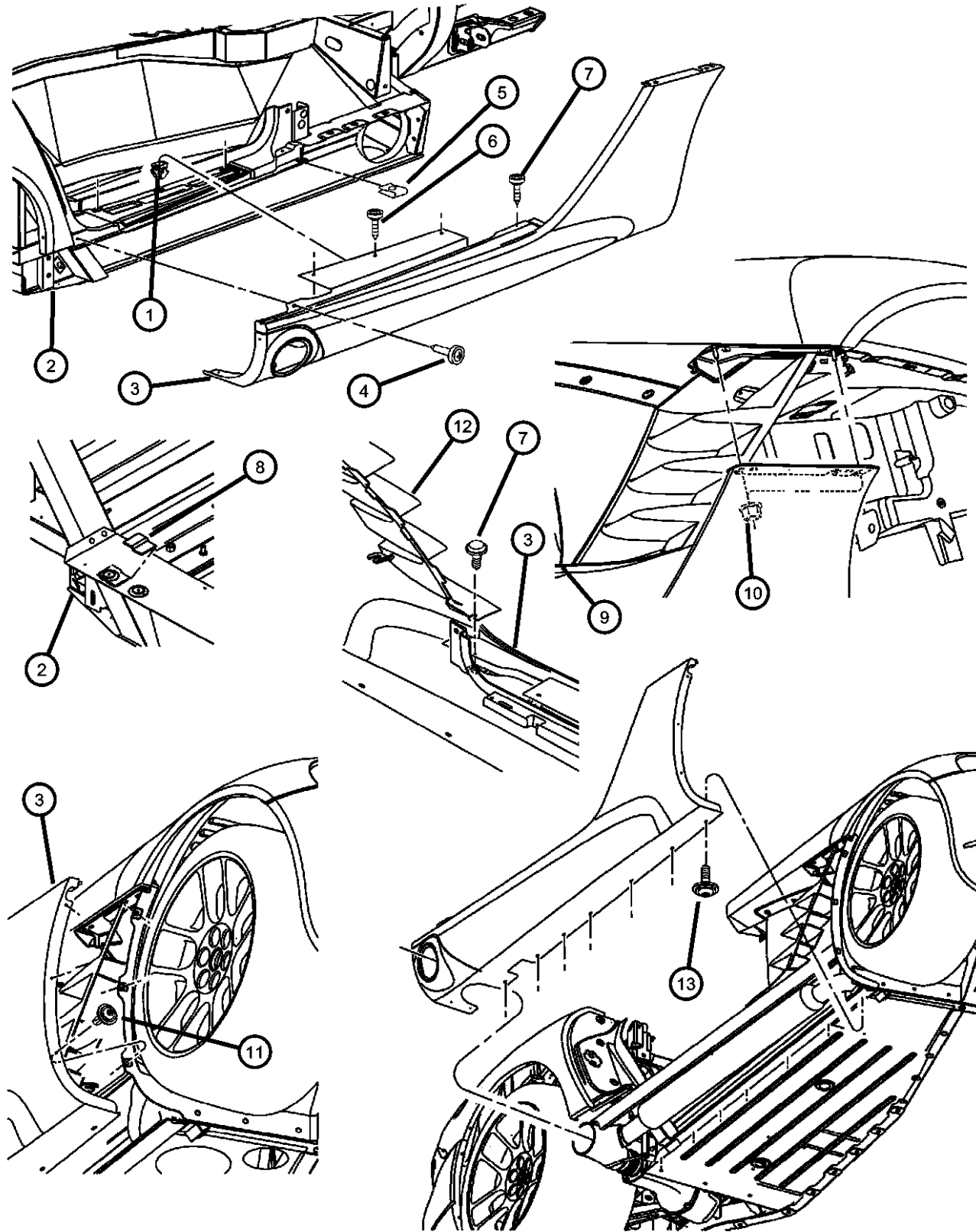
ITEM	PART NUMBER	QTY	LINE	SERIES	BODY	ENGINE	TRANS	TRIM	DESCRIPTION
1									SILL COVER, Interior
	0TR88DX9AB	1			27			*00	Right
	0TR89DX9AB	1			27			*00	Left
2	0TR89DX9AB	1							SCREW, Tap Hex Flange Head, .190-16x1.0, (NOT SERVICED)
3	0TR89DX9AB	1							PANEL, Reference - See Ill. 215, (NOT REQUIRED)
4	5DV62DX9	3						*00	FASTENER, Trim Panel Attaching
5	04865929AC	1			27				FOOTREST
6	06101737	2							SCREW, M6x1.0x18, Footrest Attaching
-7	04865830AB	2							BRACKET, Sill To FenderRight & Left
-8									PANEL, Sill
	05086368AC	1			27				Service Dealer Painted, Right
	05086369AC	1			27				Service Dealer Painted, Left

VIPER (ZB)

SERIES	LINE	BODY	ENGINE	TRANSMISSION
S = SRT-10	D = DODGE	27 = 2-DR CONVERTIBLE	EWC = Engine - 8.3L V10 SFI	DEC = 6-Speed Manual
X = Coupe		29 = SPECIALTY COUPE		DBB = All Manual Transmissions

AR = use ase required - = Non illustrated part

Panel - Sill Outer
Figure IZB-225



ITEM	PART NUMBER	QTY	LINE	SERIES	BODY	ENGINE	TRANS	TRIM	DESCRIPTION
Note: (P.A.R.) = Paint As Required									
1	06507528AA	6							NUT, Snap In, M4.8x1.6, Barbs - Sill Attaching
2	06507528AA	6							FRAME, Reference, (NOT REQUIRED)
3									PANEL, Sill
	05086368AC	1							Paint as Required, Right
	05086369AC	1							Paint as Required, Left
4	06501067	2							PIN, Push, M6.3x20.5, Sill To Rear Quarter Panel
5	06501067	2							NUT/SPRING, "U" 1 THD, Barb, For [.164-18] Screw, (NOT SERVICED)
6	06035625	8							SCREW, Sill Door Surround
7	06035625	8							SCREW, [.164-18x.750], (NOT SERVICED)
8	05029281AA	2							ISOLATOR, Door Surround Seal
9	05029281AA	2							FENDER, Reference, (NOT REQUIRED)
10	06101444	4							NUT AND WASHER, Hex, M6x1.0, Sill to Fender Attaching
11	06507453AA	6			27				BOLT AND RETAINER, M6.35x12.70, Sill Panel To Splash Shield Attaching
12	06507453AA	6							FENDER, Grille [Reference], (NOT REQUIRED)
13	06035625	11							SCREW, Sill Arrachment to Frame

VIPER (ZB)

SERIES
S = SRT-10
X = Coupe

LINE
D = DODGE

BODY
27 = 2-DR CONVERTIBLE
29 = SPECIALTY COUPE

ENGINE
EWC = Engine - 8.3L V10 SFI

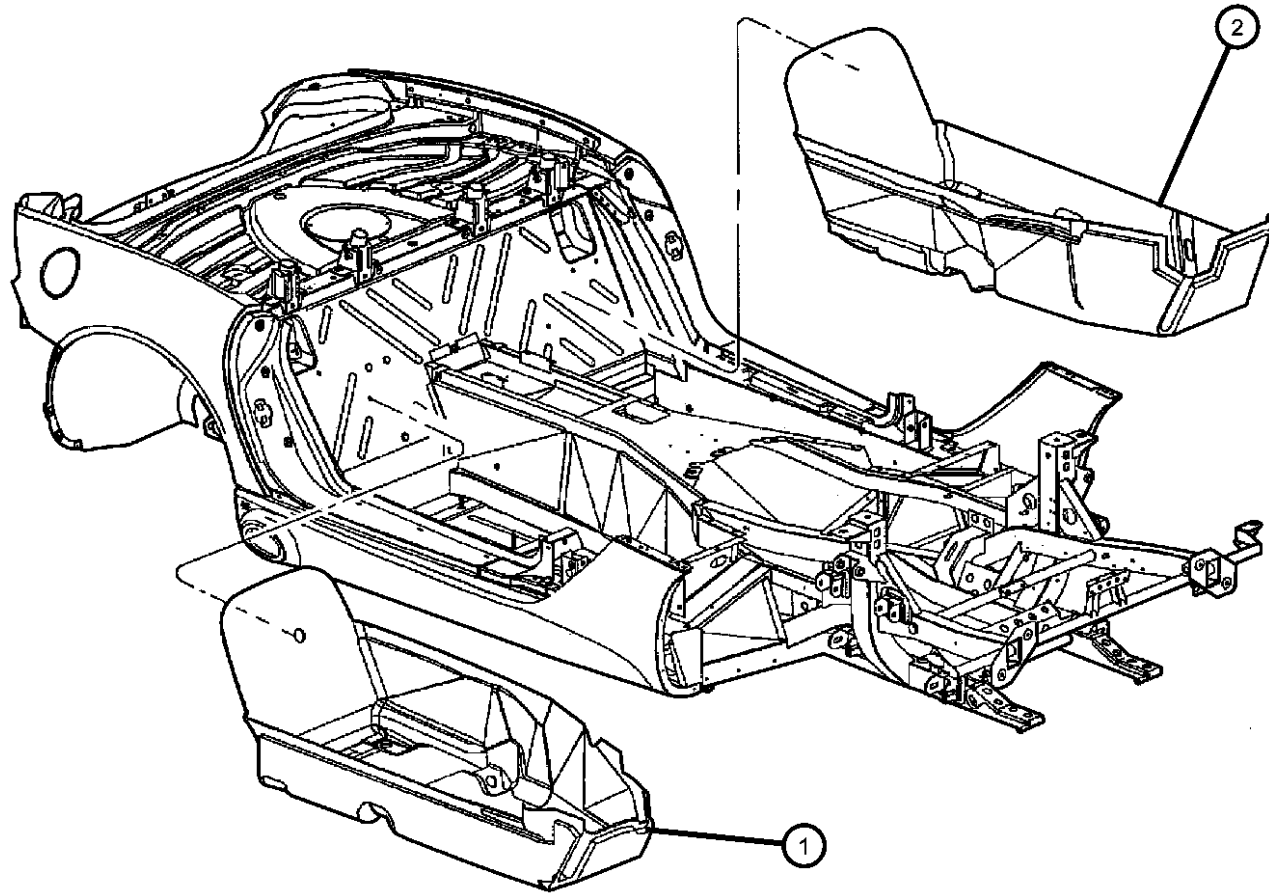
TRANSMISSION
DEC = 6-Speed Manual
DBB = All Manual Transmissions

AR = use ase required - = Non illustrated part

2003 ZB

**Carpet Front
Figure IZB-310**

ITEM	PART NUMBER	QTY	LINE	SERIES	BODY	ENGINE	TRANS	TRIM	DESCRIPTION
1	0TU02DX9AB	1						*00	CARPET, Front FloorRight
2	0TU03DX9AB	1						*00	CARPET, Front FloorLeft
-3	04865929AC	1			27				FOOTREST
-4	06101737	2							SCREW, M6x1.0x18, Footrest Attaching
-5	05102048AA	1			27				PAD, Foot Rest
-6	05096017AA	1						*00	PANEL, Bulkhead



VIPER (ZB)

SERIES
S = SRT-10
X = Coupe

LINE
D = DODGE

BODY
27 = 2-DR CONVERTIBLE
29 = SPECIALTY COUPE

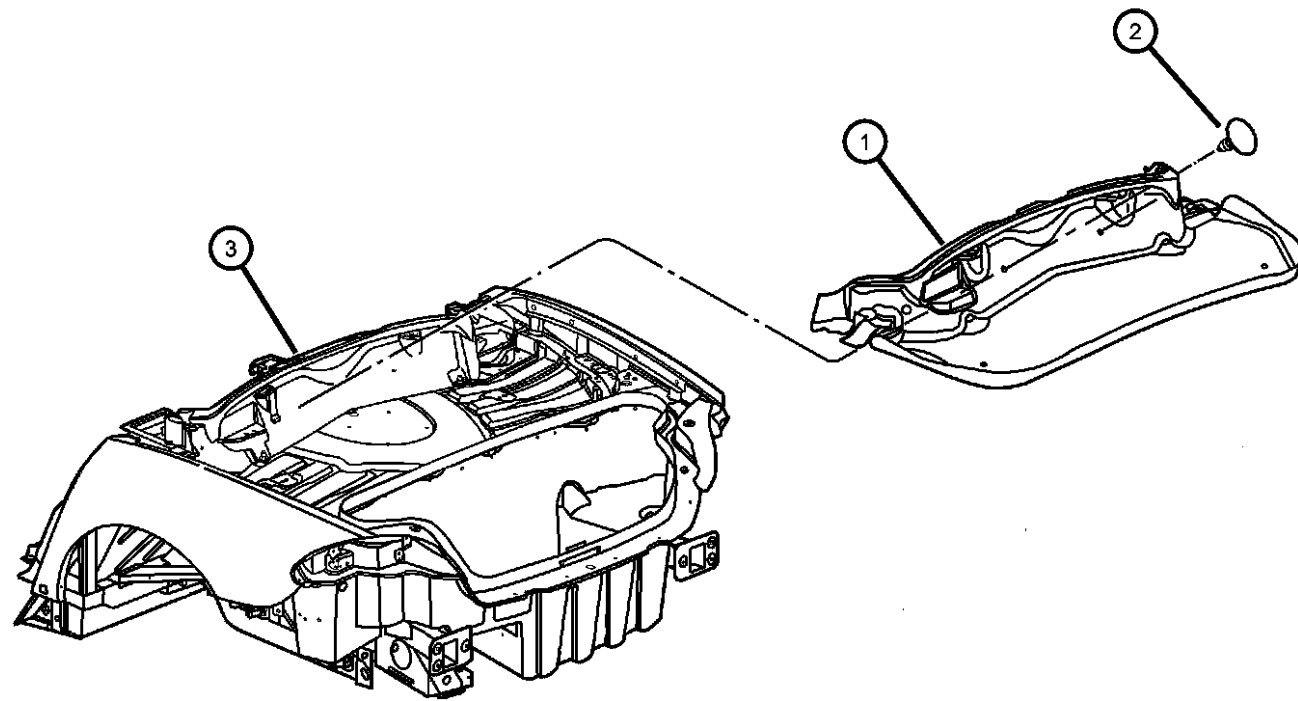
ENGINE
EWC = Engine - 8.3L V10 SFI
TRANSMISSION
DEC = 6-Speed Manual
DBB = All Manual Transmissions

AR = use ase required - = Non illustrated part

2003 ZB

**Carpet Rear - Slingwell
Figure IZB-315**

ITEM	PART NUMBER	QTY	LINE	SERIES	BODY	ENGINE	TRANS	TRIM	DESCRIPTION
1	0TU06VXLAA	1						*00	SLINGWELL, Folding Top, Top Stack Carpet
2	5DV62DX9	4						*00	FASTENER, Trim Panel Attaching, Carpet Attaching
3	5DV62DX9	4							PANEL, Bulkhead Trim Rear, Reference, (NOT SERVICED)



VIPER (ZB)

SERIES
S = SRT-10
X = Coupe

LINE
D = DODGE

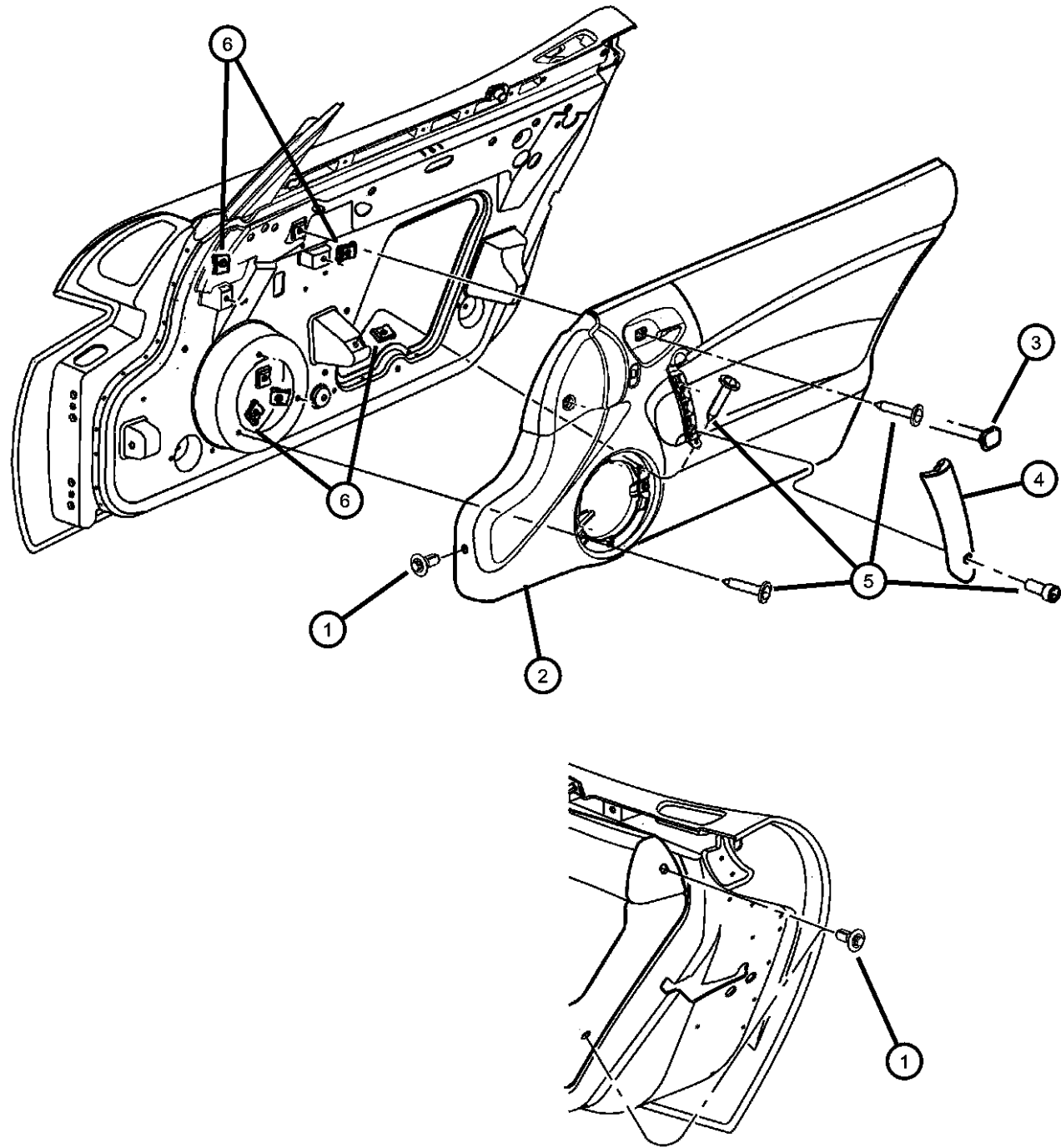
BODY
27 = 2-DR CONVERTIBLE
29 = SPECIALTY COUPE

ENGINE
EWC = Engine - 8.3L V10 SFI

TRANSMISSION
DEC = 6-Speed Manual
DBB = All Manual Transmissions

AR = use ase required - = Non illustrated part

Door Panel
Figure IZB-410



ITEM	PART NUMBER	QTY	LINE	SERIES	BODY	ENGINE	TRANS	TRIM	DESCRIPTION
1	5GC71DX9AA	6						*00	FASTENER, Push Pin
2	0XC871X9AA	1						*00	PANEL, Door Trim Front
	0XC921X9AA	1						*00	[X9], Left
	0XC921X9AA	1						*00	[X9], Right
3	0LE82DX9	2						*00	CAP, Pull Cup Screw Cover
4	0UA36SZ6AA	1						*00	APPLIQUE, Door
	0UA37SZ6AA	1						*00	Right, Grab Handle
	0UA37SZ6AA	1						*00	Left, Grab Handle
5	06036430AA	2							SCREW, Attaching, Grab Handle
6	06036430AA	2							NUT/SPRING, "U" 1 THD, .190-16, (NOT SERVICED)
-7	00153754	14							SCREW, .190-16x1.00, Door Panel Attaching

VIPER (ZB)

SERIES
S = SRT-10
X = Coupe

LINE
D = DODGE

BODY
27 = 2-DR CONVERTIBLE
29 = SPECIALTY COUPE

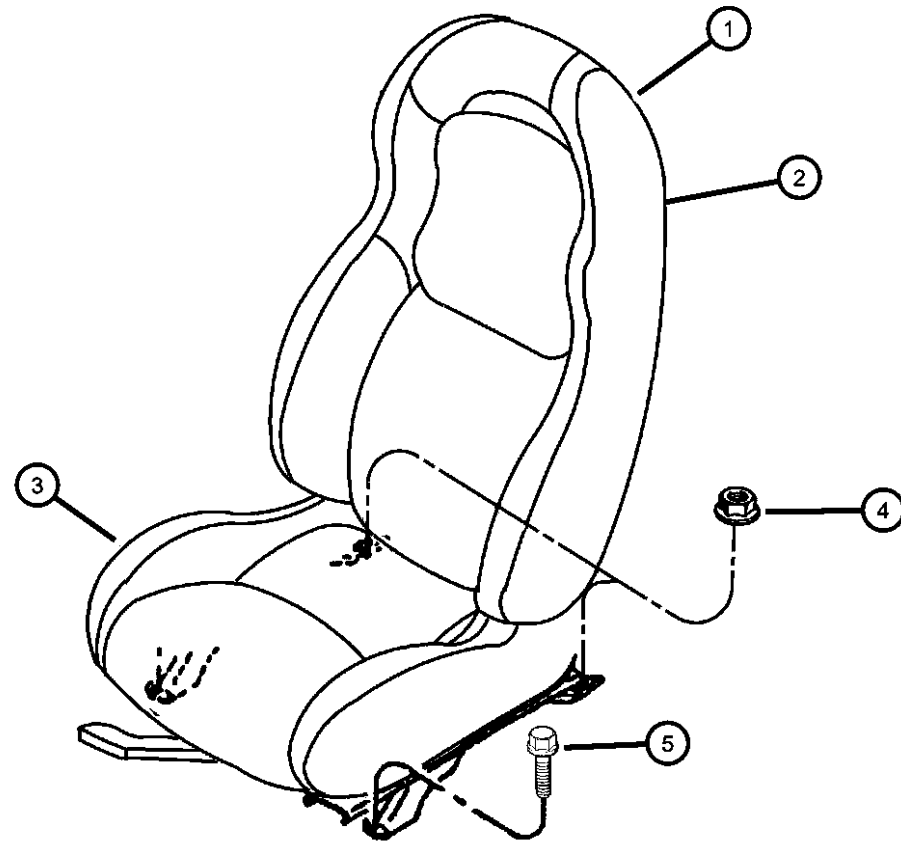
ENGINE
EWC = Engine - 8.3L V10 SFI

TRANSMISSION
DEC = 6-Speed Manual
DBB = All Manual Transmissions

AR = use ase required - = Non illustrated part

2003 ZB

Seat, Front
Figure IZB-510



ITEM	PART NUMBER	QTY	LINE	SERIES	BODY	ENGINE	TRANS	TRIM	DESCRIPTION
1									SEAT BACK, Front
	0XD041X9AA	1						*CL	Right
	0XD051X9AA	1						*CL	Left
2	0XD031X9AA	1						*CL	COVER, Front Seat BackRight & Left
3									CUSHION, Front Seat
	0XD011X9AA	1						*CL	Left
	0XD021X9AA	1						*CL	Right
4	06101448	4							NUT AND WASHER, Hex Nut-Coned Washer, M10 x 1.5, Attaching, Front Seat
5	06101085	4							SCREW/WASHER, Attaching, Front Seat
-6									TRACK, Seat Adjuster
	05093206AA	1						*CL	Outboard, Right
	05093207AA	1						*CL	Inboard, Right
	05093208AA	1						*CL	Outboard, Left
	05093209AA	1						*CL	Inboard, Left
-7	05018530AA	1						*CL	HANDLE, FOLD FLAT
-8	05018529AA	1						*CL	HANDLE, Recliner
-9	05083950AA	1						*O0	HANDLE/SWITCHRight
-10	05096019AA	1						*O0	HANDLE/SWITCHLeft
-11	05093210AA	1						*CL	TOWEL BAR, Seat Adjuster Handle
-12									RECLINER, Seat Back
	05093212AA	1						*CL	Passenger, Outboard
	05093213AA	1						*CL	Passenger, Inboard
	05093214AA	1						*CL	Driver, Inboard
	05093215AA	1						*CL	Driver, Outboard
-13	06503675	4				27			SCREW AND WASHER, Hex Head, M10x1.5x40, Front Seat Attaching

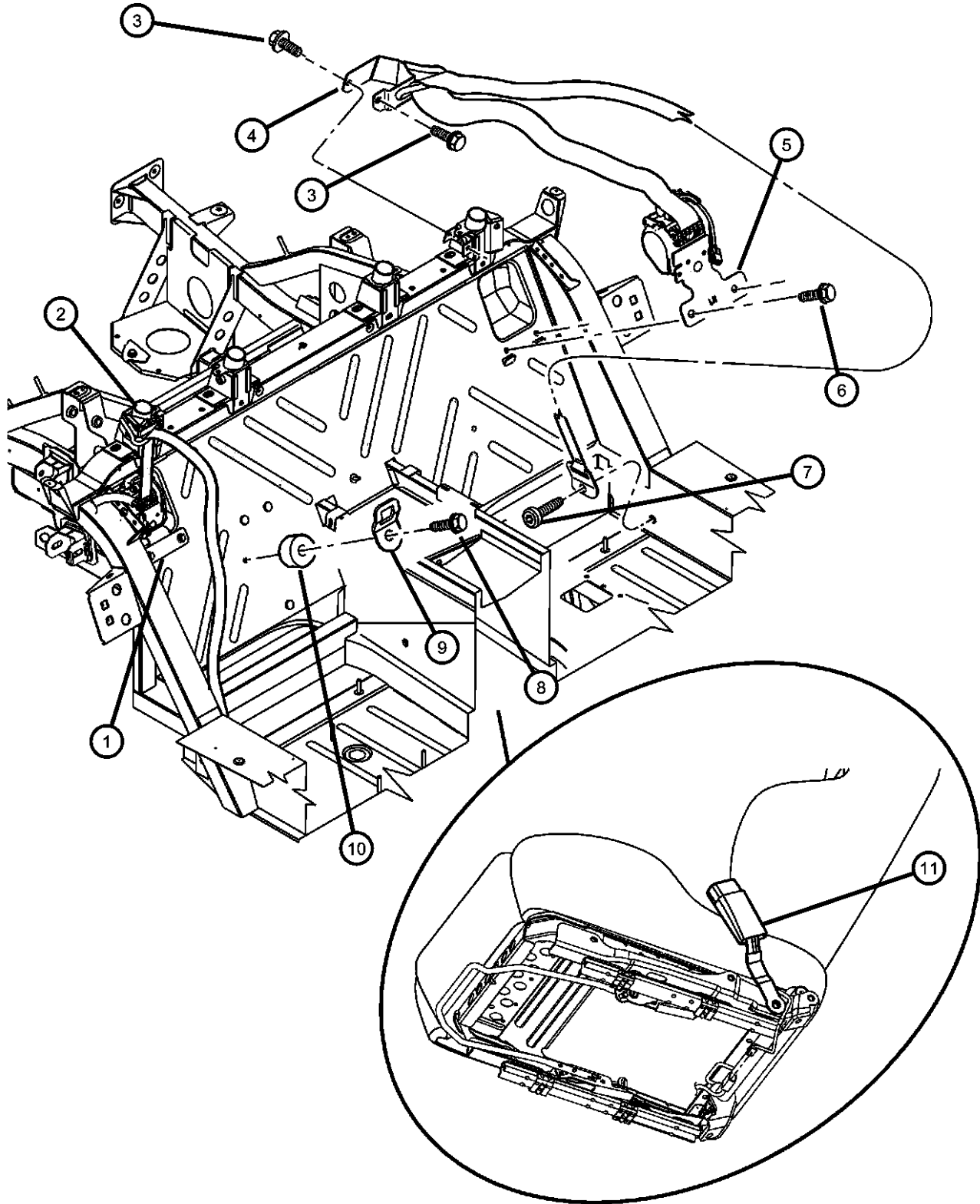
VIPER (ZB)

SERIES	LINE	BODY	ENGINE	TRANSMISSION
S = SRT-10	D = DODGE	27 = 2-DR CONVERTIBLE	EWC = Engine - 8.3L V10 SFI	DEC = 6-Speed Manual
X = Coupe		29 = SPECIALTY COUPE		DBB = All Manual Transmissions

AR = use ase required - = Non illustrated part

2003 ZB

Belts - Front
Figure IZB-710



ITEM	PART NUMBER	QTY	LINE	SERIES	BODY	ENGINE	TRANS	TRIM	DESCRIPTION
1	0UB641X9AB	1			27			*O0	SEAT BELT, FrontRight
2	05029126AB	1							TURNING LOOP, Seat BeltRight
3	06101758	4							SCREW, Hex Head, M8x1.25x20Turn Loop Attachment Front
4									TURNING LOOP, Seat Belt Right
	05029126AB	1			27				
	05029127AB	1			27				Left
5	0UB651X9AB	1			27			*O0	SEAT BELT, FrontLeft
6	06503571	4							SCREW AND WASHER, M10x1.50x35, Retractor Attaching
7	06036512AA	2							SCREW, Pan Head, .437-20x1.375, To Frame Tunnel, Seat Belt
8	06101569	1							SCREW AND WASHER, Hex Head, M8-1.25x40, Child Seat Teather
9	05029290AA	1							PLATE, Child Tether Anchor
10	06501850	1						*O0	SPACER, Child Seat Teather
11	0TQ881X9AB	1						*CL	SEAT BELT, Buckle Half
-12	0XN611X9AA	1						*CL	BUCKLE
-13	05086227AA	1						*O0	EXTENDER, Seat Belt
-14	06100583	1			27				BOLT AND CONED WASHER, Hex Head, M8x25x20, Child Seat Teather
-15	05093280AA	1						*O0	BUTTON, BELT WEBBING

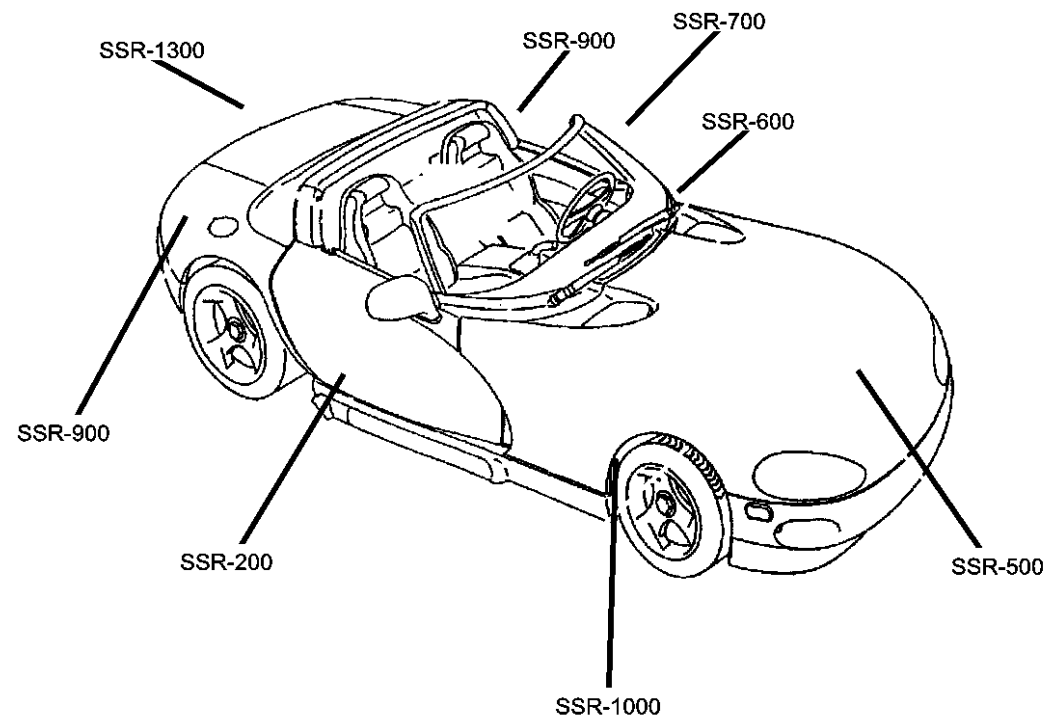
VIPER (ZB)

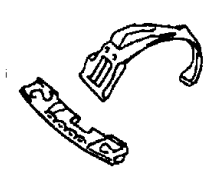
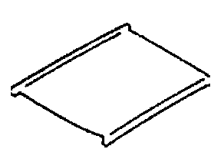
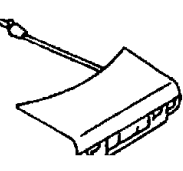
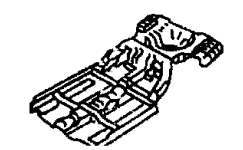
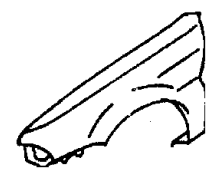
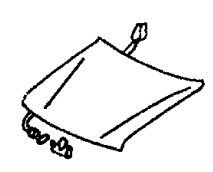
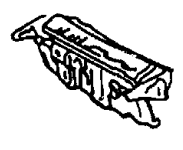

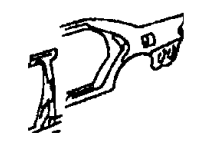
SERIES	LINE	BODY	ENGINE	TRANSMISSION
S = SRT-10	D = DODGE	27 = 2-DR CONVERTIBLE	EWC = Engine - 8.3L V10 SFI	DEC = 6-Speed Manual
X = Coupe		29 = SPECIALTY COUPE		DBB = All Manual Transmissions

AR = use ase required - = Non illustrated part

Group - SZB

Body Sheet Metal Except Doors

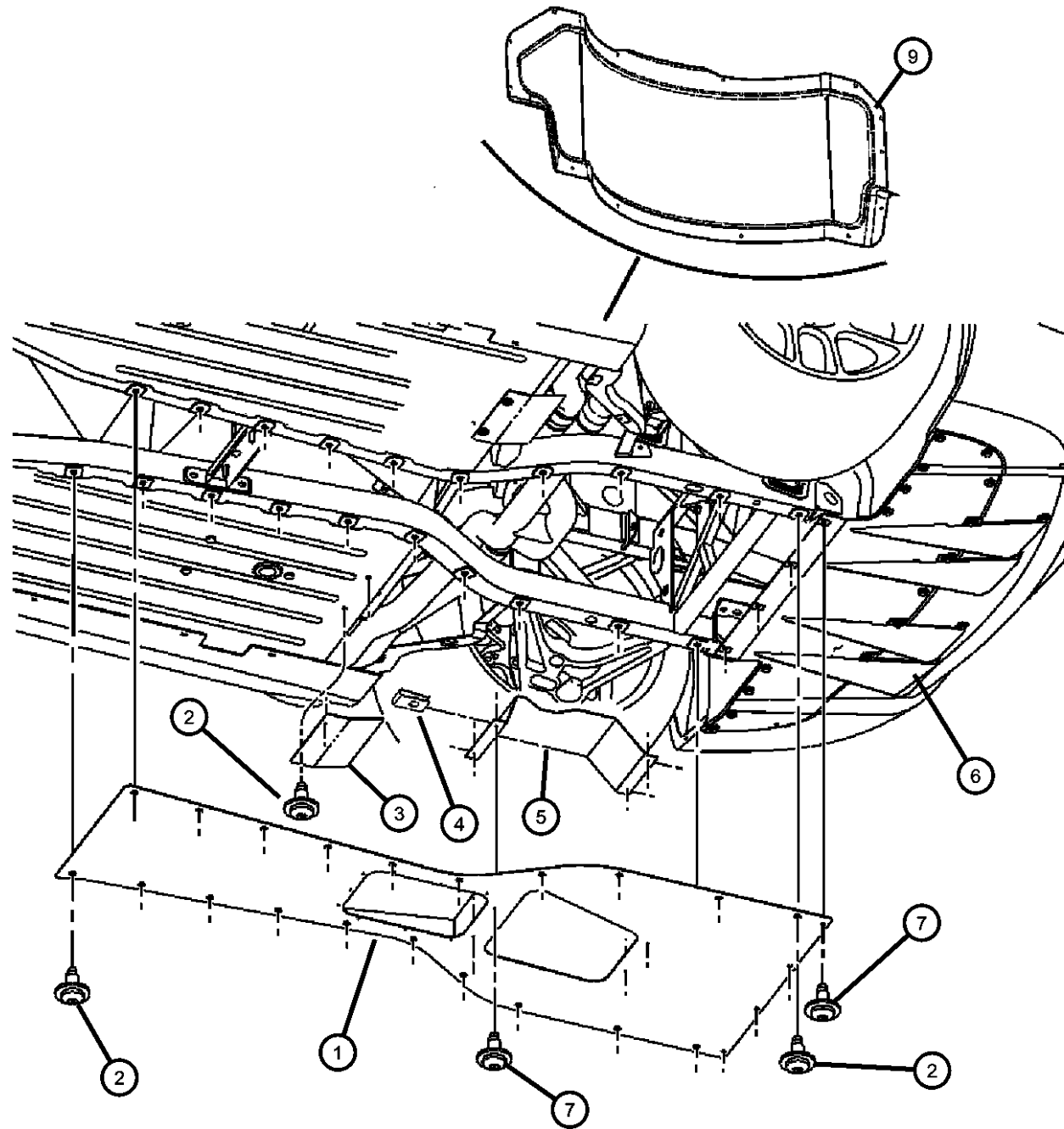


SZB-1000 Splash Shields 	SZB-1100 Roof - Hard & Folding Top 	SZB-1300 Deck Lid 	SZB-200 Floor Pan 
SZB-400 Fender 	SZB-500 Hood & Hood Release 	SZB-600 Cowl and Dash Panel 	SZB-700 Glass, Windshield, Backlite, Mirror 
SZB-900 Quarter Panel 			

Group - SZB Body Sheet Metal Except Doors

Illustration Title	Group-Fig. No.
Floor Pan	
Floor Pan	Fig. SZB - 205
Floor Pan - Sport Hoop Mounting	Fig. SZB - 210
Floor Pan - Attaching Parts	Fig. SZB - 215
Pan - Trunk	Fig. SZB - 220
Fender	
Front Fender & Attaching Parts	Fig. SZB - 405
Front Fender	Fig. SZB - 410
Fender Shield	Fig. SZB - 420
Shields - Splash	Fig. SZB - 425
Loose Panels	Fig. SZB - 430
Hood & Hood Release	
Hood	Fig. SZB - 510
Hood Silencer	Fig. SZB - 515
Hood Sealer	Fig. SZB - 520
Cowl and Dash Panel	
Dash Panel	Fig. SZB - 610
Cowl Panel	Fig. SZB - 615
Glass, Windshield, Backlite, Mirror	
Panel - Windshield Surround	Fig. SZB - 705
Glass Windshield, Frame And Mirror (Convertible)	Fig. SZB - 710
Quarter Panel	
Quarter Panel - Rear	Fig. SZB - 910
Panel - Tail Lamp	Fig. SZB - 920
Loose Panels	Fig. SZB - 930
Splash Shields	
Weatherstrips	Fig. SZB - 1010
Shields - Rear Wheelhouse	Fig. SZB - 1020
Roof - Hard & Folding Top	
Folding Top	Fig. SZB - 1110
Folding Top - Attaching Parts	Fig. SZB - 1115
Deck Lid	
Deck Lid	Fig. SZB - 1320
Fuel Filler Door	Fig. SZB - 1330

Floor Pan
Figure SZB-205



ITEM	PART NUMBER	QTY	LINE	SERIES	BODY	ENGINE	TRANS	TRIM	DESCRIPTION
1	05290078AD	1							BELLY PAN, Rear
2	06505070AA	20							SCREW, Pan Head, Rear Belly Pan To Frame
3	05290221AB	2			27				EXTENSION, Floor Pan
4	00152493	4							NUT, Heat Shield to Rear Pan
5	05290247AA	1							SHIELD, Heat
6	05290137AD	1			27				BELLY PAN, Extension Rear
7	06035625	4							SCREW
-8	05029239AA	1							PANEL, Fuel Access, Trunk
9	05136832AA	1			27				PANEL, Fuel Tank Close Out

VIPER (ZB)

SERIES
S = SRT-10
X = Coupe

LINE
D = DODGE

BODY
27 = 2-DR CONVERTIBLE
29 = SPECIALTY COUPE

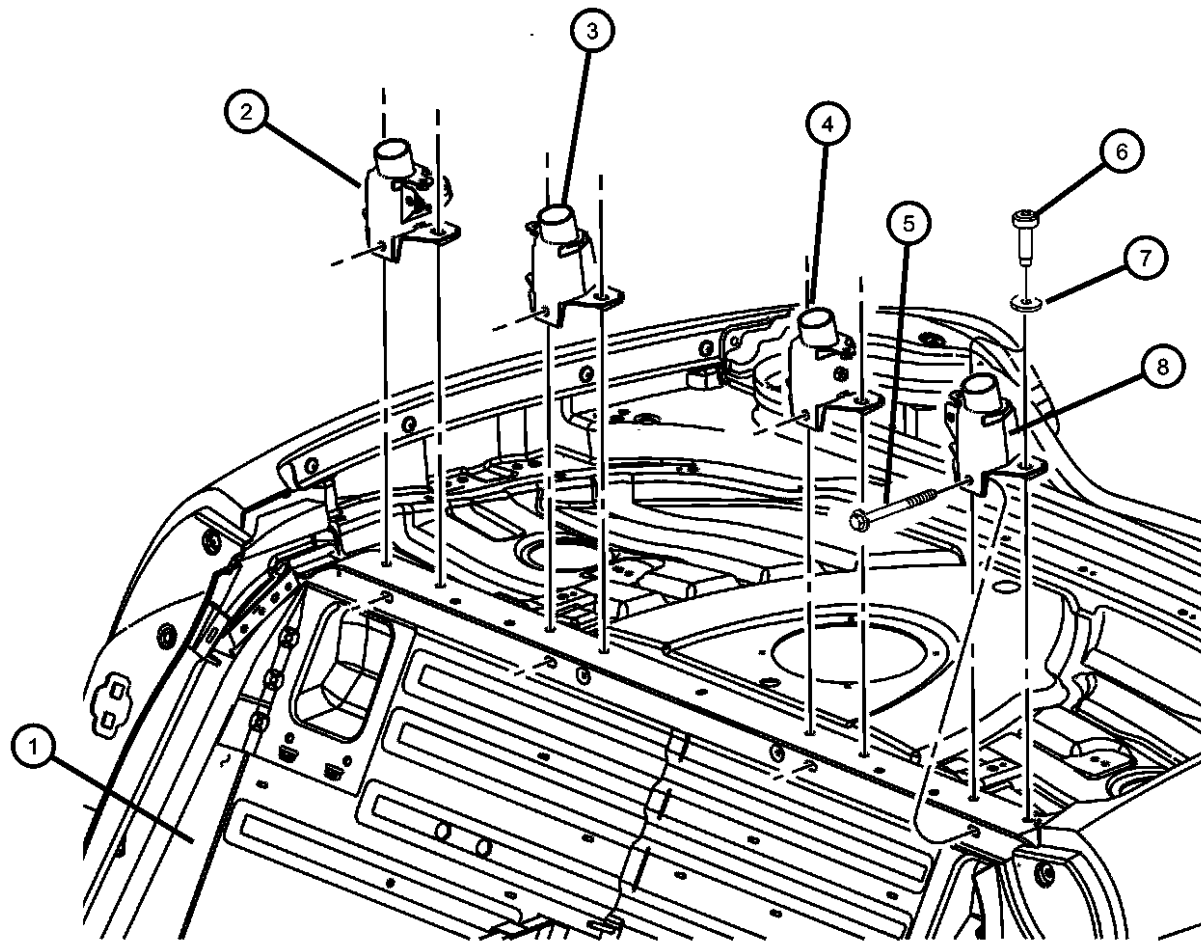
ENGINE
EWC = Engine - 8.3L V10 SFI

TRANSMISSION
DEC = 6-Speed Manual
DBB = All Manual Transmissions

AR = use ase required - = Non illustrated part

2003 ZB

**Floor Pan - Sport Hoop Mounting
Figure SZB-210**



ITEM	PART NUMBER	QTY	LINE	SERIES	BODY	ENGINE	TRANS	TRIM	DESCRIPTION
1	05136832AA	1							FRAME, Reference, (NOT REQUIRED)
2	05290108AA	1							BRACKET, Sport Hoop MountingRight, Outer
3	05290048AA	1							BRACKET, Sport Hoop MountingRight, Inner
4	05290049AA	1							BRACKET, Sport Hoop MountingLeft, Inner
5	06102122AA	4							BOLT
6	06034383	8							SCREW, Pan Head, .437-20x1.5
7	06506890AA	2							WASHER, Flat
8	05290109AA	1							BRACKET, Sport Hoop MountingLeft, Outer

VIPER (ZB)

SERIES

S = SRT-10
X = Coupe

LINE

D = DODGE

BODY

27 = 2-DR CONVERTIBLE
29 = SPECIALTY COUPE

ENGINE

EWC = Engine - 8.3L V10 SFI

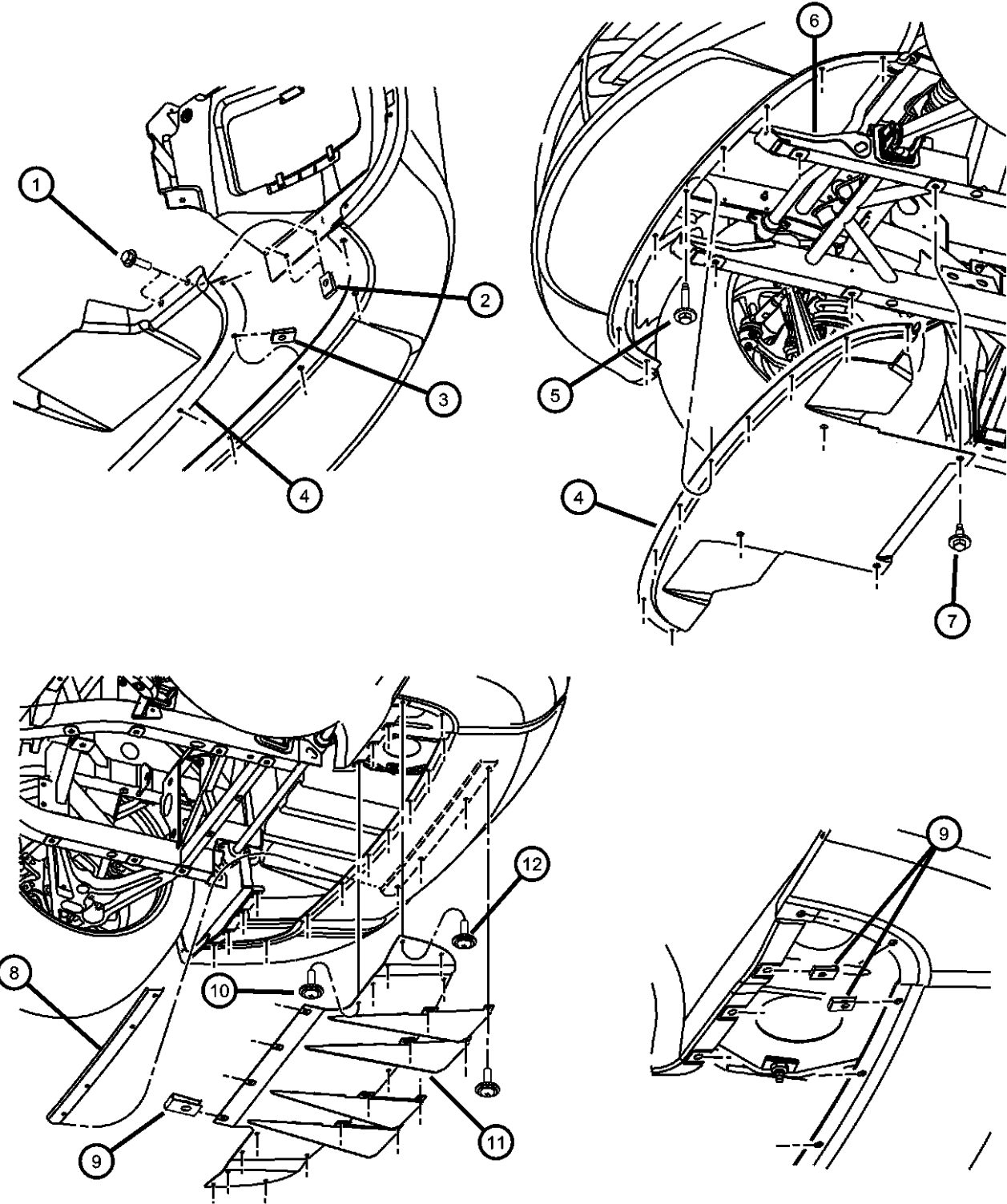
TRANSMISSION

DEC = 6-Speed Manual
DBB = All Manual Transmissions

AR = use ase required - = Non illustrated part

2003 ZB

**Floor Pan - Attaching Parts
Figure SZB-215**



ITEM	PART NUMBER	QTY	LINE	SERIES	BODY	ENGINE	TRANS	TRIM	DESCRIPTION
1	06035625	4							SCREW, Front Extension to Headlamp Bracket
2	06504118	8			27				U-NUT, M6 x 1.00, M6x1.00Front, Extension
3	00152493	9							NUT, To Fascia, Front, Extension
4	05290136AD	1			27				BELLY PAN, Extension Front
5	06035625	9							SCREW
6	06035625	9							FRAME, Reference, (NOT REQUIRED)
7	06505070AA	4							SCREW, Pan Head, Front Belly Pan Extension To Frame
8	05290246AA	1			27				PLATE, Check wed.
9	00152493	4							NUT, Belly Pan to Rear Extension, Rear
10	06035625	6							SCREW
11	05290137AD	1			27				BELLY PAN, Extension Rear
12									SCREW
	06035625	9							
		4							
-13	05029233AA	2							REINFORCEMENT, Trunk Pan

VIPER (ZB)

SERIES

LINE

BODY

ENGINE

TRANSMISSION

S = SRT-10

D = DODGE

27 = 2-DR CONVERTIBLE

EWC = Engine - 8.3L V10 SFI DEC = 6-Speed Manual

X = Coupe

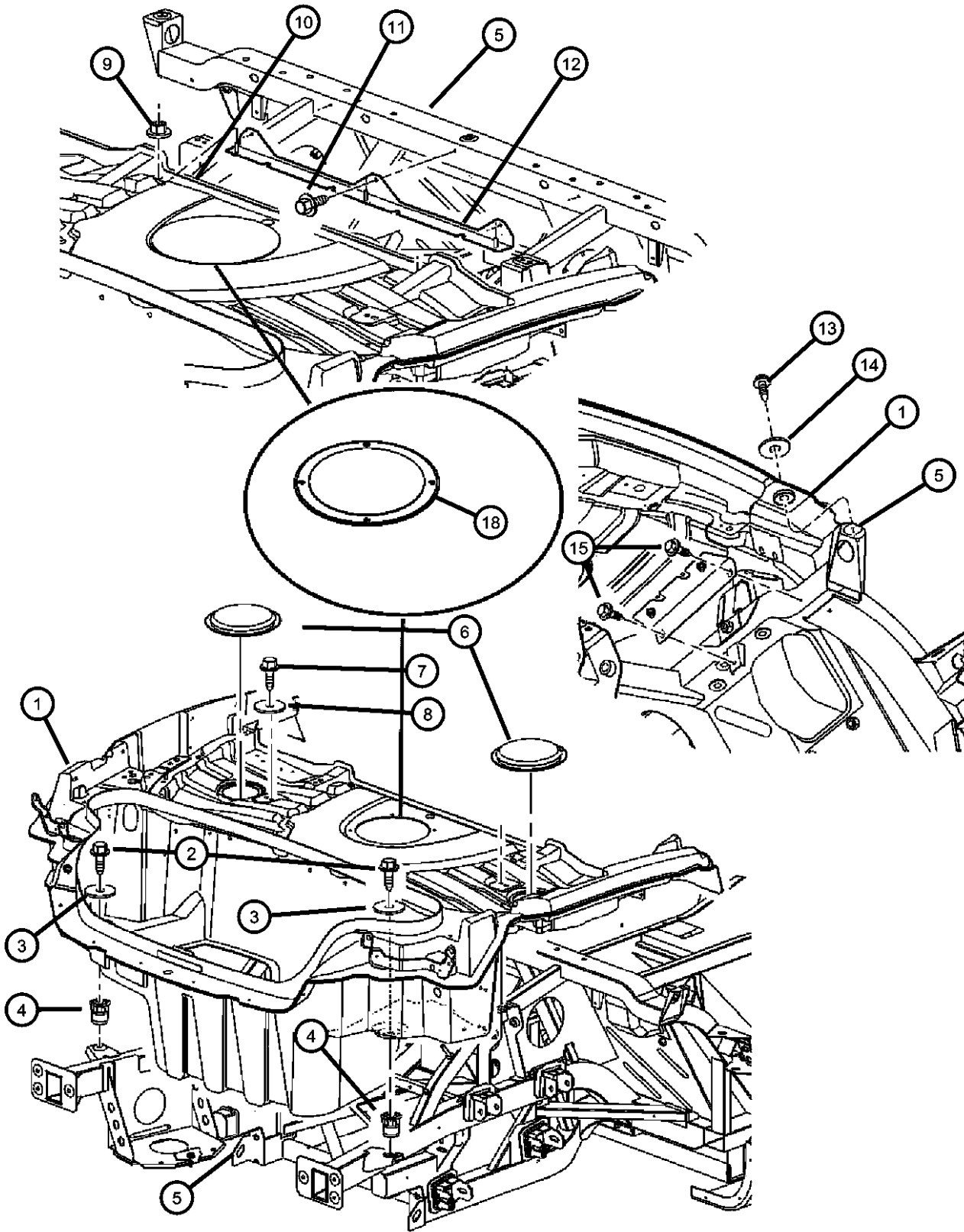
29 = SPECIALTY COUPE

DBB = All Manual Transmissions

AR = use ase required - = Non illustrated part

2003 ZB

Pan - Trunk
Figure SZB-220



ITEM	PART NUMBER	QTY	LINE	SERIES	BODY	ENGINE	TRANS	TRIM	DESCRIPTION
Note: S.D.P.= Service Dealer Paint									
1	04865472AB	1			27				PAN, Trunk Primed, [S.D.P.]
2	04865472AB	1							SCREW AND WASHER, [M8x1.25x30.00], (NOT SERVICED)
3	04865472AB	1							WASHER, [ID13.07 OD48.00 THK 3.50], (NOT SERVICED)
4	04865472AB	1							NUT/RIVET, [M8x1.25x17.78], (NOT SERVICED)
5	04865472AB	1							FRAME, Reference, (NOT REQUIRED)
6	04708057	2							PLUG, Trunk Seal, Shock Service Plug
7	04708057	2							SCREW, [M8x1.25x25.00], (NOT SERVICED)
8	04708057	2							WASHER, [ID13.07 OD48.00 THK 3.50], (NOT SERVICED)
9	06504513	3							NUT AND WASHER, Hex Nut-Coned Washer, M6 x 1.00, Trunk Pan Attaching
10	06504513	3							SEAL, Serviced With Item 1, (NOT SERVICED)
11	06102132AA	7							SCREW, Hex Head, M6x1x20, Trunk Pan To Frame Crossmember
12	04865772AA	1							BRACKET, Trunk Pan To Frame C/Member
13	06102132AA	2							SCREW, Hex Head, M6x1x20, Trunk Pan To Outboard Frame Bracket
14	06102132AA	2							WASHER, Flat, [ID M11.12 OD 28.00 THK 2.80], (NOT SERVICED)
15	06102132AA	7							SCREW, Hex Head, M6x1x20, Truck Pan to Frame Crossmember
-16	05029441AA	2			27				SEAL, Quarter Panel to TrunkpanFront
-17	05029442AA	4			27				SEAL, Quarter Panel to TrunkpanRear
18	05029239AA	1							PANEL, Fuel Access, Trunk

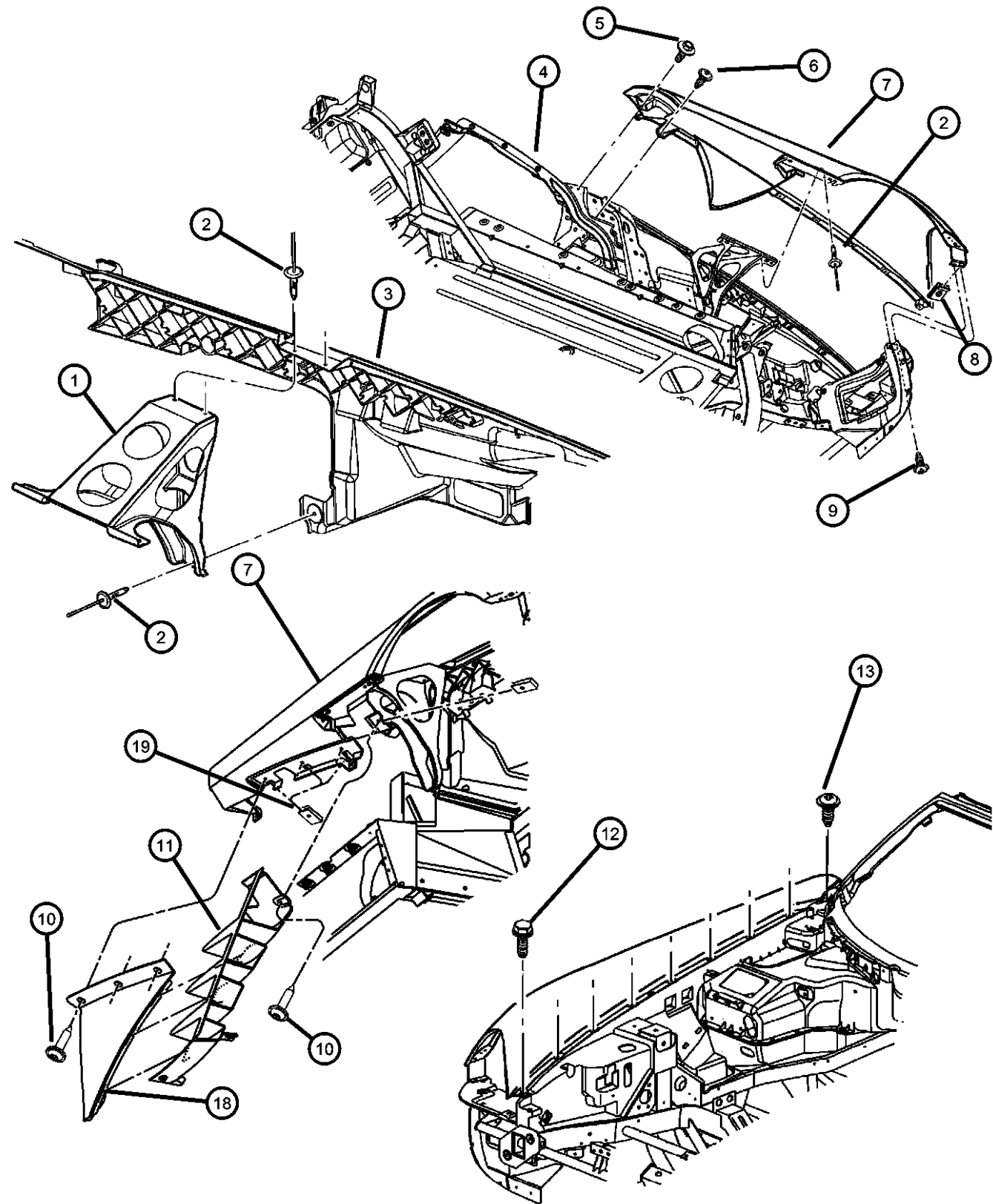
VIPER (ZB)

SERIES	LINE	BODY	ENGINE	TRANSMISSION
S = SRT-10	D = DODGE	27 = 2-DR CONVERTIBLE	EWC = Engine - 8.3L V10 SFI	DEC = 6-Speed Manual
X = Coupe		29 = SPECIALTY COUPE		DBB = All Manual Transmissions

AR = use ase required - = Non illustrated part

2003 ZB

**Front Fender & Attaching Parts
Figure SZB-405**



ITEM	PART NUMBER	QTY	LINE	SERIES	BODY	ENGINE	TRANS	TRIM	DESCRIPTION
------	-------------	-----	------	--------	------	--------	-------	------	-------------

Note: [P.A.R.] = Paint As Required

1	04865830AA	2							BRACKET, Sill To FenderRight & Left
2	04865830AA	2							RIVET, Blind .3.Leg [.187], (NOT SERVICED)
3									SUPPORT, Fender
	04865636AB	1							Right
	04865637AB	1							Left
4	0TP57RXFAA	1							FRAME, Windshield Surround
5	06102224AA	2							SCREW AND CONED WASHER, Hex Head, M5x0.80x20, To sill Reinforcement, Fender
6	06102224AA	2							SCREW, .190-16x.500, (NOT SERVICED)
7									FENDER, Front
	05029102AB	1							[P.A.R.], Right
	05029103AB	1							[P.A.R.], Left
8	06504118	1			27				U-NUT, M6 x 1.00, M6x1.00, Fender to Headlamp Extension Attaching
9	06035625	2							SCREW, Fender to Headlamp Extension Attaching
10	06036366AA	4							SCREW, Tapping, .164-18x.75, To Reinforcement, Fender
11									GRILLE, Fender
	05029276AA	1							Right
	05029277AA	1							Left
12	06102224AA	16							SCREW AND CONED WASHER, Hex Head, M5x0.80x20, Fender Attaching
13	06102224AA	16							SCREW, Tapping, .164-18x.625, Fender Support Attaching at Cowl, (NOT SERVICED)
-14	04860223	2			27				PLUG, Shock Tower Hole
-15	06034645	6							RIVET, .25 Grip-.06-.25, Sill Fender Bracket To Fender Support Attaching
-16	06507769AA	2							STUD, 1 End, M5x0.80x20.00, Fender to FOD
-17	04708057	2							PLUG, Trunk Seal, Shock Service Plug
18									COVER, Hinge
	05029244AA	1							Right

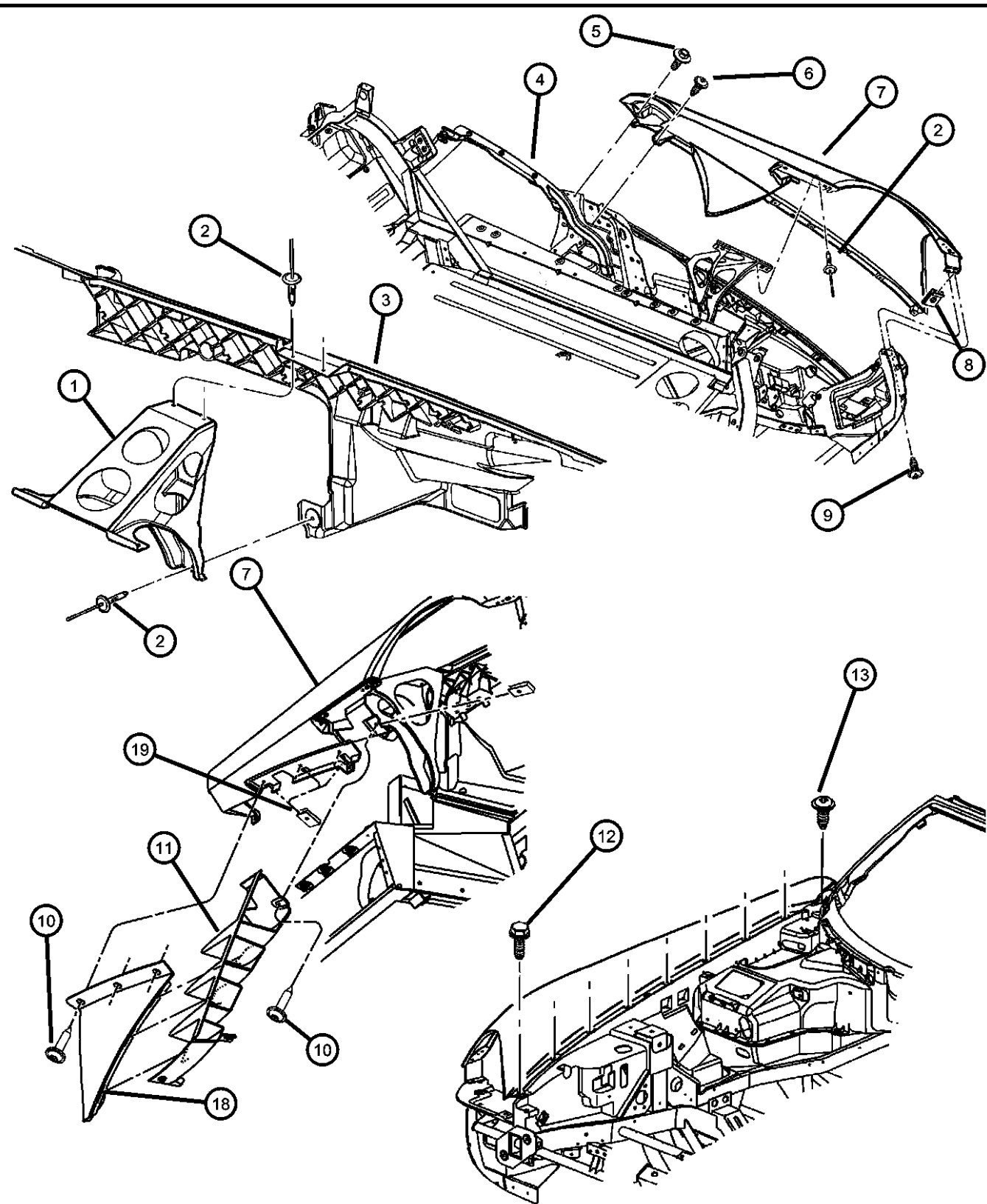
VIPER (ZB)

SERIES	LINE	BODY	ENGINE	TRANSMISSION
S = SRT-10	D = DODGE	27 = 2-DR CONVERTIBLE	EWC = Engine - 8.3L V10 SFI	DEC = 6-Speed Manual
X = Coupe		29 = SPECIALTY COUPE		DBB = All Manual Transmissions

AR = use ase required - = Non illustrated part

2003 ZB

Front Fender & Attaching Parts
Figure SZB-405



ITEM	PART NUMBER	QTY	LINE	SERIES	BODY	ENGINE	TRANS	TRIM	DESCRIPTION
------	-------------	-----	------	--------	------	--------	-------	------	-------------

	05029245AA	1							Left
19	05029245AA	1							STUD, 2-End [.190-24x.875], (NOT SERVICED)

VIPER (ZB)					
SERIES	LINE	BODY	ENGINE	TRANSMISSION	
S = SRT-10	D = DODGE	27 = 2-DR CONVERTIBLE	EWC = Engine - 8.3L V10 SFI	DEC = 6-Speed Manual	
X = Coupe		29 = SPECIALTY COUPE		DBB = All Manual Transmissions	

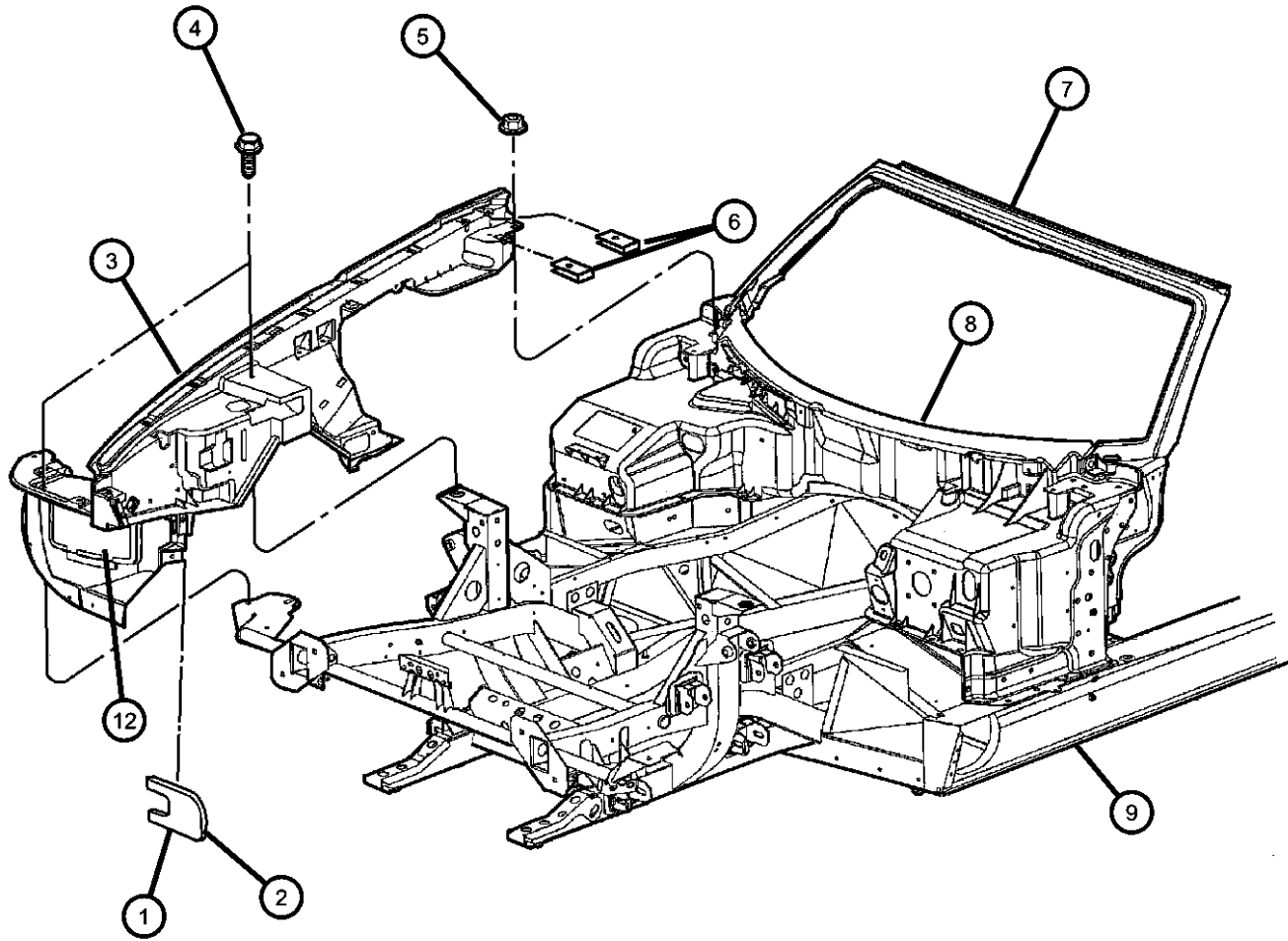
AR = use ase required - = Non illustrated part

**Front Fender
Figure SZB-410**

ITEM	PART NUMBER	QTY	LINE	SERIES	BODY	ENGINE	TRANS	TRIM	DESCRIPTION
------	-------------	-----	------	--------	------	--------	-------	------	-------------

Note:
[P.A.R.] = Paint As Required

1	35022112	AR							SPACER, Fender, 1.5
2	35022111	AR							SPACER, Fender, 1.0
3									SUPPORT, Fender
	04865636AB	1							Right
	04865637AB	1							Left
4	06102153AA	4							SCREW, Tapping, M8x20, Fender Support to Frame Attaching
5	06101445	2							NUT AND WASHER, Hex Nut-Coned Washer, M8 x 1.25, Fender Support to Toe Box Attaching
6	06101445	2							NUT/SPRING, Snap In, .164-18, (NOT SERVICED)
7	0TP57RXFAA	1							FRAME, Windshield Surround
8	04865495AA	1							PANEL, Dash
9	04865495AA	1							FRAME, Reference, (NOT SERVICED)
-10									FENDER, Front
	05029102AB	1							[P.A.R.], Right
	05029103AB	1							[P.A.R.], Left
-11	04865822AA	1							PANEL, Fog Lamp
12	04865822AA	1							PANEL, Fog Lamp



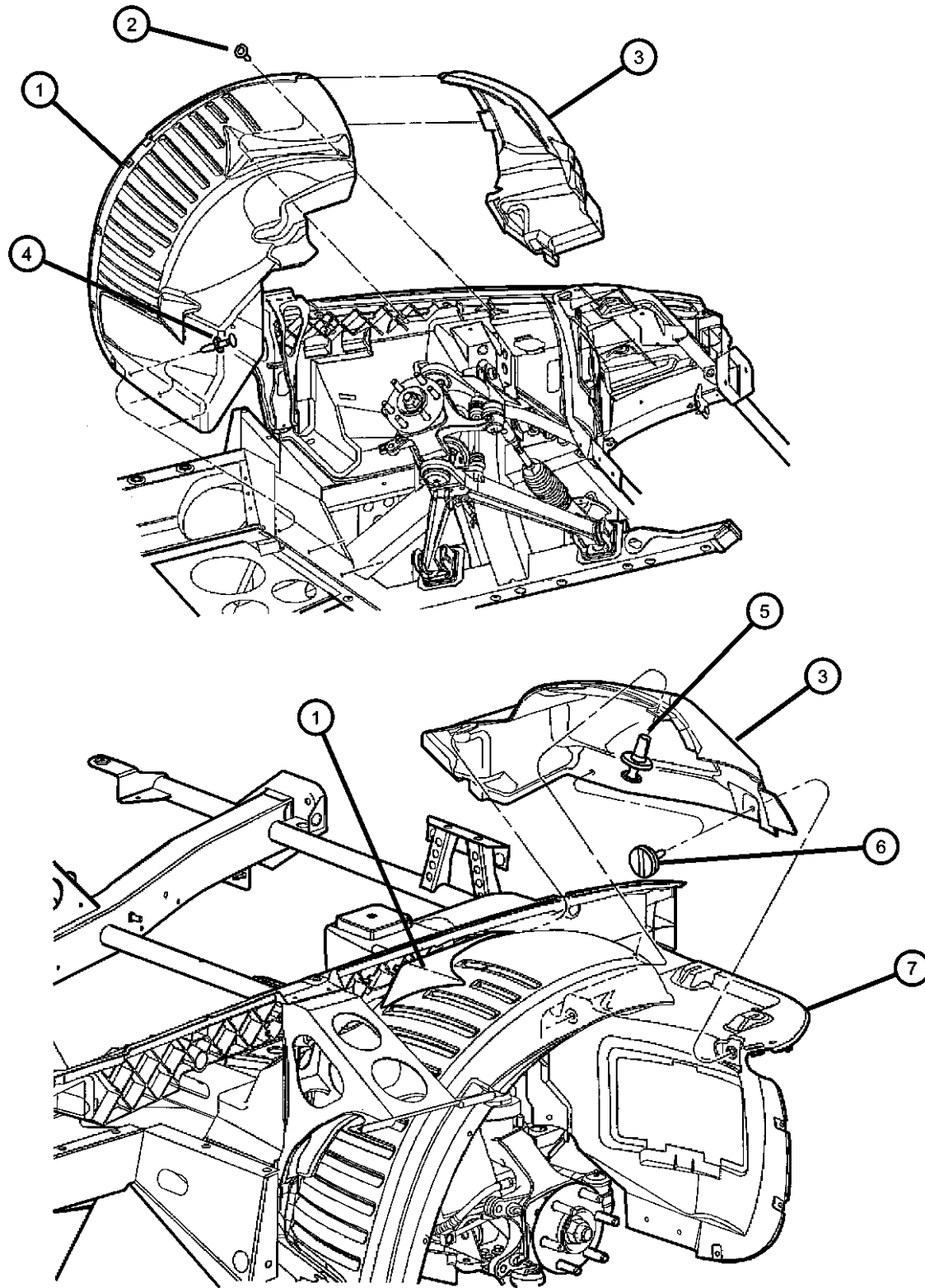
VIPER (ZB)

SERIES	LINE	BODY	ENGINE	TRANSMISSION
S = SRT-10	D = DODGE	27 = 2-DR CONVERTIBLE	EWC = Engine - 8.3L V10 SFI	DEC = 6-Speed Manual
X = Coupe		29 = SPECIALTY COUPE		DBB = All Manual Transmissions

AR = use ase required - = Non illustrated part

2003 ZB

Fender Shield
Figure SZB-420



ITEM	PART NUMBER	QTY	LINE	SERIES	BODY	ENGINE	TRANS	TRIM	DESCRIPTION
1	04865490AA	1							SHIELD, Splash Right, Front Fender
	04865491AA	1							Left, Front Fender
2	06102050AA	4							SCREW, Hex Flange Head, M6.3 x 1.81 x 15.00
3	04865724AA	1							SHIELD, Splash Splash Front Extension, Right
	04865725AA	1							Splash Front Extension, Left
4	06504521	6							PIN, Push, To Frame Attaching, Splash Shield
5	06507453AA	2							BOLT AND RETAINER, M6.35x12.70, Splash Extension to Splash Shield Attaching
6	04708180	4							SCREW, Splash Shield, Attaching, Front
7	04708180	4							FRAME, For Part Number See ILL 410 Item-3, (NOT SERVICED)

VIPER (ZB)

SERIES

S = SRT-10

X = Coupe

LINE

D = DODGE

BODY

27 = 2-DR CONVERTIBLE

29 = SPECIALTY COUPE

ENGINE

EWC = Engine - 8.3L V10 SFI

TRANSMISSION

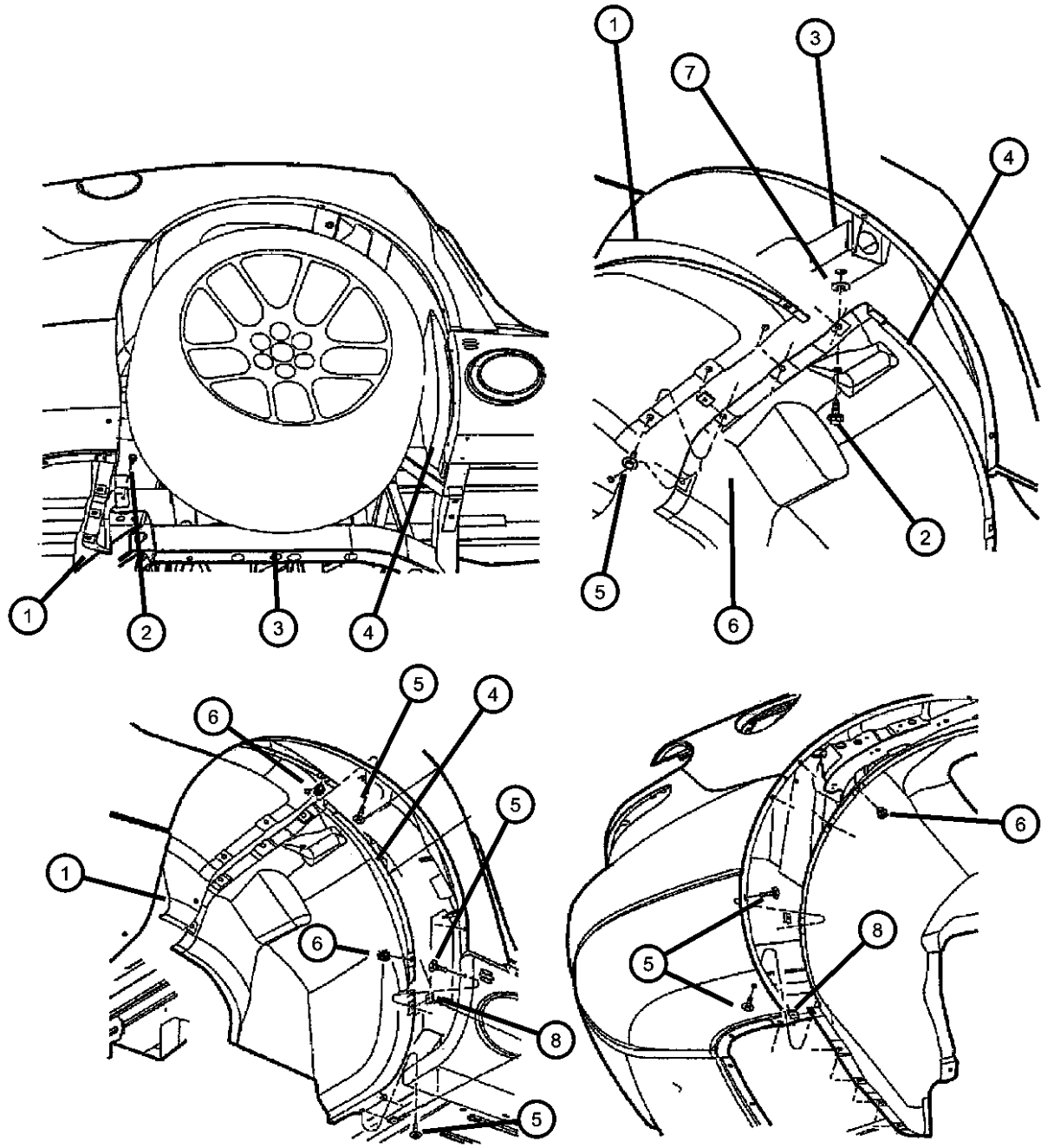
DEC = 6-Speed Manual

DBB = All Manual Transmissions

AR = use ase required - = Non illustrated part

2003 ZB

Shields - Splash
Figure SZB-425



ITEM	PART NUMBER	QTY	LINE	SERIES	BODY	ENGINE	TRANS	TRIM	DESCRIPTION
1									SHIELD, Splash
	04865646AC	1			27				Right, Rear, Lower
	04865647AC	1			27				Left, Rear, Lower
2	04865647AC	1							SCREW, Tapping, [.250-14x.875], (NOT SERVICED)
3	04865647AC	1							FRAME, Reference, (NOT REQUIRED)
4									SHIELD, Splash
	04865648AC	1			27				Right, Rear, Upper
	04865649AC	1			27				Left, Rear, Upper
5	06035625	30							SCREW, Splash Shield Attaching
6	06507528AA	6							NUT, Snap In, M4.8x1.6, Barbs - Splash Shield
7	06100877	2			27				WASHER, Flat, M6
8	06504118	8			27				U-NUT, M6 x 1.00, M6x1.00

VIPER (ZB)

SERIES
S = SRT-10
X = Coupe

LINE
D = DODGE

BODY
27 = 2-DR CONVERTIBLE
29 = SPECIALTY COUPE

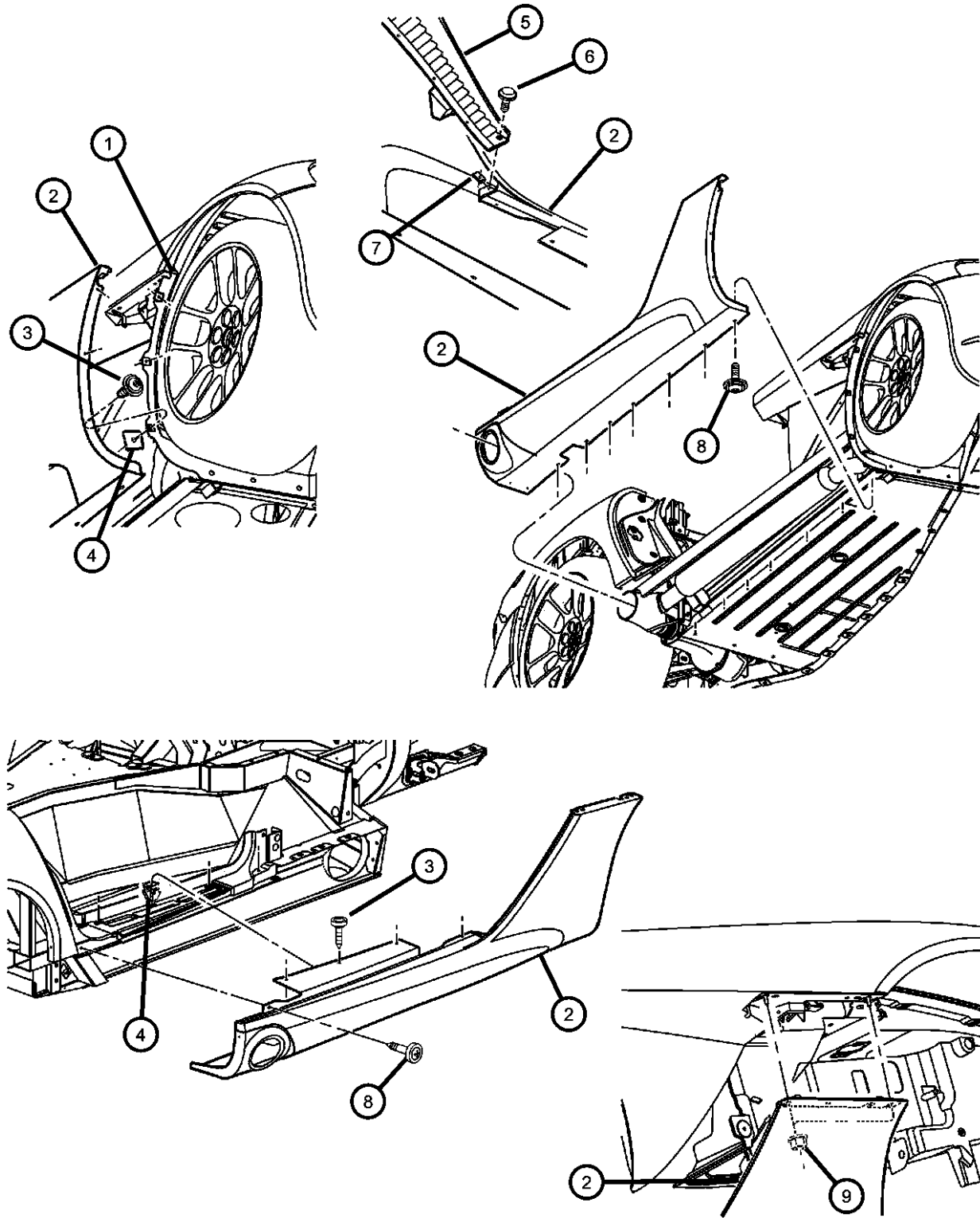
ENGINE
EWC = Engine - 8.3L V10 SFI

TRANSMISSION
DEC = 6-Speed Manual
DBB = All Manual Transmissions

AR = use ase required - = Non illustrated part

2003 ZB

Loose Panels
Figure SZB-430



ITEM	PART NUMBER	QTY	LINE	SERIES	BODY	ENGINE	TRANS	TRIM	DESCRIPTION
1	06504118	8							SHIELD, Splash, Reference, (NOT REQUIRED)
2									PANEL, Sill
	05086368AC	1							Right
	05086369AC	1							Left
3	06035625	6							SCREW, Sill Panel to Splash Shield Attaching
4	06507528AA	6							NUT, Snap In, M4.8x1.6, Sill Panel to Splash Shield Attaching
5									GRILLE, Fender
	05029276AA	1							Right
	05029277AA	1							Left
6	00153610	2							SCREW, .164-18x.500, Fender Grille to Sill Attaching
7	00153610	2							NUT/SPRING, Snap In, .164-18, (NOT SERVICED)
8	06035625	10							SCREW, Sill Attaching to Frame
9	06101444	4							NUT AND WASHER, Hex, M6x1.0, Sill to Fender Attaching

VIPER (ZB)

SERIES
S = SRT-10
X = Coupe

LINE
D = DODGE

BODY
27 = 2-DR CONVERTIBLE
29 = SPECIALTY COUPE

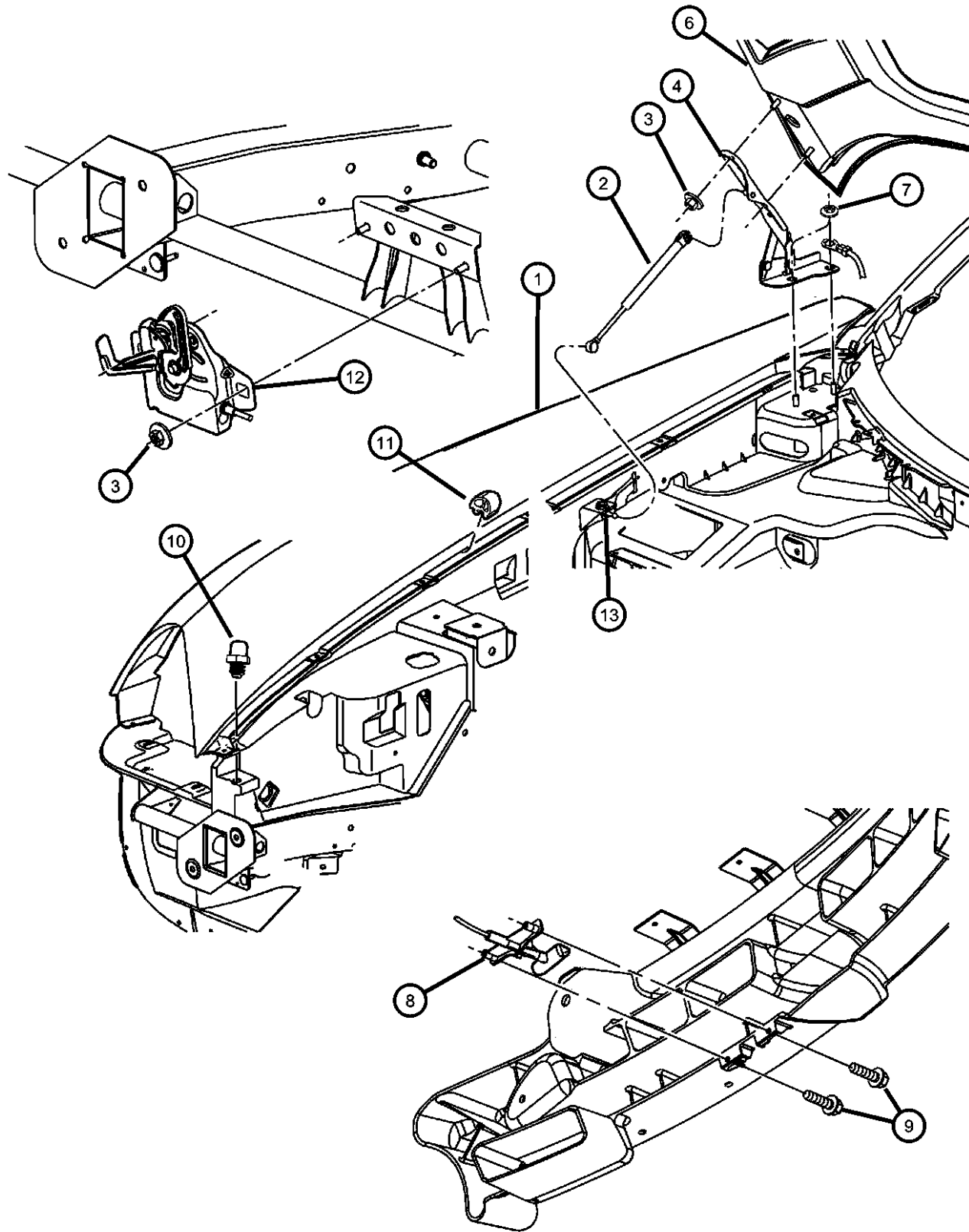
ENGINE
EWC = Engine - 8.3L V10 SFI

TRANSMISSION
DEC = 6-Speed Manual
DBB = All Manual Transmissions

AR = use ase required - = Non illustrated part

2003 ZB

Hood
Figure SZB-510



ITEM	PART NUMBER	QTY	LINE	SERIES	BODY	ENGINE	TRANS	TRIM	DESCRIPTION
Note: [P.A.R.] = Paint as Required									
1	06101444	4							SUPPORT, Fender, Reference, (NOT SERVICED)
2	04865820AD	2			27				PROP, Gas
3	06101444	4							NUT AND WASHER, Hex, M6x1.0Hood Hinge To Hood HINGE, Hood
4	04865639AB	1							Left
	04865638AB	1							Right
-5	06501400	4							SCREW, Flange Head, M10x1.5x65, Hood Hinge To Hood
6	05029272AA	1							HOOD, Paint as Required
7	05029272AA	1							NUT AND WASHER, Hex Nut-Coned Washer, M8 x 1.25, (NOT SERVICED)
8	04865815AA	1							RELEASE, Hood Latch
9	06101949	2							SCREW, Hood Release Attaching
10	05008628AA	2							BUMPER, Deck Lid
11	05029179AA	2							BUMPER, Hood, Anti-Sag
12	04865827AB	1							LATCH, Hood
13	06507213AA	1	D				27		BALL STUD

VIPER (ZB)

SERIES
S = SRT-10
X = Coupe

LINE
D = DODGE

BODY
27 = 2-DR CONVERTIBLE
29 = SPECIALTY COUPE

ENGINE
EWC = Engine - 8.3L V10 SFI

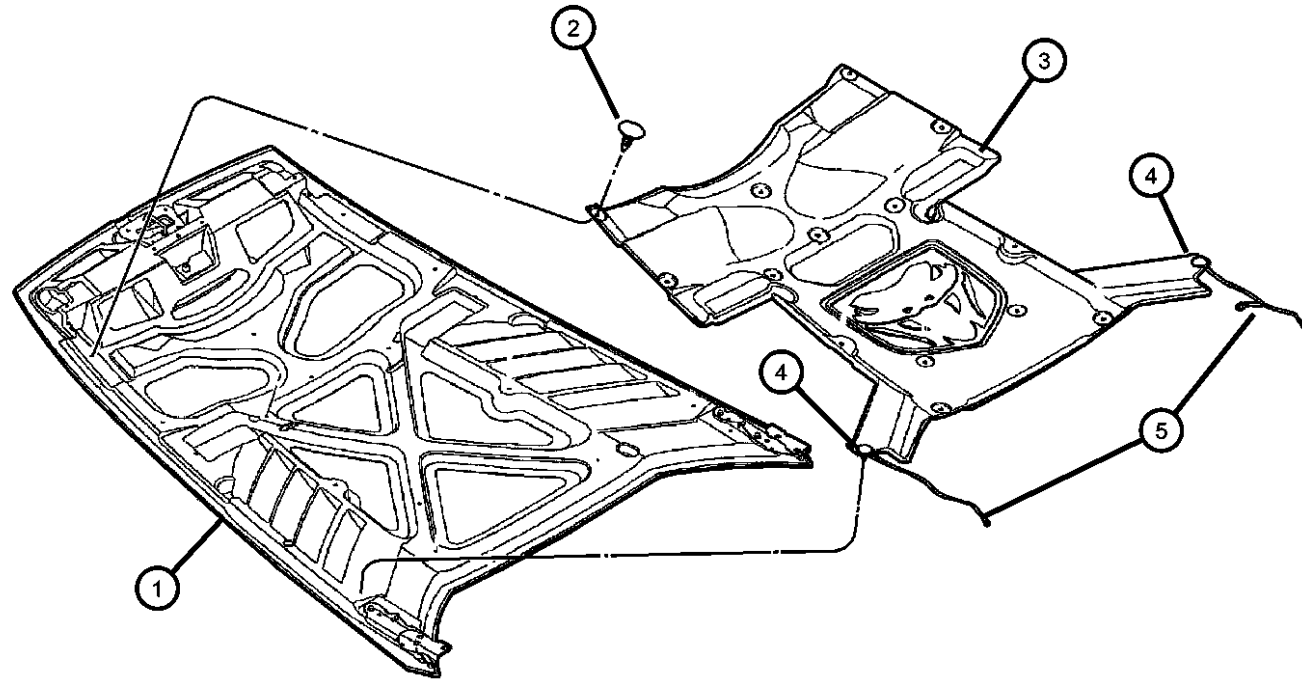
TRANSMISSION
DEC = 6-Speed Manual
DBB = All Manual Transmissions

AR = use ase required - = Non illustrated part

2003 ZB

Hood Silencer
Figure SZB-515

ITEM	PART NUMBER	QTY	LINE	SERIES	BODY	ENGINE	TRANS	TRIM	DESCRIPTION
1	06507213AA	1							HOOD, Reference, (NOT REQUIRED)
2	06503999	14							PIN, Ground Shield To Chassis
3	04865684AA	1							SILENCER, Hood
4	04865684AA	1							PUSH PIN, Serviced With Item 3, (NOT SERVICED)
5	04865684AA	1							STRAP, Ground, Serviced With Item 3, (NOT SERVICED)



VIPER (ZB)

SERIES
S = SRT-10
X = Coupe

LINE
D = DODGE

BODY
27 = 2-DR CONVERTIBLE
29 = SPECIALTY COUPE

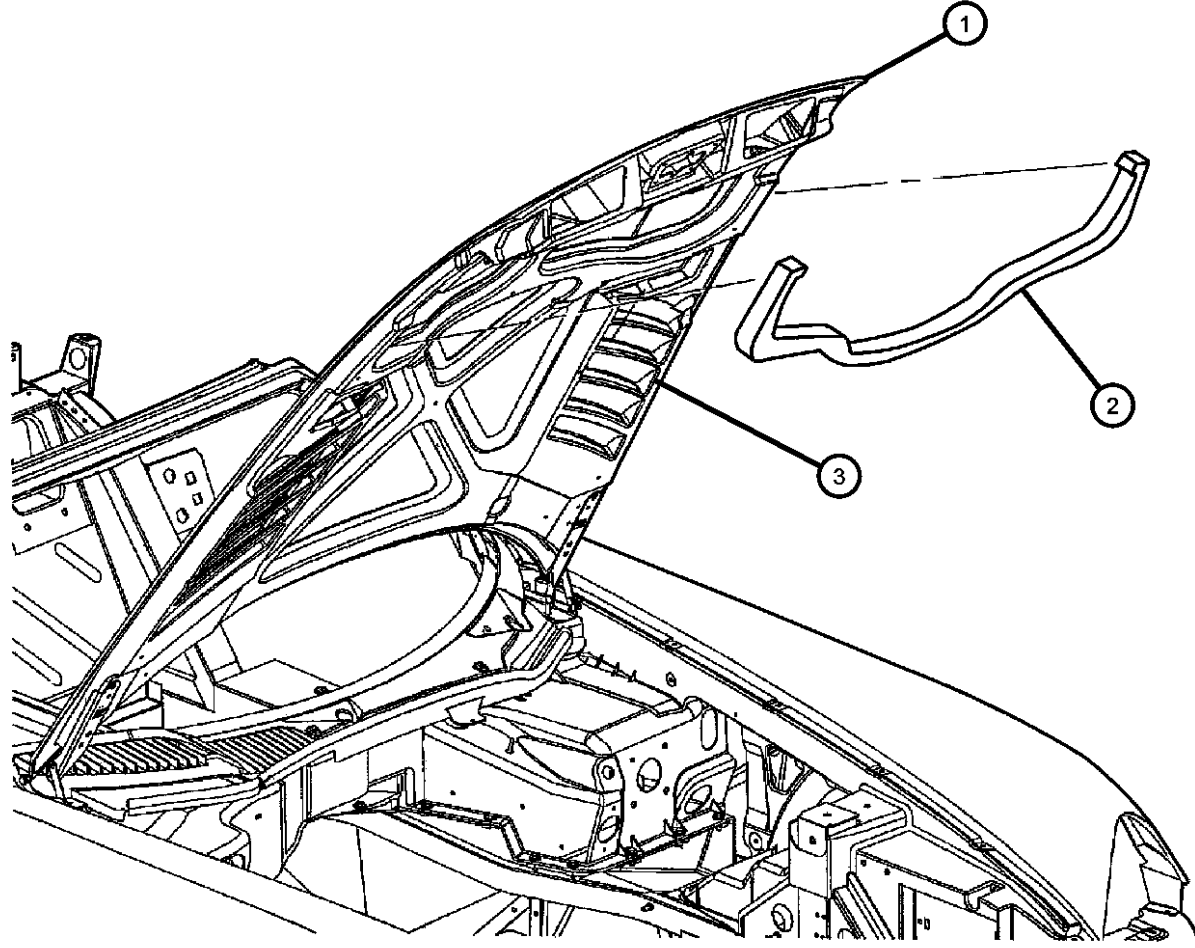
ENGINE
EWC = Engine - 8.3L V10 SFI
TRANSMISSION
DEC = 6-Speed Manual
DBB = All Manual Transmissions

AR = use ase required - = Non illustrated part

2003 ZB

Hood Sealer
Figure SZB-520

ITEM	PART NUMBER	QTY	LINE	SERIES	BODY	ENGINE	TRANS	TRIM	DESCRIPTION
1	05029272AA	1							HOOD
2	05029171AA	1							SEAL, Air Cleaner
3	05029047AA	1							DEFLECTOR, Air



VIPER (ZB)

SERIES

S = SRT-10
X = Coupe

LINE

D = DODGE

BODY

27 = 2-DR CONVERTIBLE
29 = SPECIALTY COUPE

ENGINE

EWC = Engine - 8.3L V10 SFI

TRANSMISSION

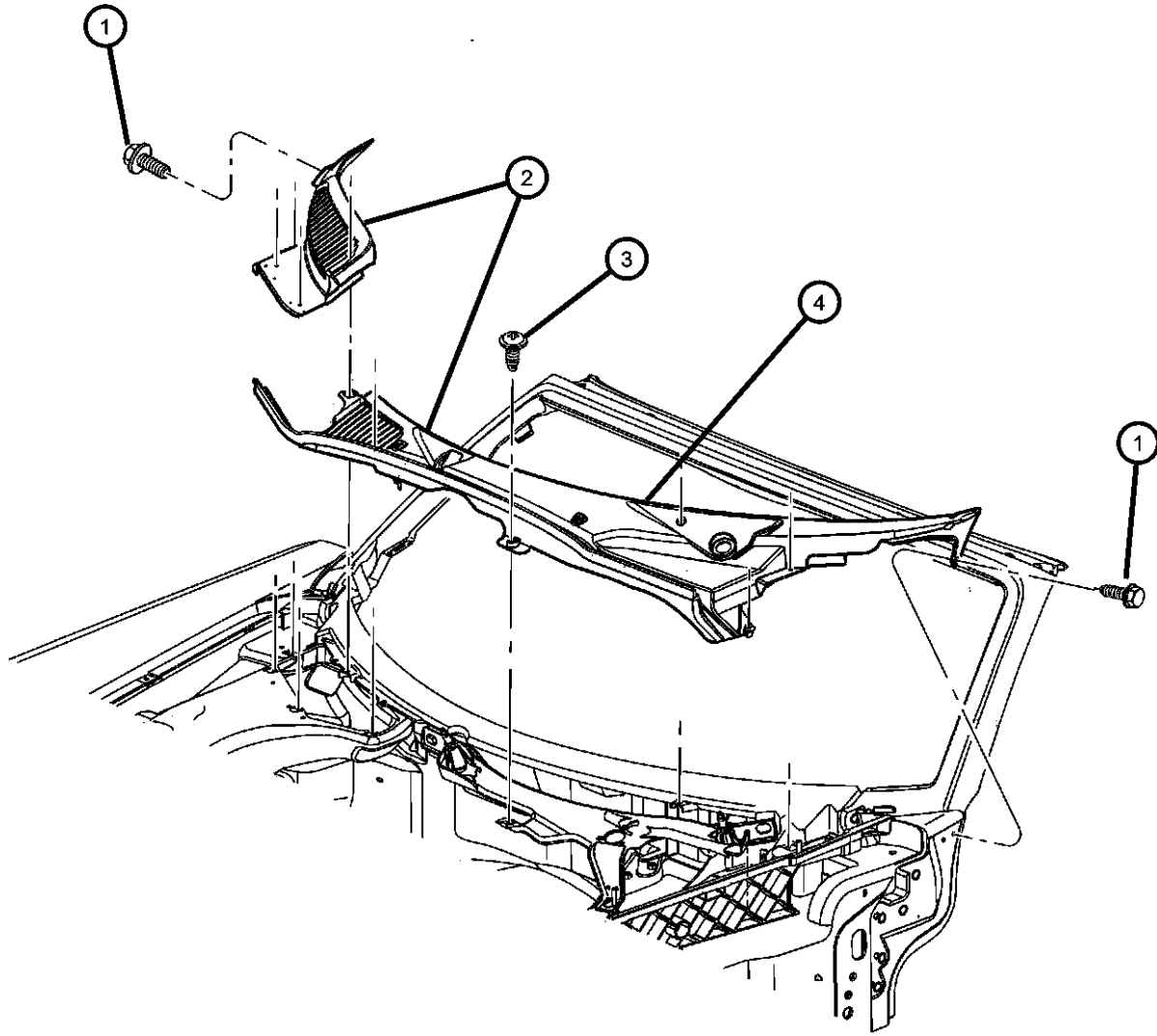
DEC = 6-Speed Manual
DBB = All Manual Transmissions

AR = use ase required - = Non illustrated part

2003 ZB

**Cowl Panel
Figure SZB-615**

ITEM	PART NUMBER	QTY	LINE	SERIES	BODY	ENGINE	TRANS	TRIM	DESCRIPTION
1	06102086AA	2							SCREW AND WASHER, Hex Head, M5x0.80x25.00, Cowl to Windshield Attaching
2									SCREEN, Cowl Top
	0UC22RXFAB	1							Right
	0UC23RXFAB	1							Left
3	06036445AA	9							SCREW, .164-18x1.00, Cowl Panel Attaching
4	04865985AA	1							WEATHERSTRIP, Hood to Cowl



VIPER (ZB)

SERIES

S = SRT-10

X = Coupe

LINE

D = DODGE

BODY

27 = 2-DR CONVERTIBLE

29 = SPECIALTY COUPE

ENGINE

EWC = Engine - 8.3L V10 SFI

TRANSMISSION

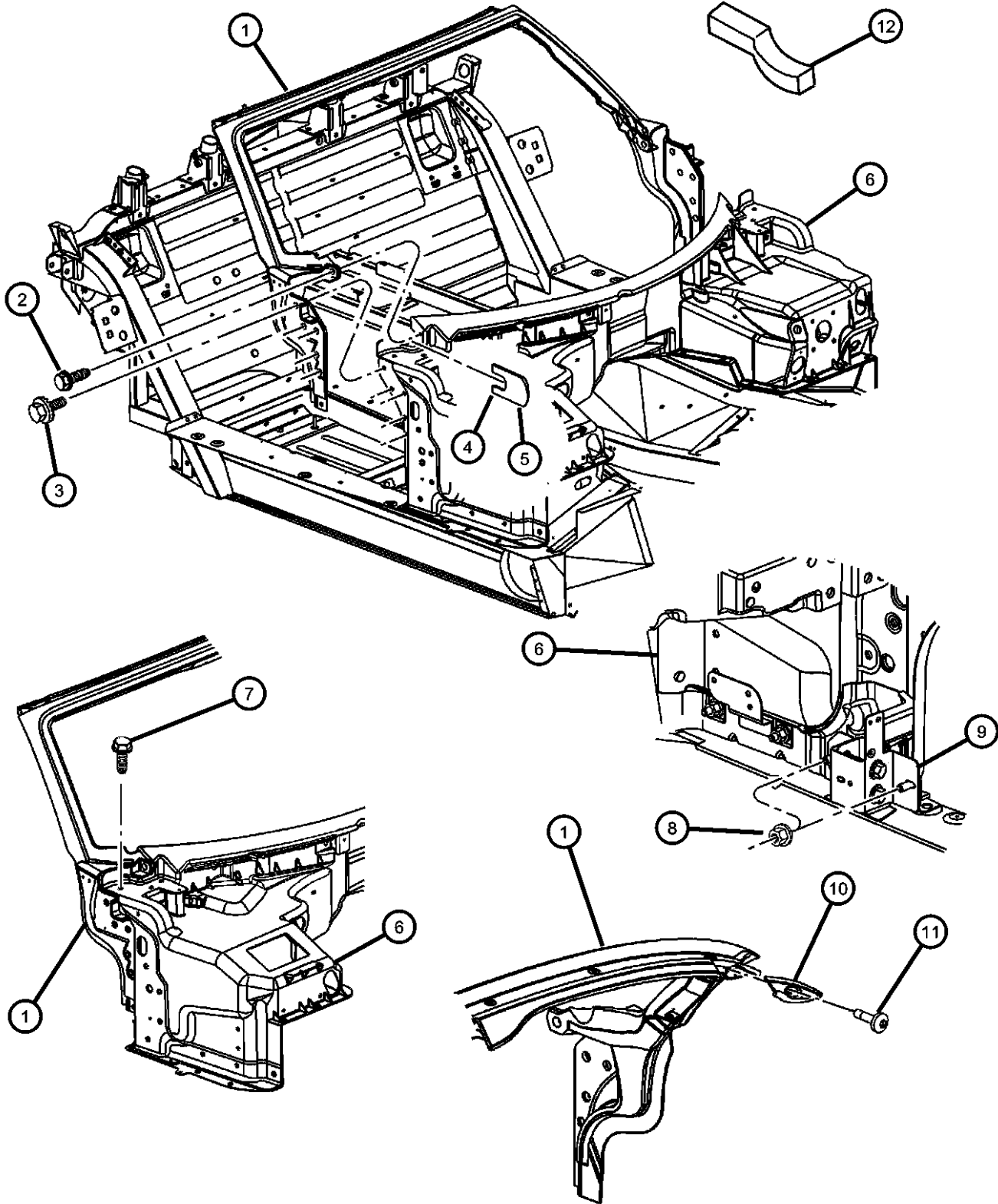
DEC = 6-Speed Manual

DBB = All Manual Transmissions

AR = use ase required - = Non illustrated part

2003 ZB

**Panel - Windshield Surround
Figure SZB-705**



ITEM	PART NUMBER	QTY	LINE	SERIES	BODY	ENGINE	TRANS	TRIM	DESCRIPTION
1	0TP57RXFAB	1							FRAME, Windshield Surround
2	0TP57RXFAB	1							SCREW AND WASHER, [M8x2.50x30.0], (NOT SERVICED)
3	06503351	10							SCREW AND WASHER, Hex Head, M8x1.25x35, Windshield Surround to Folding Top
4	35022112	AR							SPACER, Fender, 1.5
5	35022111	AR							SPACER, Fender, 1.0
6	04865495AA	1							PANEL, Dash
7	06102224AA	2							SCREW AND CONED WASHER, Hex Head, M5x0.80x20
8									NUT AND WASHER, Hex, M8x1.25
	06101809	4							Bracket to folding Attaching
		1							Brace to Instrument Panel
9									BRACKET, Dash
	05029188AA	1							Front of Dash, Right
	05029189AA	1							Front of Dash, Left
10									DOWEL, Windshield Surround
	0TP60RXFAA	1							Right
	0TP61RXFAA	1							Left
11	06505026AA	2							SCREW, M5x16, Dowel Receiver Attaching
12	05029330AA	2							SEAL, Foam, Windshield Surround
-13	05029081AC	1				27			BACKLITE

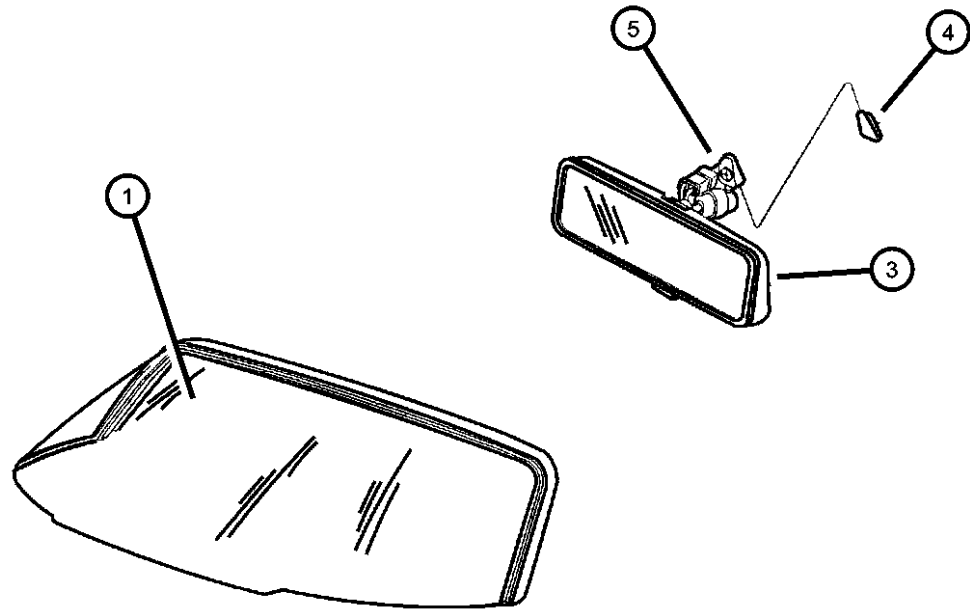
VIPER (ZB)

SERIES	LINE	BODY	ENGINE	TRANSMISSION
S = SRT-10	D = DODGE	27 = 2-DR CONVERTIBLE	EWC = Engine - 8.3L V10 SFI	DEC = 6-Speed Manual
X = Coupe		29 = SPECIALTY COUPE		DBB = All Manual Transmissions

AR = use ase required - = Non illustrated part

**Glass Windshield, Frame And Mirror (Convertible)
Figure SZB-710**

ITEM	PART NUMBER	QTY	LINE	SERIES	BODY	ENGINE	TRANS	TRIM	DESCRIPTION
1	05086542AA DW01513GTY	1							WINDSHIELD, Shipping Assembly - 05 Lite Glass Collision Replacement Glass
-2	04643847	AR							SHIM, Windshield
3	05029067AB	1							MIRROR, Inside Rear View, Lighted
4	55076401	1			27				BUTTON, Rear View Mirror
5	55076401	1							SCREW, Pan Head Tapping, .19-16x.375, [.19-16X.375], (NOT SERVICED)
-6	05029051AA	1							LAMP, Indicator, Lens
-7	05029064AA	1							RETAINER



VIPER (ZB)

SERIES

S = SRT-10

X = Coupe

LINE

D = DODGE

BODY

27 = 2-DR CONVERTIBLE

29 = SPECIALTY COUPE

ENGINE

EWC = Engine - 8.3L V10 SFI

TRANSMISSION

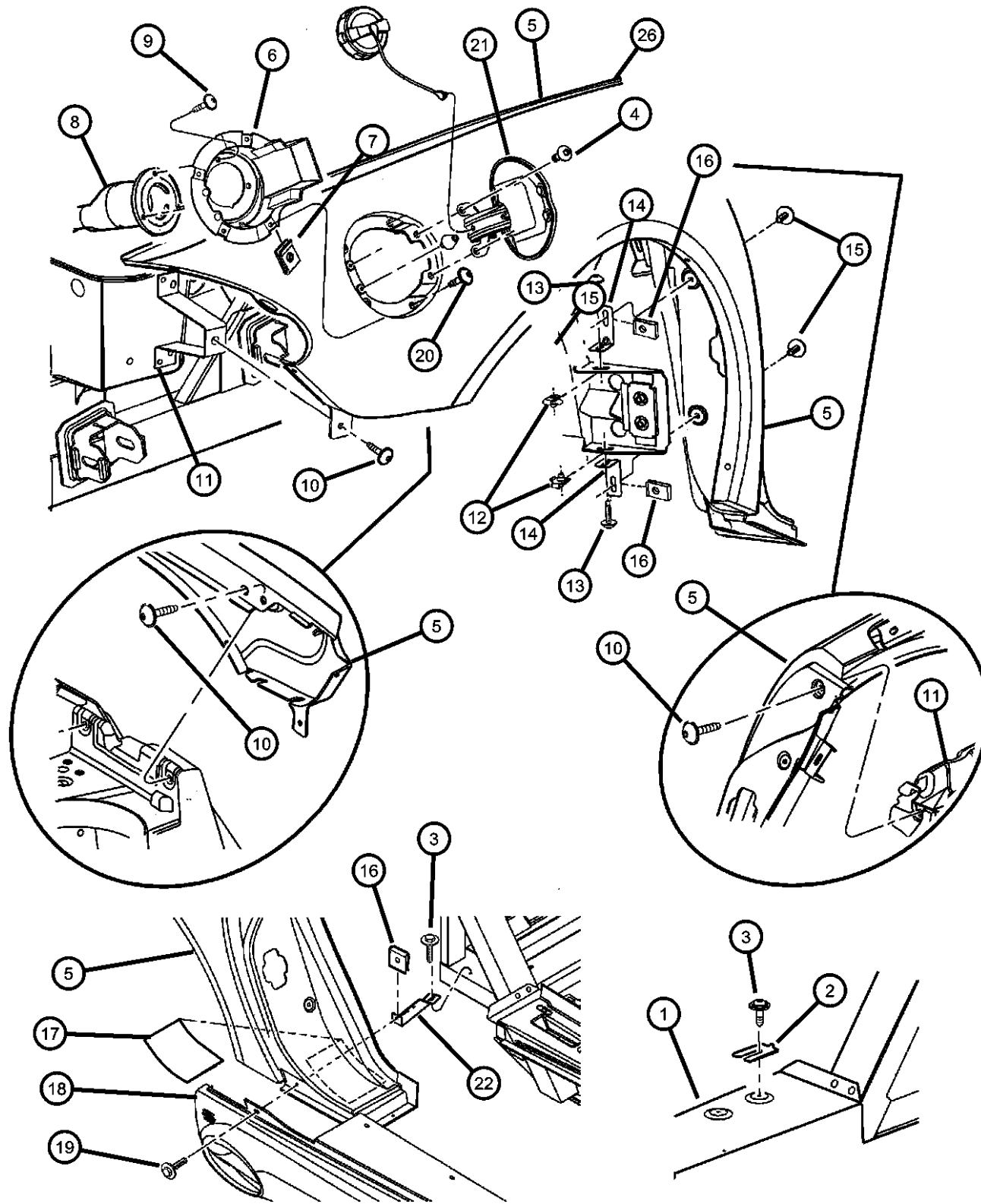
DEC = 6-Speed Manual

DBB = All Manual Transmissions

AR = use ase required - = Non illustrated part

2003 ZB

Quarter Panel - Rear
Figure SZB-910



ITEM	PART NUMBER	QTY	LINE	SERIES	BODY	ENGINE	TRANS	TRIM	DESCRIPTION
------	-------------	-----	------	--------	------	--------	-------	------	-------------

Note: [P.A.R.] = Paint As Required

1	05029064AA	1							FRAME, Reference, (NOT REQUIRED)
2	04643463	AR							SHIM, Hood Latch, Quarter Panel to Frame
3	06035625	2							SCREW, To Frame, Quarter Panel
4	06504791	2							SCREW, TAPPING, BUTTON HEAD, M6 X 1.00 X 18.00, Fuel Door
5									PANEL, Quarter
	04865796AB	1			27				[P.A.R.], Right
	04865797AB	1			27				[P.A.R.], Left
6	04865906AB	1							HOUSING, Fuel Filler
7	06036491AA	4							NUT, Spring U Type, For .164-18 Screw, Fuel Filler Housing Attach
8	06036491AA	4							TUBE, Fuel Filler, Reference, (NOT REQUIRED)
9	06036491AA	4							SCREW, Tapping, .19-16x.75, (NOT SERVICED)
10	06503698	10							SCREW AND WASHER, Truss Head, M6-1.00x30.00, To Rear, Quarter Panel
11	06503698	10							PAN, Trunk, Reference, (NOT REQUIRED)
12	06506962AA	4							NUT, U, M6x1.00, L- Bracket To Frame, Quarter Panel
13	06503698	4							SCREW AND WASHER, Truss Head, M6-1.00x30.00, L-Bracket To Frame, Quarter Panel
14	04865907AA	4							BRACKET, Quarter Panel
15	06035625	4							SCREW, To L-Bracket, Quarter Panel
16	06035625	4							NUT/SPRING, "U" 1 THD, .190-16, (NOT SERVICED)
17									INSULATION, Foil Backed Seal
	05029324AA	2							Door Surround, Panel To Exhuster
	05029325AA	2							Quarter Panel To Exhaust
18	05029325AA	2							PANEL, Sill, Reference, (NOT REQUIRED),
19	06035625	4							SCREW, Adjuster Bracket Attaching, Quarter Panel
20	05029238AA	2							BUMPER, Fuel Door
21	04865738AA	1							DOOR, Fuel Fill, [P.A.R.]
22									BRACKET, Quarter Panel
	05029260AA	1							Right

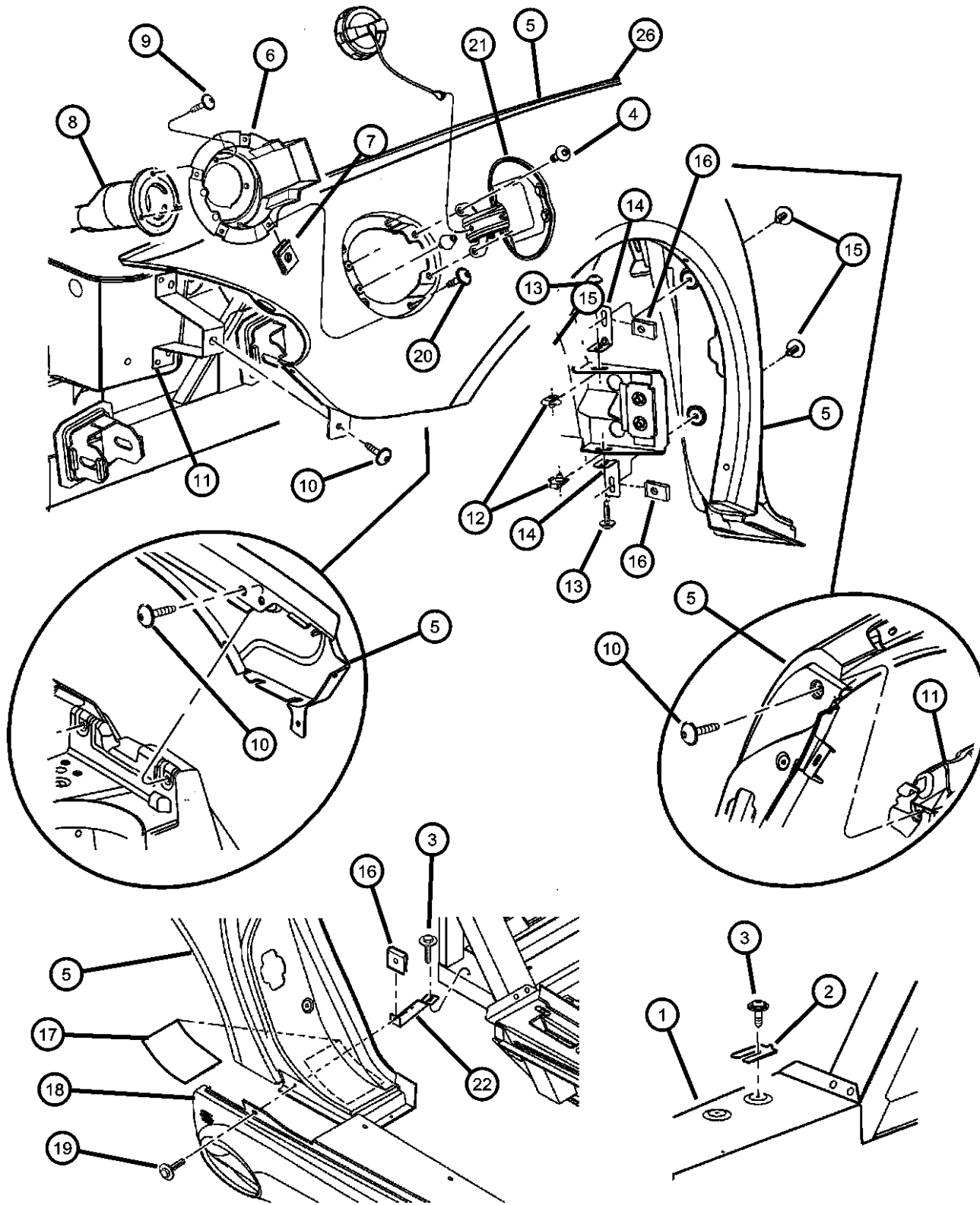
VIPER (ZB)

SERIES	LINE	BODY	ENGINE	TRANSMISSION
S = SRT-10	D = DODGE	27 = 2-DR CONVERTIBLE	EWC = Engine - 8.3L V10 SFI	DEC = 6-Speed Manual
X = Coupe		29 = SPECIALTY COUPE		DBB = All Manual Transmissions

AR = use ase required - = Non illustrated part

2003 ZB

Quarter Panel - Rear
Figure SZB-910



ITEM	PART NUMBER	QTY	LINE	SERIES	BODY	ENGINE	TRANS	TRIM	DESCRIPTION
	05029261AA	1							Left
-23	04865768AA	2							BRACKET, Quarter InnerRight & Left
-24									SEAL, Quarter Panel
	05029174AB	1			27				B-Pillar To Frame, Right
	05029175AB	1			27				B-Pillar To Frame, Left
	05029212AA	1			27				B-Pillar Upper, Right
	05029213AA	1			27				B-Pillar Upper, Left
-25									SHIM, Quarter Panel
	05029487AA	AR			27				1.5mm
	05029488AA	AR			27				2.5mm
26									SEAL, Quarter Panel
	05029404AA	1			27				Right
	05029405AA	1			27				Left

VIPER (ZB)

SERIES

S = SRT-10

X = Coupe

LINE

D = DODGE

BODY

27 = 2-DR CONVERTIBLE

29 = SPECIALTY COUPE

ENGINE

EWC = Engine - 8.3L V10 SFI

TRANSMISSION

DEC = 6-Speed Manual

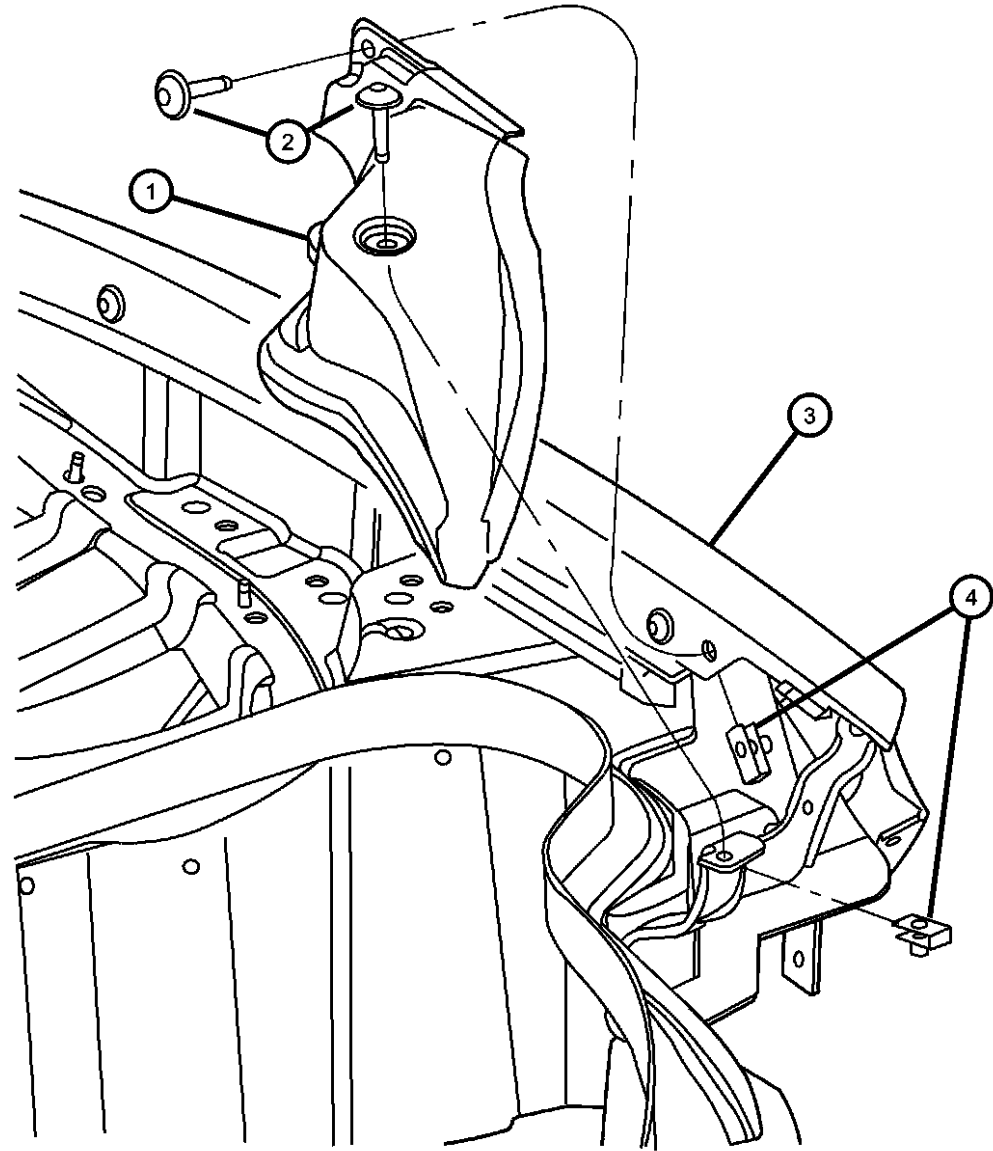
DBB = All Manual Transmissions

AR = use ase required - = Non illustrated part

2003 ZB

Panel - Tail Lamp
Figure SZB-920

ITEM	PART NUMBER	QTY	LINE	SERIES	BODY	ENGINE	TRANS	TRIM	DESCRIPTION
1									PANEL, Taillamp Mounting
	05029124AA	1							Right
	05029125AA	1							Left
2	06503698	4							SCREW AND WASHER, Truss Head, M6-1.00x30.00, Cover Attaching, Lamp
3	06503698	4							PANEL, Quarter Trim, Rear [Reference], (NOT REQUIRED)
4	06101442	4							U-NUT, M6 x 1.00, M6x1.00, Lamp Quarter Attaching
-5									BRACKET, Tail Lamp
	05029120AA	1							Right
	05029121AA	1							Left



VIPER (ZB)

SERIES

S = SRT-10

X = Coupe

LINE

D = DODGE

BODY

27 = 2-DR CONVERTIBLE

29 = SPECIALTY COUPE

ENGINE

EWC = Engine - 8.3L V10 SFI

TRANSMISSION

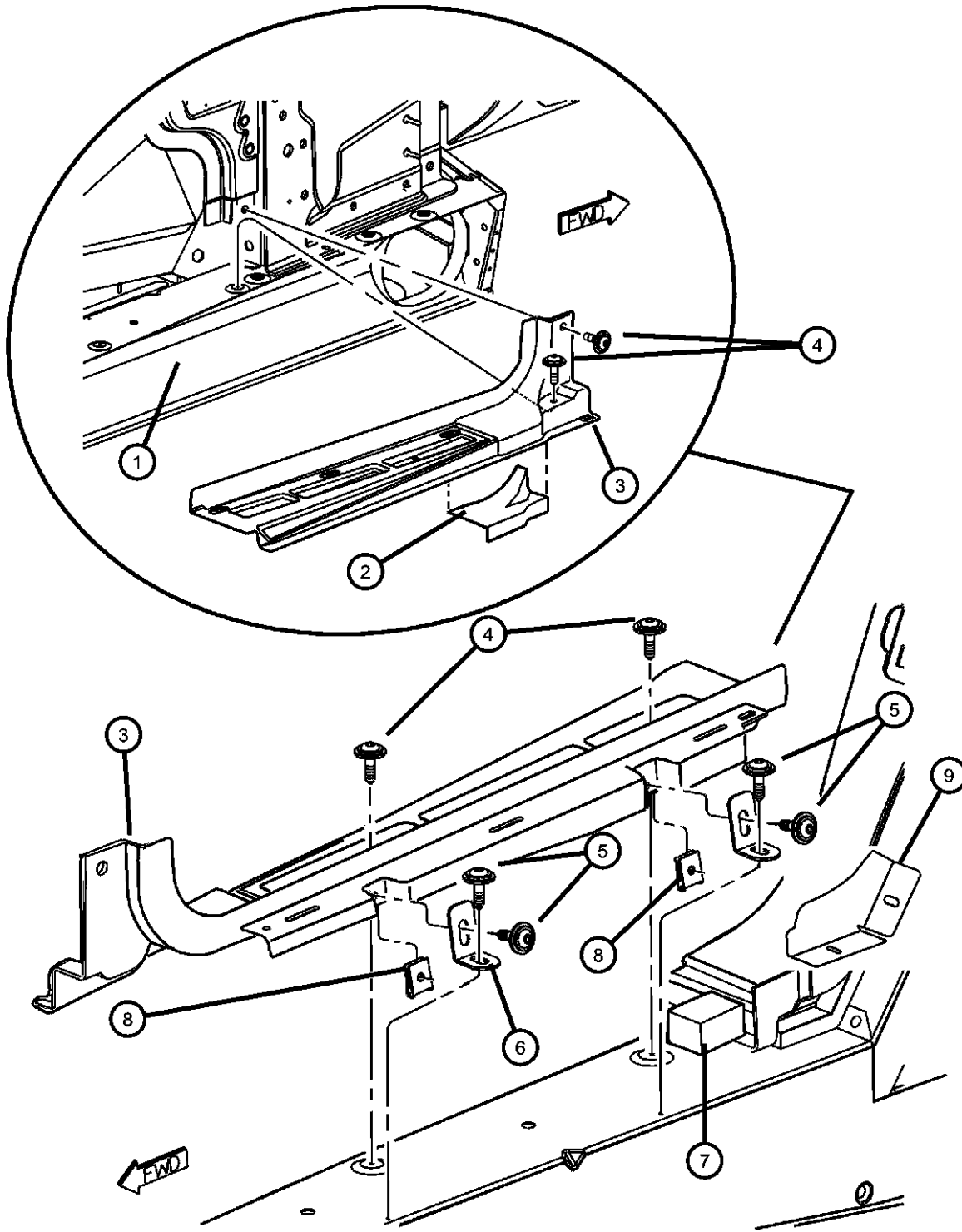
DEC = 6-Speed Manual

DBB = All Manual Transmissions

AR = use ase required - = Non illustrated part

2003 ZB

Loose Panels
Figure SZB-930



ITEM	PART NUMBER	QTY	LINE	SERIES	BODY	ENGINE	TRANS	TRIM	DESCRIPTION
1	05029121AA	1							FRAME, Reference Only, (NOT REQUIRED)
2	05029121AA	1							FOIL, Insulator, (NOT SERVICED)
3									PANEL, Door Surround
	04865888AA	1							Right
	04865889AA	1							Left
4	06035625	6							SCREW, Door Surround To Frame Sill Attaching
5	06035625	8							SCREW, Door Surround To L-Bracket and Frame
6	04865891AA	4							BRACKET, Door Surround
7	04865891AA	4							FOAM, Door Surround, (NOT SERVICED)
8	06504118	8			27				U-NUT, M6 x 1.00, M6x1.00
9									BRACKET, B-Pillar
	05029350AA	1			27				Right
	05029351AA	1			27				Left

VIPER (ZB)

SERIES
S = SRT-10
X = Coupe

LINE
D = DODGE

BODY
27 = 2-DR CONVERTIBLE
29 = SPECIALTY COUPE

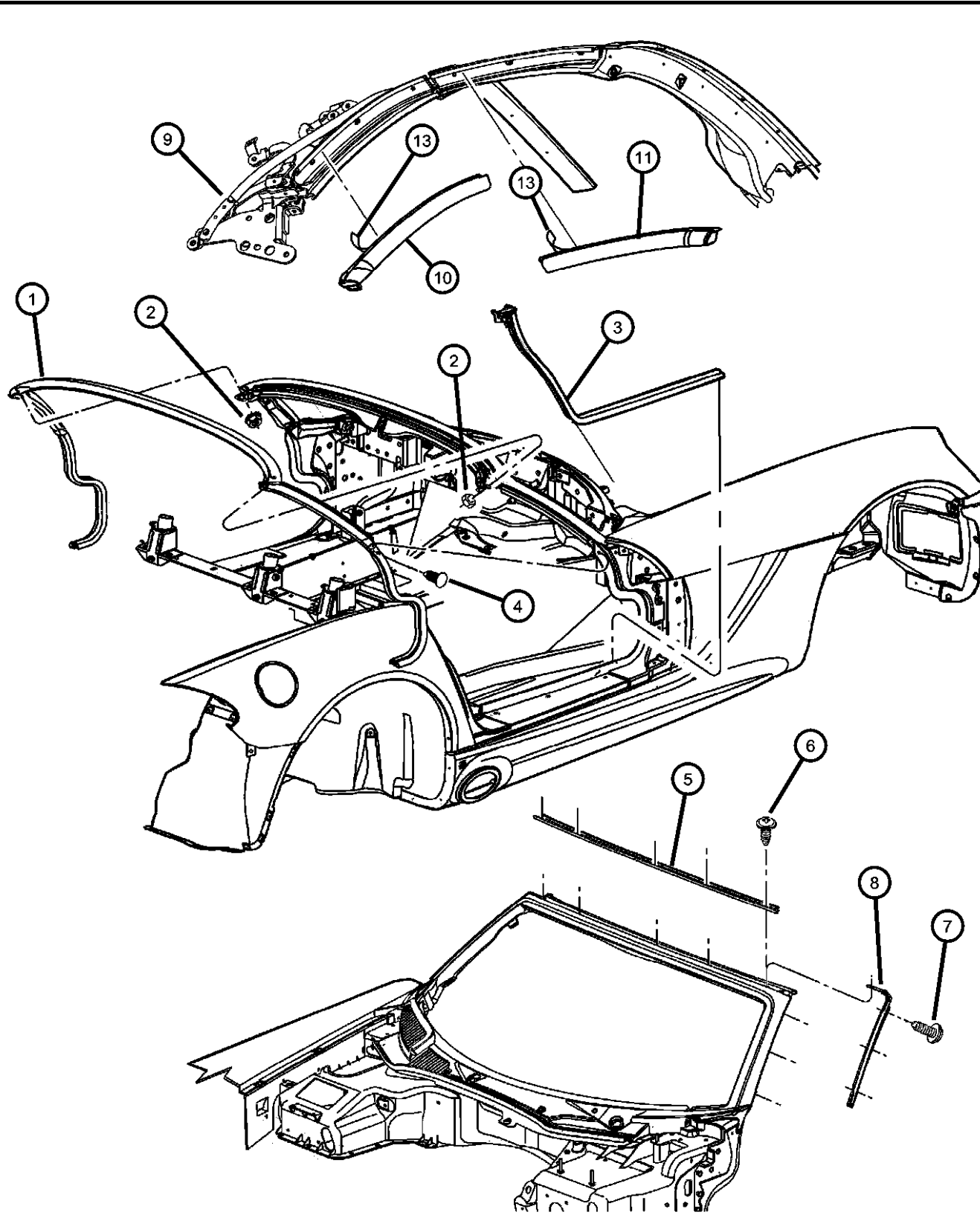
ENGINE
EWC = Engine - 8.3L V10 SFI

TRANSMISSION
DEC = 6-Speed Manual
DBB = All Manual Transmissions

AR = use ase required - = Non illustrated part

2003 ZB

Weatherstrips
Figure SZB-1010



ITEM	PART NUMBER	QTY	LINE	SERIES	BODY	ENGINE	TRANS	TRIM	DESCRIPTION
1	04865561AA	1							WEATHERSTRIP, Header and A pillar
2	04865561AA	1							NUT AND WASHER, Hex, M5x.80, (NOT SERVICED)
3									WEATHERSTRIP, Front Door Opening Right
	04865562AA	1							Right
	04865563AA	1							Left
4	04658673	2							PIN PUSH, .150x.410, Attaching, Lower, A Pillar Weatherstrip
5	04865574AA	1							RETAINER, WeatherstripWindshield Header
6	06505026AA	2							SCREW, M5x16, Weatherstrip Attaching
7	06505026AA	2							SCREW, M5x16, Weatherstrip Attaching
8									RETAINER, Weatherstrip A-Pillar, Right
	04865576AA	1							A-Pillar, Right
	04865577AA	1							A-Pillar, Left
9	04865577AA	1							CONVERTIBLE TOP, Reference, (NOT REQUIRED), WEATHERSTRIP, Folding Top Side Rail
10									Rear, Right
	04865568AA	1							Rear, Left
	04865569AA	1							WEATHERSTRIP, Folding Top Side Rail
11									Right, Front
	04865566AA	1							Left, Front
	04865567AA	1							SCREW, .164-15x.500
-12	00153732	3							TAPE, (NOT SERVICED)
13	00153732	3							

VIPER (ZB)

SERIES
S = SRT-10
X = Coupe

LINE
D = DODGE

BODY
27 = 2-DR CONVERTIBLE
29 = SPECIALTY COUPE

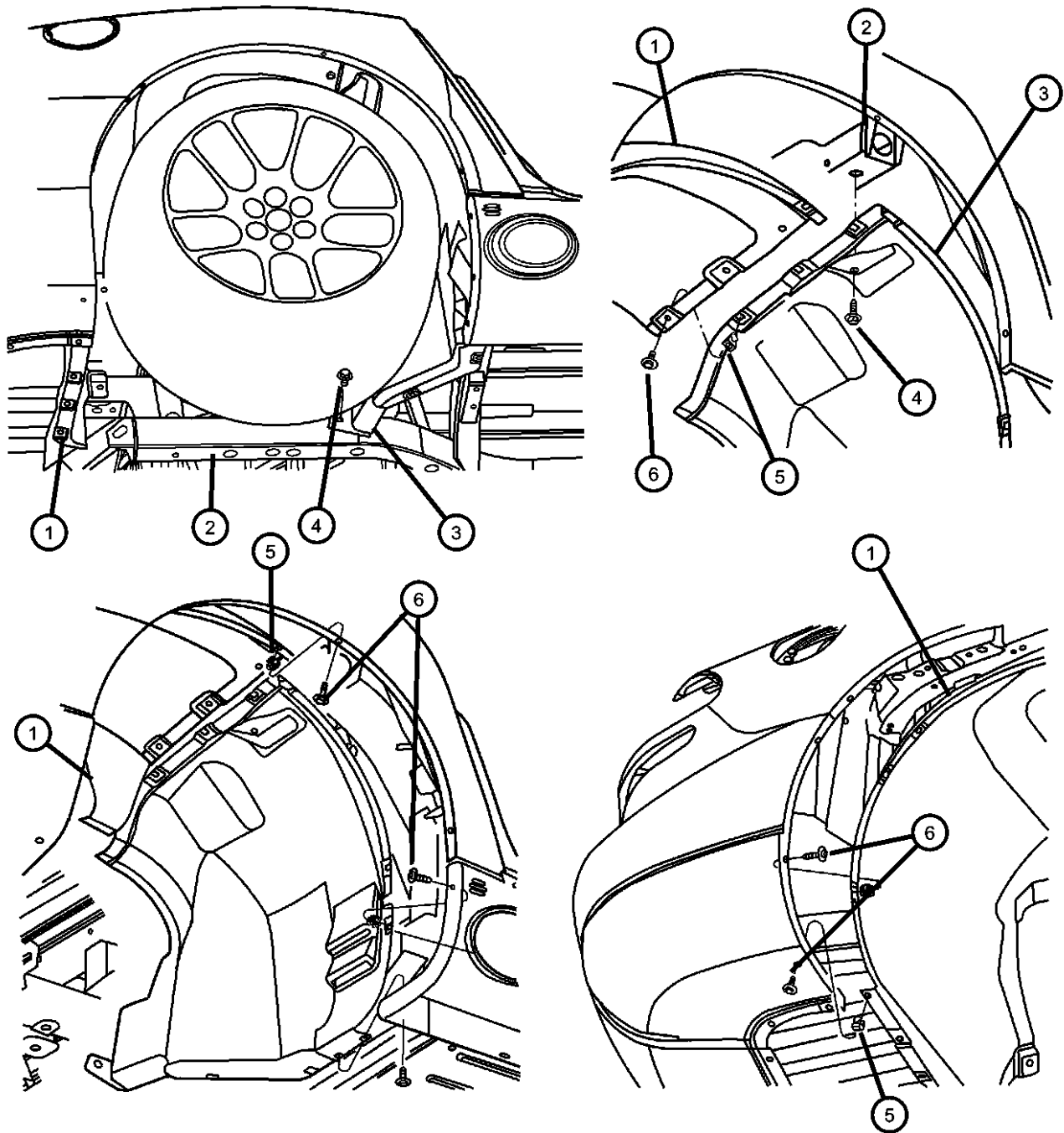
ENGINE
EWC = Engine - 8.3L V10 SFI

TRANSMISSION
DEC = 6-Speed Manual
DBB = All Manual Transmissions

AR = use ase required - = Non illustrated part

2003 ZB

Shields - Rear Wheelhouse
Figure SZB-1020



ITEM	PART NUMBER	QTY	LINE	SERIES	BODY	ENGINE	TRANS	TRIM	DESCRIPTION
1									SHIELD, Splash
	04865646AA	1							Right, Rear, Lower
	04865647AA	1							Left, Rear, Lower
2	04865647AA	1							FRAME, Reference, (NOT REQUIRED)
3									SHIELD, Splash
	04865648AA	1							Right, Rear, Upper
	04865649AA	1							Left, Rear, Upper
4	04865649AA	1							SCREW, Tapping Hex Flange Head, .250x14x.875, (NOT SERVICED)
5	06507528AA	28							NUT, Snap In, M4.8x1.6Shield
6	06035625	28							SCREW, Attaching, Splash Shield

VIPER (ZB)

SERIES

S = SRT-10

X = Coupe

LINE

D = DODGE

BODY

27 = 2-DR CONVERTIBLE

29 = SPECIALTY COUPE

ENGINE

EWC = Engine - 8.3L V10 SFI

TRANSMISSION

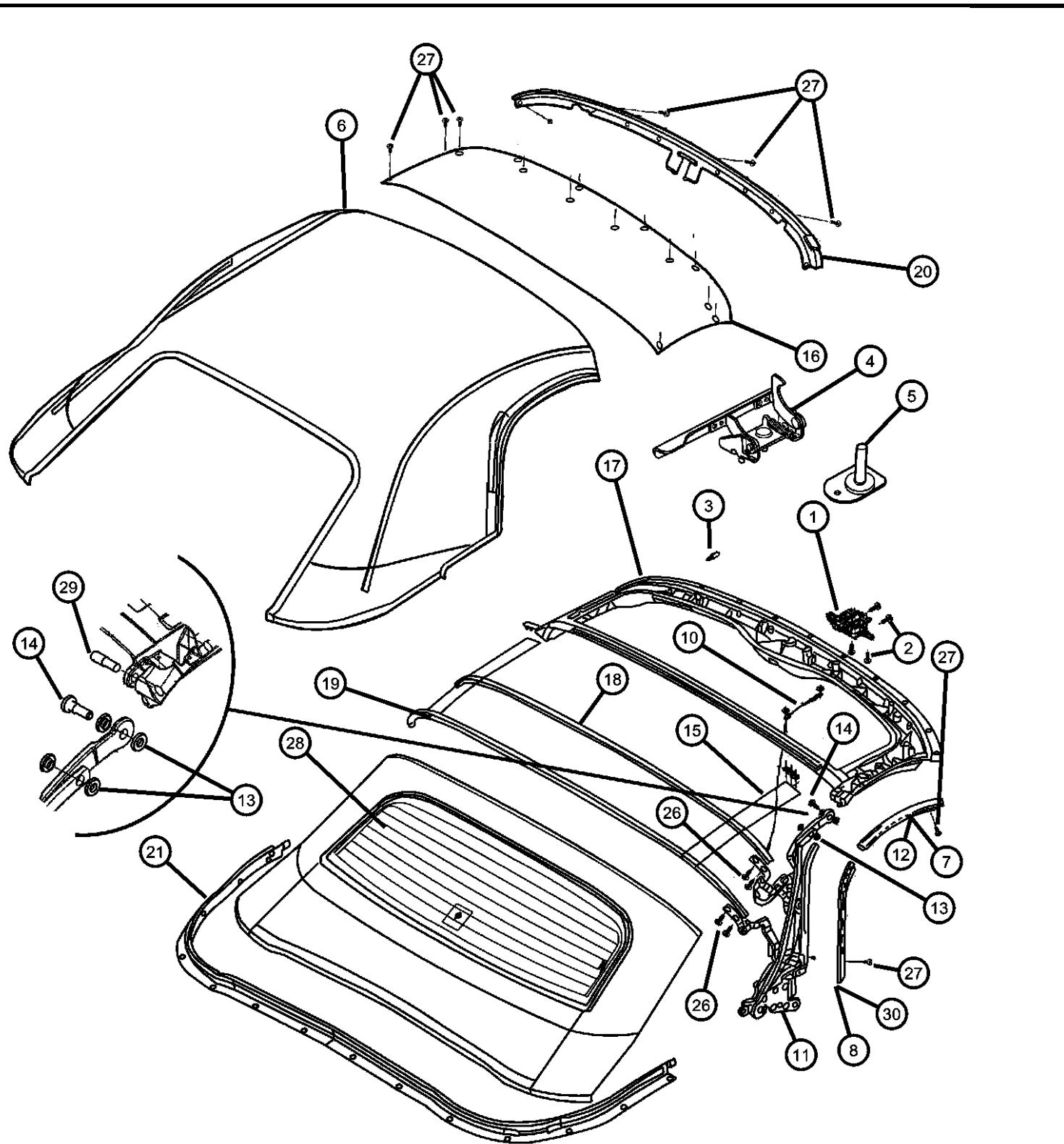
DEC = 6-Speed Manual

DBB = All Manual Transmissions

AR = use ase required - = Non illustrated part

2003 ZB

Folding Top
Figure SZB-1110



ITEM	PART NUMBER	QTY	LINE	SERIES	BODY	ENGINE	TRANS	TRIM	DESCRIPTION
1	05029168AB	1			27				HANDLE AND LATCH, Folding Top
2	06507337AA	4							BOLT, M6x25, Latch Attaching
3	05029157AB	2			27				PIN, Dowel, Folding Top Locator
4	04865936AC	1			27				LATCH AND BASE, Folding Top
5	04865781AA	12							STUD PLATE, Convertible Top Tack Strip Mounting
6	05029082AC	1			27				COVER, Folding Top
7									RETAINER, Weatherstrip
	04865570AC	1			27				Folding Top Front Side Rail, Right
	04865571AC	1			27				Folding Top Front Side Rail, Left
8									RETAINER, Weatherstrip
	04865572AC	1			27				Top Rear Side Rail, Right
	04865573AC	1			27				Top Rear Side Rail, Left
-9	05086733AA	1							CLIP, Latch
10	05093071AA	2							CABLE, Topcover Tension
11									SIDE RAIL, Folding Top
	05029134AC	1			27				Linkage, Right
	05029135AC	1			27				Linkage, Left
12									FOAM
	05029572AA	1			27				Right
	05029573AA	1			27				Left
13	05029195AA	8							BUSHING, Pivot
14	06507761AA	2			27				SCREW
15	05029080AB	1			27				STAYPAD ASSEMBLY, Folding Top, With Rivets
16	05029133AB	1			27				PANEL, Headliner
17	05029167AC	1			27				BOW, Folding Top, Number 2, Includes Front Header
18	05029130AA	1							BOW, Folding Top, Number 3
19	05029131AA	1							BOW, Folding Top, Number 4
20	05029079AB	1			27				MOLDING, Folding Top
21	05029076AB	1			27				PANEL, Tackstrip Support
-22									TACKSTRIP, Beltline Bridge
	05029266AB	1			27				Right
	05029267AB	1			27				Left
-23	05029077AA	1							TACKSTRIP, Beltline Center
-24									TACKSTRIP, Beltline Outer
	05029084AB	1			27				Right

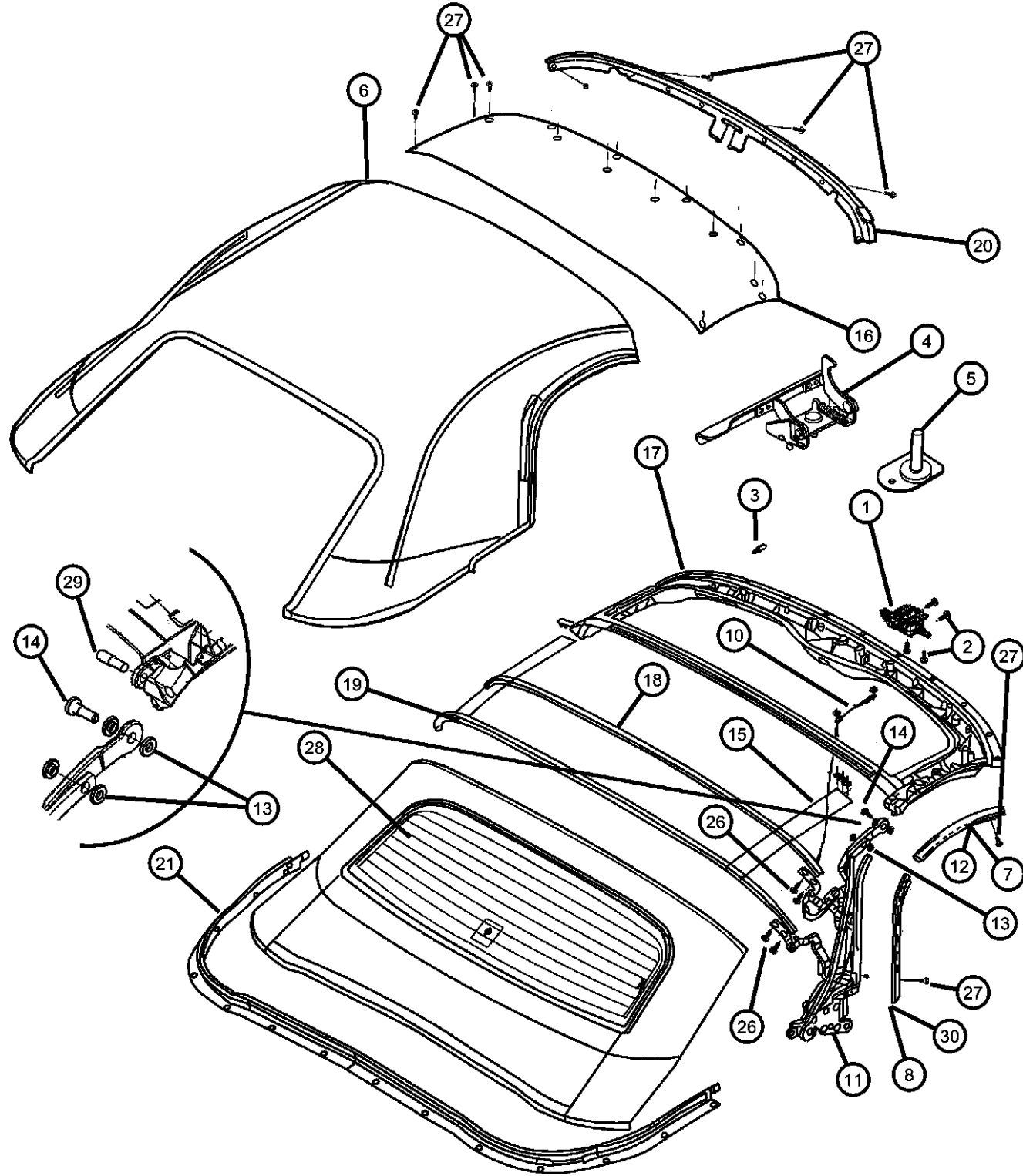
VIPER (ZB)

SERIES	LINE	BODY	ENGINE	TRANSMISSION
S = SRT-10	D = DODGE	27 = 2-DR CONVERTIBLE	EWC = Engine - 8.3L V10 SFI	DEC = 6-Speed Manual
X = Coupe		29 = SPECIALTY COUPE		DBB = All Manual Transmissions

AR = use ase required - = Non illustrated part

2003 ZB

Folding Top
Figure SZB-1110



ITEM	PART NUMBER	QTY	LINE	SERIES	BODY	ENGINE	TRANS	TRIM	DESCRIPTION
	05029085AB	1			27				Left
-25	05029215AB	1			27				COVER KIT, Tack Strip, Covers Item 21
26	06036444AA	8							SCREW, .25-20
27									SCREW
	06507763AA	12			27				Top Seal Retainer
		11			27				Top Seal Compression Panel
		14			27				Cloth Support Panel
28	05029081AB	1			27				BACKLITE
29	06507762AA	2			27				SCREW
30									FOAM
	05029574AA	1			27				Right
	05029575AA	1			27				Left

VIPER (ZB)

SERIES
S = SRT-10
X = Coupe

LINE
D = DODGE

BODY
27 = 2-DR CONVERTIBLE
29 = SPECIALTY COUPE

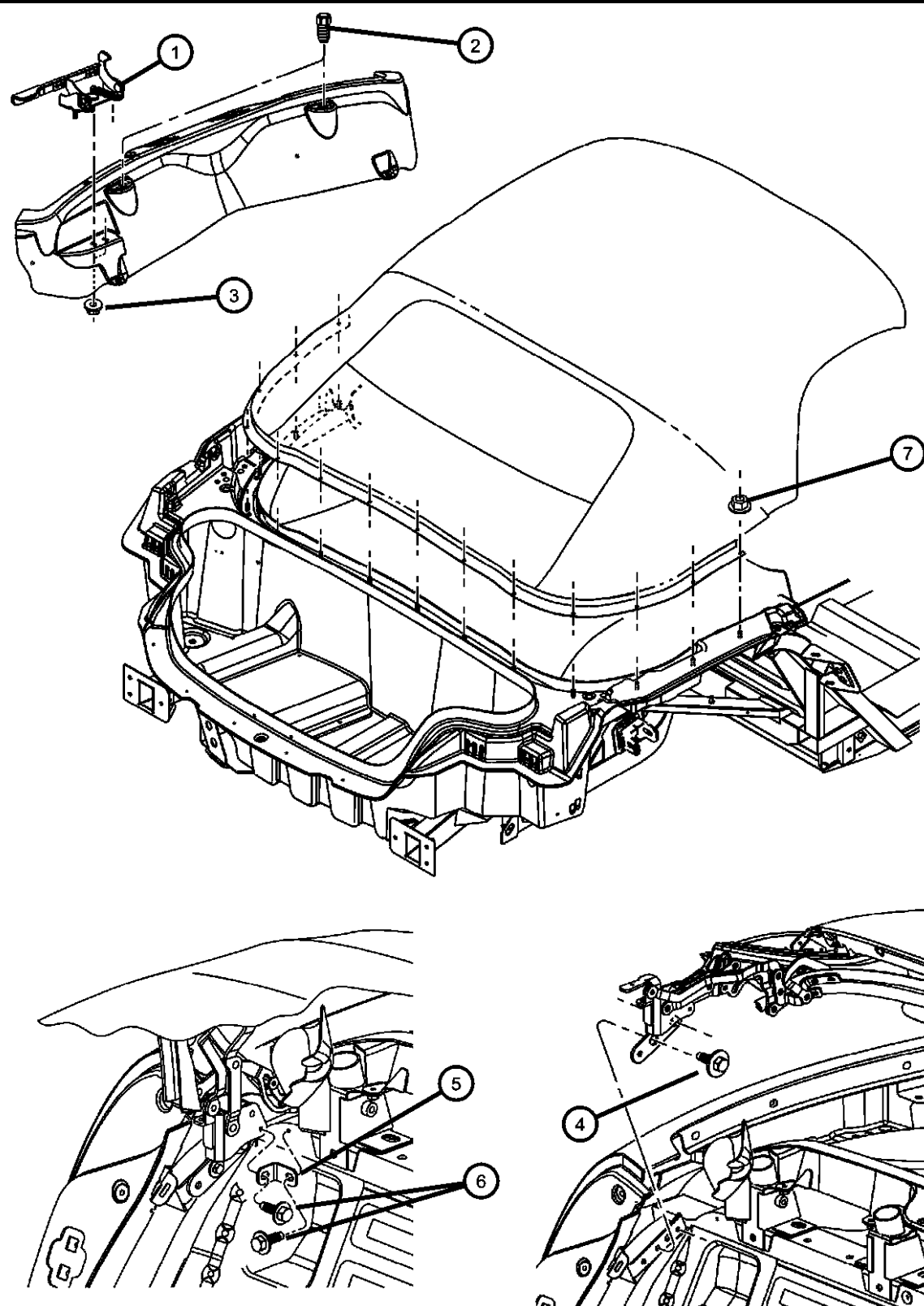
ENGINE
EWC = Engine - 8.3L V10 SFI

TRANSMISSION
DEC = 6-Speed Manual
DBB = All Manual Transmissions

AR = use ase required - = Non illustrated part

2003 ZB

Folding Top - Attaching Parts
Figure SZB-1115



ITEM	PART NUMBER	QTY	LINE	SERIES	BODY	ENGINE	TRANS	TRIM	DESCRIPTION
1	04865936AC	1			27				LATCH AND BASE, Folding Top
2	05256749	2							BUMPER, Deck Lid Adjuster
3	06101968	2							NUT, M6x1.00, Downstack Bumper and Latch
4	06503351	4							SCREW AND WASHER, Hex Head, M8x1.25x35, Folding Top Attaching
5	04854372AA	2							BRACKET
6	06102050AA	4							SCREW, Hex Flange Head, M6.3 x 1.81 x 15.00, Bracket Attaching
7	06102238AA	14							NUT, M6x1

VIPER (ZB)

SERIES
S = SRT-10
X = Coupe

LINE
D = DODGE

BODY
27 = 2-DR CONVERTIBLE
29 = SPECIALTY COUPE

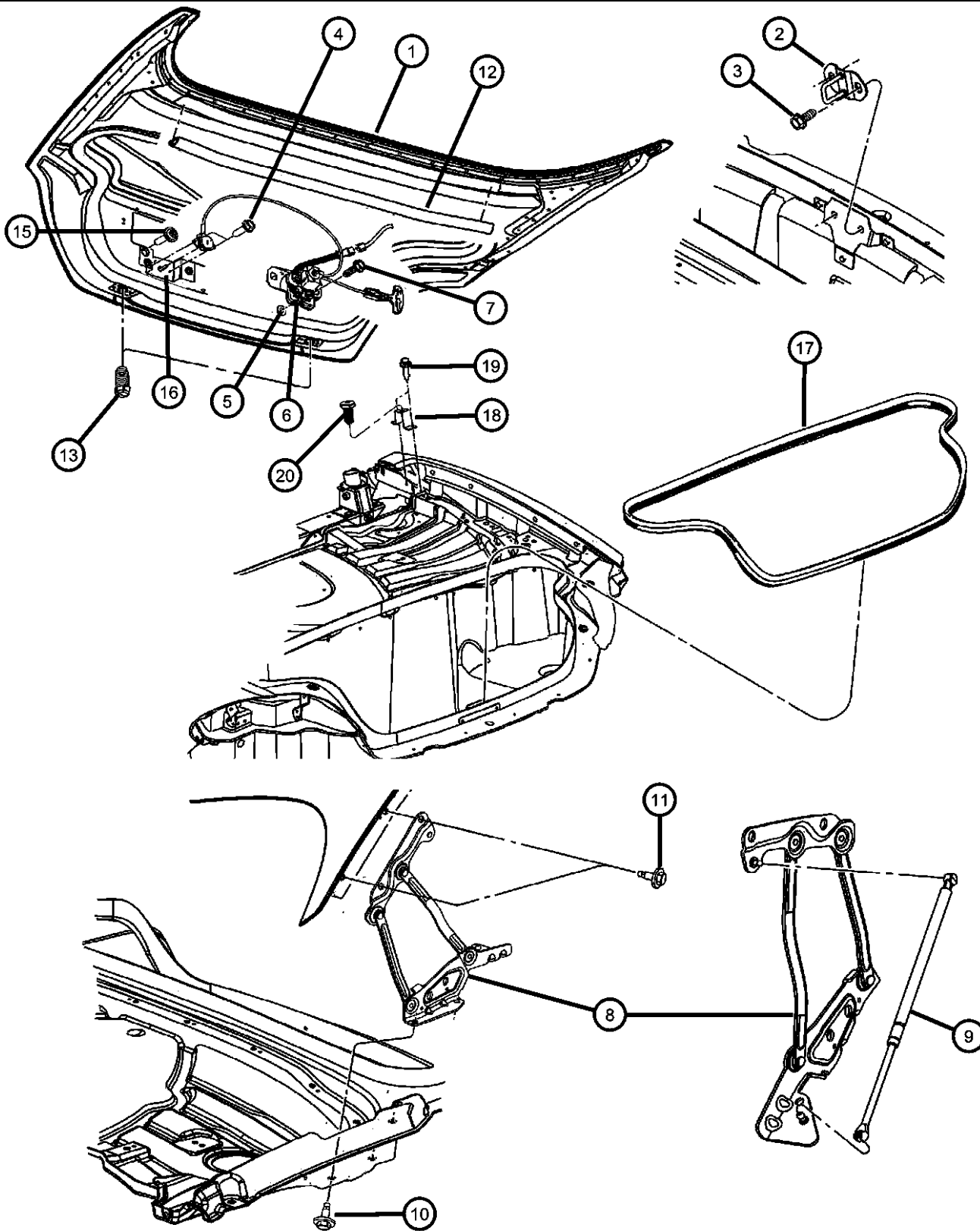
ENGINE
EWC = Engine - 8.3L V10 SFI

TRANSMISSION
DEC = 6-Speed Manual
DBB = All Manual Transmissions

AR = use ase required - = Non illustrated part

2003 ZB

Deck Lid
Figure SZB-1320



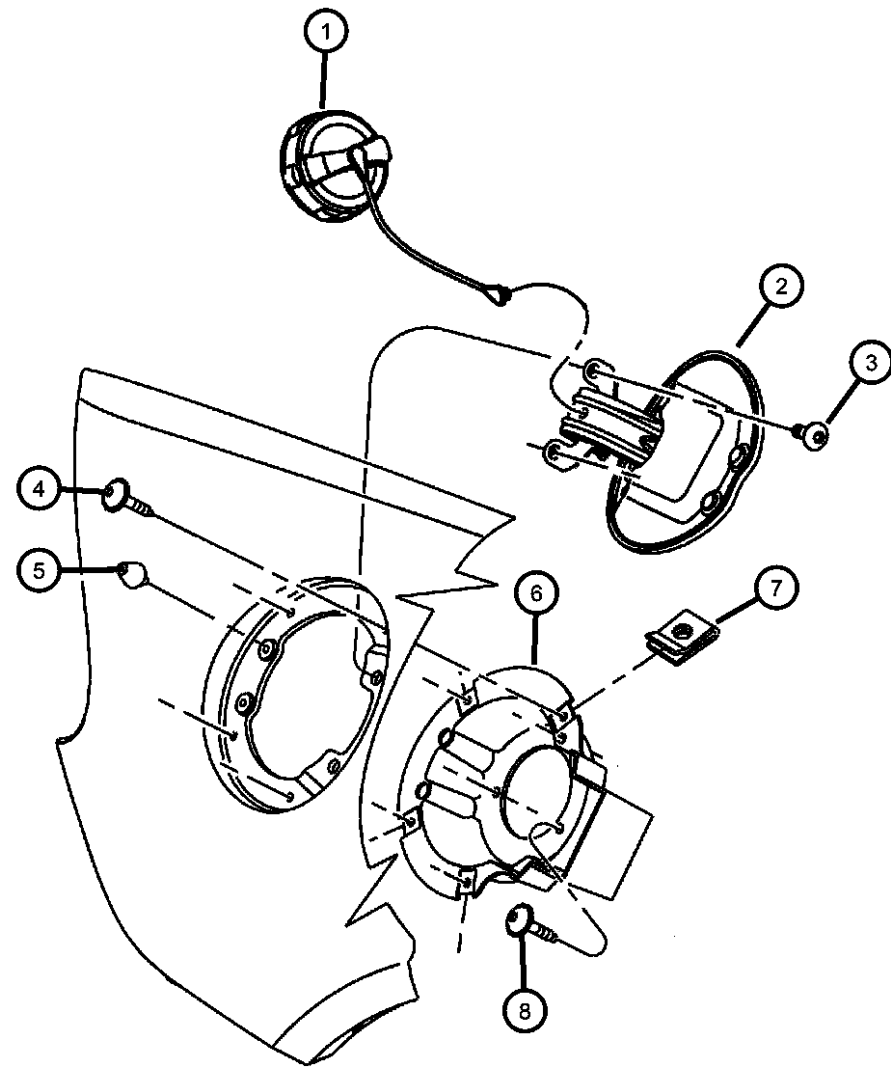
ITEM	PART NUMBER	QTY	LINE	SERIES	BODY	ENGINE	TRANS	TRIM	DESCRIPTION
Note: Sales Code: [SDP] = Service Dealer Paint									
1	04865482AB	1							DECKLID, Service Dealer Painted
2	04763384AB	1							STRIKER, Backlite
3	06101651	2							SCREW, Hex Head, M6x1x16, Striker Attaching
4	06101651	2							RIVET, Blind Bulb, [.125x.445], (NOT SERVICED)
5	06100877	2			27				WASHER, Flat, M6, Decklid Latch
6	05029156AB	1			27				LATCH, Decklid, With Cable and Switch
7	06101718	2							SCREW AND WASHER, Oval Head, M6x1x25, Latch Attaching to Decklid
8									HINGE, Deck Lid
	04865618AA	1							Right
	04865619AA	1							Left
9	04865981AA	2							PROP, Deck Lid
10	06101636	6							SCREW AND WASHER, Hex Head, M8x1.25x25, Body to Decklid Hinge
11	06101636	6							SCREW AND WASHER, Hex Head, M8x1.25x25, Serviced in Assembly, (NOT SERVICED)
12	05029136AA	1							ISOLATOR, Decklid, Decklid to Convertible Top
13	05029232AA	2							BUMPER, Deck Lid Overslam, Rear
-14	05256749	2							BUMPER, Deck Lid Adjuster
15	06035625	3							SCREW, [.190-16x.750]
16	04865876AA	1							BRACKET, Key Cylinder
17	05029039AA	1							WEATHERSTRIP, Decklid
18	05029210AA	2							BRACKET, Deck Lid Overslam
19	06034844	4							RIVET, Blind, .250x.375/.562, Overslam Bracket to Trunk Pan
20	04103165	2							BUMPER, Hood, Decklid Forward Overslam
-21	04103165	2							WATERDAM, Liftgate, (NOT SERVICED)
-22	04865778AA	1							BRACKET, Deck Lid Striker Mounting
-23	05257245	1				27			SPRING, Deck Lid Return

VIPER (ZB)

SERIES	LINE	BODY	ENGINE	TRANSMISSION
S = SRT-10	D = DODGE	27 = 2-DR CONVERTIBLE	EWC = Engine - 8.3L V10 SFI	DEC = 6-Speed Manual
X = Coupe		29 = SPECIALTY COUPE		DBB = All Manual Transmissions

AR = use ase required - = Non illustrated part

Fuel Filler Door
Figure SZB-1330



ITEM	PART NUMBER	QTY	LINE	SERIES	BODY	ENGINE	TRANS	TRIM	DESCRIPTION
1	05290145AA	1							CAP, Fuel Filler
2									DOOR, Fuel Fill
	0TR72LRNAB	1			27				[LRN]
	0TR72MX3AB	1			27				[MX3]
	0TR72VA9AB	1			27				[VA9]
3	06504791	2							SCREW, TAPPING, BUTTON HEAD, M6 X 1.00 X 18.00, Fuel Door to Quarter Panel
4	06504791	2							SCREW, .164-18x.625, (NOT SERVICED)
5	05029238AA	2							BUMPER, Fuel Door
6	04865906AB	1							HOUSING, Fuel Filler
7	06036491AA	4							NUT, Spring U Type, For .164-18 Screw
8	06036491AA	4							SCREW, .190-16 X .750, (Serviced in Kit 05101758AA), (NOT SERVICED)

VIPER (ZB)

SERIES
S = SRT-10
X = Coupe

LINE
D = DODGE

BODY
27 = 2-DR CONVERTIBLE
29 = SPECIALTY COUPE

ENGINE
EWC = Engine - 8.3L V10 SFI

TRANSMISSION
DEC = 6-Speed Manual
DBB = All Manual Transmissions

AR = use ase required - = Non illustrated part

2003 ZB

Group - LBLS

Labels All Vehicle Locations

Group - LBLS Labels All Vehicle Locations

Illustration Title

Group-Fig. No.

Interior

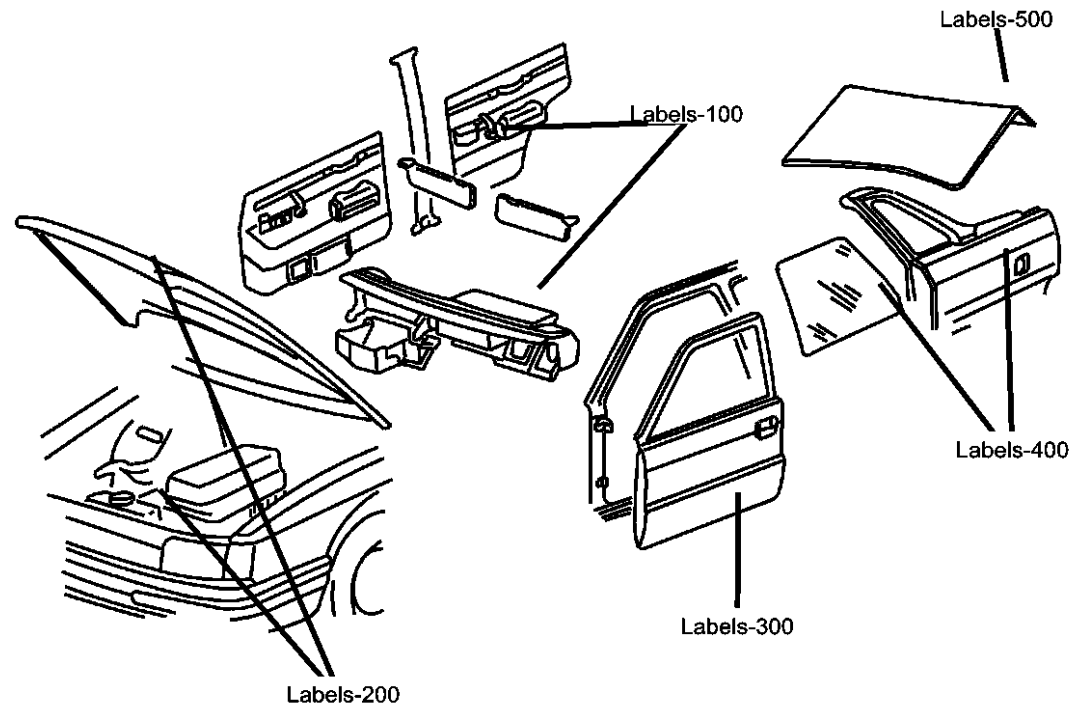
Instrument Panel, Visors and Trim..... Fig. LBLS - 110

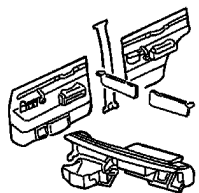
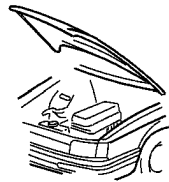

Under Hood

Engine Compartment Fig. LBLS - 210

Doors

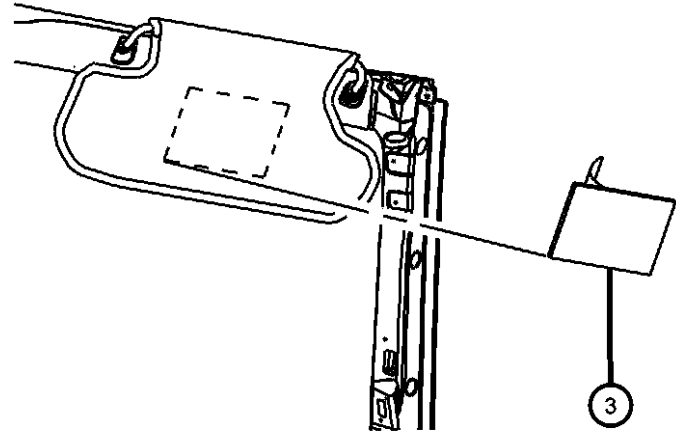
Doors and Pillars Fig. LBLS - 310



<p>LBLS-100 Interior</p> 	<p>LBLS-200 Under Hood</p> 	<p>LBLS-300 Doors</p> 	
---	---	--	--

**Instrument Panel, Visors and Trim
Figure LBLS-110**

ITEM	PART NUMBER	QTY	LINE	SERIES	BODY	ENGINE	TRANS	TRIM	DESCRIPTION
------	-------------	-----	------	--------	------	--------	-------	------	-------------



Note: Sales Code:

[CGZ] = Air Bag On/Off Switch - Passenger

1

04595748AA 1

04595749AA 1

2 05029280AA 1

3 55350848AA 2

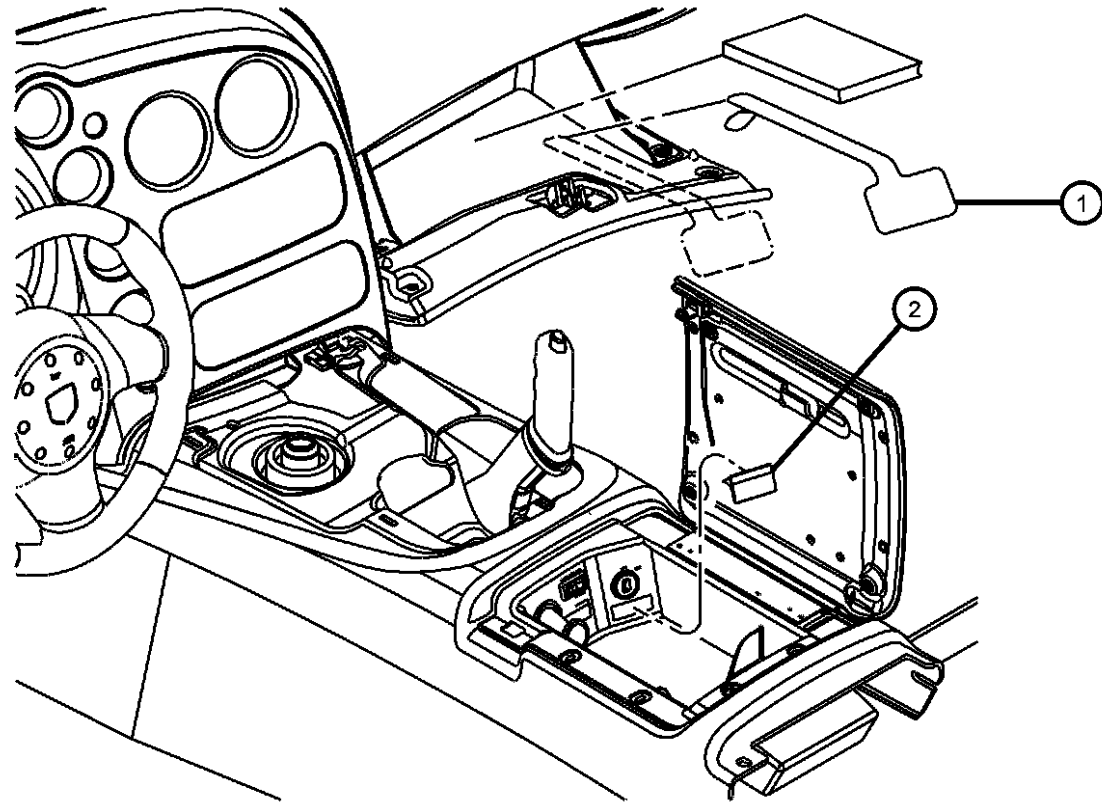
LABEL, Air Bag Warning,
Removable

English/French

LABEL, Air Bag Warning, French
[CGZ]

LABEL, Air Bag Warning, Visor,
English/French

27



VIPER (ZB)

SERIES

LINE

BODY

ENGINE

TRANSMISSION

S = SRT-10

D = DODGE

27 = 2-DR CONVERTIBLE

EWC = Engine - 8.3L V10 SFI DEC = 6-Speed Manual

X = Coupe

29 = SPECIALTY COUPE

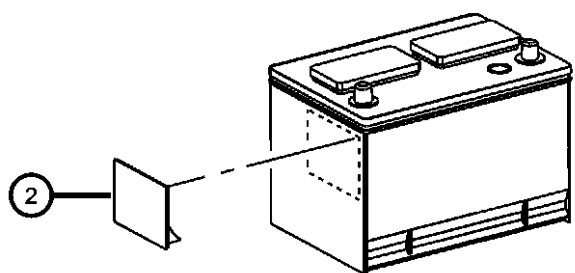
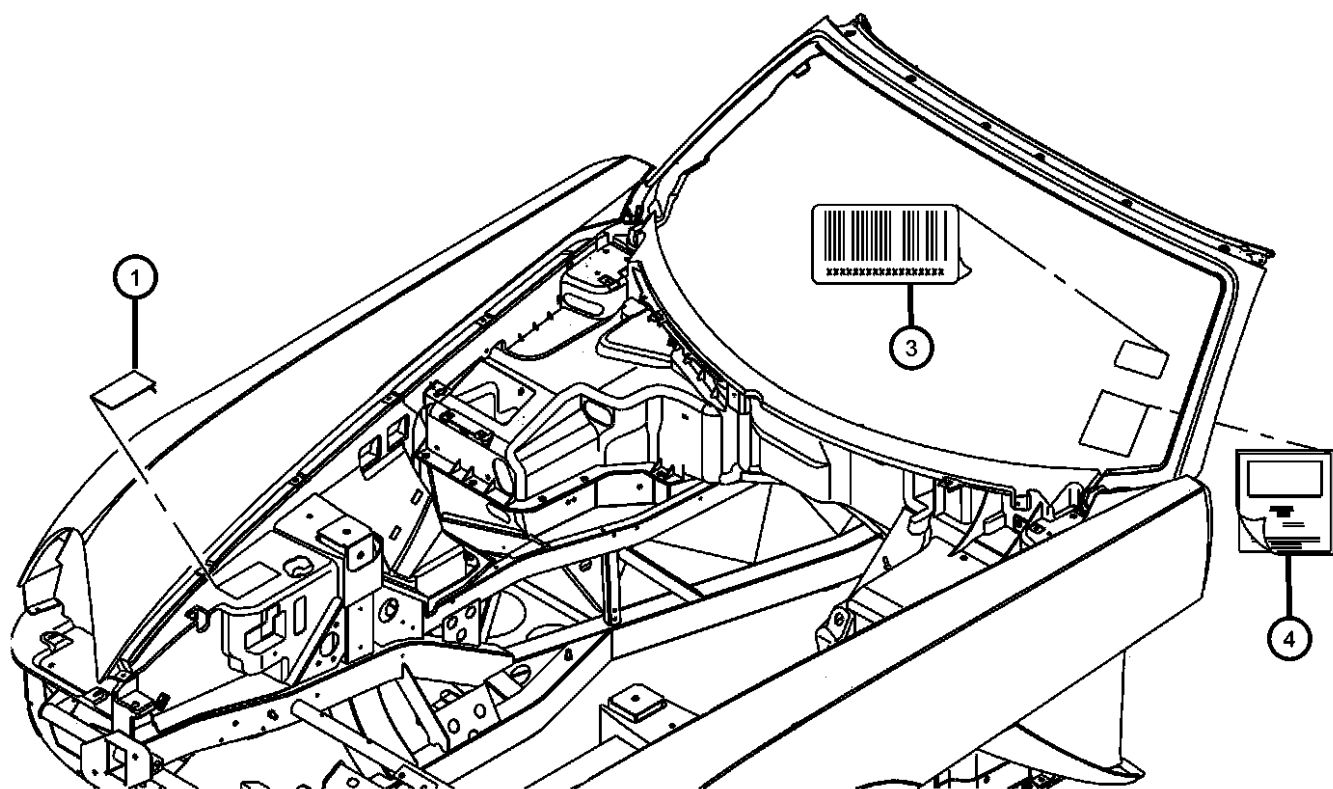
DBB = All Manual Transmissions

AR = use ase required - = Non illustrated part

2003 ZB

**Engine Compartment
Figure LBL5-210**

ITEM	PART NUMBER	QTY	LINE	SERIES	BODY	ENGINE	TRANS	TRIM	DESCRIPTION
1	05037995AA	1							LABEL, Belt Routing, English Only
2	04848923AA	1							LABEL, Battery, English/French
3	04848923AA	1							LABEL, VIN, Bar Code, (NOT SERVICED)
4	04848923AA	1							LABEL, Quality Assurance Test, (NOT SERVICED)



VIPER (ZB)

SERIES
S = SRT-10
X = Coupe

LINE
D = DODGE

BODY
27 = 2-DR CONVERTIBLE
29 = SPECIALTY COUPE

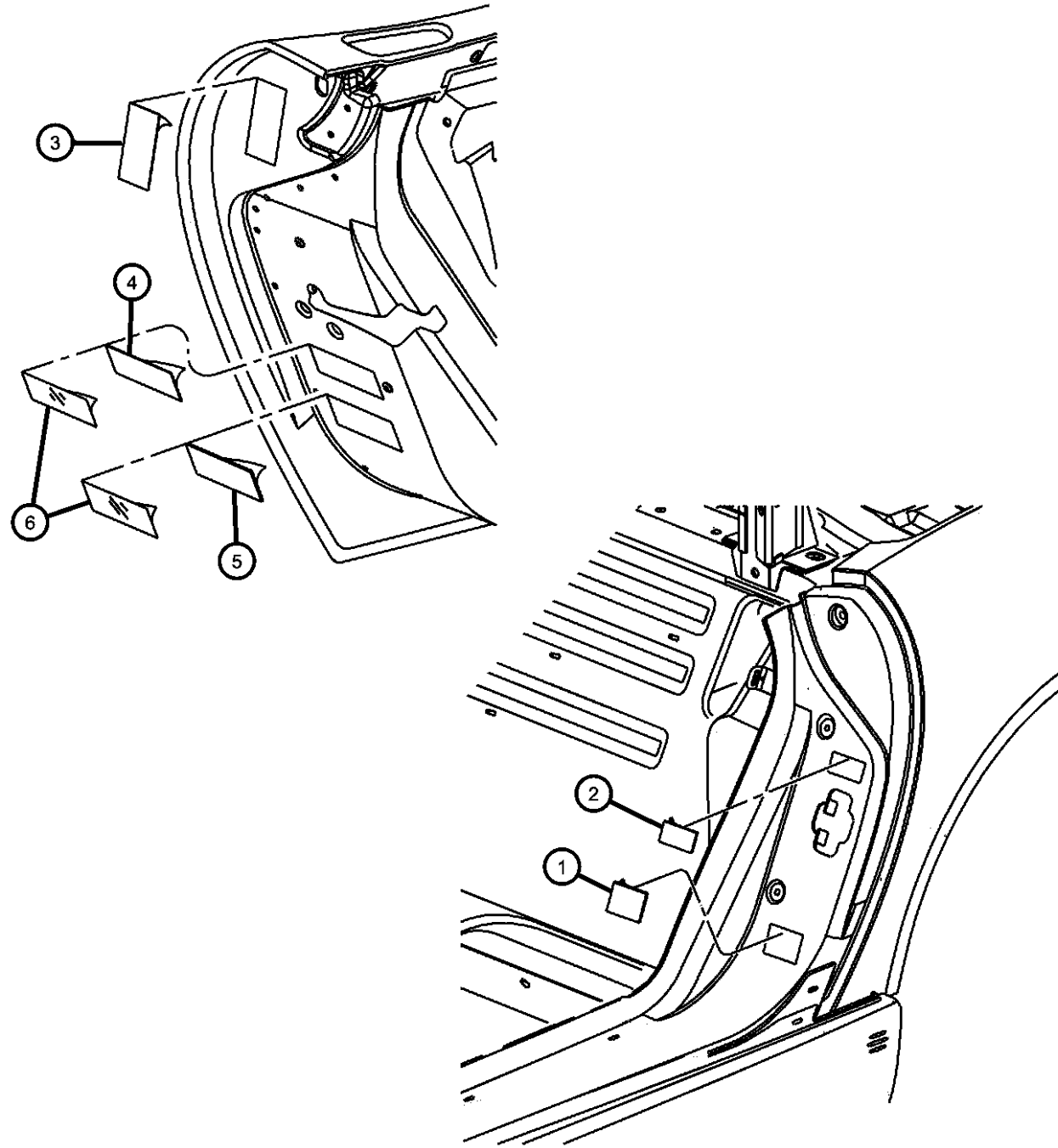
ENGINE
EWC = Engine - 8.3L V10 SFI

TRANSMISSION
DEC = 6-Speed Manual
DBB = All Manual Transmissions

AR = use ase required - = Non illustrated part

2003 ZB

Doors and Pillars
Figure LBL5-310



ITEM	PART NUMBER	QTY	LINE	SERIES	BODY	ENGINE	TRANS	TRIM	DESCRIPTION
1									LABEL, Exhaust Warning
	04708021	2							
	04708021AB	2			27				Use After 2/07/03
	04708337	2							English/French
	04708337AB	2			27				English/French After 2/07/03
2	04708022	2							LABEL, Warning Bar
3	04708022	2							LABEL, Tire Pressure, (NOT SERVICED)
4	04708022	2							LABEL, Certification, Canada Specifications, (NOT SERVICED)
5	04708022	2							LABEL, Certification, U.S. Specifications, (NOT SERVICED)
6	04040858	1			27				OVERLAY, Vehicle Certification

VIPER (ZB)

SERIES

S = SRT-10

X = Coupe

LINE

D = DODGE

BODY

27 = 2-DR CONVERTIBLE

29 = SPECIALTY COUPE

ENGINE

EWC = Engine - 8.3L V10 SFI

TRANSMISSION

DEC = 6-Speed Manual

DBB = All Manual Transmissions

AR = use ase required - = Non illustrated part

2003 ZB