

## VIN PLATE DECODING INFORMATION

<b>1</b>	<b>2</b>	<b>3</b>	<b>4</b>	<b>5</b>	<b>6</b>	<b>7</b>	<b>8</b>	<b>9</b>	<b>10</b>	<b>11</b>	<b>12 thru 17</b>
<b>Country</b>	<b>Make</b>	<b>Vehicle Type</b>	<b>Other</b>	<b>Line</b>	<b>Series</b>	<b>Body Style</b>	<b>Engine</b>	<b>Check Digit</b>	<b>Model Year</b>	<b>Assy. Plant</b>	<b>Sequence No.</b>

The following table interprets the VIN Plate position shown above.

Position	Interpretation	Codes = Description
1	Country of Origin	1 = U.S.
2	Assembler	B = Dodge
3	Vehicle Type	3 = Passenger Car
4	GVWR & Pass. Safety	E = Restraint System Active Driver & Passenger Air Bag (CGW)
5	Vehicle Line	R = Viper
6	Series	6 = Viper SRT-10 (D-S27)
7	Body Style	6 = 2 Door Speciality Coupe 5 = Convertible - Open Body
8	Engine	Z = 8.3L 10 Cyl. Alum. Block (EWC)
9	Check Digit	0 = Check Digit 0 = Check Digit
10	Model Year	3 = 2003 4 = 2004 5 = 2005
11	Assembly Plant	V = Conner Avenue
12 thru 17	Vehicle Build Sequence	Model Year Assembly Sequence

# Group - 2

## Front Suspension & Drive

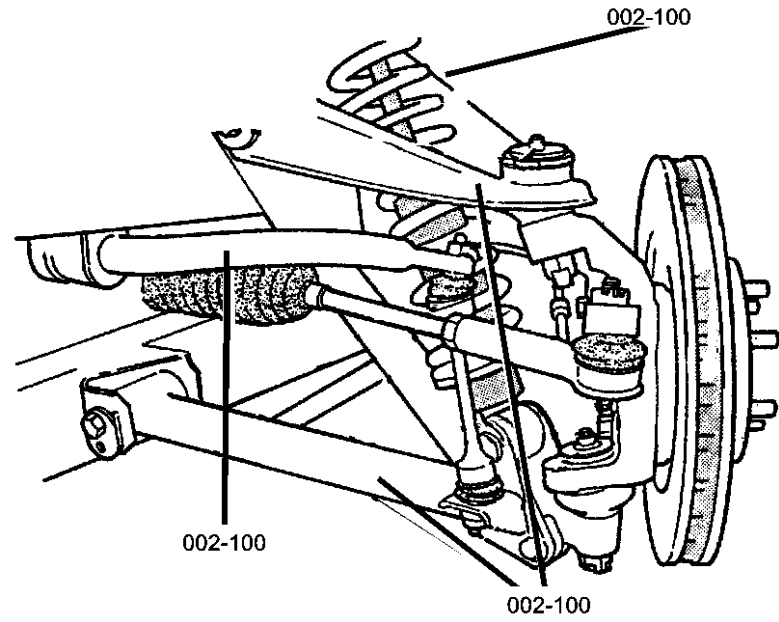
### Group - 2 Front Suspension & Drive

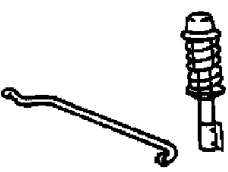
Group-Fig. No.

Illustration Title

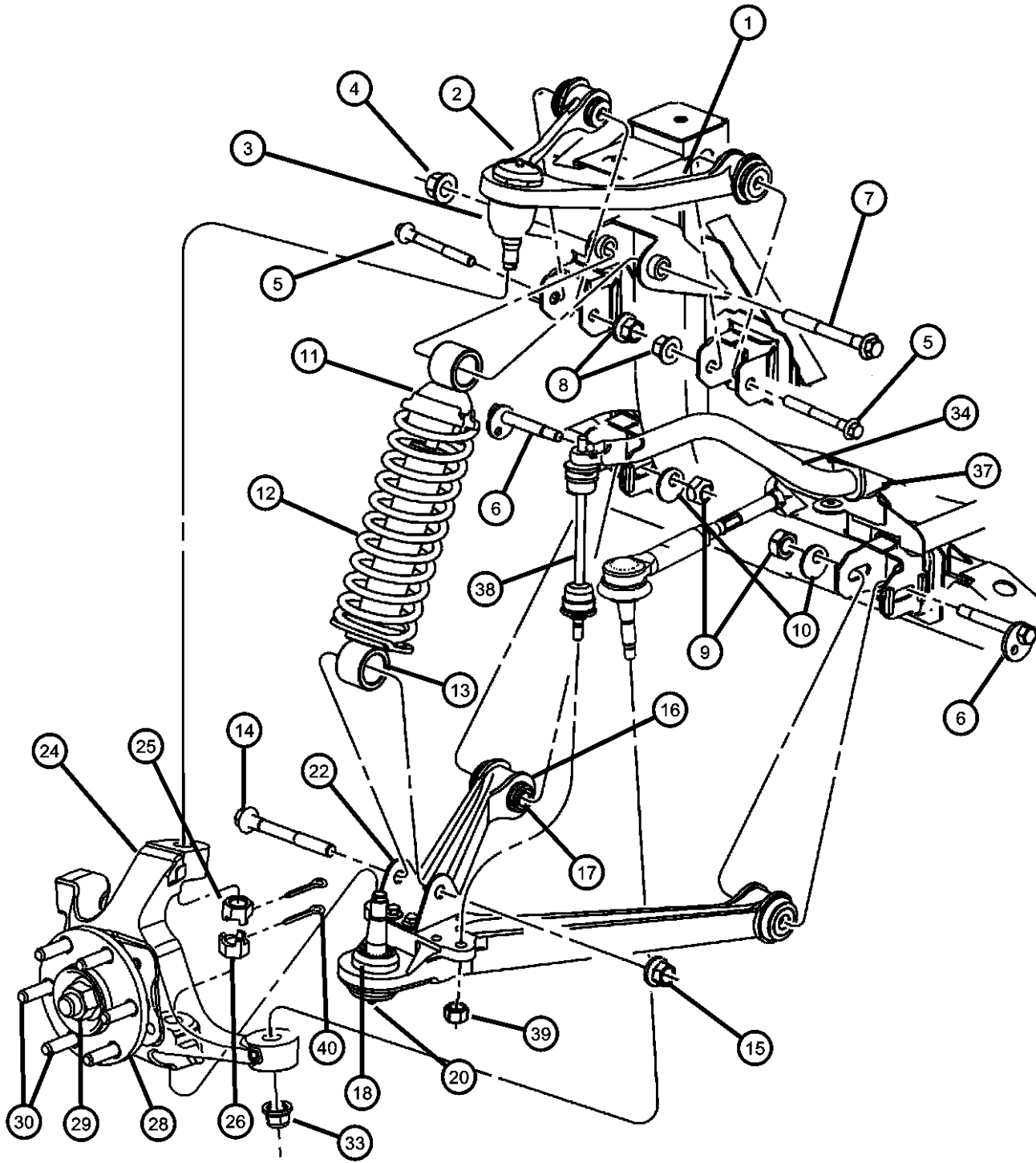
#### Front Suspension

Suspension, Front..... Fig. 2 - 110



<p><b>002-100</b> Front Suspension</p> 			
---	--	--	--

Suspension, Front  
Figure 2-110



ITEM	PART NUMBER	QTY	LINE	SERIES	BODY	ENGINE	TRANS	TRIM	DESCRIPTION
------	-------------	-----	------	--------	------	--------	-------	------	-------------

NOTE: Sales Codes  
[SDE] = Sport Suspension

1									ARM, Control
	05290276AA	1							Upper Right
	05290277AA	1							Upper Left
2	06030099	1							FITTING, Ball Joint, Zirc
3	52006405	1							SEAL, Ball Joint
4	06502698	2							NUT, Hex Flange LockShock Mounting Upper
5	06502046	4							BOLT, Suspension Upper Arm
6	06036525AA	4							BOLT, Control Arm Cam
7	06504189	2							SCREWShock Mounting Upper
8	06502585	4							NUT, Upper Control Arm
9	06036467AA	4							NUT, Hex Lock, .50-20, Cam Bolt Lower Control Arm
10	06036469AA	4							WASHER, Control ArmLower
11	05290038AC	2							SHOCK ABSORBER, Suspension, Front
12	04873102	2							SPRING, Front Suspension Coil
13	05290233AA	4							BUSHING
14	06100969	2							BOLT, Hex Flange Head, M14x2.00x90Shock Absorber Lower Mounting
15	06502698	4							NUT, Hex Flange LockShock Absorber Lower Mounting
16									ARM, Control
	05290690AA	1							Lower Right
	05290691AA	1							Lower Left
17	04848050	2							BUSHING, Control Arm
18	04848050	2							BALL JOINT, Lower Control Arm, Serviced with Control Arm, (NOT SERVICED)
-19	04848173	1							GASKET
20	06030099	1							FITTING, Ball Joint, Zirc
-21	52006404	1							SEAL, Ball Joint
22									BRACKET, Shock Mounting
	04709298	1							Right
	04709299	1							Left
-23	06101696	3							NUT, Control Arm Bracket Attaching
24									KNUCKLE, Front

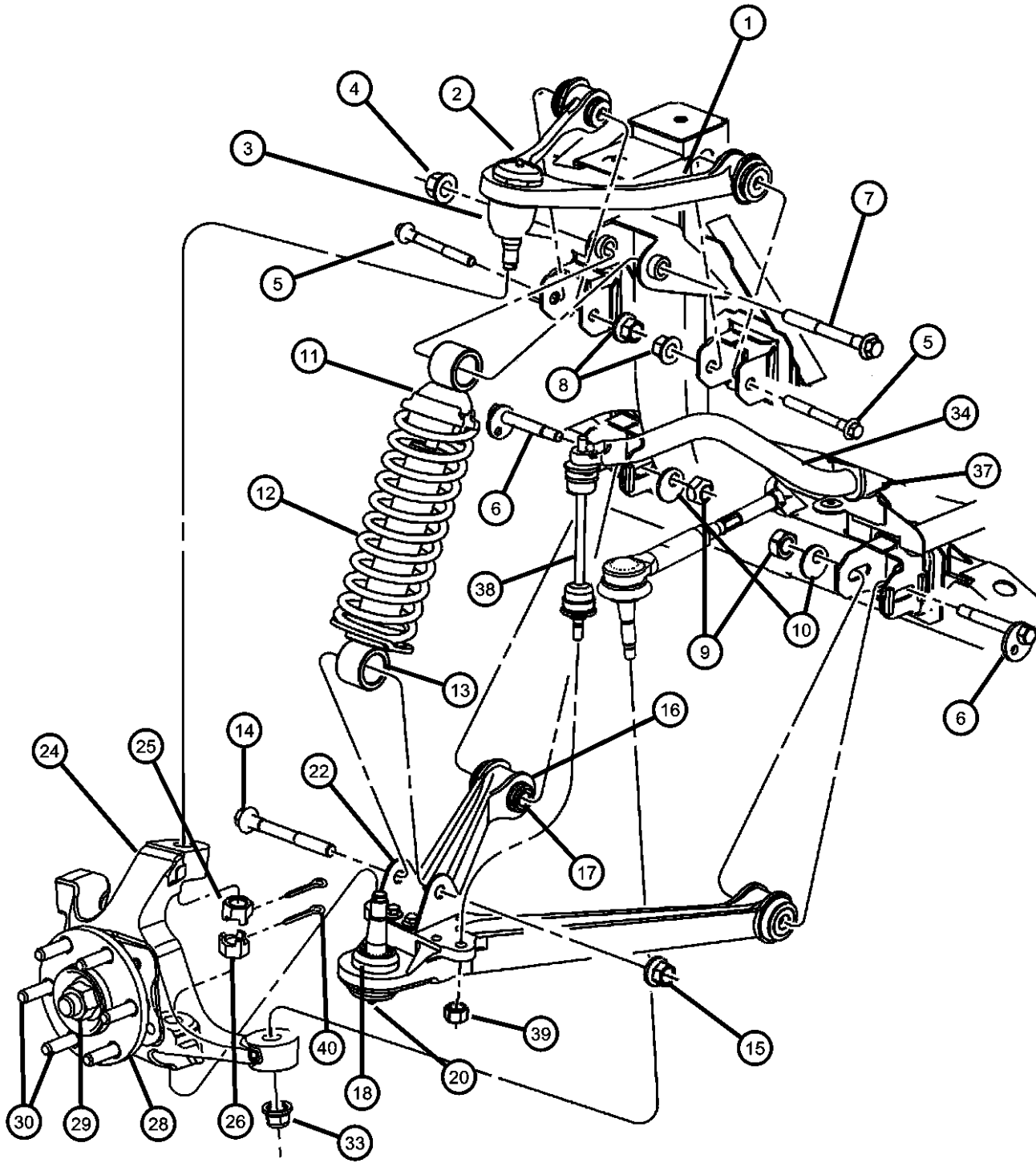
VIPER (ZB)

SERIES	LINE	BODY	ENGINE	TRANSMISSION
S = SRT-10	D = DODGE	27 = 2-DR CONVERTIBLE	EWC = Engine - 8.3L V10 SFI	DEC = 6 Speed Manual
X = Coupe		29 = SPECIALTY COUPE		DBB = All Manual Transmissions

AR = use ase required - = Non illustrated part

2005 ZB

Suspension, Front  
Figure 2-110



ITEM	PART NUMBER	QTY	LINE	SERIES	BODY	ENGINE	TRANS	TRIM	DESCRIPTION
	05290030AC	1							Right
	05290031AC	1							Left
25	06035641	2							NUT, Hex, .625-18, Upper Ball Joint to Knuckle
26	06035670	4							NUT, Hex, Lower Ball Joint to Knuckle
-27	04848166	1							GASKET, Front Wheel Bearing
28	04763182AB	1							BEARING Right or Left
29	06502294	1							NUT, Hex Flange, M22x1.25 Bearing
30	06033702	6							STUD, Hub
-31	06502136	4							BOLT, Hex Flange Head, M10x1.50x55 Hub To Knuckle Mounting
-32	05290695AA	1							SEAL Hub And Bearing
33	06506557AA	2							NUT AND WASH Tie Rod To Knuckle
34	05290035AB	1							STABILIZER BAR, Front
-35	06100219	2							NUT, Hex Jam, M10x1.5
-36	04404219AB	2							RETAINER, Stabilizer Bar Grommet, Attaching
37	04643004	2							BUSHING, Stabilizer Bar
38	04763147	2							LINK, Sway Eliminator
39	06502556	2							NUT, Hex, M10-1.5, Sway Bar Link to LCA
40	00120123	4							PIN, Cotter

VIPER (ZB)

SERIES	LINE	BODY	ENGINE	TRANSMISSION
S = SRT-10	D = DODGE	27 = 2-DR CONVERTIBLE	EWC = Engine - 8.3L V10 SFI	DEC = 6 Speed Manual
X = Coupe		29 = SPECIALTY COUPE		DBB = All Manual Transmissions

AR = use ase required - = Non illustrated part

2005 ZB

# Group - 3

## Rear Axle

### Group - 3 Rear Axle

Group-Fig. No.

Illustration Title

#### Rear Axle

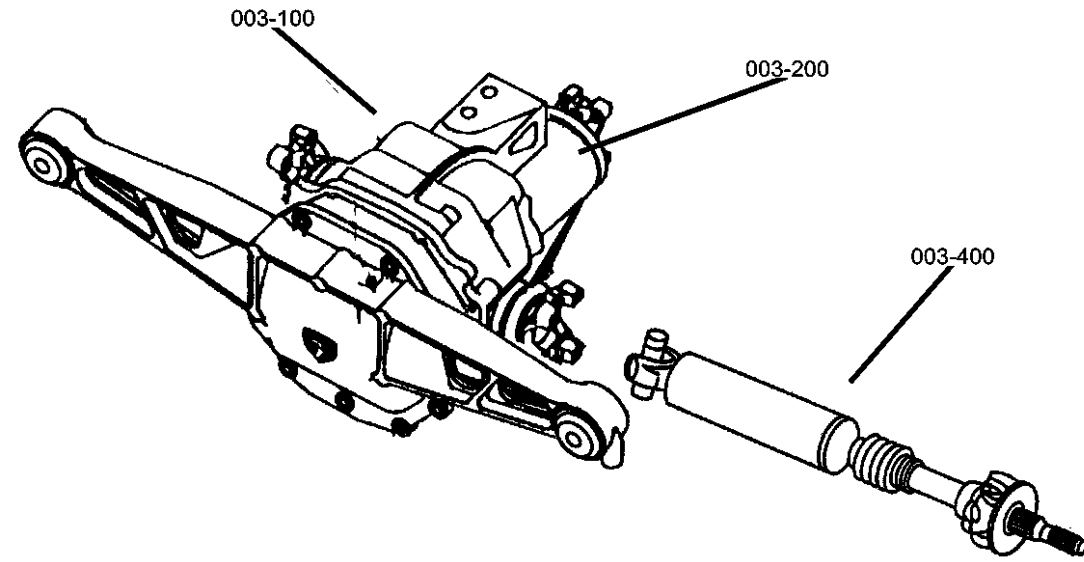
Differential Assembly and Mounting Parts ..... Fig. 3 - 110

#### Differential and Housing

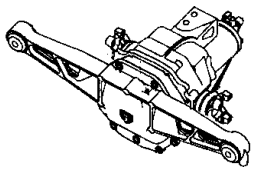
Differential Components ..... Fig. 3 - 210

#### Rear Axle Shafts

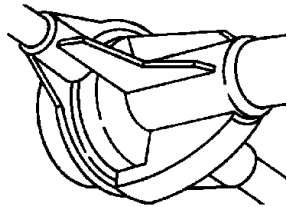
Shaft, Rear Axle ..... Fig. 3 - 410



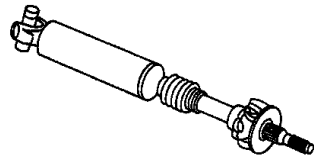
**003-100**  
Rear Axle



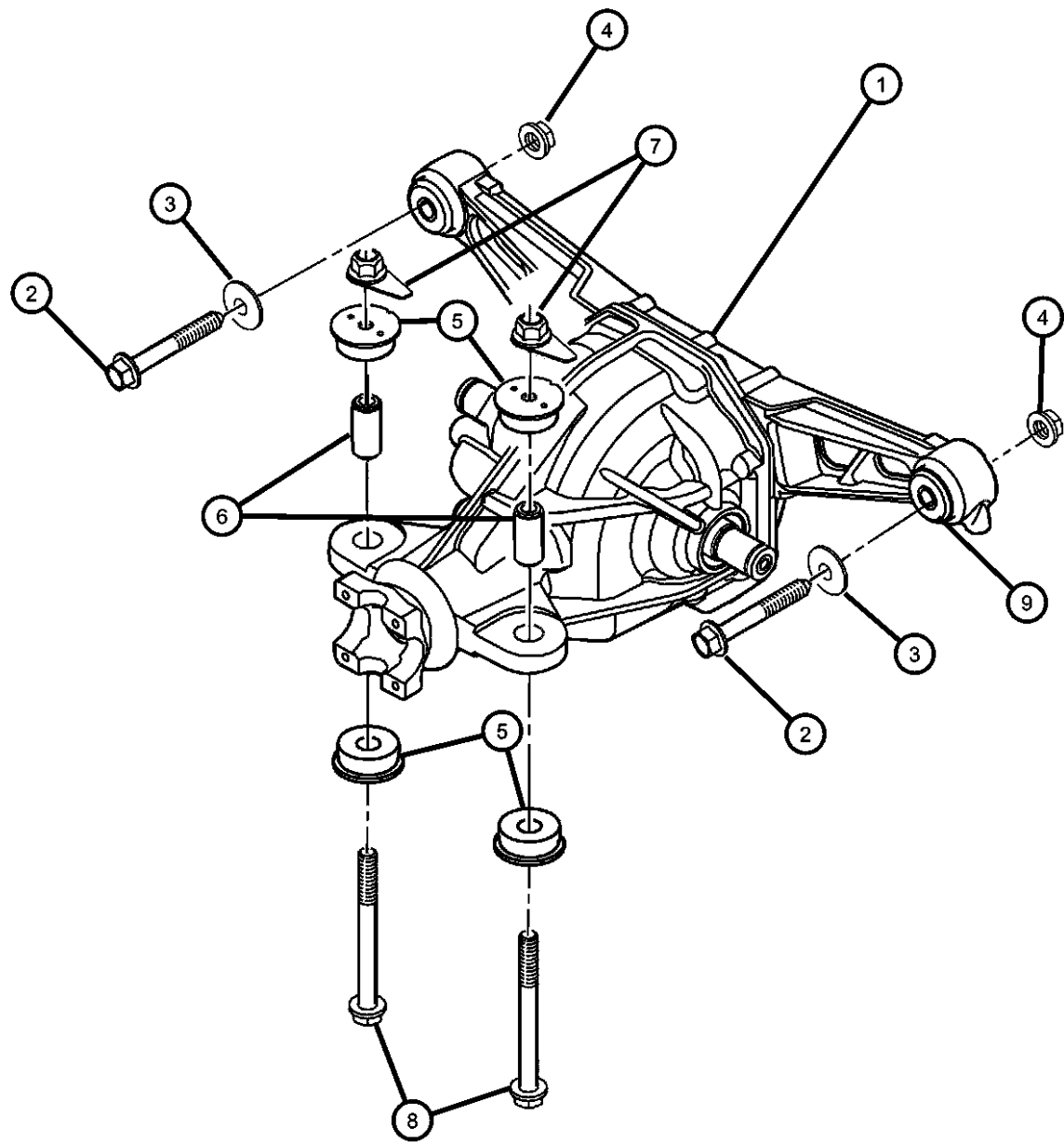
**003-200**  
Differential and Housing



**003-400**  
Rear Axle Shafts



**Differential Assembly and Mounting Parts**  
**Figure 3-110**



ITEM	PART NUMBER	QTY	LINE	SERIES	BODY	ENGINE	TRANS	TRIM	DESCRIPTION
1	05038025AC 04874469 68003055AA	1							DIFFERENTIAL, Rear Axle Mopar SAE 75W-140 Synthetic Gear and Axle Lube Quart Mopar SAE 75W-140 Synthetic Gear and Axle Lube 16 Gallon Keg
2	06102404AA	2							BOLT, Hex Head
3	06506890AA	2							WASHER, Flat
4	06100520	2							NUT, Hex Flange Head Locking, M14x2
5	05037261AA	4							BUSHING, Differential Pinion Mounting
6	05037260AA	2							BUSHING, Axle Mount
7	06504065	2							NUT AND RETAINER, Hex Flange Locking, M12x1.75
8	06502046	2							BOLT, Suspension Upper Arm
9	04626738AB	2							BUSHING, Axle Mount

**VIPER (ZB)**

SERIES  
 S = SRT-10  
 X = Coupe

LINE  
 D = DODGE

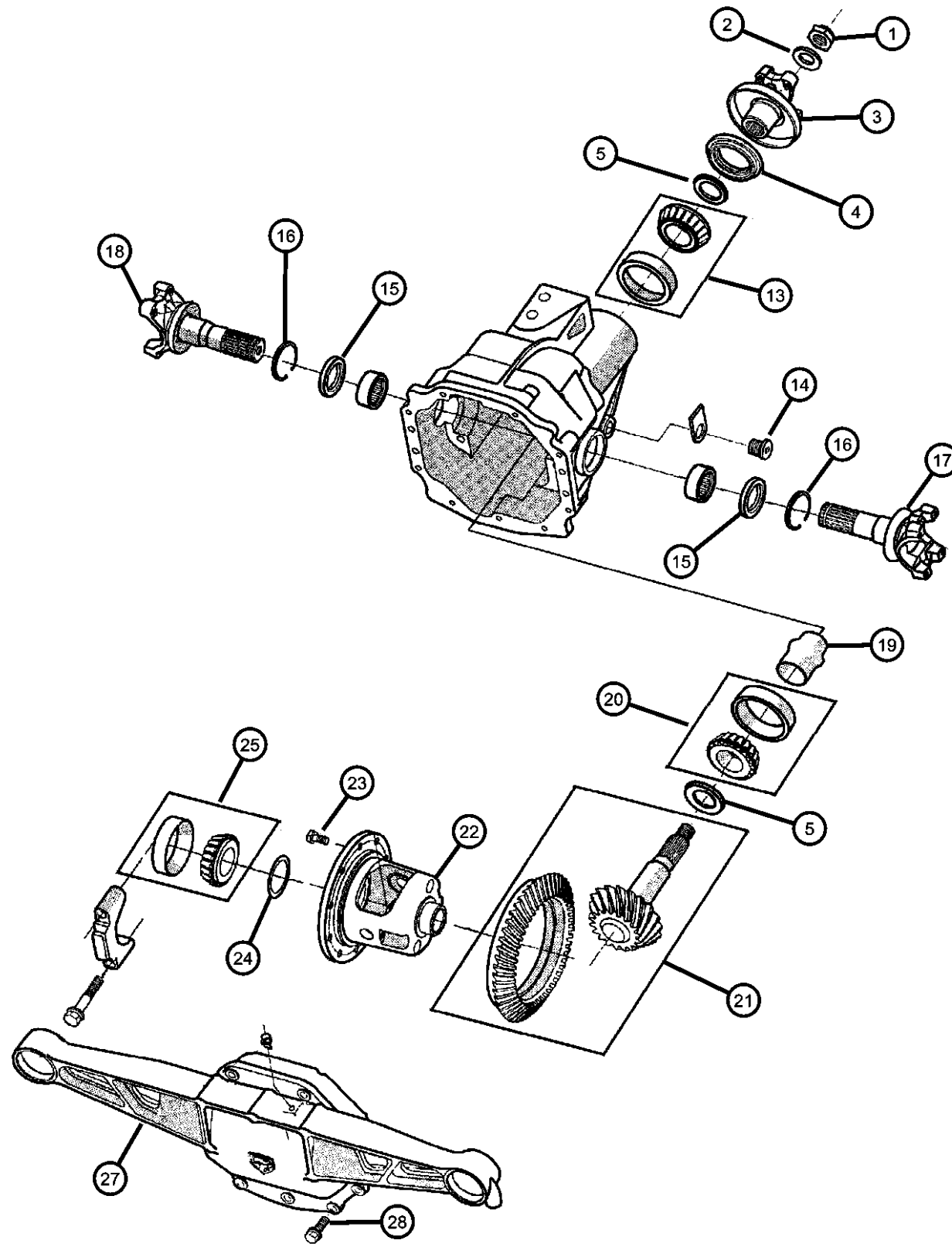
BODY  
 27 = 2-DR CONVERTIBLE  
 29 = SPECIALTY COUPE

ENGINE  
 EWC = Engine - 8.3L V10 SFI

TRANSMISSION  
 DEC = 6 Speed Manual  
 DBB = All Manual Transmissions

AR = use ase required - = Non illustrated part

Differential Components  
Figure 3-210



ITEM	PART NUMBER	QTY	LINE	SERIES	BODY	ENGINE	TRANS	TRIM	DESCRIPTION
1	01795173	1							NUT, Pinion Yoke
2	01795175	1							WASHER, Pinion Yoke
3	05093385AA	1							YOKE, Drive Shaft
4	05019843AA	1							SEAL, Drive Pinion
5	04626728	1							SHIM KIT, Pinion Shaft
-6	04856368	1							SHIM KIT, Pinion Shaft, Dana 44 [.035 to .039]
-7	04856369	1							SHIM KIT, Pinion Shaft, Dana 44 [.040 to .044]
-8									SHIM, Drive Pinion Bearing [.040]
	05017332AA	1							[.041]
	05017333AA	1							[.042]
	05017334AA	1							[.043]
	05017335AA	1							[.044]
-9	04856370	1							SHIM KIT, Pinion Shaft, Dana 44 [.045 to .049]
-10									SHIM, Drive Pinion Bearing [.045]
	05017337AA	1							[.046]
	05017338AA	1							[.047]
	05017339AA	1							[.048]
	05017340AA	1							[.049]
	05017341AA	1							[.050]
-11	04856371	1							SHIM KIT, Pinion Shaft, Dana 44 [.050 to .054]
-12									SHIM, Drive Pinion Bearing [.051]
	05017342AA	1							[.052]
	05017343AA	1							[.053]
	05017344AA	1							[.054]
	05017345AA	1							[.055]
	05017346AA	1							[.056]
13	04746979	1							BEARING, Drive Pinion
14	04626710	1							PLUG, Differential Housing
15	04626696	2							SEAL, Axle Drive Shaft
16	05093551AA	2							CIRCLIP, Half Shaft
17	05093550AA	1							SHAFT, Axle Intermediate
18	05093547AA	1							SHAFT, Axle Intermediate
19	04864214	1							SPACER, Drive Pinion Bearing
20	04864210	1							BEARING, Drive Pinion

VIPER (ZB)

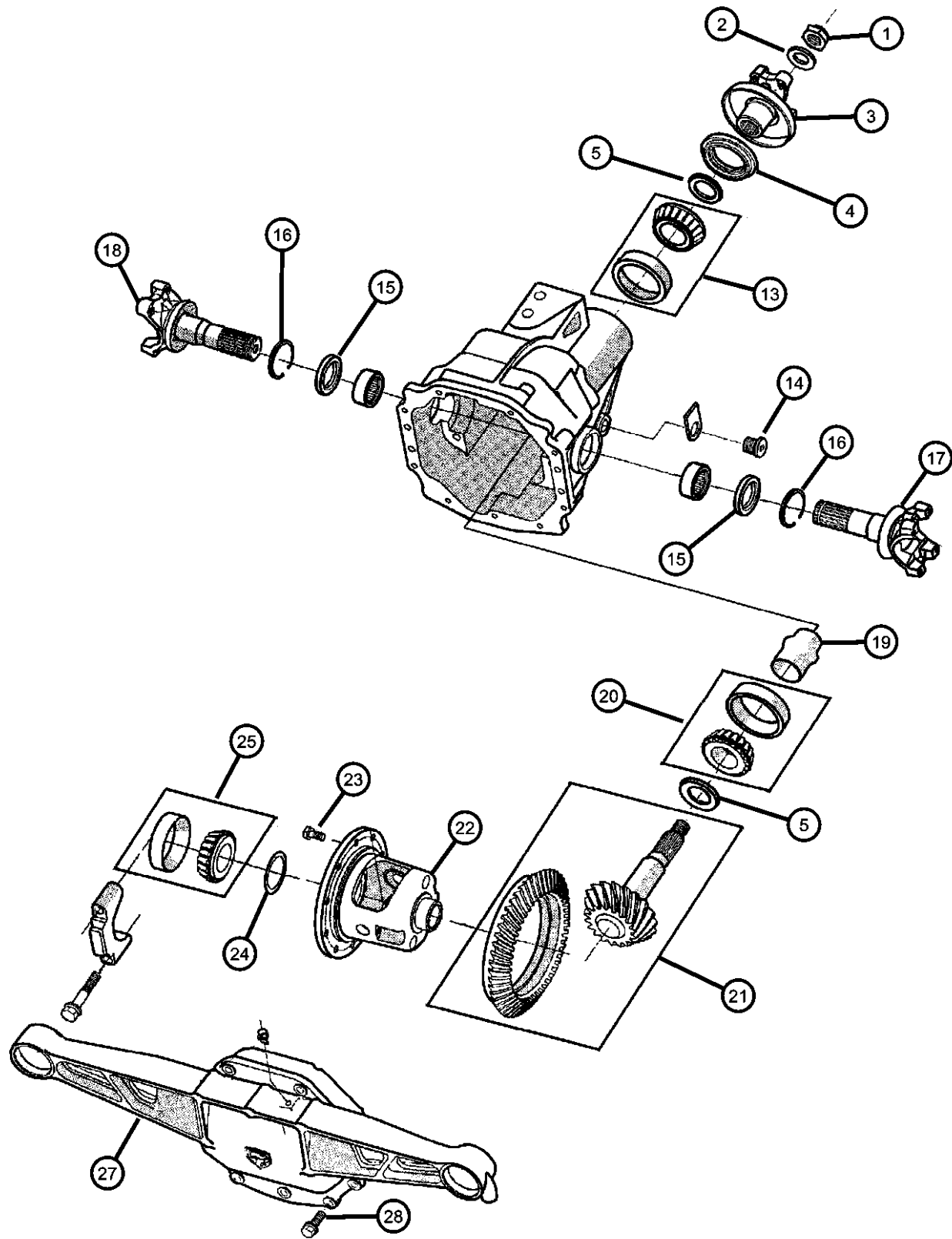
SERIES      LINE  
S = SRT-10    D = DODGE  
X = Coupe

BODY  
27 = 2-DR CONVERTIBLE  
29 = SPECIALTY COUPE

ENGINE      TRANSMISSION  
EWC = Engine - 8.3L V10 SFI    DEC = 6 Speed Manual  
DBB = All Manual Transmissions

AR = use ase required    - = Non illustrated part

Differential Components  
Figure 3-210



ITEM	PART NUMBER	QTY	LINE	SERIES	BODY	ENGINE	TRANS	TRIM	DESCRIPTION
21	05093384AA	1							GEAR KIT, Ring And Pinion
22	05161963AA	1							CASE, Differential
23	05012810AC	1							BOLT KIT
24	J8129222	1							SHIM KIT, Differential
25	04864213	1							BEARING, Differential
-26	04626707	2							RING, Axle Shaft
27	05093383AA	1							COVER, Differential
28	04626709	9							BOLT, Differential Cover

VIPER (ZB)

SERIES

S = SRT-10

X = Coupe

LINE

D = DODGE

BODY

27 = 2-DR CONVERTIBLE

29 = SPECIALTY COUPE

ENGINE

EWC = Engine - 8.3L V10 SFI

TRANSMISSION

DEC = 6 Speed Manual

DBB = All Manual Transmissions

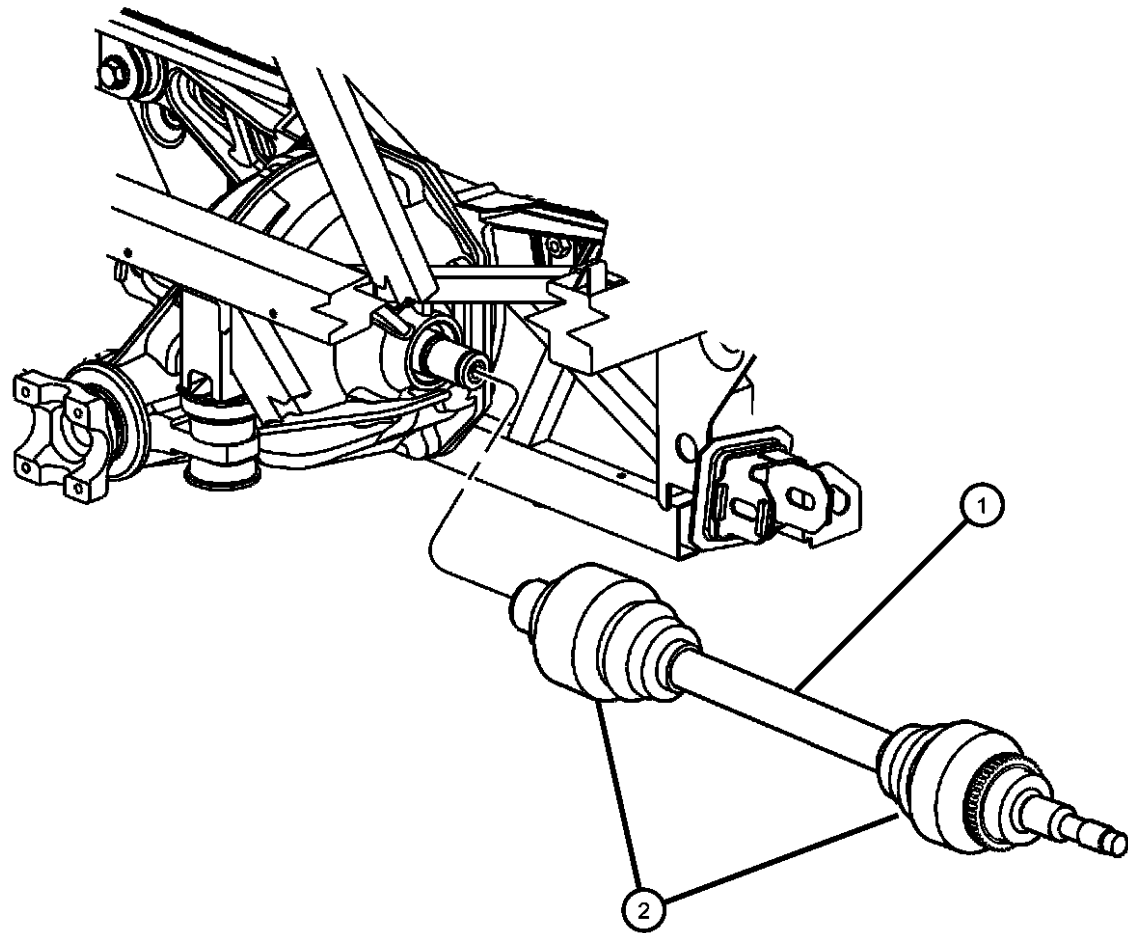
AR = use ase required - = Non illustrated part

2005 ZB



Shaft, Rear Axle  
Figure 3-410

ITEM	PART NUMBER	QTY	LINE	SERIES	BODY	ENGINE	TRANS	TRIM	DESCRIPTION
1	05038200AA	2							SHAFT, Axle Half
2	05038200AA	2							BOOT KIT, Half Shaft, (NOT SERVICED)



VIPER (ZB)

SERIES  
S = SRT-10  
X = Coupe

LINE  
D = DODGE

BODY  
27 = 2-DR CONVERTIBLE  
29 = SPECIALTY COUPE

ENGINE  
EWC = Engine - 8.3L V10 SFI

TRANSMISSION  
DEC = 6 Speed Manual  
DBB = All Manual Transmissions

AR = use ase required - = Non illustrated part

2005 ZB

# Group - 4

## Parking Brake

### Group - 4 Parking Brake

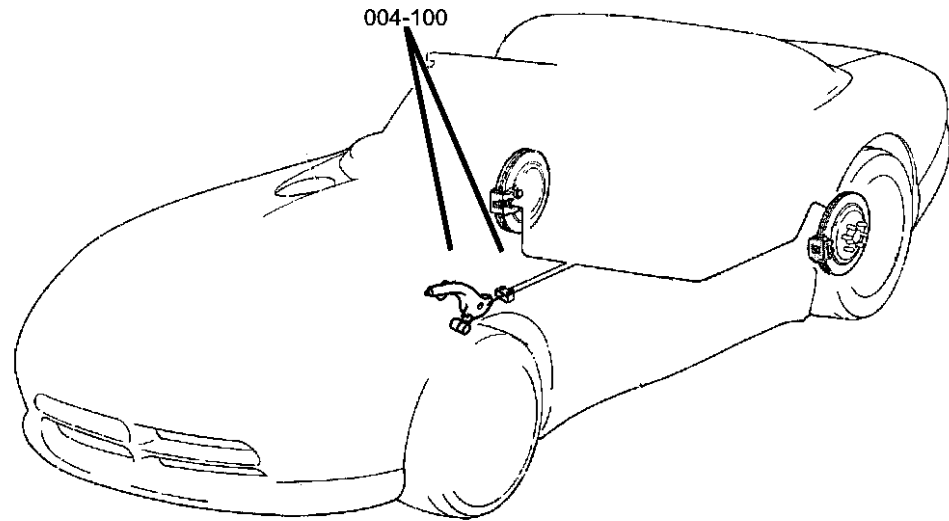
Group-Fig. No.

Illustration Title

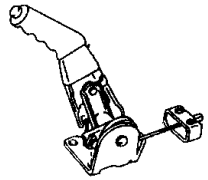
#### Parking Brake Lever and Cables

Lever Assembly and Cables..... Fig. 4 - 110

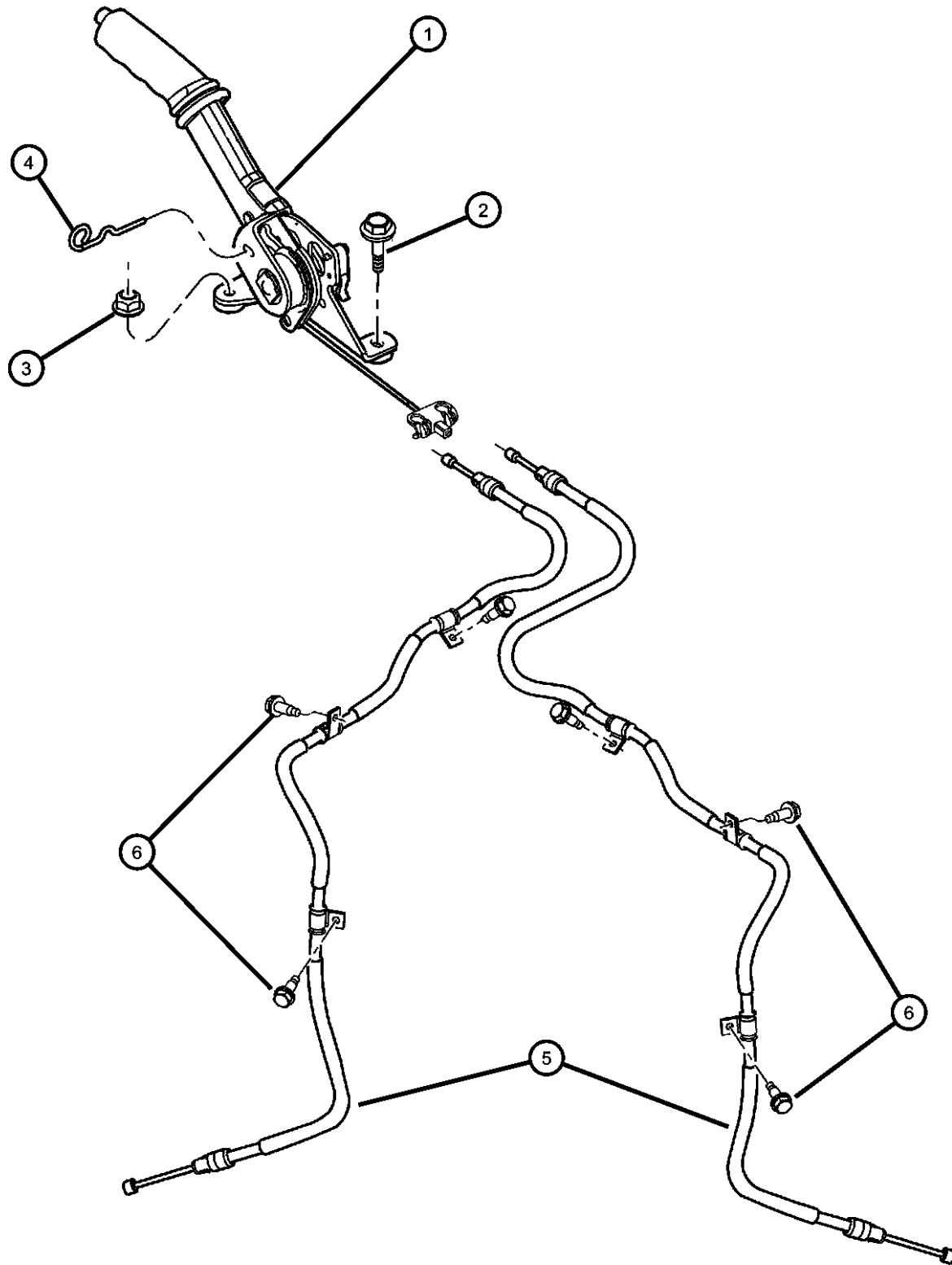
Caliper, Parking Brake..... Fig. 4 - 115



**004-100**  
Parking Brake Lever and Cables



Lever Assembly and Cables  
Figure 4-110



ITEM	PART NUMBER	QTY	LINE	SERIES	BODY	ENGINE	TRANS	TRIM	DESCRIPTION
1	0ZG751X9AA	1							LEVER, Park Brake [X9]
	0ZG75SR1AA	1							[XR]
2	0ZG75SR1AA	1							SCREW, Tap/Hex Flg Hd Type Serrations .250-14x.875, (NOT SERVICED),
3	06104716AA	1							NUT
4	06104716AA	1							PIN, (NOT SERVICED)
5	05290284AE	1							CABLE, Parking Brake Right
	05290285AE	1							Left
6	05290285AE	1							SCREW, .250-14x.875, (NOT SERVICED)

VIPER (ZB)

SERIES  
S = SRT-10  
X = Coupe

LINE  
D = DODGE

BODY  
27 = 2-DR CONVERTIBLE  
29 = SPECIALTY COUPE

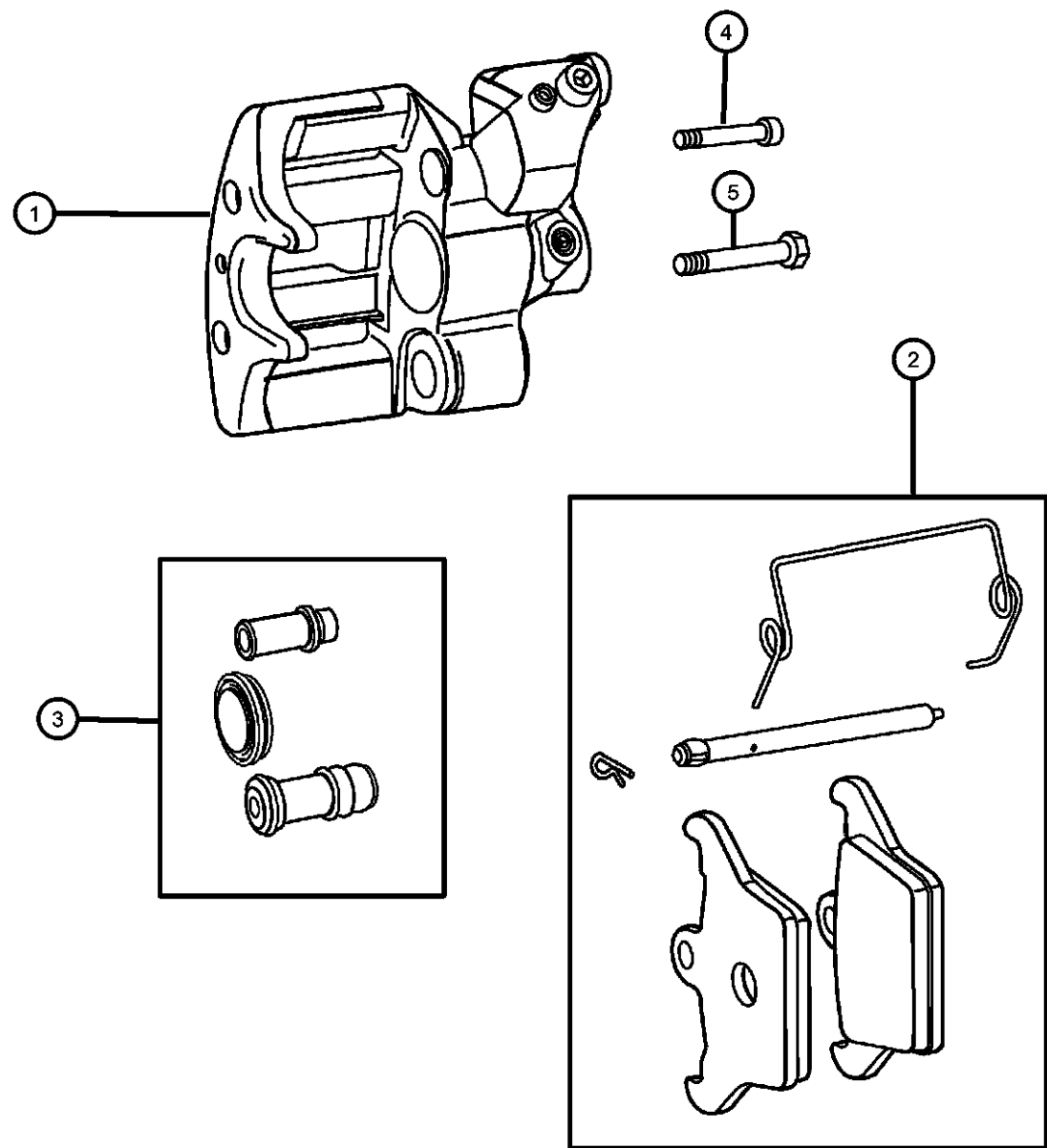
ENGINE  
EWC = Engine - 8.3L V10 SFI

TRANSMISSION  
DEC = 6 Speed Manual  
DBB = All Manual Transmissions

AR = use ase required - = Non illustrated part

2005 ZB

**Caliper, Parking Brake  
Figure 4-115**



ITEM	PART NUMBER	QTY	LINE	SERIES	BODY	ENGINE	TRANS	TRIM	DESCRIPTION
1	05093308AA	1							CALIPER, Disc Brake Right
	05093309AA	1							Left
2	05093307AA	1							PAD KIT, Disc Brake
3	05093311AA	1							BOOT KIT, Repair
4	06507582AA	2							SCREW, Socket Head, M8x1.25x60
5	06507581AA	2							BOLT, Hex Head, M10x1.25x80

**VIPER (ZB)**

SERIES  
S = SRT-10  
X = Coupe

LINE  
D = DODGE

BODY  
27 = 2-DR CONVERTIBLE  
29 = SPECIALTY COUPE

ENGINE  
EWC = Engine - 8.3L V10 SFI

TRANSMISSION  
DEC = 6 Speed Manual  
DBB = All Manual Transmissions

AR = use ase required - = Non illustrated part

2005 ZB

# Group - 5

## Service Brakes

### Group - 5 Service Brakes

Group-Fig. No.

Illustration Title

#### Front Brakes

Brakes, Front ..... Fig. 5 - 110

#### Rear Brakes

Brakes, Rear..... Fig. 5 - 210

#### Power Brake Booster

Booster, Power Brake..... Fig. 5 - 310

#### Brake Master Cylinder

Master Cylinder, Brake..... Fig. 5 - 410

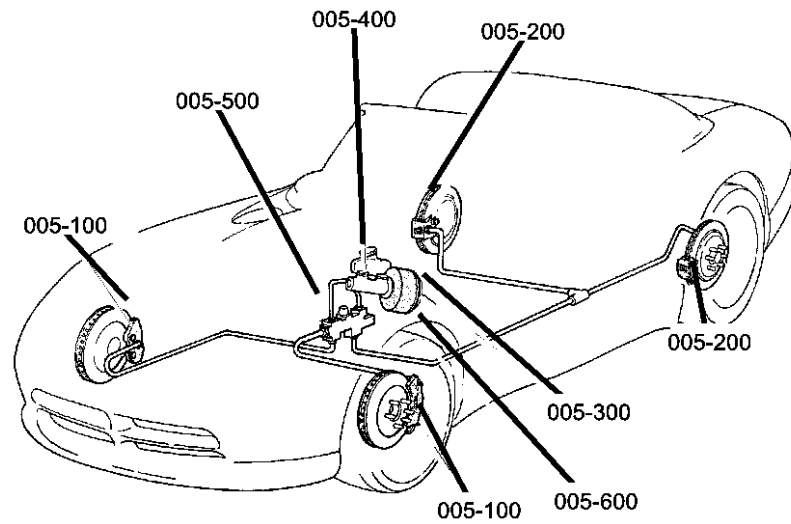
#### Brake Lines and Hoses

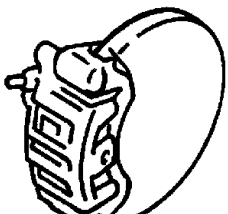
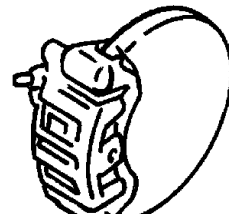
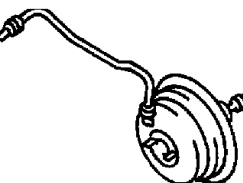
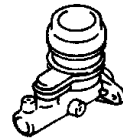
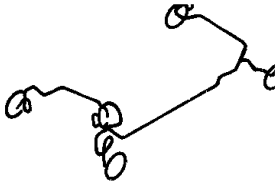

Lines And Hoses, Front..... Fig. 5 - 510

Lines and Hoses, Rear ..... Fig. 5 - 515

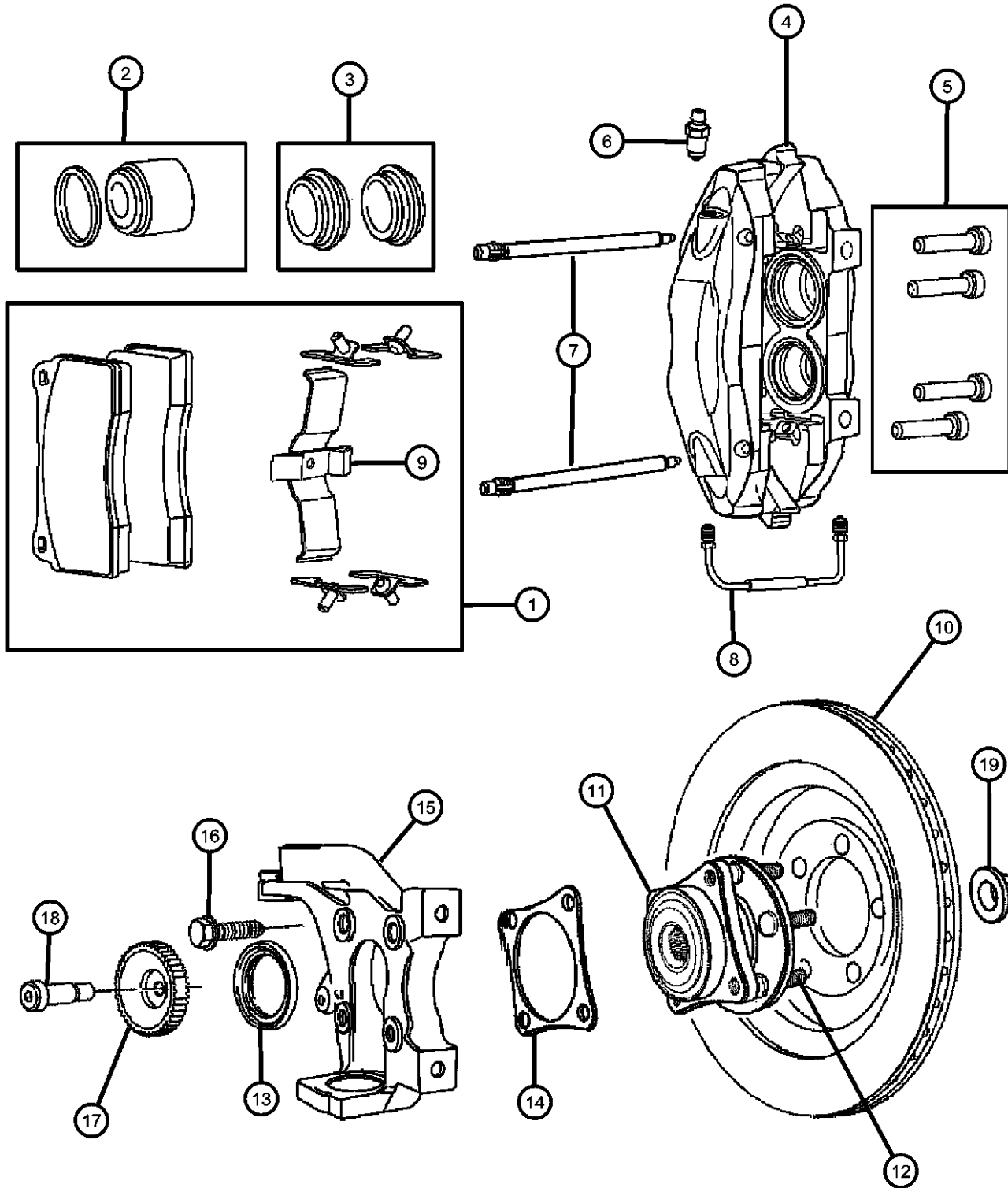
#### Brake Pedals

Pedal, Brake..... Fig. 5 - 610



<p><b>005-100</b> Front Brakes</p> 	<p><b>005-200</b> Rear Brakes</p> 	<p><b>005-300</b> Power Brake Booster</p> 	<p><b>005-400</b> Brake Master Cylinder</p> 
<p><b>005-500</b> Brake Lines and Hoses</p> 	<p><b>005-600</b> Brake Pedals</p> 		

Brakes, Front  
Figure 5-110



ITEM	PART NUMBER	QTY	LINE	SERIES	BODY	ENGINE	TRANS	TRIM	DESCRIPTION
1	05093291AA	1							PAD KIT, Disc Brake
2	05093294AA	1							PISTON KIT, Front Brake Contains: 2-44mm Pistons, with Seals
	05093295AA	1							Contains: 2-40mm Pistons, with Seals
3	05093296AA	1							BOOT KIT, Disc brake, Contains: 2-44mm and 2-40mm Boots
4	05136152AA	1							CALIPER, Disc Brake Less Pads without [JCN], Right
	05136153AA	1							Less Pads without [JCN], Left
	05170056AA	1							Less Pads with [JCN], Right, Export
	05170057AA	1							Less Pads with [JCN], Left, Export
5	06507587AA	4							SCREW, Cap, Caliper to Knuckle
6	05093297AA	1							BLEEDER SCREW, Brake
7	05093302AA	1							PIN KIT, Disc Brake, Contains: 4 Pins
8	05135210AA	1							TUBE, Brake Caliper
9	05093303AA	1							CLIP, Brake Caliper
10	05290394AA	2							ROTOR, Brake
11	04763182AB	1							BEARING
12	06033702	6							STUD, Hub
13	05290695AA	1							SEAL, Tone Wheel
14	04848166	1							GASKET, Front Wheel Bearing
15	05290030AC	1							KNUCKLE, Front Right
	05290031AC	1							Left
16	06502136	4							BOLT, Hex Flange Head, M10x1.50x55Knuckle/Hub Assembly
17	04854411AA	2							RING, Tone
18	05290042AA	2							BOLT, Tone Wheel Retainer
19	06502294	2							NUT, Hex Flange, M22x1.25
-20	05290952AA	2							SENSOR, Anti-Lock Brakes

VIPER (ZB)

SERIES      LINE  
S = SRT-10    D = DODGE  
X = Coupe

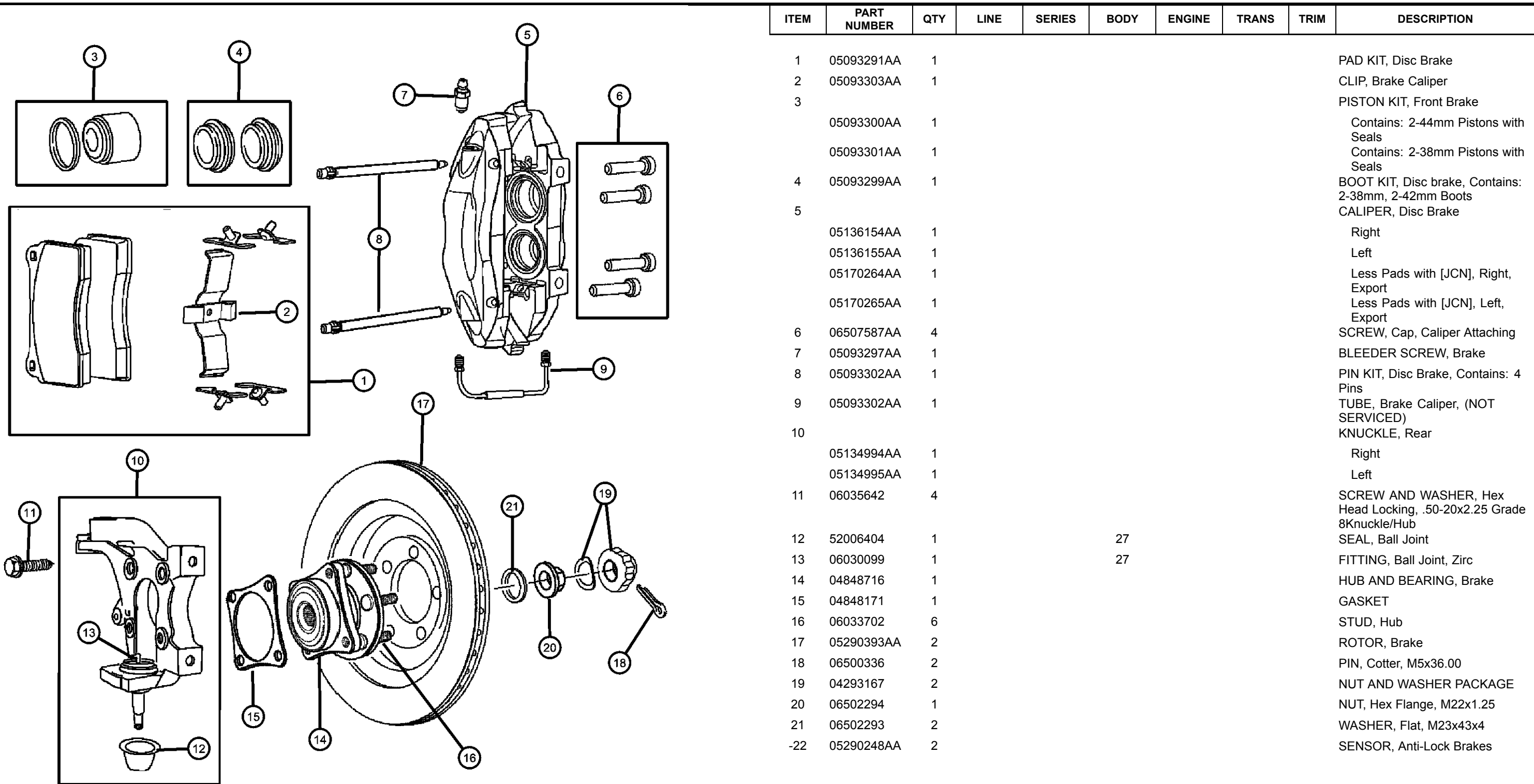
BODY  
27 = 2-DR CONVERTIBLE  
29 = SPECIALTY COUPE

ENGINE      TRANSMISSION  
EWC = Engine - 8.3L V10 SFI    DEC = 6 Speed Manual  
DBB = All Manual Transmissions

AR = use ase required    - = Non illustrated part

2005 ZB

**Brakes, Rear**  
**Figure 5-210**



ITEM	PART NUMBER	QTY	LINE	SERIES	BODY	ENGINE	TRANS	TRIM	DESCRIPTION
1	05093291AA	1							PAD KIT, Disc Brake
2	05093303AA	1							CLIP, Brake Caliper
3									PISTON KIT, Front Brake
	05093300AA	1							Contains: 2-44mm Pistons with Seals
	05093301AA	1							Contains: 2-38mm Pistons with Seals
4	05093299AA	1							BOOT KIT, Disc brake, Contains: 2-38mm, 2-42mm Boots
5									CALIPER, Disc Brake
	05136154AA	1							Right
	05136155AA	1							Left
	05170264AA	1							Less Pads with [JCN], Right, Export
	05170265AA	1							Less Pads with [JCN], Left, Export
6	06507587AA	4							SCREW, Cap, Caliper Attaching
7	05093297AA	1							BLEEDER SCREW, Brake
8	05093302AA	1							PIN KIT, Disc Brake, Contains: 4 Pins
9	05093302AA	1							TUBE, Brake Caliper, (NOT SERVICED)
10									KNUCKLE, Rear
	05134994AA	1							Right
	05134995AA	1							Left
11	06035642	4							SCREW AND WASHER, Hex Head Locking, .50-20x2.25 Grade 8Knuckle/Hub
12	52006404	1				27			SEAL, Ball Joint
13	06030099	1				27			FITTING, Ball Joint, Zirc
14	04848716	1							HUB AND BEARING, Brake
15	04848171	1							GASKET
16	06033702	6							STUD, Hub
17	05290393AA	2							ROTOR, Brake
18	06500336	2							PIN, Cotter, M5x36.00
19	04293167	2							NUT AND WASHER PACKAGE
20	06502294	1							NUT, Hex Flange, M22x1.25
21	06502293	2							WASHER, Flat, M23x43x4
-22	05290248AA	2							SENSOR, Anti-Lock Brakes

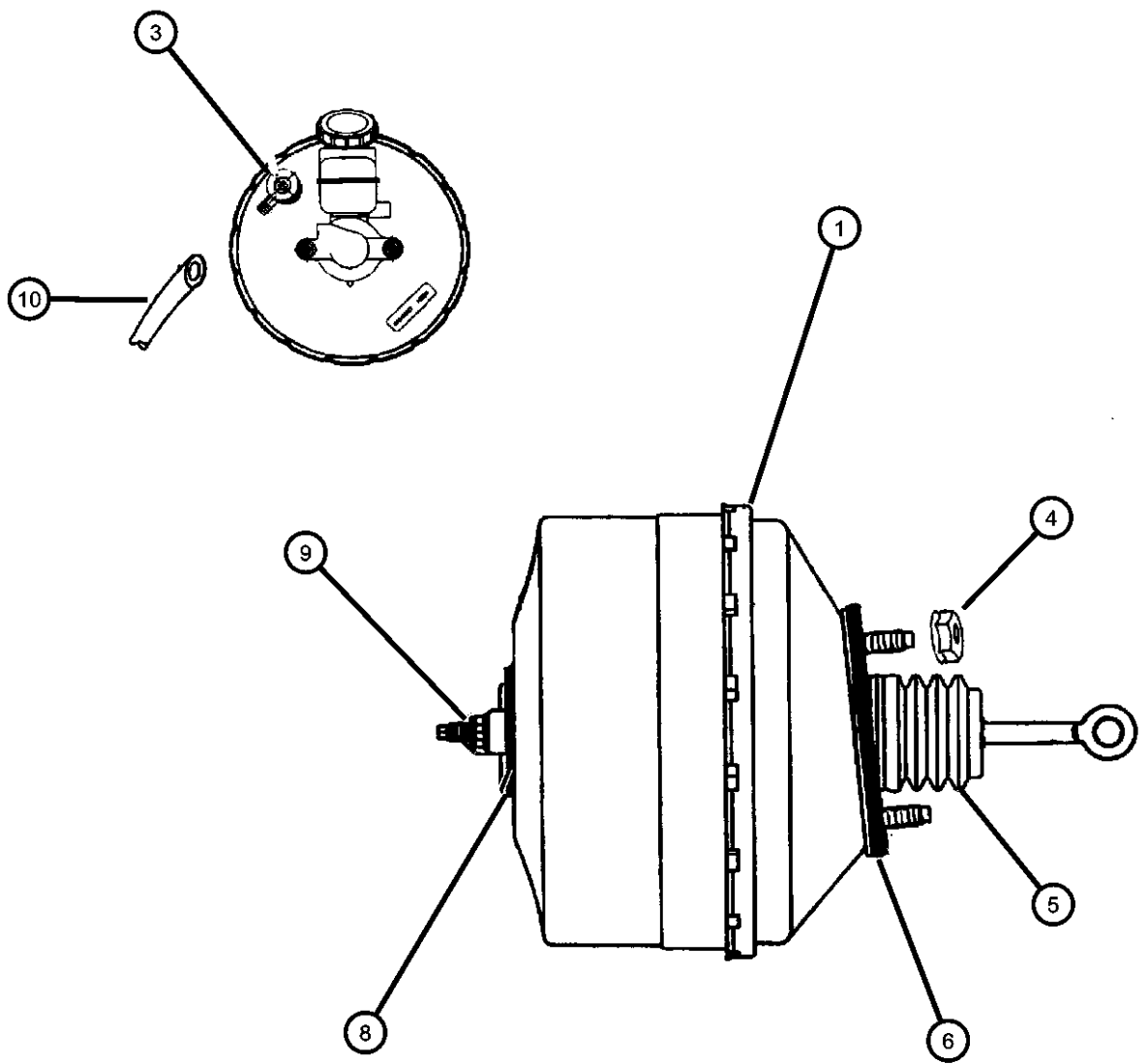
**VIPER (ZB)**

SERIES	LINE	BODY	ENGINE	TRANSMISSION
S = SRT-10	D = DODGE	27 = 2-DR CONVERTIBLE	EWC = Engine - 8.3L V10 SFI	DEC = 6 Speed Manual
X = Coupe		29 = SPECIALTY COUPE		DBB = All Manual Transmissions

AR = use ase required - = Non illustrated part

**Booster, Power Brake  
Figure 5-310**

ITEM	PART NUMBER	QTY	LINE	SERIES	BODY	ENGINE	TRANS	TRIM	DESCRIPTION
1	05093050AA	1							BOOSTER, Power Brake
-2	04883813AA	1							GROMMET, Brake Booster Check Valve
3	04485530	1							CHECK VALVE, Brake Booster
4	J4003909	4							NUT, Hex Flange With Serration Booster To Dash
5	J4003909	4							BOOT, Brake Booster Push Rod, (NOT SERVICED)
6	04723642	1							SEAL, Brake Booster To Dash
-7	04294036	1							CLIP Master Cylinder Push Rod
8	04723395	1							SEAL, Master Cylinder To Booster
9	04723395	1							NUT, Hex Lock, M8x1.25, (NOT SERVICED)
10	05037138AC	1							HOSE, Brake Booster Vacuum
-11	06033369	2							CLAMP, Hose Brake Booster Vacuum Hose



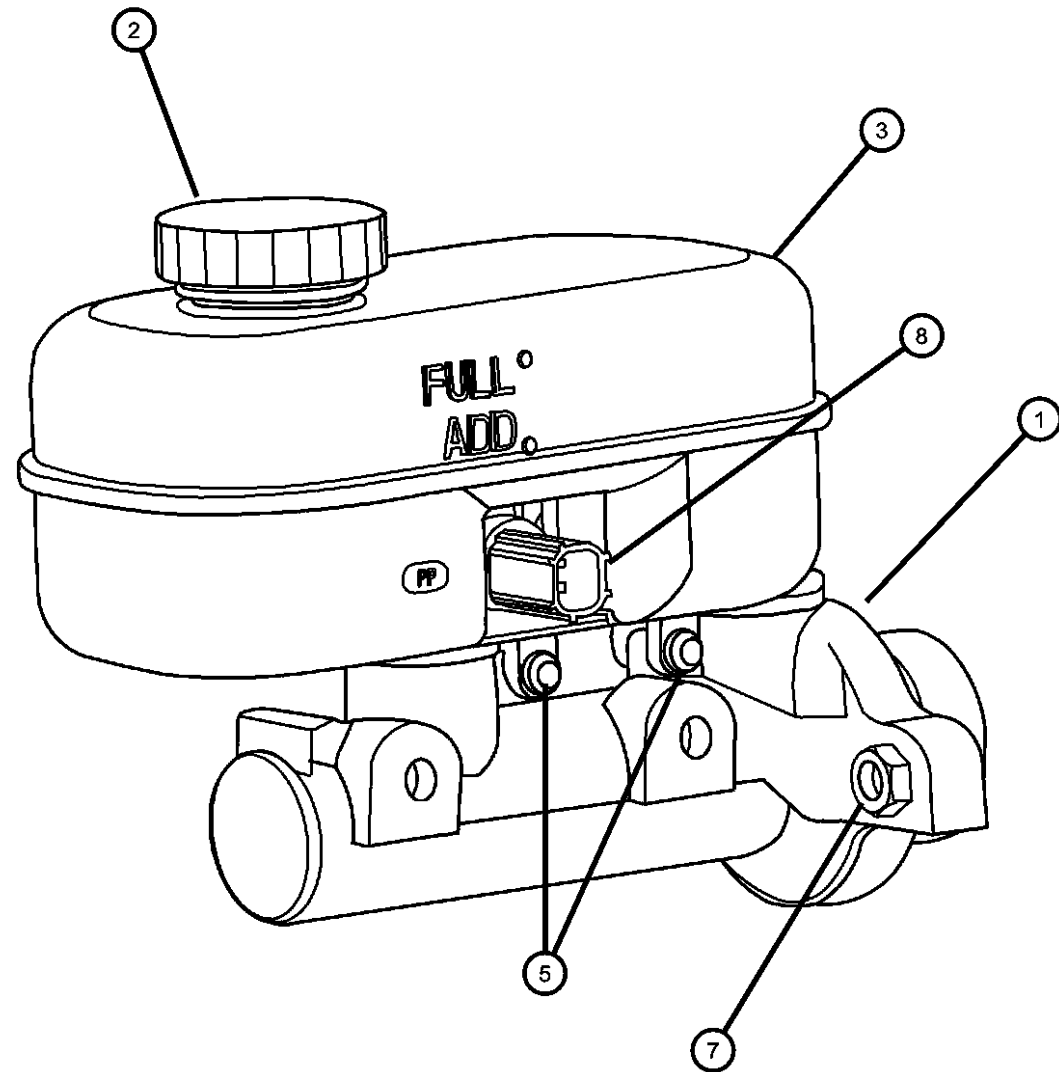
<b>VIPER (ZB)</b>				
SERIES	LINE	BODY	ENGINE	TRANSMISSION
S = SRT-10	D = DODGE	27 = 2-DR CONVERTIBLE	EWC = Engine - 8.3L V10 SFI	DEC = 6 Speed Manual
X = Coupe		29 = SPECIALTY COUPE		DBB = All Manual Transmissions

AR = use ase required - = Non illustrated part



Master Cylinder, Brake  
Figure 5-410

ITEM	PART NUMBER	QTY	LINE	SERIES	BODY	ENGINE	TRANS	TRIM	DESCRIPTION
1	05093049AA V1103049AA	1							MASTER CYLINDER, Brake Mopar Alternative Part - Master Cylinder
2	04683656	1							CAP, Master Cylinder Reservoir
3	05072995AA	1							RESERVOIR, Brake Master Cylinder
-4	04723395	1							SEAL, Master Cylinder To Booster
5	04723394	1							PIN, Master Cylinder Reservoir
-6	04723389	1							GROMMET, Master Cylinder Reservoir
7	04723389	1							NUT, Hex Lock, M8x1.25, (NOT SERVICED)
8	05093251AA	1							SWITCH, Brake Fluid Level



VIPER (ZB)

SERIES

S = SRT-10

X = Coupe

LINE

D = DODGE

BODY

27 = 2-DR CONVERTIBLE

29 = SPECIALTY COUPE

ENGINE

EWC = Engine - 8.3L V10 SFI

TRANSMISSION

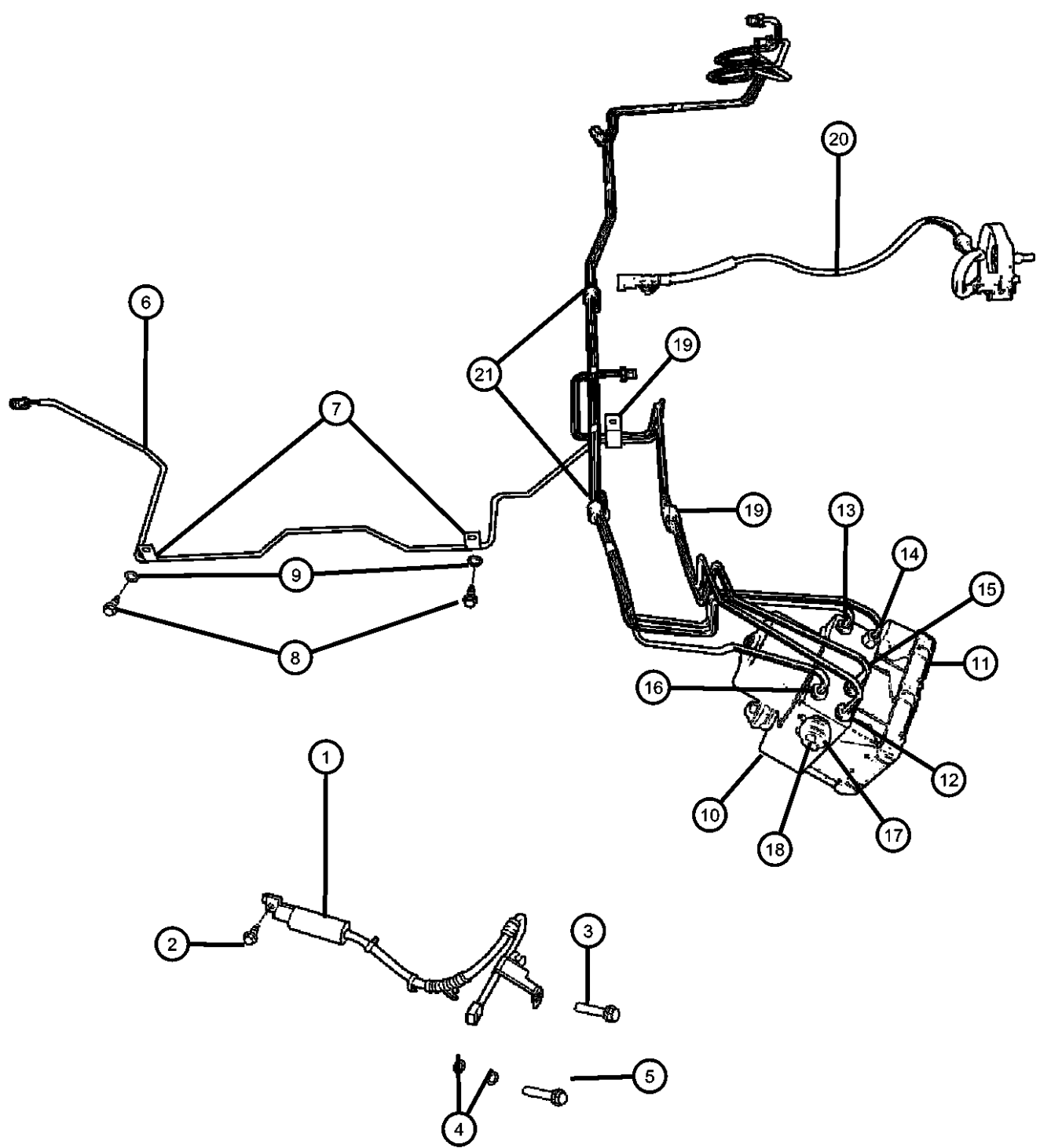
DEC = 6 Speed Manual

DBB = All Manual Transmissions

AR = use ase required - = Non illustrated part

2005 ZB

Lines And Hoses, Front  
Figure 5-510

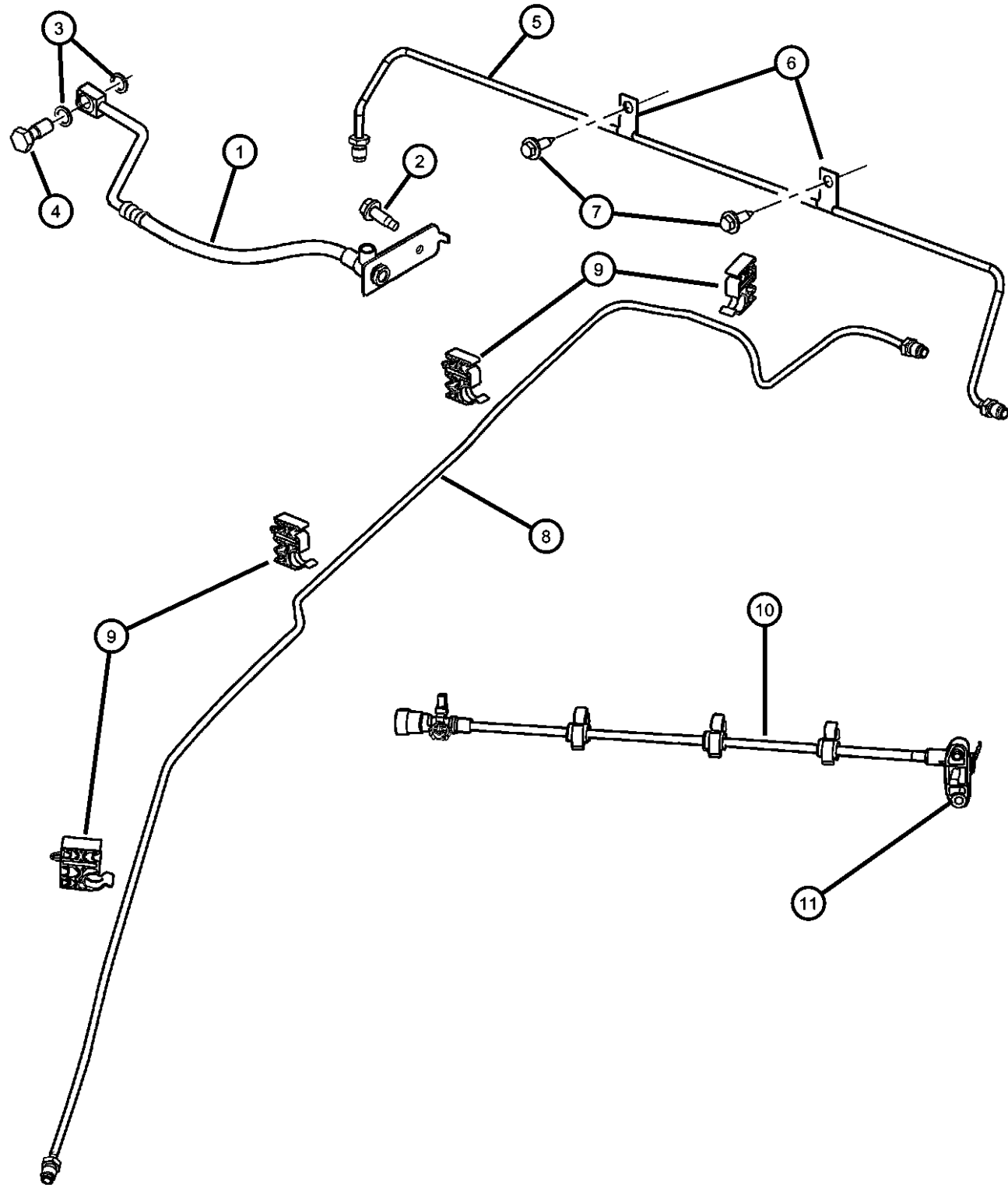


ITEM	PART NUMBER	QTY	LINE	SERIES	BODY	ENGINE	TRANS	TRIM	DESCRIPTION
1									HOSE, Front Wheel Disc Left
	05290043AA	1							Left
	05290044AA	1							Right
2	06100575	2							BOLT AND CONED WASHER, Hex Head, M8x25x17 Brake Hose To Frame
3	06502136	4							BOLT, Hex Flange Head, M10x1.50x55 Brake Line Attaching To Knuckle
4	06502114	8							WASHER, Brake Hose, 4-Front, 4-Rear
5	06505801AA	4							BOLT, Banjo
6	05290080AA	1							TUBE, BrakeRight Front
7	04683653	2							CLIP, TubeRight Front
8	06032824	2							BOLT, Hex Flange Head, .25-14x.625
9	06100876	2							WASHER, Flat, M6.82x17.00x1.75
10	05093035AA	1							HYDRAULIC CONTROL UNIT, Anti-Lock Brake System
11	05066605AA	1							MODULE, Anti-Lock Brake System
12	05290080AA	1							TUBE, BrakeRight Front
13	05290083AA	1							TUBE, Brake, Master Cylinder to ABS
14	05290147AA	1							TUBE, Brake, Rear Brake to Module
15	05290081AA	1							TUBE, BrakeLeft Front
16	05290082AA	1							TUBE, Brake, Master Cylinder to Module
17	06506358AA	3							SCREW, Shoulder, ICU to Bracket
18	05264880AA	3							ISOLATOR, Anti Lock Brake Unit
19	04683556	2							CLIP, TubeFront, Right And Left
20	05290248AA	2							SENSOR, Anti-Lock Brakes
21	05039000AA	2							CLIP, Tube, Brake Line Attaching

VIPER (ZB)  
 SERIES      LINE      BODY      ENGINE      TRANSMISSION  
 S = SRT-10    D = DODGE    27 = 2-DR CONVERTIBLE    EWC = Engine - 8.3L V10 SFI    DEC = 6 Speed Manual  
 X = Coupe           29 = SPECIALTY COUPE                          DBB = All Manual Transmissions

AR = use ase required - = Non illustrated part

Lines and Hoses, Rear  
Figure 5-515



ITEM	PART NUMBER	QTY	LINE	SERIES	BODY	ENGINE	TRANS	TRIM	DESCRIPTION
1	05290112AA	1							HOSE, Brake Right
	05290113AA	1							Left
2	06100575	2							BOLT AND CONED WASHER, Hex Head, M8x25x17 Brake Hose To Frame
3	06502114	8							WASHER, Brake Hose Brake Hose To Caliper
4	06505801AA	4							BOLT, Banjo
5	05290857AA	1							TUBE, Brake
6	04683653	2							CLIP, Tube
7	00154910AA	2							SCREW, Clip Attaching Rear Tube
8	05290103AC	1							TUBE, Brake
9	05085043AA	5							CLIP, Fuel Bundle
10	05290952AA	2							SENSOR, Anti-Lock Brakes
11	06101630	2							SCREW

VIPER (ZB)

SERIES

S = SRT-10

X = Coupe

LINE

D = DODGE

BODY

27 = 2-DR CONVERTIBLE

29 = SPECIALTY COUPE

ENGINE

EWC = Engine - 8.3L V10 SFI

TRANSMISSION

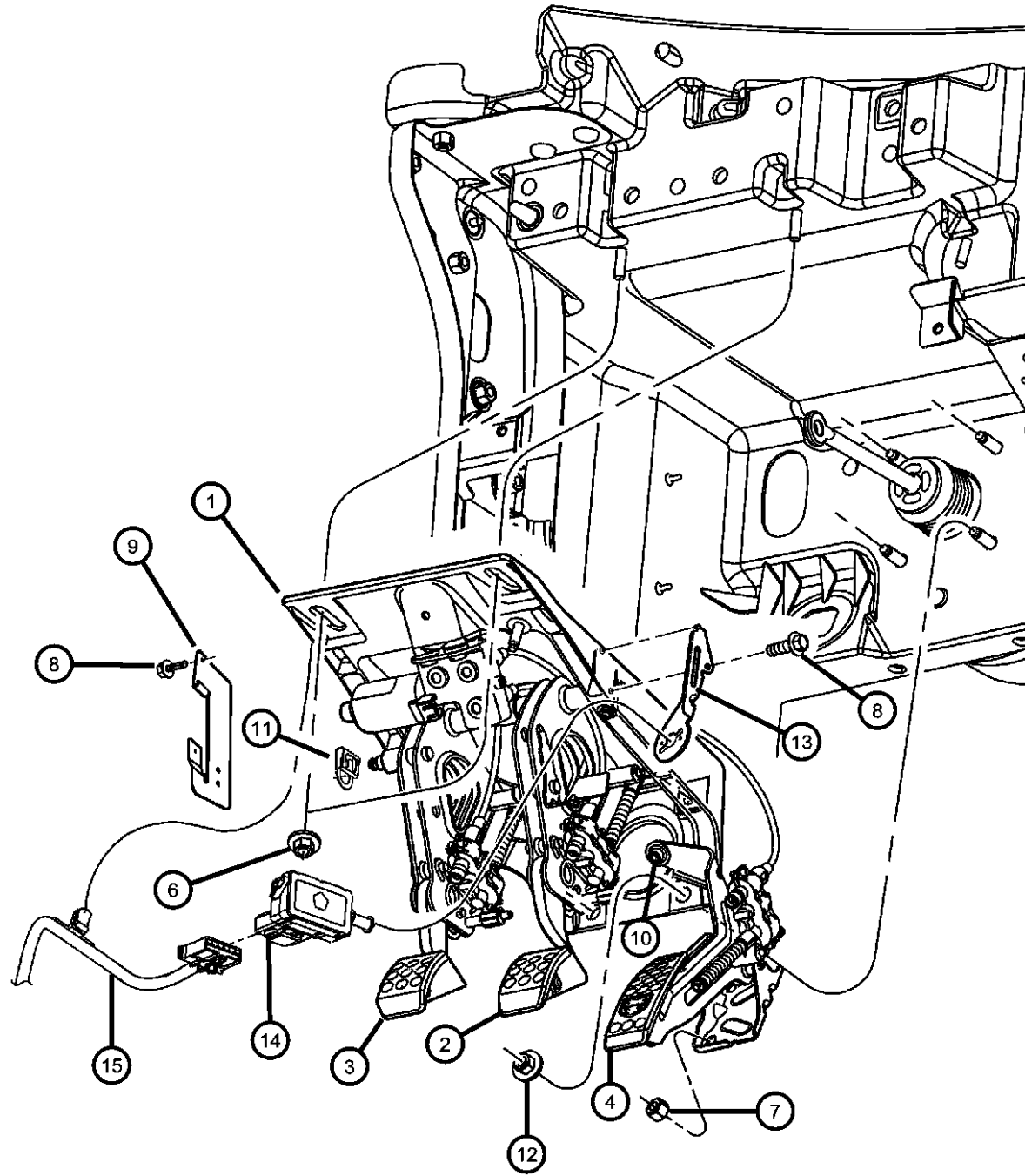
DEC = 6 Speed Manual

DBB = All Manual Transmissions

AR = use ase required - = Non illustrated part

2005 ZB

Pedal, Brake  
Figure 5-610



ITEM	PART NUMBER	QTY	LINE	SERIES	BODY	ENGINE	TRANS	TRIM	DESCRIPTION
1	05290890AE	1							PEDAL, Brake, Clutch, and Accelerator
2	05102045AA	1							PAD, Brake Pedal
3	05102046AA	1							PAD, Clutch Pedal
4	05102047AA	1							PAD, Accelerator Pedal
-5	56042387	1							SWITCH, Electric Pedal Adjust
6	06101446	2							NUT AND WASHER, Pedal Sled to FOD
7	J4003909	4							NUT, Hex Flange With Serration, Pedal Sled to Booster
8	06505300AA	1							SCREW
9	05029211AC	1							BRACKET, Wiring Harness
10	04306150	1							ISOLATOR, Throttle Cable
11	04294036	1							CLIPMaster Cylinder Push Rod
12	06101447	2							NUT AND WASHER, M6x1.00Accelerator Pedal Mounting
13	05029206AB	1							BRACKET, Stop Lamp Switch
14	05083344AA	1							SWITCH PACKAGE, Stop Lamp
15	05083344AA	1							WIRING, Instrument Panel, See Electrical Group 008, (NOT SERVICED)

VIPER (ZB)

SERIES

S = SRT-10

X = Coupe

LINE

D = DODGE

BODY

27 = 2-DR CONVERTIBLE

29 = SPECIALTY COUPE

ENGINE

EWC = Engine - 8.3L V10 SFI

TRANSMISSION

DEC = 6 Speed Manual

DBB = All Manual Transmissions

AR = use ase required - = Non illustrated part

2005 ZB

# Group - 6

## Clutch

### Group - 6 Clutch

Illustration Title

Group-Fig. No.

#### Clutch

Clutch ..... Fig. 6 - 110

#### Clutch Housing

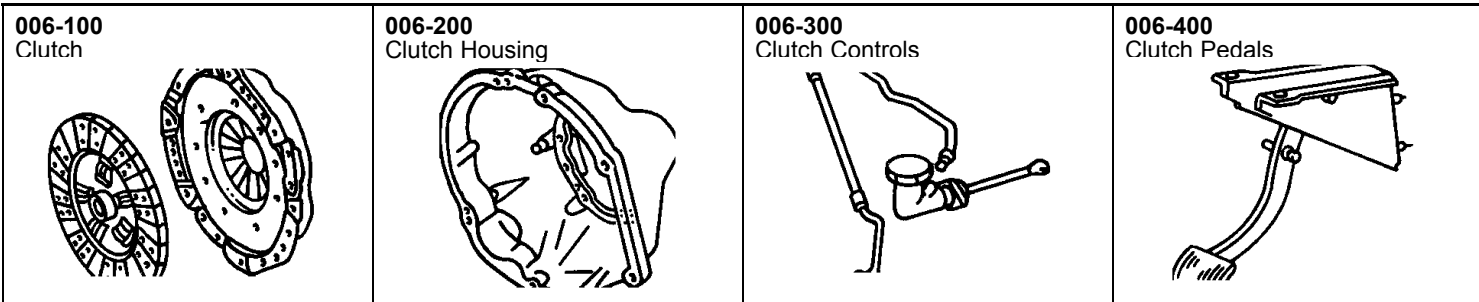
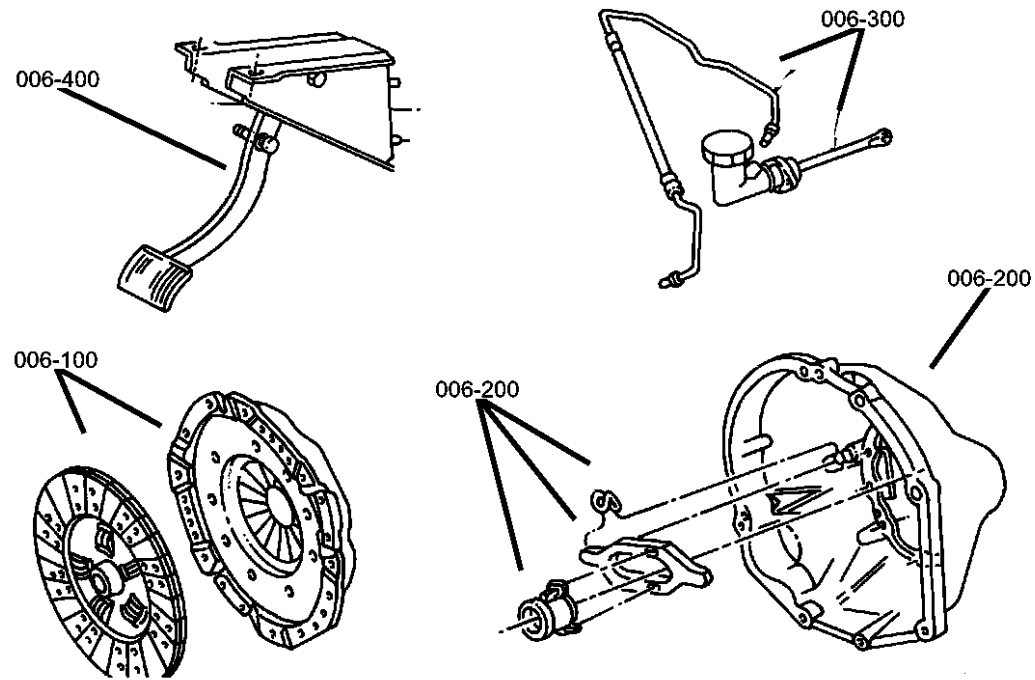
Cylinder Assembly, Clutch Housing & Concentric Slave ..... Fig. 6 - 210

#### Clutch Controls

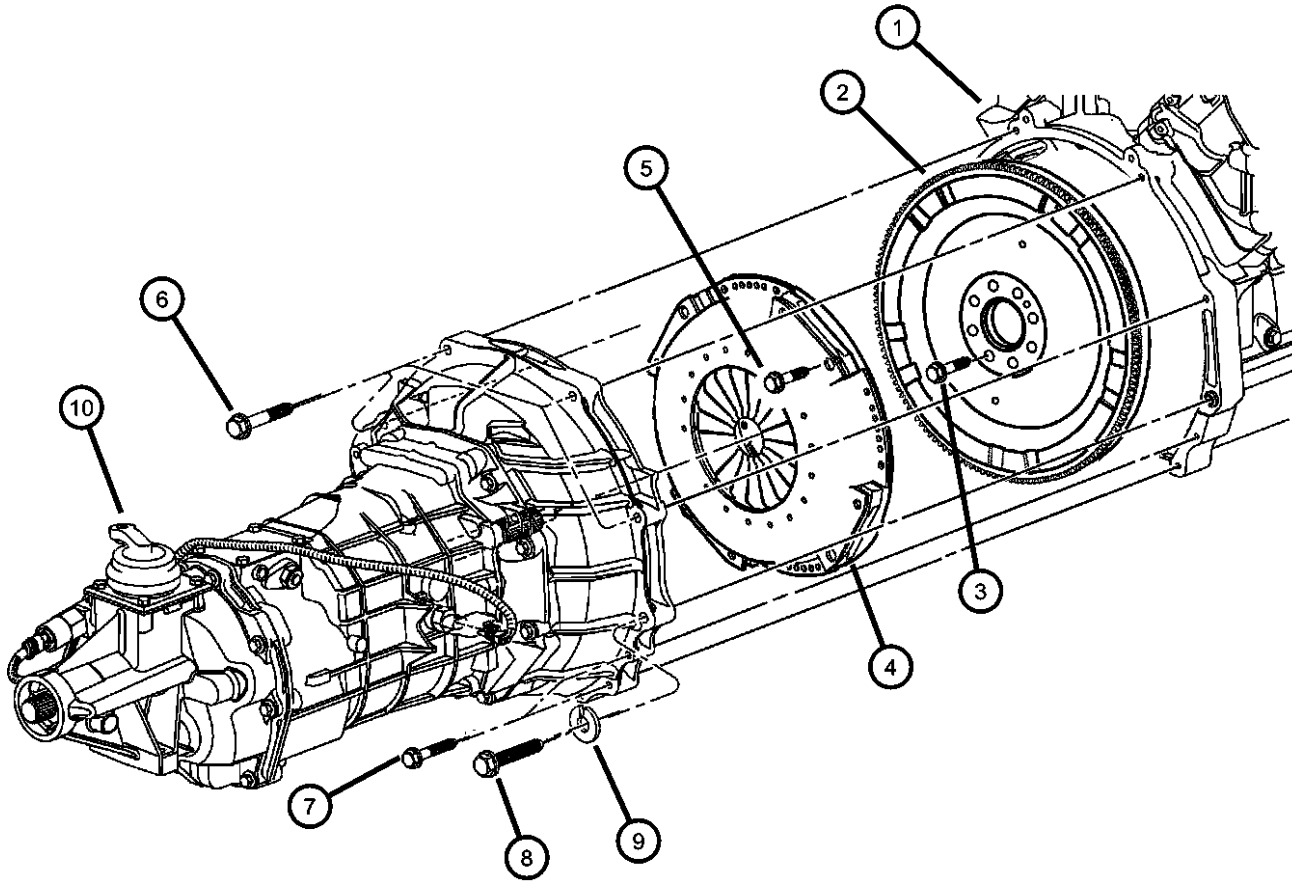
Clutch Actuation System..... Fig. 6 - 310

#### Clutch Pedals

Clutch Pedal ..... Fig. 6 - 410



**Clutch**  
**Figure 6-110**



ITEM	PART NUMBER	QTY	LINE	SERIES	BODY	ENGINE	TRANS	TRIM	DESCRIPTION
------	-------------	-----	------	--------	------	--------	-------	------	-------------

NOTE:  
Sales Codes:  
[EWC]=8.3L V-10 Engine

1	05083344AA	1							ENGINE, Complete, See Engine Group, (NOT SERVICED)
2	05037226AC	1				EWC			FLYWHEEL
3	06035811	8				EWC			BOLT, Hex Head, .437-20x1.50
4	04848708AC	1				EWC			PLATE, Clutch Pressure, Includes Clutch Disc
5	06036611AA	8				EWC			BOLT, Clutch Assembly To Flywheel
6	06035470	4							SCREW, Transmission To Block - Top Only
7	00154927AA	4							SCREW, Transmission To Block
8	06036621AA	2							SCREW, Hex Head, .437-14x2.75, Transmission To Engine Dowels
9	09417838	2							WASHER, Flat
10	09417838	2							TRANSMISSION, 6 speed, See Transmission Group, (NOT SERVICED)

**VIPER (ZB)**

SERIES	LINE	BODY	ENGINE	TRANSMISSION
S = SRT-10	D = DODGE	27 = 2-DR CONVERTIBLE	EWC = Engine - 8.3L V10 SFI	DEC = 6 Speed Manual
X = Coupe		29 = SPECIALTY COUPE		DBB = All Manual Transmissions

AR = use ase required - = Non illustrated part

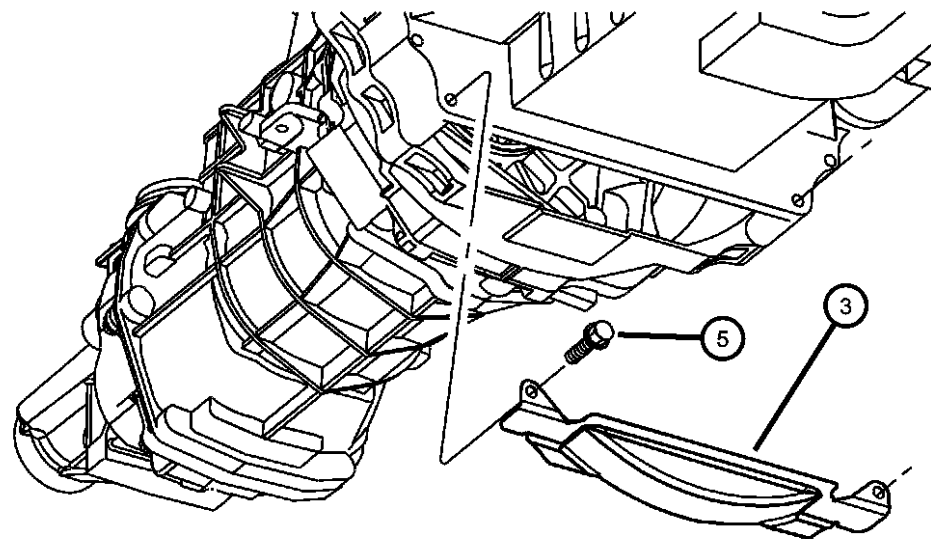
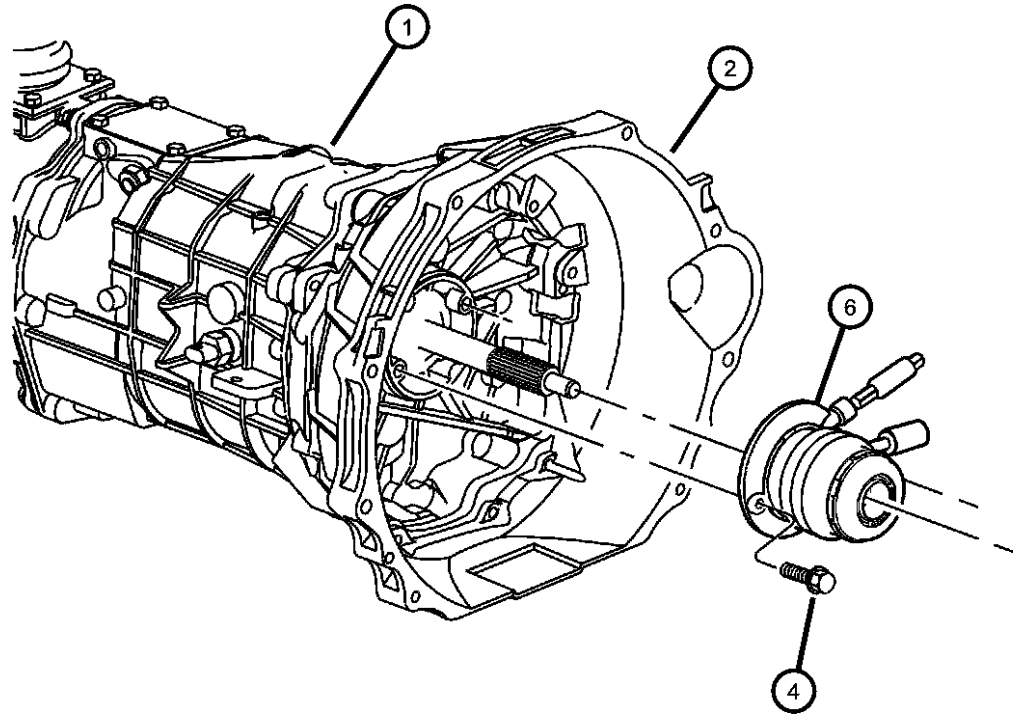
2005 ZB

**Cylinder Assembly, Clutch Housing & Concentric Slave**  
**Figure 6-210**

ITEM	PART NUMBER	QTY	LINE	SERIES	BODY	ENGINE	TRANS	TRIM	DESCRIPTION
------	-------------	-----	------	--------	------	--------	-------	------	-------------

NOTE:  
 Sales Code:  
 [DEC]=6 Speed Manual Transmission

1	09417838	2							TRANSMISSION, See Transmission Group, (NOT SERVICED)
2	05093034AA	1					DEC		HOUSING, Clutch
3	05037330AD	1							COVER, Transmission Dust
4	06100296	2							BOLT, Hex Head
5	06035666	2							SCREW, Hex Flange Head, .25-20x1.00
6	05037357AA	1							CYLINDER, Clutch Slave



**VIPER (ZB)**

SERIES	LINE	BODY	ENGINE	TRANSMISSION
S = SRT-10	D = DODGE	27 = 2-DR CONVERTIBLE	EWC = Engine - 8.3L V10 SFI	DEC = 6 Speed Manual
X = Coupe		29 = SPECIALTY COUPE		DBB = All Manual Transmissions

AR = use ase required - = Non illustrated part

2005 ZB

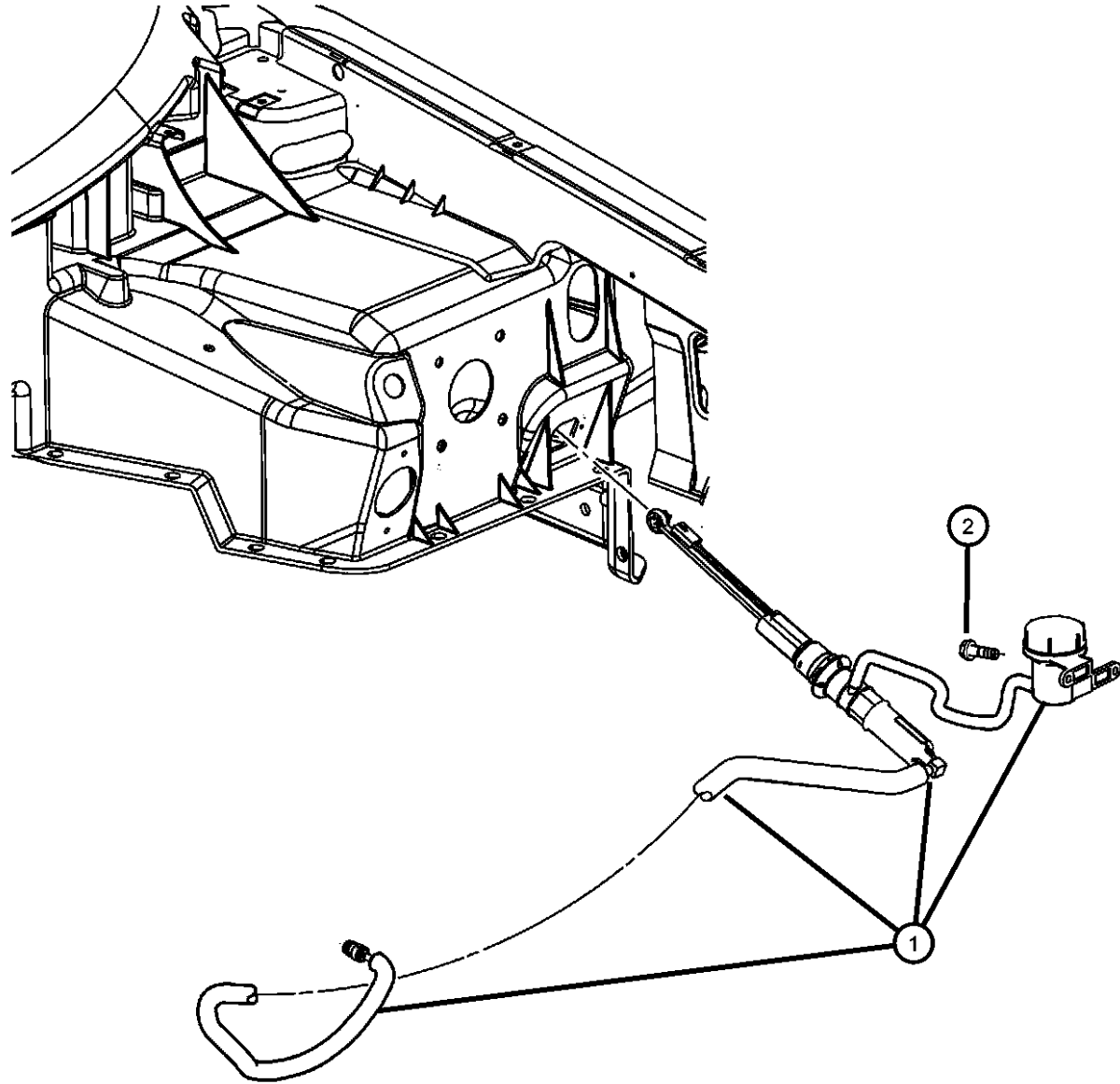
**Clutch Actuation System  
Figure 6-310**

ITEM	PART NUMBER	QTY	LINE	SERIES	BODY	ENGINE	TRANS	TRIM	DESCRIPTION
------	-------------	-----	------	--------	------	--------	-------	------	-------------

NOTE: Clutch Interlock Switch Serviced With Hydraulic Actuator

1	04642666AD	1							
2	06101650	2							

ACTUATOR, Hydraulic Clutch,  
Clutch Interlock Switch Serviced  
With Hydraulic Actuator  
SCREW AND WASHER,  
M5X.80X20.00



**VIPER (ZB)**

SERIES  
S = SRT-10  
X = Coupe

LINE  
D = DODGE

BODY  
27 = 2-DR CONVERTIBLE  
29 = SPECIALTY COUPE

ENGINE  
EWC = Engine - 8.3L V10 SFI

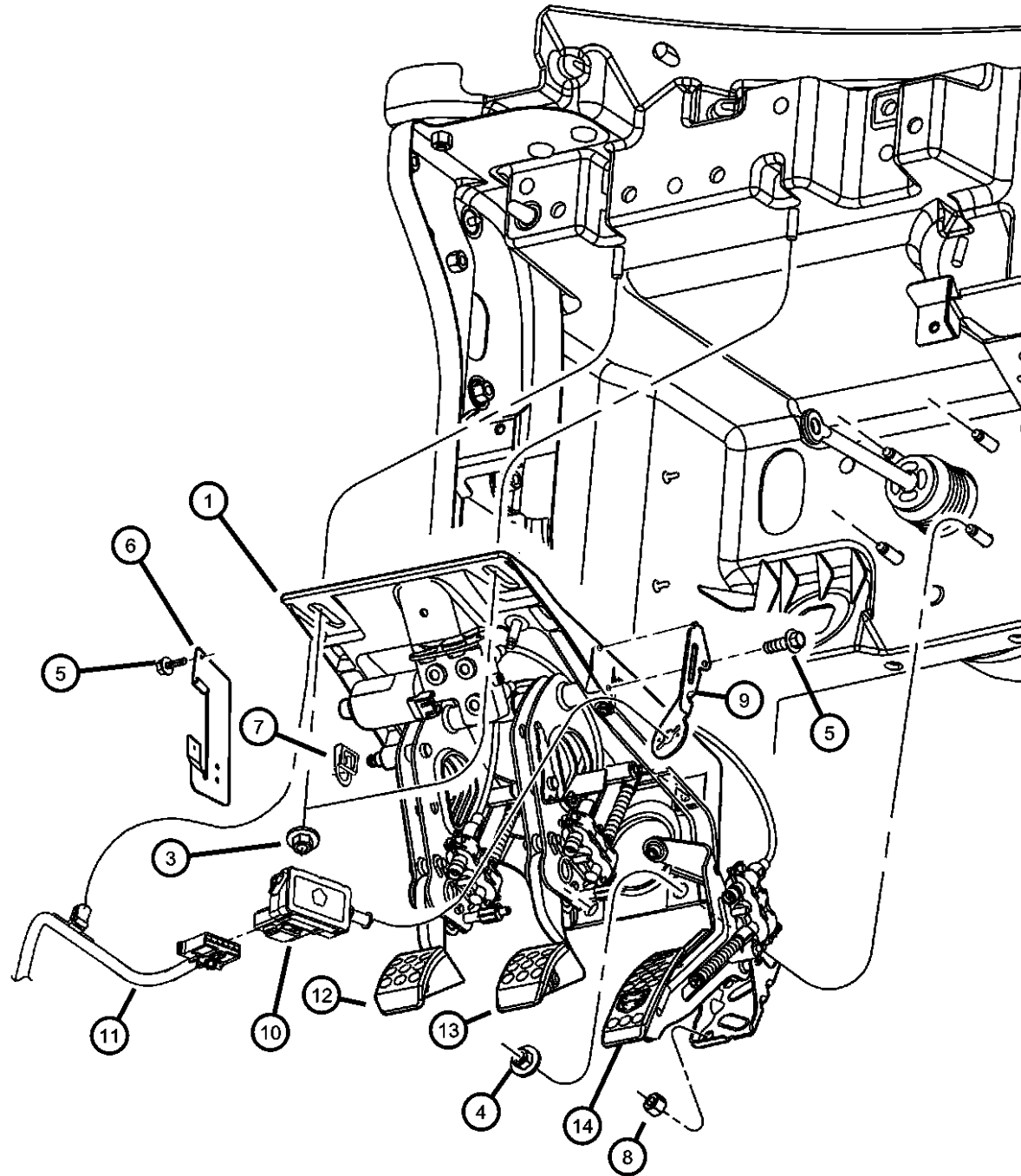
TRANSMISSION  
DEC = 6 Speed Manual  
DBB = All Manual Transmissions

AR = use ase required - = Non illustrated part

2005 ZB



**Clutch Pedal  
Figure 6-410**



ITEM	PART NUMBER	QTY	LINE	SERIES	BODY	ENGINE	TRANS	TRIM	DESCRIPTION
1	05290890AE	1							PEDAL, Brake, Clutch, and Accelerator
-2	56042387	1							SWITCH, Electrical Pedal Adjust
3	06101446	1							NUT AND WASHER
4	J4003909	4							NUT, Hex Flange With Serration
5	J4003909	4							SCREW, [M5X0.8X10.00], (NOT SERVICED)
6	05029211AC	1							BRACKET, Wiring Harness, After [08/11/03]
7	04294036	1							CLIP
8	06101447	2							NUT
9	05029206AB	1							BRACKET, Stop Lamp Switch
10	05083344AA	1							SWITCH PACKAGE, Stop Lamp
11	05083344AA	1							WIRING, Instrument Panel, See Electrical Group, (NOT SERVICED)
12	05102046AA	1							PAD, Clutch Pedal
13	05102045AA	1							PAD, Brake Pedal
14	05102047AA	1							PAD, Accelerator Pedal

**VIPER (ZB)**

SERIES  
S = SRT-10  
X = Coupe

LINE  
D = DODGE

BODY  
27 = 2-DR CONVERTIBLE  
29 = SPECIALTY COUPE

ENGINE  
EWC = Engine - 8.3L V10 SFI

TRANSMISSION  
DEC = 6 Speed Manual  
DBB = All Manual Transmissions

AR = use ase required - = Non illustrated part

2005 ZB

# Group - 7

## Cooling

### Group - 7 Cooling

Group-Fig. No.

Illustration Title

#### Radiator and Related Parts

Radiator and Related Parts ..... Fig. 7 - 110  
 Radiator Air Baffles ..... Fig. 7 - 120

#### Water Pump and Related Parts

Water Pump and Related Parts ..... Fig. 7 - 210

#### Tank, Coolant Engine

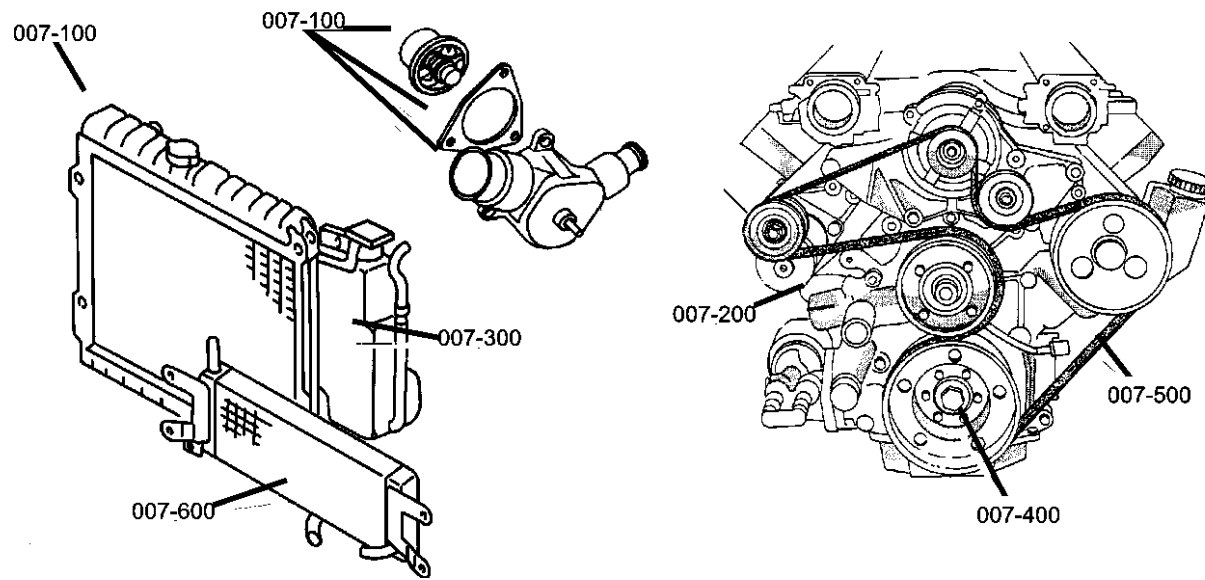
Coolant Reserve and Pressurized Coolant Tank ..... Fig. 7 - 310

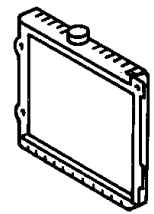
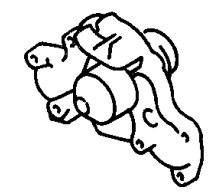
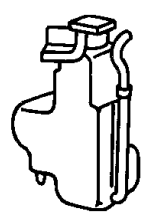

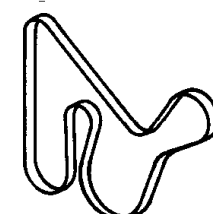
#### Pulleys and Related Parts

Pulleys, Drive ..... Fig. 7 - 410

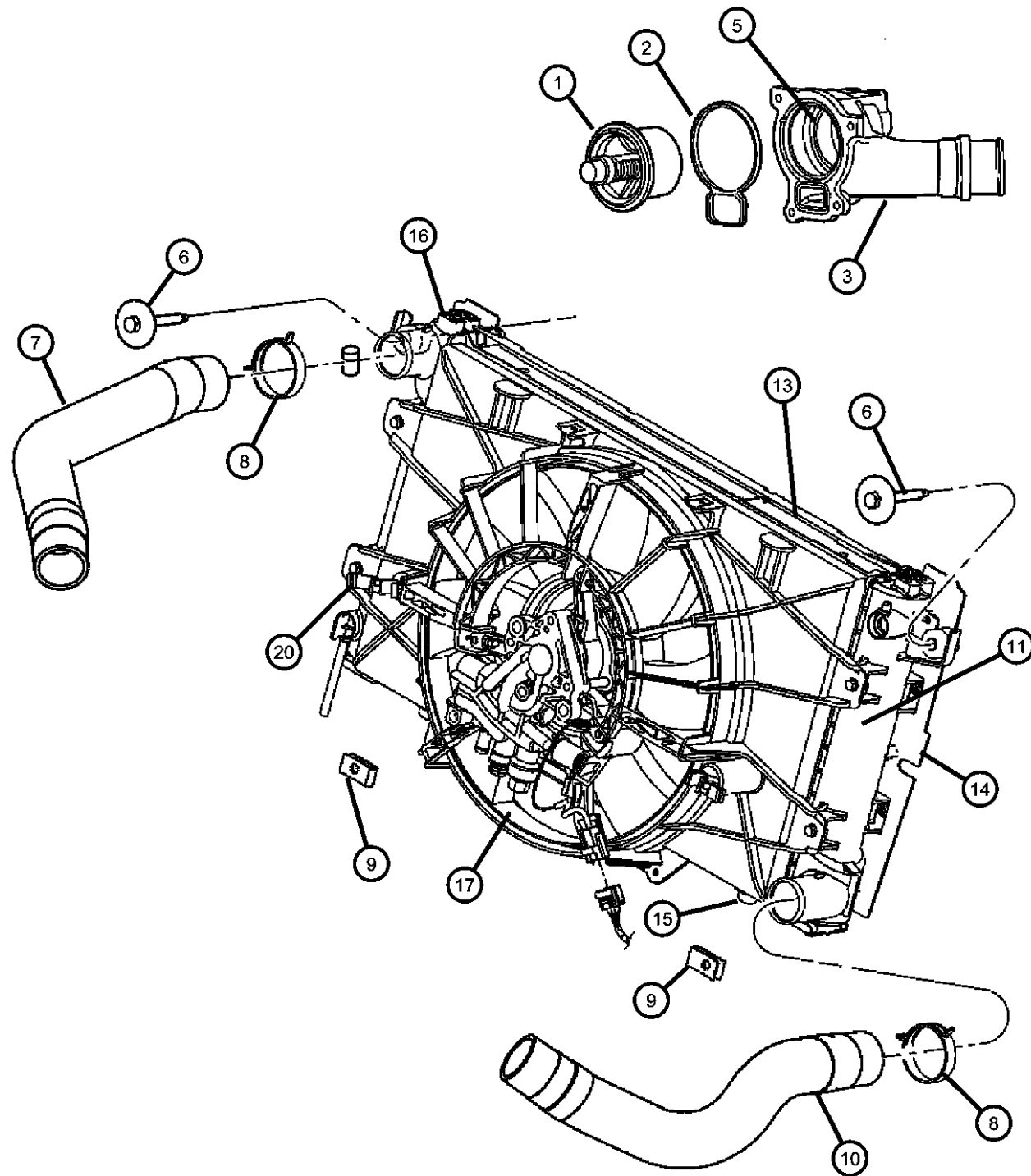
#### Drive Belts

Belts, Drive ..... Fig. 7 - 510



<p><b>007-100</b> Radiator and Related Parts</p> 	<p><b>007-200</b> Water Pump and Related Parts</p> 	<p><b>007-300</b> Tank, Coolant Engine</p> 	<p><b>007-400</b> Pulleys and Related Parts</p> 
<p><b>007-500</b> Drive Belts</p> 			

**Radiator and Related Parts  
Figure 7-110**



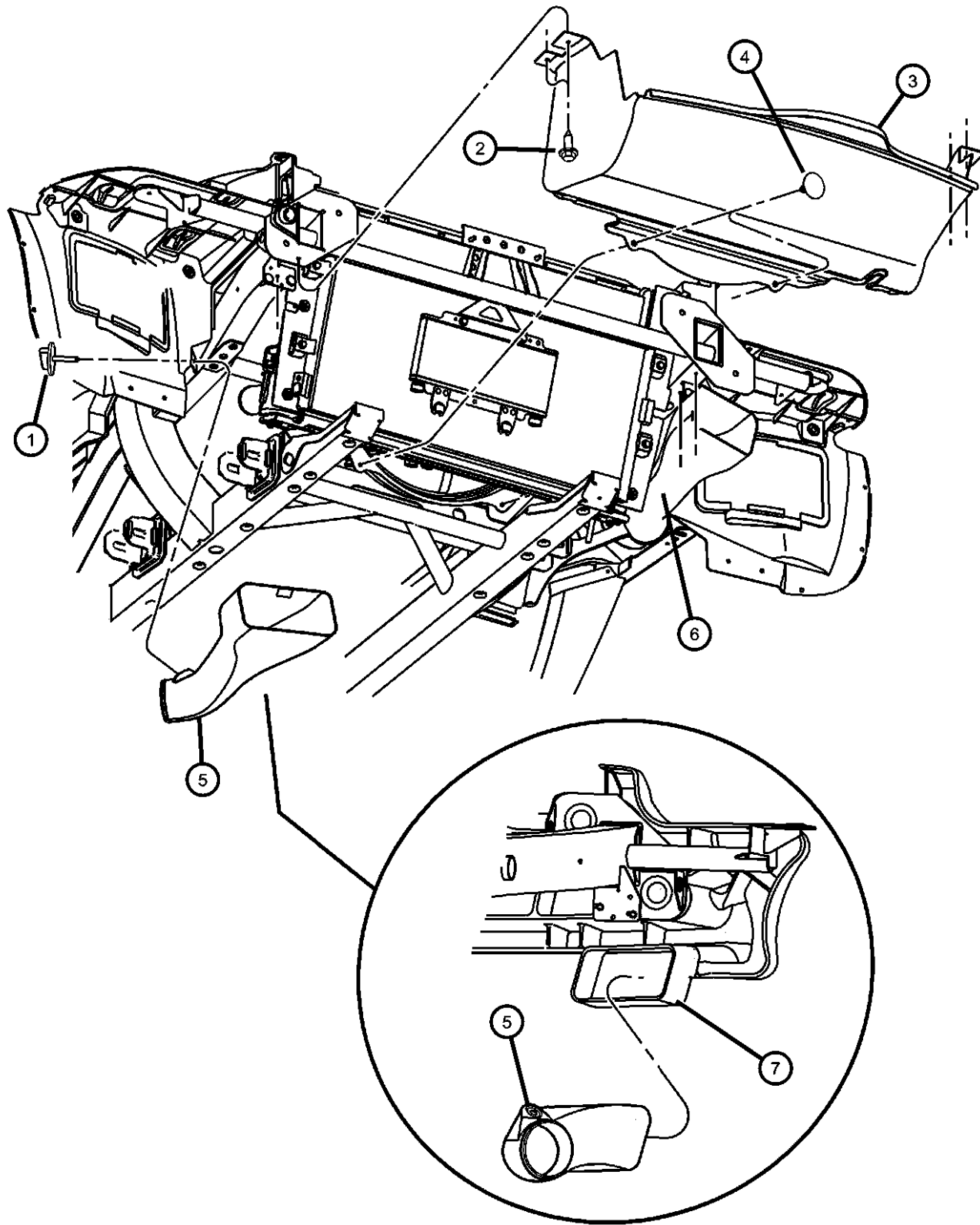
ITEM	PART NUMBER	QTY	LINE	SERIES	BODY	ENGINE	TRANS	TRIM	DESCRIPTION
NOTE: Sales Codes: [EWC] = 8.3L V10 SFI									
1	05037344AA	1				EWC			THERMOSTAT, 185 Degrees
2	05037173AA	1				EWC			GASKET, Thermostat
3	05037174AD	1				EWC			HOUSING, Thermostat
-4	06035666	4				EWC			SCREW, Hex Flange Head, .25-20x1.00, Housing to Block
5	05245236	1				EWC			SEAL, Thermostsat By Pass
6	06508012AA	2							BOLT
7	05264985AA	1							HOSE, Radiator Inlet
8	52006750	2							CLAMP, Radiator
9	06101308	2							NUT, U, M6x1.00
10	05264986AB	1							HOSE, Radiator Outlet
11	05264994AC	1							RADIATOR, Engine Cooling
-12	52029087AA	1							DRAINCOCK, Radiator
13	05290670AB	1							SEAL, Radiator Upper
14	05290670AB	1							SEAL, Radiator Side, Serviced with Radiator, (NOT SERVICED)
15	04809071	2							ISOLATOR, Radiator, Lower
16	52027827	2							ISOLATOR, Radiator, Upper
17	05290099AD	1							FAN MODULE, Radiator Cooling
-18	00153355	2							U-NUT, .25-20
-19	06504118	8							U-NUT, M6 x 1.00, M6x1.00, Air Cleaner to Shroud
20	52079929AB	1							CLIP, Line

**VIPER (ZB)**

SERIES	LINE	BODY	ENGINE	TRANSMISSION
S = SRT-10	D = DODGE	27 = 2-DR CONVERTIBLE	EWC = Engine - 8.3L V10 SFI	DEC = 6 Speed Manual
X = Coupe		29 = SPECIALTY COUPE		DBB = All Manual Transmissions

AR = use ase required - = Non illustrated part

**Radiator Air Baffles**  
Figure 7-120



ITEM	PART NUMBER	QTY	LINE	SERIES	BODY	ENGINE	TRANS	TRIM	DESCRIPTION
1	04708180	2							SCREW, Splash Shield
2	06506504AA	4							SCREW TAPPING & WASHER, Hex Head, Type AB Flat Washer
3	05290668AB	1							BAFFLE, Radiator Air
4	06501067	2							PIN, Push, M6.3x20.5
5	05264984AA	1							DUCT, Air, Brake Cooling - Rt.
6	05264983AA	1							DUCT, Air, Brake Cooling - Lt.
7									FASCIA, Front, Primed
	05029154AB	1							
	05170037AA	1							EXPORT

**VIPER (ZB)**

SERIES  
S = SRT-10  
X = Coupe

LINE  
D = DODGE

BODY  
27 = 2-DR CONVERTIBLE  
29 = SPECIALTY COUPE

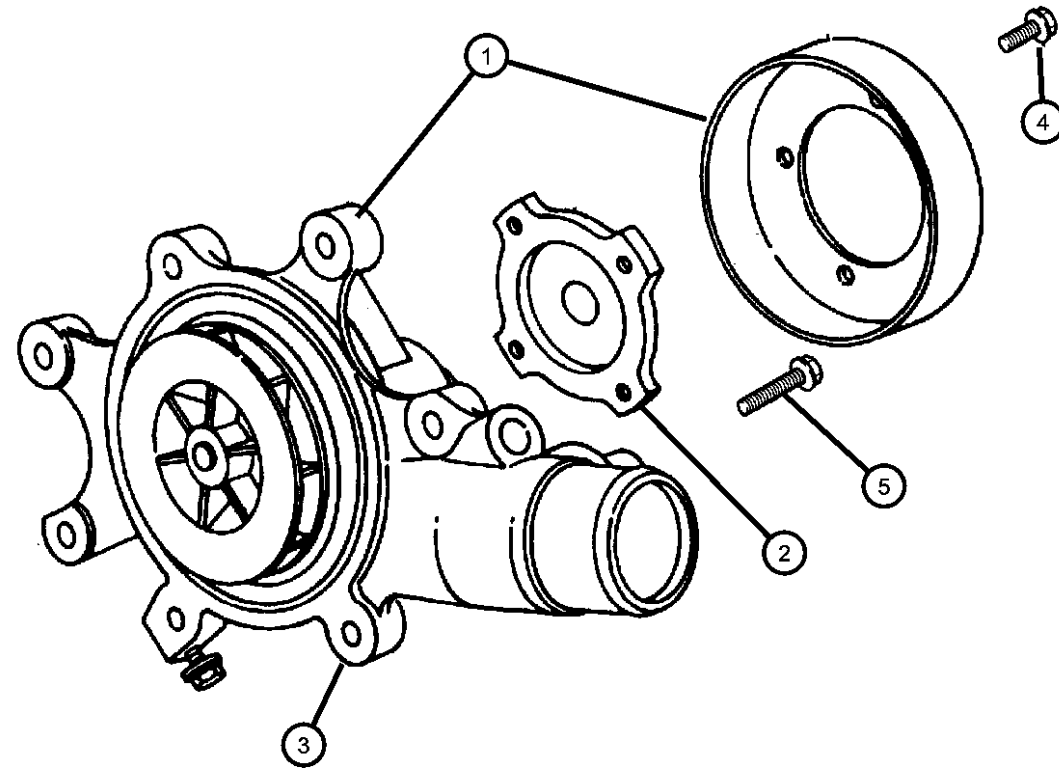
ENGINE  
EWC = Engine - 8.3L V10 SFI

TRANSMISSION  
DEC = 6 Speed Manual  
DBB = All Manual Transmissions

AR = use ase required - = Non illustrated part

2005 ZB

**Water Pump and Related Parts  
Figure 7-210**



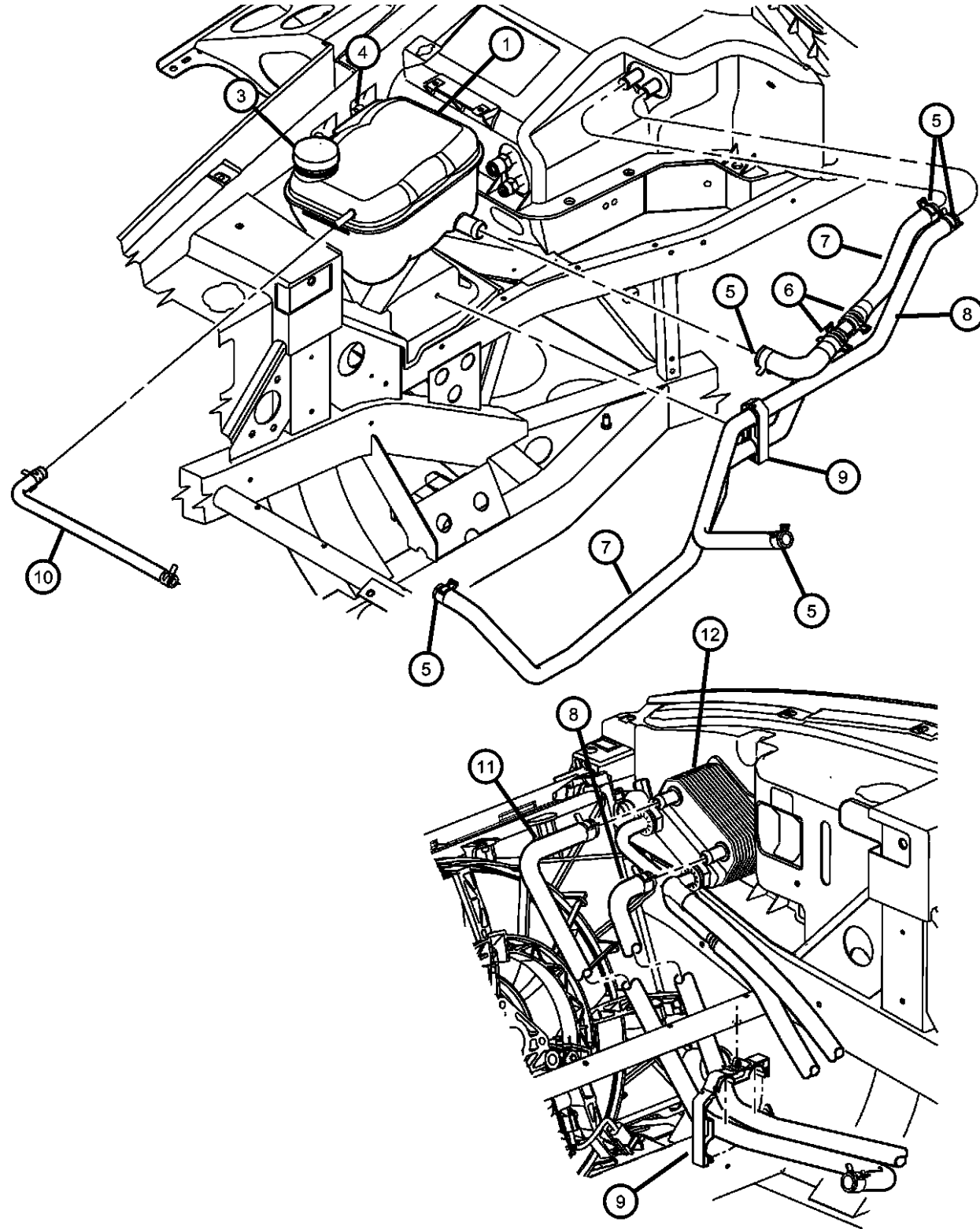
ITEM	PART NUMBER	QTY	LINE	SERIES	BODY	ENGINE	TRANS	TRIM	DESCRIPTION
NOTE: Sales Codes: [EWC] = 8.3L V10 SFI									
1	05037164AC	1				EWC			PUMP, Water, With Pulley
2	05037164AC	1							HUB, Water Pump Pulley, (NOT SERVICED)
3	05037171AB	1				EWC			GASKET, Water Pump
4	06034530	6				EWC			SCREW, Hex Head, .312-18x.75
5	06035558	1				EWC			SCREW, Hex Flange Head, .375-16x1.50

**VIPER (ZB)**

SERIES	LINE	BODY	ENGINE	TRANSMISSION
S = SRT-10	D = DODGE	27 = 2-DR CONVERTIBLE	EWC = Engine - 8.3L V10 SFI	DEC = 6 Speed Manual
X = Coupe		29 = SPECIALTY COUPE		DBB = All Manual Transmissions

AR = use ase required - = Non illustrated part

**Coolant Reserve and Pressurized Coolant Tank  
Figure 7-310**



ITEM	PART NUMBER	QTY	LINE	SERIES	BODY	ENGINE	TRANS	TRIM	DESCRIPTION
------	-------------	-----	------	--------	------	--------	-------	------	-------------

NOTE: Sales Codes:  
[EWC] = 8.3L V10 SFI

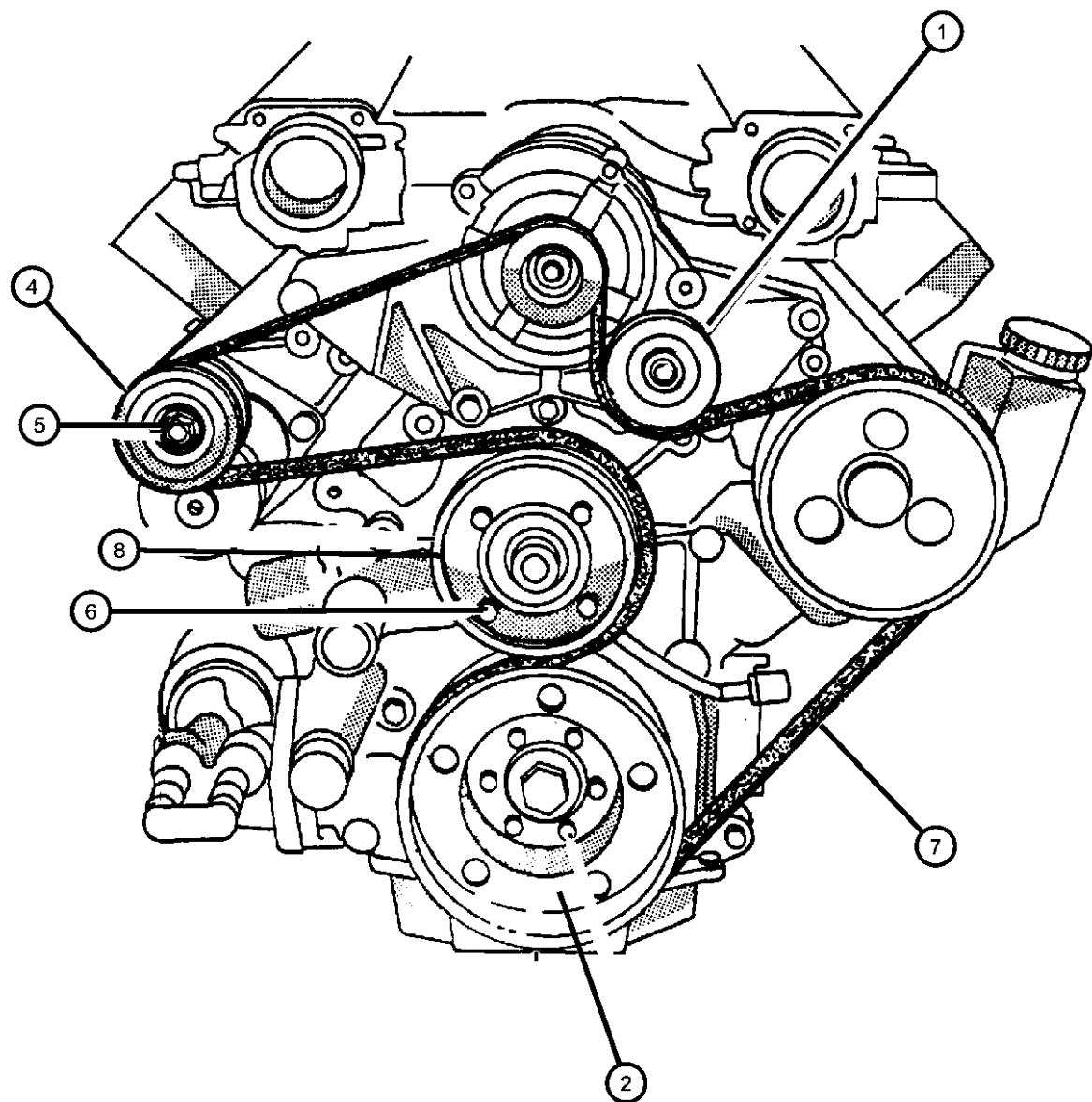
1	05043002AA	1							BOTTLE, Pressurized Coolant
-2	04266423	1							HOSE, Overflow, Roll Stock
3	04596198	1							CAP, Coolant Recovery Bottle
4	06507008AA	3							SCREW AND WASHER, Truss Head, M6x1x30
5	06503422	2							CLAMP, Supply Hose, 26 mm Diameter
6	06502018	2				EWC			CLAMP, Hose, M28.9 x 1.60
7	05037987AD	1							HOSE, Heater Return
8	05264929AC	1							HOSE, Heater Supply
9	05290217AA	1							CLIP, Heater Hose
10	05264931AB	1							HOSE, Coolant Bottle Inlet
11	05290218AC	1							HOSE, Oil Cooler Return
12	05290014AD	1							COOLER, Engine Oil

**VIPER (ZB)**

SERIES	LINE	BODY	ENGINE	TRANSMISSION
S = SRT-10	D = DODGE	27 = 2-DR CONVERTIBLE	EWC = Engine - 8.3L V10 SFI	DEC = 6 Speed Manual
X = Coupe		29 = SPECIALTY COUPE		DBB = All Manual Transmissions

AR = use ase required - = Non illustrated part

Pulleys, Drive  
Figure 7-410



ITEM	PART NUMBER	QTY	LINE	SERIES	BODY	ENGINE	TRANS	TRIM	DESCRIPTION
------	-------------	-----	------	--------	------	--------	-------	------	-------------

NOTE: Sales Codes:  
[EWC] = 8.3L V10 SFI

1	04792581AB	1				EWC			PULLEY, Idler
2	05037204AA	1				EWC			PULLEY, Crankshaft
-3	33002201	1				EWC			BUSHING, Idler Pulley
4	05086500AA	1				EWC			TENSIONER PACKAGE, Belt
5	06502135	1				EWC			NUT, Hex Flange, M10x1.5
6	06034530	6				EWC			SCREW, Hex Head, .312-18x.75
7	05037206AD	1				EWC			BELT, Accessory Drive
8	05037164AC	1				EWC			PUMP, Water

<b>VIPER (ZB)</b>				
SERIES	LINE	BODY	ENGINE	TRANSMISSION
S = SRT-10	D = DODGE	27 = 2-DR CONVERTIBLE	EWC = Engine - 8.3L V10 SFI	DEC = 6 Speed Manual
X = Coupe		29 = SPECIALTY COUPE		DBB = All Manual Transmissions

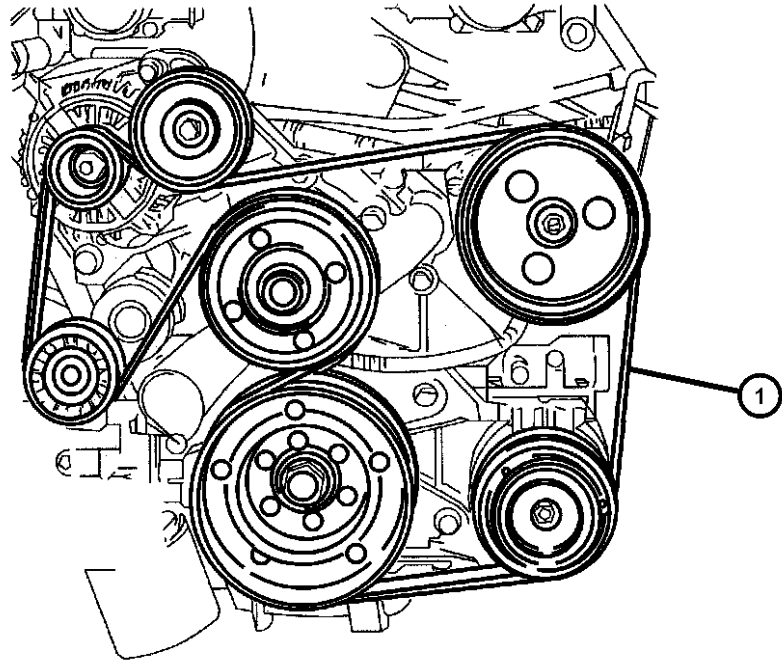
AR = use ase required - = Non illustrated part

**Belts, Drive  
Figure 7-510**

ITEM	PART NUMBER	QTY	LINE	SERIES	BODY	ENGINE	TRANS	TRIM	DESCRIPTION
------	-------------	-----	------	--------	------	--------	-------	------	-------------

NOTE: Sales Codes:  
[EWC] = 8.3L V10 SFI

1	05037206AD	1				EWC			BELT, Accessory Drive
---	------------	---	--	--	--	-----	--	--	-----------------------



**VIPER (ZB)**

SERIES	LINE	BODY	ENGINE	TRANSMISSION
S = SRT-10	D = DODGE	27 = 2-DR CONVERTIBLE	EWC = Engine - 8.3L V10 SFI	DEC = 6 Speed Manual
X = Coupe		29 = SPECIALTY COUPE		DBB = All Manual Transmissions

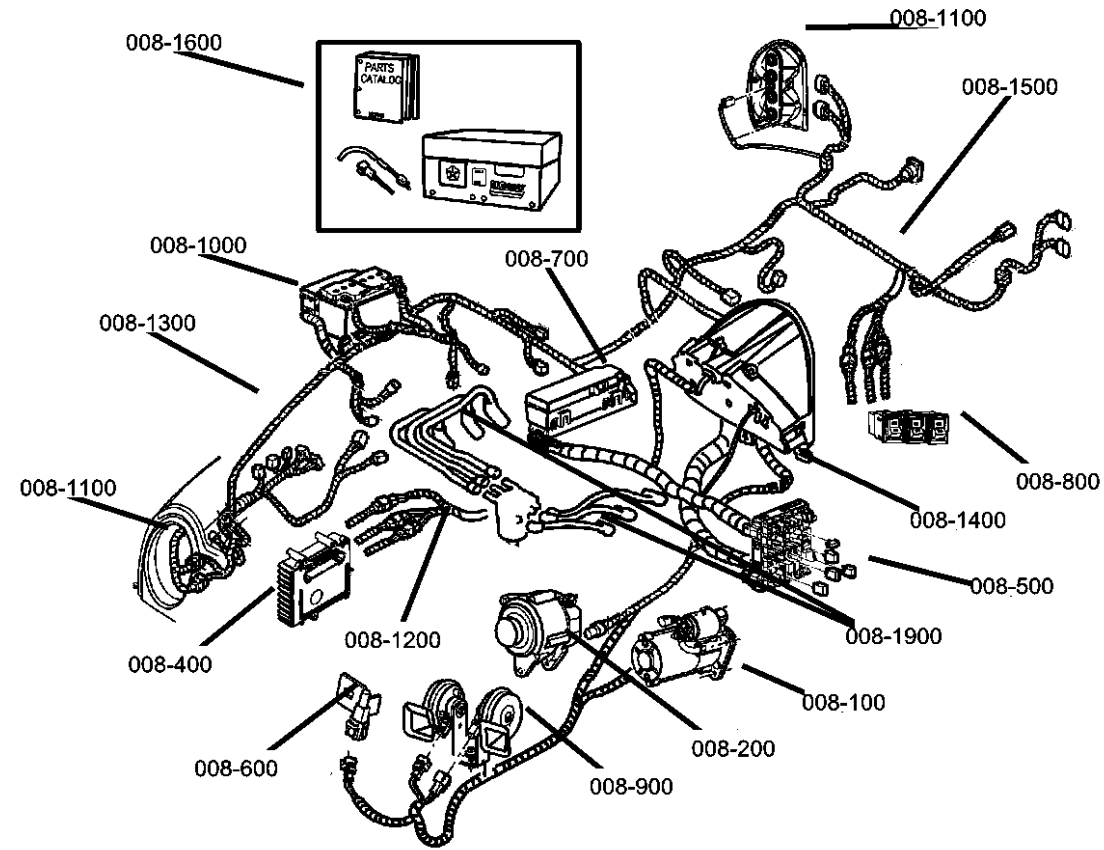
AR = use ase required - = Non illustrated part


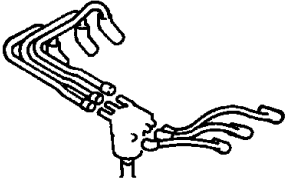
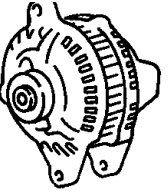
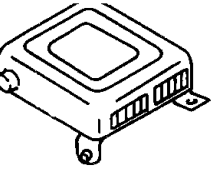
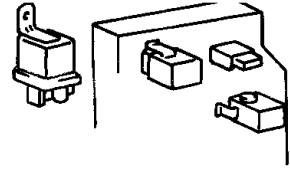
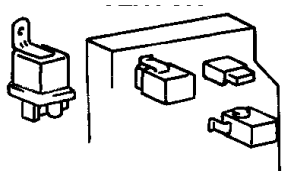
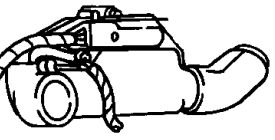
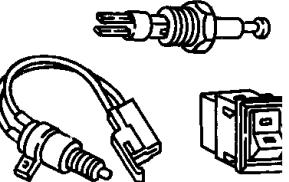
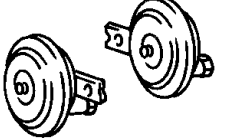
2005 ZB

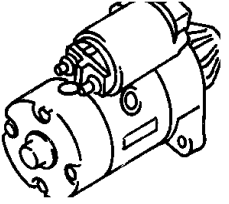
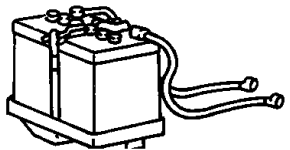
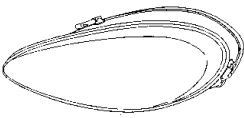
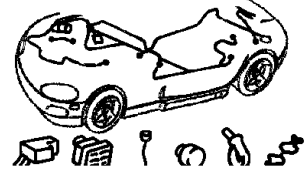
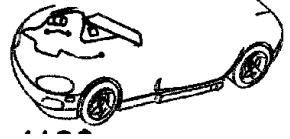
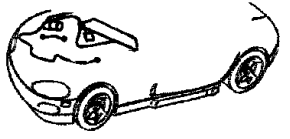
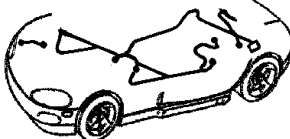


# Group - 8

## Electrical



<b>008-1700</b> Air Bag System 	<b>008-1900</b> Spark Plugs-Cables-Coils 	<b>008-200</b> Alternators 	<b>008-400</b> Modules 
<b>008-500</b> Relays 	<b>008-600</b> Sensors 	<b>008-700</b> Single Board Engine Controllers 	<b>008-800</b> Switches 
<b>008-900</b> Horns 			

<b>008-100</b> Starters 	<b>008-1000</b> Battery Tray and Cables 	<b>008-1100</b> Lamps - Front, Rear and Courtesy 	<b>008-1200</b> Wiring-Engine & Related Parts 
<b>008-1300</b> Wiring-Headlamp to Dash 	<b>008-1400</b> Wiring-Instrument Panel 	<b>008-1500</b> Wiring-Body & Accessories 	<b>008-1600</b> Wiring Repair  <b>WIRING REPAIR PKG.</b>

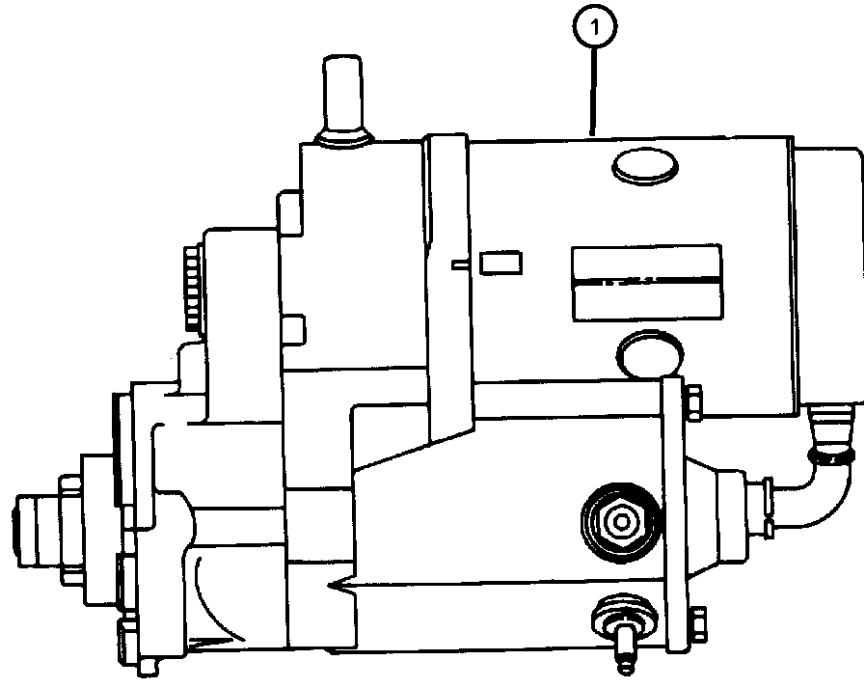
---

## Group - 8 Electrical

Illustration Title	Group-Fig. No.
<b>Starters</b>	
Starter.....	Fig. 8 - 105
<b>Alternators</b>	
Alternators.....	Fig. 8 - 205
<b>Modules</b>	
Modules.....	Fig. 8 - 405
<b>Relays</b>	
Power Distribution Center, [Relays, and Fuses].....	Fig. 8 - 505
<b>Sensors</b>	
Sensors, Power Train.....	Fig. 8 - 605
Sensors, Body.....	Fig. 8 - 610
<b>Single Board Engine Controllers</b>	
Single Board Controllers.....	Fig. 8 - 705
<b>Switches</b>	
Switches Instrument Panel and Console.....	Fig. 8 - 805
Switches Drivetrain.....	Fig. 8 - 810
Switches Body.....	Fig. 8 - 815
<b>Horns</b>	
Horns.....	Fig. 8 - 905
<b>Battery Tray and Cables</b>	
Battery Tray and Cables.....	Fig. 8 - 1005
<b>Lamps - Front, Rear and Courtesy</b>	
Lamps and Wiring - Front.....	Fig. 8 - 1105
Lamps and Wiring - Rear.....	Fig. 8 - 1110
Courtesy Lamps.....	Fig. 8 - 1115
Bulbs.....	Fig. 8 - 1120
<b>Wiring-Engine &amp; Related Parts</b>	
Wiring - Engine and Related Parts.....	Fig. 8 - 1205
<b>Wiring-Headlamp to Dash</b>	
Wiring - Headlamp to Dash.....	Fig. 8 - 1305
<b>Wiring-Instrument Panel</b>	
Wiring - Instrument Panel.....	Fig. 8 - 1405
<b>Wiring-Body &amp; Accessories</b>	
Wiring - Body and Accessories.....	Fig. 8 - 1505
<b>Wiring Repair</b>	
Connector Repair Package.....	Fig. 8 - 1605
<b>Air Bag System</b>	
Air Bag System.....	Fig. 8 - 1705
<b>Spark Plugs-Cables-Coils</b>	
Spark Plugs - Cables - Coil.....	Fig. 8 - 1905

**Starter  
Figure 8-105**

ITEM	PART NUMBER	QTY	LINE	SERIES	BODY	ENGINE	TRANS	TRIM	DESCRIPTION
1	05037199AB	1				EWC			STARTER
-2	00154935AA	2				EWC			SCREW, SCREW, Starter mounting



**VIPER (ZB)**  
 SERIES  
 S = SRT-10  
 X = Coupe

LINE  
 D = DODGE

BODY  
 27 = 2-DR CONVERTIBLE  
 29 = SPECIALTY COUPE

ENGINE  
 EWC = Engine - 8.3L V10 SFI

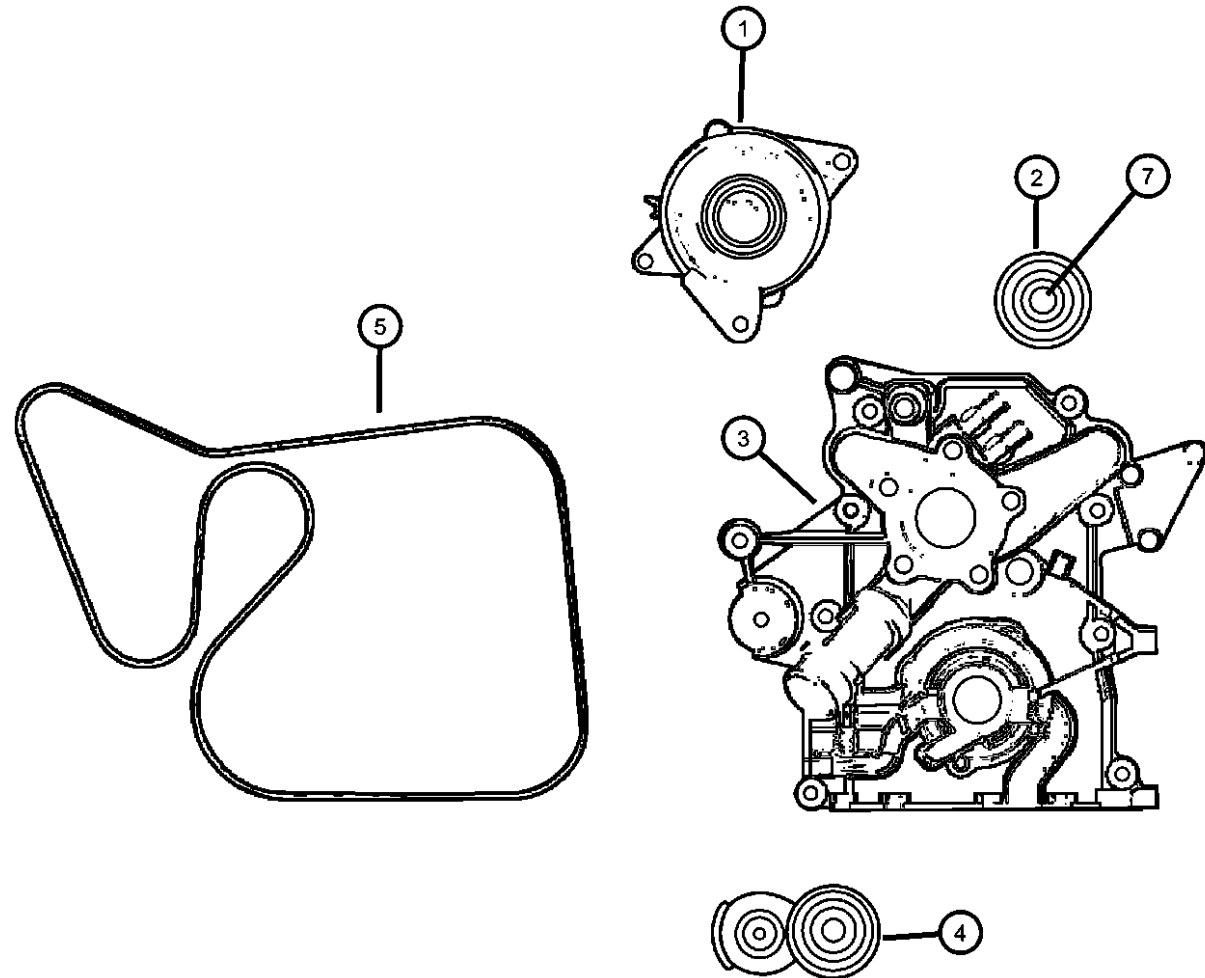
TRANSMISSION  
 DEC = 6 Speed Manual  
 DBB = All Manual Transmissions

AR = use ase required - = Non illustrated part

2005 ZB

**Alternators  
Figure 8-205**

ITEM	PART NUMBER	QTY	LINE	SERIES	BODY	ENGINE	TRANS	TRIM	DESCRIPTION
EWB= 8.0L V10 SFI									
1	05037198AA	1				EWC			ALTERNATOR, Electrical
2	04792581AB	1				EWC			PULLEY, Idler
3	05037036AH	1				EWC			COVER, Timing Case
4	05086500AA	1				EWC			TENSIONER PACKAGE, Belt
5	05037206AD	1				EWC			BELT, Accessory Drive
-6	06035558	1				EWC			SCREW, Hex Flange Head, .375-16x1.50
7	33002201	1				EWC			BUSHING, Idler Pulley
-8	06506929AA	1				EWC			NUT, Hex Flange Lock, M8x1.25
-9	06505128AA	1				EWC			BOLT



**VIPER (ZB)**

SERIES  
S = SRT-10  
X = Coupe

LINE  
D = DODGE

BODY  
27 = 2-DR CONVERTIBLE  
29 = SPECIALTY COUPE

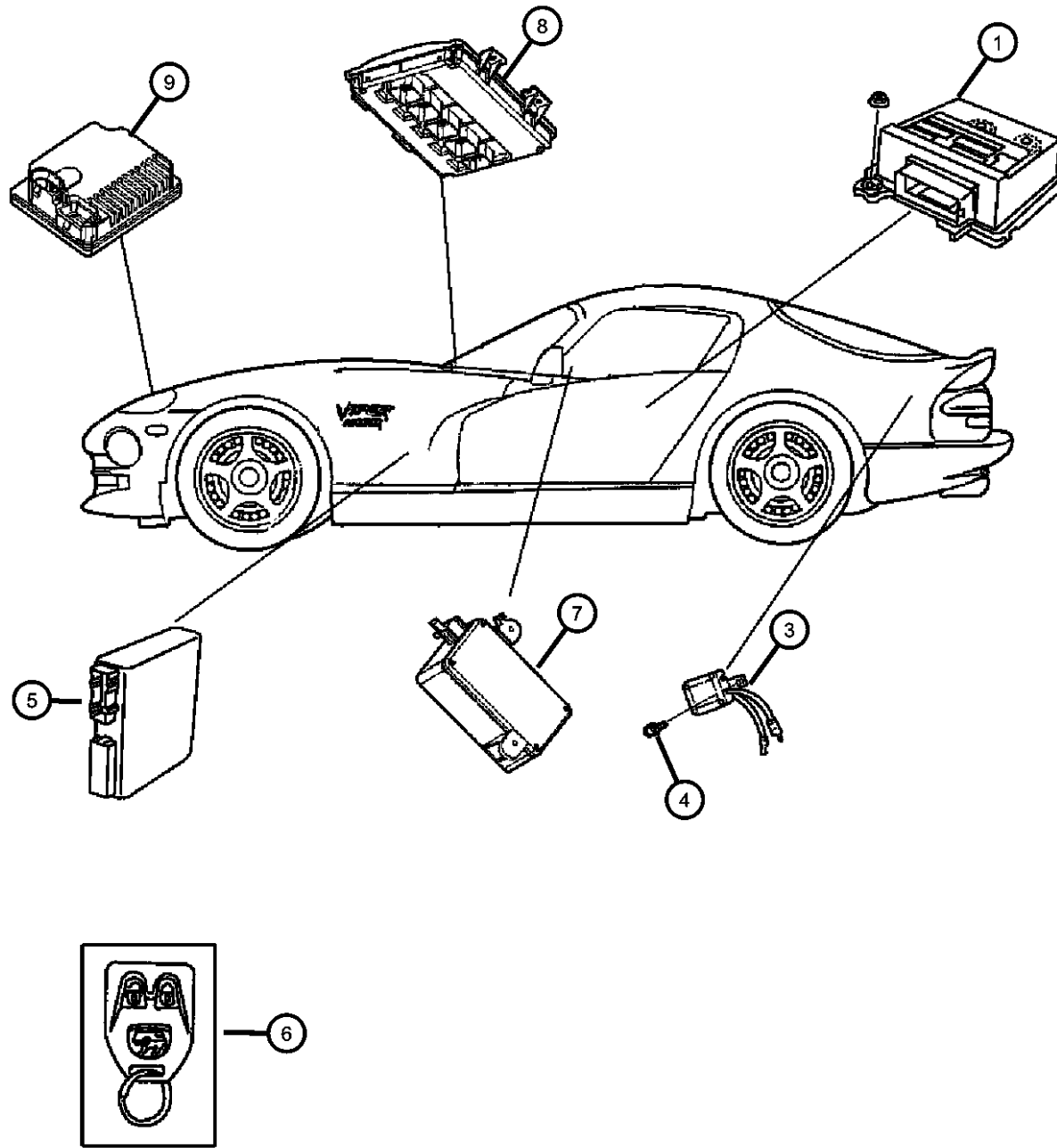
ENGINE  
EWC = Engine - 8.3L V10 SFI

TRANSMISSION  
DEC = 6 Speed Manual  
DBB = All Manual Transmissions

AR = use ase required - = Non illustrated part

2005 ZB

Modules  
Figure 8-405



ITEM	PART NUMBER	QTY	LINE	SERIES	BODY	ENGINE	TRANS	TRIM	DESCRIPTION
1	04865582AB	1							MODULE, Air Bag Control
-2	06102254AA	4							BOLT AND WASHER, Hex Head, M6x-1.00x55
3	04815551AC	1							MODULE, Radio Antenna
4	04815551AC	1							SCREW, Tapping, .19-16x1.75, (NOT SERVICED)
5	04686669AC	1			27				MODULE, Keyless Entry Receiver
6	04602260AA	8							TRANSMITTER, Keyless Entry
7	04815227AF	1							MODULE, Low Tire Pressure Warning
8	05029670AB	1							MODULE, Body Controller
9	04865944AA	1							MODULE, HID Bulb PowerpackRight or Left

VIPER (ZB)

SERIES

S = SRT-10

X = Coupe

LINE

D = DODGE

BODY

27 = 2-DR CONVERTIBLE

29 = SPECIALTY COUPE

ENGINE

EWC = Engine - 8.3L V10 SFI

TRANSMISSION

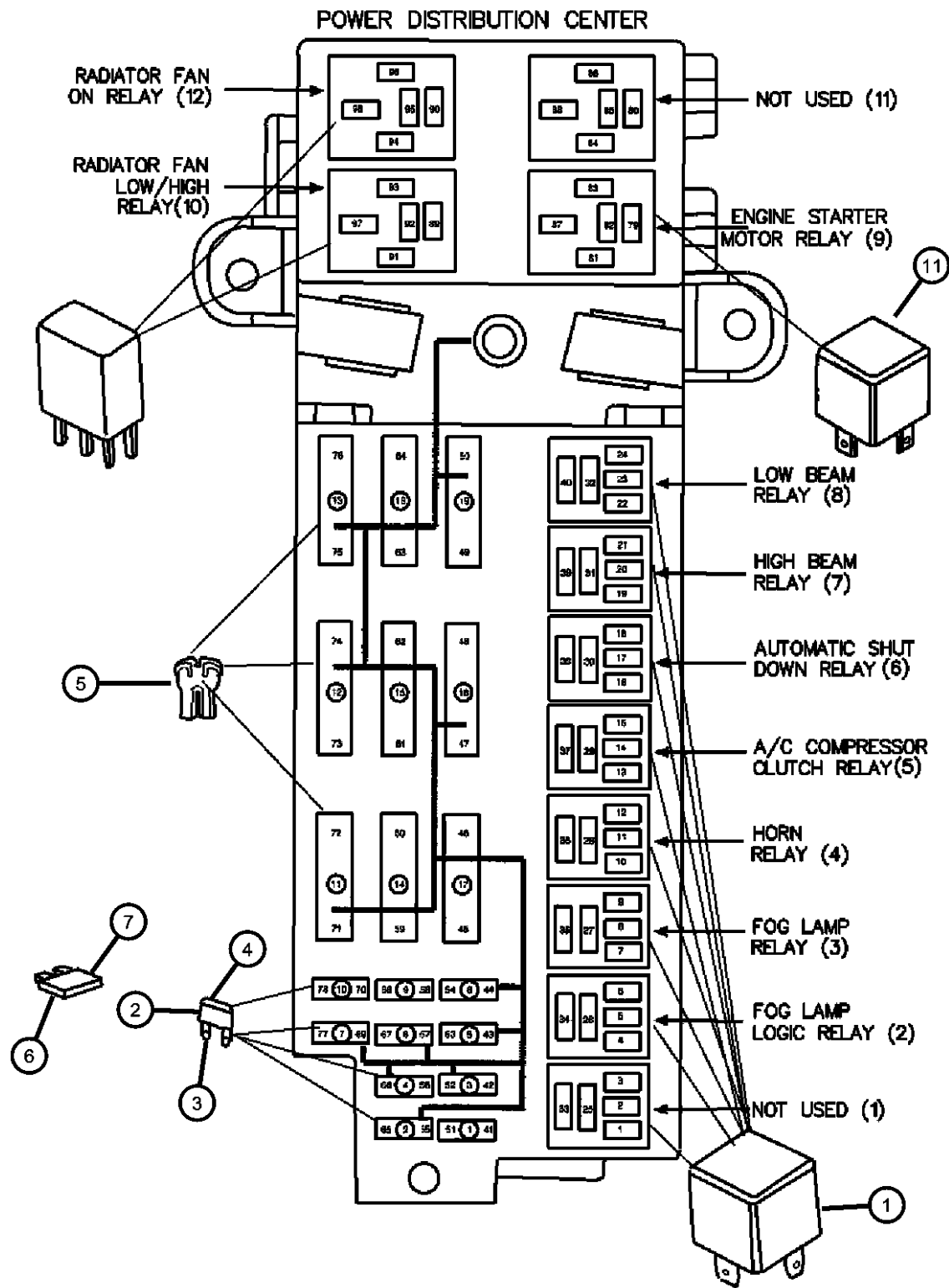
DEC = 6 Speed Manual

DBB = All Manual Transmissions

AR = use ase required - = Non illustrated part

2005 ZB

**Power Distribution Center, [Relays, and Fuses]**  
**Figure 8-505**



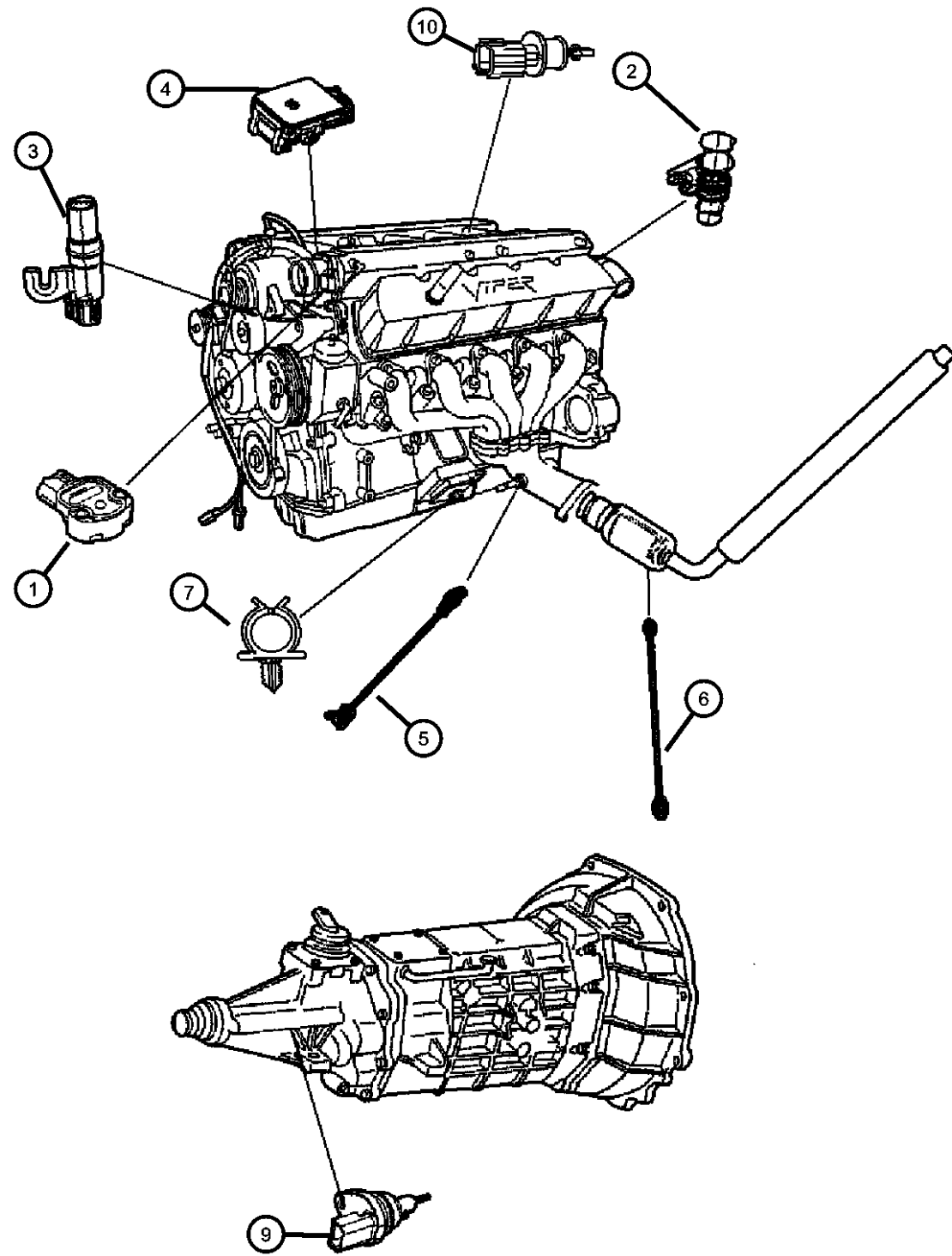
ITEM	PART NUMBER	QTY	LINE	SERIES	BODY	ENGINE	TRANS	TRIM	DESCRIPTION
1	05269988AA	1							RELAY, Mini
2	000ATM10	2							FUSE, Mini, 10 AMP, Red
3	000ATM15	1							FUSE, Mini, 15 AMP, Light Blue
4	000ATM20	1							FUSE, Mini, 20 AMP, Yellow
5	06102075AA	1							FUSE CARTRIDGE, 20 Amp
6	04868007AA	1							FUSE CARTRIDGE, 30 Amp
7	04868008AA	1							FUSE CARTRIDGE, 40 Amp
-8	06101757	2							FUSIBLE LINK
-9	05029294AD	1							BRACKET, Power Distribution Center
-10	05114019AA	1							COVER, Power Distribution Center
11	56006709	1							RELAY, Mini

**VIPER (ZB)**

SERIES	LINE	BODY	ENGINE	TRANSMISSION
S = SRT-10	D = DODGE	27 = 2-DR CONVERTIBLE	EWC = Engine - 8.3L V10 SFI	DEC = 6 Speed Manual
X = Coupe		29 = SPECIALTY COUPE		DBB = All Manual Transmissions

AR = use ase required - = Non illustrated part

Sensors, Power Train  
Figure 8-605



ITEM	PART NUMBER	QTY	LINE	SERIES	BODY	ENGINE	TRANS	TRIM	DESCRIPTION
EWC=8.0L V10 SFI DEC= MANUAL 6-SPEED									
1	04686360AC	1				EWC			SENSOR, Throttle Position
2	05033307AA	1				EWC			SENSOR, Crankshaft Position
3	05245084	1				EWC			SENSOR, Camshaft
4	04686684AA	1				EWC			SENSOR, MAP
5	56041699AA	2				EWC			SENSOR, Oxygen, Upstream
6	56041706AA	2				EWC			SENSOR, Oxygen, Downstream
7	06016152	2				EWC			CLIP
-8	05073039AA	2							STRAP, Tie
9	04848214	1					DEC		SENSOR, Vehicle Speed
10	04606487AB	1				EWC			SENSOR, Charge Air Temp
-11	56028563AA	2				EWC			SENSOR, Knock

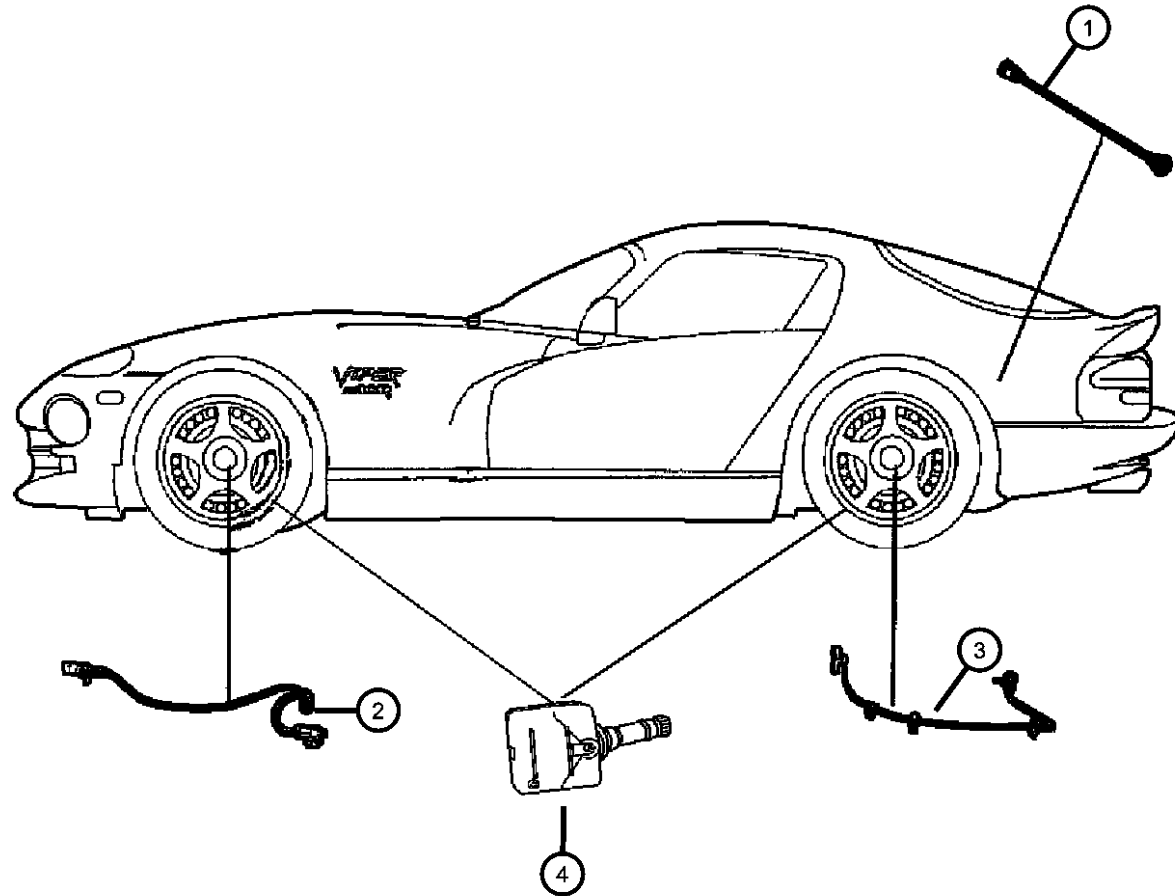
VIPER (ZB)

SERIES	LINE	BODY	ENGINE	TRANSMISSION
S = SRT-10	D = DODGE	27 = 2-DR CONVERTIBLE	EWC = Engine - 8.3L V10 SFI	DEC = 6 Speed Manual
X = Coupe		29 = SPECIALTY COUPE		DBB = All Manual Transmissions

AR = use ase required - = Non illustrated part

Sensors, Body  
Figure 8-610

ITEM	PART NUMBER	QTY	LINE	SERIES	BODY	ENGINE	TRANS	TRIM	DESCRIPTION
1	56041053	1							SENSOR, Battery Temperature
2	05290952AA	2							SENSOR, Anti-Lock BrakesFront
3	05290248AA	2							SENSOR, Anti-Lock BrakesRear
4	52088990AA	1							SENSOR, Tire Pressure, Valve stem
-5	52088961AA	1							NUT, Tire Pressure Sensor
-6	05083124AA	1							CAP, Valve stem



VIPER (ZB)

SERIES  
S = SRT-10  
X = Coupe

LINE  
D = DODGE

BODY  
27 = 2-DR CONVERTIBLE  
29 = SPECIALTY COUPE

ENGINE  
EWC = Engine - 8.3L V10 SFI

TRANSMISSION  
DEC = 6 Speed Manual  
DBB = All Manual Transmissions

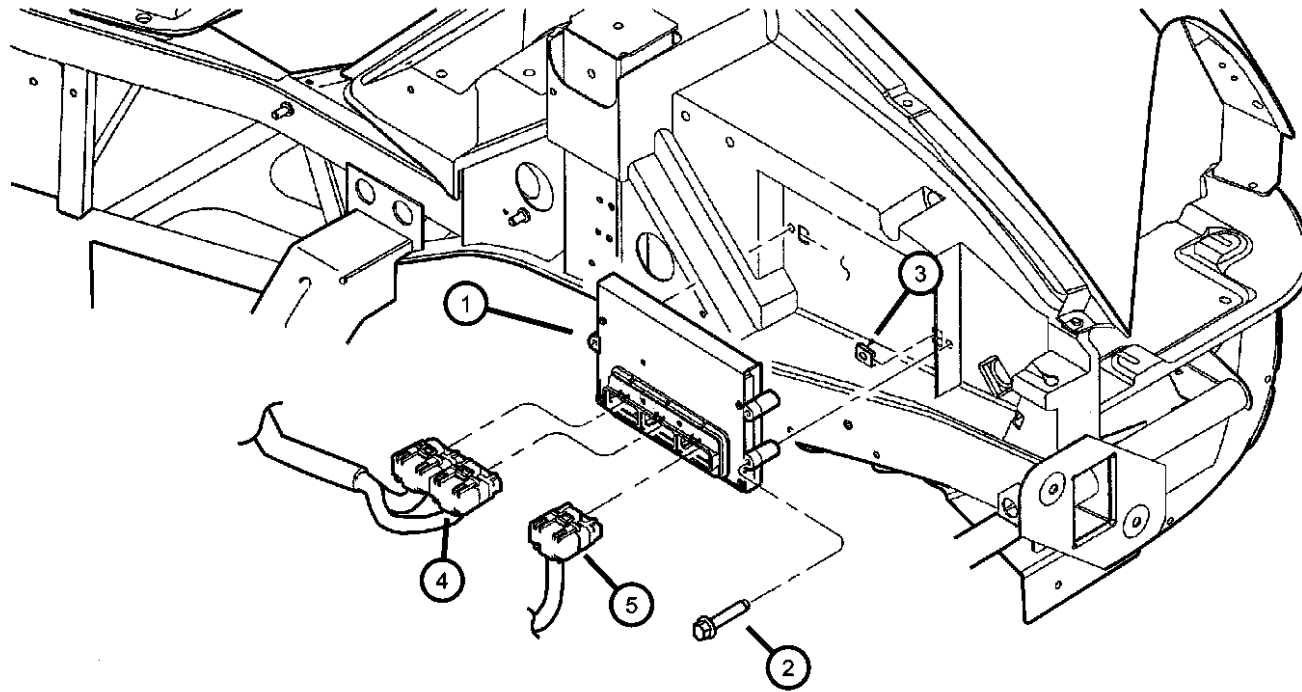
AR = use ase required - = Non illustrated part

2005 ZB



**Single Board Controllers  
Figure 8-705**

ITEM	PART NUMBER	QTY	LINE	SERIES	BODY	ENGINE	TRANS	TRIM	DESCRIPTION
1									MODULE, Powertrain Control
	05029894AA	1							Export
	05170886AA	1							
2	05170886AA	1							SCREW, Hex Flange Head, [m5x.80x55], (NOT SERVICED)
3	06503746	2							U NUT, M5x0.80
4	06503746	2							WIRING, Headlamp to Dash, See 8-1305, (NOT SERVICED)
5	06503746	2							WIRING, Engine, See 8-1205, (NOT SERVICED)



**VIPER (ZB)**

SERIES  
S = SRT-10  
X = Coupe

LINE  
D = DODGE

BODY  
27 = 2-DR CONVERTIBLE  
29 = SPECIALTY COUPE

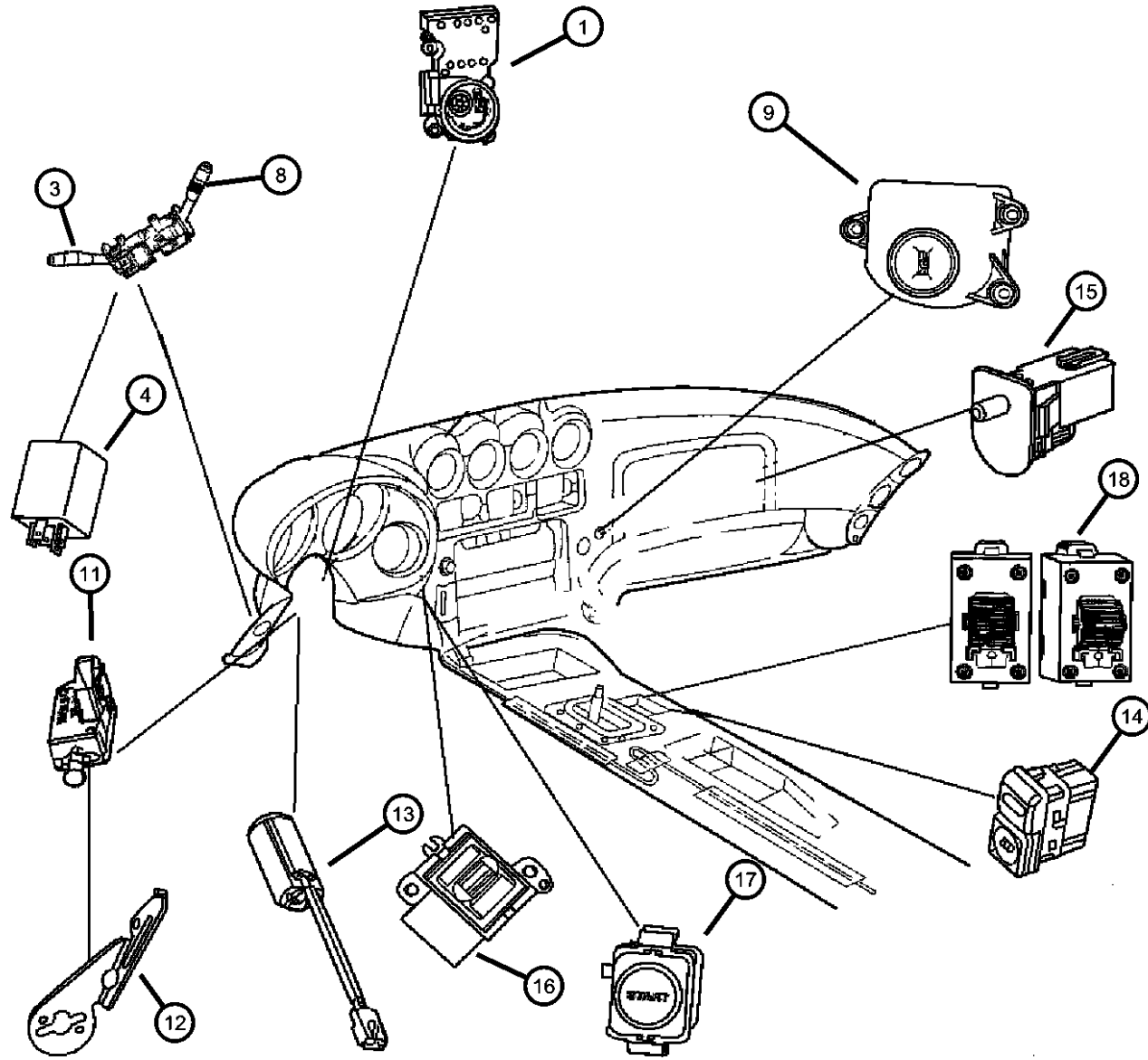
ENGINE  
EWC = Engine - 8.3L V10 SFI

TRANSMISSION  
DEC = 6 Speed Manual  
DBB = All Manual Transmissions

AR = use ase required - = Non illustrated part

2005 ZB

**Switches Instrument Panel and Console**  
**Figure 8-805**



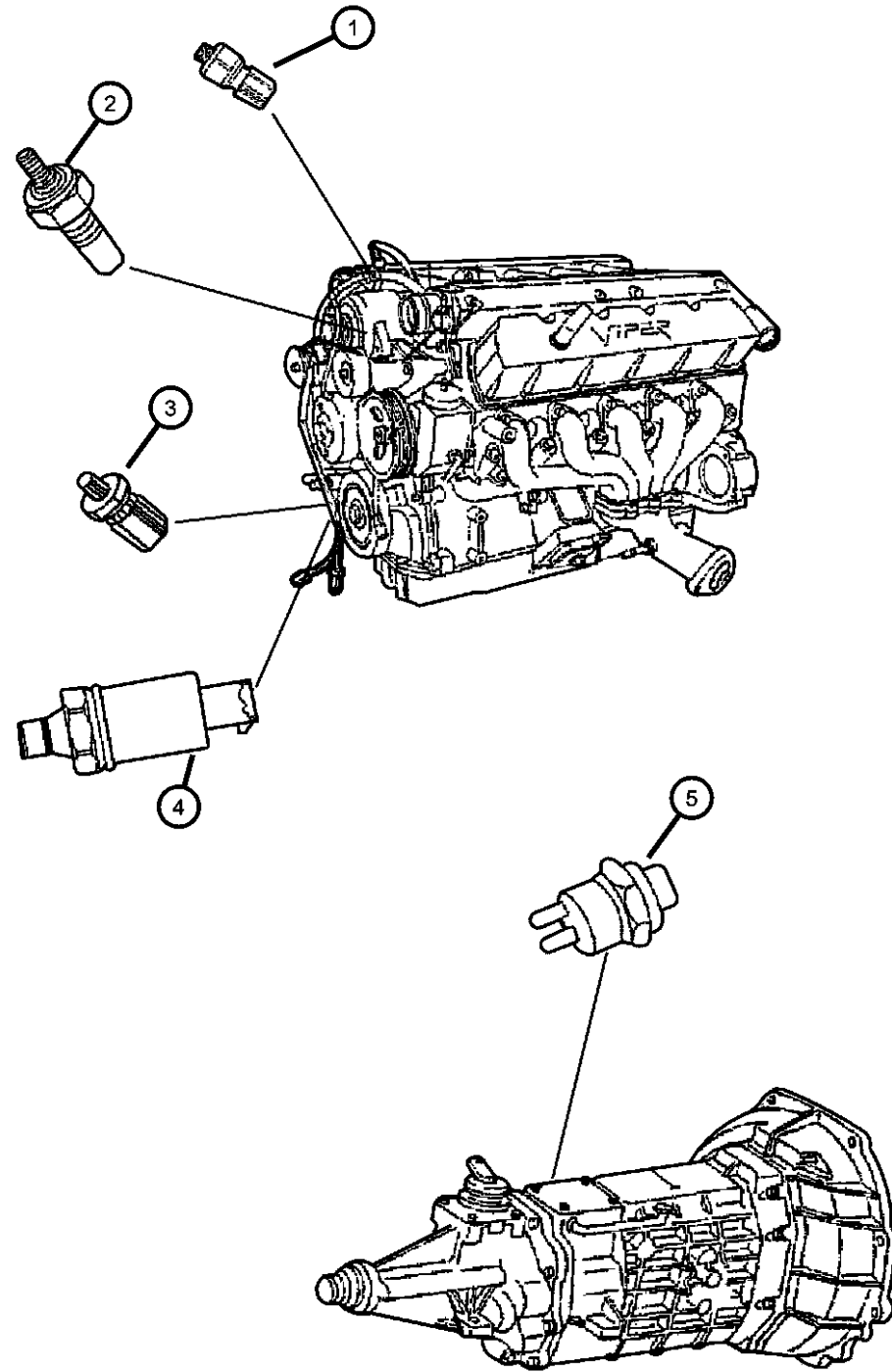
ITEM	PART NUMBER	QTY	LINE	SERIES	BODY	ENGINE	TRANS	TRIM	DESCRIPTION
EWB= 8.0L V10 SFI DEC= MANUAL 6-SPEED									
1	04685719AC	1							SWITCH, Ignition, Steering Column
-2	06035021	1							SCREW, Pan Head Tapping, .125-40x.437, Ignition Switch mounting
3	05066185AA	1							SWITCH, Multifunction
4	04671714AC	1							FLASHER
-5	04794302AA	2							FOAM, Multifunction Switch
-6	06036075AA	2							SCREW, Pan Head
-7	06503395	2							SCREW AND WASHER, Self Tapping, M4x.7x14, Multifunction Switch
8	05019710AA	1							SWITCH, Intermittent Wiper
9	04865875AA	1							SWITCH, Passenger Airbag Disarm
-10	06032452	3							SCREW, Self Piercing, .164-15x.625, Disarm switch attaching
11	05083344AA	1							SWITCH PACKAGE, Stop Lamp
12	05029206AB	1							BRACKET, Stop Lamp Switch
13	53007944AB	1							SWITCH, Clutch Starter Interlock
14	53007944AB	1							SWITCH, Electric Back Light, (NOT REQUIRED)
15	04565022	1							SWITCH AND LAMP, Glove Box
16	56042387	1							SWITCH, Pedal Adjuster
17	04865676AC	1							SWITCH, Ignition, In instrument panel trim bezel
18	04608633AD	2							SWITCH, Window

**VIPER (ZB)**

SERIES	LINE	BODY	ENGINE	TRANSMISSION
S = SRT-10	D = DODGE	27 = 2-DR CONVERTIBLE	EWC = Engine - 8.3L V10 SFI	DEC = 6 Speed Manual
X = Coupe		29 = SPECIALTY COUPE		DBB = All Manual Transmissions

AR = use ase required - = Non illustrated part

Switches Drivetrain  
Figure 8-810



ITEM	PART NUMBER	QTY	LINE	SERIES	BODY	ENGINE	TRANS	TRIM	DESCRIPTION
1	05290274AB	1			27				SWITCH, A/C Low Pressure Cut Off
2	05269870AB	1				EWC			SENSOR, Coolant Temperature
		1				EWC			Engine oil temp sensor
3		1							SWITCH, Oil Pressure, (NOT REQUIRED),
4	56028807AB	1				EWC			SENDING UNIT, Oil Pressure
5	04626593	1					DEC		SWITCH, Back Up Lamp

VIPER (ZB)

SERIES  
S = SRT-10  
X = Coupe

LINE  
D = DODGE

BODY  
27 = 2-DR CONVERTIBLE  
29 = SPECIALTY COUPE

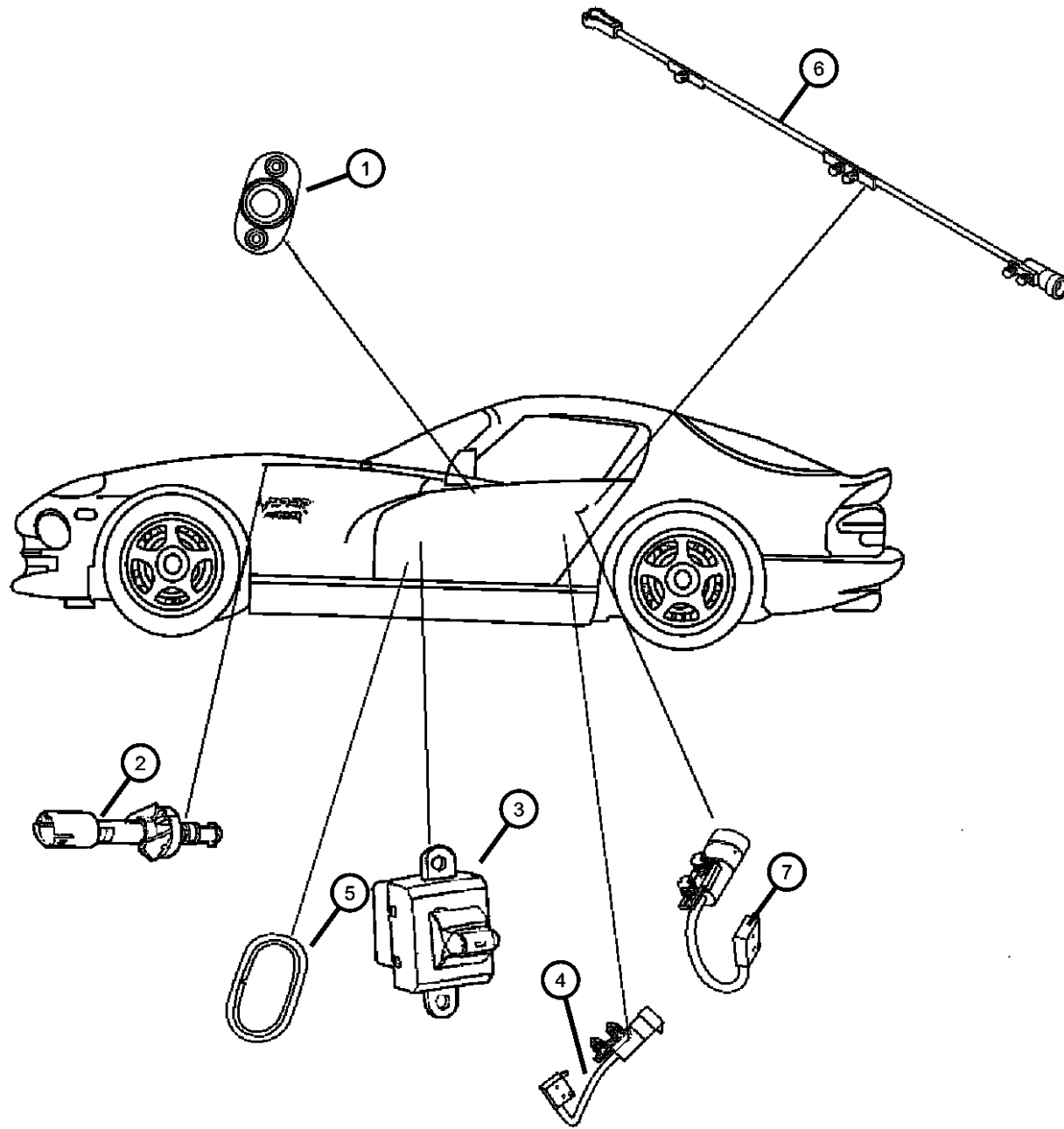
ENGINE  
EWC = Engine - 8.3L V10 SFI  
TRANSMISSION  
DEC = 6 Speed Manual  
DBB = All Manual Transmissions

AR = use ase required - = Non illustrated part

2005 ZB

Switches Body  
Figure 8-815

ITEM	PART NUMBER	QTY	LINE	SERIES	BODY	ENGINE	TRANS	TRIM	DESCRIPTION
1	04608505AC	1							SWITCH, Mirror
2	04687594AB	1							SWITCH, Underhood
3	04685435	1							SWITCH, Door lock
4	04865870AB	1							SWITCH, Door Handle
5	05083970AA	1							BEZEL, Switch
6	04685841AB	1							SWITCH, Door Lock, Lock cylinder key position
7	05029677AA	1							SWITCH, Outside Door Handle



VIPER (ZB)

SERIES  
S = SRT-10  
X = Coupe

LINE  
D = DODGE

BODY  
27 = 2-DR CONVERTIBLE  
29 = SPECIALTY COUPE

ENGINE  
EWC = Engine - 8.3L V10 SFI

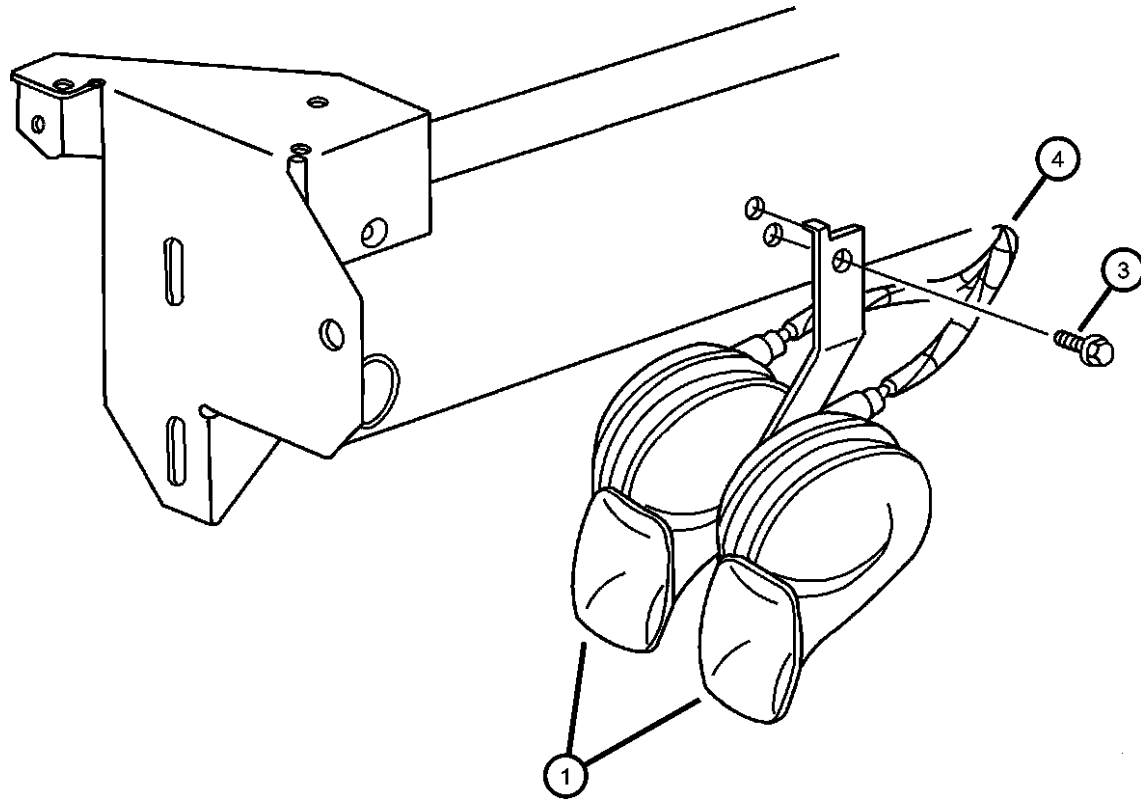
TRANSMISSION  
DEC = 6 Speed Manual  
DBB = All Manual Transmissions

AR = use ase required - = Non illustrated part

2005 ZB

Horns  
Figure 8-905

ITEM	PART NUMBER	QTY	LINE	SERIES	BODY	ENGINE	TRANS	TRIM	DESCRIPTION
1	04760944AE	1							HORN AND BRACKET, High Note
-2	04760943AE	1							HORN AND BRACKET, Low Note
3	04760943AE	1							SCREW, .250-14x.875, Horn Attaching, (NOT SERVICED)
4	04760943AE	1							WIRING, Headlamp to Dash, See 8-1305, (NOT SERVICED)



VIPER (ZB)

SERIES

S = SRT-10  
X = Coupe

LINE

D = DODGE

BODY

27 = 2-DR CONVERTIBLE  
29 = SPECIALTY COUPE

ENGINE

EWC = Engine - 8.3L V10 SFI

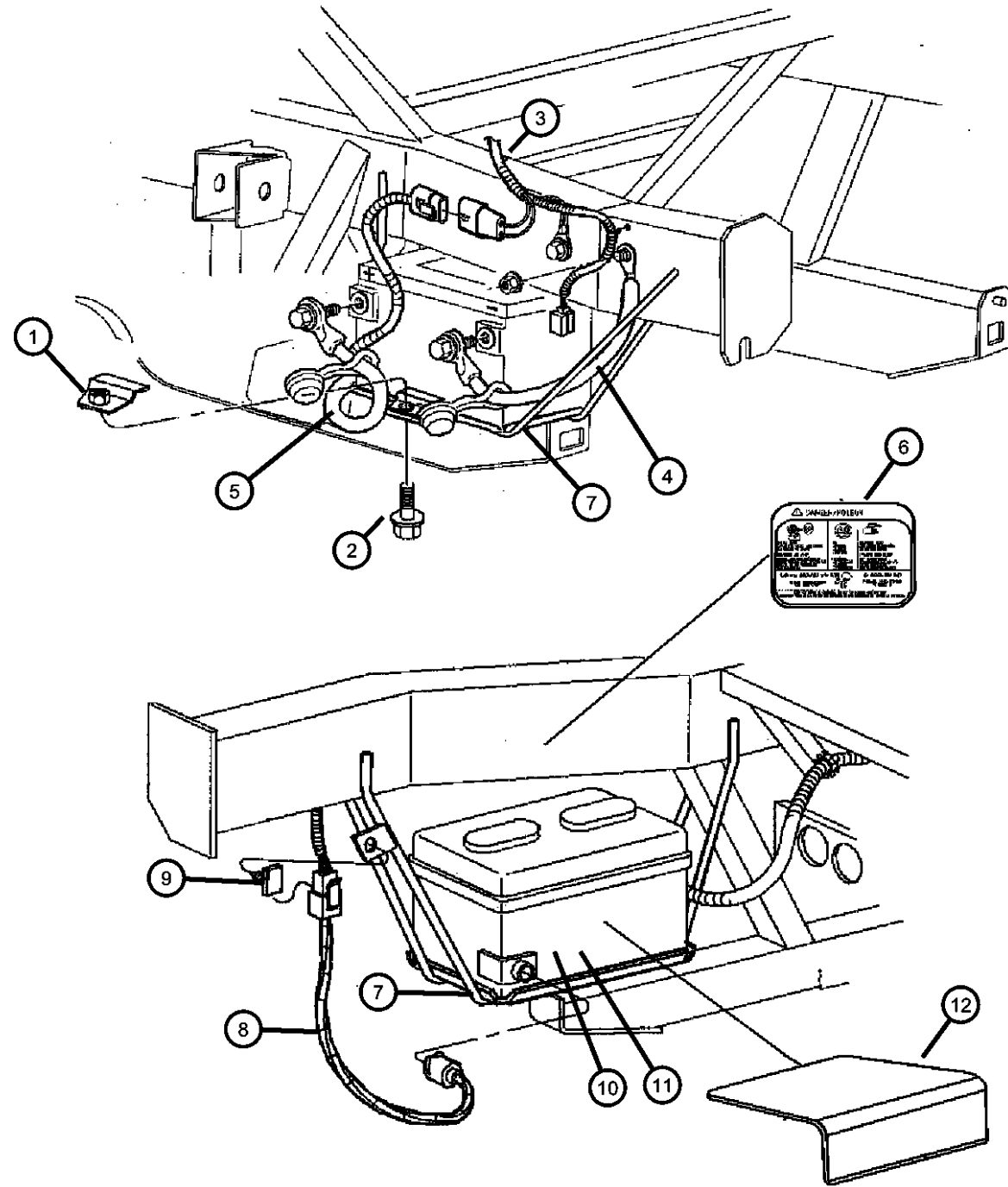
TRANSMISSION

DEC = 6 Speed Manual  
DBB = All Manual Transmissions

AR = use ase required - = Non illustrated part

2005 ZB

**Battery Tray and Cables**  
**Figure 8-1005**



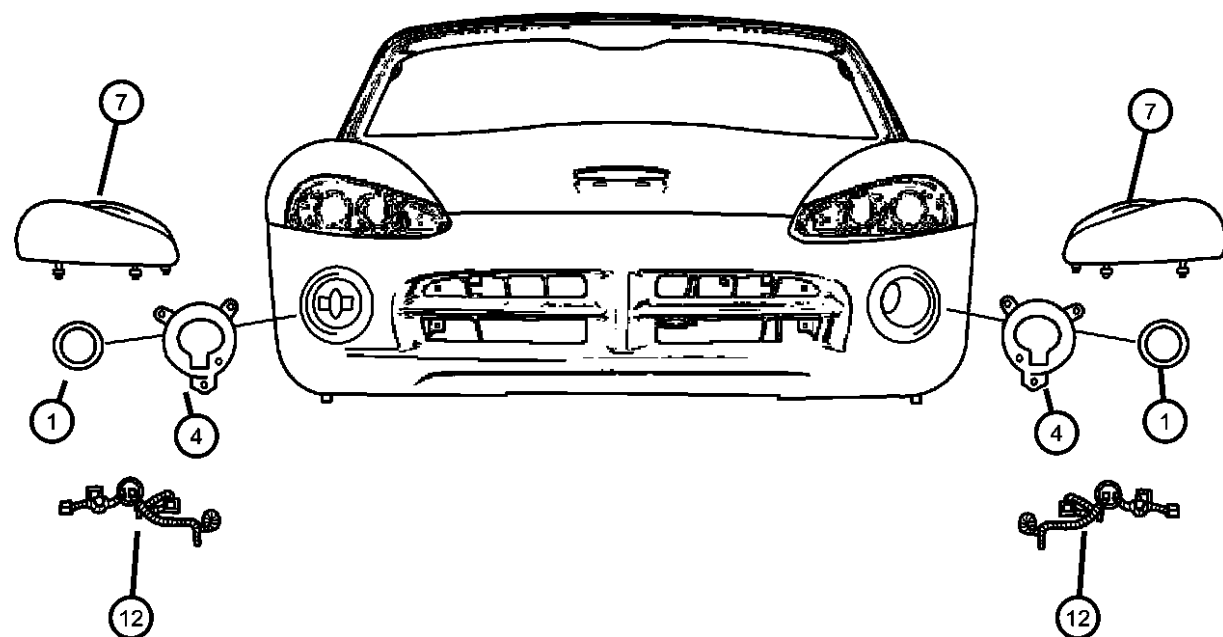
ITEM	PART NUMBER	QTY	LINE	SERIES	BODY	ENGINE	TRANS	TRIM	DESCRIPTION
1	05202588	1							RETAINER, Battery
2	05202588	1							SCREW AND WASHER, Hex Head, M8x1.25x30, (NOT SERVICED)
3	05202588	1							WIRING, Body, See 8 1505, (NOT SERVICED)
4	05029668AA	1							WIRING, Battery Negative
5	05029668AA	1							WIRING, Battery Positive, Serviced in Body Harness only, (NOT SERVICED)
6	04848923AA	1							LABEL, Battery
7	04848923AA	1							TRAY, Battery, Serviced in frame assembly, (NOT SERVICED)
8	56041053	1							SENSOR, Battery Temperature
9	56041053	1							CLIP, [9MM], (NOT SERVICED)
10	04727159AD	1							BATTERY
	BA078770EX								Mopar Power Pro 7
	BA034600EX								Mopar Power Pro 6
	BA034500EX								Mopar Power Pro 5
	BAUNV34650								Mopar Universal Battery
	NAS34770EX								Mopar NASCAR Battery
11	04364958	1							BATTERY, DryExport
12	05029087AA	1							COVER, Battery

**VIPER (ZB)**

SERIES	LINE	BODY	ENGINE	TRANSMISSION
S = SRT-10	D = DODGE	27 = 2-DR CONVERTIBLE	EWC = Engine - 8.3L V10 SFI	DEC = 6 Speed Manual
X = Coupe		29 = SPECIALTY COUPE		DBB = All Manual Transmissions

AR = use ase required - = Non illustrated part

Lamps and Wiring - Front  
Figure 8-1105



ITEM	PART NUMBER	QTY	LINE	SERIES	BODY	ENGINE	TRANS	TRIM	DESCRIPTION
1	05029226AB	2							LAMP, Front Fog
-2	L0009145	2							BULB, Fog Lamp, 50 Watt
-3	04865822AA	1							PANEL, Fog Lamp
4	05029228AA	2							BRACKET, Fog Lamp
-5	05029228AA	2							SCREW, Hex Head Tapping, .19-16x1, (NOT SERVICED)
-6	05029228AA	2							SEAL, Fog Lamp, Serviced in Fog Lamp Assembly, (NOT SERVICED)
7									HEADLAMP
	04865484AF	1							[LMP], Right
	04865485AF	1							[LMP], Left
	05030187AA	1							[LMV], Left
	05030188AA	1							[LMV], Right
	05030189AA	1							[LMY], Left
	05030190AA	1							[LMY], Right
-8	L09005XSLL	1							BULB, Headlamp
-9	00153624	1			27				BULB, W3W
-10	L002825W5W	1							BULB, W10/5
-11	L004157NAK	1							BULB, 4157 NAK
12	05030505AA	1							WIRING, Headlamp Jumper
-13	L0000194	1							BULB, 194
-14	L003157K	1			27				BULB, 3157K
-15	05029065AA	1							SOCKET, Headlamp
-16	04865944AA	1							MODULE, HID Bulb Powerpack
-17	04399639	1							SOCKET, Park And Turn Signal
-18	05288895AC	1							LAMP, Side RepeaterExport
-19	55156010AA	2							WIRING, Side Repeater Lamp
-20									NOZZLE, Washer, Headlamp
	05029746AA	1							Right, Export
	05029747AA	2							Left, Export
-21									COVER, Headlamp
	05030218AA	1							Right, Export
	05030219AA	1							Left, Export
-22	05030215AA	2							HOSE, Windshield Washer, Headlamp washer nozzle, Export

VIPER (ZB)

SERIES LINE  
S = SRT-10 D = DODGE  
X = Coupe

BODY  
27 = 2-DR CONVERTIBLE  
29 = SPECIALTY COUPE

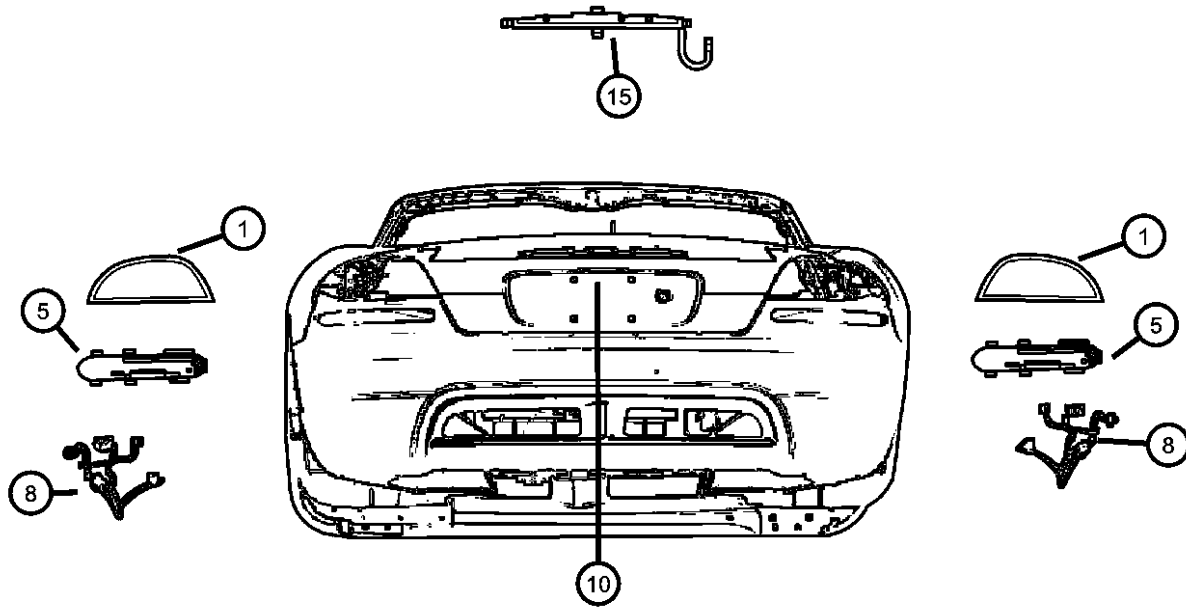
ENGINE TRANSMISSION  
EWC = Engine - 8.3L V10 SFI DEC = 6 Speed Manual  
DBB = All Manual Transmissions

AR = use ase required - = Non illustrated part

2005 ZB

Lamps and Wiring - Rear  
Figure 8-1110

ITEM	PART NUMBER	QTY	LINE	SERIES	BODY	ENGINE	TRANS	TRIM	DESCRIPTION
1									LAMP, Tail Stop Turn
	04865486AG	1							Right
	04865486AH	1							Right, Export
	04865487AG	1							Left
	04865487AH	1							Left, Export
-2	06100876	6							WASHER, Flat, M6.82x17.00x1.75
-3	L003057K	1							BULB, 3057K
-4	05003368AA	2							VENT
5									LAMP, Back-Up and Turn Signal
	04865488AD	1							Right
	04865489AD	1							Left
-6	05029224AA	6							U-CLIP, Grille To Fascia, BACK UP LAMP TO REAR FASCIA
-7	L0003457AK	1							BULB, 3457AK
	L0003457ST								SilverStar
8	05030506AA	1							WIRING, Taillamp
-9	06502589	6							NUT, Wing, M6, Licens Lamp attaching
10	04642929AB	2							LAMP, License Plate
-11	04642929AB	2							SCREW, Tapping, .19-16x.75, License Lamp Attaching, (NOT SERVICED)
-12	06034537	4							NUT, U Type, .190-16
-13	L0000168	2							BULB, 168
-14	05030501AA	1				27			WIRING, High Mounted Stop Lamp
15									LAMP, High Mounted Stop
	04865655AD	1				27			
	05030107AA	1				29			
-16	06101447	4							NUT AND WASHER, M6x1.00, CHMSL attaching
-17	04815972AB	AR							SHIM, Tail Lamp
-18	04399599	1							SEAL, Tail Lamp socket
-19	04523097	1							SOCKET, Turn Signal Lamp
-20	05030195AA	1							WIRING, Fog LampRear
-21	05030220AA	2						S	LAMP, Fog, [LPG], Export



VIPER (ZB)

SERIES	LINE	BODY	ENGINE	TRANSMISSION
S = SRT-10	D = DODGE	27 = 2-DR CONVERTIBLE	EWC = Engine - 8.3L V10 SFI	DEC = 6 Speed Manual
X = Coupe		29 = SPECIALTY COUPE		DBB = All Manual Transmissions

AR = use ase required - = Non illustrated part

2005 ZB

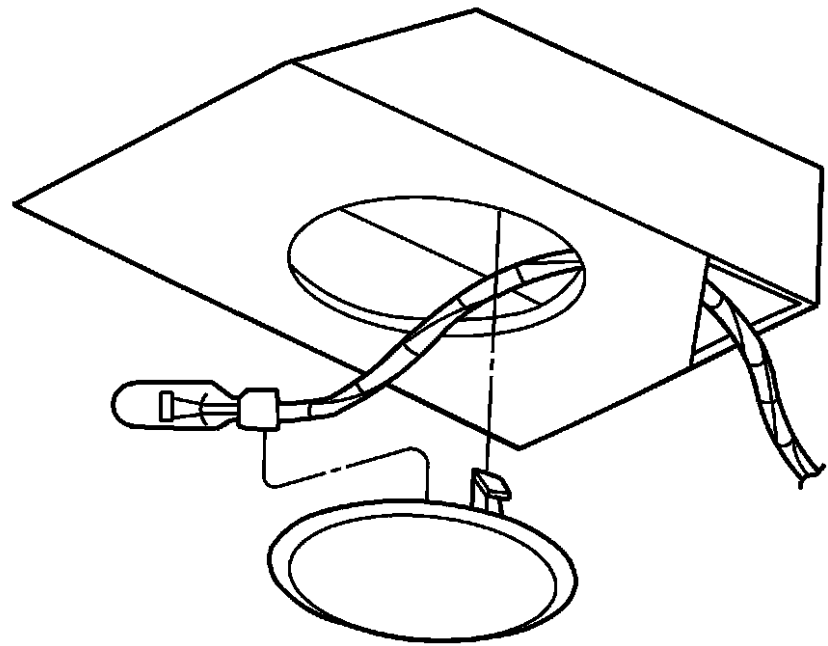
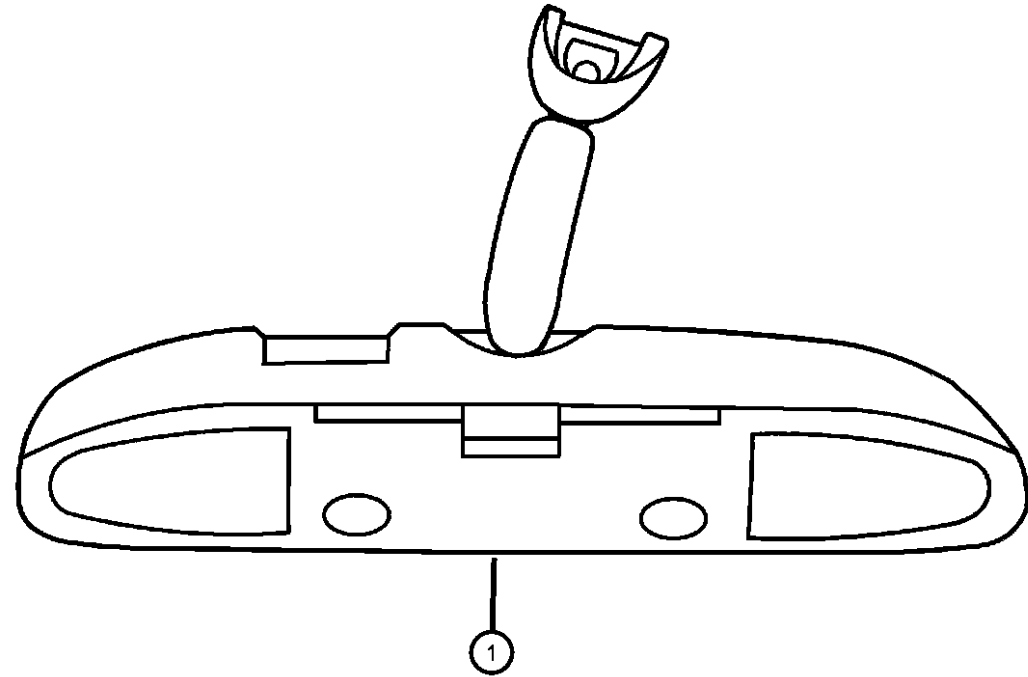


Courtesy Lamps  
Figure 8-1115

ITEM	PART NUMBER	QTY	LINE	SERIES	BODY	ENGINE	TRANS	TRIM	DESCRIPTION
------	-------------	-----	------	--------	------	--------	-------	------	-------------

1 05029067AB 1

MIRROR, Inside Rear View,  
Lighted



VIPER (ZB)

SERIES

S = SRT-10

X = Coupe

LINE

D = DODGE

BODY

27 = 2-DR CONVERTIBLE

29 = SPECIALTY COUPE

ENGINE

EWC = Engine - 8.3L V10 SFI

TRANSMISSION

DEC = 6 Speed Manual

DBB = All Manual Transmissions

AR = use ase required - = Non illustrated part

2005 ZB

**Bulbs**  
**Figure 8-1120**

**EXTERIOR LAMPS**

**BULB APPLICATION TABLE**

LAMP	BULB
Back-up	3157K (1)
CHMSL	LED - Replaced as an assembly
Front Fog Lamp	(H106) 9145 (2)
Front Park/Turn	3157NA (3)
Front Side Marker	2886X (4)
Headlamp/Low-beam-HID Lamp/Igniter Assembly	DIS (AC-D2S) (5)
Headlamp/High-Beam	(HB3A) 9005XS (6)
License Plate	168 (7)
Rear Side Marker	194 (8)
Rear Stop and Tail	3057 (9)
Rear Turn Signal	3757NA (10)

ITEM	PART NUMBER	QTY	LINE	SERIES	BODY	ENGINE	TRANS	TRIM	DESCRIPTION
1	L003157K	1							BULB, 3157K
2	L0009145	2							BULB, Fog Lamp, 50 Watt
3	L004157NAK	1							BULB, 4157 NAK
4	00153624	1							BULB, W3W
5	04865941AA	1							BULB, Headlamp
6	L09005XSLL	1							BULB, Headlamp
7	L0000168	2							BULB, 168
8	L0000194	1							BULB, 194
9	L003057K	1							BULB, 3057K
10	L0003457AK	1							BULB, 3457AK
	L0003457ST								SilverStar

**VIPER (ZB)**

SERIES  
S = SRT-10  
X = Coupe

LINE  
D = DODGE

BODY  
27 = 2-DR CONVERTIBLE  
29 = SPECIALTY COUPE

ENGINE  
EWC = Engine - 8.3L V10 SFI

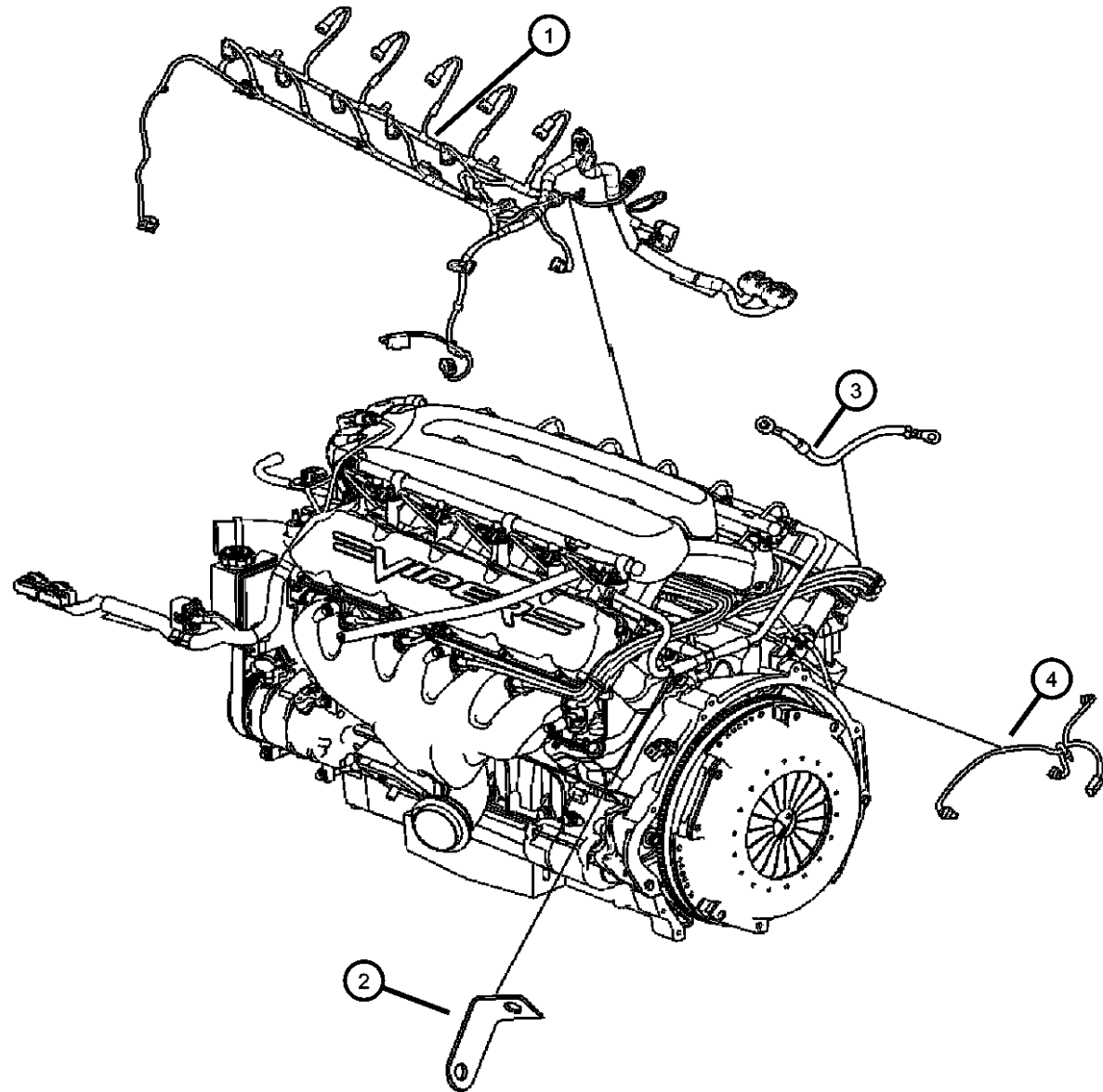
TRANSMISSION  
DEC = 6 Speed Manual  
DBB = All Manual Transmissions

AR = use ase required - = Non illustrated part

2005 ZB

Wiring - Engine and Related Parts  
Figure 8-1205

ITEM	PART NUMBER	QTY	LINE	SERIES	BODY	ENGINE	TRANS	TRIM	DESCRIPTION
1	05030250AB	1				EWC			WIRING, Engine
2	04848779AC	2				EWC			BRACKET, Wire Harness
3	05029676AA	1							WIRING, Engine Ground
4	05030503AA	1			27				WIRING, Transmission



VIPER (ZB)

SERIES  
S = SRT-10  
X = Coupe

LINE  
D = DODGE

BODY  
27 = 2-DR CONVERTIBLE  
29 = SPECIALTY COUPE

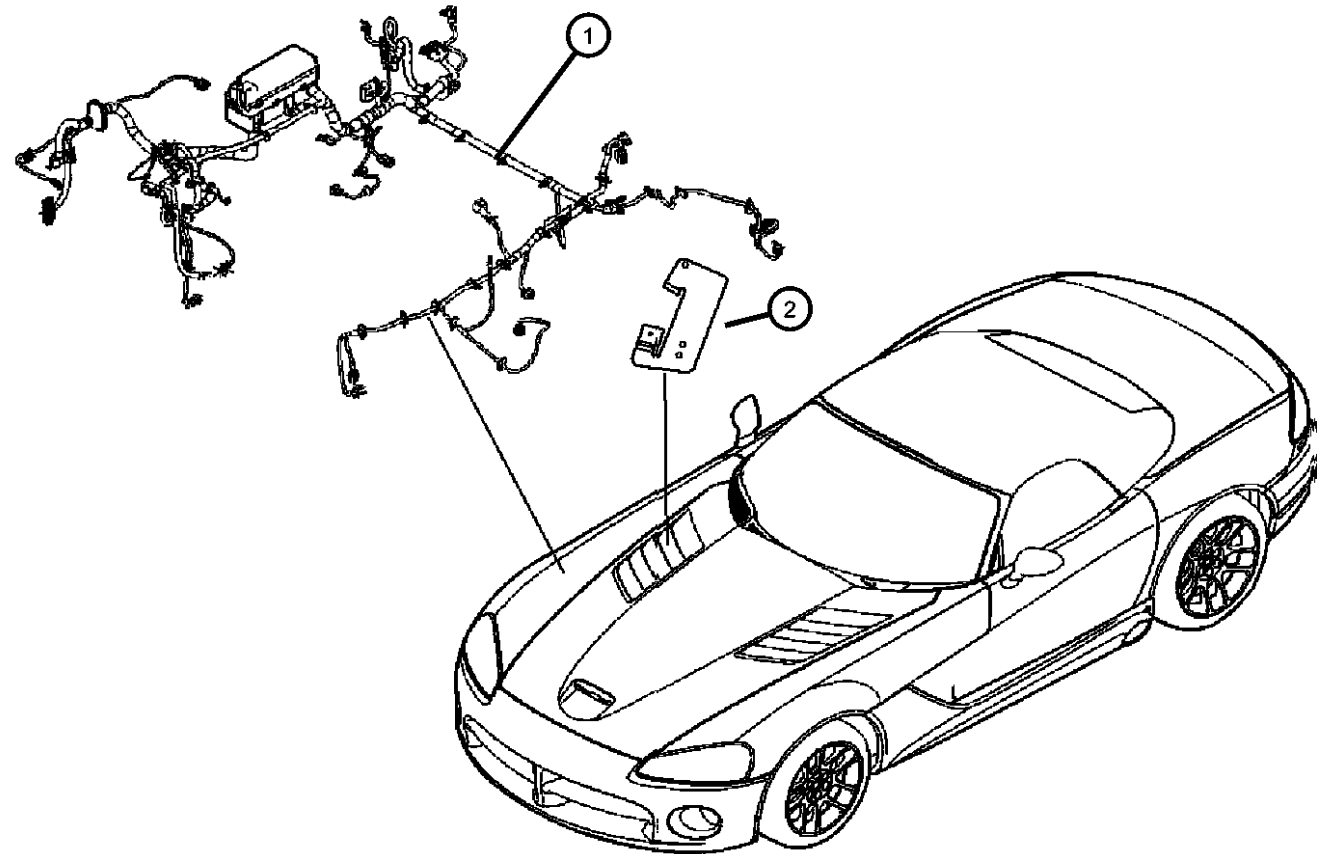
ENGINE  
EWC = Engine - 8.3L V10 SFI  
TRANSMISSION  
DEC = 6 Speed Manual  
DBB = All Manual Transmissions

AR = use ase required - = Non illustrated part

2005 ZB

**Wiring - Headlamp to Dash**  
**Figure 8-1305**

ITEM	PART NUMBER	QTY	LINE	SERIES	BODY	ENGINE	TRANS	TRIM	DESCRIPTION
1									WIRING, Headlamp and Dash
	05029680AC	1							
	05029914AB	1							Canada and Mexico
	05030192AA	1							Export
2	05029211AC	1							BRACKET, Wiring Harness



**VIPER (ZB)**

SERIES  
 S = SRT-10  
 X = Coupe

LINE  
 D = DODGE

BODY  
 27 = 2-DR CONVERTIBLE  
 29 = SPECIALTY COUPE

ENGINE  
 EWC = Engine - 8.3L V10 SFI

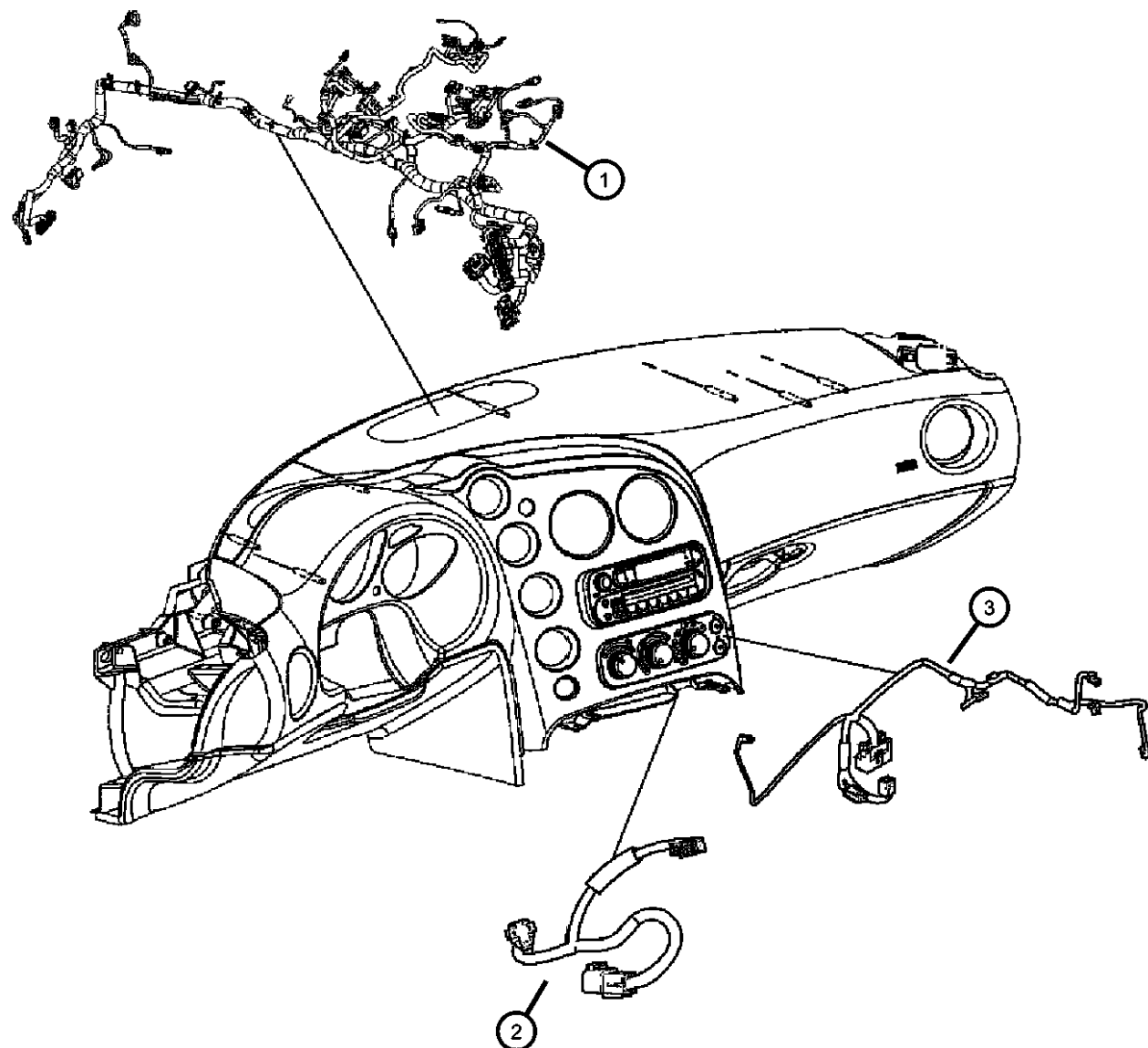
TRANSMISSION  
 DEC = 6 Speed Manual  
 DBB = All Manual Transmissions

AR = use ase required - = Non illustrated part

2005 ZB

Wiring - Instrument Panel  
Figure 8-1405

ITEM	PART NUMBER	QTY	LINE	SERIES	BODY	ENGINE	TRANS	TRIM	DESCRIPTION
1	05029909AB	1							WIRING, Instrument Panel Up to 07/07/04
	05029909AC	1							After 07/07/04
	05030137AA	1							Export
2	05030500AA	1			27				WIRING, Console
3	05030504AA	1							WIRING, A/C and HEATER



VIPER (ZB)

SERIES  
S = SRT-10  
X = Coupe

LINE  
D = DODGE

BODY  
27 = 2-DR CONVERTIBLE  
29 = SPECIALTY COUPE

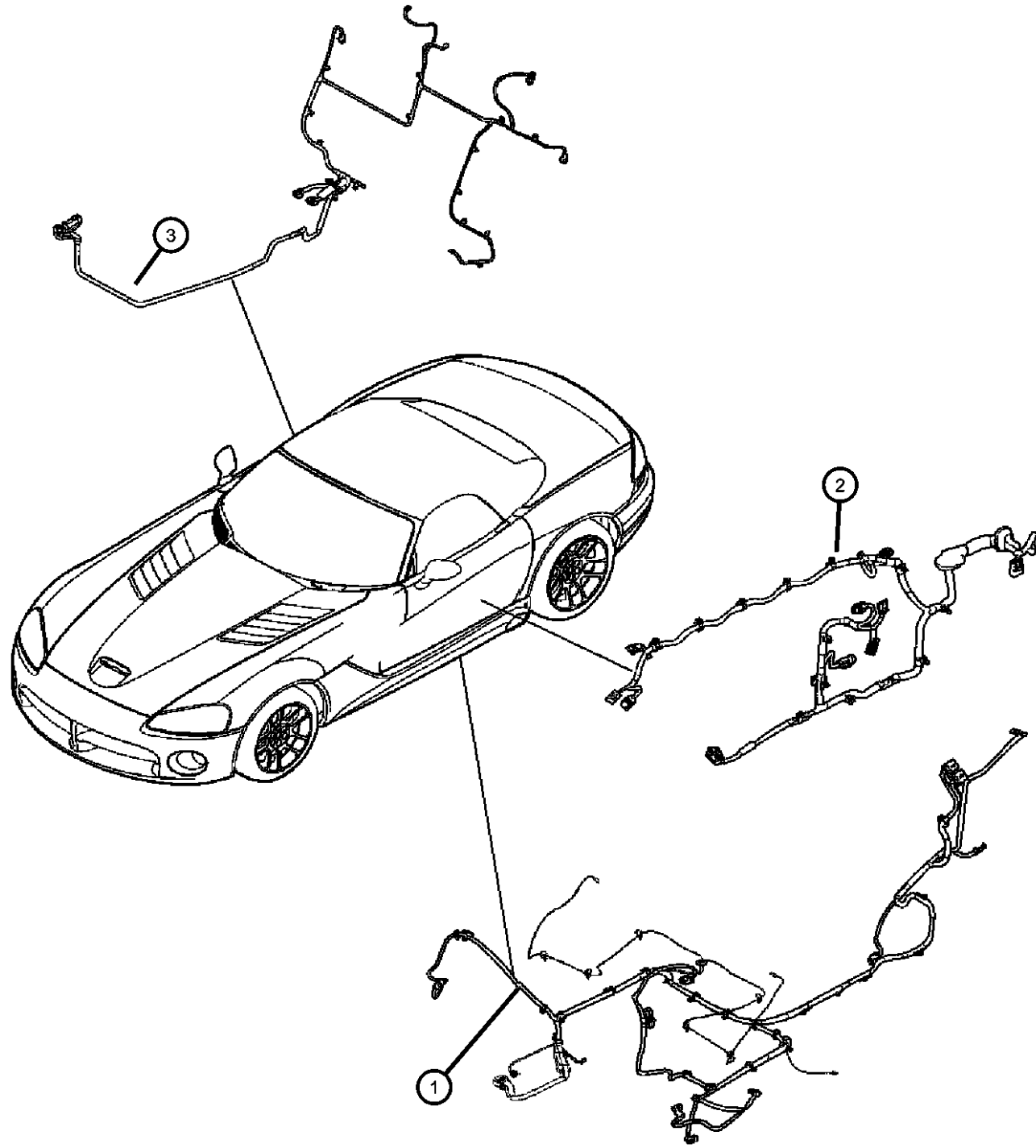
ENGINE  
EWC = Engine - 8.3L V10 SFI

TRANSMISSION  
DEC = 6 Speed Manual  
DBB = All Manual Transmissions

AR = use ase required - = Non illustrated part

2005 ZB

**Wiring - Body and Accessories**  
**Figure 8-1505**



ITEM	PART NUMBER	QTY	LINE	SERIES	BODY	ENGINE	TRANS	TRIM	DESCRIPTION
1	05029946AA	1			27				WIRING, Body Under body
	05030193AA	1			27				Under body, Export
2	05029927AB	1			27				WIRING, Door Left
	05030502AA	1			27				Right
3	05029919AA	1			27				WIRING, Body, Right side body

**VIPER (ZB)**

SERIES  
 S = SRT-10  
 X = Coupe

LINE  
 D = DODGE

BODY  
 27 = 2-DR CONVERTIBLE  
 29 = SPECIALTY COUPE

ENGINE  
 EWC = Engine - 8.3L V10 SFI

TRANSMISSION  
 DEC = 6 Speed Manual  
 DBB = All Manual Transmissions

AR = use ase required - = Non illustrated part

2005 ZB

**Connector Repair Package  
Figure 8-1605**

ITEM	PART NUMBER	QTY	LINE	SERIES	BODY	ENGINE	TRANS	TRIM	DESCRIPTION
-1	05029919AA	1							WIRING PACKAGE, Underhood Connector Repair, For Electrical Connector Repair Information visit the World Wide Web at <a href="http://dto.vftis.com/mopar/disclaimer.asp">http://dto.vftis.com/mopar/disclaimer.asp</a> , (NOT SERVICED)
-2									
	05029027AB	1							STRAP, Ground, For Electrical Connector Repair Information visit the World Wide Web at <a href="http://dto.vftis.com/mopar/disclaimer.asp">http://dto.vftis.com/mopar/disclaimer.asp</a>
	05029214AB	1							
-3									Hood Silencer Pad
	05019916AB	1							WIRING KIT, 3 Way, Female
	05161929AA	1							Lighter outlet
									Speakers

For Electrical Connector Repair Information visit the World Wide Web at

<http://dto.vftis.com/mopar/disclaimer.asp>

**VIPER (ZB)**

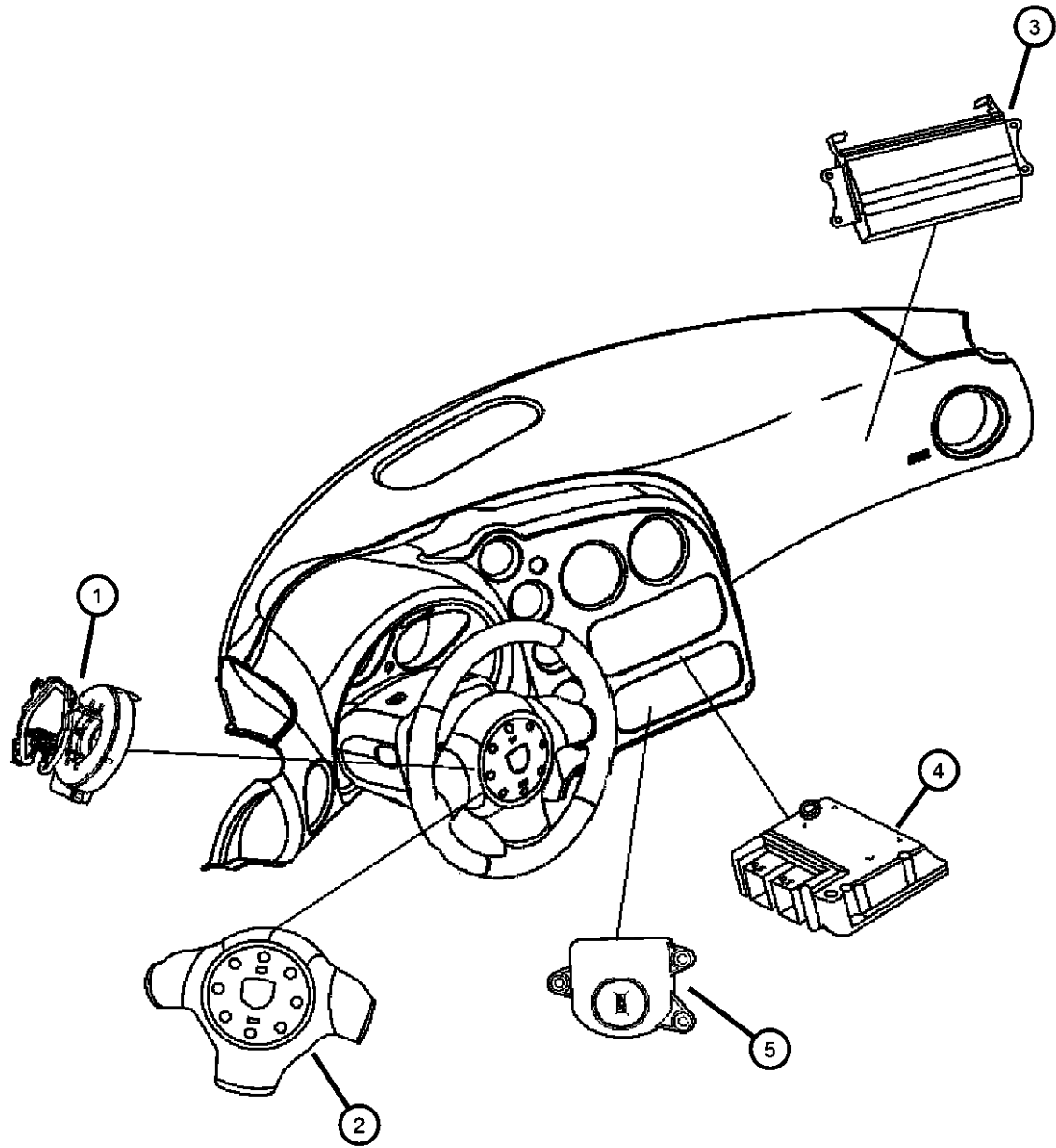
SERIES	LINE	BODY	ENGINE	TRANSMISSION
S = SRT-10	D = DODGE	27 = 2-DR CONVERTIBLE	EWC = Engine - 8.3L V10 SFI	DEC = 6 Speed Manual
X = Coupe		29 = SPECIALTY COUPE		DBB = All Manual Transmissions

AR = use ase required - = Non illustrated part

2005 ZB

**Air Bag System  
Figure 8-1705**

ITEM	PART NUMBER	QTY	LINE	SERIES	BODY	ENGINE	TRANS	TRIM	DESCRIPTION
1	04671789AE	1							CLOCKSPRING
2									AIR BAG, Driver
	0TQ871XRAC	1			27				[XR]
	0TQ87DX9AC	1							[X9]
3	04865531AD	1							AIR BAG, Passenger
4	04865582AB	1							MODULE, Air Bag Control
5	04865875AA	1							SWITCH, Passenger Airbag Disarm



**VIPER (ZB)**

SERIES  
S = SRT-10  
X = Coupe

LINE  
D = DODGE

BODY  
27 = 2-DR CONVERTIBLE  
29 = SPECIALTY COUPE

ENGINE  
EWC = Engine - 8.3L V10 SFI

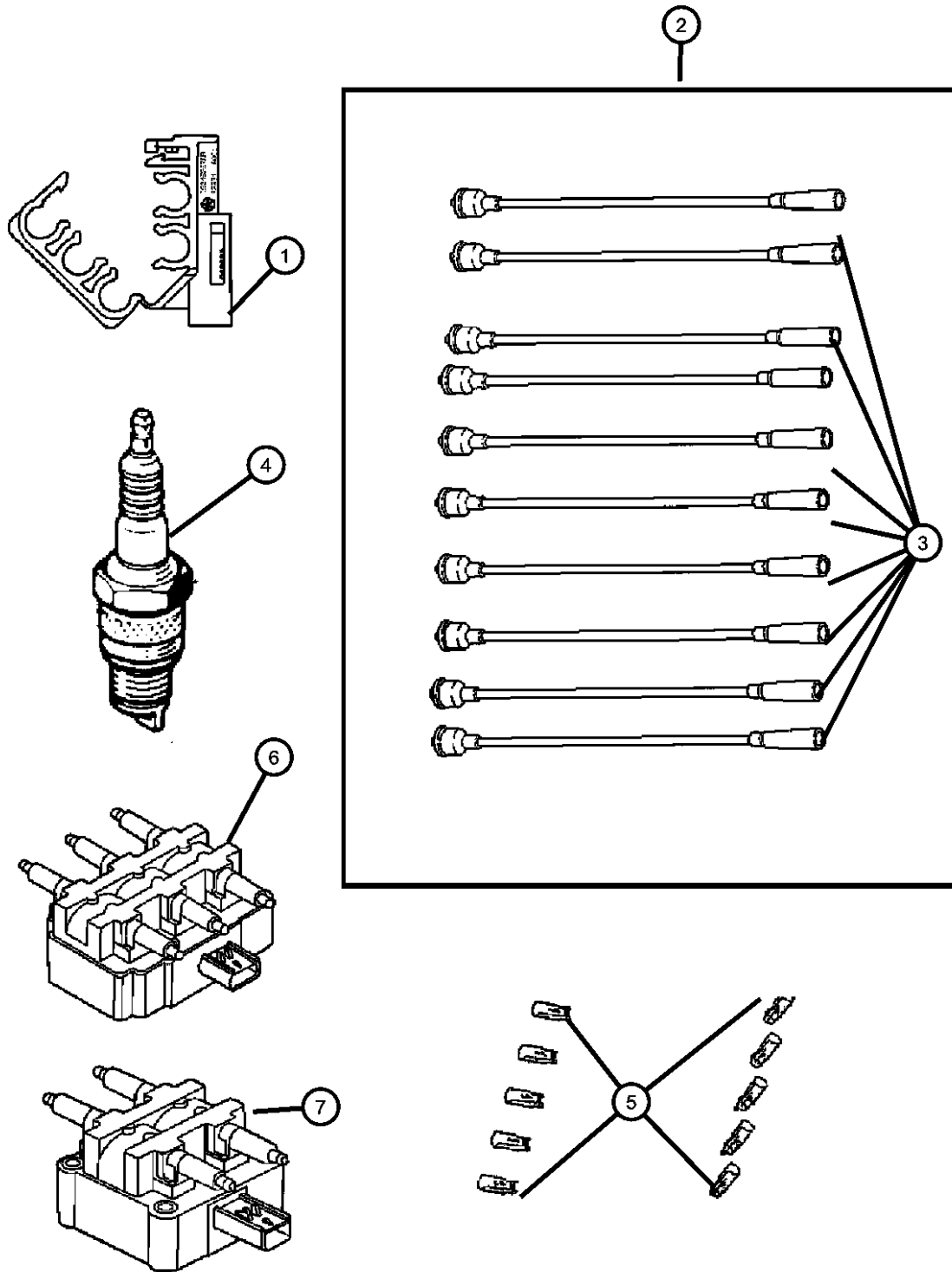
TRANSMISSION  
DEC = 6 Speed Manual  
DBB = All Manual Transmissions

AR = use ase required - = Non illustrated part

2005 ZB



Spark Plugs - Cables - Coil  
Figure 8-1905



ITEM	PART NUMBER	QTY	LINE	SERIES	BODY	ENGINE	TRANS	TRIM	DESCRIPTION
EWB=8.0L V10 SFI									
1	04865875AA	1							SEPERATOR, Ignition Cable, (NOT REQUIRED)
2									CABLE PACKAGE, Ignition
	05135171AA	1				EWC			Up to 07/01/04
	05166556AA	1				EWC			After 07/01/04
3									CABLE, Ignition
	05029644AA	1				EWC			[#1]
	05029645AA	1				EWC			[#3]
	05029647AA	1				EWC			[#7]
	05029648AB	1				EWC			[#5]
	05029650AA	1				EWC			[#2]
	05029651AA	1				EWC			[#4]
	05029652AA	1				EWC			[#6]
	05029653AA	1				EWC			[#8]
	05029654AA	1				EWC			[#10]
4	SP0RC12ECC	10				EWC			SPARK PLUG
5	05037104AB	10				EWC			SHIELD, Heat
6	56029098AA	1				EWC			COIL, Ignition, 6 post
7	56032521AB	1				EWC			COIL, Ignition, 4 post
-8	06034526	8				EWC			SCREW AND WASHER, Ignition coil mounting
-9	00154777	8				EWC			SCREW AND WASHER, Hex Head, .25-20x1.00, Ignition coil mounting

VIPER (ZB)

SERIES	LINE	BODY	ENGINE	TRANSMISSION
S = SRT-10	D = DODGE	27 = 2-DR CONVERTIBLE	EWC = Engine - 8.3L V10 SFI	DEC = 6 Speed Manual
X = Coupe		29 = SPECIALTY COUPE		DBB = All Manual Transmissions

AR = use ase required - = Non illustrated part

# Group - 08A

## Instrument Panel and Radios and Consoles

## Group - 08A Instrument Panel and Radios and Consoles

Illustration Title

Group-Fig. No.

### Instrument Panel

Instrument Panel ..... Fig. 08A - 110

### Instrument Panel Cluster

Instrument Cluster..... Fig. 08A - 210

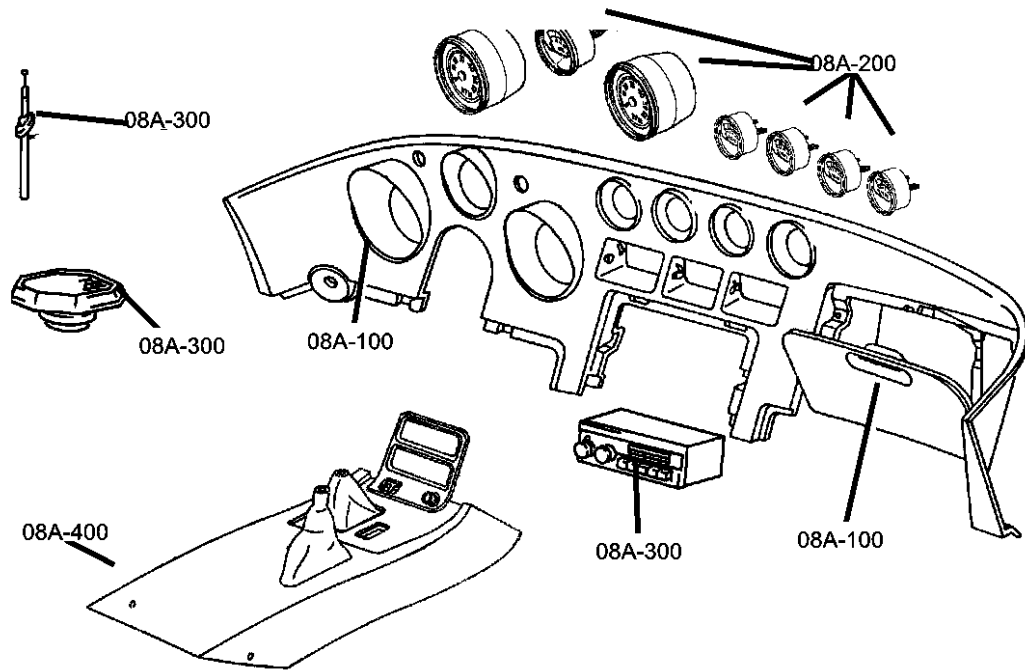
### Radio, Antenna, and Speakers

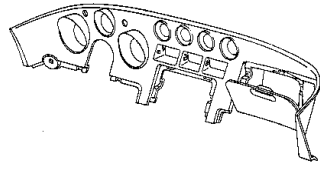
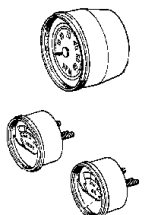
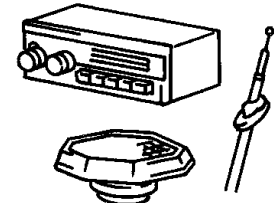
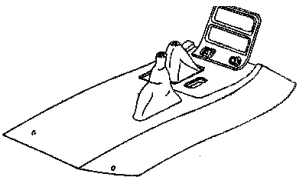
Radio..... Fig. 08A - 310

Antenna-Speakers ..... Fig. 08A - 330

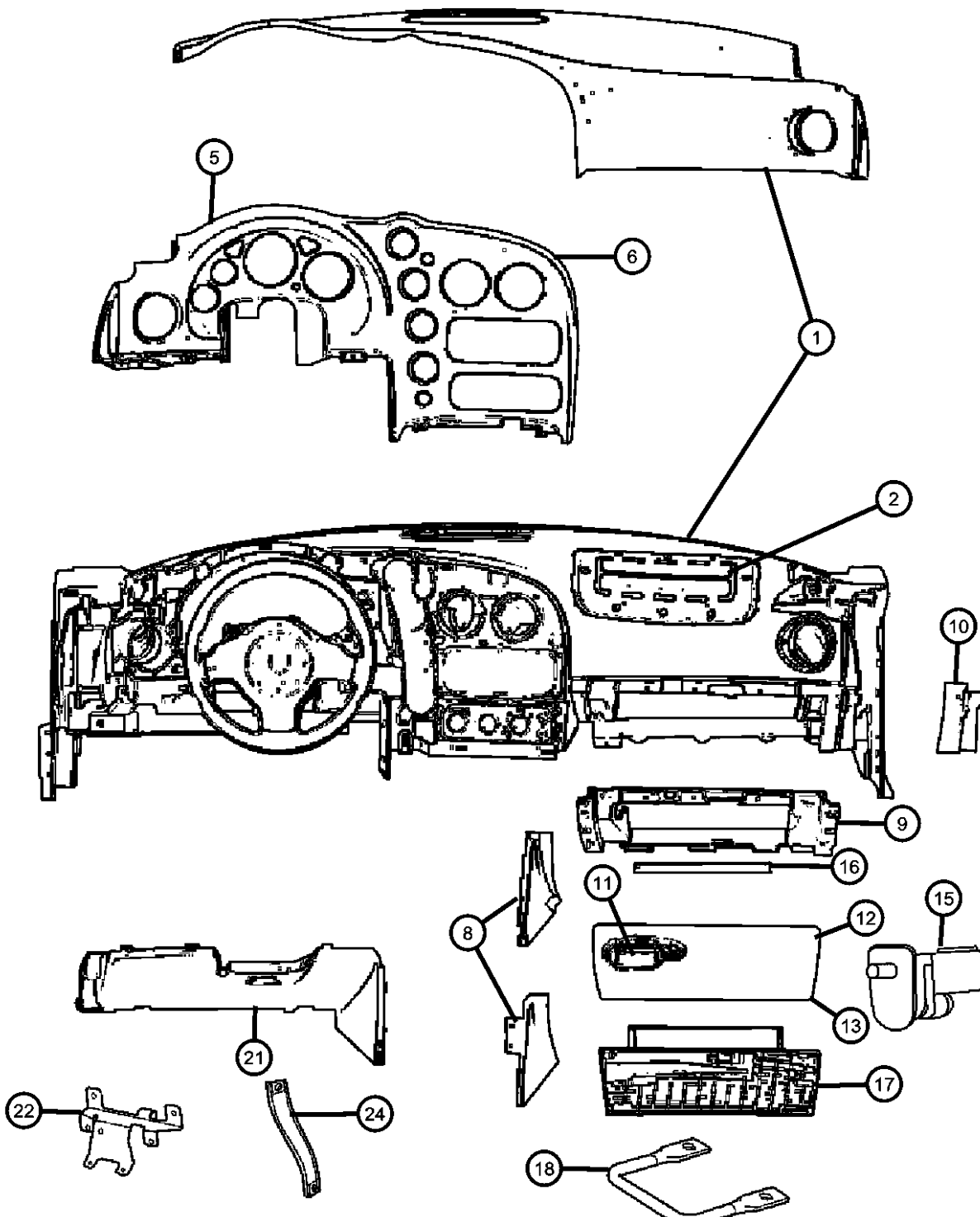
### Consoles

Floor Console..... Fig. 08A - 410



<p><b>08A-100</b> Instrument Panel</p> 	<p><b>08A-200</b> Instrument Panel Cluster</p> 	<p><b>08A-300</b> Radio, Antenna, and Speakers</p> 	<p><b>08A-400</b> Consoles</p> 
---	--	---	--

Instrument Panel  
Figure 08A-110

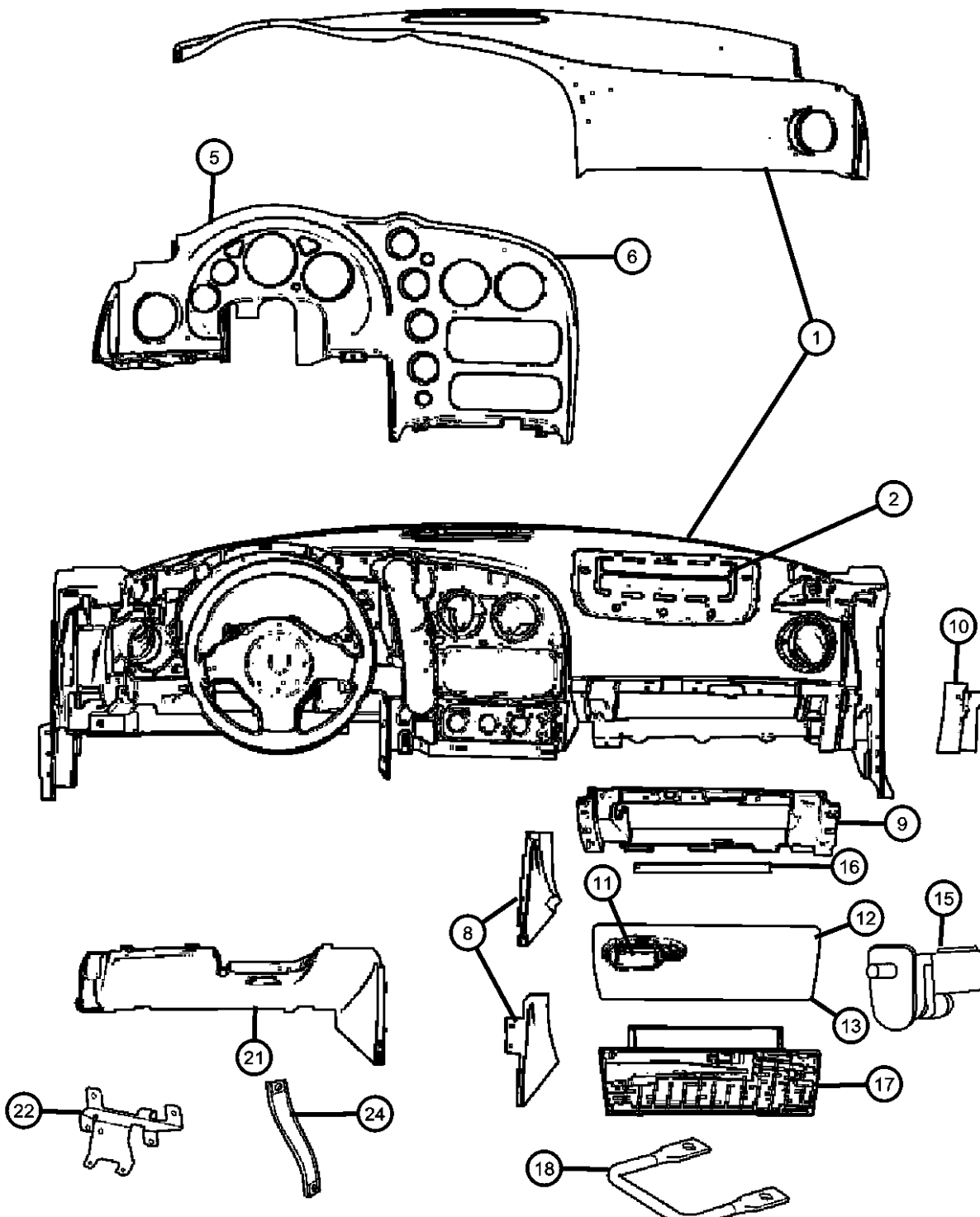


ITEM	PART NUMBER	QTY	LINE	SERIES	BODY	ENGINE	TRANS	TRIM	DESCRIPTION
1									INSTRUMENT PANEL AND PAD, Upper
	0TS33DX9AB	1							Canada, Mexico
2									AIR BAG, Passenger
	04865531AD	1							Canada, Mexico
-3									CHUTE, Airbag
	04865530AA	1							Canada, Mexico
-4									SUPPORT, Instrument Panel
	04865532AA	1							Canada, Mexico
5									BEZEL, Instrument Cluster
	0WA87DX9AA	1							Canada, Mexico
6									BEZEL, Instrument Panel, Center
	0XT231X9AA	1							Canada, Mexico
	0XT231ZAAA	1							[ACC]
	0XT231XRAA	1							[XR]
-7									BEZEL, Instrument Panel
	0UB76DX9AA	1							PANEL, Instrument
8									PANEL, Instrument
	0XT191X9AA	1							Canada, Mexico
9									PANEL, Instrument
	0XT211X9AA	1							Canada, Mexico
10									PANEL, Instrument
	04865866AA	1							Canada, Mexico
11									LATCH, Glovebox Door
	0QN25DX9AB	1							Canada, Mexico
12									DOOR, Glove Box
	0XT271X9AA	1							Canada, Mexico

VIPER (ZB)  
 SERIES LINE BODY ENGINE TRANSMISSION  
 S = SRT-10 D = DODGE 27 = 2-DR CONVERTIBLE EWC = Engine - 8.3L V10 SFI DEC = 6 Speed Manual  
 X = Coupe 29 = SPECIALTY COUPE DBB = All Manual Transmissions

AR = use ase required - = Non illustrated part

Instrument Panel  
Figure 08A-110



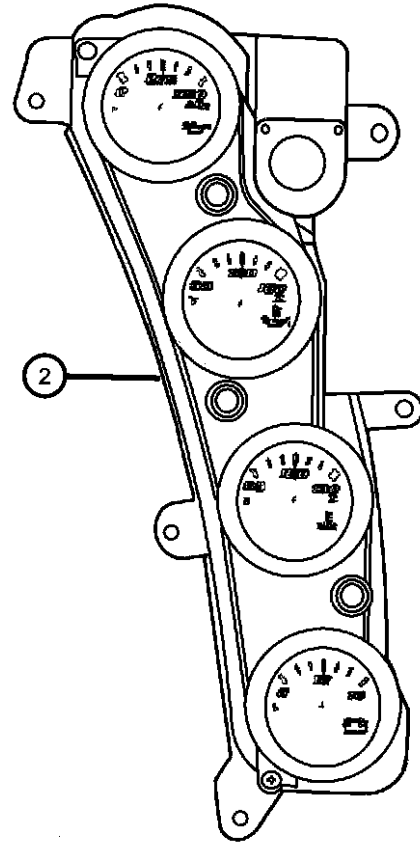
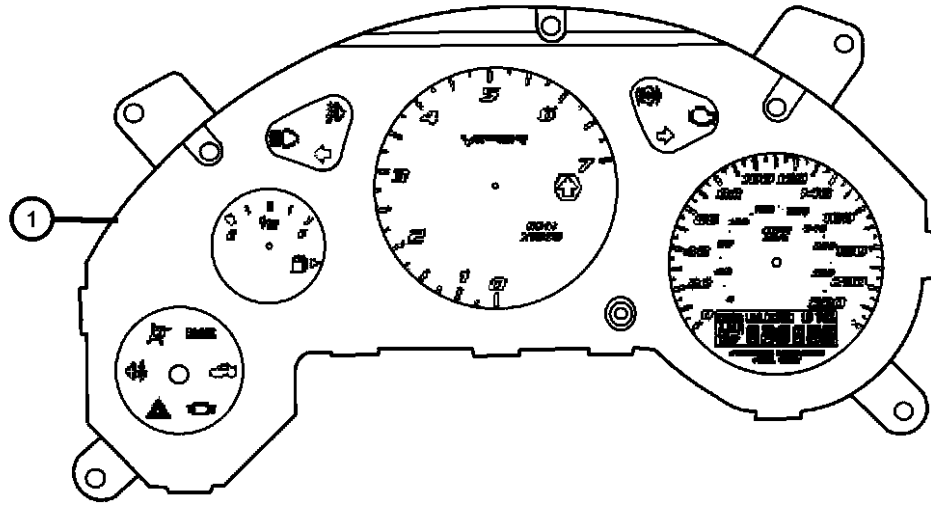
ITEM	PART NUMBER	QTY	LINE	SERIES	BODY	ENGINE	TRANS	TRIM	DESCRIPTION
13	04865536AA	1							PANEL, Glove Box
		1							Canada, Mexico
-14	04524343	2							BUMPER, Glove Box Door
		2							Canada, Mexico
15	04565022	1							SWITCH AND LAMP, Glove Box
		1							Canada, Mexico
16	04865537AB	1							HINGE, Glovebox
		1							Canada, Mexico
17	05029142AA	1							BIN, Glove box
		1							Canada, Mexico
18	04698884	1							STRIKER, Glove Box Door Latch
		1							Canada, Mexico
-19	06034833	3							CLIP, Push, .164-7.5
		2							Canada, Mexico
-20	04678070	1							STRAP, Glove Box
		1							Canada, Mexico
21	0XT29DX9AA	1							COVER, Instrument Panel, Steering Column Opening [X9]
	0XT29SR1AA	1							[XR]
22	05029016AA	1							BRACKET, Relay
		1							Canada, Mexico
-23	0TV67DX9AA	1							GRILLE, Speaker Tweeter, Left
	0TV68DX9AA	1							Tweeter, Right
24	05029098AA	1							BRACE, Instrument Panel to Floor

VIPER (ZB)  
 SERIES LINE BODY ENGINE TRANSMISSION  
 S = SRT-10 D = DODGE 27 = 2-DR CONVERTIBLE EWC = Engine - 8.3L V10 SFI DEC = 6 Speed Manual  
 X = Coupe 29 = SPECIALTY COUPE DBB = All Manual Transmissions

AR = use ase required - = Non illustrated part

**Instrument Cluster  
Figure 08A-210**

ITEM	PART NUMBER	QTY	LINE	SERIES	BODY	ENGINE	TRANS	TRIM	DESCRIPTION
1									CLUSTER, Instrument Panel
	05029721AB	1							[JAA]
	05029722AB	1							[JAA] Canada and Mexico
	05029722AC	1							[JAA,JDW], Export
	05029765AA	1							[JAA,JCJ], Export
2									GAUGE PACK
	05029636AA	1							Canada, Mexico
	05029637AA	1							Canada, Mexico
-3									SCREW, Tapping
	06101946	1							Canada, Mexico
-4	05093045AA	1							LENS, Instrument Cluster
-5									BULB, Instrument Panel
	05093040AA	1							12V 1.7 Watt Blue Socket 5 in Cluster 4 in Gage Pack
	05093041AA	1							LCD Bulb 14V 1.4 Watt 1 in Cluster
	05093042AA	1							Tellrale Bulb 14V 1.4 Watt 6 in Cluster



**VIPER (ZB)**

SERIES

S = SRT-10

X = Coupe

LINE

D = DODGE

BODY

27 = 2-DR CONVERTIBLE

29 = SPECIALTY COUPE

ENGINE

EWC = Engine - 8.3L V10 SFI

TRANSMISSION

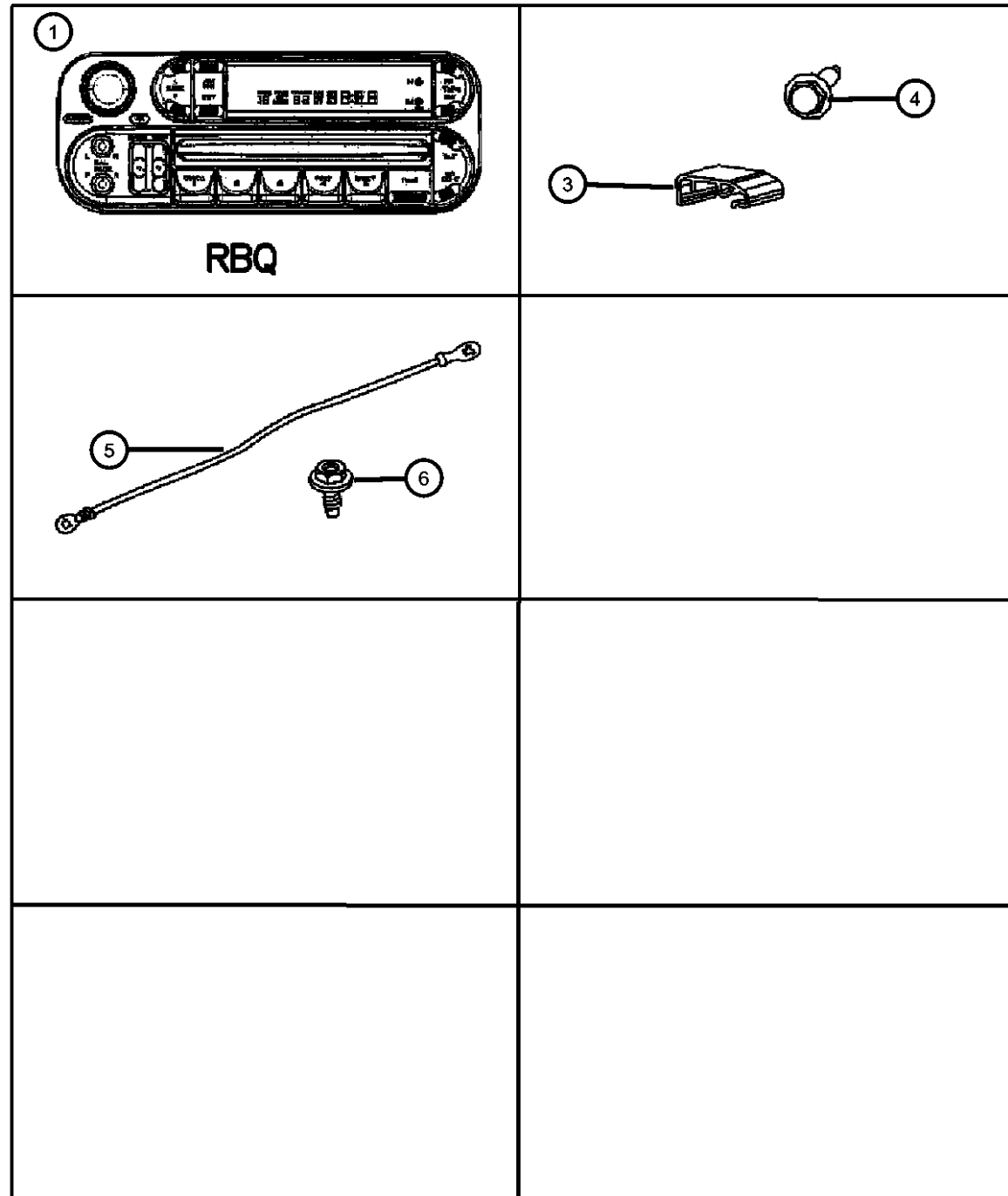
DEC = 6 Speed Manual

DBB = All Manual Transmissions

AR = use ase required - = Non illustrated part

2005 ZB

**Radio**  
**Figure 08A-310**



ITEM	PART NUMBER	QTY	LINE	SERIES	BODY	ENGINE	TRANS	TRIM	DESCRIPTION
------	-------------	-----	------	--------	------	--------	-------	------	-------------

Notes:

[RBQ] = Radio - AM/FM CD, 6 Disc

1	05091507AB	1							
-2	05091610AB	1							
3	04865532AA	1							
4	06101946	4							
5	05029027AB	1							
6	06506210AA	1							
-7	04793468	2							

RADIO, AM/FM with CD and Equalizer, [RBQ]  
 RADIO, AM/FM with CD, [REK]  
 SUPPORT, Instrument Panel  
 Canada, Mexico  
 SCREW, Tapping, Attach  
 STRAP, Ground  
 SCREW, M6x2.25x19.25  
 CLIP, Tie Wrap Type XMas Tree

**VIPER (ZB)**

SERIES  
 S = SRT-10  
 X = Coupe

LINE  
 D = DODGE

BODY  
 27 = 2-DR CONVERTIBLE  
 29 = SPECIALTY COUPE

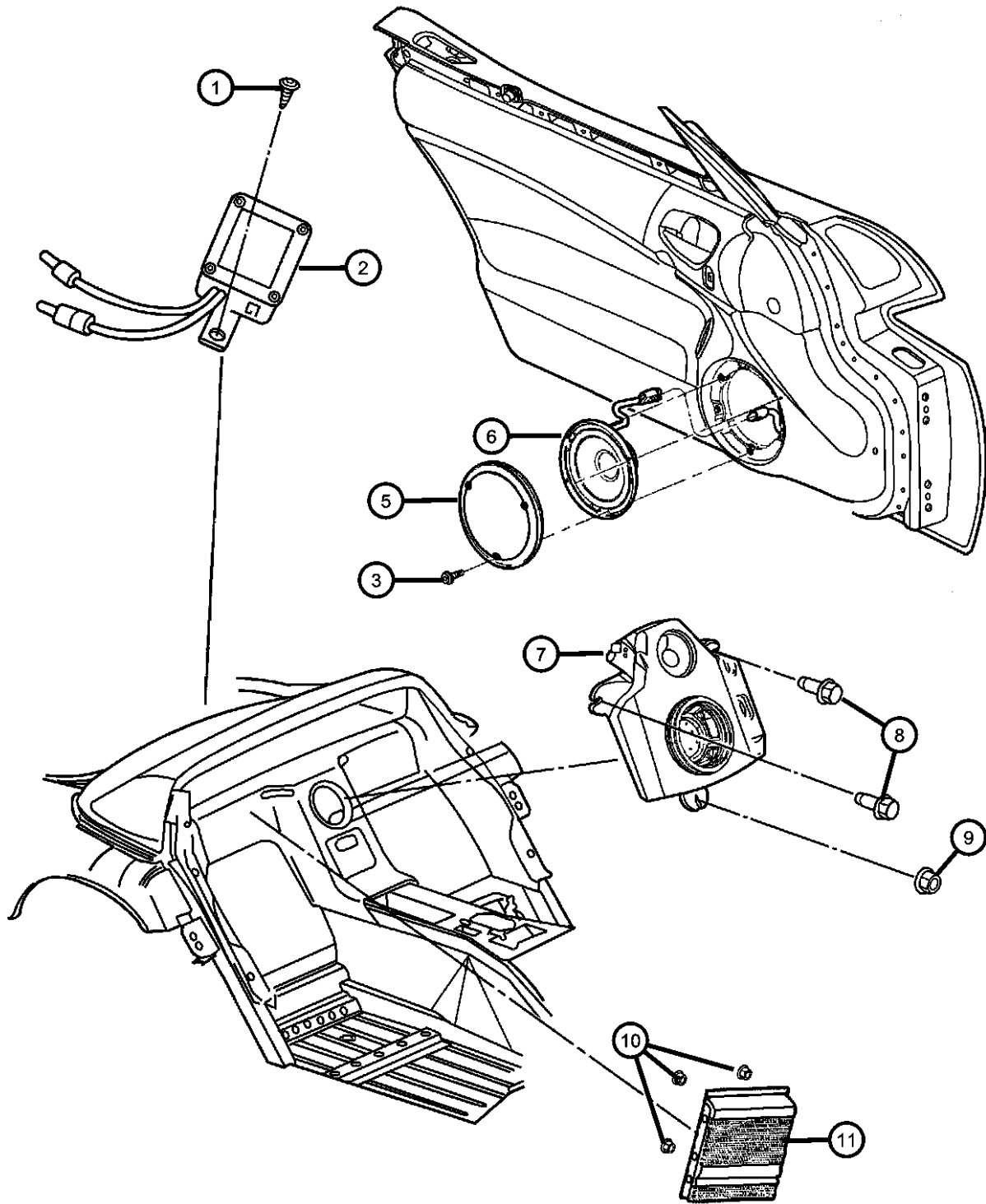
ENGINE  
 EWC = Engine - 8.3L V10 SFI

TRANSMISSION  
 DEC = 6 Speed Manual  
 DBB = All Manual Transmissions

AR = use ase required - = Non illustrated part

2005 ZB

Antenna-Speakers  
Figure 08A-330



ITEM	PART NUMBER	QTY	LINE	SERIES	BODY	ENGINE	TRANS	TRIM	DESCRIPTION
1	06101826	1							SCREW, M6x1x20
2	04815551AC	1							Canada, Mexico MODULE, Radio Antenna
3		1							Canada, Mexico SCREW, [0.164-18x1.], (NOT SERVICED), BRACKET, Speaker
-4	05083940AA	1							GRILLE, Speaker, Door Speakers
5	0SL12DX9AA	2							SPEAKER, Door
6	05029994AA	2							SPEAKER, Sub Woofer
7	04865995AE	1							SCREW AND WASHER, Head Head Lock, M8-1.25x30.00, (NOT SERVICED)
8	04865995AE	1							BOLT, Subwoofer Mounting Side, Right & Left
9	06102067AA	2			27				NUT, Remote Amp to Floor Pan
10	06104726AB	3							AMPLIFIER, Radio
11	04865994AE	1							SPEAKER, Tweeter
-12	04865745AC	2							Canada, Mexico GRILLE, Speaker
-13	0TV67DX9AA	1							Left
	0TV68DX9AA	1							Right
	0UX00DX9AA	1							Subwoofer mounting
	0WC09DX9AA	1							SPEAKER, Rear
-14	04865939AA	2							

VIPER (ZB)

SERIES  
S = SRT-10  
X = Coupe

LINE  
D = DODGE

BODY  
27 = 2-DR CONVERTIBLE  
29 = SPECIALTY COUPE

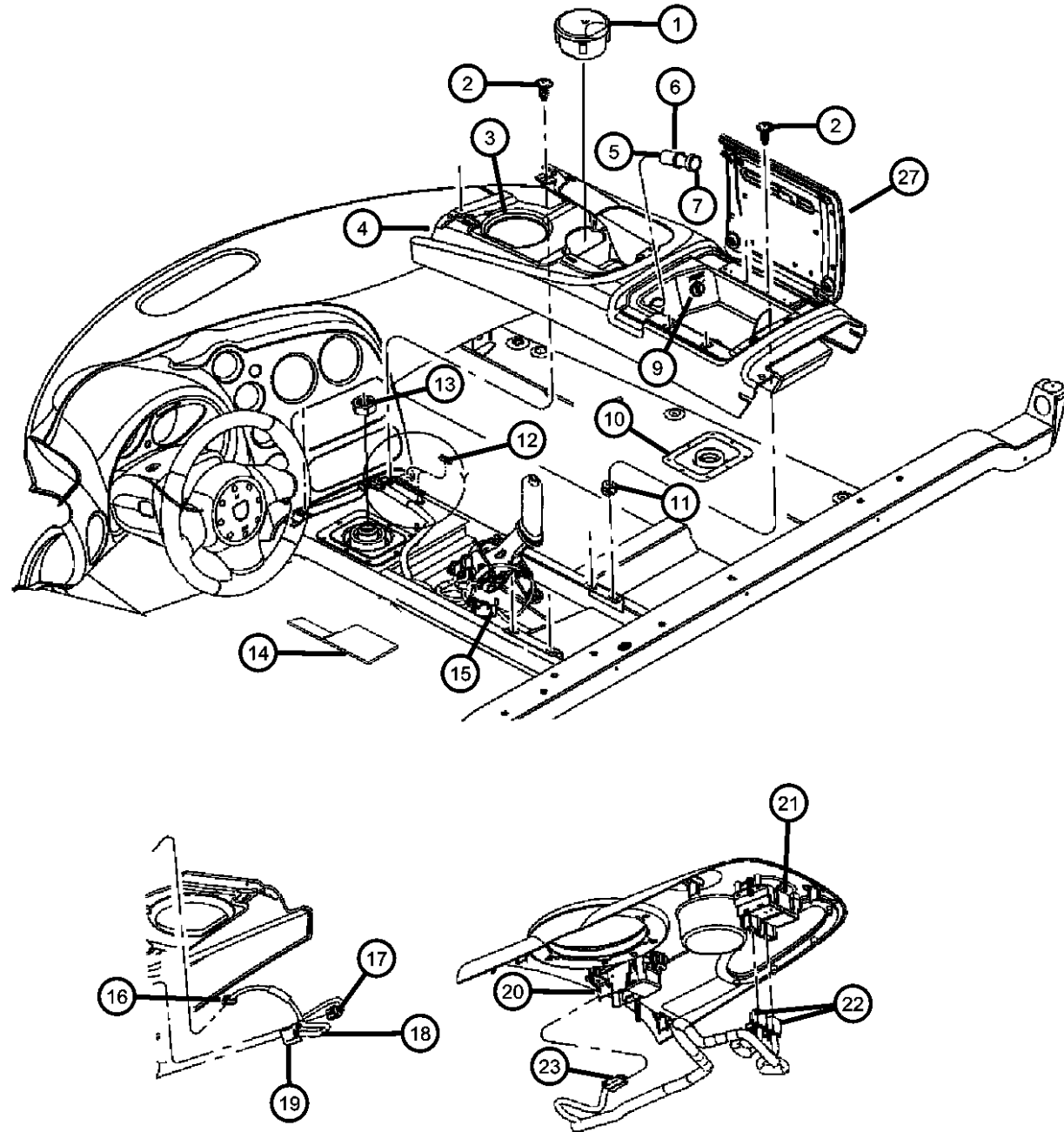
ENGINE  
EWC = Engine - 8.3L V10 SFI

TRANSMISSION  
DEC = 6 Speed Manual  
DBB = All Manual Transmissions

AR = use ase required - = Non illustrated part

2005 ZB

Floor Console  
Figure 08A-410



ITEM	PART NUMBER	QTY	LINE	SERIES	BODY	ENGINE	TRANS	TRIM	DESCRIPTION
1	05029529AA	1							ASH RECEIVER, Floor Console
2	00153634	4							SCREW
3	05093230AA	1							RING, Shift Ring
4									BEZEL, Console Shifter
	1CH381VRAA	1							[AVH]
	1CH381X9AA	1							[AVA]
	1CH381YRAA	1							[ACC]
	1CH381ZBAA	1							[ACC]
5	04685370	1							KNOB AND ELEMENT, Cigar Lighter
6	04793555	1							RING, Cigar Lighter Mounting
7	05029097AD	1							BASE, Cigar Lighter
-8	05093227AA	1							HOUSING, Switch
9	04865875AA	1							SWITCH, Passenger Airbag Disarm
10									BOOT, Gearshift
	0XP191VRAA	1							[AVH]
	0XP191X9AA	1							[AVA]
	0XP191YRAA	1							[ACC]
	0XP191ZBAA	1							[ACC]
11	06032058	4							NUT, Snap In
12	04278662	2							SPACER
13	00124934	1							NUT, Hex Jam, .50-20
14	04865688AA	1							PAD, Tunnel
15	04865688AA	1							CONNECTOR, PIA with Wiring Assy., (NOT SERVICED)
16	04865688AA	1							CONNECTOR, Air Bag On/Off, (NOT SERVICED)
17	04865688AA	1							CONNECTOR, Cigar Lighter, (NOT SERVICED)
18	05030500AA	1				27			WIRING, Console
19	05030500AA	1							CONNECTOR, PIA with console Assy. Wiring, (NOT SERVICED)
20	05030500AA	1							POWER OUTLET, PIA With Bezel Assy., (NOT SERVICED)
21	04608633AD	2							SWITCH, Single Gang, Power Window
22	04608633AD	2							CONNECTOR, Window Switch, (NOT SERVICED)
23	04608633AD	2							CONNECTOR, Power Point, (NOT SERVICED)
-24	05093298AA	1							SCREW, Cap

VIPER (ZB)

SERIES      LINE  
S = SRT-10    D = DODGE  
X = Coupe

BODY  
27 = 2-DR CONVERTIBLE  
29 = SPECIALTY COUPE

ENGINE      TRANSMISSION  
EWC = Engine - 8.3L V10 SFI    DEC = 6 Speed Manual  
DBB = All Manual Transmissions

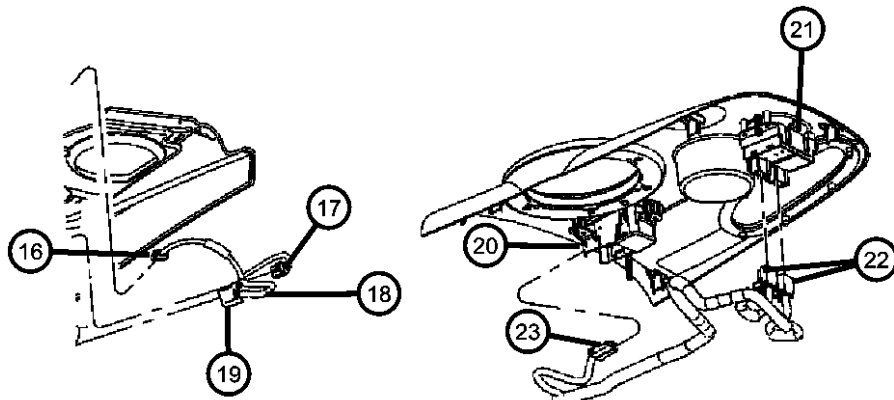
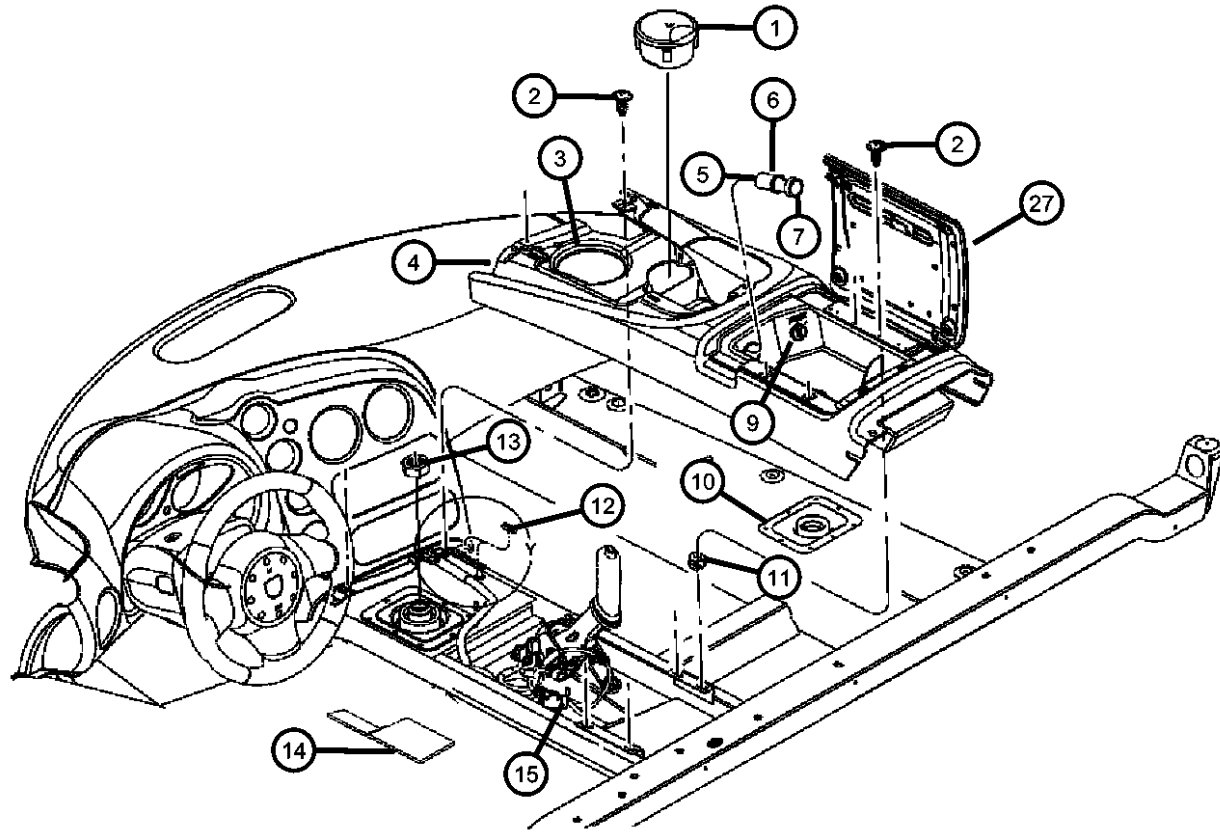
AR = use ase required    - = Non illustrated part

2005 ZB



Floor Console  
Figure 08A-410

ITEM	PART NUMBER	QTY	LINE	SERIES	BODY	ENGINE	TRANS	TRIM	DESCRIPTION
-25	06032452	3							SCREW, Self Piercing, .164-15x.625
-26									BOOT, Parking Brake Lever
	0XP201VRAA	1							[AVH]
	0XP201X9AA	1							[AVA]
	0XP201YRAA	1							[ACC]
	0XP201ZBAA	1							
27									LID, Center Console Storage
	0XN891XRAC	1			27				[XR]
	0XN89DX9AC	1			27				[X9]



VIPER (ZB)

SERIES  
S = SRT-10  
X = Coupe

LINE  
D = DODGE

BODY  
27 = 2-DR CONVERTIBLE  
29 = SPECIALTY COUPE

ENGINE  
EWC = Engine - 8.3L V10 SFI

TRANSMISSION  
DEC = 6 Speed Manual  
DBB = All Manual Transmissions

AR = use ase required - = Non illustrated part

2005 ZB

# Group - 9

## Engine Mounting

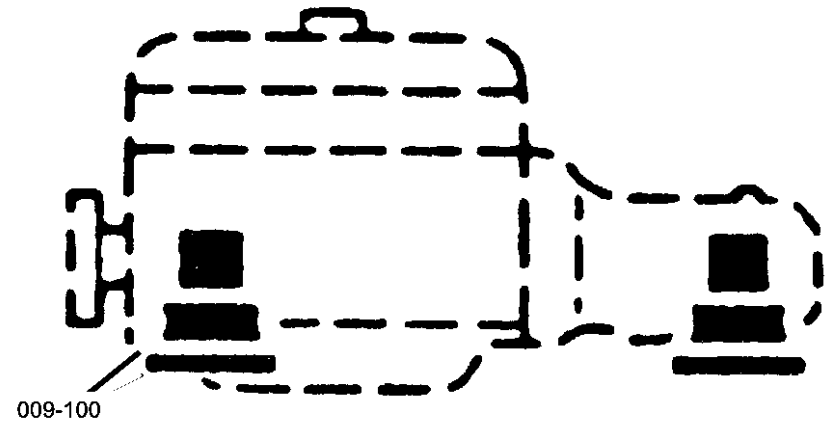
### Group - 9 Engine Mounting

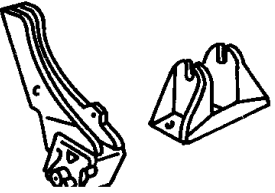
Illustration Title

Group-Fig. No.

#### Engine Mounting

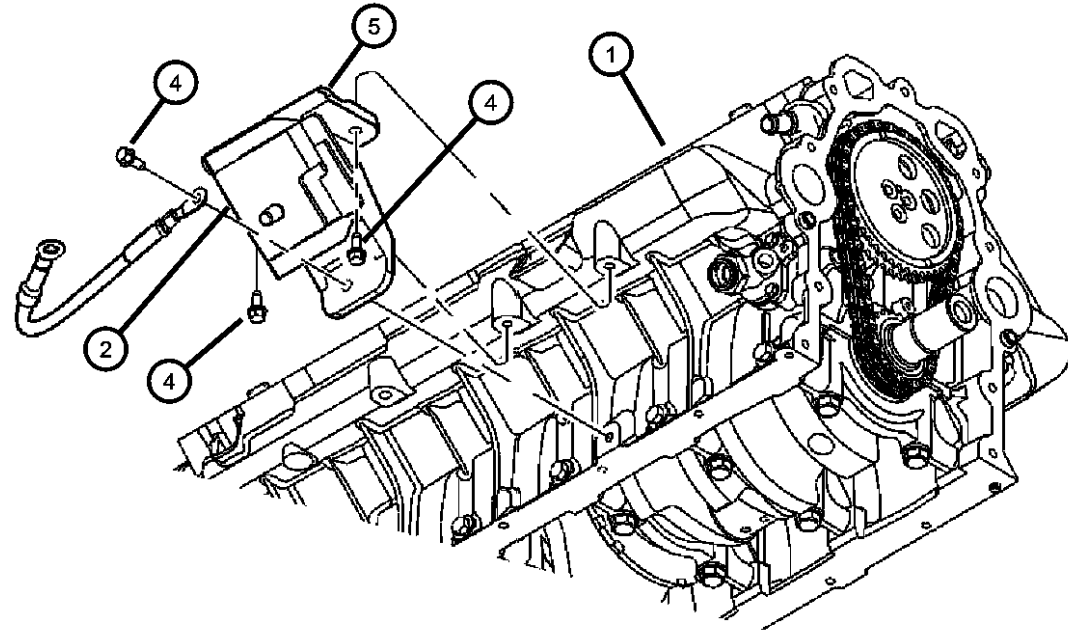
Mounts, Engine.....	Fig. 9 - 110
Engine Mount To Chasis.....	Fig. 9 - 120
Engine Mounting - Transmission.....	Fig. 9 - 130



<p><b>009-100</b> Engine Mounting</p> 			
--	--	--	--

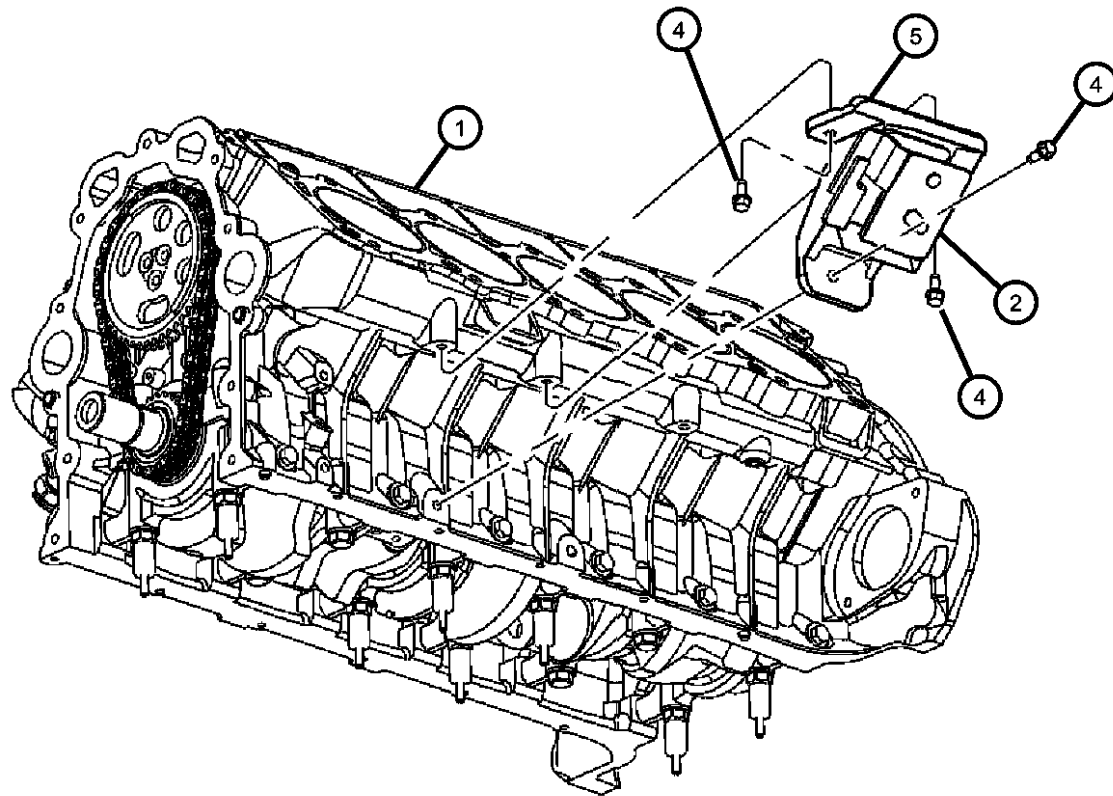
Mounts, Engine  
Figure 9-110

ITEM	PART NUMBER	QTY	LINE	SERIES	BODY	ENGINE	TRANS	TRIM	DESCRIPTION
------	-------------	-----	------	--------	------	--------	-------	------	-------------



NOTE:  
Sales Codes:  
[EWC]=8.3L V10 Engine

1	0XN89DX9AC	1							BLOCK, Engine Cylinder, (NOT SERVICED), INSULATOR, Engine Mount
2						EWC			Left
	04642617AB	1				EWC			Right
	04643530AB	1				EWC			
-3	06035864	1				EWC			NUT, Mount To Braket
4	00154935AA	6				EWC			SCREW, SCREW, Bracket To Block
5	05037298AA	1				EWC			BRACKET, Isolator
-6	04643546	1				EWC			SHIELD, Heat



VIPER (ZB)

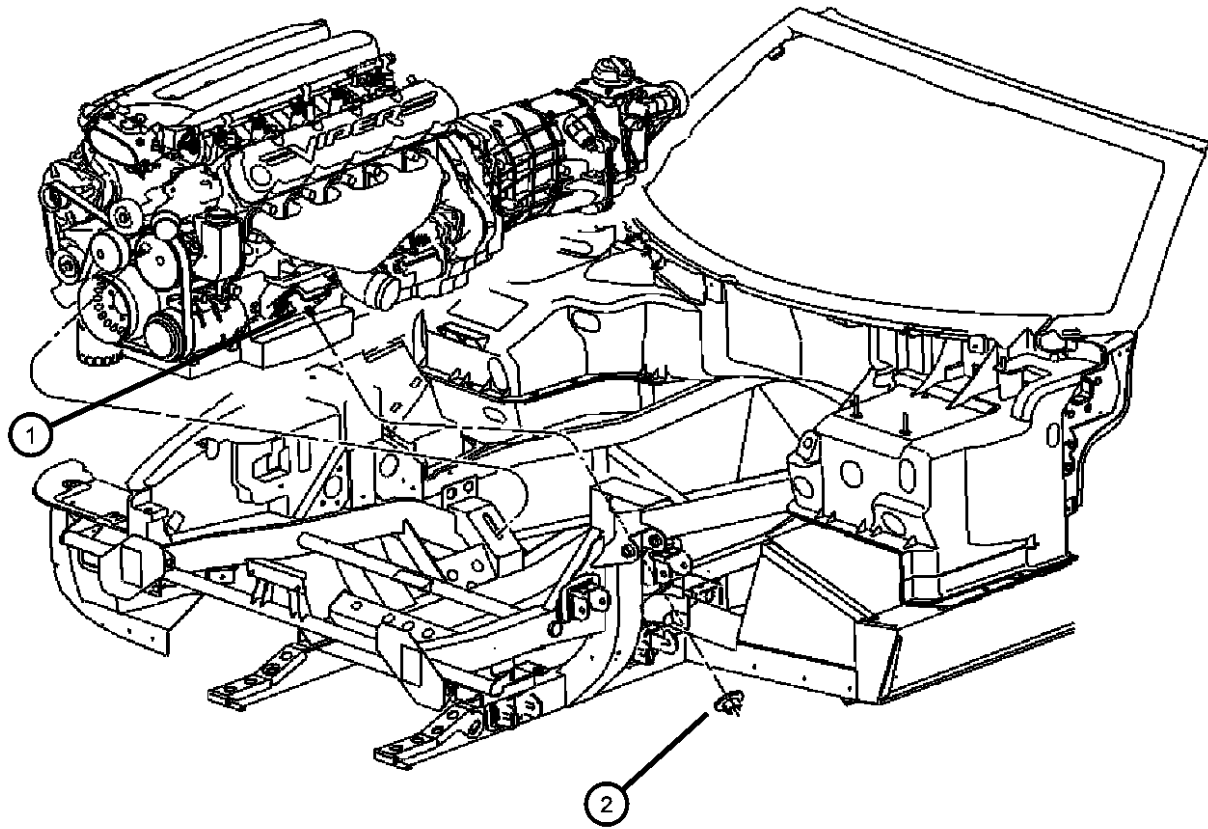
SERIES	LINE	BODY	ENGINE	TRANSMISSION
S = SRT-10	D = DODGE	27 = 2-DR CONVERTIBLE	EWC = Engine - 8.3L V10 SFI	DEC = 6 Speed Manual
X = Coupe		29 = SPECIALTY COUPE		DBB = All Manual Transmissions

AR = use ase required - = Non illustrated part

2005 ZB

**Engine Mount To Chassis  
Figure 9-120**

ITEM	PART NUMBER	QTY	LINE	SERIES	BODY	ENGINE	TRANS	TRIM	DESCRIPTION
1	04642617AB	1				EWC			INSULATOR, Engine Mount Left
	04643530AB	1				EWC			Right
2	06035864	2							NUT, Mount To Chassis



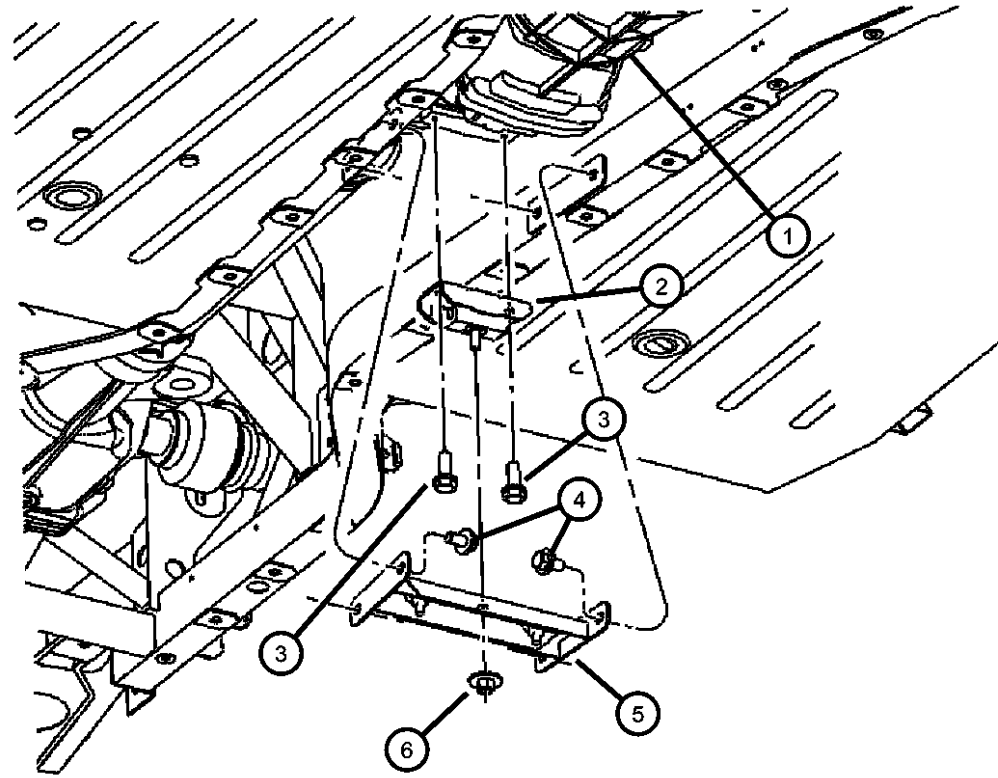
**VIPER (ZB)**

SERIES	LINE	BODY	ENGINE	TRANSMISSION
S = SRT-10	D = DODGE	27 = 2-DR CONVERTIBLE	EWC = Engine - 8.3L V10 SFI	DEC = 6 Speed Manual
X = Coupe		29 = SPECIALTY COUPE		DBB = All Manual Transmissions

AR = use ase required - = Non illustrated part

**Engine Mounting - Transmission**  
**Figure 9-130**

ITEM	PART NUMBER	QTY	LINE	SERIES	BODY	ENGINE	TRANS	TRIM	DESCRIPTION
1	06035864	2							TRANSMISSION, See Transmission Group, (NOT SERVICED)
2	04643318	1							MOUNT, Transmission
3	06501596	2							SCREW AND WASHER, Hex Head, M10x1.5x45
4	06101058	4							BOLT AND WASHER, Hex Head, M10x1.50x20
5	05037263AA	1							CROSSMEMBER, Transmission
6	06101761	1							NUT, Coned Washer, M10 x 1.50



**VIPER (ZB)**

SERIES  
 S = SRT-10  
 X = Coupe

LINE  
 D = DODGE

BODY  
 27 = 2-DR CONVERTIBLE  
 29 = SPECIALTY COUPE

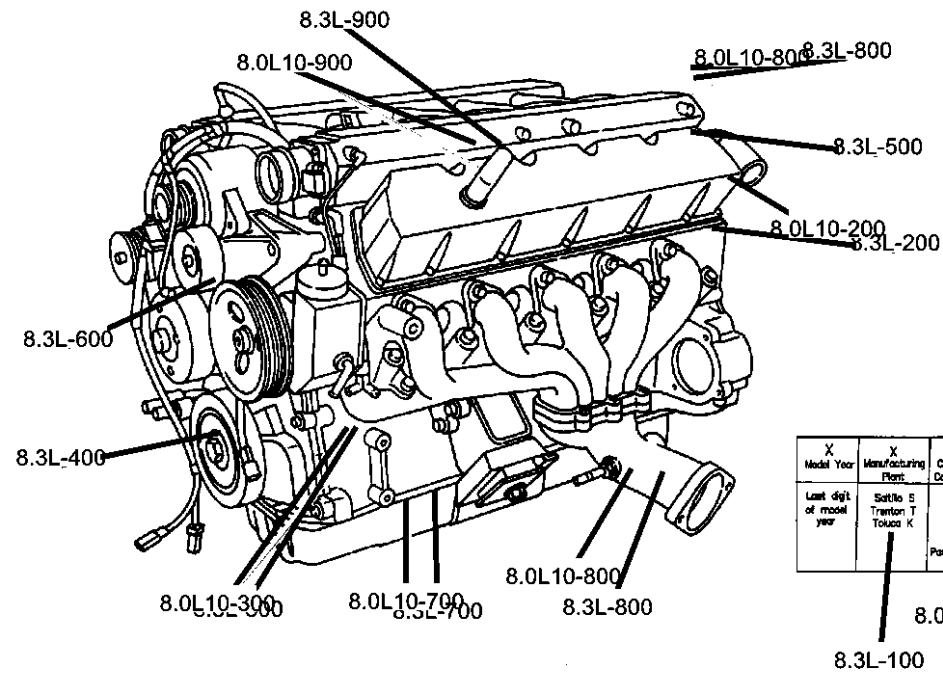
ENGINE  
 EWC = Engine - 8.3L V10 SFI

TRANSMISSION  
 DEC = 6 Speed Manual  
 DBB = All Manual Transmissions

AR = use ase required - = Non illustrated part

# Group - 8.3L

## Engine 8.3L Ten Cylinder [EWC]

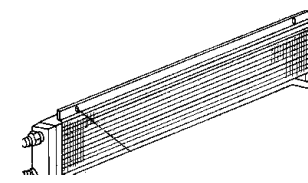


X Model Year	X Manufacturing Plant	XXXXX Component Code/Usage	XXXX Month/Day	XXXXXXXX Serial Code
Last digit of model year	Satillo S Tranton T Tokoo K	Engine	3.3L - 3.8L Usage Pass Car PC Truck T	Last 8 Digits of VIN

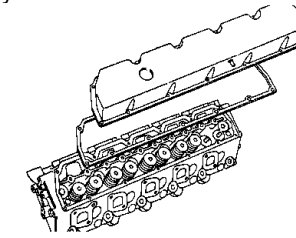
### 8.3L-100 Engine Identification

X Model Year	X Manufacturing Plant	XXXXX Component Code/Usage	XXXX Month/Day	XXXXXXXX Serial Code
Last digit of model year	Satillo S Tranton T Tokoo K	Engine	3.3L - 3.8L Usage Pass Car PC Truck T	Last 8 Digits of VIN

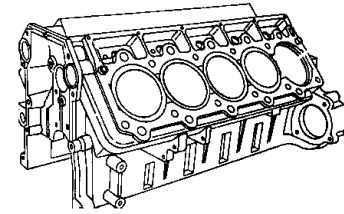
### 8.3L-1100 Oil Cooler



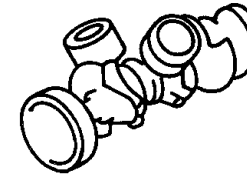
### 8.3L-200 Cylinder Head



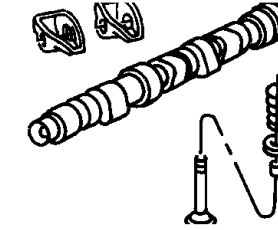
### 8.3L-300 Cylinder Block



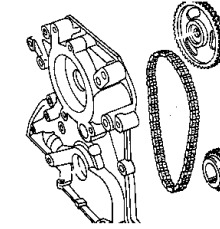
### 8.3L-400 Crankshaft, Piston and Torque Converter



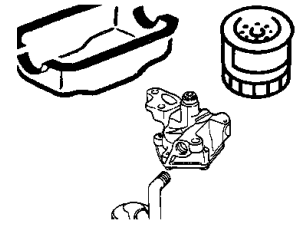
### 8.3L-500 Camshafts & Valves



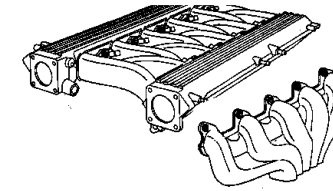
### 8.3L-600 Timing Belt and Cover



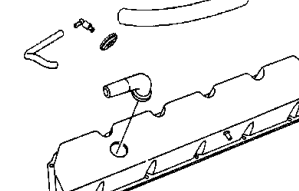
### 8.3L-700 Engine Oiling



### 8.3L-800 Manifolds



### 8.3L-900 Crankcase Ventilation



---

## Group - 8.3L Engine 8.3L Ten Cylinder [EWC]

Illustration Title	Group-Fig. No.
<b>Engine Identification</b>	
I.D. Location 8.3L [EWC] .....	Fig. 8.3L - 110
<b>Cylinder Head</b>	
Cylinder Head and Covers 8.3L [EWC].....	Fig. 8.3L - 210
<b>Cylinder Block</b>	
Block, Cylinder 8.3L [EWC].....	Fig. 8.3L - 310
<b>Crankshaft, Piston and Torque Converter</b>	
Crankshaft and Pistons 8.3L [EWC] .....	Fig. 8.3L - 410
<b>Camshafts &amp; Valves</b>	
Camshafts and Valves 8.3L [EWC] .....	Fig. 8.3L - 510
<b>Timing Belt and Cover</b>	
Timing Belt and Cover 8.3L [EWC] .....	Fig. 8.3L - 610
<b>Engine Oiling</b>	
Engine Oiling 8.3L [EWC] .....	Fig. 8.3L - 710
<b>Manifolds</b>	
Manifolds, Intake and Exhaust 8.3L [EWC] .....	Fig. 8.3L - 810
<b>Crankcase Ventilation</b>	
Crankcase Ventilation 8.3L [EWC].....	Fig. 8.3L - 910
<b>Oil Cooler</b>	
Oil Cooler, 8.3L [EWC].....	Fig. 8.3L - 1110

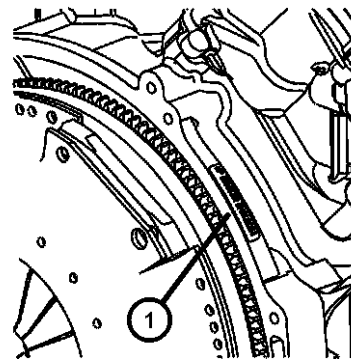
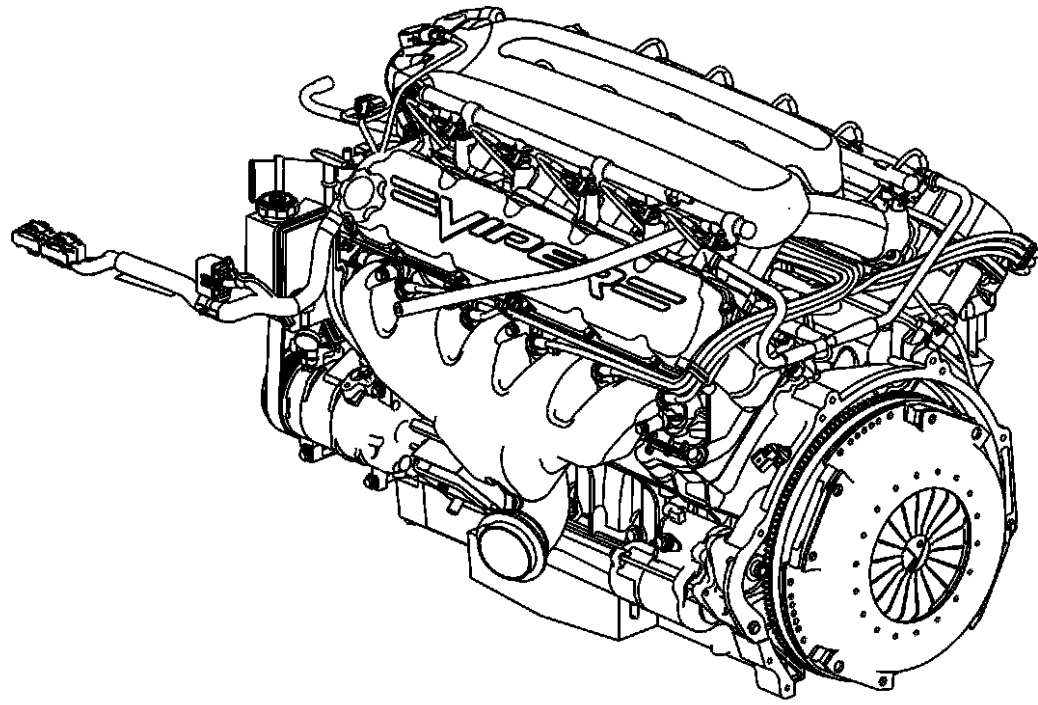
I.D. Location 8.3L [EWC]  
Figure 8.3L-110

ITEM	PART NUMBER	QTY	LINE	SERIES	BODY	ENGINE	TRANS	TRIM	DESCRIPTION
------	-------------	-----	------	--------	------	--------	-------	------	-------------

Engine ID is located on the left bank at the rear of the block just below the head  
NOTE: Sales Code  
[EWC] = 8.3L V10 SFI Engine

1	06101761	1							
---	----------	---	--	--	--	--	--	--	--

LABEL, Engine Identification, (NOT SERVICED)



VIPER (ZB)

SERIES  
S = SRT-10  
X = Coupe

LINE  
D = DODGE

BODY  
27 = 2-DR CONVERTIBLE  
29 = SPECIALTY COUPE

ENGINE  
EWC = Engine - 8.3L V10 SFI

TRANSMISSION  
DEC = 6 Speed Manual  
DBB = All Manual Transmissions

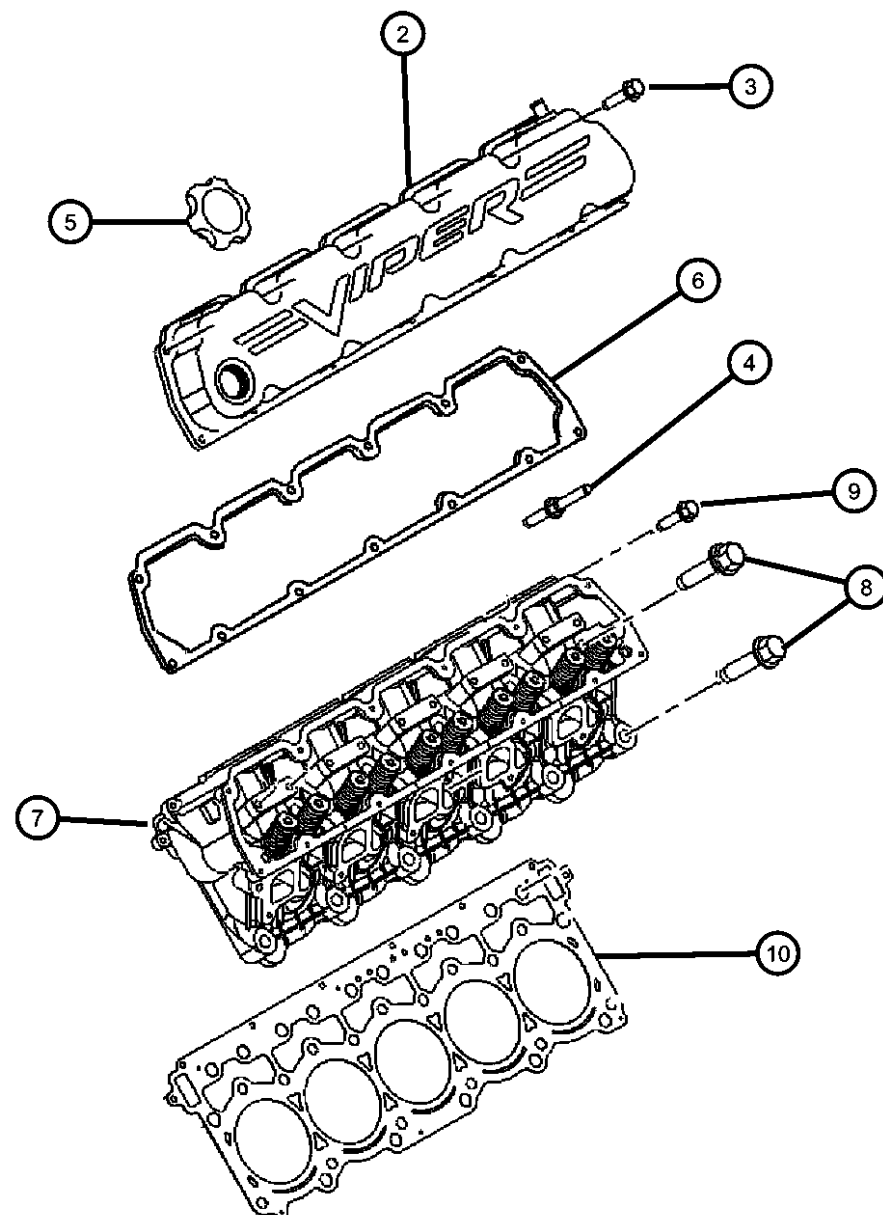
AR = use ase required - = Non illustrated part

2005 ZB



Cylinder Head and Covers 8.3L [EWC]

Figure 8.3L-210



NOTE:

SALES CODES:

[EWC] = 8.3L V10 SFI Engine

ITEM	PART NUMBER	QTY	LINE	SERIES	BODY	ENGINE	TRANS	TRIM	DESCRIPTION
-1	05086534AA	1				EWC			GASKET PACKAGE, Engine Upper, Includes,Cylinder Head Gasket, Valve Cover Gasket, Intake and Exhaust Manifold Gasket, Throttle Body Gasket and Thermostat Gasket., One Package Will Do One Cylinder Head COVER, Cylinder Head
2	05037155AE	1				EWC			Left
	05037156AD	1				EWC			Right
3	06035666	13				EWC			SCREW, Hex Flange Head, .25-20x1.00
4	06036519AA	13				EWC			STUD, Double Ended
5	04648832AB	1				EWC			CAP, Oil Filler
6	05037157AB	1				EWC			GASKET, Valve Cover
7	05037064AE	2				EWC			HEAD, Cylinder
8	06035471	24				EWC			BOLT, Cylinder Head
9	06035666	16				EWC			SCREW, Hex Flange Head, .25-20x1.00, Head Tappet Gallery
10	04763749AB	2				EWC			GASKET, Cylinder Head
-11									SEAL, Valve Guide
	53009886	10				EWC			Upper
	53009887	10				EWC			Lower
-12	33003521	40				EWC			LOCK, Valve Spring Retainer
-13	04483745	20				EWC			RETAINER, Valve Spring

VIPER (ZB)

SERIES

S = SRT-10

X = Coupe

LINE

D = DODGE

BODY

27 = 2-DR CONVERTIBLE

29 = SPECIALTY COUPE

ENGINE

EWC = Engine - 8.3L V10 SFI

TRANSMISSION

DEC = 6 Speed Manual

DBB = All Manual Transmissions

AR = use ase required - = Non illustrated part

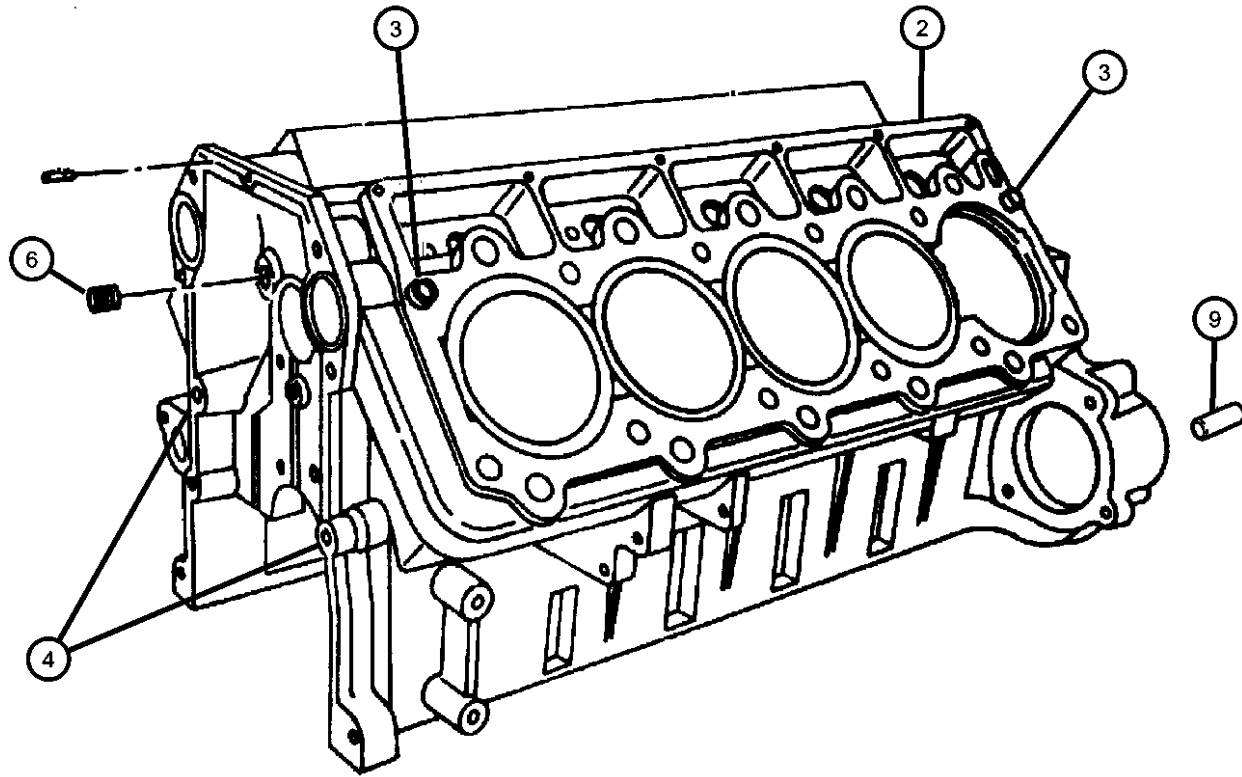
2005 ZB

**Block, Cylinder 8.3L [EWC]  
Figure 8.3L-310**

ITEM	PART NUMBER	QTY	LINE	SERIES	BODY	ENGINE	TRANS	TRIM	DESCRIPTION
------	-------------	-----	------	--------	------	--------	-------	------	-------------

NOTE:  
SALES CODES:  
[EWC] = 8.3L V10 SFI Engine

-1	05086535AD	1				EWC			GASKET PACKAGE, Engine Lower
2	05166381AA	1				EWC			BLOCK, Short
3	J4005149	4				EWC	DEC		DOWEL, Locator, Block to Head
4	05245055	2				EWC	DEC		DOWEL, Front Cover
-5	05245058	4				EWC	DEC		DOWEL, Rear Oil Seal Retainer
6	06034804	1				EWC			PLUG, Core, 1.39 Diameter, Front Crank Cavity
-7	06036543AA	1				EWC			PLUG, Pipe, [.125-27x.310], Oil Gallery
-8	04663941	1				EWC	DEC		PLUG, Core, 1.00 Diameter
9	04429678	2				EWC	DEC		PIN, Dowel
-10	06036549AA	8				EWC	DEC		STUD
-11	06035665	4				EWC	DEC		BOLT, Bearing Cap
-12	05037316AC	1				EWC			CONNECTOR, Engine Oil Cooler
-13	04104511AB	1				EWC			CONNECTOR, Oil Filter Adapter
-14	06036308AA	10				EWC			PLUG, Cylinder Block Oil Gallery



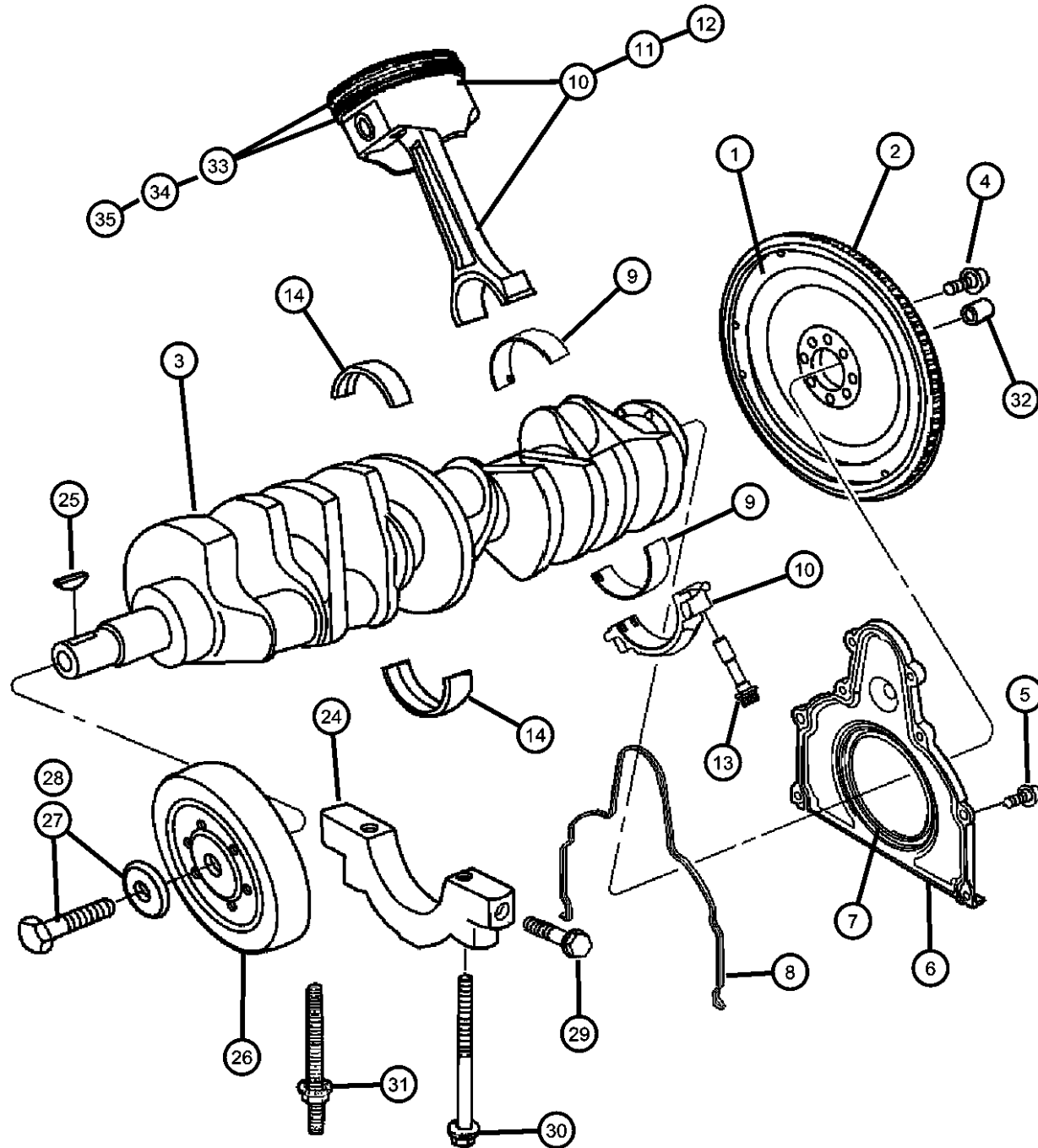
**VIPER (ZB)**

SERIES	LINE	BODY	ENGINE	TRANSMISSION
S = SRT-10	D = DODGE	27 = 2-DR CONVERTIBLE	EWC = Engine - 8.3L V10 SFI	DEC = 6 Speed Manual
X = Coupe		29 = SPECIALTY COUPE		DBB = All Manual Transmissions

AR = use ase required - = Non illustrated part

2005 ZB

**Crankshaft and Pistons 8.3L [EWC]  
Figure 8.3L-410**



ITEM	PART NUMBER	QTY	LINE	SERIES	BODY	ENGINE	TRANS	TRIM	DESCRIPTION
------	-------------	-----	------	--------	------	--------	-------	------	-------------

NOTE:  
When Replacing Piston And Connecting Rod Packages 05135749AB 05135750AB, Upgraded Connecting Rod Bolts 05037575AA Must Also Be Used.  
Check the Crankshaft and the Damper Attaching Bolts for SAE or Metric Threading

SALES CODES:  
[EWC] = 8.3L V10 SFI Engine

1	05037226AC	1				EWC			FLYWHEEL
2	02843214	1				EWC			GEAR, Flywheel Ring
3									CRANKSHAFT, See Notes
	05037599AA	1				EWC			[M14x1.5] Thread
	05037599AD	1				EWC			[.75-16] Thread
4	06035811	8				EWC			BOLT, Hex Head, .437-20x1.50
5	06035666	8				EWC			SCREW, Hex Flange Head, .25-20x1.00, Rear Seal Retainer
6	05037053AC	1				EWC			RETAINER, Crankshaft Rear Oil Seal
7	05037300AA	1				EWC			SEAL, Rear Main Crankshaft
8	05037056AB	1				EWC			GASKET, Rear Oil Seal Retainer
9	05086003AA	20				EWC			BEARING PACKAGE, Connecting Rod, Standard
10									PISTON PIN AND ROD, STD
	05135749AA	5				EWC			Cylinders 1,3,5,7,9, Left, Side
	05135750AA	5				EWC			Cylinders 2,4,6,8,10, Right, Side
11									PISTON PIN AND ROD, .010" O/S
	05136167AA	5				EWC			Cylinders 1,3,5,7,9, Left, Side
	05136168AA	5				EWC			Cylinders 2,4,6,8,10, Right, Side
12									PISTON PIN AND ROD, .020" O/S
	05136169AA	5				EWC			Cylinders 1,3,5,7,9, Left, Side
	05136170AA	5				EWC			Cylinders 2,4,6,8,10, Right, Side
13	05037575AA	1							BOLT, Connecting Rod, Also serviced in Piston Assembly [[MJ9X1.00-4H]
14	04883681AA	1				EWC			BEARING PACKAGE, Crankshaft, Standard
-15									BEARING PACKAGE, Crankshaft, Standard, Main Bearing
	04723536AB	AR				EWC			[1,2,4,5,6] Magenta Standard
	04723538AB	AR				EWC			[1,2,4,5,6] White Standard
	04723541	AR				EWC			[1,2,4,5,6] Orange Standard
-16	05096020AA	AR				EWC			BEARING PACKAGE, Crankshaft, .009" U/S, Main Bearing
-17	05096022AA	AR				EWC			BEARING PACKAGE, Crankshaft, .010" U/S, Main Bearing

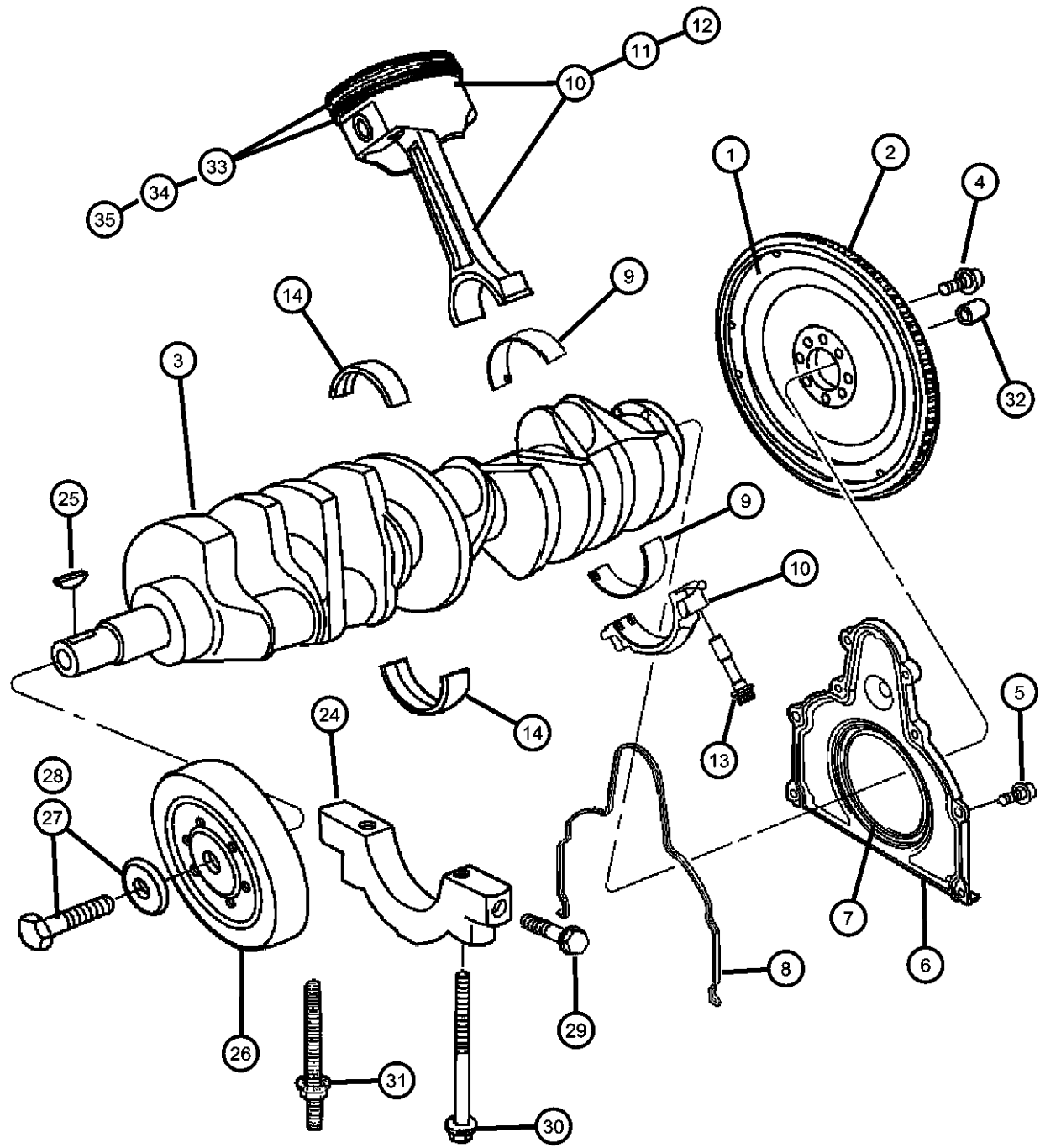
**VIPER (ZB)**

SERIES	LINE	BODY	ENGINE	TRANSMISSION
S = SRT-10	D = DODGE	27 = 2-DR CONVERTIBLE	EWC = Engine - 8.3L V10 SFI	DEC = 6 Speed Manual
X = Coupe		29 = SPECIALTY COUPE		DBB = All Manual Transmissions

AR = use ase required - = Non illustrated part

2005 ZB

**Crankshaft and Pistons 8.3L [EWC]  
Figure 8.3L-410**



ITEM	PART NUMBER	QTY	LINE	SERIES	BODY	ENGINE	TRANS	TRIM	DESCRIPTION
-18	05096024AA	AR				EWC			BEARING PACKAGE, Crankshaft, .011" U/S, Main Bearing
-19									BEARING PACKAGE, Crankshaft, Thrust Bearing
	04883686AA	AR				EWC			[.001] Inch under size + [.030] inch outside diameter
	04883685AA	AR				EWC			Standard
	04883687AA	AR				EWC			[.002] Inch under size + [.030] inch outside diameter
	04883688AA	AR				EWC			[.010] Inch under size + [.030] inch outside diameter
-20									BEARING PACKAGE, Crankshaft Thrust, Standard Size, Thrust Bearing
	04723537	AR				EWC			Magenta standard
	04723542	AR				EWC			Orange standard
-21	05096021AA	AR				EWC			BEARING PACKAGE, Crankshaft thrust, .009" U/S, Thrust Bearing
-22	05096023AA	AR				EWC			BEARING PACKAGE, Crankshaft thrust, .010" U/S, Thrust Bearing
-23	05096025AA	AR				EWC			BEARING PACKAGE, Crankshaft thrust, .011" U/S, Thrust Bearing
24	05096025AA	AR							CAP, Serviced in Block, (NOT SERVICED)
25	06034749	1				EWC			KEY, Crankshaft Sprocket
26	05037551AA	1				EWC			DAMPER, Crankshaft
27	06036207AA	1				EWC			BOLT, Hex Head, See Notes, [.750-16X2.250]
28	06506340AA	1				EWC			SCREW AND WASHER, See Notes, [M14x1.5x102.0]
29	06035470	12				EWC	DEC		SCREW, Main bearing cap to block
30	06035665	4				EWC	DEC		BOLT, Bearing Cap, [.500-13X4.250]
31	06036549AA	8				EWC	DEC		STUD, [.500-13X.312-18X5.67]
32	53009181AB	1				EWC			BEARING, Pilot
33	05086536AA	1				EWC			PISTON RING SET, COMPLETE ENGINE, STD., Standard
34	05086537AA	1				EWC			PISTON RING SET, COMPLETE ENGINE, .010" O/S, [.010" O/S]
35	05086538AA	1				EWC			PISTON RING SET, COMPLETE ENGINE, .020" O/S, [.020" O/S]

**VIPER (ZB)**

SERIES	LINE	BODY	ENGINE	TRANSMISSION
S = SRT-10	D = DODGE	27 = 2-DR CONVERTIBLE	EWC = Engine - 8.3L V10 SFI	DEC = 6 Speed Manual
X = Coupe		29 = SPECIALTY COUPE		DBB = All Manual Transmissions

AR = use ase required - = Non illustrated part

**Camshafts and Valves 8.3L [EWC]**

**Figure 8.3L-510**

ITEM	PART NUMBER	QTY	LINE	SERIES	BODY	ENGINE	TRANS	TRIM	DESCRIPTION
------	-------------	-----	------	--------	------	--------	-------	------	-------------

NOTES:  
SALES CODES:  
[EWC] = 8.3L V10 SFI Engine

1	05037241AA	10				EWC			ROCKER ARM AND PIVOT, Valve, Includes Pedestal
2	06036425AA	20				EWC			SCREW, [.375-16x2.125]
3	33003521	40				EWC			LOCK, Valve Spring Retainer
4	04483745	20				EWC			RETAINER, Valve Spring
5	05004032AB	20				EWC			SPRING, Valve
6	05004031AA	20				EWC			SEAT, Valve Spring
7	53009886	10				EWC			SEAL, Valve GuideIntake
8	53009887	10				EWC			SEAL, Valve GuideExhaust
9	05037232AB	10				EWC			VALVE, Intake, Standard
10	04763748	10				EWC			VALVE, Exhaust, Standard
11	00141195	1				EWC			DOWEL, .25x.62
12	05004042AA	20				EWC			TAPPET, Hyd. Roller
13	05037057AA	1				EWC			CAMSHAFT, Engine
14	05093027AA	1				EWC			CAMSHAFT, Engine, .002" O/S Journal
15	05093028AA	1				EWC			CAMSHAFT, Engine, .003" O/S Journal
16	05093030AA	1				EWC			CAMSHAFT, Engine, .030" O/S Journal
17	05037069AA	20				EWC			PUSH ROD, Valve
18	05037068AA	10				EWC			YOKE, Tappet Aligning
19	00181065	10				EWC			BOLT, Hex Head, .25-20x1.00

**VIPER (ZB)**

SERIES	LINE	BODY	ENGINE	TRANSMISSION
S = SRT-10 X = Coupe	D = DODGE	27 = 2-DR CONVERTIBLE 29 = SPECIALTY COUPE	EWC = Engine - 8.3L V10 SFI	DEC = 6 Speed Manual DBB = All Manual Transmissions

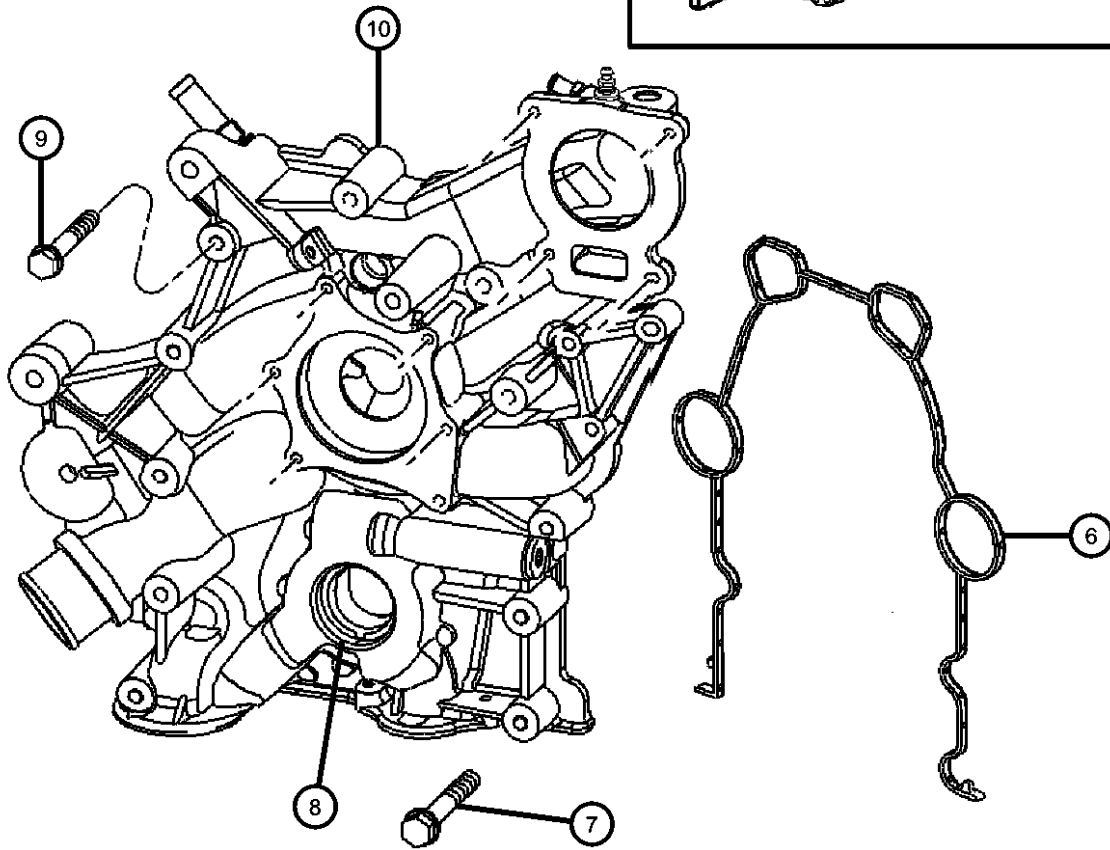
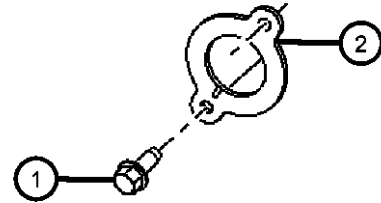
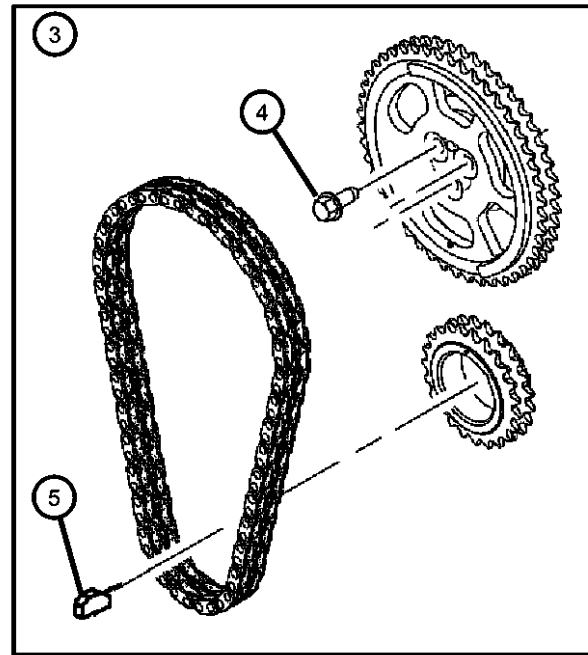
AR = use ase required - = Non illustrated part

2005 ZB

<< RETURN TO GROUP INDEX

**Timing Belt and Cover 8.3L [EWC]  
Figure 8.3L-610**

ITEM	PART NUMBER	QTY	LINE	SERIES	BODY	ENGINE	TRANS	TRIM	DESCRIPTION
------	-------------	-----	------	--------	------	--------	-------	------	-------------



**NOTES:**

**SALES CODES:**

[EWC] = 8.3L V10 SFI Engine

1	00220800	2				EWC			SCREW, Hex Head, .312-18x.75
2	05245359	1				EWC			PLATE, Camshaft Thrust
3	05086533AB	1				EWC			CHAIN PACKAGE, Timing, Contains Timing Chain and Gears
4	06036611AA	8				EWC			BOLT
5	06034749	1				EWC			KEY, Crankshaft Sprocket
6	05037067AD	1				EWC			GASKET, Chain Case Cover
7	00154934AA	3				EWC			SCREW AND WASHER
8	05245135	1				EWC			SEAL, Timing Case Cover
9	05037036AI	1				EWC			COVER, Timing Case
10	06034248	8				EWC			BOLT

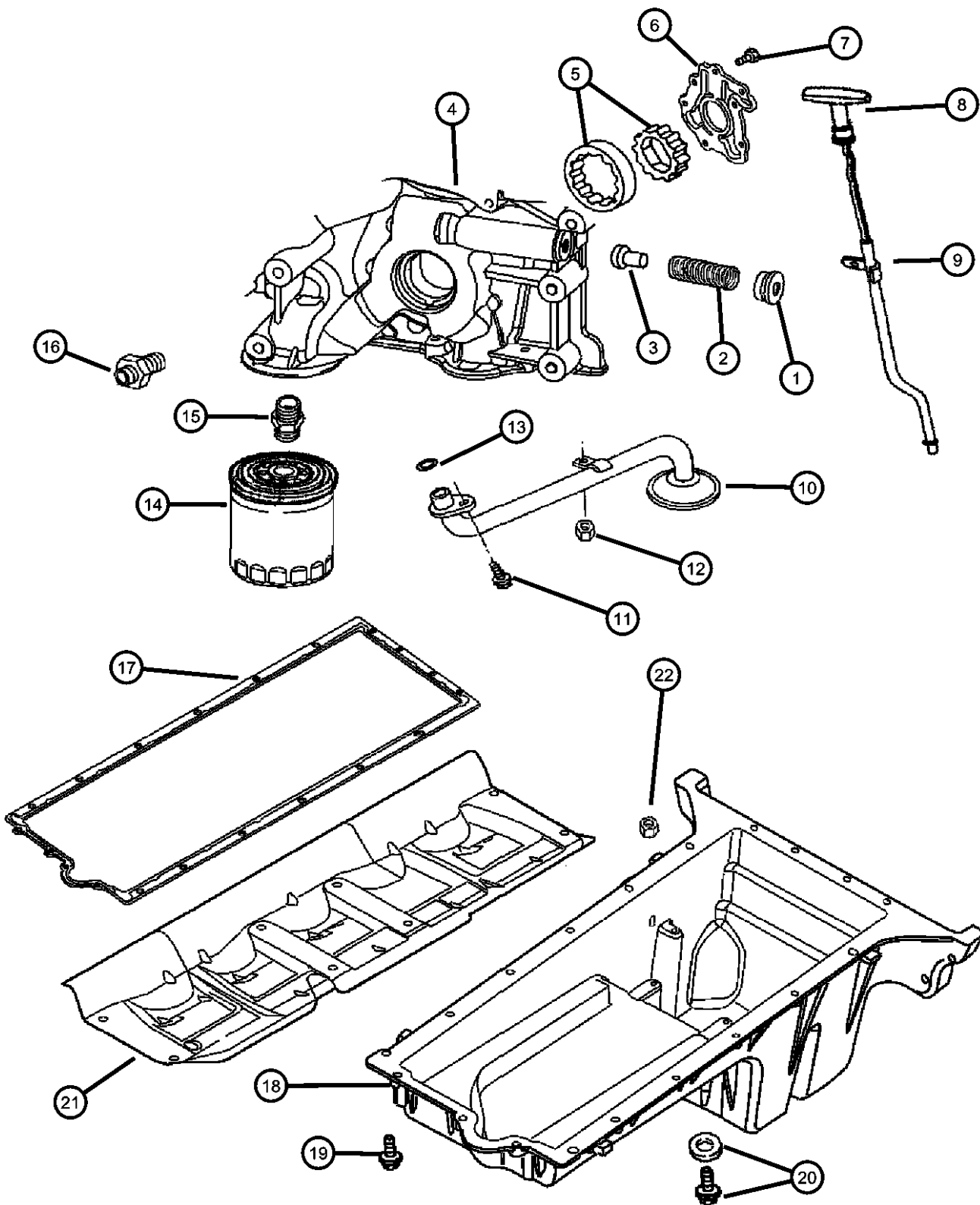
**VIPER (ZB)**

SERIES	LINE	BODY	ENGINE	TRANSMISSION
S = SRT-10	D = DODGE	27 = 2-DR CONVERTIBLE	EWC = Engine - 8.3L V10 SFI	DEC = 6 Speed Manual
X = Coupe		29 = SPECIALTY COUPE		DBB = All Manual Transmissions

AR = use ase required - = Non illustrated part

2005 ZB

**Engine Oiling 8.3L [EWC]  
Figure 8.3L-710**



ITEM	PART NUMBER	QTY	LINE	SERIES	BODY	ENGINE	TRANS	TRIM	DESCRIPTION
------	-------------	-----	------	--------	------	--------	-------	------	-------------

NOTE: Sales Code  
[EWC] = 8.3L V10 SFI Engine

1	05037047AA	1				EWC			CAP, Oil Pressure Relief Valve
2	05037046AB	1				EWC			SPRING, Oil Pressure Relief Valve
3	05037045AB	1				EWC			PLUNGER, Oil Pressure Relief Valve
4	05037036AI	1				EWC			COVER, Timing Case
5	05245525AC	1				EWC			ROTOR SET, Oil Pump
6	05037048AC	1				EWC			COVER, Engine Oil Pump
7	06034475	8				EWC			SCREW, Torx Head, .25-20x.75
8	05037214AE	1				EWC			INDICATOR, Engine Oil Level
9	05037215AE	1				EWC			TUBE, Engine Oil Indicator
10	05037312AE	1				EWC			PICKUP, Engine Oil
11	06035666	1				EWC			SCREW, Hex Flange Head, .25-20x1.00
12	00152472	1				EWC			NUT, Hex Flange Lock, .312-18
13	06032920	1				EWC			SEAL, Oil Pick Up Tube
14	05281090	1				EWC			FILTER, Engine Oil
	0FE00292								Canadian Aftermarket Part
	05281090BA								BULK PACK (12)
	77060018								Performance Mobil 1, 15W - 50 Tri-Synthetic Engine Oil-Recommended Fill for 6.1L & 8.3L
	P5007323								Performance Mobil 1, 5W - 30 Tri-Synthetic Engine Oil, Quart
15	04104511AB	1				EWC			CONNECTOR, Oil Filter Adapter
16	05037316AC	2				EWC			CONNECTOR, Engine Oil Cooler
17	05037163AC	1				EWC			GASKET, Oil Pan
18	05037159AF	1				EWC			PAN, Engine Oil
19	00154934AA	5				EWC			SCREW AND WASHER
20	06035417	1				EWC			PLUG, Oil Drain
21	05037158AD	1				EWC			TRAY, Windage
22	00152472	6				EWC			NUT, Hex Flange Lock, .312-18
-23	00154777	10				EWC			SCREW AND WASHER, Hex Head, .25-20x1.00

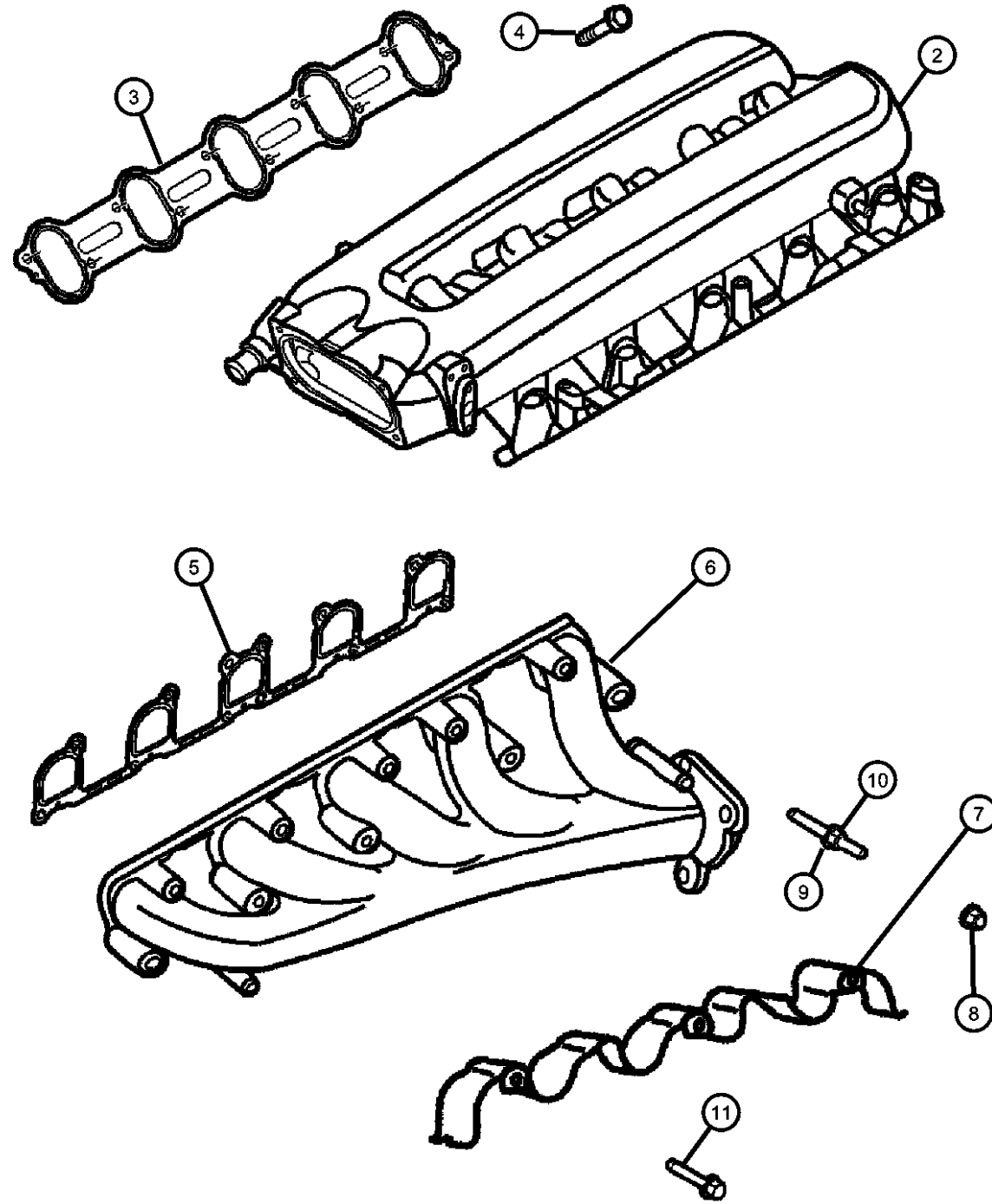
**VIPER (ZB)**

SERIES	LINE	BODY	ENGINE	TRANSMISSION
S = SRT-10	D = DODGE	27 = 2-DR CONVERTIBLE	EWC = Engine - 8.3L V10 SFI	DEC = 6 Speed Manual
X = Coupe		29 = SPECIALTY COUPE		DBB = All Manual Transmissions

AR = use ase required - = Non illustrated part

2005 ZB

**Manifolds, Intake and Exhaust 8.3L [EWC]  
Figure 8.3L-810**



ITEM	PART NUMBER	QTY	LINE	SERIES	BODY	ENGINE	TRANS	TRIM	DESCRIPTION
------	-------------	-----	------	--------	------	--------	-------	------	-------------

**NOTE:**

Manifold Assembly Includes: Manifold with Vacuum Nipples; Fuel Rail with Clips, Injectors and O-Rings; Throttle Body with Gasket, AIS Motor and  
SALES CODES:

[EWC] = 8.3L V10 SFI Engine

-1	05037105AF	1				EWC			MANIFOLD ASSEMBLY, Intake, See Notes, Limited Stock
2	05037192AE	1				EWC			MANIFOLD, Intake, Includes Vacuum Nipples
3	05037217AB	2				EWC			GASKET, Intake Manifold
4	06035666	20				EWC			SCREW, Hex Flange Head, .25-20x1.00
5	05037195AC	2				EWC			GASKET, Exhaust Manifold
6									MANIFOLD, Exhaust
	05037196AC	1				EWC			Right
	05037197AC	1				EWC			Left
7									SHIELD, Exhaust Manifold
	05037245AB	2				EWC			Outer
	05037284AB	2				EWC			Inner
8	06034856	6				EWC			NUT AND WASHER, Hex Nut-E Teeth Washer, .312-24
9	06034595	20				EWC			WASHER, Coned, .340 x .750 x .180
10	06036066AA	6				EWC			STUD
11	00154881AA	14				EWC			BOLT, Hex Head

**VIPER (ZB)**

SERIES

S = SRT-10  
X = Coupe

LINE

D = DODGE

BODY

27 = 2-DR CONVERTIBLE  
29 = SPECIALTY COUPE

ENGINE

EWC = Engine - 8.3L V10 SFI

TRANSMISSION

DEC = 6 Speed Manual  
DBB = All Manual Transmissions

AR = use ase required - = Non illustrated part

2005 ZB

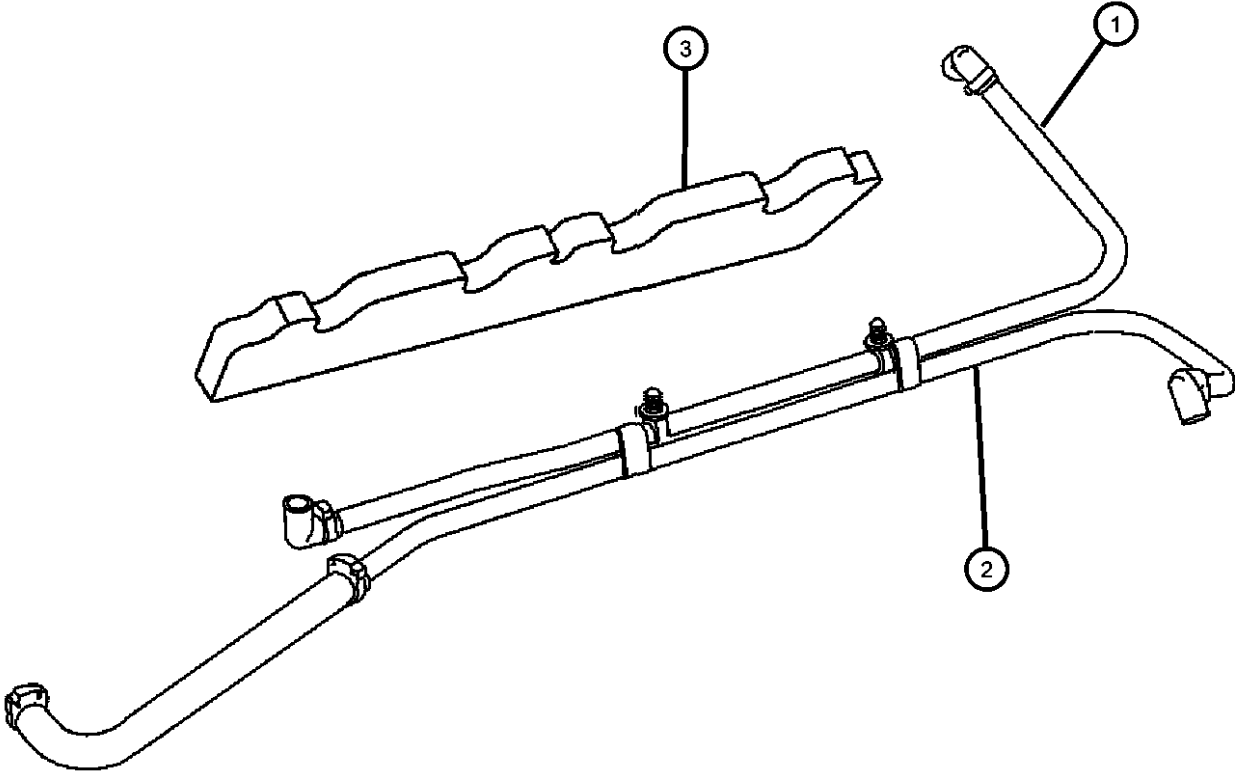


**Crankcase Ventilation 8.3L [EWC]  
Figure 8.3L-910**

ITEM	PART NUMBER	QTY	LINE	SERIES	BODY	ENGINE	TRANS	TRIM	DESCRIPTION
------	-------------	-----	------	--------	------	--------	-------	------	-------------

NOTE:  
SALES CODES:  
[EWC] = 8.3L V10 SFI Engine  
1 05037306AE 1  
2 05037308AE 1  
3 05037336AA 1

EWC HARNESS, PCV  
EWC HARNESS, CCV To Air Cleaner  
EWC FILTER, Crankcase Vent

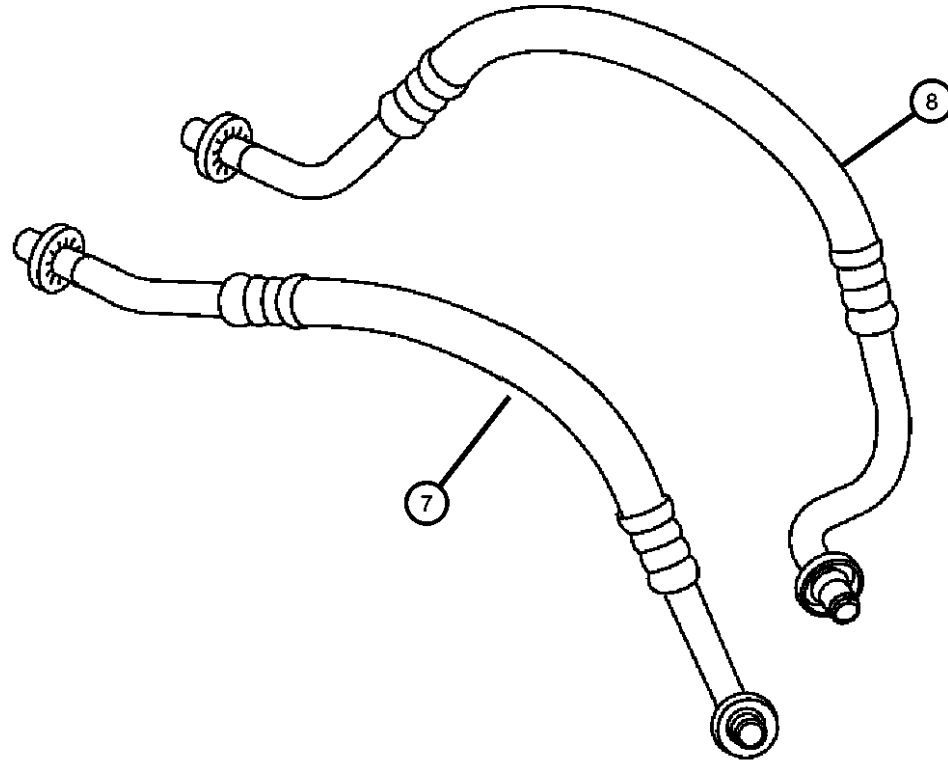
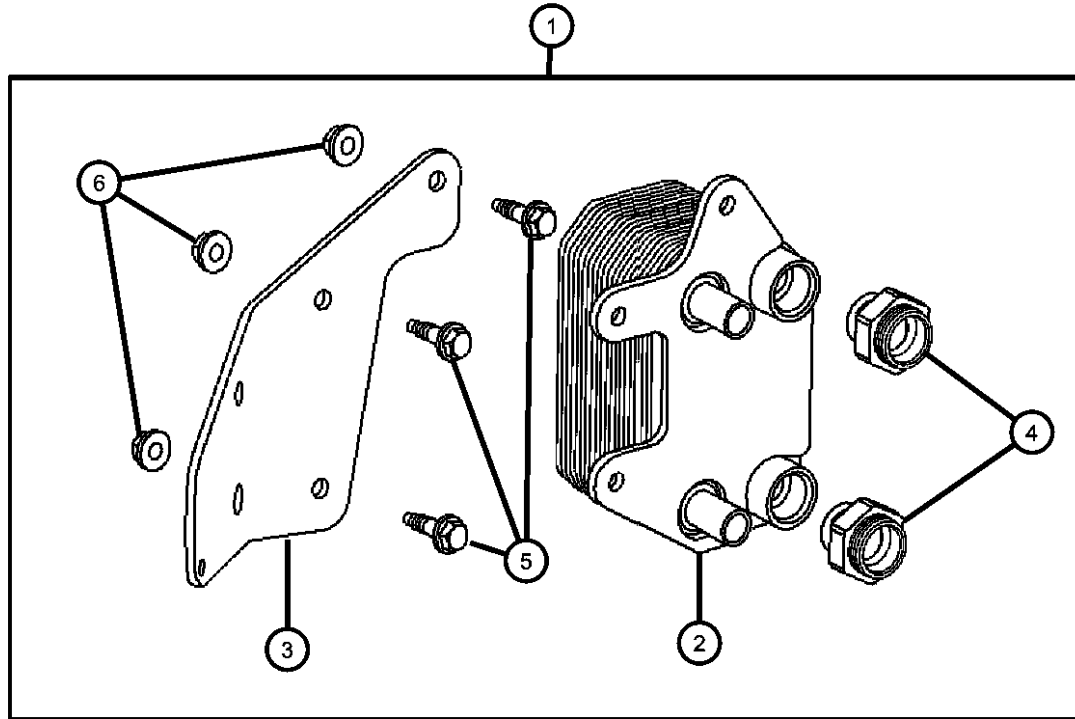


<b>VIPER (ZB)</b>				
SERIES	LINE	BODY	ENGINE	TRANSMISSION
S = SRT-10	D = DODGE	27 = 2-DR CONVERTIBLE 29 = SPECIALTY COUPE	EWC = Engine - 8.3L V10 SFI	DEC = 6 Speed Manual DBB = All Manual Transmissions
X = Coupe				

AR = use ase required - = Non illustrated part

Oil Cooler, 8.3L [EWC]  
Figure 8.3L-1110

ITEM	PART NUMBER	QTY	LINE	SERIES	BODY	ENGINE	TRANS	TRIM	DESCRIPTION
1	05290014AD	1							COOLER, Engine Oil, Assembly
2	05290014AD	1							COOLER, Engine Oil
3	05290014AD	1							BRACKET, Oil Cooler, Serviced in Assembly, (NOT SERVICED)
4	05037316AC	2							CONNECTOR, Engine Oil Cooler
5	06503771	3							SCREW, Hex Flange Head, M6x1x23
6	06503771	3							NUT, Dust -Purchased in Line Assy., (NOT SERVICED)
7	05290004AD	1							LINE, Oil Cooler Inlet
8	05290001AD	1							LINE, Oil Cooler Outlet



VIPER (ZB)

SERIES

S = SRT-10

X = Coupe

LINE

D = DODGE

BODY

27 = 2-DR CONVERTIBLE

29 = SPECIALTY COUPE

ENGINE

EWC = Engine - 8.3L V10 SFI

TRANSMISSION

DEC = 6 Speed Manual

DBB = All Manual Transmissions

AR = use ase required - = Non illustrated part

2005 ZB

# Group - 11

## Exhaust

### Group - 11 Exhaust

Illustration Title

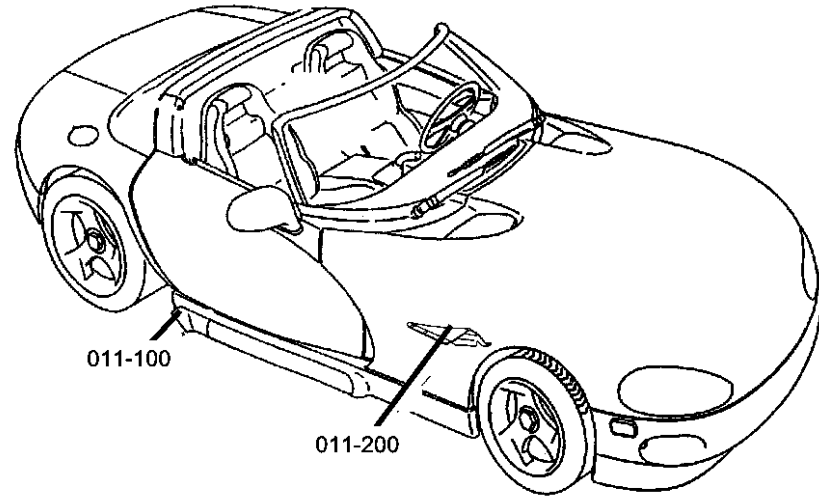
Group-Fig. No.

#### Exhaust System

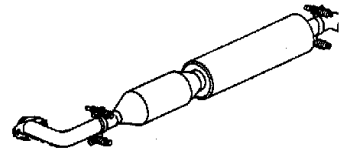
Exhaust System ..... Fig. 11 - 110

#### Heat Shields

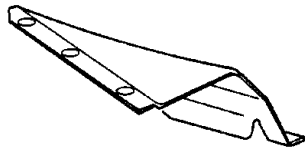
Heat Shield ..... Fig. 11 - 210



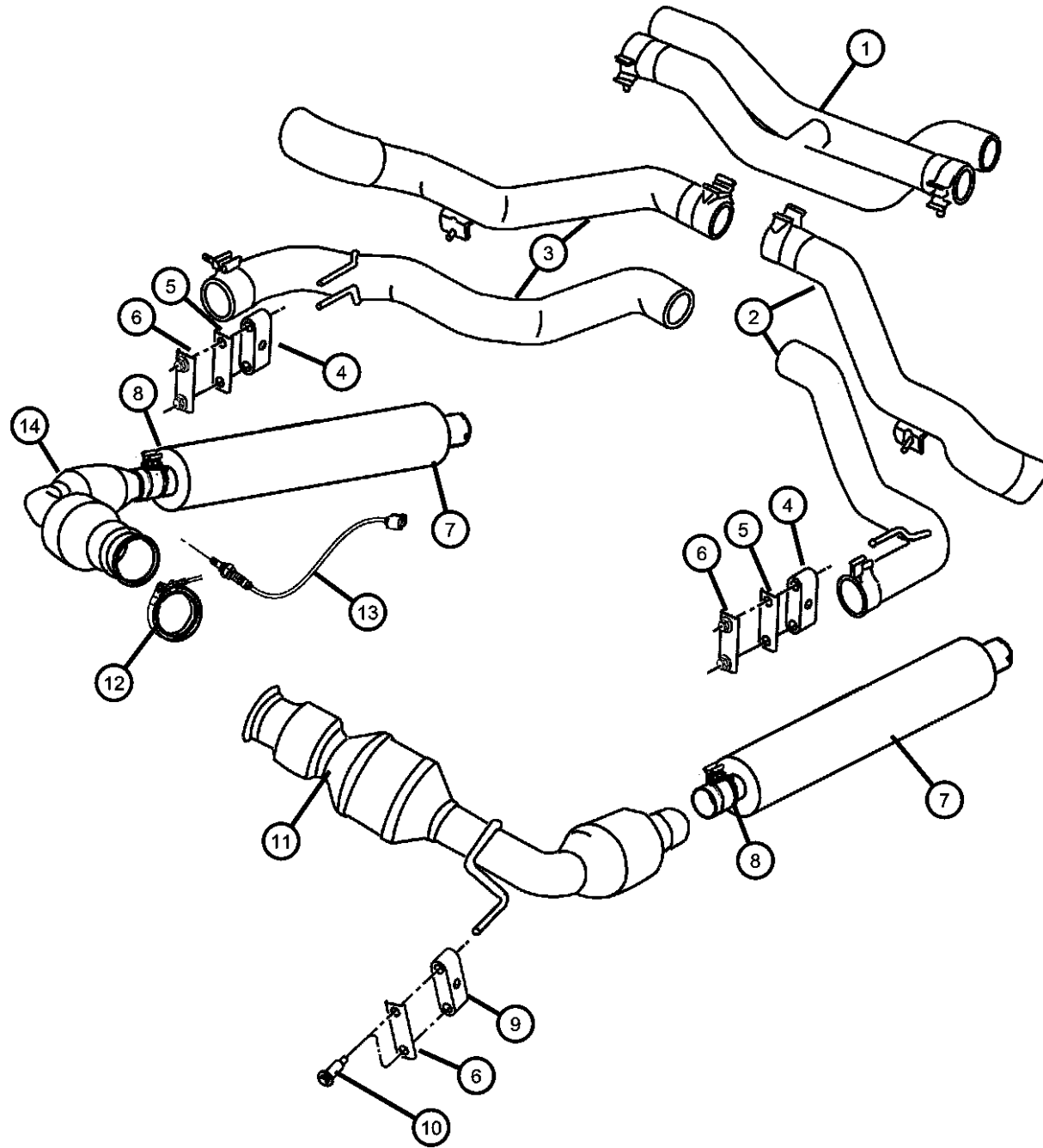
**011-100**  
Exhaust System



**011-200**  
Heat Shields



**Exhaust System  
Figure 11-110**



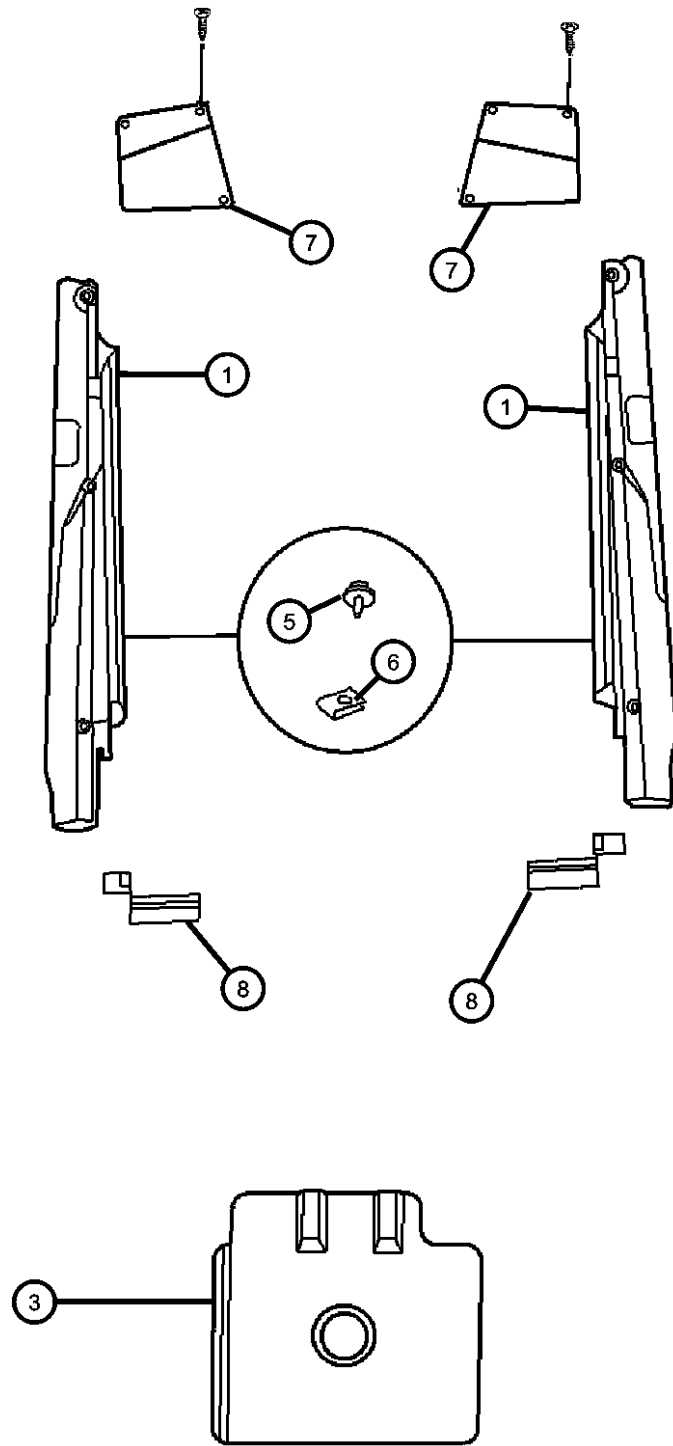
ITEM	PART NUMBER	QTY	LINE	SERIES	BODY	ENGINE	TRANS	TRIM	DESCRIPTION
Note; Sales Codes; [EWC] = 8.3L V-10 SFI									
1	05290211AD	1							PIPE, ExhaustCenter
2	05290211AD	1							PIPE, Exhaust, Spout, Left
3									SPOUT, Exhaust
	05290178AG	1							Right
	05290179AG	1							Left
4	04763667AD	2							ISOLATOR, Exhaust
5	04763667AD	2							NUT PLATE, Exhaust, (NOT SERVICED)
6	05290154AB	4							SUPPORT, Exhaust Isolator
7	05290387AC	2							RESONATOR, Exhaust
8	04848935AA	2							CLAMP, Exhaust
9									ISOLATOR, Exhaust
	05290265AA	2							Dual Hanger Rod
	05290786AA	3							Export
10	05290786AA	3							SCREW, (NOT SERVICED)
11	05264999AD	1							CONVERTER, CatalyticLeft
12	05290111AA	2							CLAMP, Exhaust Manifold
13	56041706AA	2				EWC			SENSOR, Oxygen, Downstream
14	05264998AE	1							CONVERTER, CatalyticRight
-15	05037245AB	2				EWC			SHIELD, Exhaust Manifold
-16	05191939AA	1							MUFFLER, ExhaustExport

**VIPER (ZB)**

SERIES	LINE	BODY	ENGINE	TRANSMISSION
S = SRT-10	D = DODGE	27 = 2-DR CONVERTIBLE	EWC = Engine - 8.3L V10 SFI	DEC = 6 Speed Manual
X = Coupe		29 = SPECIALTY COUPE		DBB = All Manual Transmissions

AR = use ase required - = Non illustrated part

**Heat Shield  
Figure 11-210**



ITEM	PART NUMBER	QTY	LINE	SERIES	BODY	ENGINE	TRANS	TRIM	DESCRIPTION
1	05290160AD	1			27				SHIELD, Heat Sill Inner, Right
	05290161AD	1			27				Sill Inner, Left
-2	05290324AA	1							SHIELD, Heat, Adhesive 8 Inch x 20 Inch Patch, Right
	05290325AA	1							8 Inch x 20 Inch Patch, Left
3	05290256AB	1							SHIELD, Fuel Tank HeatFront
-4	05290088AD	1							SHIELD, Fuel Tank HeatRear
5	06031694	8							SCREW AND WASHER, Hex Head, .164-18x1.0
6	06031694	8							NUT, Push, (NOT SERVICED)
7	05290148AC	1							SHIELD, Heat Torque Box, Right
	05290149AC	1							Torque Box, Left
8	05290230AB	1							SHIELD, Heat B-Pillar, Right
	05290231AB	1							B-Pillar, Left
-9	05290328AA	2							SHIELD, Heat, B-Pillar Isolator
-10	00152493	4							NUT, U nut 1' thread size, Heat Shield to rear Belly Pan
-11	05290273AA	1							SHIELD, Heat A/C Accumalattor Bottle
	05290364AA	2							A-Pillar Isolator
-12	06102132AA	2							SCREW, Hex Head, M6x1x20
		2			27				
-13	05037245AB	2				EWC			SHIELD, Exhaust Manifold
	05037284AB	2			27	EWC			

**VIPER (ZB)**

SERIES	LINE	BODY	ENGINE	TRANSMISSION
S = SRT-10	D = DODGE	27 = 2-DR CONVERTIBLE	EWC = Engine - 8.3L V10 SFI	DEC = 6 Speed Manual
X = Coupe		29 = SPECIALTY COUPE		DBB = All Manual Transmissions

AR = use ase required - = Non illustrated part

# Group - 13

## Frames and Bumpers

### Group - 13 Frames and Bumpers

Illustration Title

Group-Fig. No.

#### Frames

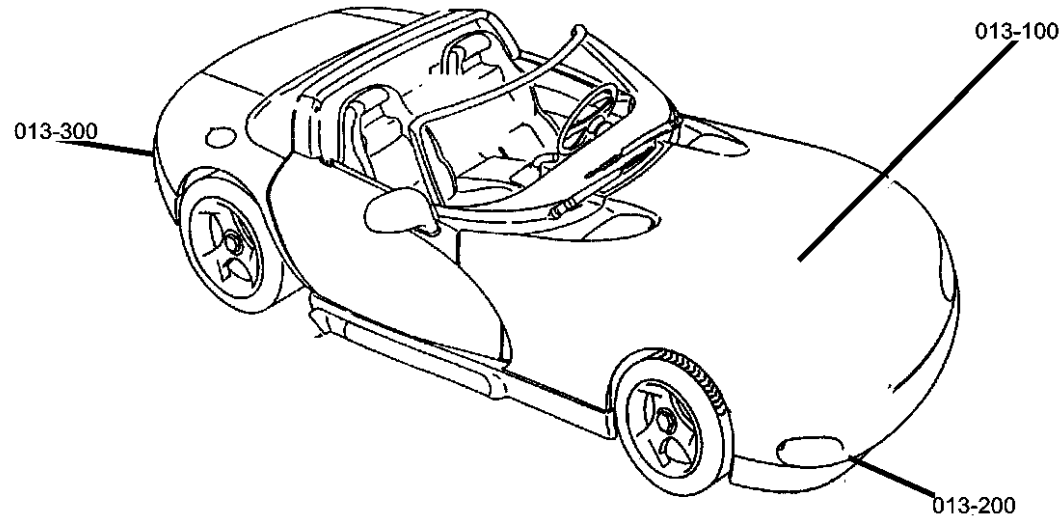
Frame .....Fig. 13 - 110

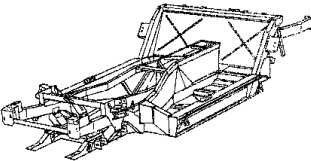
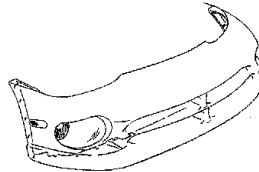

#### Front Bumper and Fascia

Fascia, Front.....Fig. 13 - 210

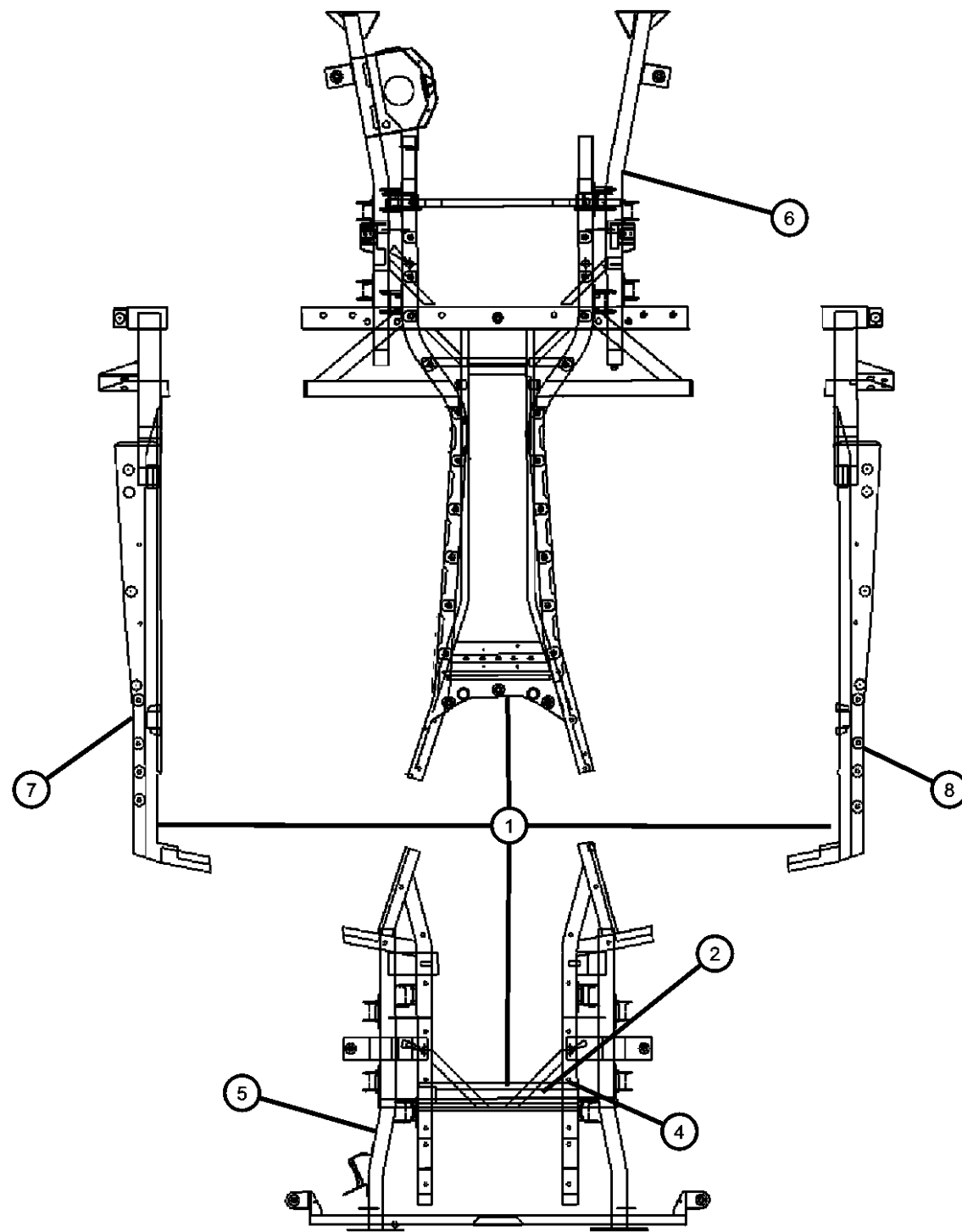
#### Rear Bumper and Fascia

Fascia, Rear .....Fig. 13 - 310



<p><b>013-100</b> Frames</p> 	<p><b>013-200</b> Front Bumper and Fascia</p> 	<p><b>013-300</b> Rear Bumper and Fascia</p> 	
---	---	---	--

Frame  
Figure 13-110



ITEM	PART NUMBER	QTY	LINE	SERIES	BODY	ENGINE	TRANS	TRIM	DESCRIPTION
1	05142420AA	1							FRAME, Chassis, Complete
2	05290045AD	1							CROSSMEMBER, Front Frame
-3	05290047AA	12							SPACER, Crossmember
4	06503571	4							SCREW AND WASHER, M10x1.50x35, Crossmember to Frame, Crossmember to Frame
5	05166492AA	1							FRAME, Front
6	05166494AA	1							FRAME, Rear
7	05166496AA	1							FRAME, RockerRight
8	05166497AA	1							FRAME, RockerLeft
-9	05170136AA	1							HOOK, Tow, EXPORT
-10	05030184AA	1							BRACKET, Tow Hook, EXPORT
-11	06507091AA	8			27				RIVNUT, Installation, Floor Pan to Frame Attach

VIPER (ZB)

SERIES

S = SRT-10

X = Coupe

LINE

D = DODGE

BODY

27 = 2-DR CONVERTIBLE

29 = SPECIALTY COUPE

ENGINE

EWC = Engine - 8.3L V10 SFI

TRANSMISSION

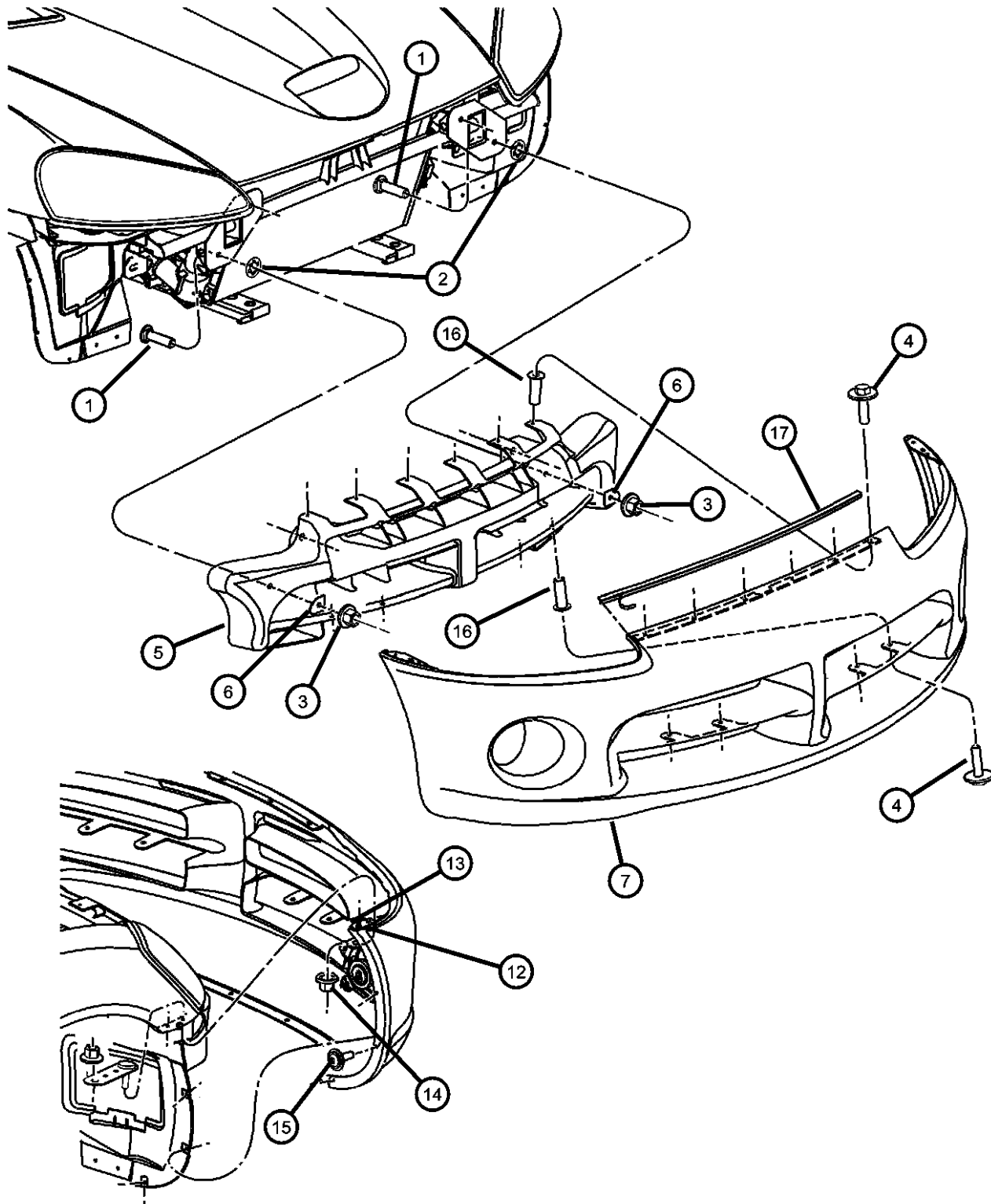
DEC = 6 Speed Manual

DBB = All Manual Transmissions

AR = use ase required - = Non illustrated part

2005 ZB

Fascia, Front  
Figure 13-210



ITEM	PART NUMBER	QTY	LINE	SERIES	BODY	ENGINE	TRANS	TRIM	DESCRIPTION
1	06507091AA	8							BOLT, M10x1.50x35, (NOT SERVICED)
2	06507091AA	8							NUT, M10, (NOT SERVICED)
3	06101448	4							NUT AND WASHER, Hex Nut-Coned Washer, M10 x 1.5
4	06507167AA	4							SCREW
5									BUMPER, Fascia, Front
	04865643AB	1							
	05174334AA	1							EXPORT
6	05029208AA	4							REINFORCEMENT, Front Bumper
7									FASCIA, Front, Primed
	05029154AB	1							
	05170037AA	1							EXPORT
-8	05029222AA	1							FRAME, License Plate
-9	05030178AA	1							BRACKET, License Plate, EXPORT
-10	06034866	5							SCREW, Frame to Fascia
-11	06023925	2							NUT, Plastic Snap-in
12	06100840	2							NUT, Spring
13	05029137AA	2							PLATE, Fender Attach
14	06100047	2							NUT AND WASHER, Hex Nut-Coned Washer, M6 x 1.00
15	06035625	6							SCREW
16	06507483AA	10							NUT/RIVET
17	05029234AA	1							SEAL

VIPER (ZB)

SERIES

S = SRT-10

X = Coupe

LINE

D = DODGE

BODY

27 = 2-DR CONVERTIBLE

29 = SPECIALTY COUPE

ENGINE

EWC = Engine - 8.3L V10 SFI

TRANSMISSION

DEC = 6 Speed Manual

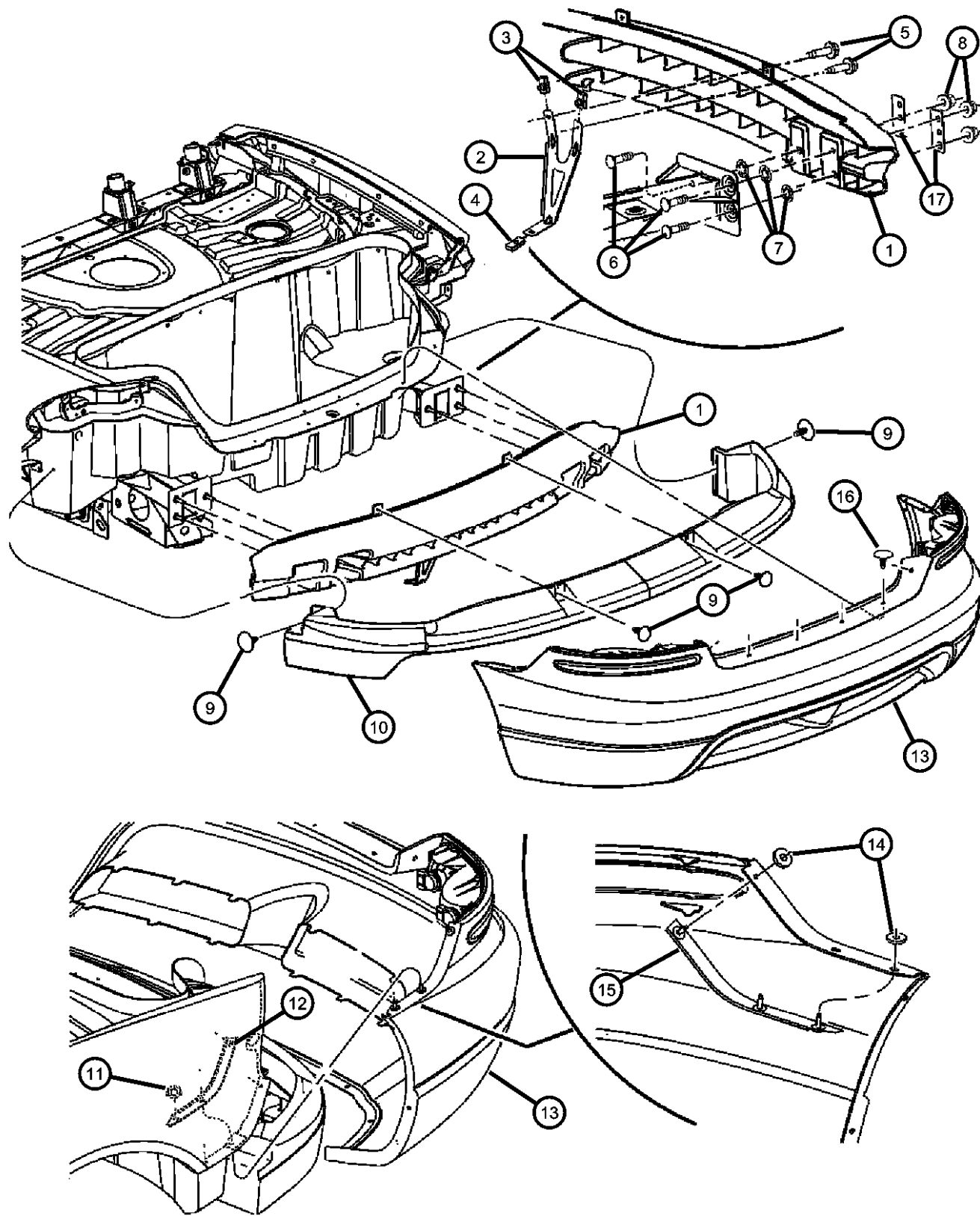
DBB = All Manual Transmissions

AR = use ase required - = Non illustrated part

2005 ZB



Fascia, Rear  
Figure 13-310



ITEM	PART NUMBER	QTY	LINE	SERIES	BODY	ENGINE	TRANS	TRIM	DESCRIPTION
1	04865654AB	1							BUMPER, Fascia, Rear, Reinforcement
2	05029568AA	1							BRACKET, Fascia, Center
3	06101442	2							U-NUT, M6 x 1.00, M6x1.00
4	00152493	1							NUT
5	06100558	2							BOLT AND CONED WASHER, Hex Head, M6x25x14
6	06100558	2							BOLT, Square Neck, M10x1.50, (NOT SERVICED)
7	06100842	4							NUT, Push On
8	06101448	4							NUT AND WASHER, Hex Nut-Coned Washer, M10 x 1.5
9	06507326AA	4							PIN, Push
10									FOAM, Rear Bumper Fascia
	05029164AA	1							Right
	05029165AA	1							Left
11	06100047	2							NUT AND WASHER, Hex Nut-Coned Washer, M6 x 1.00
12									RETAINER, Fascia
	05029200AB	1							Right
	05029201AB	1							Left
13	05029155AC	1							FASCIA, Rear, Primed
14	06100840	4							NUT, Spring
15									RETAINER, Fascia
	04865914AC	1							Right
	04865915AC	1							Left
16	06501067	6							PIN, Push, M6.3x20.5
17	05029209AA	4							REINFORCEMENT, Rear Bumper
-18	05030179AA	1							BRACKET, License Plate, EXPORT
-19	06507091AA	8				27			RIVNUT, Installation, Floor Pan to Frame Attach

VIPER (ZB)

SERIES

S = SRT-10

X = Coupe

LINE

D = DODGE

BODY

27 = 2-DR CONVERTIBLE

29 = SPECIALTY COUPE

ENGINE

EWC = Engine - 8.3L V10 SFI

TRANSMISSION

DEC = 6 Speed Manual

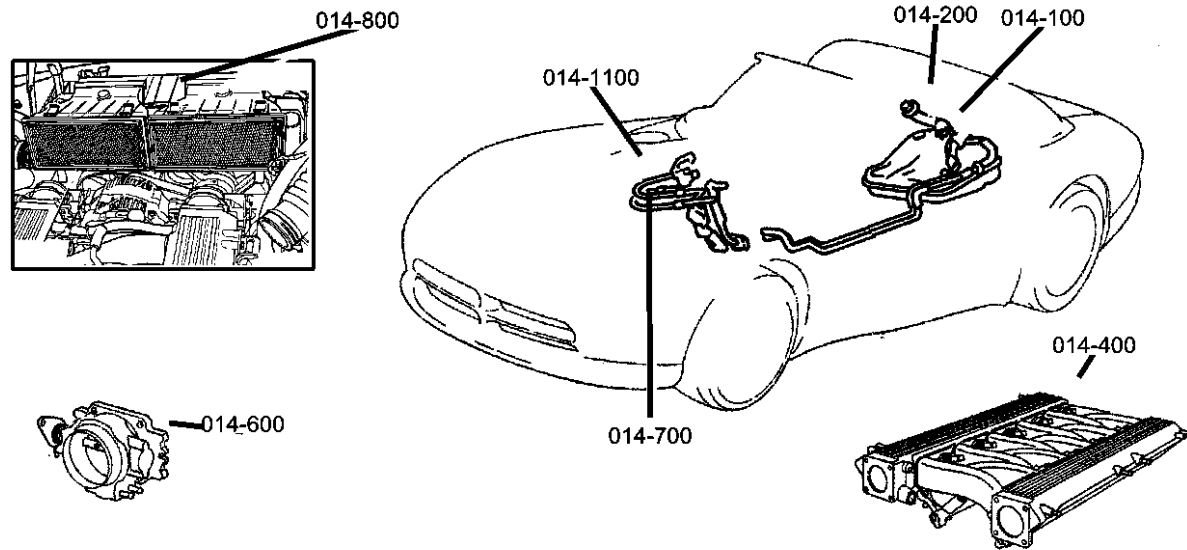
DBB = All Manual Transmissions

AR = use ase required - = Non illustrated part

2005 ZB

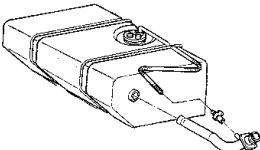

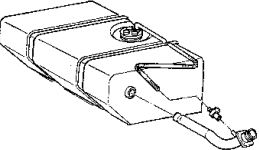

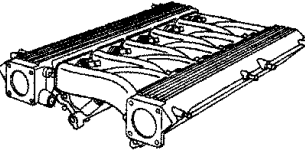
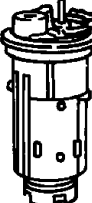
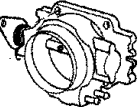
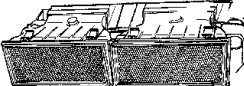
# Group - 14

## Fuel

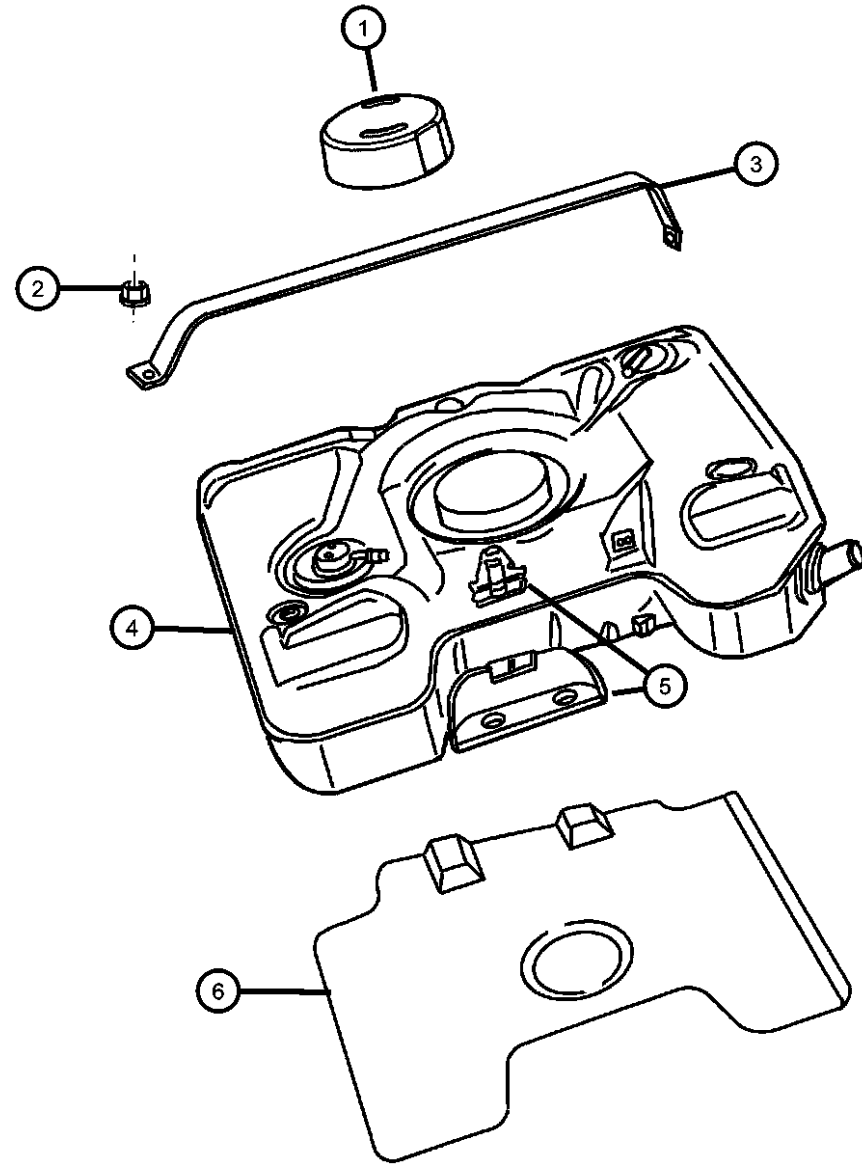


## Group - 14 Fuel

Illustration Title	Group-Fig. No.
<b>Tank, Fuel</b>	
Fuel Tank .....	Fig. 14 - 110
<b>Fuel Tank Filler Tube</b>	
Fuel Filler Tube .....	Fig. 14 - 210
<b>Fuel Lines</b>	
Fuel Lines and Filter .....	Fig. 14 - 310
<b>Fuel Rail</b>	
Fuel Rail .....	Fig. 14 - 410
<b>Fuel Pump and Sending Unit</b>	
Fuel Module .....	Fig. 14 - 510
<b>Throttle Body</b>	
Throttle Body .....	Fig. 14 - 610
<b>Air Cleaner</b>	
Air Cleaner .....	Fig. 14 - 810
<b>Accelerator Pedal</b>	
Accelerator Pedal .....	Fig. 14 - 1110

<p><b>014-100</b> Tank, Fuel</p> 	<p><b>014-1100</b> Accelerator Pedal</p> 	<p><b>014-200</b> Fuel Tank Filler Tube</p> 	<p><b>014-300</b> Fuel Lines</p> 
<p><b>014-400</b> Fuel Rail</p> 	<p><b>014-500</b> Fuel Pump and Sending Unit</p> 	<p><b>014-600</b> Throttle Body</p> 	<p><b>014-800</b> Air Cleaner</p> 

Fuel Tank  
Figure 14-110



ITEM	PART NUMBER	QTY	LINE	SERIES	BODY	ENGINE	TRANS	TRIM	DESCRIPTION
1	05290164AA	1							BLOCKER, Fuel Tank
2									NUT AND WASHER, Hex Nut-Coned Washer, M8 x 1.25
	06504572	2							
		2			27				
3									STRAP, Fuel Tank
	05290089AB	1							Tank Mounted
	05290323AA	2							Frame Mounted
4									TANK, Fuel
	05290097AC	1							
		1			27				
5		1							BRACKET, Serviced with Tank, (NOT SERVICED)
6		1							SHIELD, Fuel Tank Heat
	05290088AD	1							Rear
	05290256AB	1							Front
-7									ISOLATOR, FOAM
	05029519AA	1			27				
		1							
-8	06100048	2							NUT, Hex, M6x1.00
-9	06034645	4							RIVET, .25 Grip-.06-.25, Fuel Tank Straps Attach
-10									TUBE, Vacuum
	05290106AC	1			27				
		1							
-11									TUBE, Fuel Vapor
	05290105AB	1			27				
		1							
-12									TUBE, Fuel Supply
	05290104AE	1			27				
		1							
-13	06100048	2							NUT, Hex, M6x1.00

VIPER (ZB)

SERIES

S = SRT-10

X = Coupe

LINE

D = DODGE

BODY

27 = 2-DR CONVERTIBLE

29 = SPECIALTY COUPE

ENGINE

EWC = Engine - 8.3L V10 SFI

TRANSMISSION

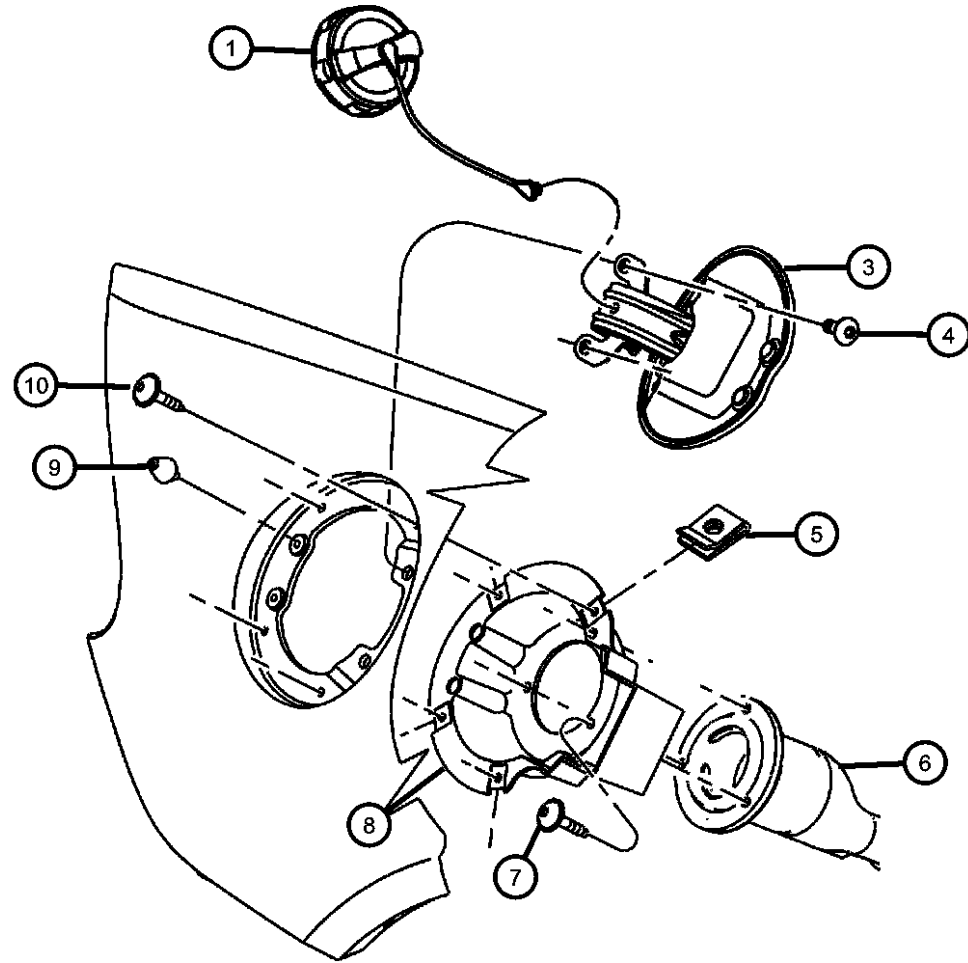
DEC = 6 Speed Manual

DBB = All Manual Transmissions

AR = use ase required - = Non illustrated part

2005 ZB

Fuel Filler Tube  
Figure 14-210



ITEM	PART NUMBER	QTY	LINE	SERIES	BODY	ENGINE	TRANS	TRIM	DESCRIPTION
1	05290145AC	1							CAP, Fuel Filler Up To 04/27/04
	05290145AD	1							After 04/27/04
-2	06502720	1							NUT, Hex Flange Lock, M8x1.25, Ground Strap To Body
3	04865738AB	1							DOOR, Fuel Fill, Paint As Required
4	06504791	2							SCREW, TAPPING, BUTTON HEAD, M6 X 1.00 X 18.00
5	06036491AA	4							NUT, Spring U Type, For .164-18 Screw
6	05290917AC	1							TUBE, Fuel Filler
		1			27				
7		1							SCREW, Attach Filler Tube, (NOT SERVICED)
8	04865906AB	1							HOUSING, Fuel Filler
9	05029238AA	2							BUMPER, Fuel Door
10	05029238AA	2							SCREW, Fuel Filler Housing Attach, (NOT SERVICED)
-11	00153634	3							SCREW
-12	06035556	2							SCREW, Pan Head Tapping, .19-16x.625

VIPER (ZB)

SERIES

S = SRT-10

X = Coupe

LINE

D = DODGE

BODY

27 = 2-DR CONVERTIBLE

29 = SPECIALTY COUPE

ENGINE

EWC = Engine - 8.3L V10 SFI

TRANSMISSION

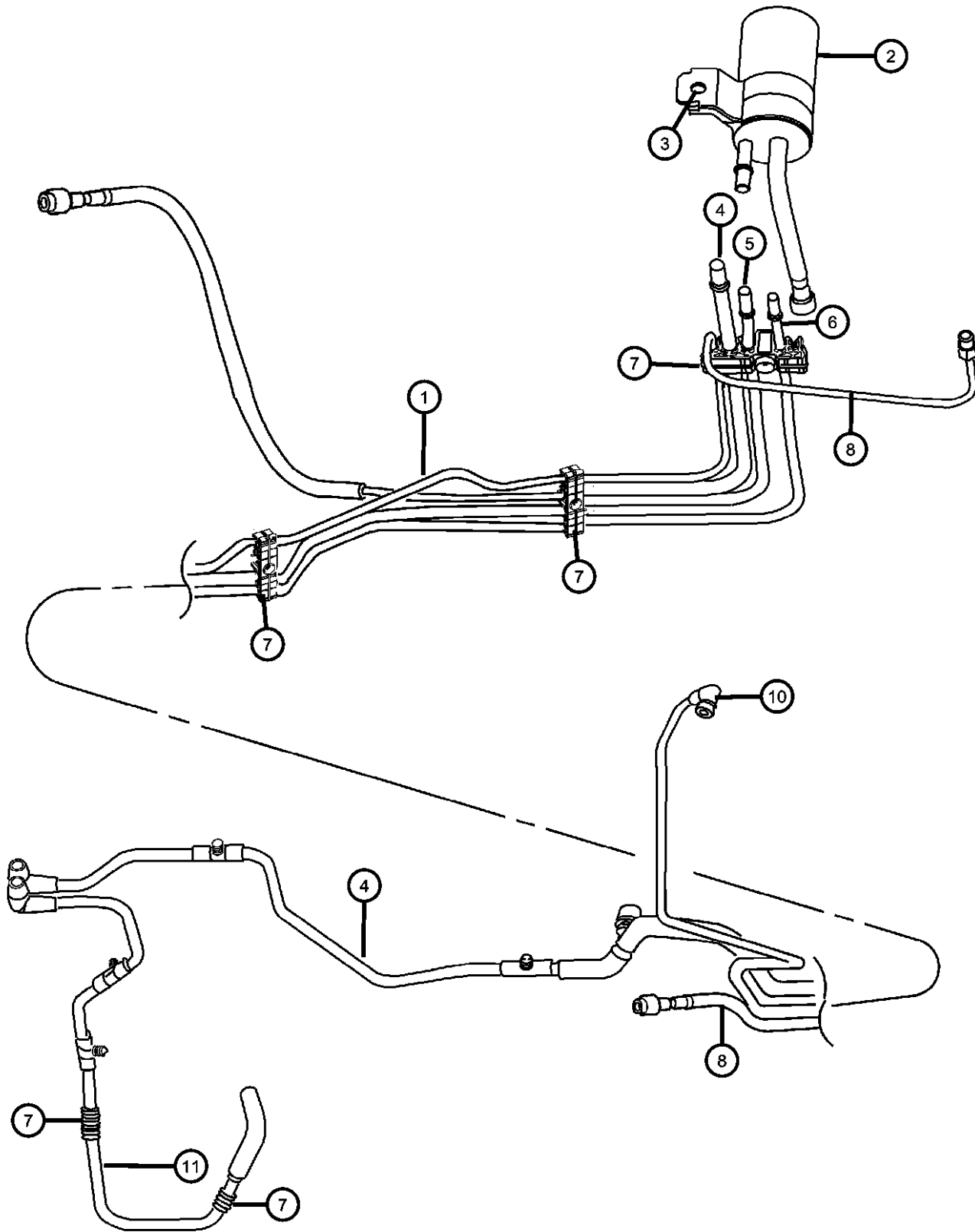
DEC = 6 Speed Manual

DBB = All Manual Transmissions

AR = use ase required - = Non illustrated part

2005 ZB

Fuel Lines and Filter  
Figure 14-310



ITEM	PART NUMBER	QTY	LINE	SERIES	BODY	ENGINE	TRANS	TRIM	DESCRIPTION
	Note; Sales Codes; [EWC] = 8.3L V10 SFI Engine								
1									BUNDLE, Fuel Supply and Vapor Lines
	05290090AC	1							
		1			27				
2	05290801AB	1							FILTER, Fuel
3	06101447	1							NUT AND WASHER, M6x1.00
4	05290105AB	1							TUBE, Fuel Vapor
5	05290104AE	1							TUBE, Fuel Supply, Chassis Line
6	05290106AC	1							TUBE, Vacuum
7	05085043AA	5							CLIP, Fuel Bundle
8	05290103AC	1							TUBE, Brake
9	05290153AA	1				EWC			TUBE, Leak Detection Pump Vacuum Supply
10	05290098AE	1				EWC			HARNES, Engine to Purge Solenoid
-11									SEPARATOR, Fuel Vapor
	05290151AA	1							
		1			27				
-12									TUBE, Fuel Vapor
	05290105AB	1			27				
		1							
-13									TUBE, Vacuum
	05290106AC	1			27				
		1							
-14									FILTER, Fuel Vapor Vent
	04612901	1							
		1			27				
-15									GROMMET, Air Cleaner Bracket
	04669177	2							
		2			27				
-16	06101682	1							BOLT AND CONED WASHER, Hex Head, M6x1.0x20

VIPER (ZB)

SERIES

S = SRT-10

X = Coupe

LINE

D = DODGE

BODY

27 = 2-DR CONVERTIBLE

29 = SPECIALTY COUPE

ENGINE

EWC = Engine - 8.3L V10 SFI

TRANSMISSION

DEC = 6 Speed Manual

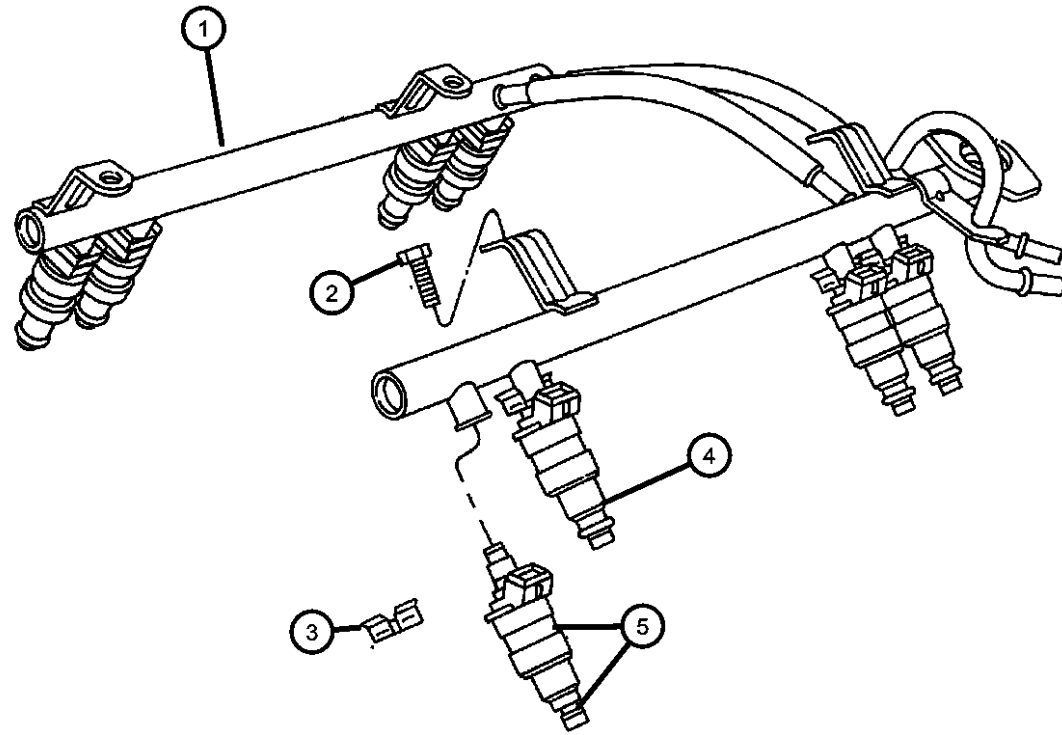
DBB = All Manual Transmissions

AR = use ase required - = Non illustrated part

2005 ZB

**Fuel Rail**  
**Figure 14-410**

ITEM	PART NUMBER	QTY	LINE	SERIES	BODY	ENGINE	TRANS	TRIM	DESCRIPTION
1	05096292AB	1			27	EWC			RAIL, Fuel
2	06035666	13				EWC			SCREW, Hex Flange Head, .25-20x1.00
3	04418257AB	10				EWC			CLIP, Fuel Injector
4	05037224AA	10				EWC			INJECTOR, Fuel
5	04723971	10			27	EWC			O RING PACKAGE, Fuel Injector



**VIPER (ZB)**

SERIES  
 S = SRT-10  
 X = Coupe

LINE  
 D = DODGE

BODY  
 27 = 2-DR CONVERTIBLE  
 29 = SPECIALTY COUPE

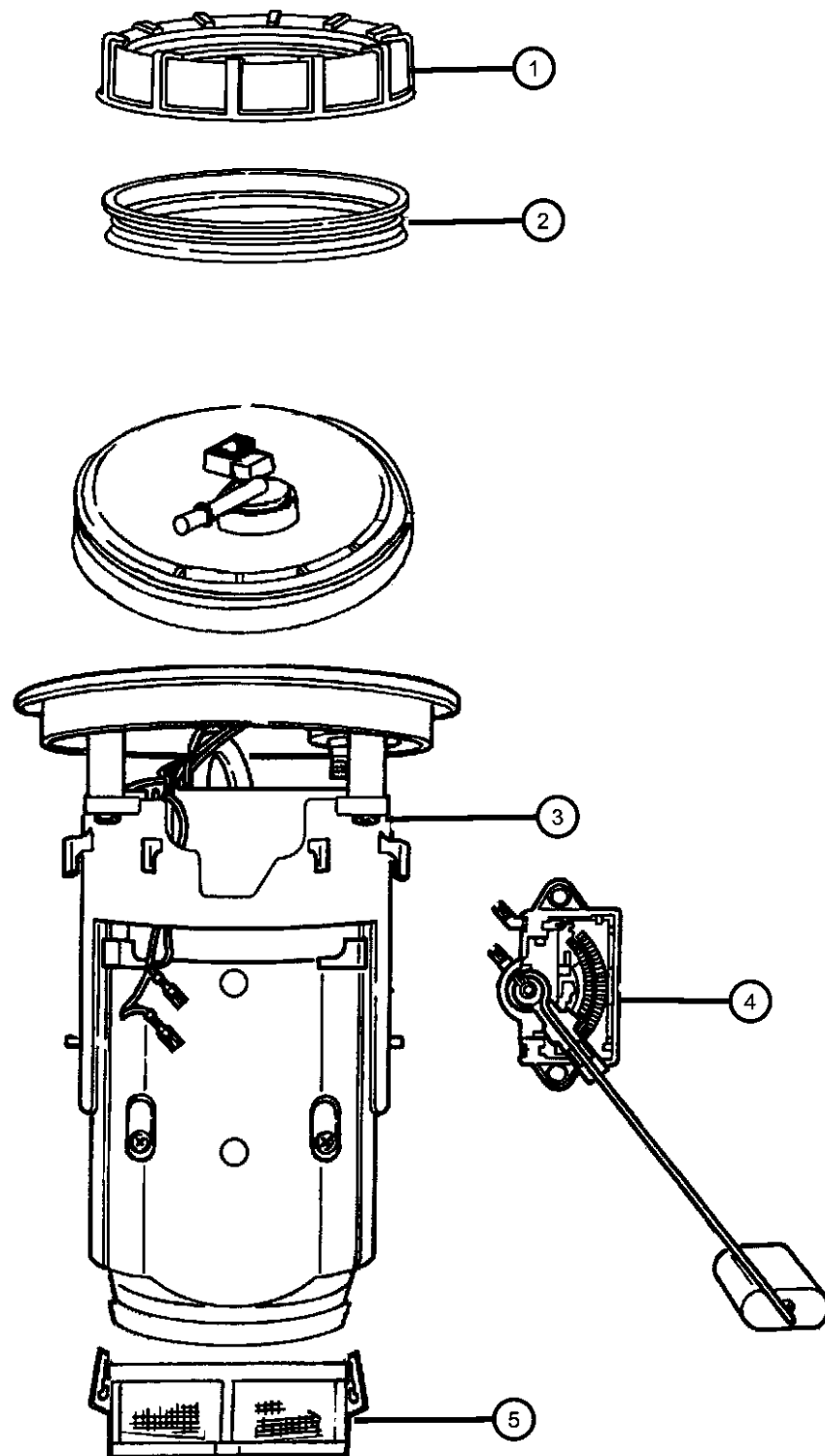
ENGINE  
 EWC = Engine - 8.3L V10 SFI

TRANSMISSION  
 DEC = 6 Speed Manual  
 DBB = All Manual Transmissions

AR = use ase required - = Non illustrated part

Fuel Module  
Figure 14-510

ITEM	PART NUMBER	QTY	LINE	SERIES	BODY	ENGINE	TRANS	TRIM	DESCRIPTION
1	52005389	1							NUT, Fuel Pump Module
		1			27				
2	52018808	1							SEAL, Fuel Pump and Level Unit
		1			27				
3	05086489AA	1							MODULE KIT, Fuel Pump/Level Unit
4	05086615AA	1							LEVEL UNIT KIT, Fuel
5	05086615AA	1							FILTER KIT, Fuel, Serviced in Module, (NOT SERVICED)



VIPER (ZB)

SERIES  
S = SRT-10  
X = Coupe

LINE  
D = DODGE

BODY  
27 = 2-DR CONVERTIBLE  
29 = SPECIALTY COUPE

ENGINE  
EWC = Engine - 8.3L V10 SFI

TRANSMISSION  
DEC = 6 Speed Manual  
DBB = All Manual Transmissions

AR = use ase required - = Non illustrated part

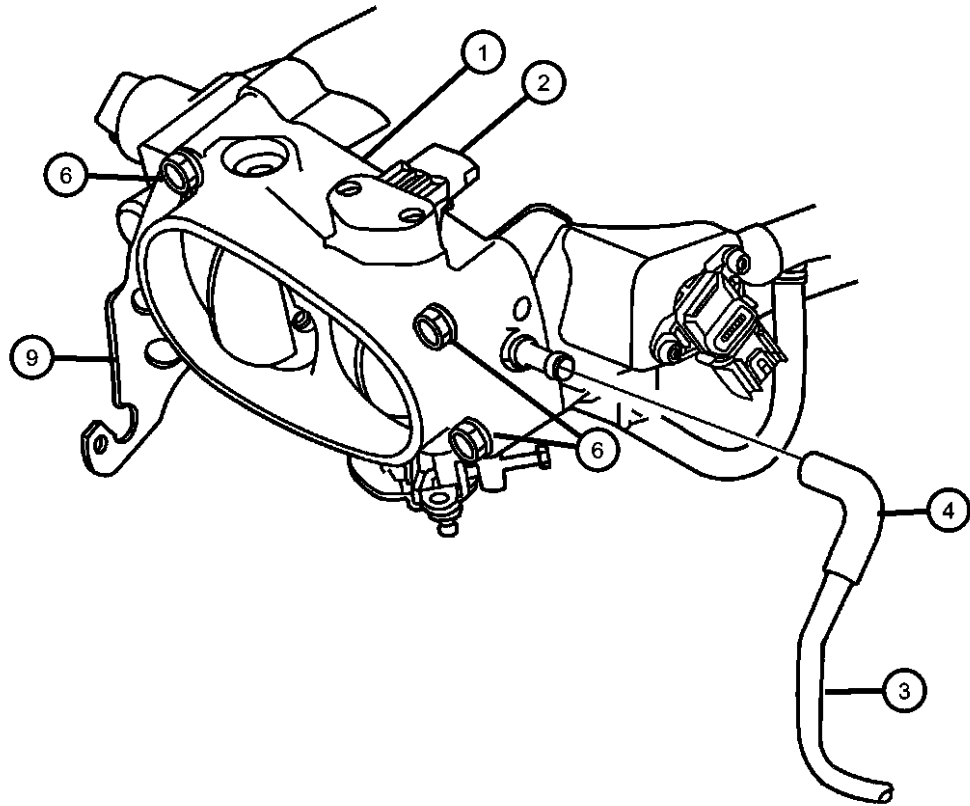
2005 ZB

**Throttle Body  
Figure 14-610**

ITEM	PART NUMBER	QTY	LINE	SERIES	BODY	ENGINE	TRANS	TRIM	DESCRIPTION
------	-------------	-----	------	--------	------	--------	-------	------	-------------

NOTE: Sales Code  
[EWC] = 8.3L V10 SFI Engine

1									THROTTLE BODY
	05037112AD	1			27	EWC			
		1				EWC			
2									SENSOR, Throttle Position
	04686360AC	1			27	EWC			
		1				EWC			
3	05290098AE	1				EWC			HARNES, Engine to Purge Solenoid
4	05290098AE	1							CONNECTOR, Serviced with Harness, (NOT SERVICED)
-5									GASKET, Throttle Body To Intake
	05037191AB	1			27	EWC			
		1				EWC			
6	06035666	4				EWC			SCREW, Hex Flange Head, .25-20x1.00
-7	05037288AC	1							CABLE, Accelerator
-8	04287736	1							RETAINER, Throttle Cable
9									BRACKET, Accelerator Cable
	05037285AE	1			27	EWC			
		1				EWC			
-10									MOTOR KIT, A.I.S.
	04778637AB	1			27	EWC			Up to 8/23/04
	05245352AB	1				EWC			Use 8/24/04 and After
-11	05037342AB	1				EWC			HOSE, Clean Air Tube to A.I.S. Motor
-12	83503642	1			27	EWC			O RING, Throttle Body
-13	06508214AA	2				EWC			SCREW, Pan Head, M5x0.8x16.00, Attach TPS to Throttle Body



**VIPER (ZB)**

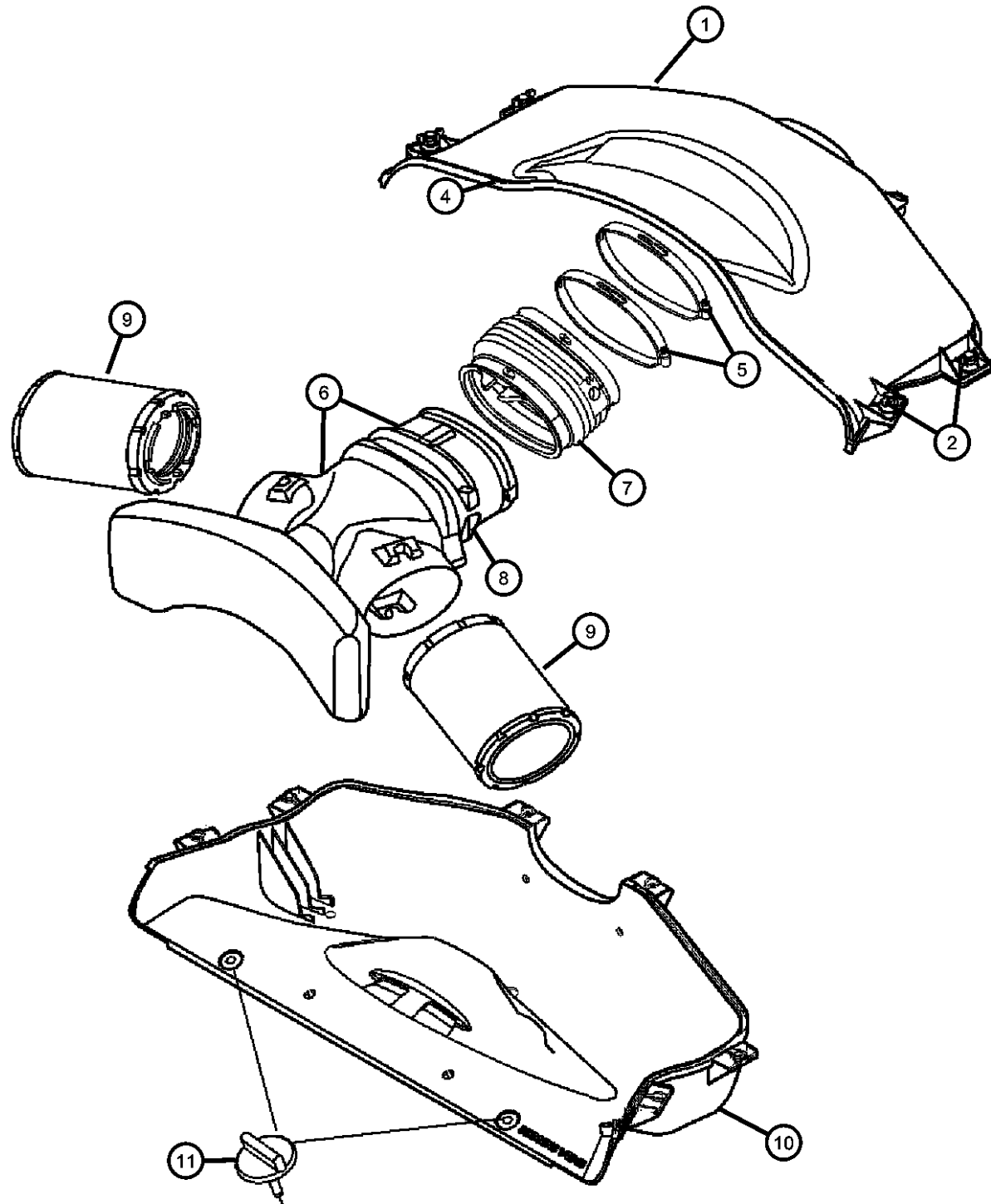
SERIES	LINE	BODY	ENGINE	TRANSMISSION
S = SRT-10	D = DODGE	27 = 2-DR CONVERTIBLE 29 = SPECIALTY COUPE	EWC = Engine - 8.3L V10 SFI	DEC = 6 Speed Manual DBB = All Manual Transmissions
X = Coupe				

AR = use ase required - = Non illustrated part

2005 ZB



**Air Cleaner  
Figure 14-810**



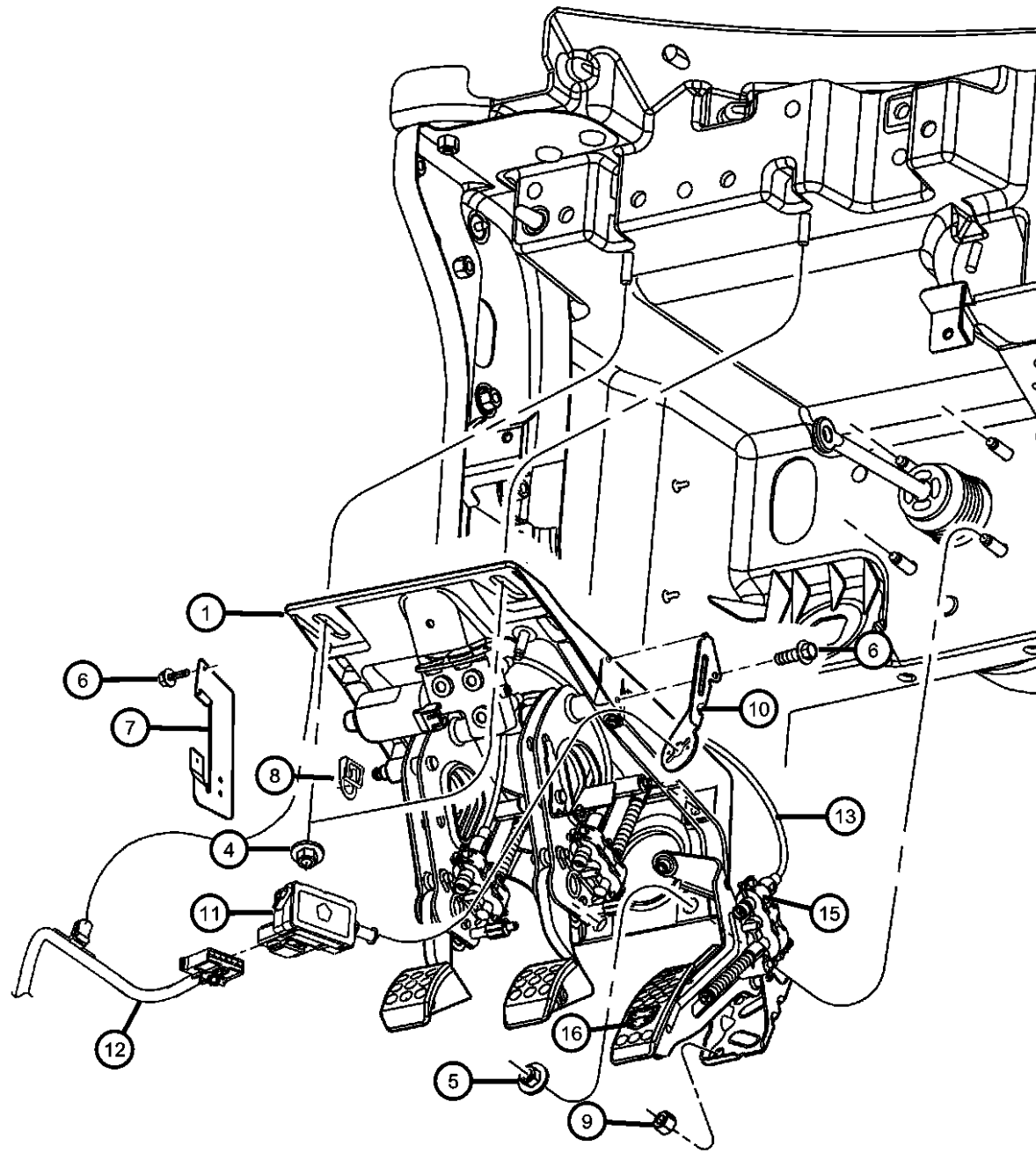
ITEM	PART NUMBER	QTY	LINE	SERIES	BODY	ENGINE	TRANS	TRIM	DESCRIPTION
Note; Sales Codes; [EWC] = 8.3L V10 SFI Engine									
1	05037292AA	1				EWC			COVER, Air Cleaner
2	05066221AB	6				EWC			SCREW, Air Cleaner Cover
-3									WINGNUT, M6-1.00
	06503823	1			27	EWC			
		1				EWC			
4	05029171AB	1							SEAL, Air CleanerFoil
5	05037331AA	2				EWC			CLAMP, Air Cleaner Duct
6	05037295AB	1				EWC			TUBE, Clean Air
7	05037297AB	1				EWC			DUCT, Air Cleaner to Throttle Body
8	04606487AB	1				EWC			SENSOR, Charge Air Temp
9	05037294AB	2				EWC			ELEMENT, Air Cleaner
	P4510940								Performance Air Filter, ZB, 2003-2004, 8.3L
10	05037293AA	1				EWC			BODY, Air Cleaner
11									SCREW, Splash Shield
	04708180	2			27	EWC			
		2				EWC			
-12									CLAMP, Hose, M28.9 x 1.60
	06502018	3							
		3			27				
-13	05037342AB	1				EWC			HOSE, Clean Air Tube to A.I.S. Motor
-14									GROMMET, Air Cleaner Bracket
	04669177	2							
		2			27				

**VIPER (ZB)**

SERIES	LINE	BODY	ENGINE	TRANSMISSION
S = SRT-10	D = DODGE	27 = 2-DR CONVERTIBLE	EWC = Engine - 8.3L V10 SFI	DEC = 6 Speed Manual
X = Coupe		29 = SPECIALTY COUPE		DBB = All Manual Transmissions

AR = use ase required - = Non illustrated part

**Accelerator Pedal  
Figure 14-1110**



ITEM	PART NUMBER	QTY	LINE	SERIES	BODY	ENGINE	TRANS	TRIM	DESCRIPTION
1	05290890AE	1							PEDAL, Brake, Clutch, and Accelerator
-2	04306150	1							ISOLATOR, Throttle Cable
-3	56042387	1							SWITCH, Electric Pedal Adjust
4									NUT AND WASHER
	06506557AA	2							
		2			27				
5	J4003909	4							NUT, Hex Flange With Serration
6	J4003909	4							SCREW, [M5X0.8X10.00], (NOT SERVICED)
7	05029211AC	1							BRACKET, Wiring Harness, After 5/30/03
8	04294036	1							CLIP
9	06101447	2							NUT AND WASHER, M6x1.00
10	05029206AB	1							BRACKET, Stop Lamp Switch
11	05083344AA	1							SWITCH PACKAGE, Stop Lamp
12	05083344AA	1							WIRING, Instrument Panel, See Electrical Group, (NOT SERVICED)
13	05037288AC	1							CABLE, Accelerator
-14									BRACKET, Accelerator Cable
	05037285AE	1			27	EWC			
		1				EWC			
15	04287736	1							RETAINER, Throttle Cable
16	05102047AA	1							PAD, Accelerator Pedal

**VIPER (ZB)**

SERIES	LINE	BODY	ENGINE	TRANSMISSION
S = SRT-10	D = DODGE	27 = 2-DR CONVERTIBLE	EWC = Engine - 8.3L V10 SFI	DEC = 6 Speed Manual
X = Coupe		29 = SPECIALTY COUPE		DBB = All Manual Transmissions

AR = use ase required - = Non illustrated part

# Group - 16

## Propeller Shafts and U-Joints

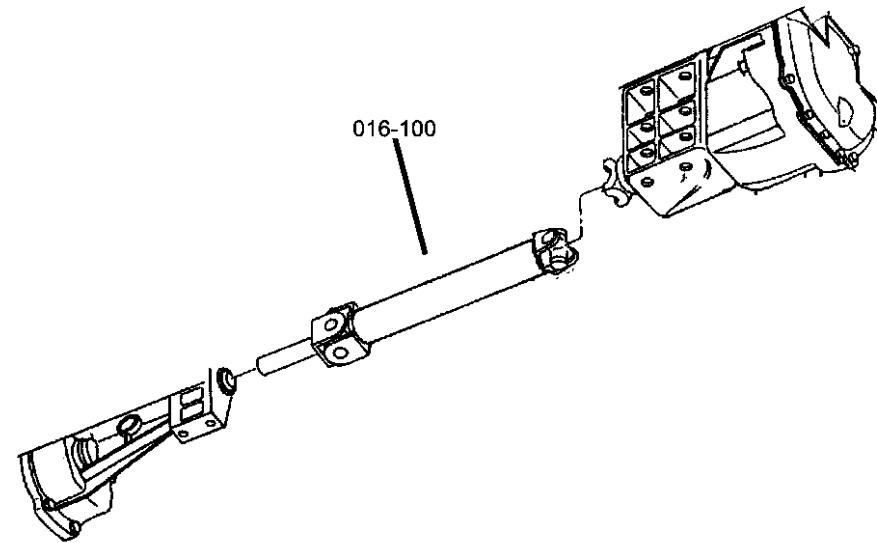
### Group - 16 Propeller Shafts and U-Joints

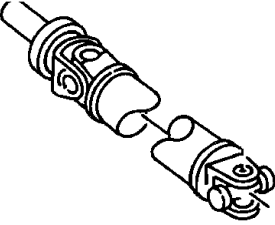
Group-Fig. No.

Illustration Title

#### Propeller Shaft

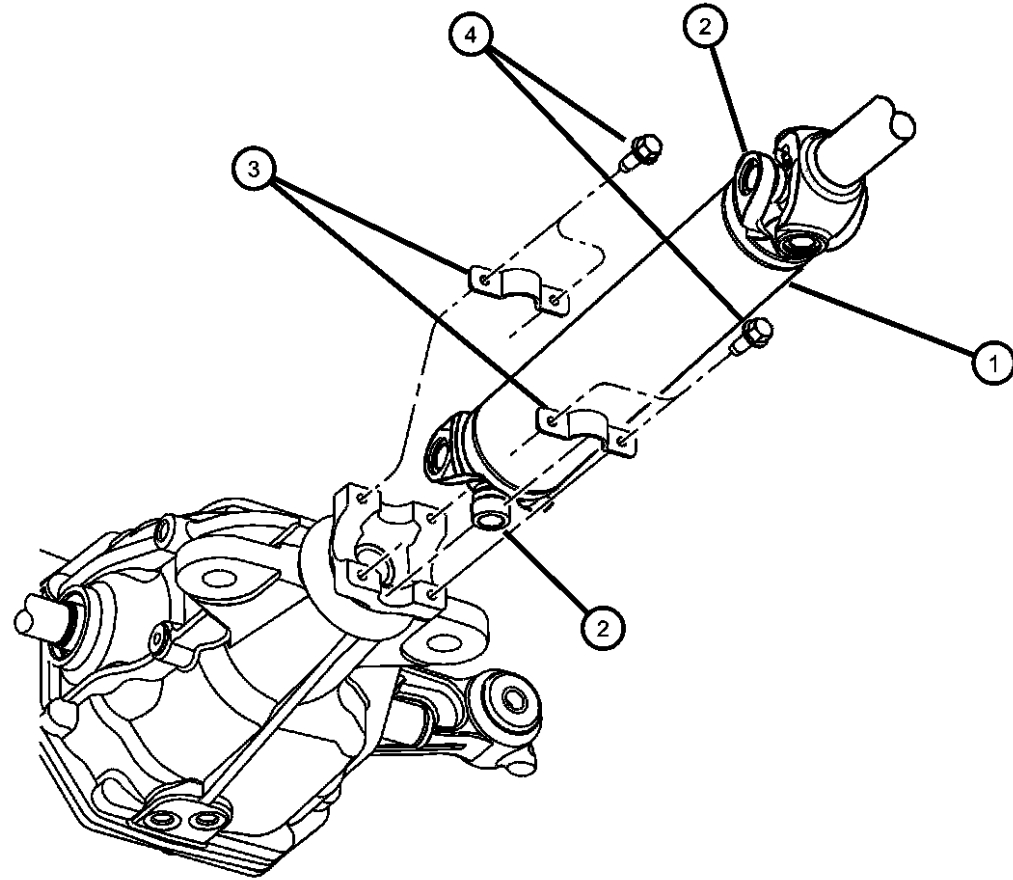
Shaft, Propeller, Rear, 1 Piece ..... Fig. 16 - 110



<p><b>016-100</b> Propeller Shaft</p> 			
--	--	--	--

**Shaft, Propeller, Rear, 1 Piece**  
**Figure 16-110**

ITEM	PART NUMBER	QTY	LINE	SERIES	BODY	ENGINE	TRANS	TRIM	DESCRIPTION
1	05037750AA	1							SHAFT, Drive
2	04797307AB	1							U-JOINT
3	04428723	2							CLAMP, U-Joint
4	06502581	4							BOLT, Hex Flange Head, M8x1.0x19



**VIPER (ZB)**

SERIES  
 S = SRT-10  
 X = Coupe

LINE  
 D = DODGE

BODY  
 27 = 2-DR CONVERTIBLE  
 29 = SPECIALTY COUPE

ENGINE  
 EWC = Engine - 8.3L V10 SFI

TRANSMISSION  
 DEC = 6 Speed Manual  
 DBB = All Manual Transmissions

AR = use ase required - = Non illustrated part

2005 ZB

# Group - 17

## Rear Suspension

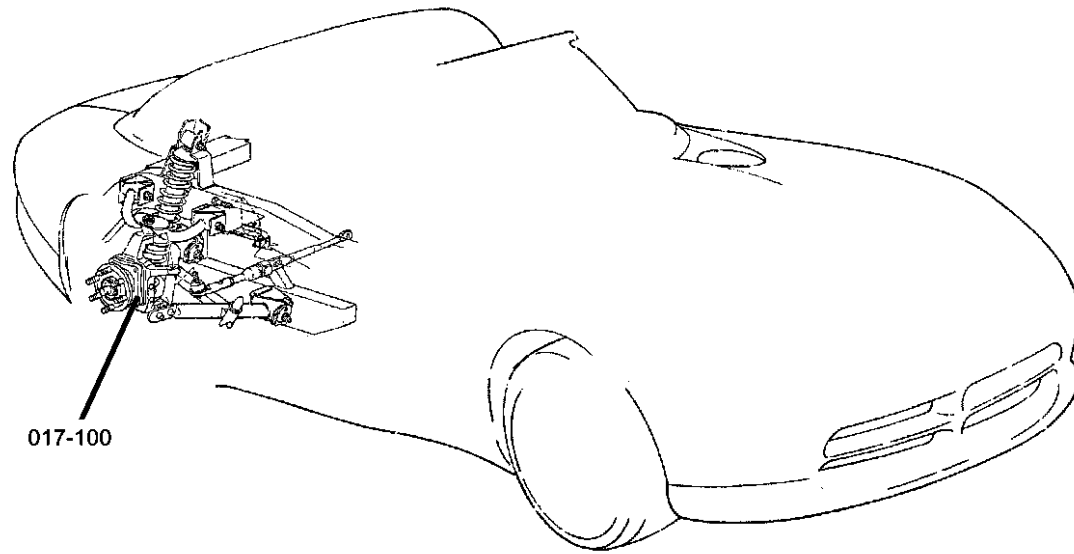
### Group - 17 Rear Suspension

Group-Fig. No.

Illustration Title

#### Rear Suspension

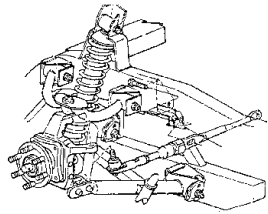
Suspension, Rear .....Fig. 17 - 120



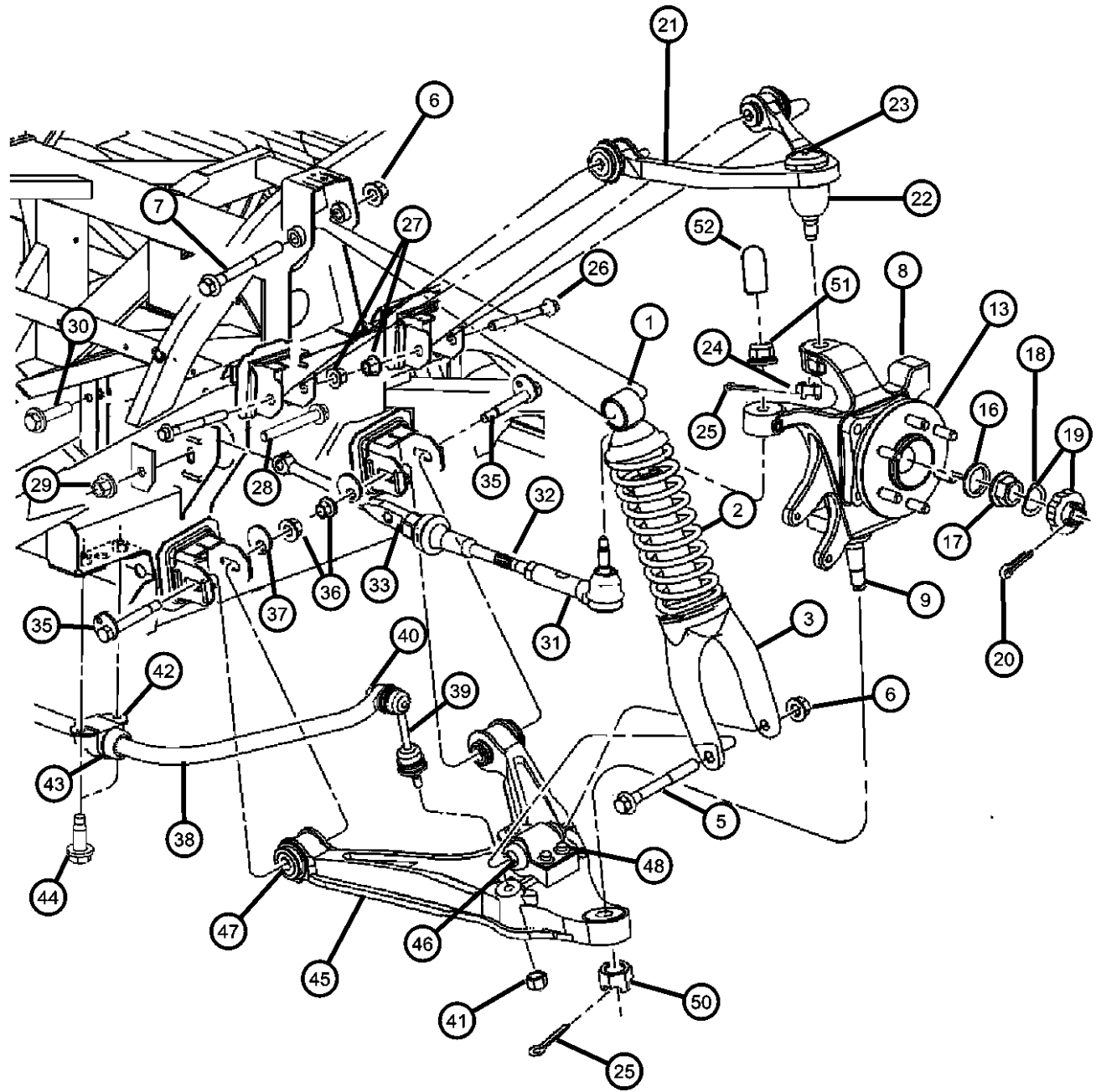
017-100

017-100

Rear Suspension



Suspension, Rear  
Figure 17-120



ITEM	PART NUMBER	QTY	LINE	SERIES	BODY	ENGINE	TRANS	TRIM	DESCRIPTION
------	-------------	-----	------	--------	------	--------	-------	------	-------------

Sales Codes:  
[SDE]= SPORT GROUP

1	05290040AE	2							SHOCK ABSORBER, Suspension, Rear, With Bushings
2	05290263AA	2							SPRING, Rear Coil
3	05290128AB	2							BRACKET, Suspension
-4	05290233AA	4			27				BUSHING, Upper and Lower Shock
5	06102081AA	2							SCREW, Hex Flange Head, M14x2.00x140.00Shock Absorber Lower Mounting
6	06502698	2							NUT, Hex Flange Lock, Shock Attaching
7	06504189	2							SCREW
8									KNUCKLE, Rear
	05134994AA	1							Right
	05134995AA	1							Left
9	05134995AA	1							BALL JOINT, Lower Control Arm, Serviced with Knuckle Only, (NOT SERVICED)
-10	52006404	1							SEAL, Ball Joint
-11	06030099	2							FITTING, Ball Joint, Zirc
-12	04848173	1							GASKET, Ball Joint
13	04848716	1							HUB AND BEARING, Brake
-14	04848171	1							GASKET, Hub and Bearing
-15	06035642	4							SCREW AND WASHER, Hex Head Locking, .50-20x2.25 Grade 8, Hub and Bearing
16	06502293	2							WASHER, Flat, M23x43x4
17	06502294	2							NUT, Hex Flange, M22x1.25
18	05212684	2							WASHER, Wave
19	04293167	2							NUT AND WASHER PACKAGE
20	06500336	2							PIN, Cotter, M5x36.00
21	05290117AA	2							ARM, ControlUpper
22	52006404	1							SEAL, Ball Joint
23	06030099	1							FITTING, Ball Joint, Zirc
24	06035641	2							NUT, Hex, .625-18
25	00120123	2							PIN, Cotter
26	06502046	2							BOLT, Suspension Upper Arm
27	06502585	4							NUT
28	06101707	2							BOLT, M10x1.50x75

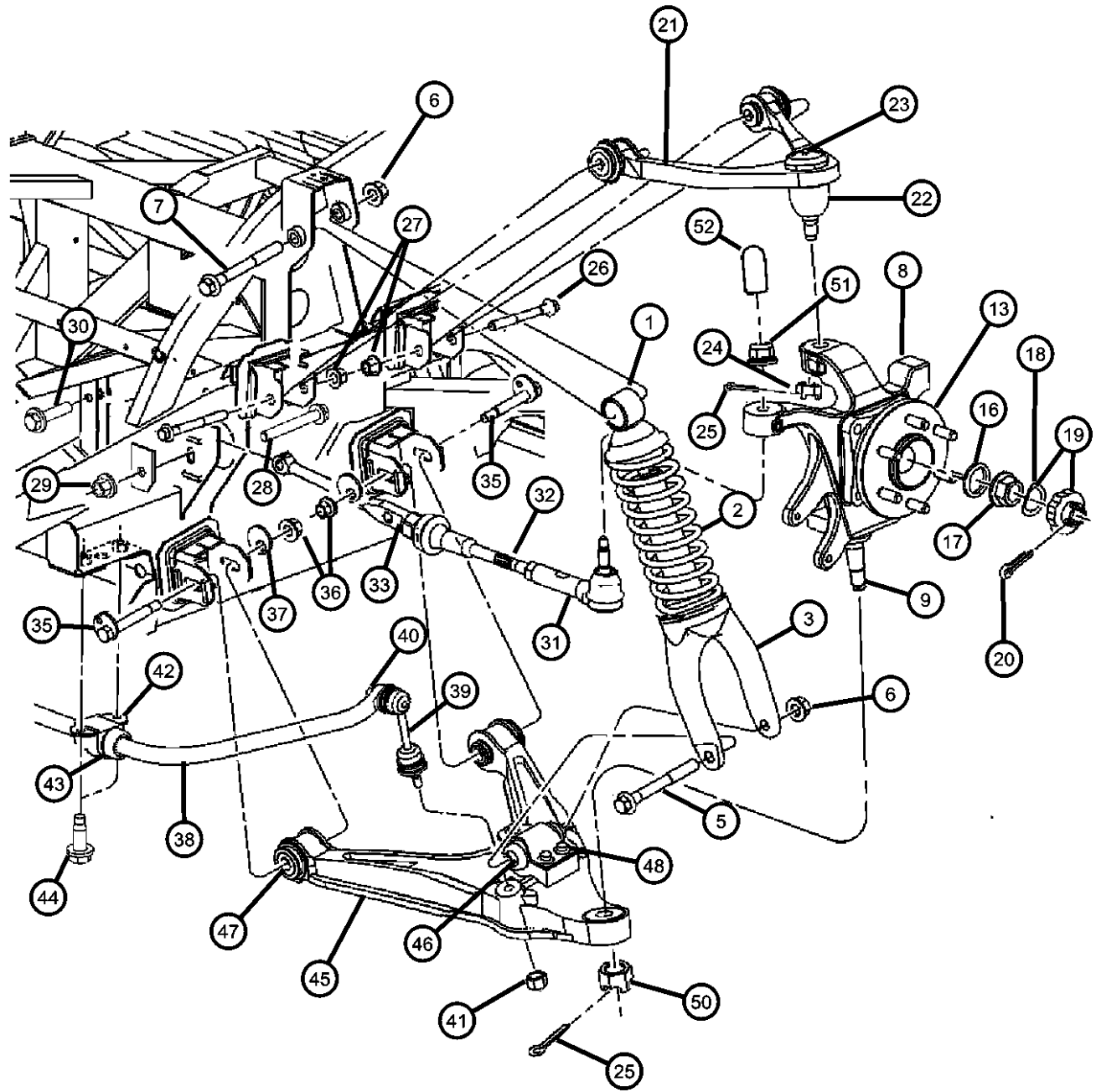
VIPER (ZB)

SERIES	LINE	BODY	ENGINE	TRANSMISSION
S = SRT-10	D = DODGE	27 = 2-DR CONVERTIBLE	EWC = Engine - 8.3L V10 SFI	DEC = 6 Speed Manual
X = Coupe		29 = SPECIALTY COUPE		DBB = All Manual Transmissions

AR = use ase required - = Non illustrated part

2005 ZB

Suspension, Rear  
Figure 17-120



ITEM	PART NUMBER	QTY	LINE	SERIES	BODY	ENGINE	TRANS	TRIM	DESCRIPTION
29	06502337	2							NUT, M10x1.5
30	06101063	2							SCREW AND WASHER, M10x1.5x45
31	05290168AA	2							END, Tie Rod
32	04763159AB	2							LINK, Trailing Rear Suspension
33	04709309	2							ROD, Toe Link
-34									SHIM, Tow Link To Frame
	04643912	AR							[NOM]
	04643914	AR							[4U]
	04643915	AR							[6U]
	04643985	AR							[2D]
	04643986	AR							[4D]
	04643987	AR							[6D]
35	06036525AA	4							BOLT, Control Arm Cam
36	06036467AA	4							NUT, Hex Lock, .50-20
37	06036469AA	4							WASHER, Control Arm
38	05290169AA	1							BAR, Rear Sway
39	04709289	2							LINK, Rear Suspension Assist
40	06100219	2							NUT, Hex Jam, M10x1.5, Link to Bar
41	06502556	2							NUT, Hex, M10-1.5
42	04404219AB	2							RETAINER, Stabilizer Bar Grommet
43	04643004	2							BUSHING, Stabilizer Bar
44	04643004	2							SCREW, M10x1.5x30, (NOT SERVICED)
45									ARM, Control
	05290118AA	1							Lower Right
	05290119AA	1							Lower Left
46	04848052AB	1							BUSHING, With Strap
47	04848050	2							BUSHING, Control Arm
48	06503357	3							BOLT, Hex Flange Head, M10x1.50x55
-49	06101696	3							NUT
50	06035670	4							NUT, Hex
51	06506557AA	2							NUT AND WASHER
52	05290275AA	2							CAP, Ball Joint

VIPER (ZB)

SERIES	LINE	BODY	ENGINE	TRANSMISSION
S = SRT-10	D = DODGE	27 = 2-DR CONVERTIBLE	EWC = Engine - 8.3L V10 SFI	DEC = 6 Speed Manual
X = Coupe		29 = SPECIALTY COUPE		DBB = All Manual Transmissions

AR = use ase required - = Non illustrated part

# Group - 19

## Steering

### Group - 19 Steering

Group-Fig. No.

Illustration Title

#### Steering Wheel

Wheel, Steering .....Fig. 19 - 120

#### Steering Column

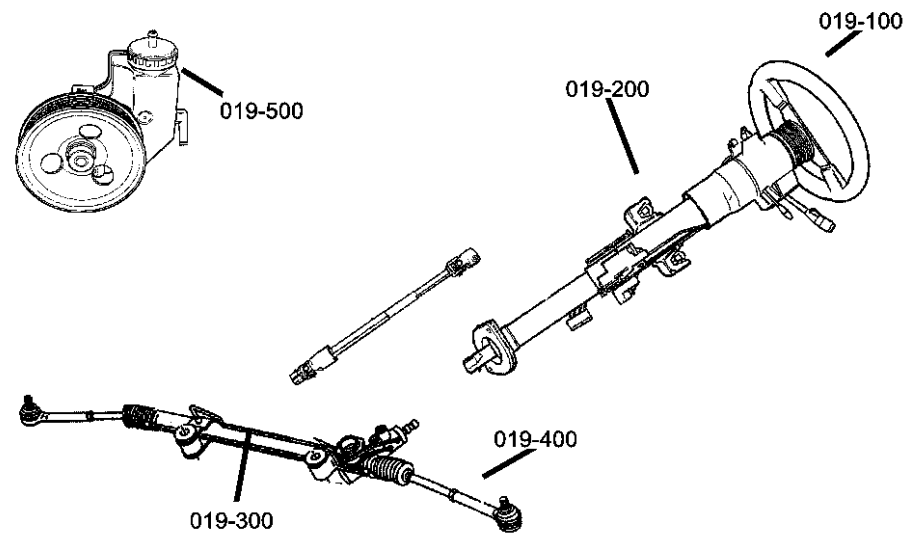
Column Assembly And Mounting .....Fig. 19 - 230

#### Steering Gear

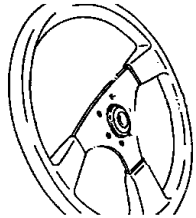
Gear, Rack & Pinion Power And Attaching Parts .....Fig. 19 - 310

#### Power Steering Pump

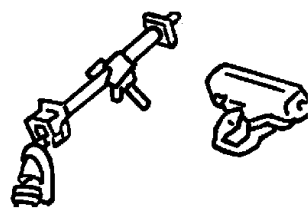
Pump And Hoses, Power Steering .....Fig. 19 - 510



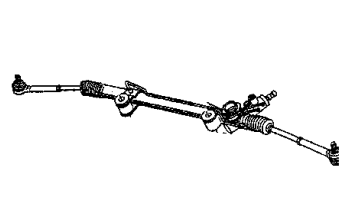
**019-100**  
Steering Wheel



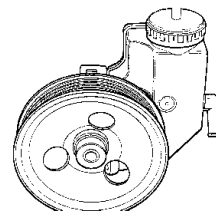
**019-200**  
Steering Column



**019-300**  
Steering Gear



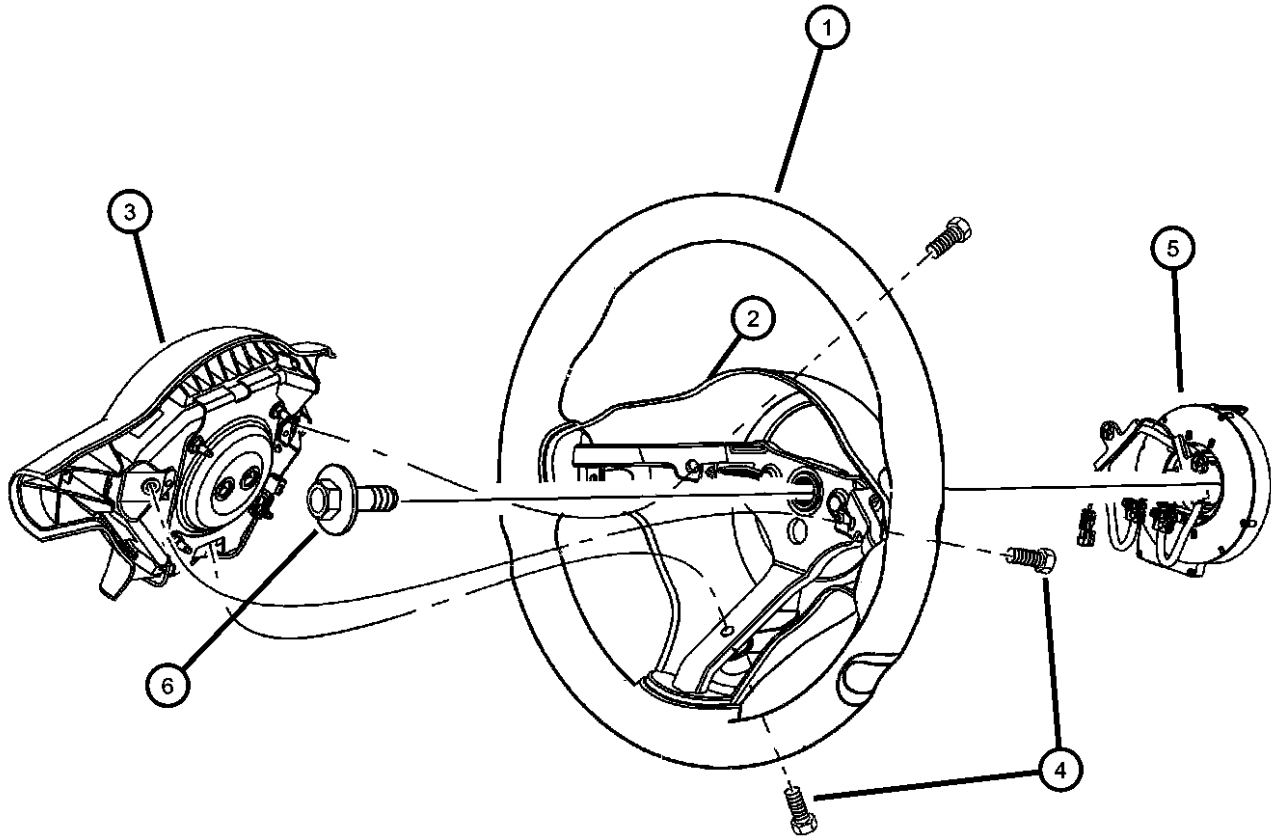
**019-500**  
Power Steering Pump





Wheel, Steering  
Figure 19-120

ITEM	PART NUMBER	QTY	LINE	SERIES	BODY	ENGINE	TRANS	TRIM	DESCRIPTION
1									WHEEL, Steering
	0TQ901B5AA	1							[X9] [SCJ] Leather Wrapped Wheel with [ACC] Commemorative Edition
	0TQ901V5AA	1							[X9] [SCJ] Leather Wrapped Wheel with [AVH] Copperhead Edition
	0TQ901XRAA	1							[XR] [SCJ] Leather Wrapped Steering Wheel
2	0TQ91DX9AA	1							COVER, Steering Wheel
3									AIR BAG, Driver
	0TQ871XRAC	1							Conv.
	0TQ87DX9AC	1							
4	06503771	3							SCREW, Hex Flange Head, M6x1x23Air Bag Module To Steering Wheel
5	04671789AE	1							CLOCKSPRING
6	06505656AA	1							SCREW, Hex Flange Head, M10x1.5x35., Steering Wheel Attaching



VIPER (ZB)

SERIES  
S = SRT-10  
X = Coupe

LINE  
D = DODGE

BODY  
27 = 2-DR CONVERTIBLE  
29 = SPECIALTY COUPE

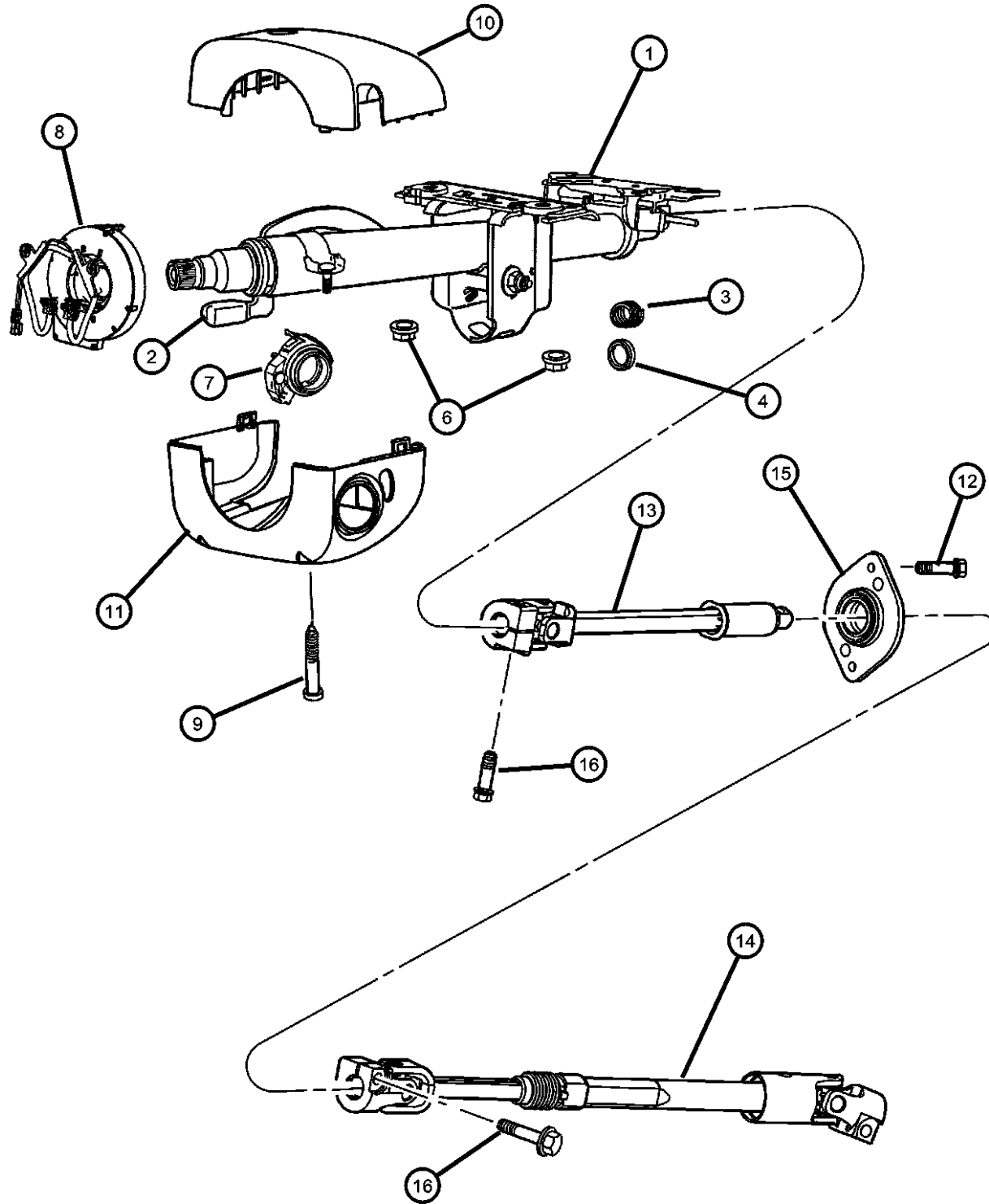
ENGINE  
EWC = Engine - 8.3L V10 SFI

TRANSMISSION  
DEC = 6 Speed Manual  
DBB = All Manual Transmissions

AR = use ase required - = Non illustrated part

2005 ZB

**Column Assembly And Mounting  
Figure 19-230**



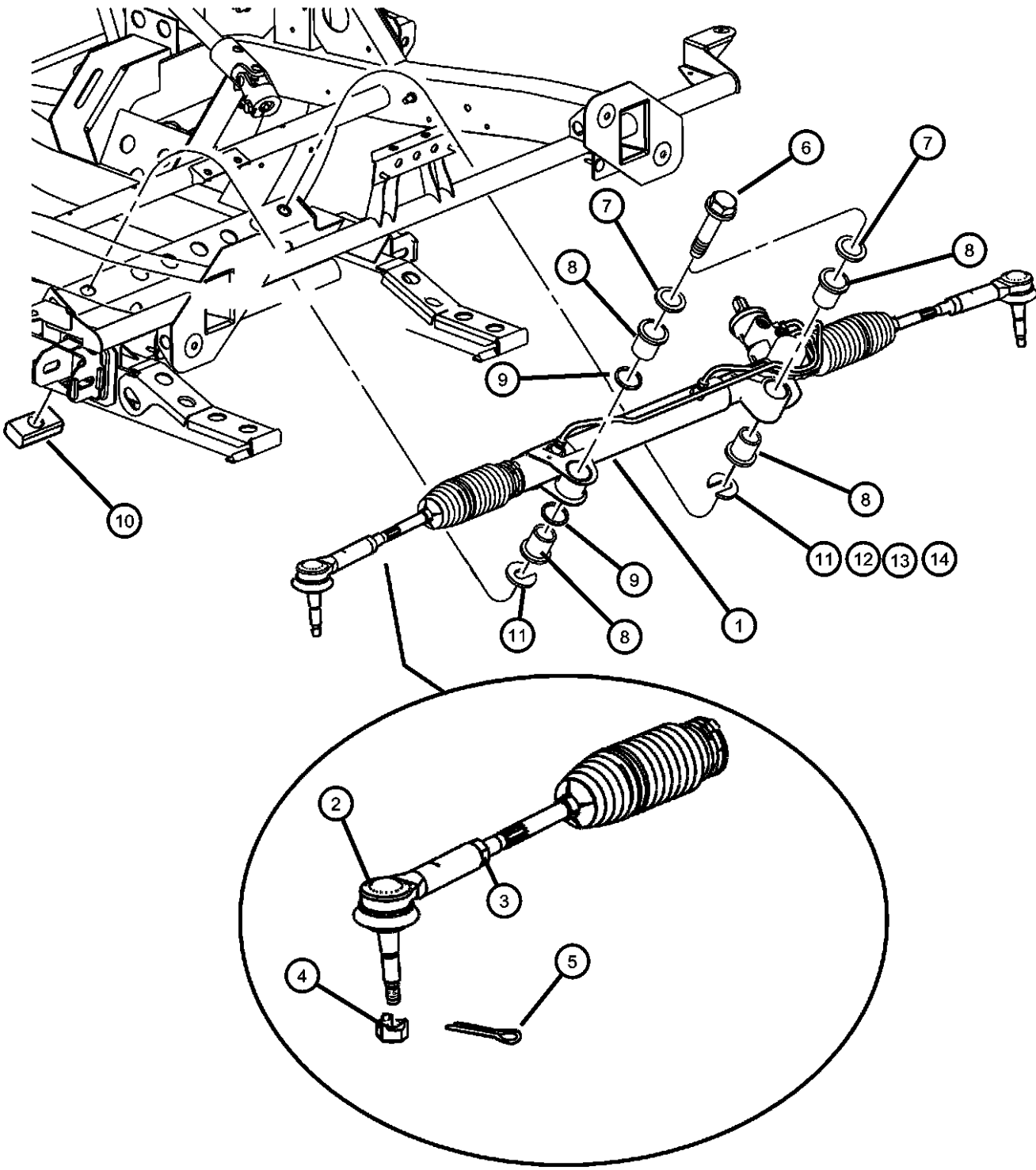
ITEM	PART NUMBER	QTY	LINE	SERIES	BODY	ENGINE	TRANS	TRIM	DESCRIPTION
1	04865679AC	1							COLUMN, Steering, Tilt
	05057370AA	1							Export
2	05057370AA	1							LEVER, Tilt Column Release, Serviced in item # 1, (NOT SERVICED)
3	05057370AA	1							SPRING, (NOT SERVICED)
4	04147362AB	1							BEARING, Steering Column Shaft
-5	04664130	1							RETAINER, Spring
6	06503182	4							NUT AND WASHER, Hex Lock Nut-Coned Teeth Washer, M8 x 1.25
7	04671104	1							LAMP, Ignition Switch
8	04671789AE	1							CLOCKSPRING
9	06035434	2							SCREW AND WASHER, Pan Head, Shrouds Attaching
10	0UC77DX9AA	1							SHROUD, Steering ColumnUpper
11	0UC78DX9AA	1							SHROUD, Steering ColumnLower
12	06102204AA	2							SCREW
13	05290070AD	1							SHAFT, Steering ColumnExtension
14	04865588AC	1							SHAFT, Steering ColumnIntermediate
15	05290187AA	1							BEARING, Steering Column Shaft
16	06504926AA	3							SCREW, Hex Flange Head, M10x1.5x40
-17	04690507AB	1							BEARING, Steering Column
-18	06035021	1							SCREW, Pan Head Tapping, .125-40x.437
-19	04690570	1							WEDGE
-20	06035937AA	2							SCREW, .164-18x1.00
-21	04690101	1							CLAMP, Lock Housing

**VIPER (ZB)**

SERIES	LINE	BODY	ENGINE	TRANSMISSION
S = SRT-10	D = DODGE	27 = 2-DR CONVERTIBLE	EWC = Engine - 8.3L V10 SFI	DEC = 6 Speed Manual
X = Coupe		29 = SPECIALTY COUPE		DBB = All Manual Transmissions

AR = use ase required - = Non illustrated part

**Gear, Rack & Pinion Power And Attaching Parts**  
**Figure 19-310**



ITEM	PART NUMBER	QTY	LINE	SERIES	BODY	ENGINE	TRANS	TRIM	DESCRIPTION
1	04865678AB	1							GEAR, Power Steering
2	05290168AA	2							END, Tie Rod
3									JAM NUT, Outer Tie Rod
	05104685AA	1							Conv.
4	06506557AA	2							NUT AND WASHER Tie Rod To Knuckle
5	00120123	2							PIN, Cotter
6	06033181	2		S					BOLT, Hex Head, .625-11x3.75
7	06034710	2							WASHER, Flat
8	04642116	4							ISOLATOR, Steering Gear
9	04708035	2							O RING, Steering Gear
10	04117796	1							NUT, Pivot Arm
11	04708475	AR							SHIM, Steering Gear, 0.5mm
12	04708070	AR							SHIM, Steering Gear, 1.0mm
13	04708068	AR							SHIM, Steering Gear, 1.5mm
14	04708069	AR							SHIM, Steering Gear, 3.0mm

**VIPER (ZB)**

SERIES  
 S = SRT-10  
 X = Coupe

LINE  
 D = DODGE

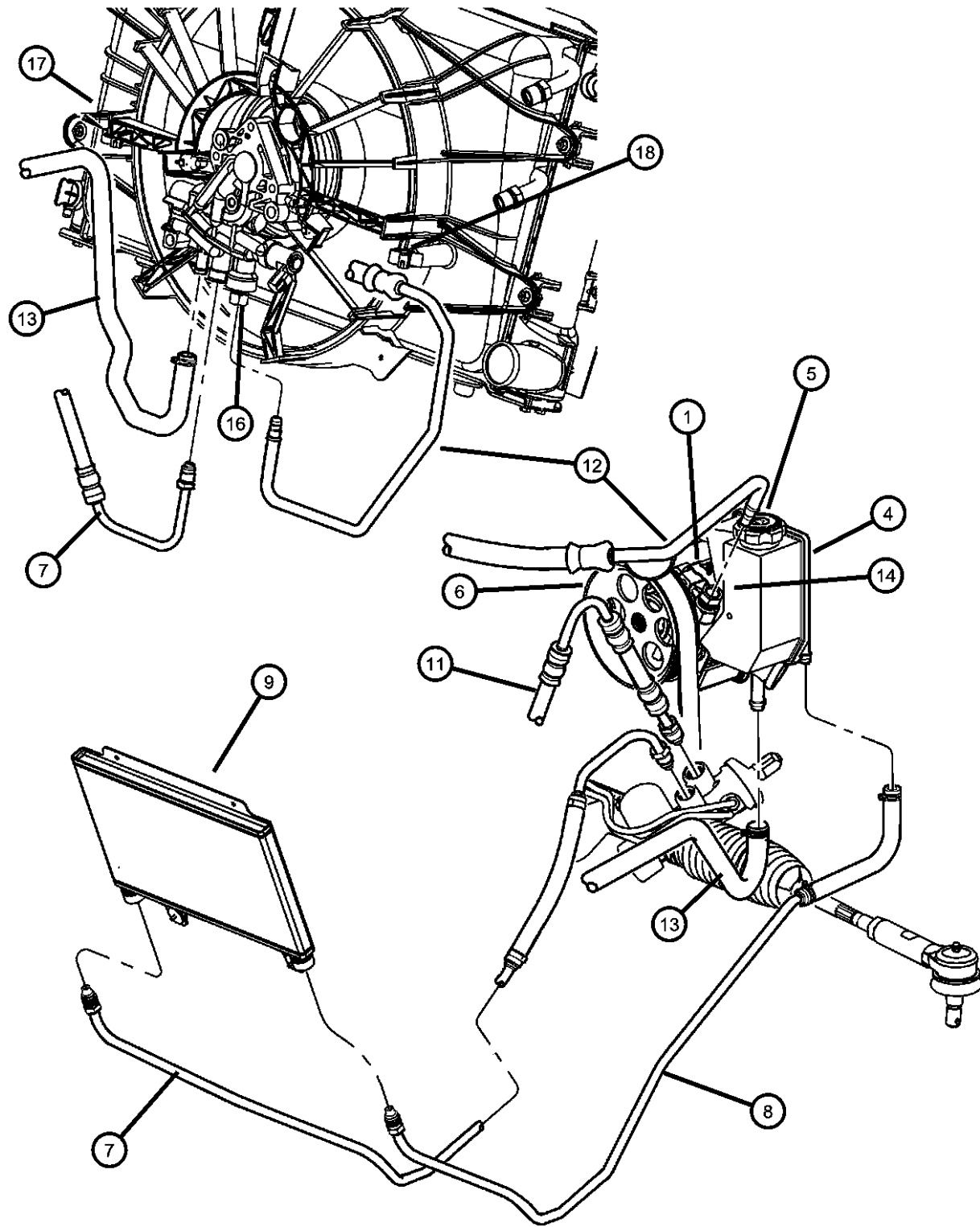
BODY  
 27 = 2-DR CONVERTIBLE  
 29 = SPECIALTY COUPE

ENGINE  
 EWC = Engine - 8.3L V10 SFI

TRANSMISSION  
 DEC = 6 Speed Manual  
 DBB = All Manual Transmissions

AR = use ase required - = Non illustrated part

**Pump And Hoses, Power Steering**  
**Figure 19-510**



ITEM	PART NUMBER	QTY	LINE	SERIES	BODY	ENGINE	TRANS	TRIM	DESCRIPTION
NOTE: Sales Code [EWC] = 8.3L V10 SFI Engine									
1	05093985AA	1				EWC			PUMP, Power Steering
	05166226AA								Mopar Power Steering Fluid Pint
-2	04778797AB	1				EWC			SEAL, Power Steering Pump
-3	02537833	1				EWC			SPRING, Power Steering Pump Flow
4	05103202AA	1				EWC			RESERVOIR, Power Steering Pump, Kit, Contains: 2-Clips, Throat Tube, O'Ring
5	05073626AA	1				EWC			CAP, Power Steering Reservoir
6	05290139AA	1				EWC			PULLEY, Power Steering Pump
7	05290267AB	1							LINE, Power Steering, To Cooler
8	05290269AA	1							HOSE, Power Steering Return
9	05290013AE	1							COOLER, Power Steering
-10	05290238AA	2							CONNECTOR, Quick Type
11	05102281AA	1							LINE, Power Steering, Fan to Steering Gear
12	05102280AA	1							LINE, Power Steering, Steering Pump to Fan
13	05290008AD	1							LINE, Power Steering, Fan to Power Steering Pump
14	52088914AA	1				EWC			FITTING, Quick Disconnect
-15	05019705AA	1				EWC			O RING
16	52088116AB	1							FITTING, Quick Connect
17	52079928AA	1							CLIP, Line
18	05290177AA	1							CLIP, Power Steering Return Hose
-19	06034248	3				EWC			BOLT, P/S Pump Mounting
-20	06100557	2							BOLT AND CONED WASHER, Hex Head, M6x20x14, Cooler Attach To Frame
-21	00154910AA	1							SCREW, P/S Line Attach to Frame

**VIPER (ZB)**

SERIES	LINE	BODY	ENGINE	TRANSMISSION
S = SRT-10	D = DODGE	27 = 2-DR CONVERTIBLE	EWC = Engine - 8.3L V10 SFI	DEC = 6 Speed Manual
X = Coupe		29 = SPECIALTY COUPE		DBB = All Manual Transmissions

AR = use ase required - = Non illustrated part

# Group - T56

## Manual Transmission 6 Speed

### Group - T56 Manual Transmission 6 Speed

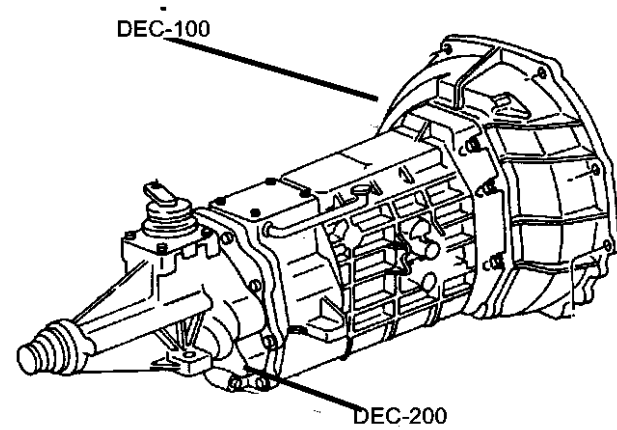


Illustration Title

Group-Fig. No.

#### Transmission

Transmission ..... Fig. T56 - 110

#### Case & Extension

Case & Extension ..... Fig. T56 - 210

#### Transmission Mounting

Transmission Mounting ..... Fig. T56 - 310

Transmission, Rear Mounting ..... Fig. T56 - 320

Skid Plate ..... Fig. T56 - 330

#### Gear Train

Input Shaft, Mainshaft & Countershaft ..... Fig. T56 - 410

Countershaft Extension ..... Fig. T56 - 420

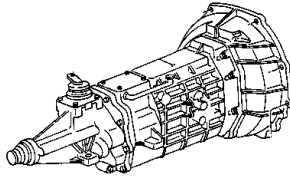
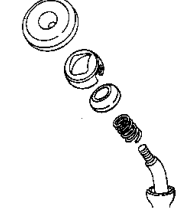
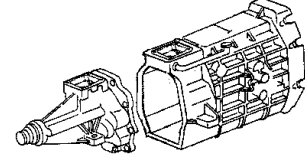
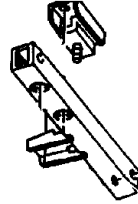
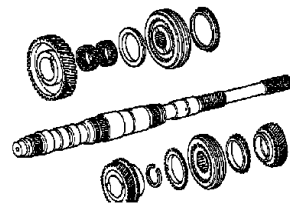
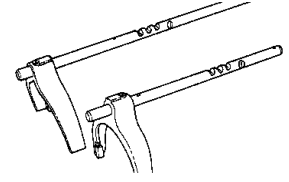
Reverse Idler & Driven Gears ..... Fig. T56 - 430

#### Forks and Rails

Shift Forks & Rails ..... Fig. T56 - 910

#### Gear Shift Controls

Gearshift Control ..... Fig. T56 - 1210

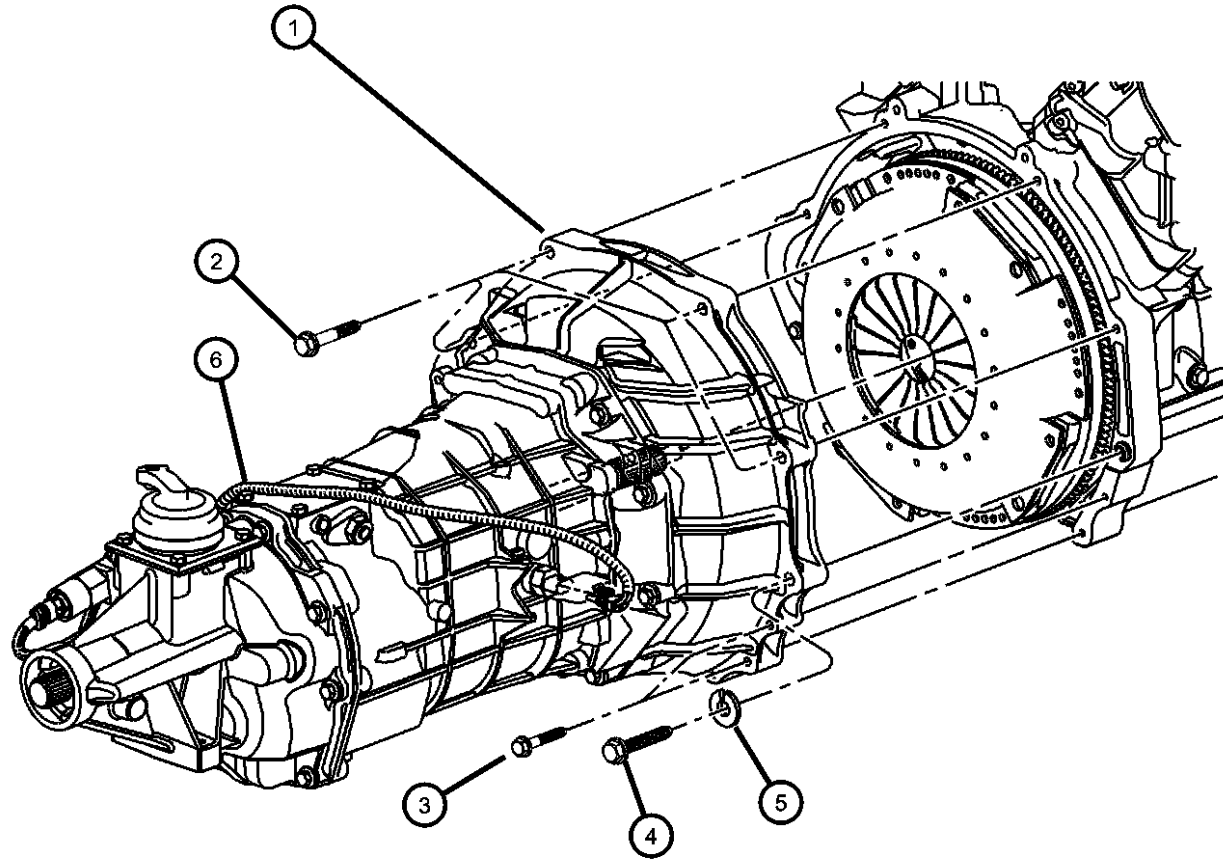
<p><b>T56-100</b> Transmission</p> 	<p><b>T56-1200</b> Gear Shift Controls</p> 	<p><b>T56-200</b> Case &amp; Extension</p> 	<p><b>T56-300</b> Transmission Mounting</p> 
<p><b>T56-400</b> Gear Train</p> 	<p><b>T56-900</b> Forks and Rails</p> 		

**Transmission  
Figure T56-110**

ITEM	PART NUMBER	QTY	LINE	SERIES	BODY	ENGINE	TRANS	TRIM	DESCRIPTION
------	-------------	-----	------	--------	------	--------	-------	------	-------------

NOTE: Service Transmission Does Not Include Clutch Housing.  
Sales Code:  
[DEC]=6 Speed Manual Transmission

1									TRANSMISSION, 6 speed
	05103065AB	1					DEC		With Stamp # [05038002AB]
	05103065AC	1					DEC		With Stamp # [05038002AC]
2	00153371	4							BOLT, Hex Head, .375-16x2.25
3	00154927AA	4							SCREW
4	00181148	2							SCREW, Hex Head, .437-14x2.75
5	09417838	2							WASHER, Flat
6	09417838	2							WIRING, Transmission, See Electrical Group, (NOT SERVICED)



**VIPER (ZB)**

SERIES	LINE	BODY	ENGINE	TRANSMISSION
S = SRT-10	D = DODGE	27 = 2-DR CONVERTIBLE	EWC = Engine - 8.3L V10 SFI	DEC = 6 Speed Manual
X = Coupe		29 = SPECIALTY COUPE		DBB = All Manual Transmissions

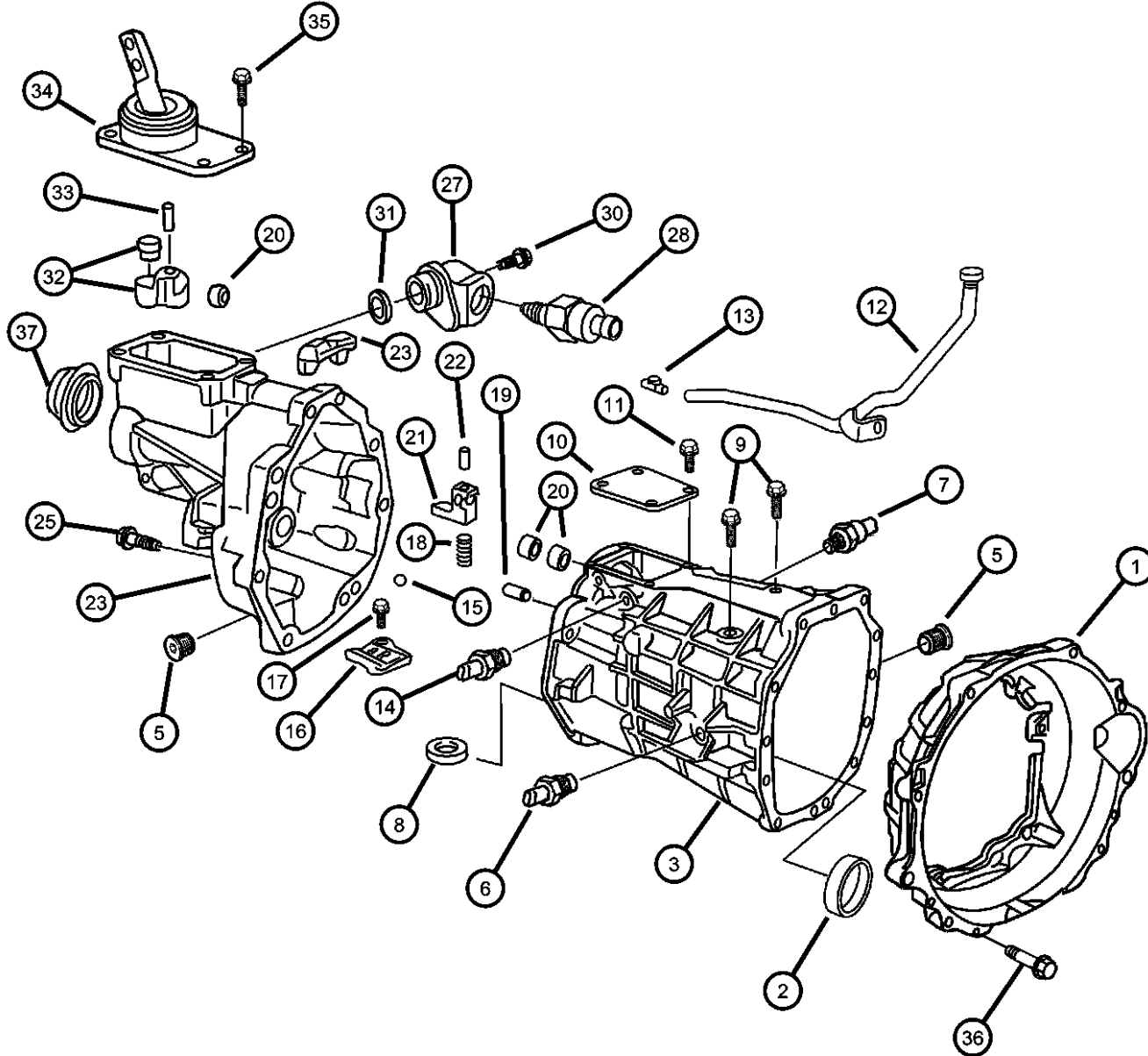
AR = use ase required - = Non illustrated part

2005 ZB

Case & Extension  
Figure T56-210

ITEM	PART NUMBER	QTY	LINE	SERIES	BODY	ENGINE	TRANS	TRIM	DESCRIPTION
------	-------------	-----	------	--------	------	--------	-------	------	-------------

NOTE:  
Sales Codes:  
[DEC]=6 Speed Manual Transmission



1	05093034AA	1					DEC		HOUSING, Clutch
2	04626462	1					DEC		CUP
3	04626460	1					DEC		CASE, Transmission
-4	04626573	1					DEC		BREATHER, Transmission Case
5	04626591	1					DEC		PLUG, Oil Fill
6	04626593	1					DEC		SWITCH, Back Up Lamp
7	04626572	1					DEC		SOLENOID, Transmission Skip Shift
8	04626567	1					DEC		MAGNET, Transmission
9	04626508	2					DEC		BOLT, Shift Lever Guide
10	04626569	1					DEC		PLATE, Transmission Shifter
11	04626571	4					DEC		BOLT, Shifter Cover
12	04626592	1					DEC		VENT, Transmission Pipe
13	04626570	1					DEC		CLIP, Vent Tube
14	04626577	1					DEC		DETENT, Gearshift
15	04626526	1					DEC		BALL, Check
16	04626521	1					DEC		PLATE, Transmission Shifter
17	04626527	2					DEC		BOLT
18	04626523	1					DEC		SPRING, Detent Offset
19	04626513	2					DEC		DOWEL, Transmission Case
20	04626512	1					DEC		BUSHING, Shift Rail
21	04626579	1					DEC		LEVER, OffsetFront
22	04626493	1					DEC		PIN, Roll
23	05093288AA	1					DEC		EXTENSION HOUSING, Transmission
-24	04626461	2					DEC		STUD, Extension Housing
25	04626520	6					DEC		BOLT, Transmission Case
-26	04626568	2					DEC		NUT, Transmission Case
27	04762005	1					DEC		HOUSING, Reverse lockout, Includes Reverse Lockout Solenoid
28	04746271	1					DEC		SOLENOID, Transmission, Reverse Lockout
-29	04762004	1					DEC		O RING
30	04762008	1					DEC		BOLT, Reverse Lockout Solenoid Mounting
31	04762004	1					DEC		O RING
32	05093271AA	1					DEC		LEVER, OffsetRear

VIPER (ZB)

SERIES      LINE  
S = SRT-10    D = DODGE  
X = Coupe

BODY  
27 = 2-DR CONVERTIBLE  
29 = SPECIALTY COUPE

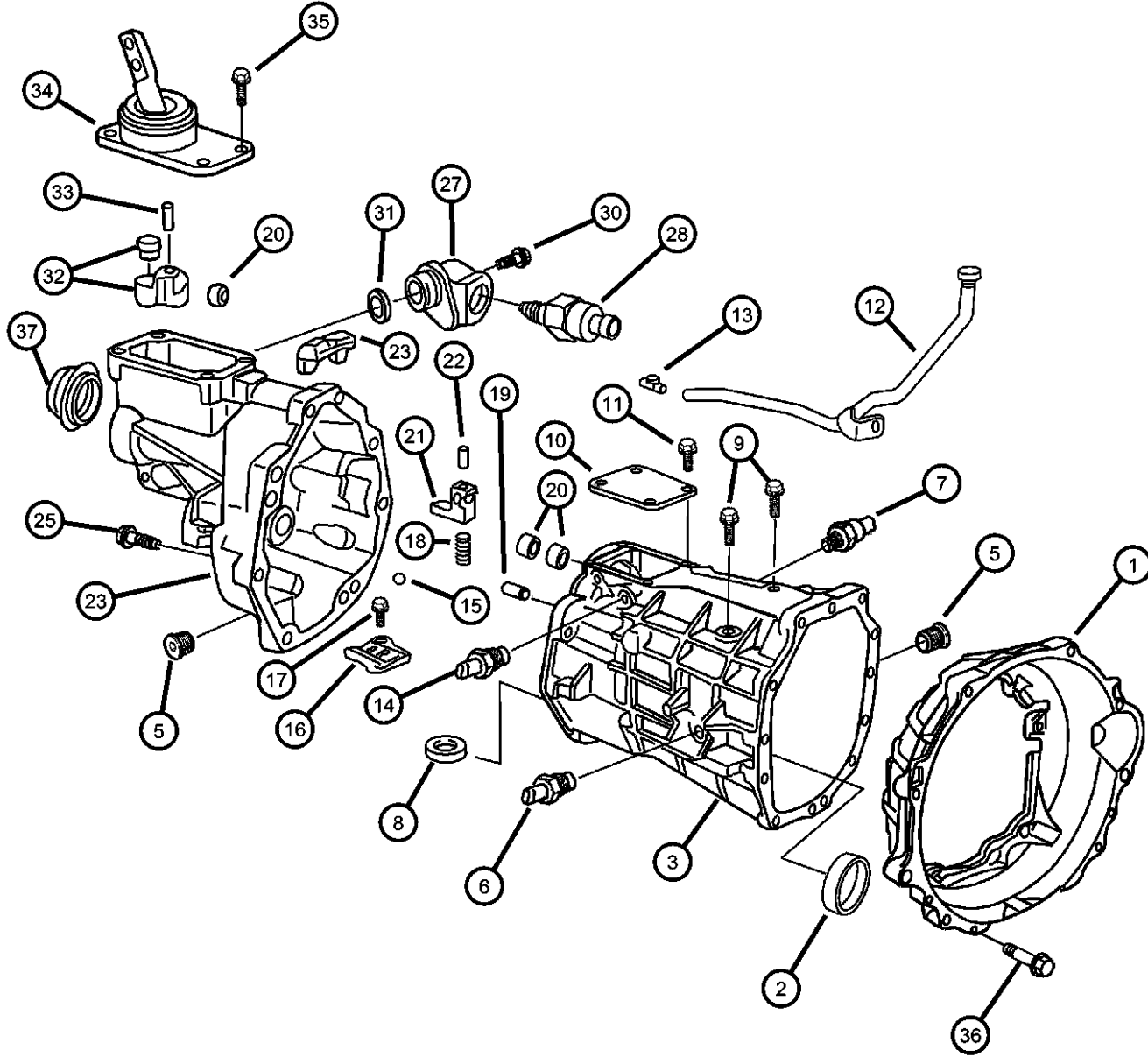
ENGINE      TRANSMISSION  
EWC = Engine - 8.3L V10 SFI    DEC = 6 Speed Manual  
DBB = All Manual Transmissions

AR = use ase required    - = Non illustrated part

2005 ZB

Case & Extension  
Figure T56-210

ITEM	PART NUMBER	QTY	LINE	SERIES	BODY	ENGINE	TRANS	TRIM	DESCRIPTION
33	04626493	1					DEC		PIN, Roll
34	05139505AA	1					DEC		LEVER, Gearshift
35	04626571	4					DEC		BOLT, Shifter Cover
36	04626520	11					DEC		BOLT, Transmission Case
37	04531216AB	1					DEC		SEAL, Output Shaft



VIPER (ZB)

SERIES  
S = SRT-10  
X = Coupe

LINE  
D = DODGE

BODY  
27 = 2-DR CONVERTIBLE  
29 = SPECIALTY COUPE

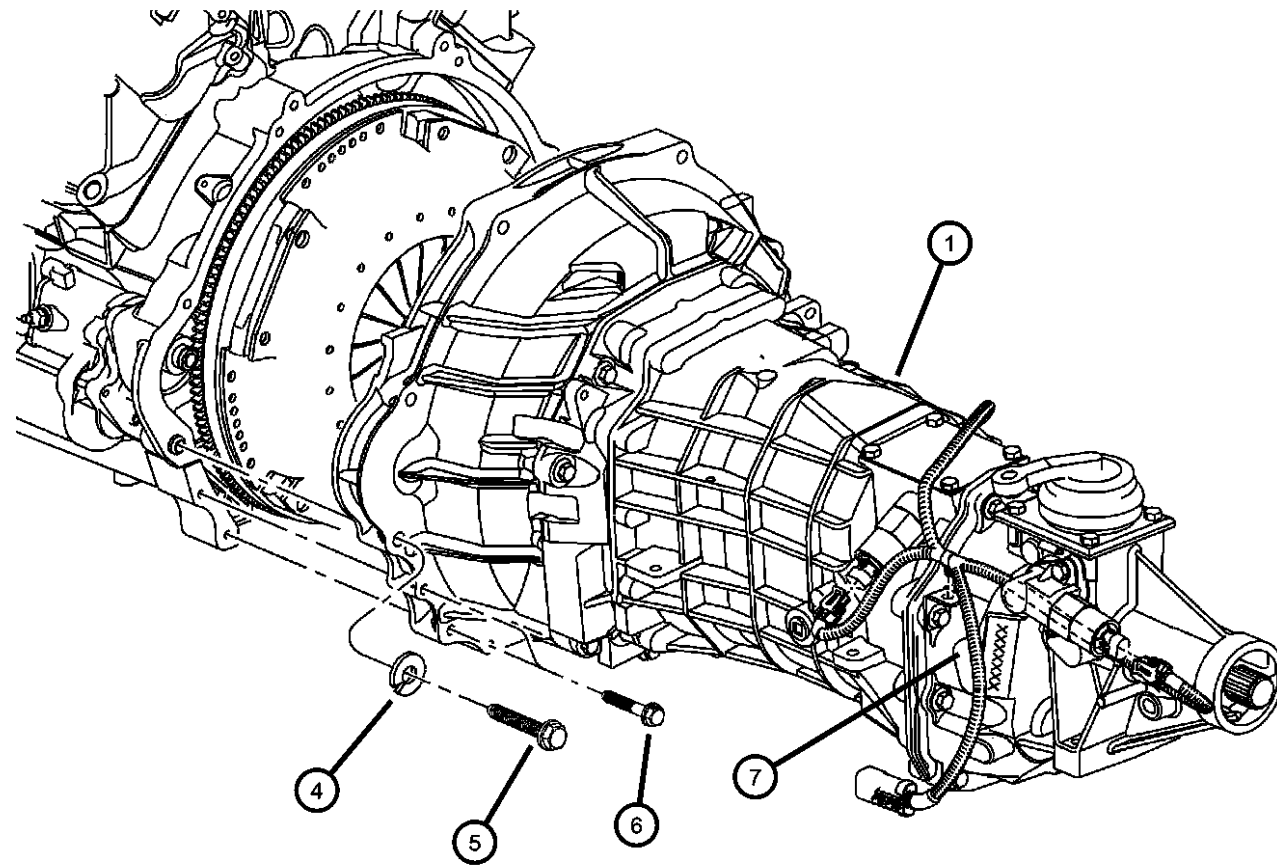
ENGINE  
EWC = Engine - 8.3L V10 SFI  
TRANSMISSION  
DEC = 6 Speed Manual  
DBB = All Manual Transmissions

AR = use ase required - = Non illustrated part

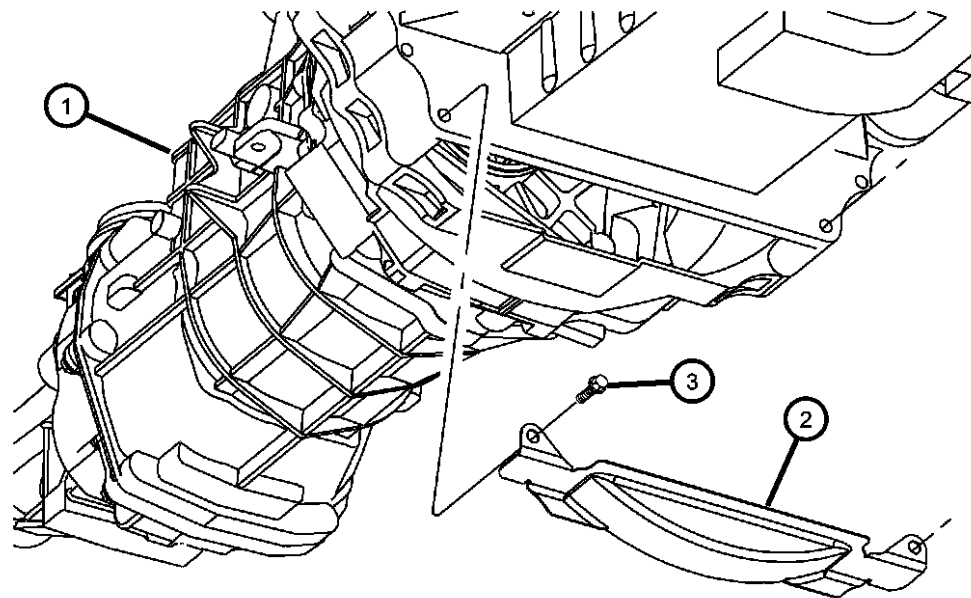
2005 ZB



**Transmission Mounting  
Figure T56-310**



ITEM	PART NUMBER	QTY	LINE	SERIES	BODY	ENGINE	TRANS	TRIM	DESCRIPTION
1	04531216AB	1							TRANSMISSION, 6 speed, See Illustration #110, (NOT SERVICED)
2	05037330AD	1							COVER, Transmission Dust
3	06035666	2							SCREW, Hex Flange Head, .25-20x1.00
4	09417838	2							WASHER, Flat
5	00181148	2							SCREW, Hex Head, .437-14x2.75
6	00154927AA	4							SCREW
7	00154927AA	4							WIRING, Transmission, See Electrical Group, (NOT SERVICED)



**VIPER (ZB)**

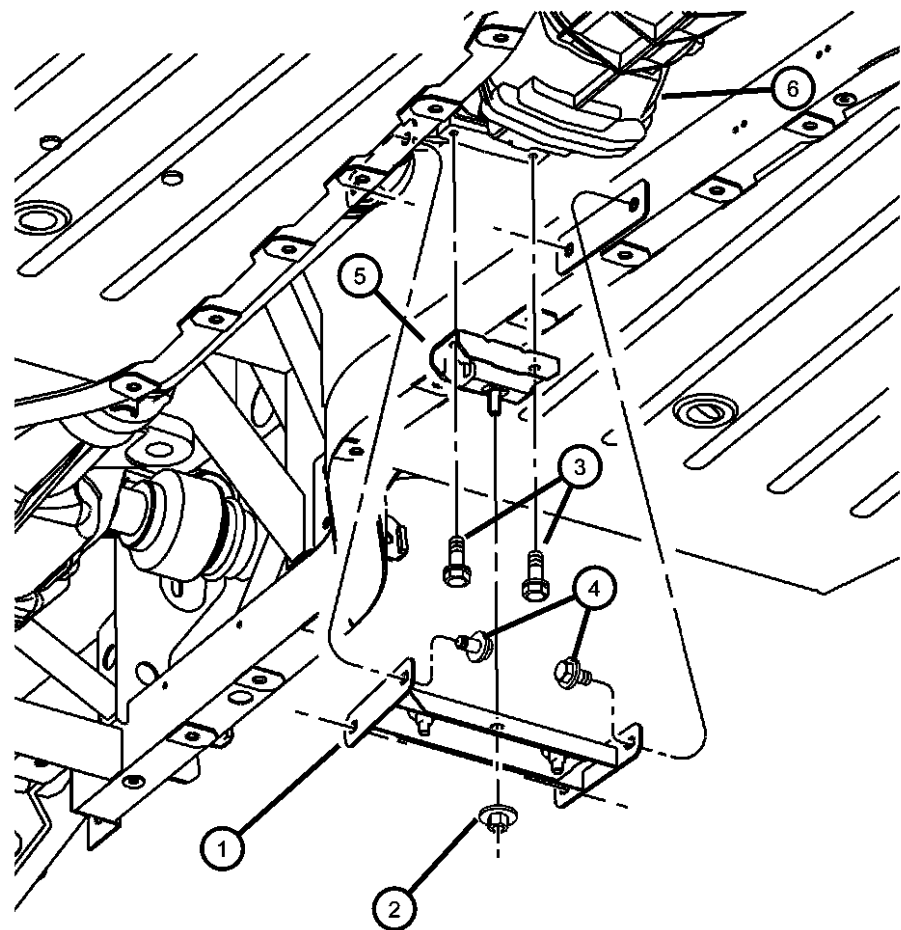
SERIES	LINE	BODY	ENGINE	TRANSMISSION
S = SRT-10	D = DODGE	27 = 2-DR CONVERTIBLE	EWC = Engine - 8.3L V10 SFI	DEC = 6 Speed Manual
X = Coupe		29 = SPECIALTY COUPE		DBB = All Manual Transmissions

AR = use ase required - = Non illustrated part

2005 ZB

Transmission, Rear Mounting  
Figure T56-320

ITEM	PART NUMBER	QTY	LINE	SERIES	BODY	ENGINE	TRANS	TRIM	DESCRIPTION
1	05037263AA	1							CROSSMEMBER, Transmission
2	06101761	1							NUT, Coned Washer, M10 x 1.50
3	06501596	2							SCREW AND WASHER, Hex Head, M10x1.5x45
4	06101058	4							BOLT AND WASHER, Hex Head, M10x1.50x20
5	04643318	1							MOUNT, Transmission
6	04643318	1							TRANSMISSION, 6 speed, See Illustration 110, (NOT SERVICED)



VIPER (ZB)

SERIES  
S = SRT-10  
X = Coupe

LINE  
D = DODGE

BODY  
27 = 2-DR CONVERTIBLE  
29 = SPECIALTY COUPE

ENGINE  
EWC = Engine - 8.3L V10 SFI

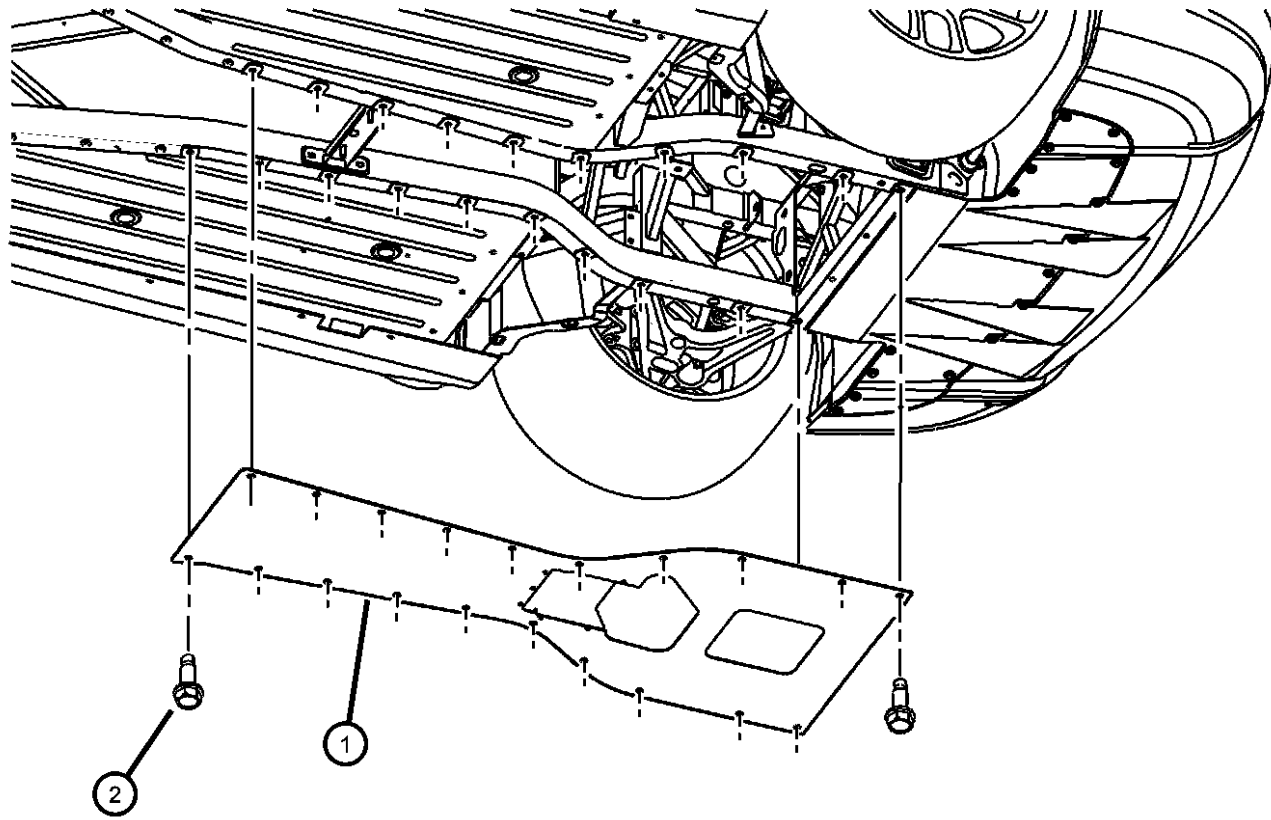
TRANSMISSION  
DEC = 6 Speed Manual  
DBB = All Manual Transmissions

AR = use ase required - = Non illustrated part

2005 ZB

**Skid Plate  
Figure T56-330**

ITEM	PART NUMBER	QTY	LINE	SERIES	BODY	ENGINE	TRANS	TRIM	DESCRIPTION
1	05290078AE	1							BELLY PAN, Rear
2	06505070AA	20							SCREW, Pan Head



**VIPER (ZB)**  
 SERIES  
 S = SRT-10  
 X = Coupe

LINE  
 D = DODGE

BODY  
 27 = 2-DR CONVERTIBLE  
 29 = SPECIALTY COUPE

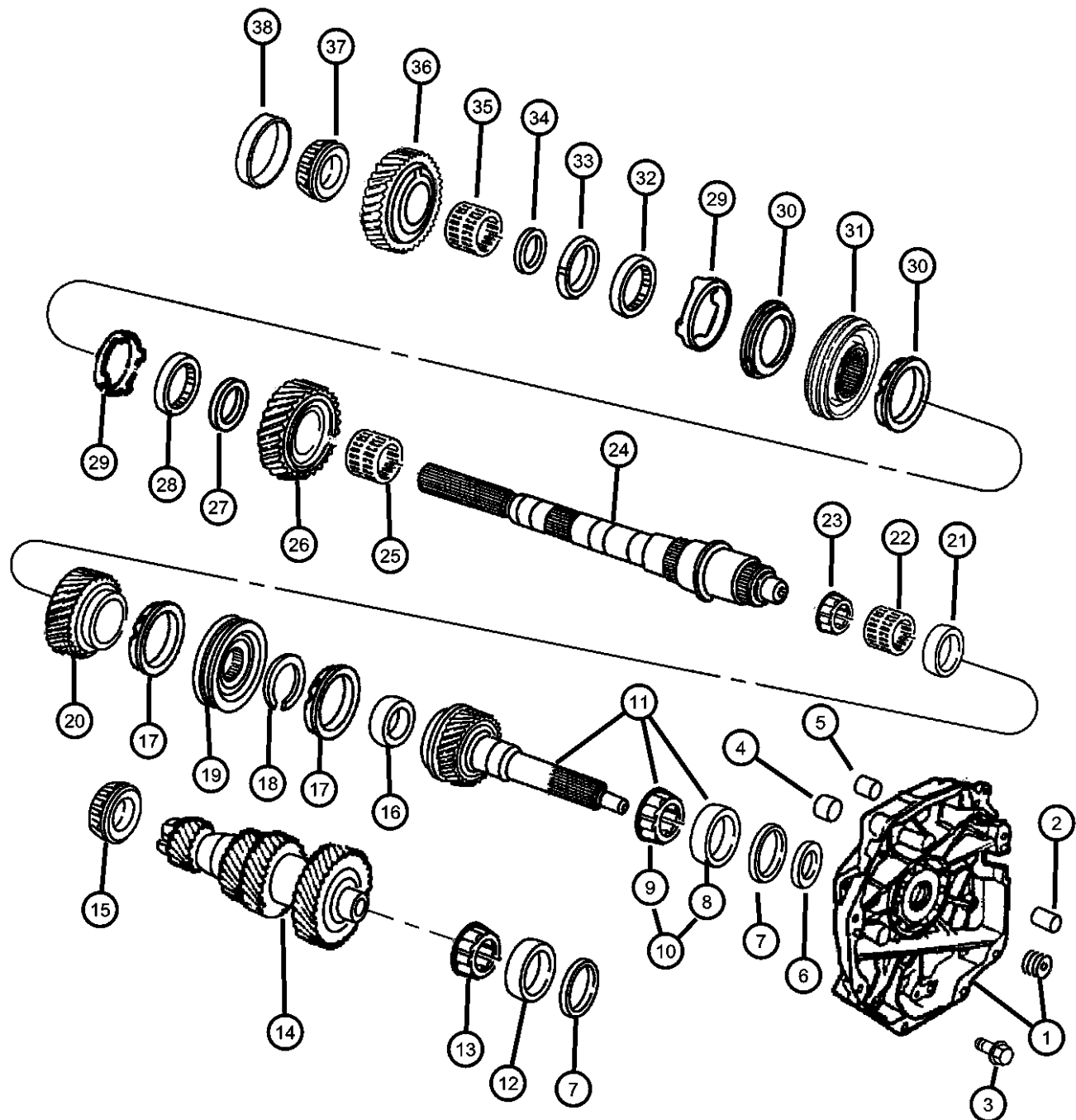
ENGINE  
 EWC = Engine - 8.3L V10 SFI

TRANSMISSION  
 DEC = 6 Speed Manual  
 DBB = All Manual Transmissions

AR = use ase required - = Non illustrated part

2005 ZB

### Input Shaft, Mainshaft & Countershaft Figure T56-410



ITEM	PART NUMBER	QTY	LINE	SERIES	BODY	ENGINE	TRANS	TRIM	DESCRIPTION
------	-------------	-----	------	--------	------	--------	-------	------	-------------

NOTE:  
Shim Kit Contains All The Shims Required For Complete Transmission Repair.  
Sales Codes:  
[DEC]=6 Speed Manual Transmission

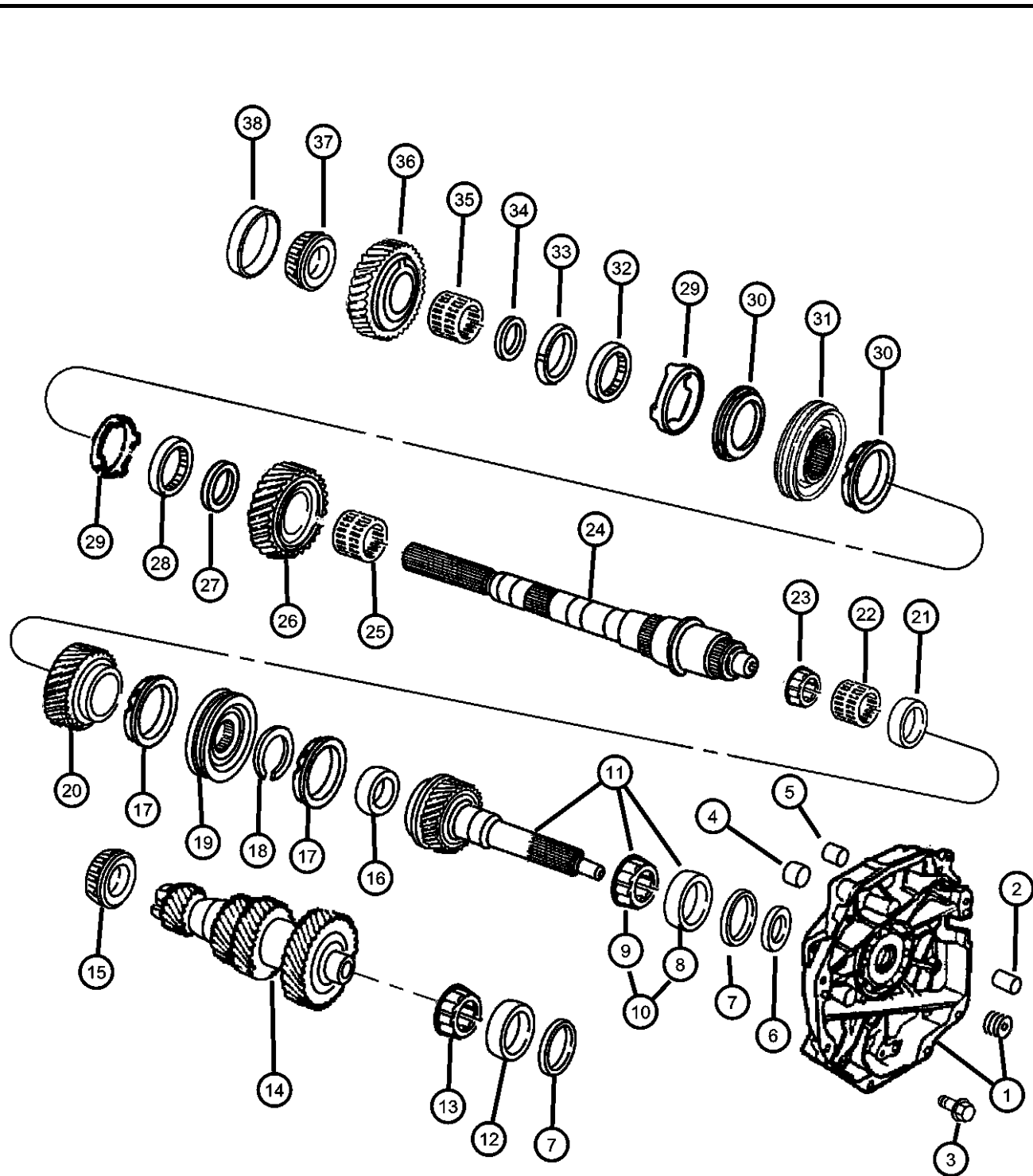
1	05093265AA	1					DEC		ADAPTER, Transmission
2	04626514	2					DEC		DOWEL, Transmission Case, Adapter Front
3	04626520	6					DEC		BOLT, Transmission Case
4	04626512	1					DEC		BUSHING, Shift Rail
5	04626513	2					DEC		DOWEL, Transmission Case
6	04626515	1					DEC		SEAL, Input Shaft
7	05018856AA	1					DEC		SHIM KIT, Transmission
8	04626490	1					DEC		CUP
9	04626510	1					DEC		CONE, Input Shaft
10	04626737	1					DEC		BEARING PACKAGE, Input Shaft
11	05139854AA	1					DEC		INPUT SHAFT, Transmission, With Stamping 05038002AC
12	04626519	1					DEC		CUP, Counter Shaft Bearing
13	04626465	1					DEC		BEARING
14									COUNTERSHAFT
	05093255AA	1					DEC		With Stamping 05038002AB
	05139853AA	1					DEC		With Stamping 05038002AC
15	04626466	1					DEC		BEARINGRear
16	04626517	1					DEC		CUP
17	04626476	2					DEC		STOP RING, Synchronizer
18	04626487	1					DEC		SNAP RING
19	05018859AA	1					DEC		SYNCHRONIZER, Third and Fourth
20	04626471	1					DEC		GEAR, Third
21	05093261AA	1					DEC		SPACER, Third Gear
22	04626469	2					DEC		NEEDLE BEARING
23	04626563	1					DEC		BEARING
24	04626467	1					DEC		MAINSHAFT, Transmission
25	04626469	2					DEC		NEEDLE BEARING
26									GEAR, Second
	04626478	1					DEC		With Stamping 05038002AB
	05143240AA	1					DEC		With Stamping 05038002AC
27	04626486	2					DEC		THRUST WASHER, First And Second Gear

**VIPER (ZB)**

SERIES	LINE	BODY	ENGINE	TRANSMISSION
S = SRT-10 X = Coupe	D = DODGE	27 = 2-DR CONVERTIBLE 29 = SPECIALTY COUPE	EWC = Engine - 8.3L V10 SFI	DEC = 6 Speed Manual DBB = All Manual Transmissions

AR = use ase required - = Non illustrated part

**Input Shaft, Mainshaft & Countershaft  
Figure T56-410**



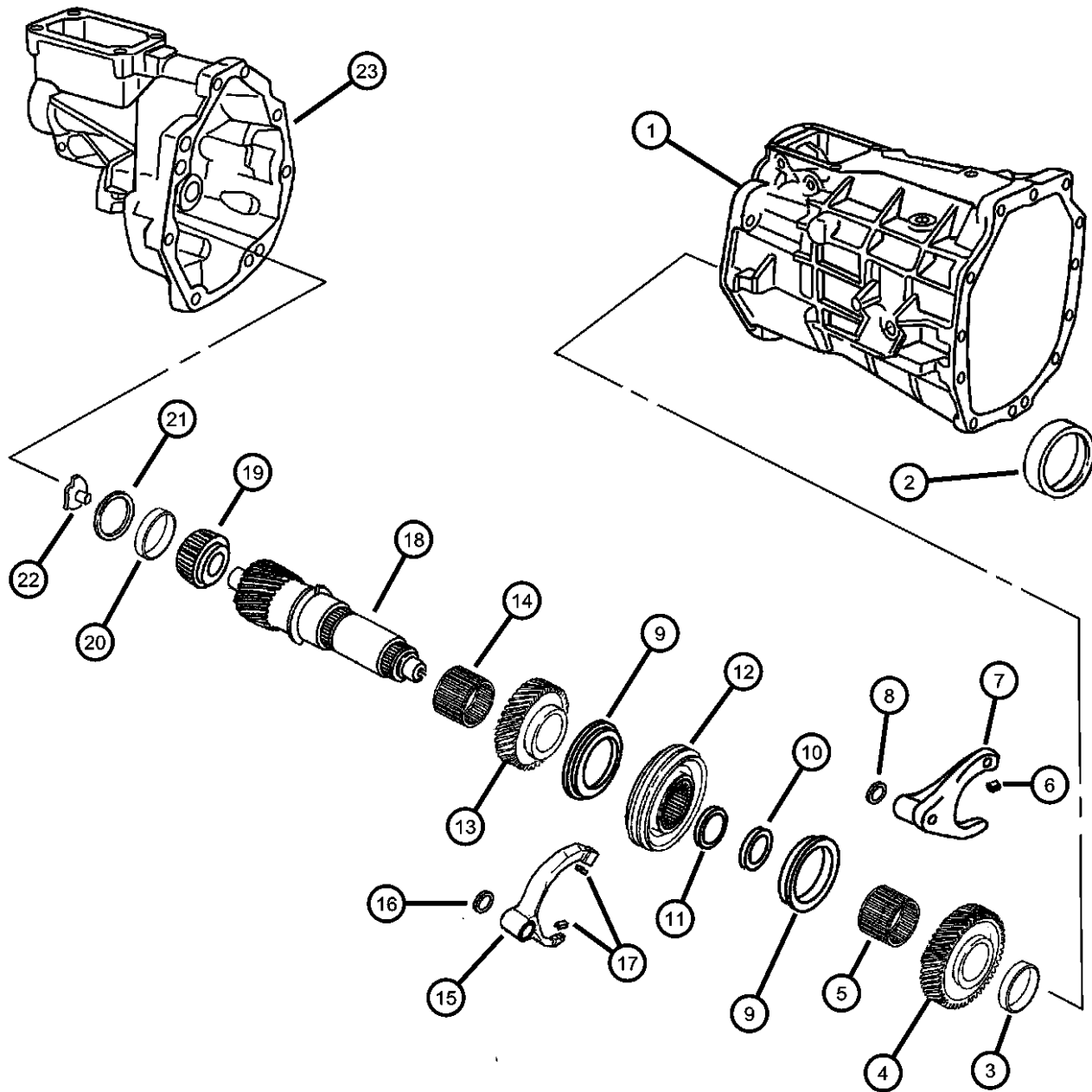
ITEM	PART NUMBER	QTY	LINE	SERIES	BODY	ENGINE	TRANS	TRIM	DESCRIPTION
28	04626484	2					DEC		CONE, Inner
29	05093262AA	2					DEC		FRICION CONE, Second Gear Inner
30	04626483	2					DEC		RING, 1st and 2nd Speed Blocker
31	05018860AA	1					DEC		SYNCHRONIZER, First and Second
32	04626484	2					DEC		CONE, Inner
33	04626486	2					DEC		THRUST WASHER, First And Second Gear
34	04626536	1					DEC		SNAP RING
35	04626488	1					DEC		NEEDLE BEARING, First Gear
36	04626489	1					DEC		GEAR, First
37	04626490	1					DEC		CUP
38	04626463	1					DEC		CUP

**VIPER (ZB)**

SERIES	LINE	BODY	ENGINE	TRANSMISSION
S = SRT-10	D = DODGE	27 = 2-DR CONVERTIBLE	EWC = Engine - 8.3L V10 SFI	DEC = 6 Speed Manual
X = Coupe		29 = SPECIALTY COUPE		DBB = All Manual Transmissions

AR = use ase required - = Non illustrated part

**Countershaft Extension  
Figure T56-420**



ITEM	PART NUMBER	QTY	LINE	SERIES	BODY	ENGINE	TRANS	TRIM	DESCRIPTION
------	-------------	-----	------	--------	------	--------	-------	------	-------------

NOTE:  
Shim Kit Contains All The Shims Required For Complete Transmission Repair  
Internal Parts For Synchronizers Are Not Serviced.  
Sales Codes:  
[DEC]=6 Speed Manual Transmission

1	04626463	1							CASE, Transmission, See Illustration 210, (NOT SERVICED)
2	04626462	1					DEC		CUP
3	04626541	1					DEC		THRUST WASHER, Sixth Gear
4	05093272AA	1					DEC		GEAR, Sixth
5	04626538	1					DEC		BEARING, Sixth Gear
6	04626496	2					DEC		PAD, Shift Fork
7	04626553	1					DEC		FORK, Transmission
8	04626561	1					DEC		SNAP RING, Shift Fork
9	04626535	2					DEC		STOP RING, Synchronizer
10	04626537	1					DEC		SPACER, Sixth Gear
11	04626536	3					DEC		SNAP RING
12	05018863AA	1					DEC		SYNCHRONIZER, Fifth and Sixth
13	05093273AA	1					DEC		GEAR, Fifth
14	04626530	1					DEC		NEEDLE BEARING, Fifth Gear
15	04626540	1					DEC		FORK, Fifth Shift
16	04626542	1					DEC		SNAP RING, Shift Fork
17	04626496	2					DEC		PAD, Shift Fork
18	04626529	1					DEC		COUNTERSHAFT, Extension
19	04626468	1					DEC		BEARING
20	04626544	1					DEC		CUP
21	05018856AA	1					DEC		SHIM KIT, Transmission
22	04626545	1					DEC		FUNNEL, Counter Shaft
23	04626545	1							EXTENSION, Transmission, See Illustration 210, (NOT SERVICED)

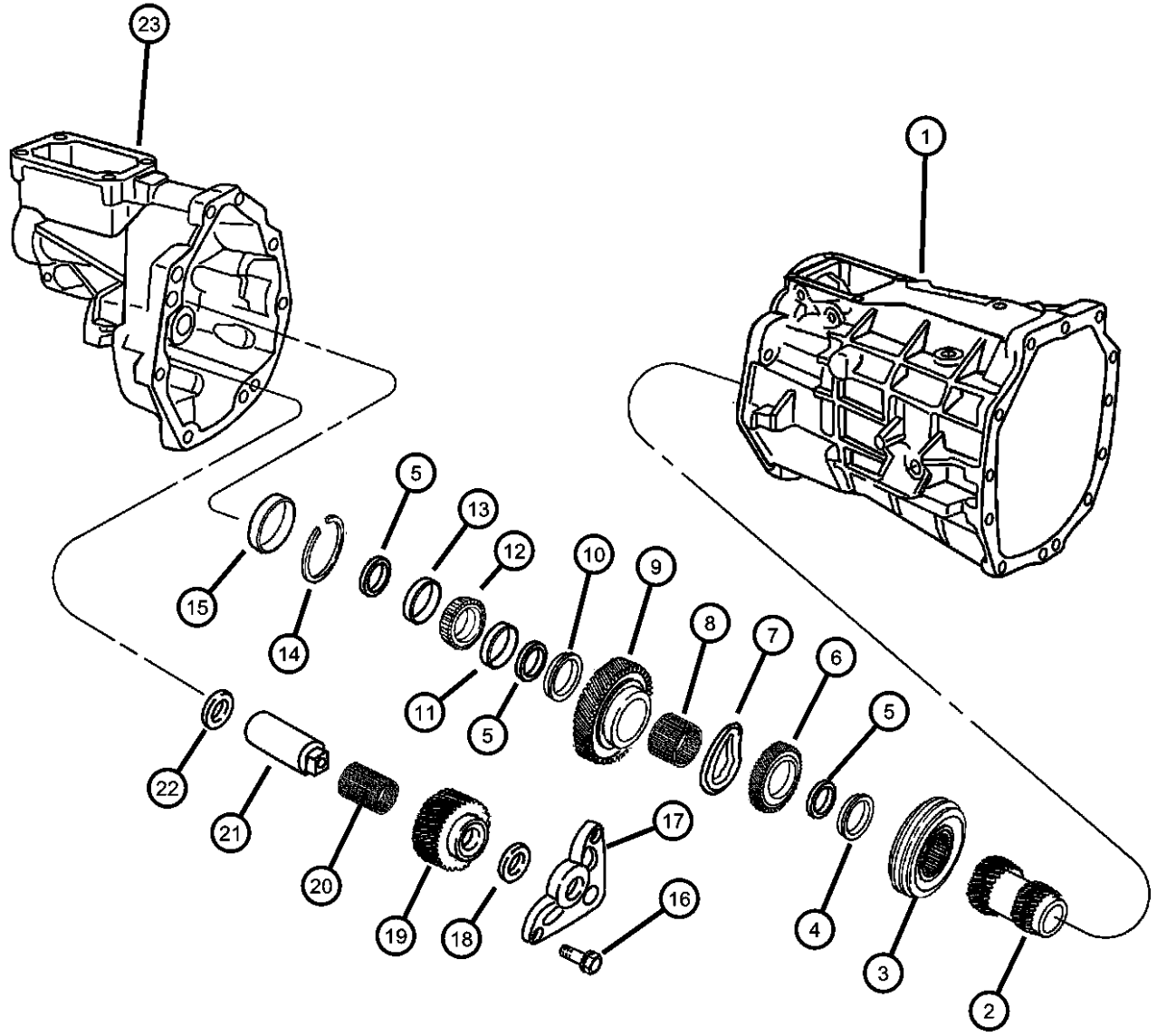
**VIPER (ZB)**

SERIES	LINE	BODY	ENGINE	TRANSMISSION
S = SRT-10	D = DODGE	27 = 2-DR CONVERTIBLE	EWC = Engine - 8.3L V10 SFI	DEC = 6 Speed Manual
X = Coupe		29 = SPECIALTY COUPE		DBB = All Manual Transmissions

AR = use ase required - = Non illustrated part

2005 ZB

**Reverse Idler & Driven Gears  
Figure T56-430**



ITEM	PART NUMBER	QTY	LINE	SERIES	BODY	ENGINE	TRANS	TRIM	DESCRIPTION
------	-------------	-----	------	--------	------	--------	-------	------	-------------

NOTE:  
Internal Parts For Synchronizers Are Not Serviced.  
Sales Codes:  
[DEC]=6 Speed Manual Transmission

1	04626545	1							CASE, Transmission, See Illustration 210, (NOT SERVICED)
2	04626552	1					DEC		GEAR, Fifth, Driven
3	05018865AA	1					DEC		SYNCHRONIZER, Reverse
4	04626555	1					DEC		WASHER, Reverse Thrust
5	04626536	3					DEC		SNAP RING
6	04626557	1					DEC		RING, Reverse Blocker
7	04626556	1					DEC		WASHER, Reverse Wave
8	04626558	1					DEC		NEEDLE BEARING, Reverse Gear
9	04626559	1					DEC		GEAR, Reverse
10	04626560	1					DEC		WASHER, Reverse Thrust
11	04626562	2					DEC		WASHER, Mainshaft
12	04626563	1					DEC		BEARING
13	04626562	2					DEC		WASHER, Mainshaft
14	04626564	1					DEC		SNAP RING, Mainshaft
15	04626463	1					DEC		CUP
16	04626527	3					DEC		BOLT
17	04626551	1					DEC		BRACKET, Reverse Idler Shaft
18	05093289AA	1					DEC		SNAP RING
19	04626548	1					DEC		GEAR, Reverse Idler
20	04626549	1					DEC		BEARING CONE, Idler Gear
21	04626547	1					DEC		IDLER SHAFT, Transmission
22	04626555	1					DEC		WASHER, Reverse Thrust
23	04626555	1							EXTENSION, Transmission, See Illustration 210, (NOT SERVICED)

**VIPER (ZB)**

SERIES	LINE	BODY	ENGINE	TRANSMISSION
S = SRT-10	D = DODGE	27 = 2-DR CONVERTIBLE	EWC = Engine - 8.3L V10 SFI	DEC = 6 Speed Manual
X = Coupe		29 = SPECIALTY COUPE		DBB = All Manual Transmissions

AR = use ase required - = Non illustrated part

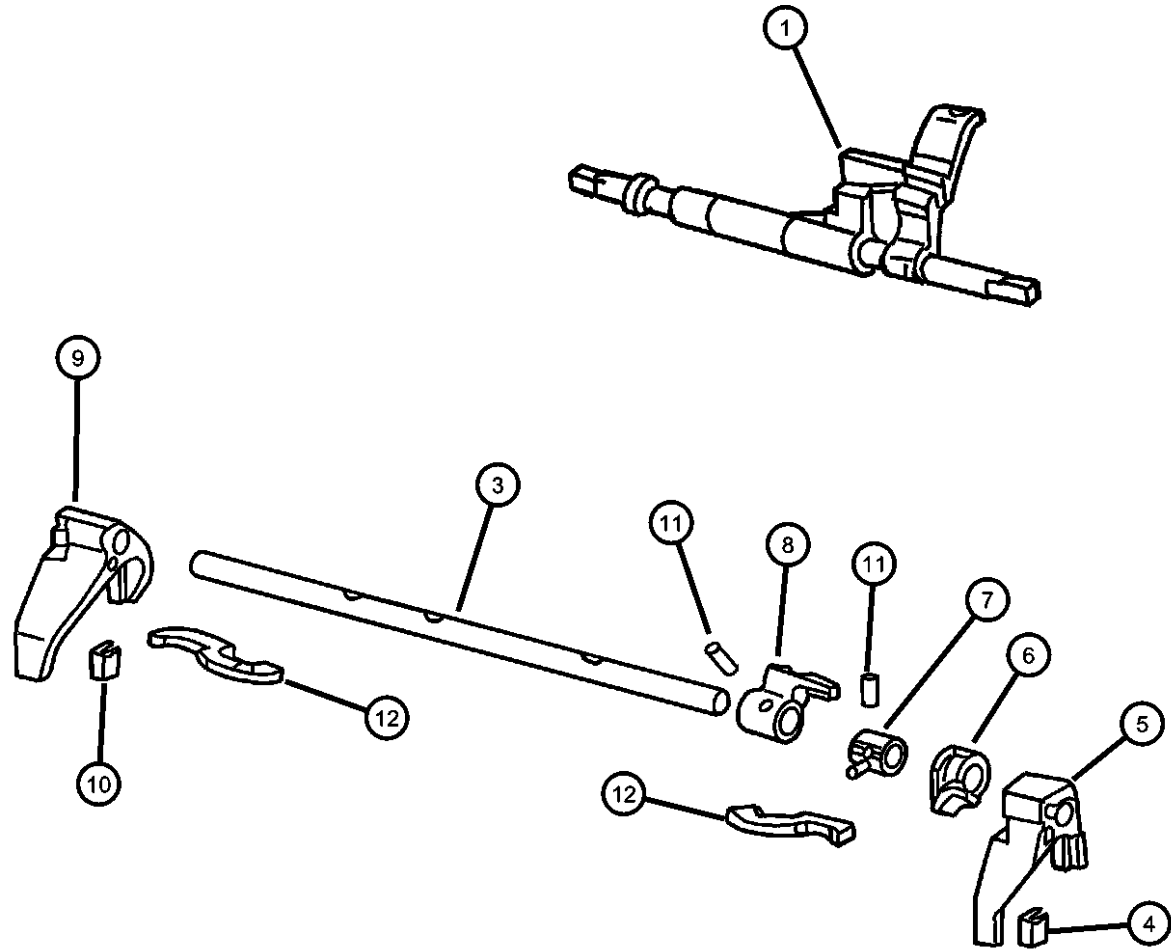
2005 ZB

**Shift Forks & Rails**  
**Figure T56-910**

ITEM	PART NUMBER	QTY	LINE	SERIES	BODY	ENGINE	TRANS	TRIM	DESCRIPTION
------	-------------	-----	------	--------	------	--------	-------	------	-------------

NOTE:  
No Service Parts For 5/6 & Reverse Shift Rail  
Sales Codes:  
[DEC]=6 Speed Manual Transmission

1	05018861AA	1					DEC		RAIL, Reverse Shift
-2	04626496	2					DEC		PAD, Shift Fork
3	04626498	1					DEC		RAIL, Top
4	04626502	2					DEC		PAD, Shift Fork
5	05018862AA	1					DEC		FORK, Third and Fourth
6	04626507	1					DEC		PLATE, Interlock
7	04626506	1					DEC		ARM, Gearshift Selector
8	05093271AA	1					DEC		LEVER, Offset
9	04626505	1					DEC		FORK, First and Second
10	04626502	2					DEC		PAD, Shift Fork
11	04626493	1					DEC		PIN, Roll
12	04626503	1					DEC		LINK, Shift
-13	04886342AA	1					DEC		CLIP
-14	04626587	1					DEC		O RING, Reverse Inhibitor, Manual Transmission
-15	04626586	1					DEC		SNAP RING, Reverse Inhibitor



**VIPER (ZB)**

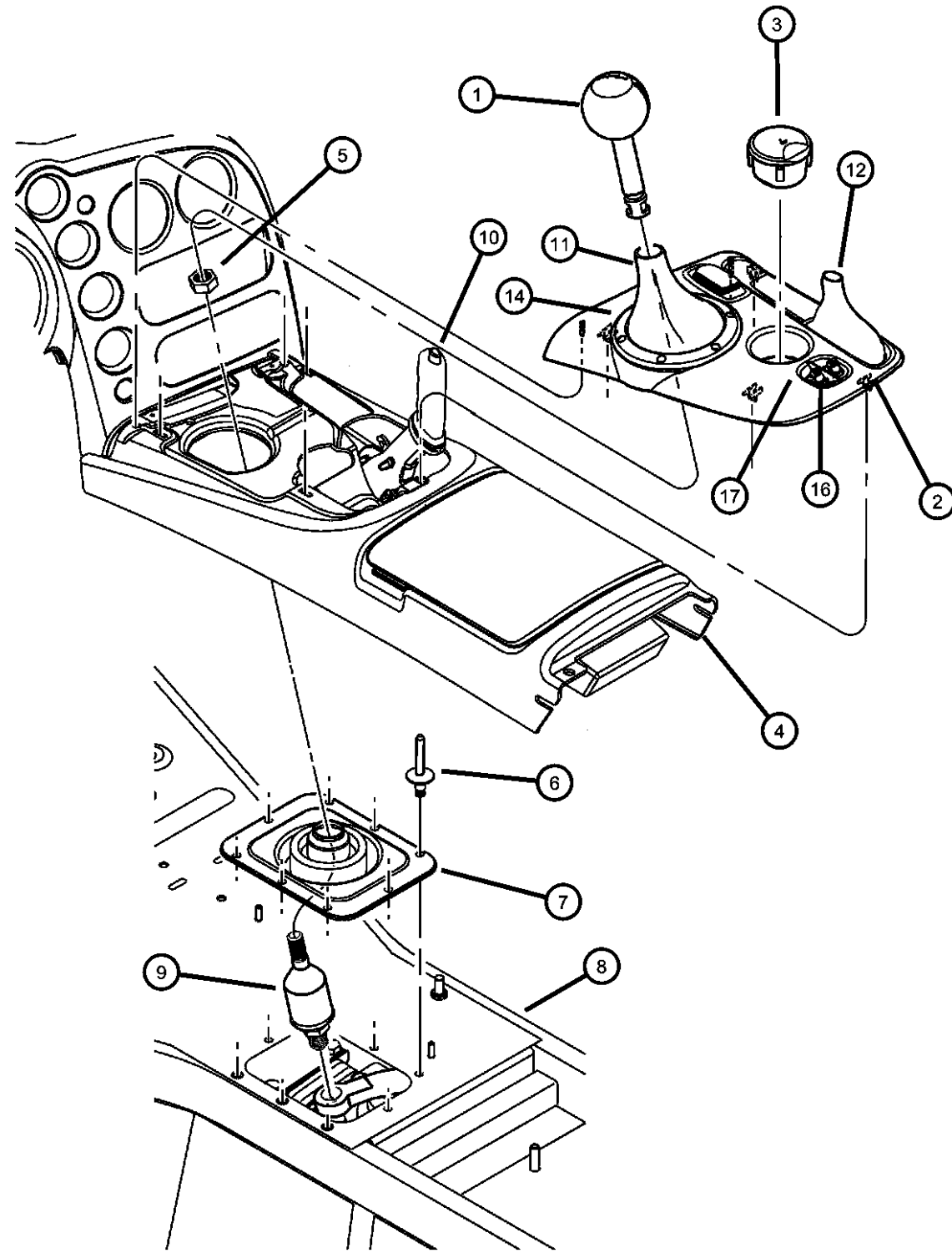
SERIES	LINE	BODY	ENGINE	TRANSMISSION
S = SRT-10	D = DODGE	27 = 2-DR CONVERTIBLE	EWC = Engine - 8.3L V10 SFI	DEC = 6 Speed Manual
X = Coupe		29 = SPECIALTY COUPE		DBB = All Manual Transmissions

AR = use ase required - = Non illustrated part

2005 ZB



**Gearshift Control**  
**Figure T56-1210**



ITEM	PART NUMBER	QTY	LINE	SERIES	BODY	ENGINE	TRANS	TRIM	DESCRIPTION
1	0SG081B5AA	1							KNOB, Gearshift With [X9] Order Code & [ACC] Sales Code
	0SG081X9AA	1							With [X9] Order Code
	0SG08SR1AA	1							With [XR] Order Code
2	0XP181X9AA	1							BEZEL, Console Shifter
3	05029529AA	1							ASH RECEIVER, Floor Console
4	05029529AA	1							CONSOLE, Center, See Console Group, (NOT SERVICED)
5	00124934	1							NUT, Hex Jam, .50-20
6	00124934	1							RIVET, [.250X.367], (NOT SERVICED)
7	05037319AA	1							BOOT, Gearshift
8	05037319AA	1							FRAME, Chassis, See Chassis Group, (NOT SERVICED)
9	04709410	1							ISOLATOR, Shift Lever
10	04709410	1							HANDLE, Parking Brake, See Brake Group, (NOT SERVICED)
11									BOOT, Gearshift
	05037319AA	1							Inner Dust Cover
	0XP191X9AA	1							
12	0XP201X9AA	1							BOOT, Parking Brake Lever
-13	05029097AD	1							BASE, Cigar Lighter
14	05093230AA	1							RING
-15	05093298AA	1							SCREW, Cap
16	04608633AD	2							SWITCH, Power Window
17	05093227AA	1							HOUSING, Switch

**VIPER (ZB)**

SERIES  
S = SRT-10  
X = Coupe

LINE  
D = DODGE

BODY  
27 = 2-DR CONVERTIBLE  
29 = SPECIALTY COUPE

ENGINE  
EWC = Engine - 8.3L V10 SFI

TRANSMISSION  
DEC = 6 Speed Manual  
DBB = All Manual Transmissions

AR = use ase required - = Non illustrated part

2005 ZB

# Group - 22

## Wheels, Covers and Jacks

### Group - 22 Wheels, Covers and Jacks

Illustration Title

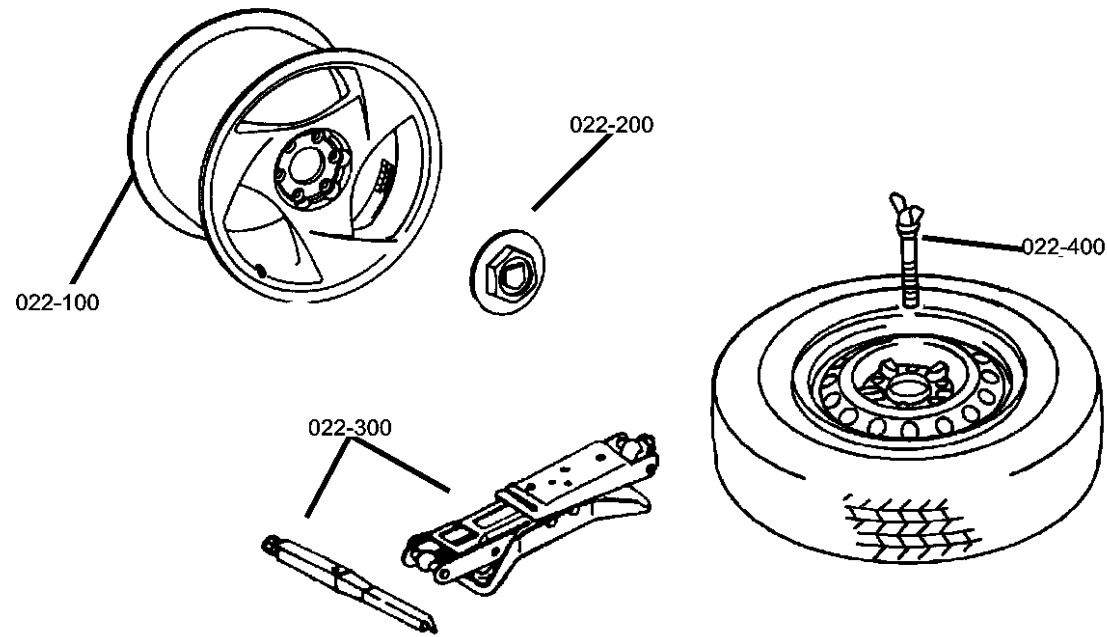
Group-Fig. No.

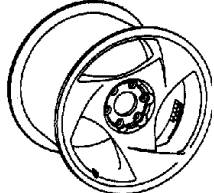

#### Wheels and Hardware

Wheels And Hardware.....Fig. 22 - 110

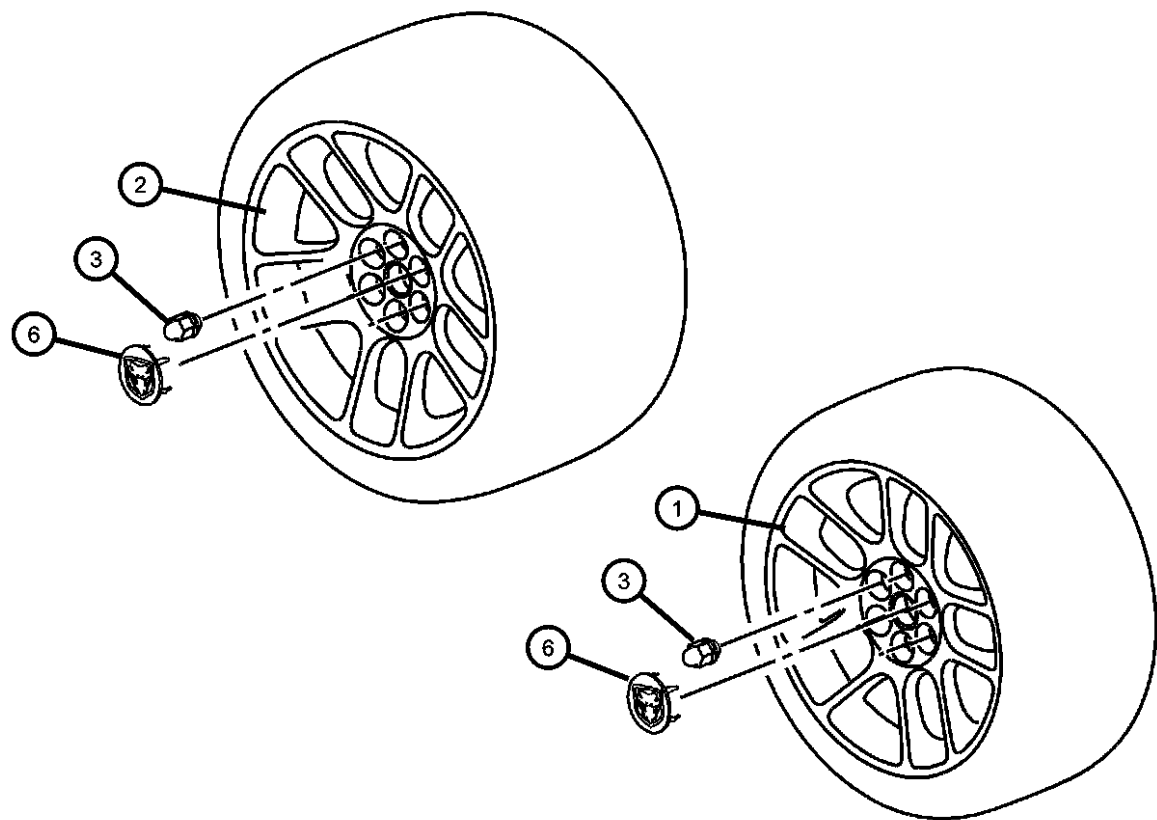
#### Wheel Covers and Center Caps

Caps, Wheel.....Fig. 22 - 210



<p><b>022-100</b> Wheels and Hardware</p> 	<p><b>022-200</b> Wheel Covers and Center Caps</p> 		
---	--	--	--

**Wheels And Hardware  
Figure 22-110**



ITEM	PART NUMBER	QTY	LINE	SERIES	BODY	ENGINE	TRANS	TRIM	DESCRIPTION
1									WHEEL, Front
	05043004AA	1							[WP1]
	0TW85SZBAA	1							[WPS]
	0TW85XZAAA	1							[WPH]
2									WHEEL, Rear
	05043005AA	1							[WP1]
	0TW89SZBAA	1							[WPS]
	0TW89XZAAA	1							[WPH]
3	06036310AA	24							NUT, Wheel, .50x20, Chrome
-4	52088990AA	1							SENSOR, Tire Pressure, Valve stem
-5	52088961AA	1							NUT, Tire Pressure Sensor
6									CAP, Wheel Center
	0TW94SZBAA	4							[WPS]
	0TW94XZAAA	4							[WP1,WPH]
-7	05083124AA	1							CAP, Valve stem

**VIPER (ZB)**

SERIES  
S = SRT-10  
X = Coupe

LINE  
D = DODGE

BODY  
27 = 2-DR CONVERTIBLE  
29 = SPECIALTY COUPE

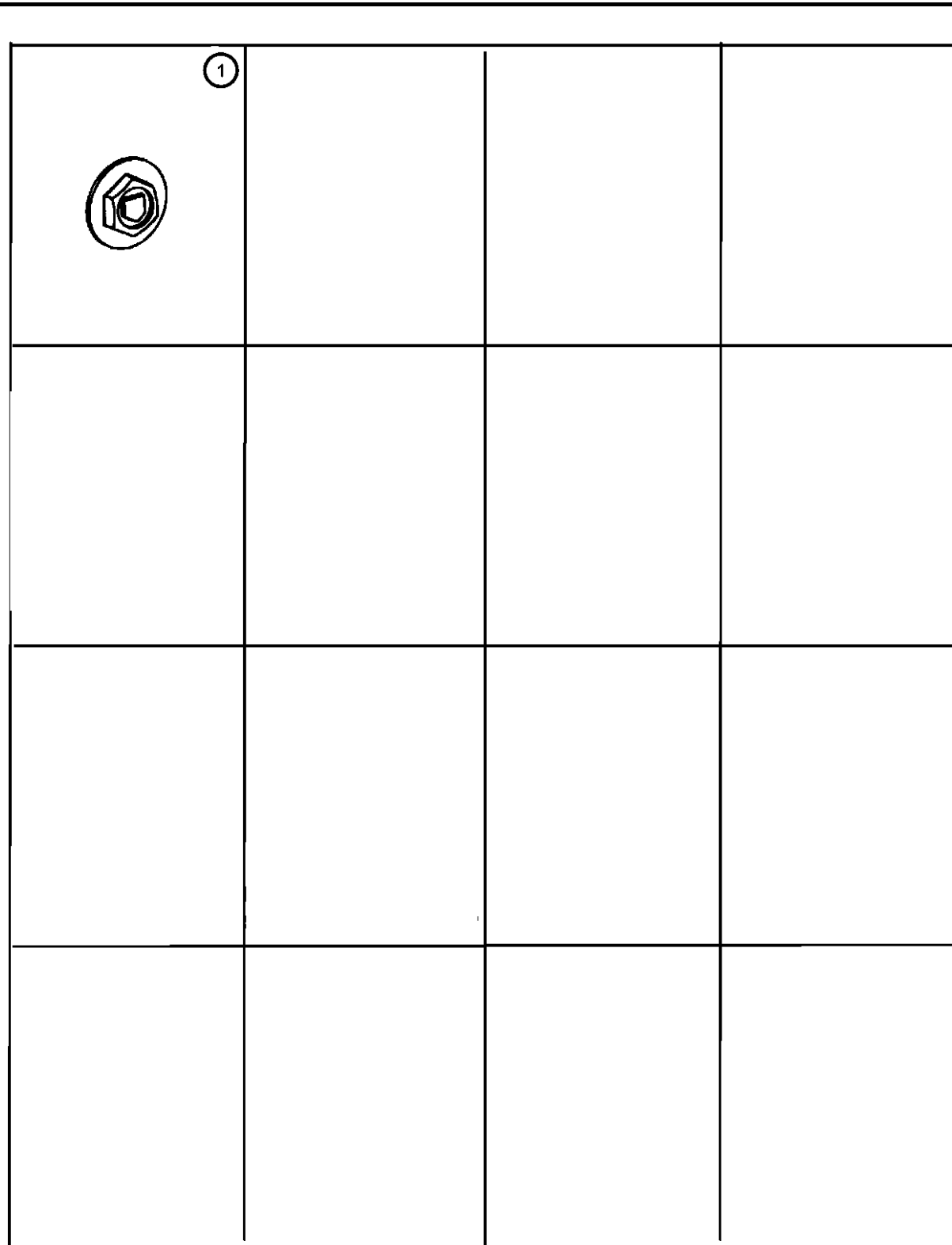
ENGINE  
EWC = Engine - 8.3L V10 SFI

TRANSMISSION  
DEC = 6 Speed Manual  
DBB = All Manual Transmissions

AR = use ase required - = Non illustrated part

2005 ZB

**Caps, Wheel  
Figure 22-210**



ITEM	PART NUMBER	QTY	LINE	SERIES	BODY	ENGINE	TRANS	TRIM	DESCRIPTION
------	-------------	-----	------	--------	------	--------	-------	------	-------------

NOTE: Sales Codes:

[WPS] = 18X10.0 19X13.0 ALUMINUM WHEELS

1	0TW94XZAAA	4			27				CAP, Wheel Center
---	------------	---	--	--	----	--	--	--	-------------------

**VIPER (ZB)**

SERIES

S = SRT-10  
X = Coupe

LINE

D = DODGE

BODY

27 = 2-DR CONVERTIBLE  
29 = SPECIALTY COUPE

ENGINE

EWC = Engine - 8.3L V10 SFI

TRANSMISSION

DEC = 6 Speed Manual  
DBB = All Manual Transmissions

AR = use ase required - = Non illustrated part

2005 ZB

# Group - 23D

## Wiper/Lock Cylinder and Keys

### Group - 23D Wiper/Lock Cylinder and Keys

Illustration Title

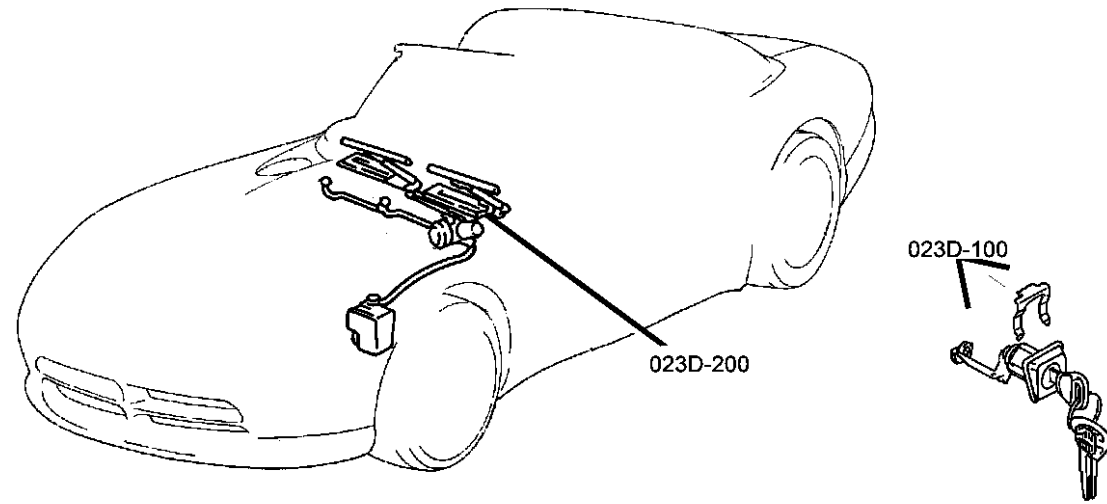
Group-Fig. No.

#### Lock Cylinders and Keys

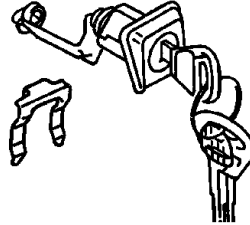
Lock Cylinders and Keys ..... Fig. 23D - 110

#### Windshield Wiper and Washer Systems

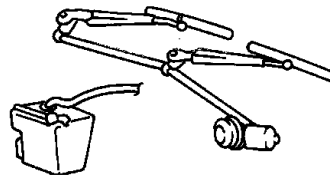
Windshield Wiper and Washer ..... Fig. 23D - 210



**23D-100**  
Lock Cylinders and Keys



**23D-200**  
Windshield Wiper and Washer Systems



**Lock Cylinders and Keys  
Figure 23D-110**

ITEM	PART NUMBER	QTY	LINE	SERIES	BODY	ENGINE	TRANS	TRIM	DESCRIPTION
------	-------------	-----	------	--------	------	--------	-------	------	-------------

NOTE: All Lock Cylinders are Uncoded

1	05102103AA	1							KEY, Blank, Viper Logo
2	05083915AB	1							CYLINDER, Ignition Lock
3	05010879AA	1							TUMBLER, Ignition Number 1, Sidebar
4	05010880AA	1							TUMBLER, Ignition Number 2, Sidebar
5	05010881AA	1							TUMBLER, Ignition Number 3, Sidebar
6	05010882AA	1							TUMBLER, Ignition Number 4, Sidebar
7	05010883AB	1							SPRING, Ignition Tumbler, Sidebar
8	04778147	1							CYLINDER, Deck Lid Lock
-9	05086729AA	1							CYLINDER, Door Lock
10	04778117	1							TUMBLER, Door and Deck Number 1, Wide
11	04778118	1							TUMBLER, Door and Deck Number 2, Wide
12	04778119	1							TUMBLER, Door and Deck Number 3, Wide
13	04778120	1							TUMBLER, Door and Deck Number 4, Wide
14	04778121	1							SPRING, Door and Deck Tumbler
15	04778448	1							CYLINDER, Glove Box Lock
16	05257132	1							TUMBLER, Ignition Number 1
17	05257133	1							TUMBLER, Ignition Number 2
18	05257134	1							TUMBLER, Ignition Number 3
19	05257135	1							TUMBLER, Ignition Number 4
20	04746873	1							SPRING, Lock Cylinder Tumbler
21	04054202	1							NUT, Cylinder Lock
22	04378799	1							CAP, Lock Cylinder, Large Black
23	04778149	1							CAP, Door Lock Cylinder, Bright
24	03695321	1							GASKET, Lock Cylinder
25	05086733AA	1							CLIP, Latch
26	04686669AC	1							MODULE, Keyless Entry Receiver
27									TRANSMITTER, Keyless Entry
	04602260AA	2							
	04602261AB	2							Export
28	05019605AA	1							SHUTTER, Lock Cylinder
29	05080900AA	1							SHUTTER, Lock Cylinder
30	04378793	1							SPRING, Cylinder Return

**VIPER (ZB)**

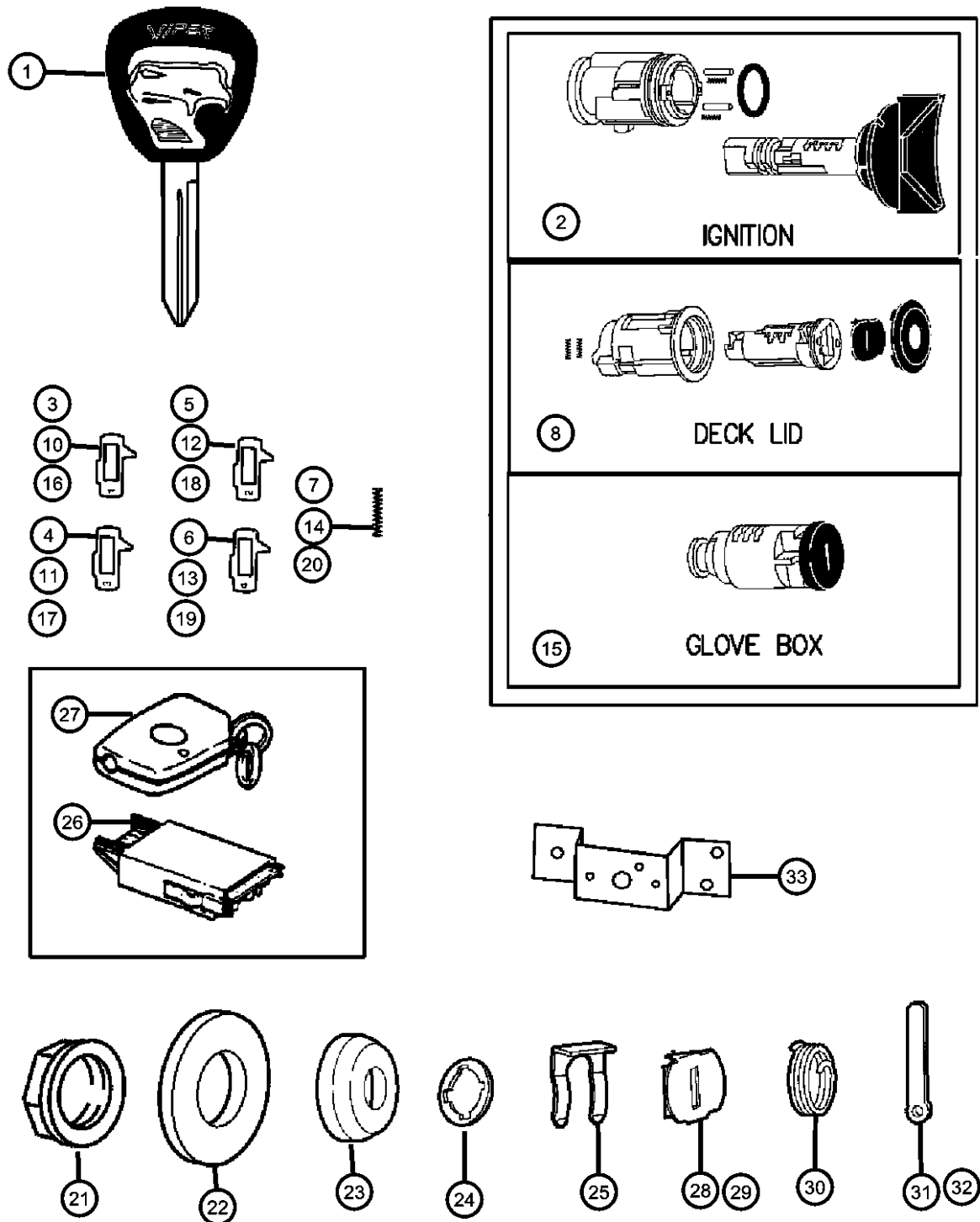
SERIES      LINE  
S = SRT-10    D = DODGE  
X = Coupe

BODY  
27 = 2-DR CONVERTIBLE  
29 = SPECIALTY COUPE

ENGINE      TRANSMISSION  
EWC = Engine - 8.3L V10 SFI    DEC = 6 Speed Manual  
DBB = All Manual Transmissions

AR = use ase required    - = Non illustrated part

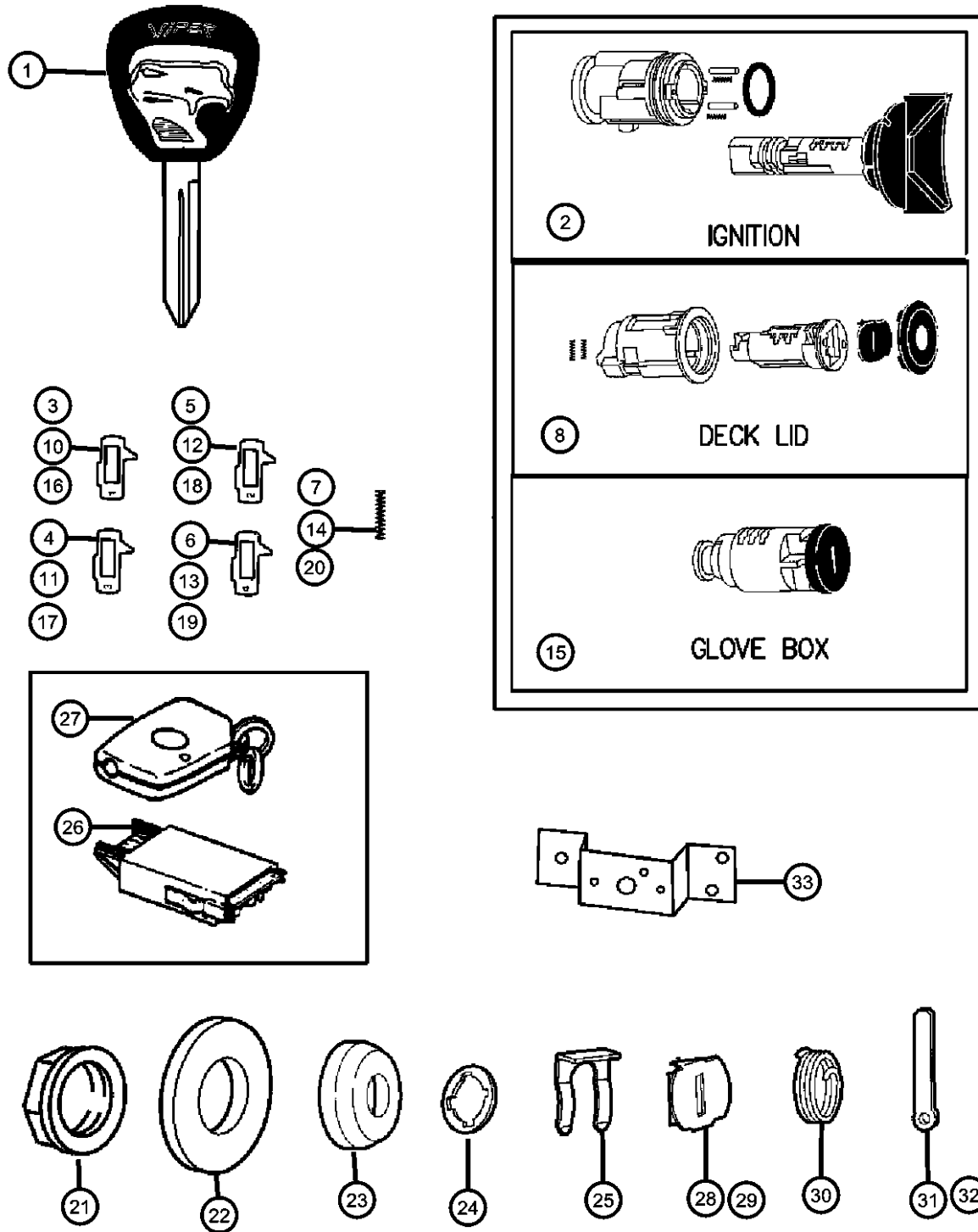
2005 ZB



Lock Cylinders and Keys  
Figure 23D-110

ITEM	PART NUMBER	QTY	LINE	SERIES	BODY	ENGINE	TRANS	TRIM	DESCRIPTION
------	-------------	-----	------	--------	------	--------	-------	------	-------------

31	04723494	1							LEVER, Deck Lid Lock Cylinder
32	05086732AA	1							LEVER
33	04865876AA	1							BRACKET, Key Cylinder



VIPER (ZB)

SERIES  
S = SRT-10  
X = Coupe

LINE  
D = DODGE

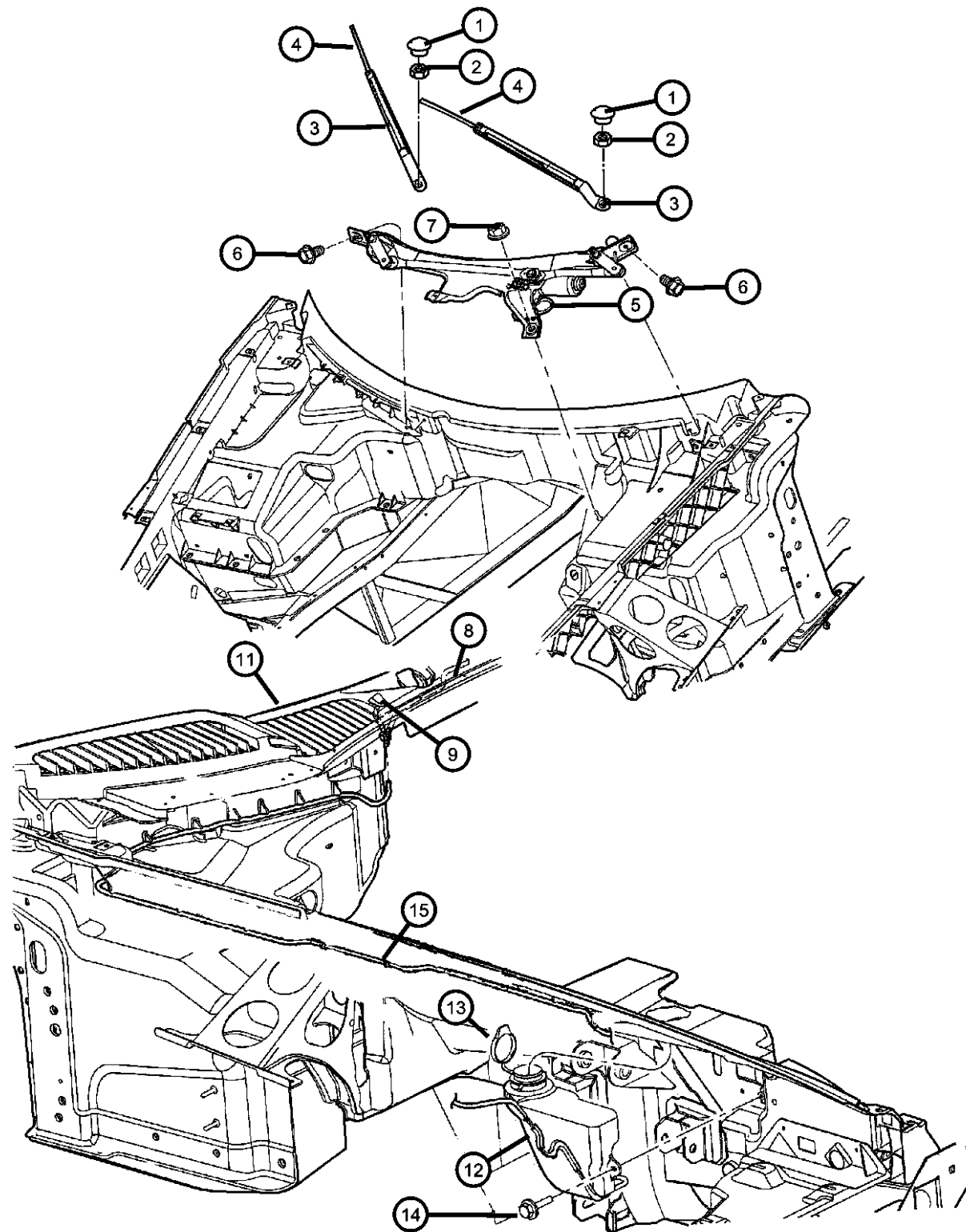
BODY  
27 = 2-DR CONVERTIBLE  
29 = SPECIALTY COUPE

ENGINE  
EWC = Engine - 8.3L V10 SFI  
TRANSMISSION  
DEC = 6 Speed Manual  
DBB = All Manual Transmissions

AR = use ase required - = Non illustrated part

2005 ZB

**Windshield Wiper and Washer  
Figure 23D-210**



ITEM	PART NUMBER	QTY	LINE	SERIES	BODY	ENGINE	TRANS	TRIM	DESCRIPTION
1	04389440	2							CAP, Wiper Arm Nut
2	06104716AA	2							NUT
3									ARM, Wiper
	04865504AE	1							Right
	04865505AE	1							Left
4									BLADE, Wiper
	04865506AB	1							Right
	04865507AB	1							Left
5	04865509AD	1							MODULE, Wiper
6	06503992	2							SCREW AND WASHER, Hex Head, M6x1x30
7	06503664	1							NUT AND WASHER, Hex Nut-Coned Washer, M6 x 1.00
8	04865497AA	1							HOSE, Windshield Washer
9	55077551AA	2							NOZZLE, Washer, Windshield
-10									NOZZLE, Washer, Headlamp
	05029746AA	1							Right
	05029747AA	2							Left
11									SCREEN, Cowl Top
	0UC22RXFAC	1							Right
	0UC23RXFAC	1							Left
12	05030212AA	1							RESERVOIR, Washer
13									CAP, Washer Reservoir
	04630249	1							RWD
	05030211AA	1							
14	06102050AA	1							SCREW, Hex Flange Head, M6.3 x 1.81 x 15.00
15	HWV00532AB	1							HOSE 1FT, Windshield Washer, 5/32"
-16	05170036AA	1							PUMP, Washer, Headlamp
-17	05011809AA	1							GROMMET, Windshield Washer Pump
-18	05170034AA	1							GROMMET, Washer Pump
-19									BRACKET
	05030216AA	1							Upper, Reservoir Mtg
	05170029AA	1							Lower, Reservoir Mtg
-20									HOSE, Windshield Washer Extension
	05030201AA	1							

**VIPER (ZB)**

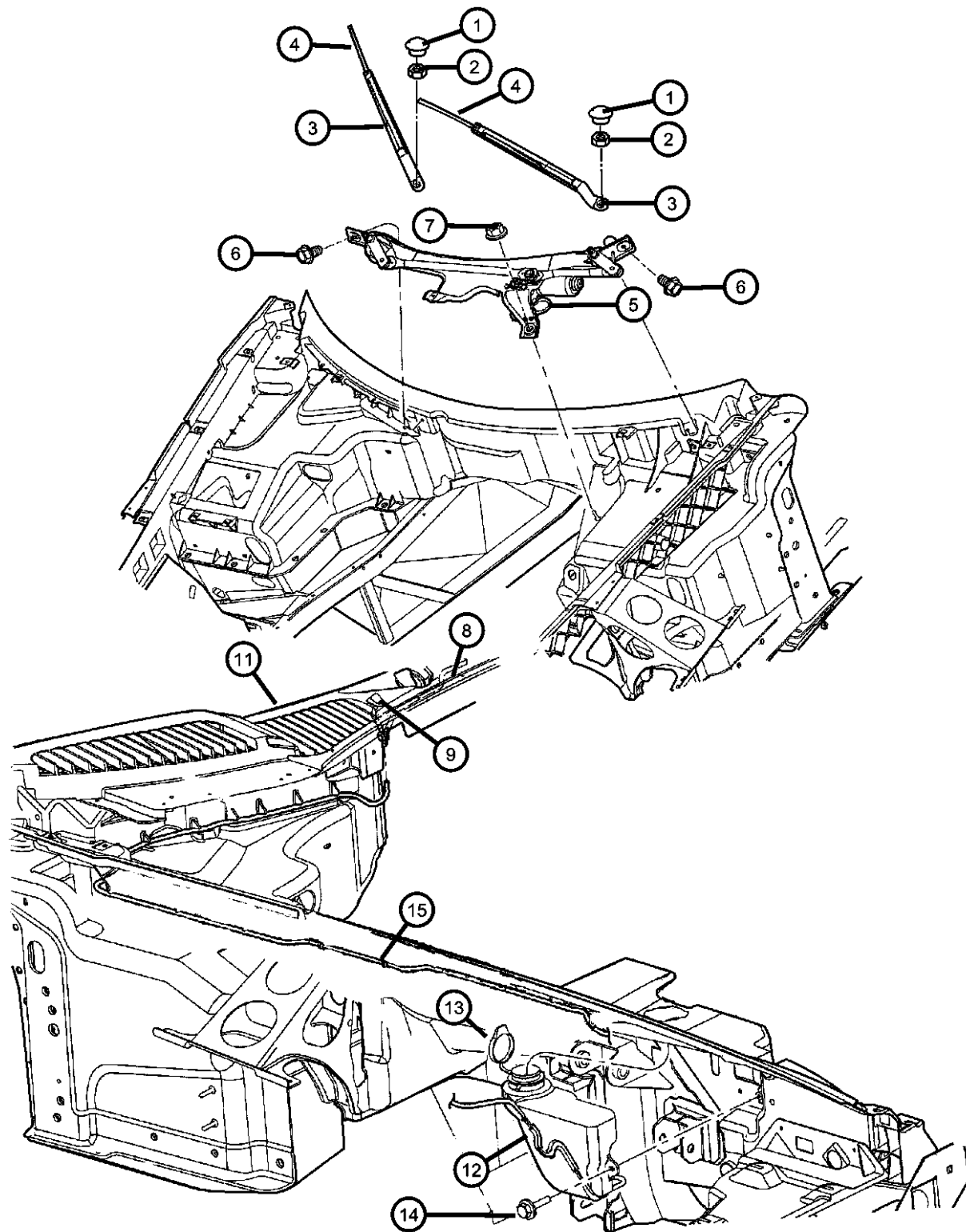
SERIES	LINE	BODY	ENGINE	TRANSMISSION
S = SRT-10	D = DODGE	27 = 2-DR CONVERTIBLE	EWC = Engine - 8.3L V10 SFI	DEC = 6 Speed Manual
X = Coupe		29 = SPECIALTY COUPE		DBB = All Manual Transmissions

AR = use ase required - = Non illustrated part



**Windshield Wiper and Washer  
Figure 23D-210**

ITEM	PART NUMBER	QTY	LINE	SERIES	BODY	ENGINE	TRANS	TRIM	DESCRIPTION
------	-------------	-----	------	--------	------	--------	-------	------	-------------



	05030215AA	2							Washer Nozzle, Headlamp
-21	05103452AA	1							PUMP, Washer, Windshield

**VIPER (ZB)**

SERIES	LINE	BODY	ENGINE	TRANSMISSION
S = SRT-10	D = DODGE	27 = 2-DR CONVERTIBLE	EWC = Engine - 8.3L V10 SFI	DEC = 6 Speed Manual
X = Coupe		29 = SPECIALTY COUPE		DBB = All Manual Transmissions

AR = use ase required - = Non illustrated part

2005 ZB

# Group - 24

## Air Conditioning & Heater

### Group - 24 Air Conditioning & Heater

Illustration Title

Group-Fig. No.

#### Air Conditioner and Heater Units

Hevac Unit ..... Fig. 24 - 120

#### Air Conditioner and Heater Plumbing

Heater Plumbing ..... Fig. 24 - 210

Plumbing, A/C Unit ..... Fig. 24 - 220

#### Air Conditioner and Heater Controls

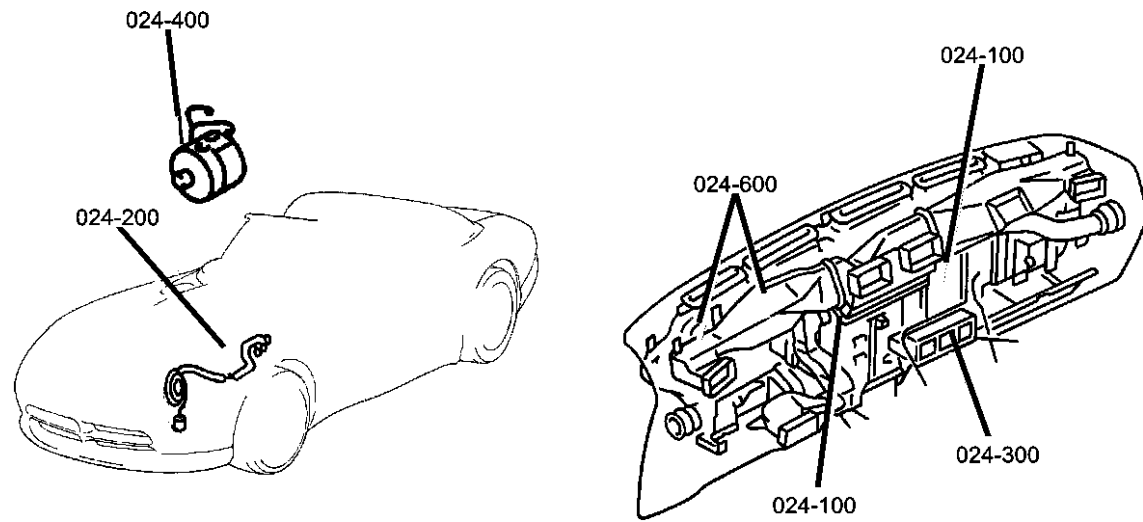
Control Assembly ..... Fig. 24 - 310

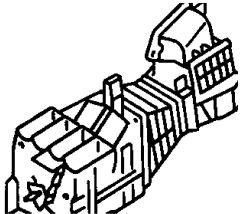
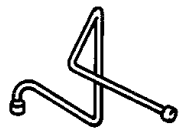
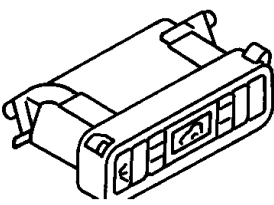
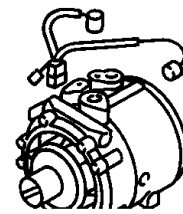
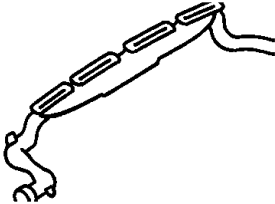
#### Air Conditioning Compressor

Compressor, A/C ..... Fig. 24 - 410

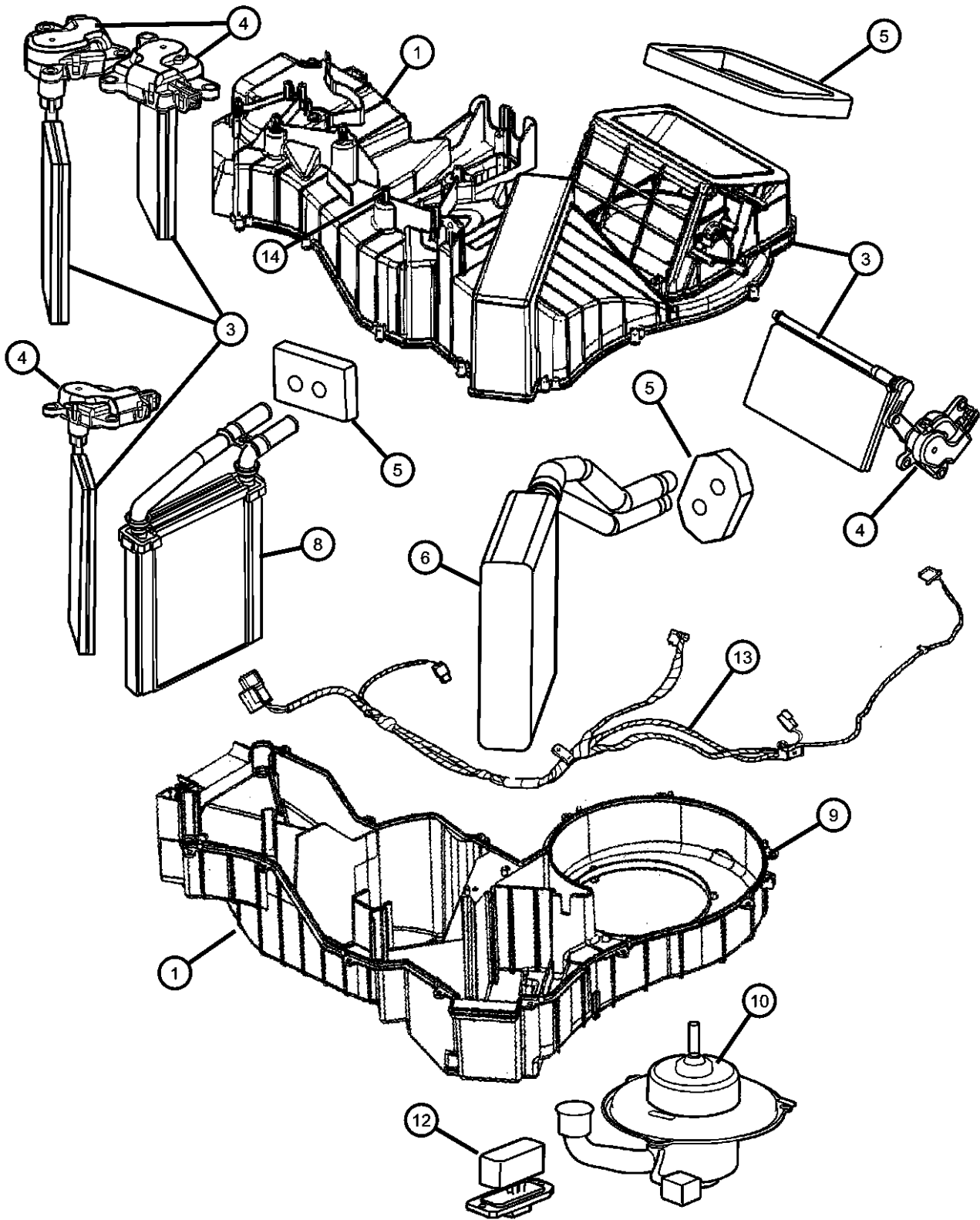
#### Air Ducts and Outlets

Vents And Outlets ..... Fig. 24 - 610



<p><b>024-100</b> Air Conditioner and Heater Units</p> 	<p><b>024-200</b> Air Conditioner and Heater Plumbing</p> 	<p><b>024-300</b> Air Conditioner and Heater Controls</p> 	<p><b>024-400</b> Air Conditioning Compressor</p> 
<p><b>024-600</b> Air Ducts and Outlets</p> 			

Hevac Unit  
Figure 24-120



ITEM	PART NUMBER	QTY	LINE	SERIES	BODY	ENGINE	TRANS	TRIM	DESCRIPTION
1	05093237AB	1							HOUSING, A/C And Heater
-2	06104725AA	3							NUT
3	05093244AA	1							HOUSING, Air Inlet
4	05019631AA	1							SERVO, A/C Temperature Door
5	05093245AA	1							SEAL KIT, A/C And Heater Unit
6	05093246AA	1							EVAPORATOR, Air Conditioning
-7	05104821AA	1							DRAIN KIT, A/C and Heater
8	05093247AA	1							CORE, Heater
9	04720533	32							SCREW, Heater Housing
10	05093248AB	1							MOTOR, Blower with Wheel
-11	02837680	1							CLAMP, Blower Motor Wheel
12	05014212AA	1							RESISTOR, Blower Motor
13	05030504AA	1							WIRING, A/C and HEATER
14	06504909AA	1							STUD

VIPER (ZB)

SERIES  
S = SRT-10  
X = Coupe

LINE  
D = DODGE

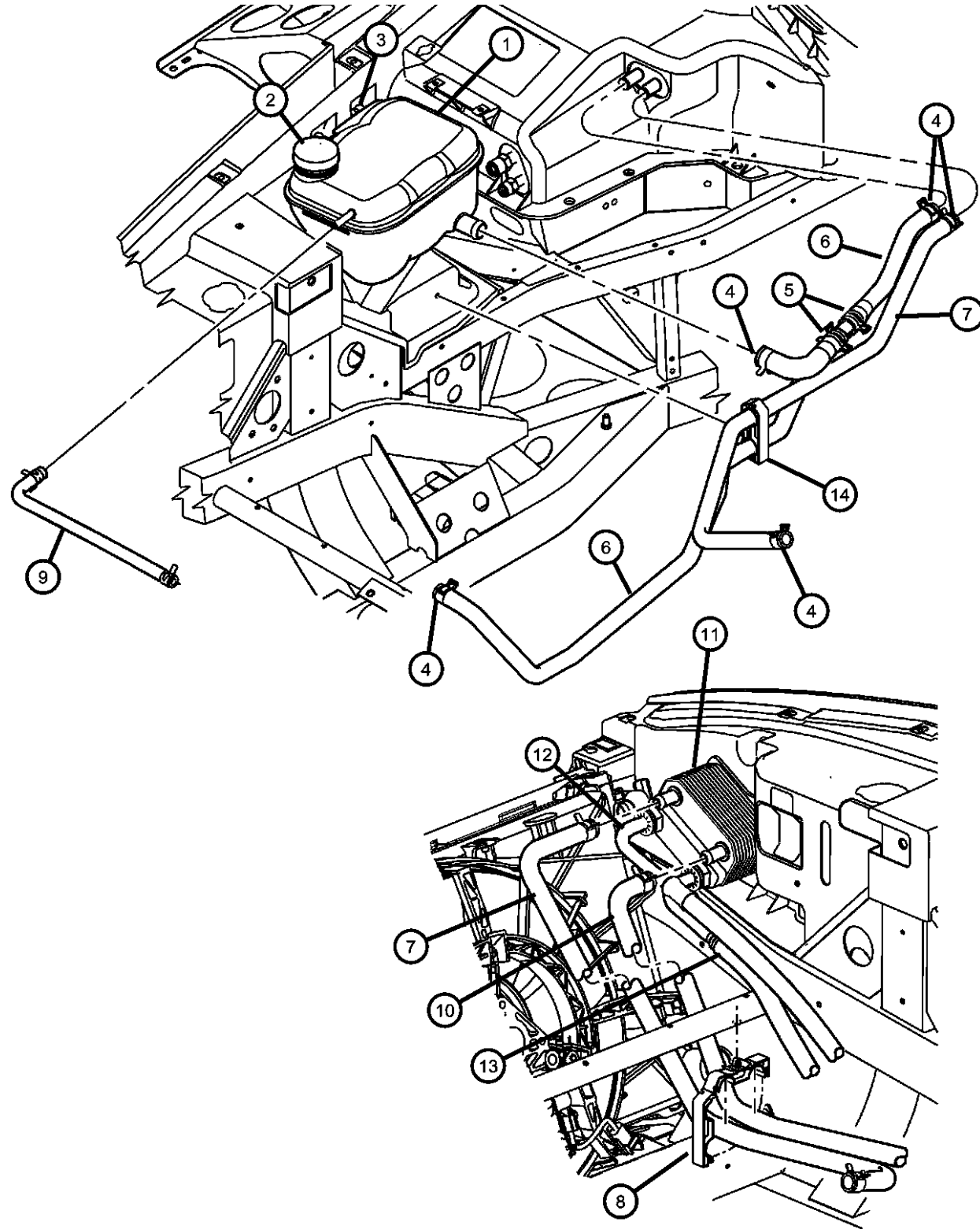
BODY  
27 = 2-DR CONVERTIBLE  
29 = SPECIALTY COUPE

ENGINE  
EWC = Engine - 8.3L V10 SFI

TRANSMISSION  
DEC = 6 Speed Manual  
DBB = All Manual Transmissions

AR = use ase required - = Non illustrated part

## Heater Plumbing Figure 24-210



ITEM	PART NUMBER	QTY	LINE	SERIES	BODY	ENGINE	TRANS	TRIM	DESCRIPTION
NOTE: Sales Codes: [EWC] = 8.3L V10 SFI									
1	05043002AA	1							BOTTLE, Pressurized Coolant
2	04596198	1							CAP, Radiator
3	06507008AA	3							SCREW AND WASHER, Truss Head, M6x1x30
4	06503422	2							CLAMP, Supply Hose, 26 mm Diameter
5	06502018	3							CLAMP, Hose, M28.9 x 1.60
6	05037987AD	1							HOSE, Heater Return
7	05264929AC	1							HOSE, Heater Supply
8	05290217AA	1							CLIP, Heater Hose
9	05264931AB	1							HOSE, Coolant Bottle Inlet
10	05290218AC	1							HOSE, Oil Cooler Return
11	05290014AD	1							COOLER, Engine Oil
12	05290001AD	1							LINE, Oil Cooler Outlet
13	05290004AD	1							LINE, Oil Cooler Inlet
14	05290403AA	1							CLIP

### VIPER (ZB)

SERIES

S = SRT-10  
X = Coupe

LINE

D = DODGE

BODY

27 = 2-DR CONVERTIBLE  
29 = SPECIALTY COUPE

ENGINE

EWC = Engine - 8.3L V10 SFI

TRANSMISSION

DEC = 6 Speed Manual  
DBB = All Manual Transmissions

AR = use ase required - = Non illustrated part

2005 ZB

Plumbing, A/C Unit  
Figure 24-220

ITEM	PART NUMBER	QTY	LINE	SERIES	BODY	ENGINE	TRANS	TRIM	DESCRIPTION
1	05264927AC	1							LINE, A/C Discharge
2	05093080AA	1							TRANSDUCER, Air Conditioning
3	05011346AA	1							VALVE CORE, Service Port
4	05080519AA	1							O RING, A/C Line
5	05093079AA	1							CLIP, A/C Discharge Line
6	05072868AA	1							O RING, A/C Line
7	05264988AF	1							LINE, A/C Suction
8	05011346AA	1							VALVE CORE, Service Port
9	05019242AA	1							CAP, A/C Check Valve
10	05072893AA	2							O RING, A/C Line
11	05290366AA	2							CLIP, A/C Line
12	06035877AA	2							SCREW AND WASHER, Hex Head, .25-20x.875
13	05264926AD	1							LINE, A/C Liquid
-14	05142933AA	1							ORIFICE, Liquid Line
15	05011346AA	1							VALVE CORE, Service Port
16	05072866AA	1							CAP, A/C Charge Valve
17	04796565	1							O RING, A/C Line
18	05093078AA	1							CLIP, A/C Liquid Line
19	05015603AA	1							O RING, A/C Line
20	00154910AA	3							SCREW, A/C Line attach to Frame
21	05264928AA	1							LINE, A/C Suction
22	05072893AA	2							O RING, A/C Line
23	05264990AD	1							ACCUMULATOR, Air Conditioning
24	05290274AB	1							SWITCH, A/C Low Pressure Cut Off
25	05096245AA	1							O RING
26	34201358	2							NUT AND WASHER, Hex Nut-Sealing Washer, M6 x 1.00, Accumulator attaching
27	06101982	2							SCREW, Line to Accumulator
28	05264991AB	1							CONDENSER, Air Conditioning
29	05290273AA	1							SHIELD, Heat

VIPER (ZB)

SERIES

S = SRT-10

X = Coupe

LINE

D = DODGE

BODY

27 = 2-DR CONVERTIBLE

29 = SPECIALTY COUPE

ENGINE

EWC = Engine - 8.3L V10 SFI

TRANSMISSION

DEC = 6 Speed Manual

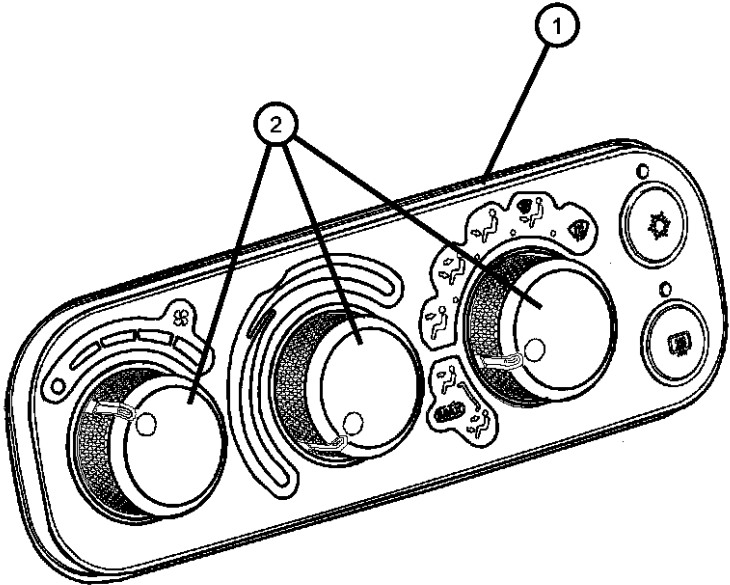
DBB = All Manual Transmissions

AR = use ase required - = Non illustrated part

2005 ZB

**Control Assembly  
Figure 24-310**

ITEM	PART NUMBER	QTY	LINE	SERIES	BODY	ENGINE	TRANS	TRIM	DESCRIPTION
1	04865810AB	1							CONTROL, A/C And Heater
2	05093433AA	3							KNOB, A/C And Heater Control - Rotary

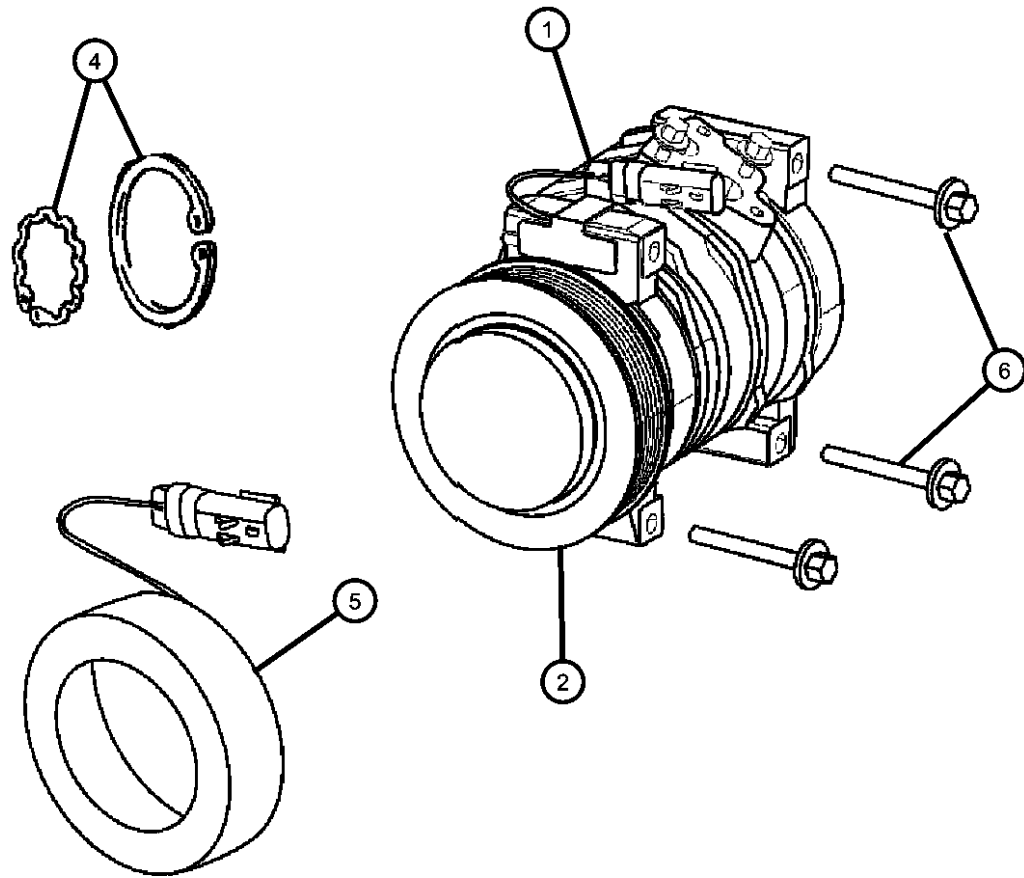
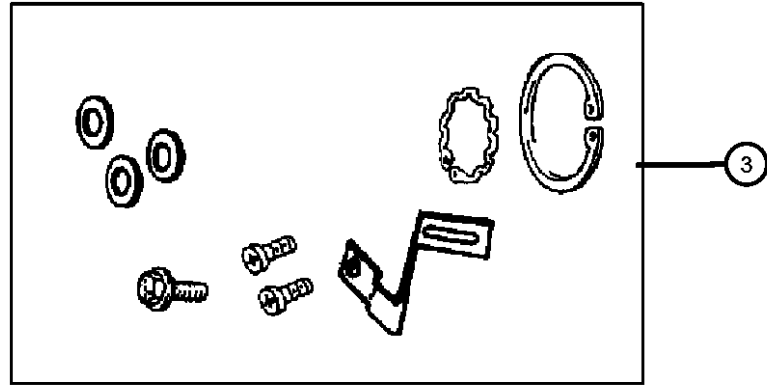


<b>VIPER (ZB)</b>				
SERIES	LINE	BODY	ENGINE	TRANSMISSION
S = SRT-10	D = DODGE	27 = 2-DR CONVERTIBLE	EWC = Engine - 8.3L V10 SFI	DEC = 6 Speed Manual
X = Coupe		29 = SPECIALTY COUPE		DBB = All Manual Transmissions

AR = use ase required - = Non illustrated part

Compressor, A/C  
Figure 24-410

ITEM	PART NUMBER	QTY	LINE	SERIES	BODY	ENGINE	TRANS	TRIM	DESCRIPTION
NOTE: Sales Codes: [EWC] = 8.3L V10 SFI									
1	05290012AB	1				EWC			COMPRESSOR, Air Conditioning
2	05093485AA	1				EWC			PULLEY HUB KIT, A/C Compressor
3	05066228AA	1				EWC			CLUTCH OVERHAUL KIT, A/C Compressor
4	05264454	1				EWC			SNAP RING KIT, A/C Clutch
5	05003681AA	1				EWC			COIL, Air Conditioning Clutch
6	06034244	4				EWC			SCREW AND WASHER, Hex Head, .312-18x3.50, Compressor Mounting
-7	05037348AC	1				EWC			BRACKET, A/C Compressor
-8	00154927AA	2			27	EWC			SCREW, Bracket Mounting



VIPER (ZB)

SERIES

S = SRT-10

X = Coupe

LINE

D = DODGE

BODY

27 = 2-DR CONVERTIBLE

29 = SPECIALTY COUPE

ENGINE

EWC = Engine - 8.3L V10 SFI

TRANSMISSION

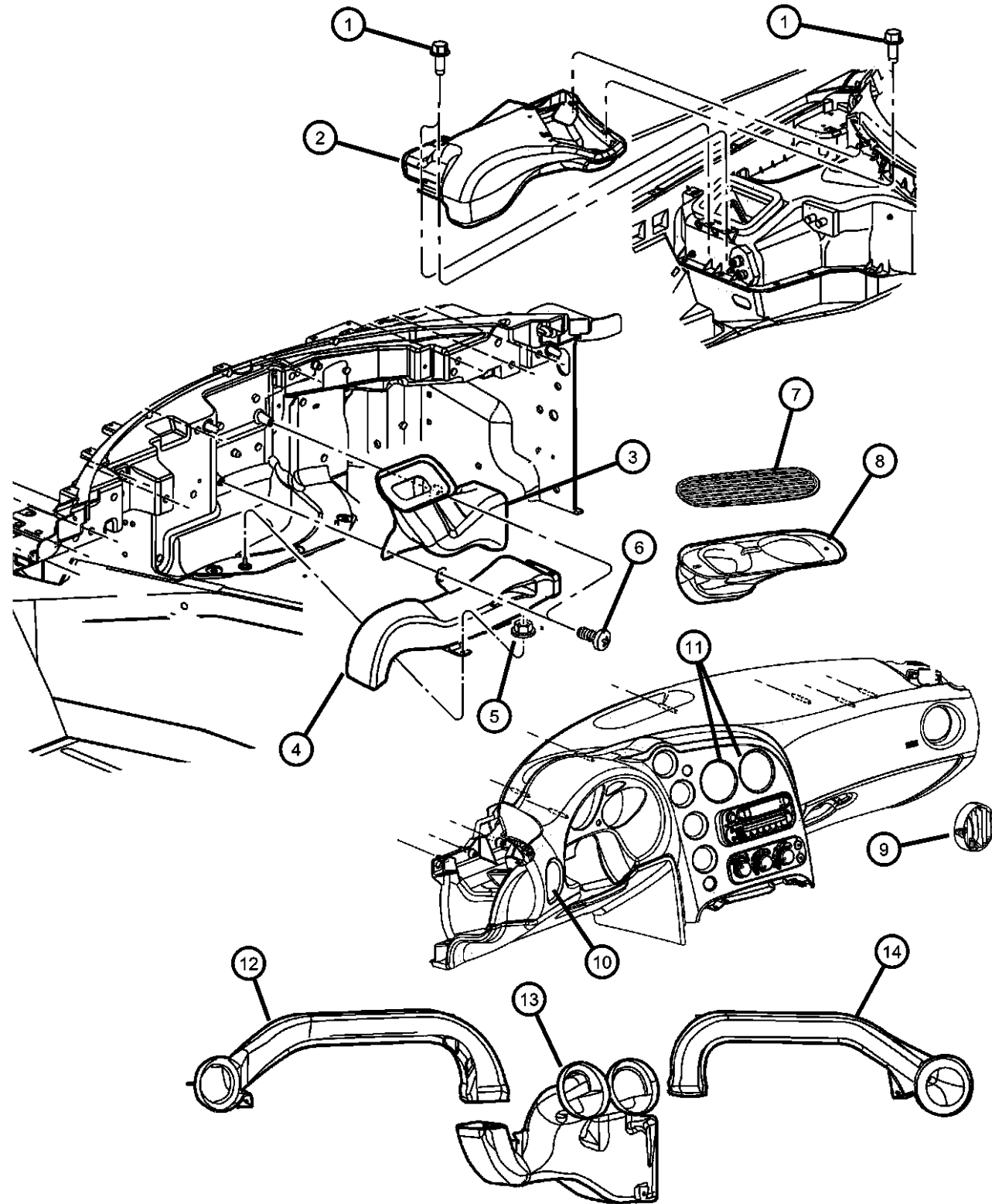
DEC = 6 Speed Manual

DBB = All Manual Transmissions

AR = use ase required - = Non illustrated part

2005 ZB

Vents And Outlets  
Figure 24-610



ITEM	PART NUMBER	QTY	LINE	SERIES	BODY	ENGINE	TRANS	TRIM	DESCRIPTION
1	00153816	4							SCREW, Tapping, .164-18x.75
2	04865640AB	1							PLENUM, Fresh Air Inlet
3	04865554AA	1							DUCT, Defroster
4	04865809AA	1							DUCT, Floor
5	06100840	1							NUT, Spring
6	06505300AA	2							SCREW
7	0WP74DX9AA	1							GRILLE, Defroster
8	04865541AA	1							DUCT, Defroster
9	5GD76DX9AA	1							OUTLET, Air Conditioning & Heater
10	05093545AA	1							HOUSING, Air Conditioning Outlet
11	05093545AA	1							HOUSING, Air Conditioning Outlet
12	04865545AA	1							DUCT, Instrument Panel
13	04865552AA	1							DUCT, Instrument Panel
14	04865546AA	1							DUCT, Instrument Panel
-15	04865546AA	1							SCREW, M4X1.5X18.0, (NOT SERVICED)

VIPER (ZB)

SERIES	LINE	BODY	ENGINE	TRANSMISSION
S = SRT-10	D = DODGE	27 = 2-DR CONVERTIBLE	EWC = Engine - 8.3L V10 SFI	DEC = 6 Speed Manual
X = Coupe		29 = SPECIALTY COUPE		DBB = All Manual Transmissions

AR = use ase required - = Non illustrated part

2005 ZB



# Group - 25

## Emission Systems

### Group - 25 Emission Systems

Group-Fig. No.

Illustration Title

#### Vacuum Canister

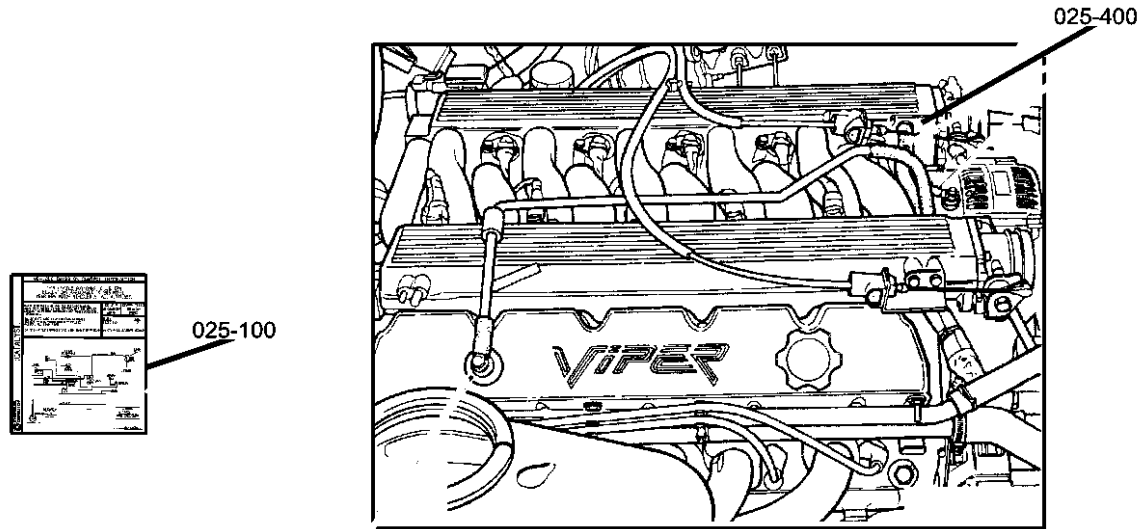
Vacuum Canister .....Fig. 25 - 310

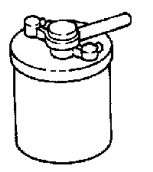
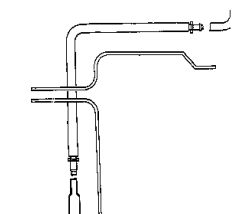
#### Emission Harness

Emission Harness .....Fig. 25 - 410

Duty Cycle .....Fig. 25 - 420

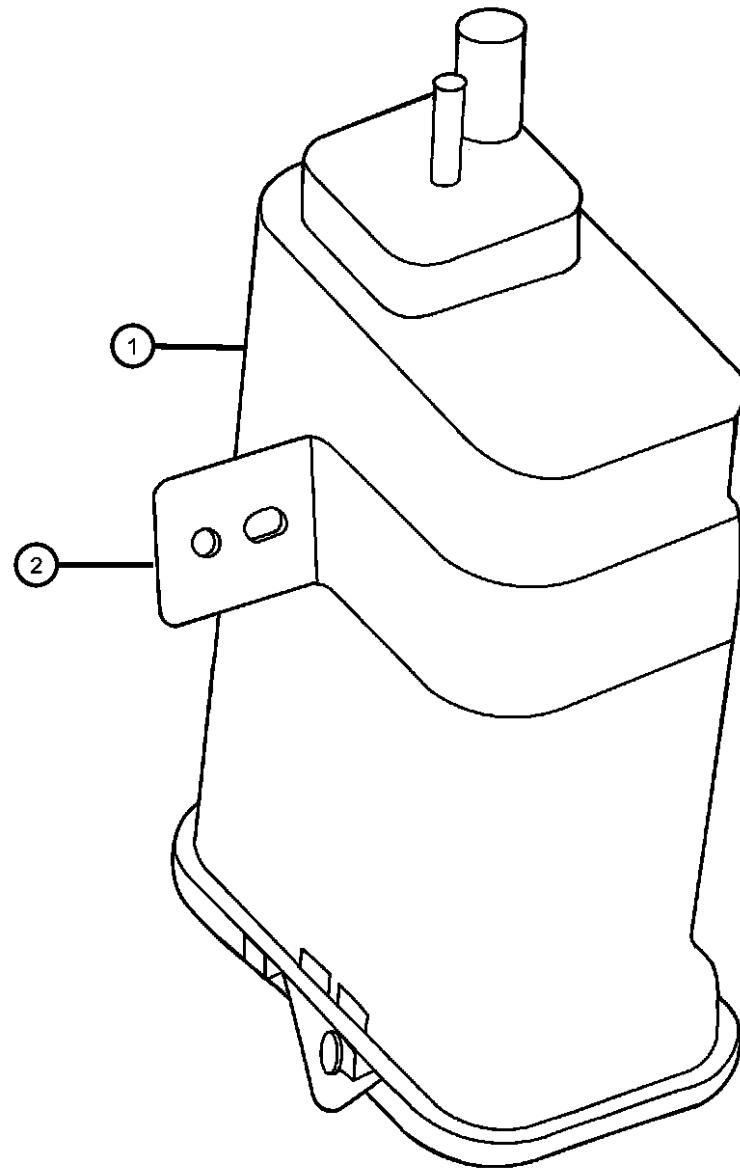
Leak Detection Pump .....Fig. 25 - 450



<p><b>025-300</b> Vacuum Canister</p> 	<p><b>025-400</b> Emission Harness</p> 		
---	--	--	--

Vacuum Canister  
Figure 25-310

ITEM	PART NUMBER	QTY	LINE	SERIES	BODY	ENGINE	TRANS	TRIM	DESCRIPTION
1									CANISTER, Vapor
	53013096AB	1							
		1			27				
2		1							BRACKET, Vapor Canister, Serviced with Fuel Tank, (NOT SERVICED)



VIPER (ZB)

SERIES  
S = SRT-10  
X = Coupe

LINE  
D = DODGE

BODY  
27 = 2-DR CONVERTIBLE  
29 = SPECIALTY COUPE

ENGINE  
EWC = Engine - 8.3L V10 SFI  
TRANSMISSION  
DEC = 6 Speed Manual  
DBB = All Manual Transmissions

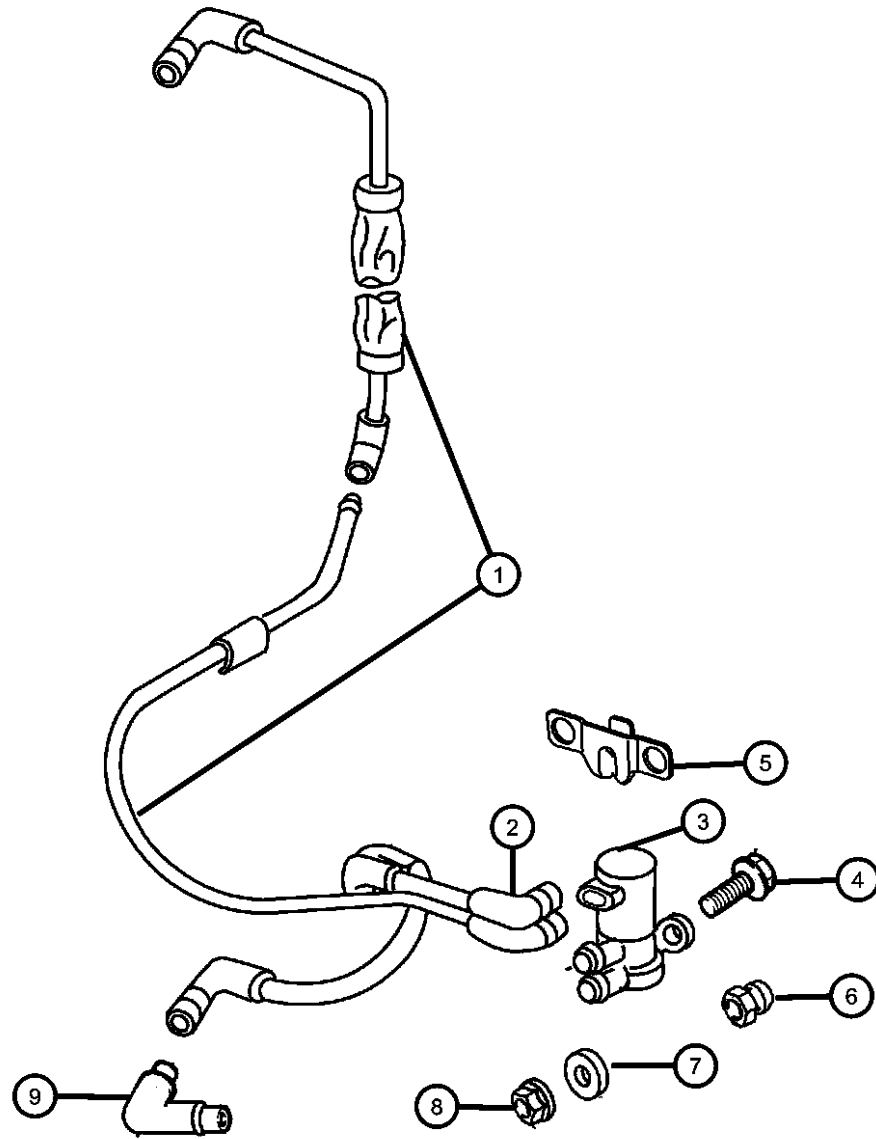
AR = use ase required - = Non illustrated part

2005 ZB

**Emission Harness  
Figure 25-410**

ITEM	PART NUMBER	QTY	LINE	SERIES	BODY	ENGINE	TRANS	TRIM	DESCRIPTION
------	-------------	-----	------	--------	------	--------	-------	------	-------------

NOTES: Sales Code  
[EWC] = 8.3L V10 SFI Engine



1	05290098AE	1				EWC			HARNESS, Engine to Purge Solenoid
2	05290098AE	1							CONNECTOR, Not Serviced in Harness, (NOT SERVICED)
3	04669475AB	1				EWC			SOLENOID, Duty Cycle Purge
4									SCREW AND WASHER, M6x1x40
	06100270	2			27	EWC			
		2				EWC			
5	04762085	1				EWC			BRACKET, Duty Cycle Purge Solenoid
6	04669268	2				EWC			GROMMET
7									SPACER, Speed Control Servo
	03502916	2				EWC			
		2			27	EWC			
8	34201358	2							NUT AND WASHER, Hex Nut-Sealing Washer, M6 x 1.00
9	34201358	2							ELBOW, Vapor Tube Harness, .25x.25 90 Degree, (NOT SERVICED)
-10	05037306AE	1				EWC			HARNESS, PCV
-11	05037308AE	1				EWC			HARNESS, CCV To Air Cleaner

**VIPER (ZB)**

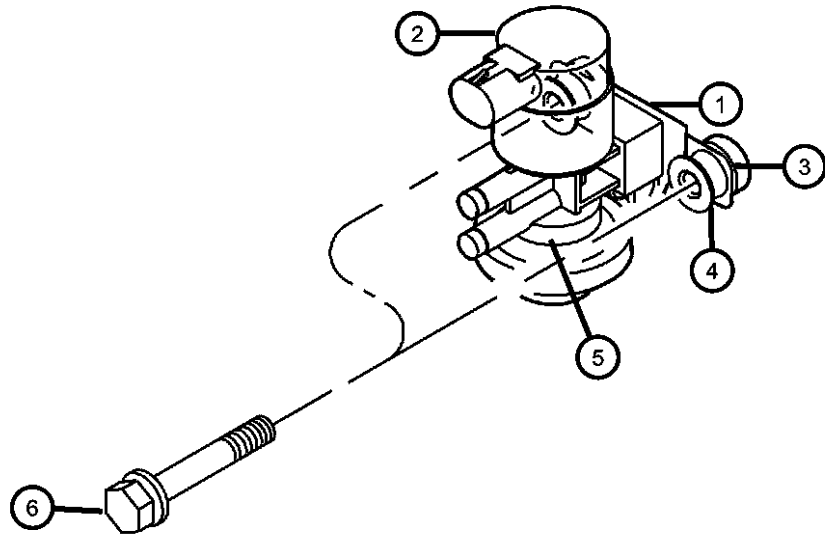
SERIES	LINE	BODY	ENGINE	TRANSMISSION
S = SRT-10	D = DODGE	27 = 2-DR CONVERTIBLE	EWC = Engine - 8.3L V10 SFI	DEC = 6 Speed Manual
X = Coupe		29 = SPECIALTY COUPE		DBB = All Manual Transmissions

AR = use ase required - = Non illustrated part

2005 ZB

Duty Cycle  
Figure 25-420

ITEM	PART NUMBER	QTY	LINE	SERIES	BODY	ENGINE	TRANS	TRIM	DESCRIPTION
Note; Sales Codes; [EWC] = 8.3L V10 SFI Engine									
1	04762085	1				EWC			BRACKET, Duty Cycle Purge Solenoid
2	04669475AB	1				EWC			SOLENOID, Duty Cycle Purge
3	04669268	2				EWC			GROMMET
4									SPACER, Speed Control Servo
	03502916	2				EWC			
		2					27		
5	53030987	1				EWC			BUSHING, Isolator
6									SCREW AND WASHER, M6x1x40
	06100270	2				EWC	27		
		2				EWC			
-7	05003974AA	1				EWC			BRACKET PACKAGE, DCP



VIPER (ZB)

SERIES

S = SRT-10

X = Coupe

LINE

D = DODGE

BODY

27 = 2-DR CONVERTIBLE

29 = SPECIALTY COUPE

ENGINE

EWC = Engine - 8.3L V10 SFI

TRANSMISSION

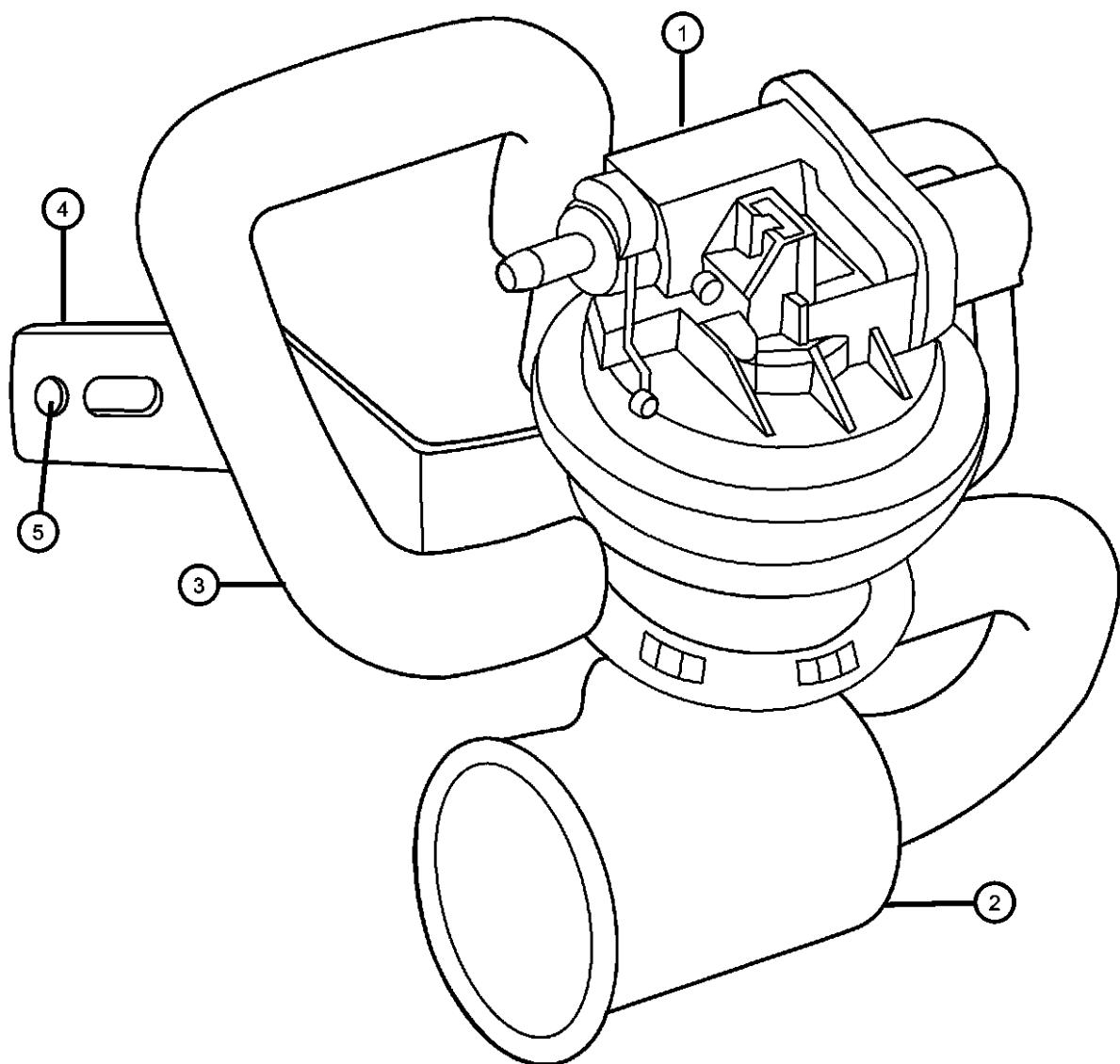
DEC = 6 Speed Manual

DBB = All Manual Transmissions

AR = use ase required - = Non illustrated part

2005 ZB

**Leak Detection Pump  
Figure 25-450**



ITEM	PART NUMBER	QTY	LINE	SERIES	BODY	ENGINE	TRANS	TRIM	DESCRIPTION
1	04891543AA	1							PUMP, Leak Detection
		1			27				
2	04612901	1							FILTER, Fuel Vapor Vent
		1			27				
3	05290153AA	1				EWC			TUBE, Leak Detection Pump Vacuum Supply
4	05290141AA	1							BRACKET, Leak Detection Pump
		1			27				
5	05290115AA	1							BOLT, Leak Detection Pump Bracket Mtg.
		1			27				
-6	04669177	2							GROMMET, Air Cleaner Bracket
		2			27				

**VIPER (ZB)**

SERIES  
S = SRT-10  
X = Coupe

LINE  
D = DODGE

BODY  
27 = 2-DR CONVERTIBLE  
29 = SPECIALTY COUPE

ENGINE  
EWC = Engine - 8.3L V10 SFI  
TRANSMISSION  
DEC = 6 Speed Manual  
DBB = All Manual Transmissions

AR = use ase required - = Non illustrated part

2005 ZB

# Group - DZB

## Doors and Related Parts

### Group - DZB Doors and Related Parts

Illustration Title

Group-Fig. No.

#### Front Door

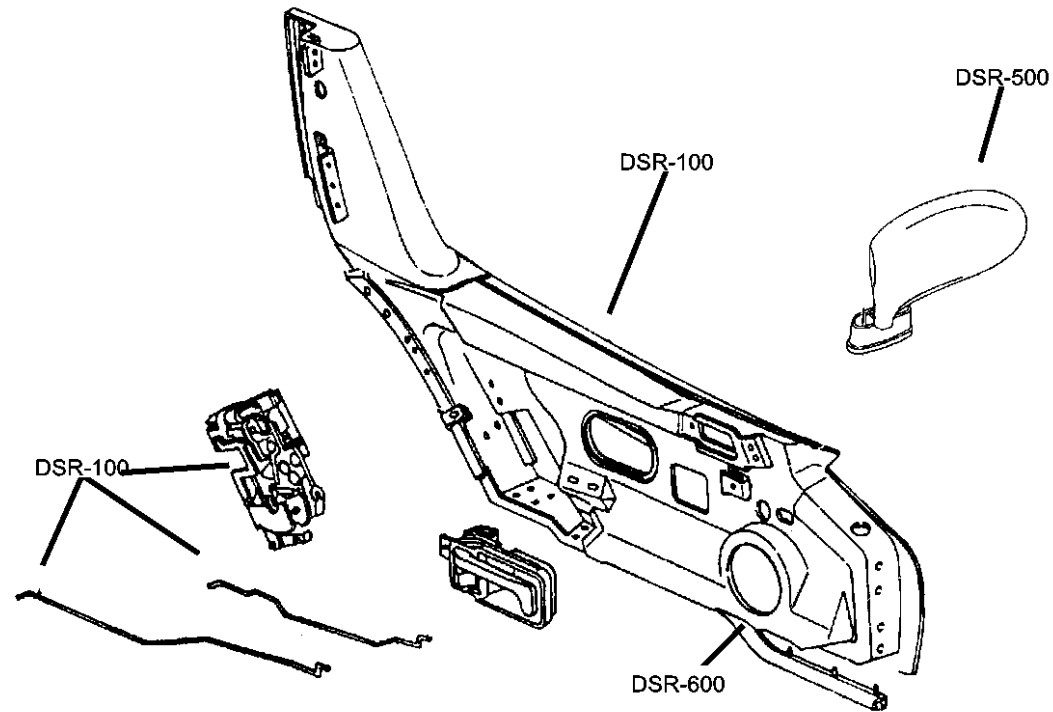
Door, Front Shell and Hinges.....	Fig. DZB - 110
Door , Front Glass and Regulator.....	Fig. DZB - 125
Door, Front Lock and Controls .....	Fig. DZB - 130

#### Exterior Mirror

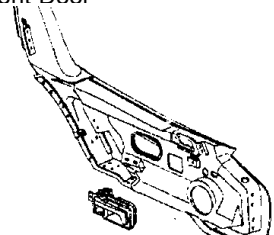
Mirrors, Exterior .....	Fig. DZB - 510
-------------------------	----------------

#### Weatherstrips and Seals

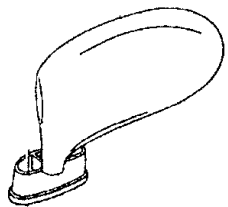
Door, Front Seals.....	Fig. DZB - 610
Weatherstrips, Body .....	Fig. DZB - 620



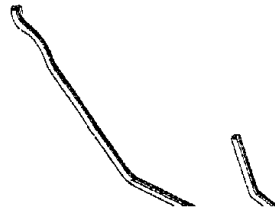
**DZB-100**  
Front Door



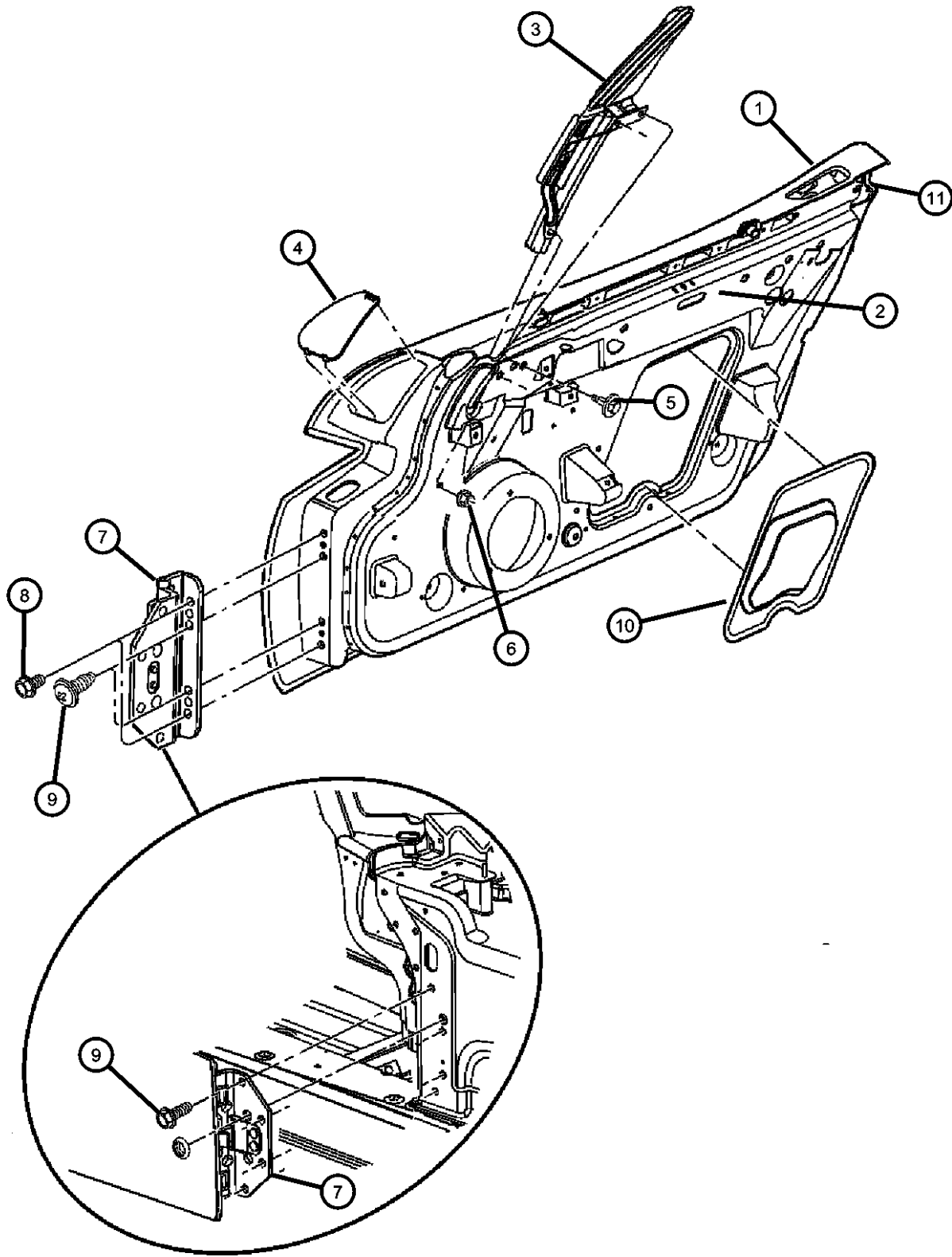
**DZB-500**  
Exterior Mirror



**DZB-600**  
Weatherstrips and Seals



Door, Front Shell and Hinges  
Figure DZB-110



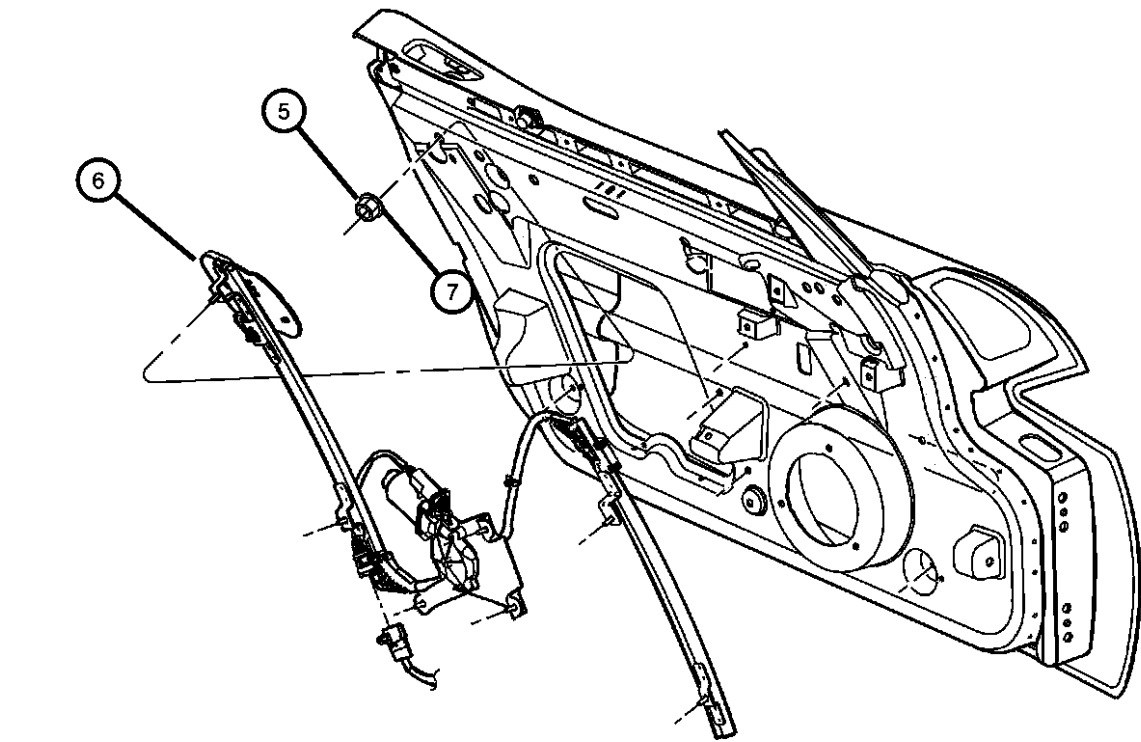
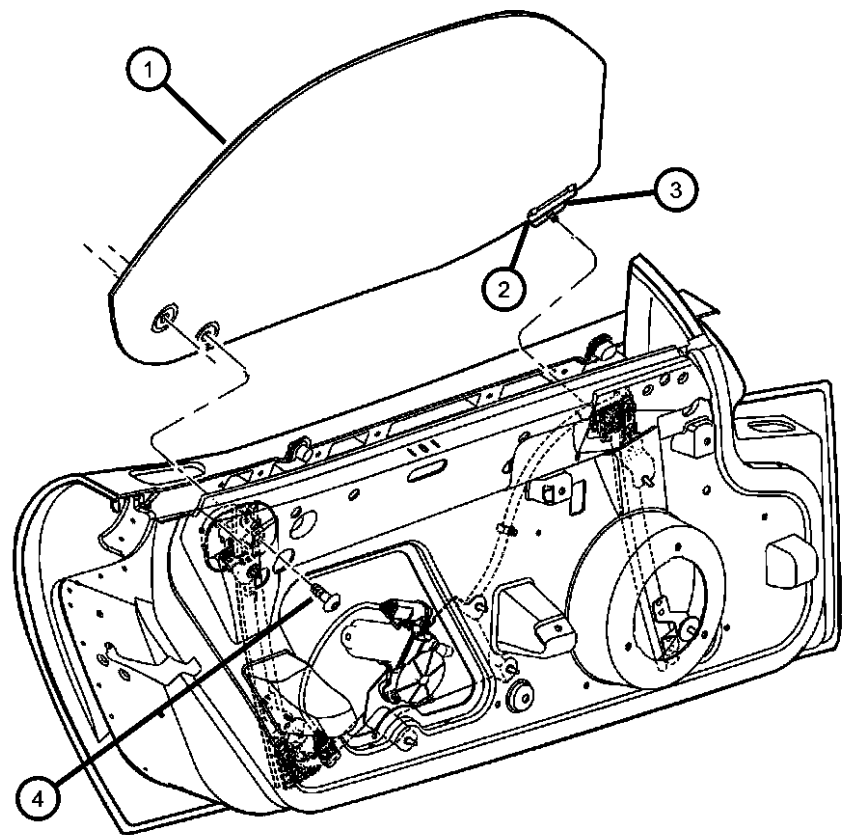
ITEM	PART NUMBER	QTY	LINE	SERIES	BODY	ENGINE	TRANS	TRIM	DESCRIPTION
1	04865592AF	1							DOOR, Front, Paint as Required Right
	04865593AF	1							Left
2	05029713AA	1			27				REINFORCEMENT, Door InnerRight And Left
3									FLAG, Door
	04865580AE	1							Right
	04865581AE	1							Left
4									PANEL, Access
	05029068AB	1							Right
	05029069AB	1							Left
5	06100567	6							SCREW AND WASHER, Hex Head, M6x1x25
6	06102126AA	4							NUT AND WASHER, Hex, M6x1.0
7	04865462AC	2							HINGE, Front Door
8	06502549	4							SCREW, Pan Head, M8x1.25x30
9	06503351	4							SCREW AND WASHER, Hex Head, M8x1.25x35
10									WATERSHIELD, Front Door
	04865586AA	1							Right
	04865587AA	1							Left
11	04860223	2							PLUG, Shock Tower Hole

VIPER (ZB)

SERIES	LINE	BODY	ENGINE	TRANSMISSION
S = SRT-10	D = DODGE	27 = 2-DR CONVERTIBLE	EWC = Engine - 8.3L V10 SFI	DEC = 6 Speed Manual
X = Coupe		29 = SPECIALTY COUPE		DBB = All Manual Transmissions

AR = use ase required - = Non illustrated part

**Door , Front Glass and Regulator  
Figure DZB-125**



ITEM	PART NUMBER	QTY	LINE	SERIES	BODY	ENGINE	TRANS	TRIM	DESCRIPTION
1	04865616AB	1							GLASS, Door, With Liftplate Right
	DD10331GTY								Collision Replacement Glass
	04865617AB	1							Left
	DD10332GTY								Collision Replacement Glass
2	04512685	2							BUSHING, Door Glass, Liftplate to Glass
3	04512684	2							RETAINER, Glass to Liftplate
4	06504791	2							SCREW, TAPPING, BUTTON HEAD, M6 X 1.00 X 18.00
5	06101694	10			27				NUT, M6x1.00
6									REGULATOR, Front Door Window
	04865610AC	1							Right
	04865611AC	1							Left
7	05029626AA	10			27				REINFORCEMENT, Window Regulator
-8	04658734AC	2							STABILIZER, Door Glass Belt, Includes item #9, Bracket, Rivet, Inner
-9	04396294	2							STABILIZER, Door Glass

**VIPER (ZB)**

SERIES  
S = SRT-10  
X = Coupe

LINE  
D = DODGE

BODY  
27 = 2-DR CONVERTIBLE  
29 = SPECIALTY COUPE

ENGINE  
EWC = Engine - 8.3L V10 SFI

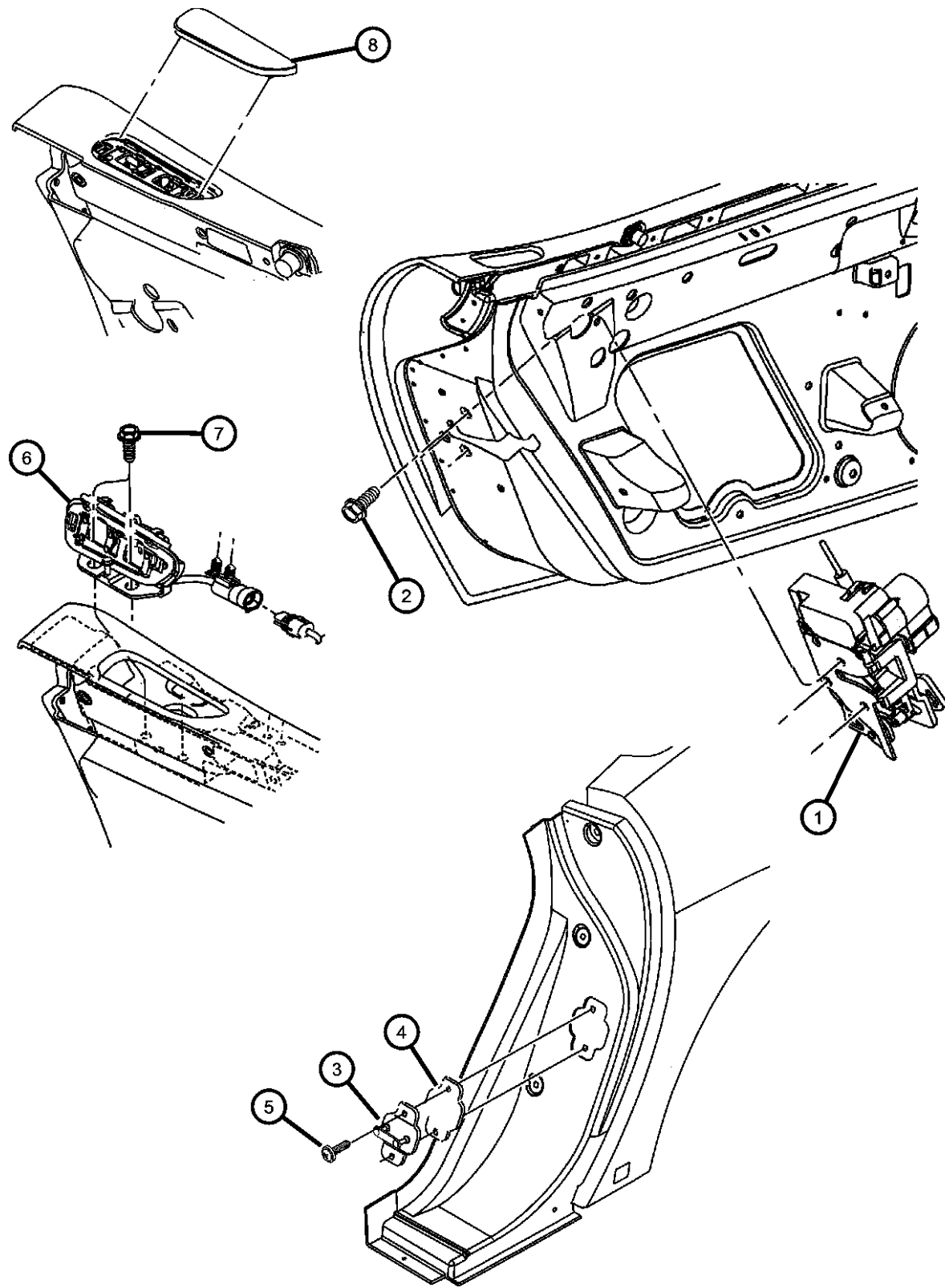
TRANSMISSION  
DEC = 6 Speed Manual  
DBB = All Manual Transmissions

AR = use ase required - = Non illustrated part

2005 ZB



Door, Front Lock and Controls  
Figure DZB-130



ITEM	PART NUMBER	QTY	LINE	SERIES	BODY	ENGINE	TRANS	TRIM	DESCRIPTION
1	04865726AA	1							LATCH, Front Door Right
	04865727AB	1							Left
2	06501373	6							SCREW AND WASHER, Hex Head, M6x1x20
3	04643066	2							STRIKER, Door LatchRight
4	04643067	AR							SPACER, Door Lock StrikerLeft
5	06507852AA	4							SCREW, Striker attaching
6	05029144AB	1							HANDLE, Front Door Exterior Right
	05029145AC	1							Left
7	06101650	2							SCREW AND WASHER, M5X.80X20.00
8	06101650	2							COVER, Handle
	0TR32BWAAB	1							[WA], Right
	0TR32CVRAB	1							[VR], Right
	0TR32LRNAB	1							[RN], Right
	0TR32MX3AB	1							[X3], Right
	0TR32VA9AB	1							[A9], Right
	0TR32WYRAB	1							[YR], Right
	0TR33BWAAB	1							[WA], Left
	0TR33CVRAB	1							[VR], Left
	0TR33LRNAB	1							[RN], Left
	0TR33MX3AB	1							[X3], Left
	0TR33VA9AB	1							[A9], Left
	0TR33WYRAB	1							[YR], Left
-9	34202688	2							CLIP, Latch&Line, Inside Door Handle Cable to Door inner
-10	05073039AA	2							STRAP, Tie, Latch release cable to Door Beam

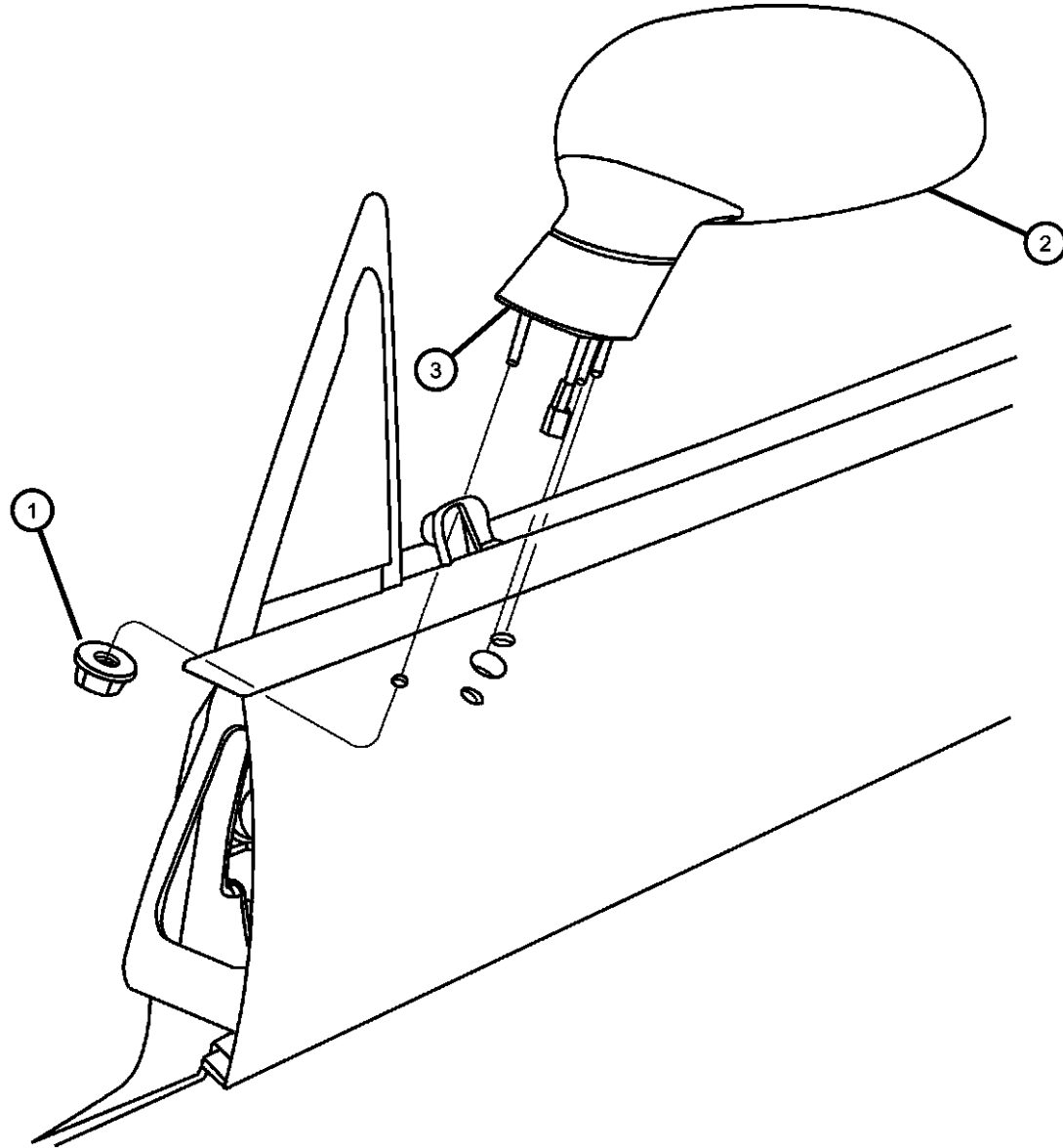
VIPER (ZB)

SERIES	LINE	BODY	ENGINE	TRANSMISSION
S = SRT-10	D = DODGE	27 = 2-DR CONVERTIBLE	EWC = Engine - 8.3L V10 SFI	DEC = 6 Speed Manual
X = Coupe		29 = SPECIALTY COUPE		DBB = All Manual Transmissions

AR = use ase required - = Non illustrated part

Mirrors, Exterior  
Figure DZB-510

ITEM	PART NUMBER	QTY	LINE	SERIES	BODY	ENGINE	TRANS	TRIM	DESCRIPTION
1	06102101AA	6							NUT AND WASHER, Hex, M5x0.80
2									MIRROR, Outside Rearview
	0TR36BWAAC	1							[WA], Right
	0TR36CVRAC	1							[VR], Right
	0TR36LRNAC	1							[RN], Right
	0TR36MX3AC	1							[X3], Right
	0TR36VA9AC	1							[A9], Right
	0TR37BWAAC	1							[WA], Left
	0TR37CVRAC	1							[VR], Left
	0TR37LRNAC	1							[RN], Left
	0TR37MX3AC	1							[X3], Left
	0TR37VA9AC	1							[A9], Left
3									GASKET, Mirror attaching
	05030180AA	1							EXPORT, Right
	05030181AA	1							EXPORT, Left
	05170134AA	1							Lower, EXPORT, Right
	05170135AA	1							Lower, EXPORT, Left



VIPER (ZB)

SERIES

S = SRT-10

X = Coupe

LINE

D = DODGE

BODY

27 = 2-DR CONVERTIBLE

29 = SPECIALTY COUPE

ENGINE

EWC = Engine - 8.3L V10 SFI

TRANSMISSION

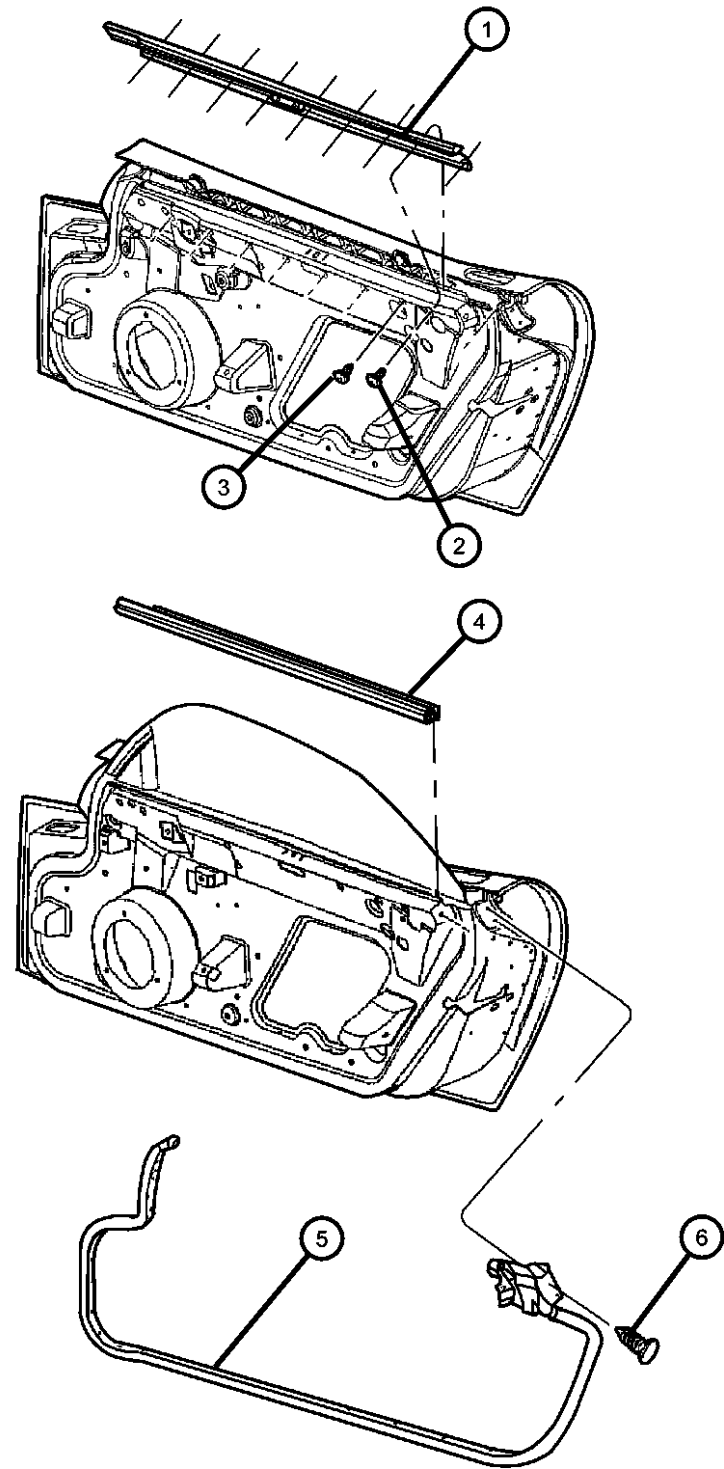
DEC = 6 Speed Manual

DBB = All Manual Transmissions

AR = use ase required - = Non illustrated part

2005 ZB

Door, Front Seals  
Figure DZB-610



ITEM	PART NUMBER	QTY	LINE	SERIES	BODY	ENGINE	TRANS	TRIM	DESCRIPTION
1	04865584AA	1							WEATHERSTRIP, Door Belt, Outer Right
	04865585AA	1							Left
2	00154936AA	4							SCREW
3	06032723	14							SCREW, Self Tapping, M4.2x1.69x19.05
4	04865578AA	1							WEATHERSTRIP, Door Belt, Inner Right
	04865579AA	1							Left
5	04865564AD	1							WEATHERSTRIP, Front Door Sill Secondary Right
	04865565AD	1							Left
6	04658673	2							PIN PUSH, .150x.410

VIPER (ZB)

SERIES  
S = SRT-10  
X = Coupe

LINE  
D = DODGE

BODY  
27 = 2-DR CONVERTIBLE  
29 = SPECIALTY COUPE

ENGINE  
EWC = Engine - 8.3L V10 SFI

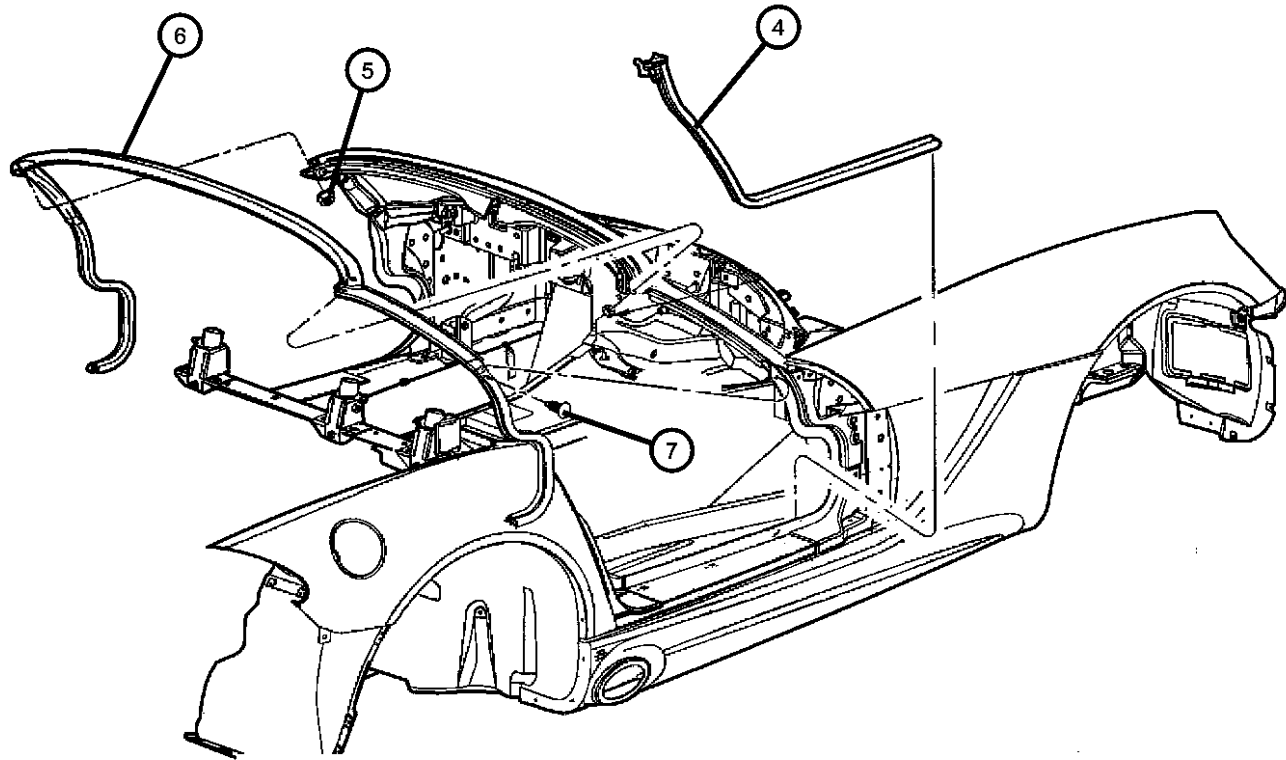
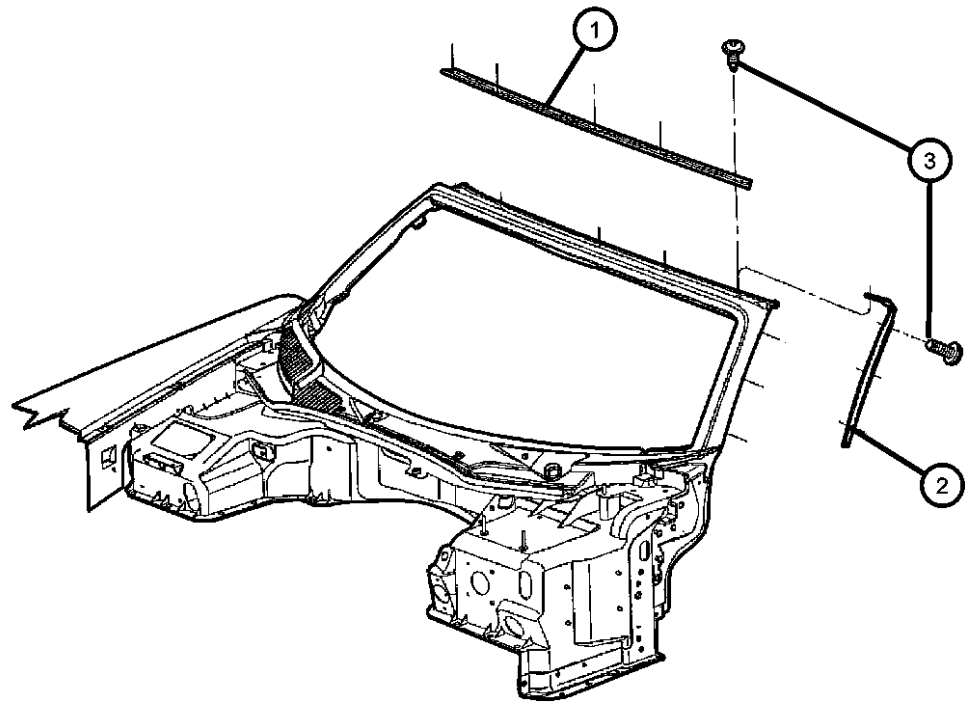
TRANSMISSION  
DEC = 6 Speed Manual  
DBB = All Manual Transmissions

AR = use ase required - = Non illustrated part

2005 ZB

Weatherstrips, Body  
Figure DZB-620

ITEM	PART NUMBER	QTY	LINE	SERIES	BODY	ENGINE	TRANS	TRIM	DESCRIPTION
1	04865574AB	1							RETAINER, Weatherstrip
2	04865576AB	1							RETAINER, Weatherstrip
3	06508056AA	1							SCREW, M5x16
4									WEATHERSTRIP, Front Door Opening Right
	04865562AF	1							Left
	04865563AF	1							
5	04865563AF	1							NUT AND WASHER, Hex Nut-Coned Washer, M5 x 0.80, (NOT SERVICED)
6	04865561AE	1							WEATHERSTRIP, Header and A pillar
7	04658673	2							PIN PUSH, .150x.410



VIPER (ZB)

SERIES

S = SRT-10

X = Coupe

LINE

D = DODGE

BODY

27 = 2-DR CONVERTIBLE

29 = SPECIALTY COUPE

ENGINE

EWC = Engine - 8.3L V10 SFI

TRANSMISSION

DEC = 6 Speed Manual

DBB = All Manual Transmissions

AR = use ase required - = Non illustrated part

2005 ZB

# Group - EZB

## Exterior Ornamentation

### Group - EZB Exterior Ornamentation

Illustration Title

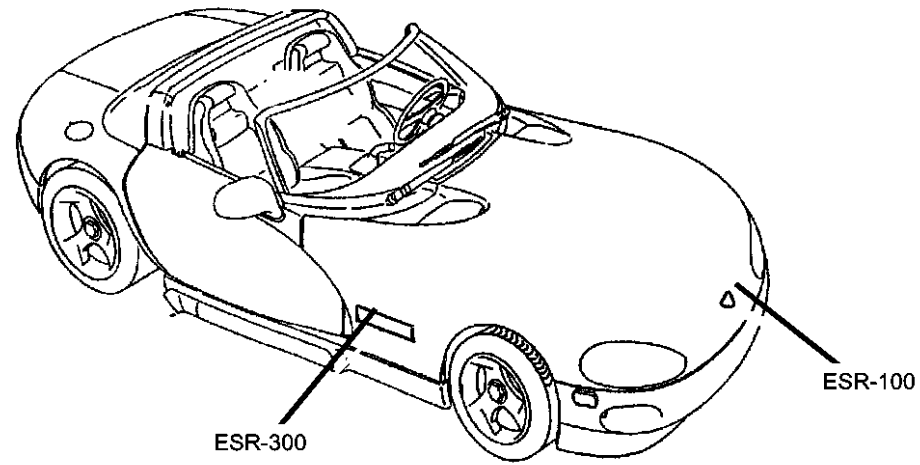
Group-Fig. No.

#### Medallions

Nameplates.....Fig. EZB - 110

#### Decals

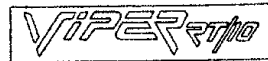
Decals..... Fig. EZB - 310



**EZB-100**  
Medallions



**EZB-300**  
Decals

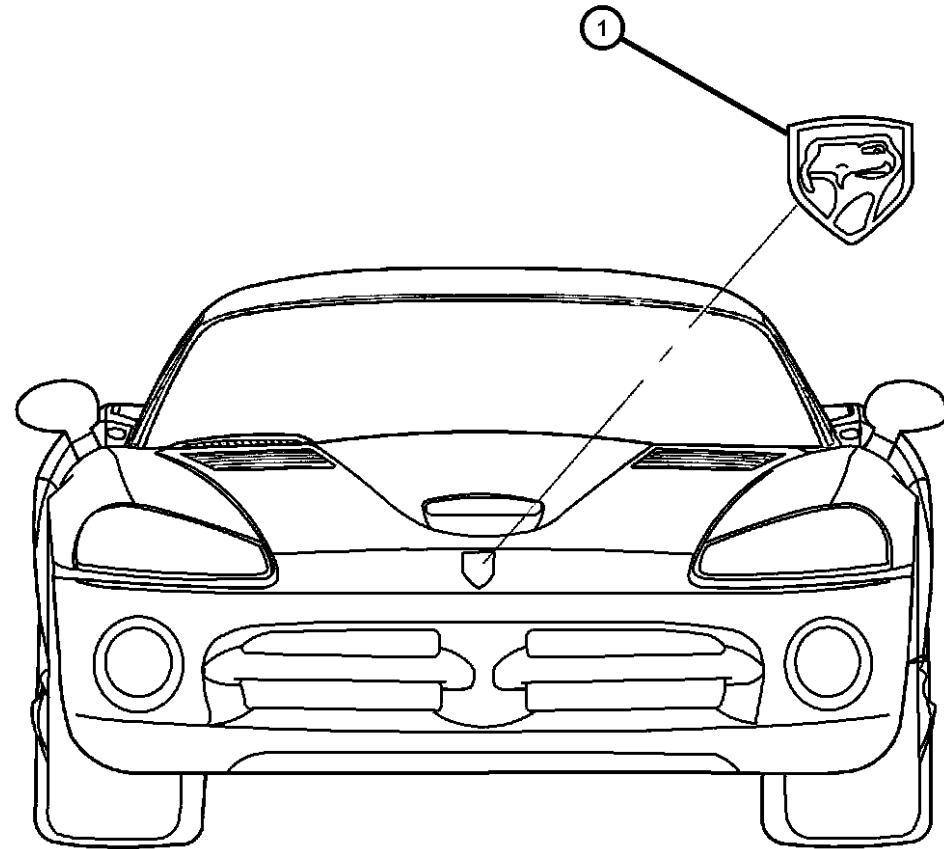


Nameplates  
Figure EZB-110

ITEM	PART NUMBER	QTY	LINE	SERIES	BODY	ENGINE	TRANS	TRIM	DESCRIPTION
------	-------------	-----	------	--------	------	--------	-------	------	-------------

NOTE: Also see DECAL Illustration  
ASA = Mamba Edition

1									MEDALLION, Viper Head
	0UW3701RAA	1							[ASA]
	0UW3706SAA	1							



VIPER (ZB)

SERIES	LINE	BODY	ENGINE	TRANSMISSION
S = SRT-10	D = DODGE	27 = 2-DR CONVERTIBLE	EWC = Engine - 8.3L V10 SFI	DEC = 6 Speed Manual
X = Coupe		29 = SPECIALTY COUPE		DBB = All Manual Transmissions

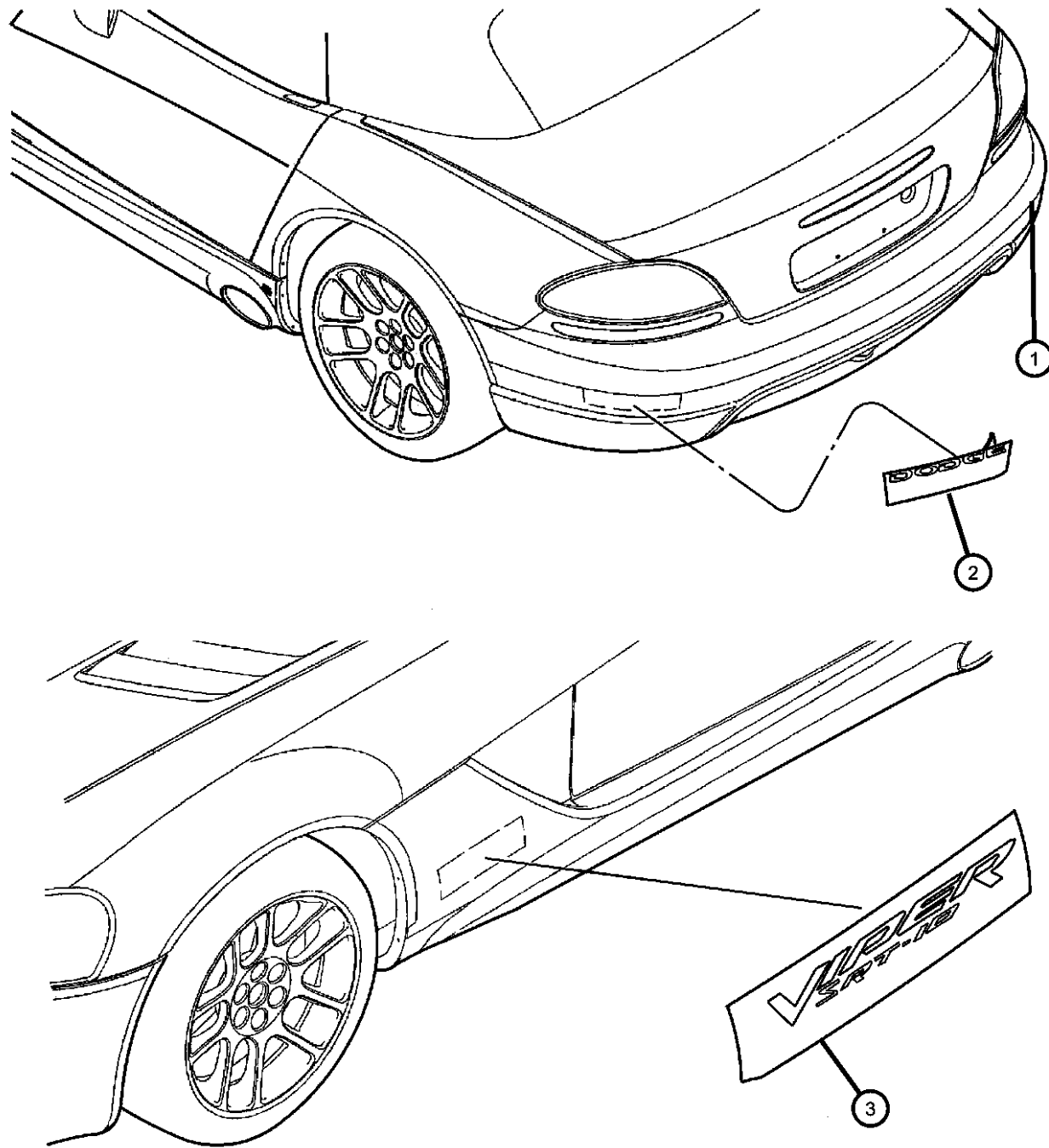
AR = use ase required - = Non illustrated part

2005 ZB

**Decals  
Figure EZB-310**

ITEM	PART NUMBER	QTY	LINE	SERIES	BODY	ENGINE	TRANS	TRIM	DESCRIPTION
------	-------------	-----	------	--------	------	--------	-------	------	-------------

NOTE: Also see NAMEPLATE Illustration



1	0WN73BWAAB	1							DECAL, Viper
	0WN73CVRAB	1							[KEW]
	0WN73PX3AB	1							[KEG]
	0WN73VADAB	1							[KEX]
	0WN73WRRAB	1							[KEA]
	0WN73WYTAB	1							[KER]
2	0WN80BWAAA	1							DECAL, Dodge
	0WN80CVRAA	1							[KSW]
	0WN80PX3AA	1							[KSG]
	0WN80VADAA	1							[KSX]
	0WN80WR-RAA	1							[KSA]
	0WN80WYTAA	1							[KSR]
3	0WN811ARAB	2							DECAL, Viper, SRT-10
	0WN81BWaab	2							[KDR] Mamba Edition [ASA]
	0WN81CVRAB	2							[KDW]
	0WN81PX3AB	2							[KSG]
	0WN81VADAB	2							[KDX]
	0WN81WRRAB	2							[KDA]
	0WN81WYTAB	2							[KDR]
	0WN81XZAAB	2							[KDE]
									[KDS]

**VIPER (ZB)**

SERIES  
S = SRT-10  
X = Coupe

LINE  
D = DODGE

BODY  
27 = 2-DR CONVERTIBLE  
29 = SPECIALTY COUPE

ENGINE  
EWC = Engine - 8.3L V10 SFI

TRANSMISSION  
DEC = 6 Speed Manual  
DBB = All Manual Transmissions

AR = use ase required - = Non illustrated part

2005 ZB

# Group - IZB

## Interior Trim

### Group - IZB Interior Trim

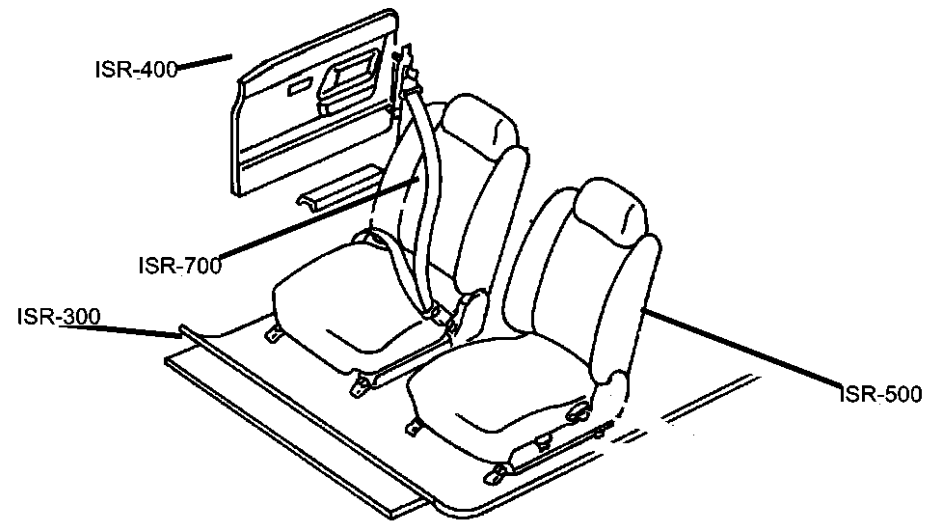


Illustration Title

Group-Fig. No.

#### Headliner and Visor

Visors And Footrest ..... Fig. IZB - 110

#### Quarter Panels and Scuff Plates

Molding Windshield ..... Fig. IZB - 205  
 Rear Bulkhead Panels ..... Fig. IZB - 210  
 Quarter, Cowl And Rear Bulkhead Attaching Panels ..... Fig. IZB - 215  
 Door Sill Scuff Plate, & Footrest ..... Fig. IZB - 220  
 Panel - Sill Outer ..... Fig. IZB - 225  
 Tonneau Cover ..... Fig. IZB - 230

#### Carpets, Mats and Insulation

Carpet Front ..... Fig. IZB - 310  
 Carpet Rear - Slingwell ..... Fig. IZB - 315

#### Door Trim Panels-Front

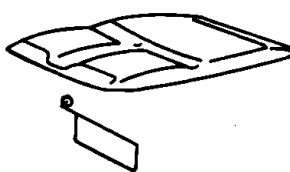
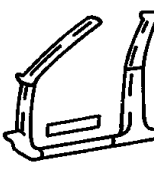
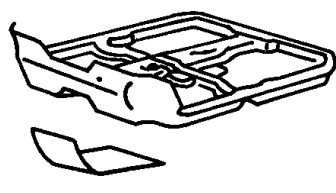
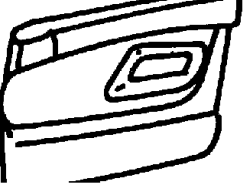
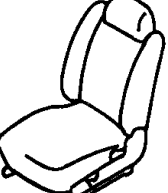
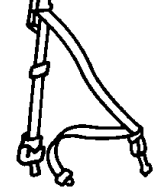
Door Panel ..... Fig. IZB - 410

#### Front Seats

Seat, Front ..... Fig. IZB - 510

#### Seat Belts Front-Outer and Inner

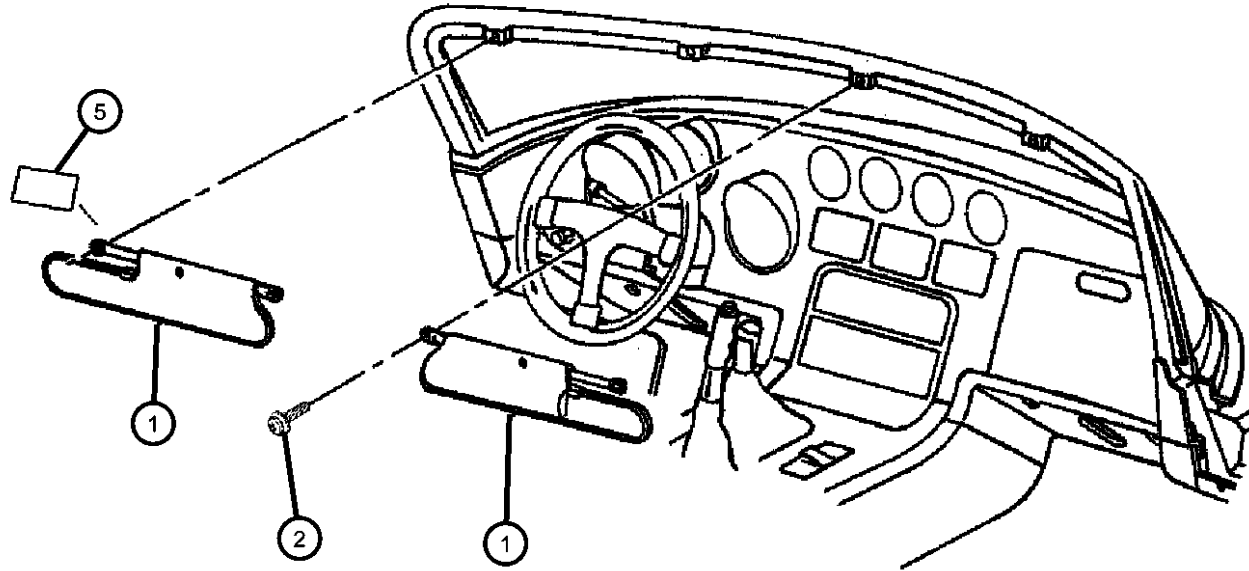
Belts - Front ..... Fig. IZB - 710

<p><b>IZB-100</b> Headliner and Visor</p> 	<p><b>IZB-200</b> Quarter Panels and Scuff Plates</p> 	<p><b>IZB-300</b> Carpets, Mats and Insulation</p> 	<p><b>IZB-400</b> Door Trim Panels-Front</p> 
<p><b>IZB-500</b> Front Seats</p> 	<p><b>IZB-700</b> Seat Belts Front-Outer and Inner</p> 		



**Visors And Footrest  
Figure IZB-110**

ITEM	PART NUMBER	QTY	LINE	SERIES	BODY	ENGINE	TRANS	TRIM	DESCRIPTION
1	0UZ101X7AB	1						*00	VISOR Right
	0UZ111X7AB	1						*00	Left
2	06507672AA	4							SCREW
-3	06507672AA	4							SCREW, .190-16x.500, Model 29 Visor screws not serviced, (NOT SERVICED)
-4	06507672AA	4							SCREW, [.164-18x.625], (NOT SERVICED)
5	04595749AA	1							LABEL, Air Bag Warning, English/French



**VIPER (ZB)**

SERIES  
S = SRT-10  
X = Coupe

LINE  
D = DODGE

BODY  
27 = 2-DR CONVERTIBLE  
29 = SPECIALTY COUPE

ENGINE  
EWC = Engine - 8.3L V10 SFI

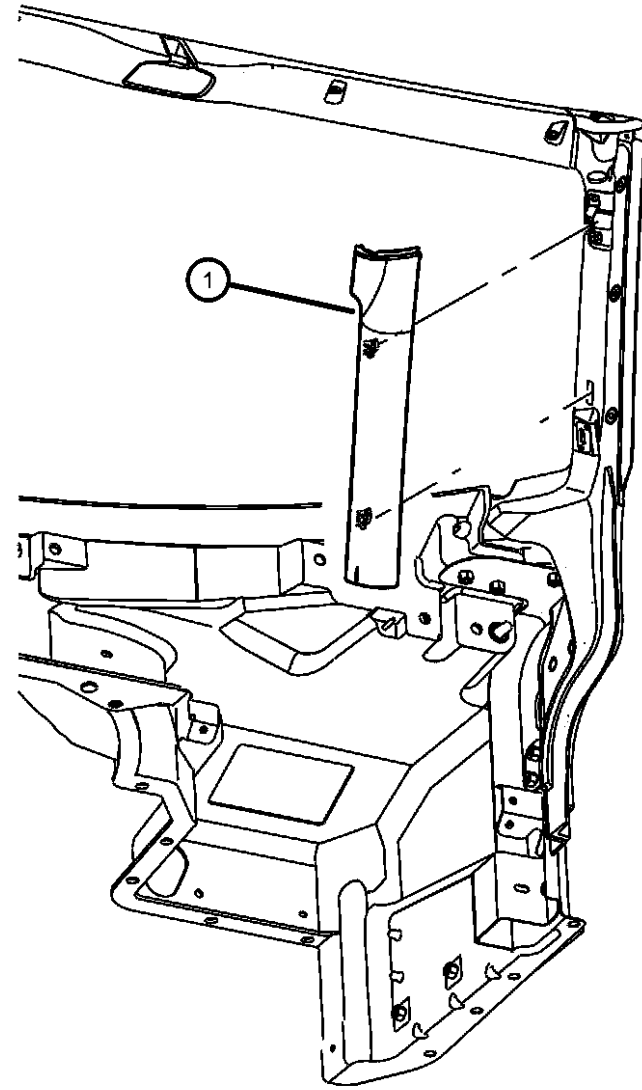
TRANSMISSION  
DEC = 6 Speed Manual  
DBB = All Manual Transmissions

AR = use ase required - = Non illustrated part

2005 ZB

Molding Windshield  
Figure IZB-205

ITEM	PART NUMBER	QTY	LINE	SERIES	BODY	ENGINE	TRANS	TRIM	DESCRIPTION
1									MOLDING, Windshield Garnish
	0TR82RXFAA	1						*00	Right
	0TR83RXFAA	1						*00	Left



VIPER (ZB)

SERIES  
S = SRT-10  
X = Coupe

LINE  
D = DODGE

BODY  
27 = 2-DR CONVERTIBLE  
29 = SPECIALTY COUPE

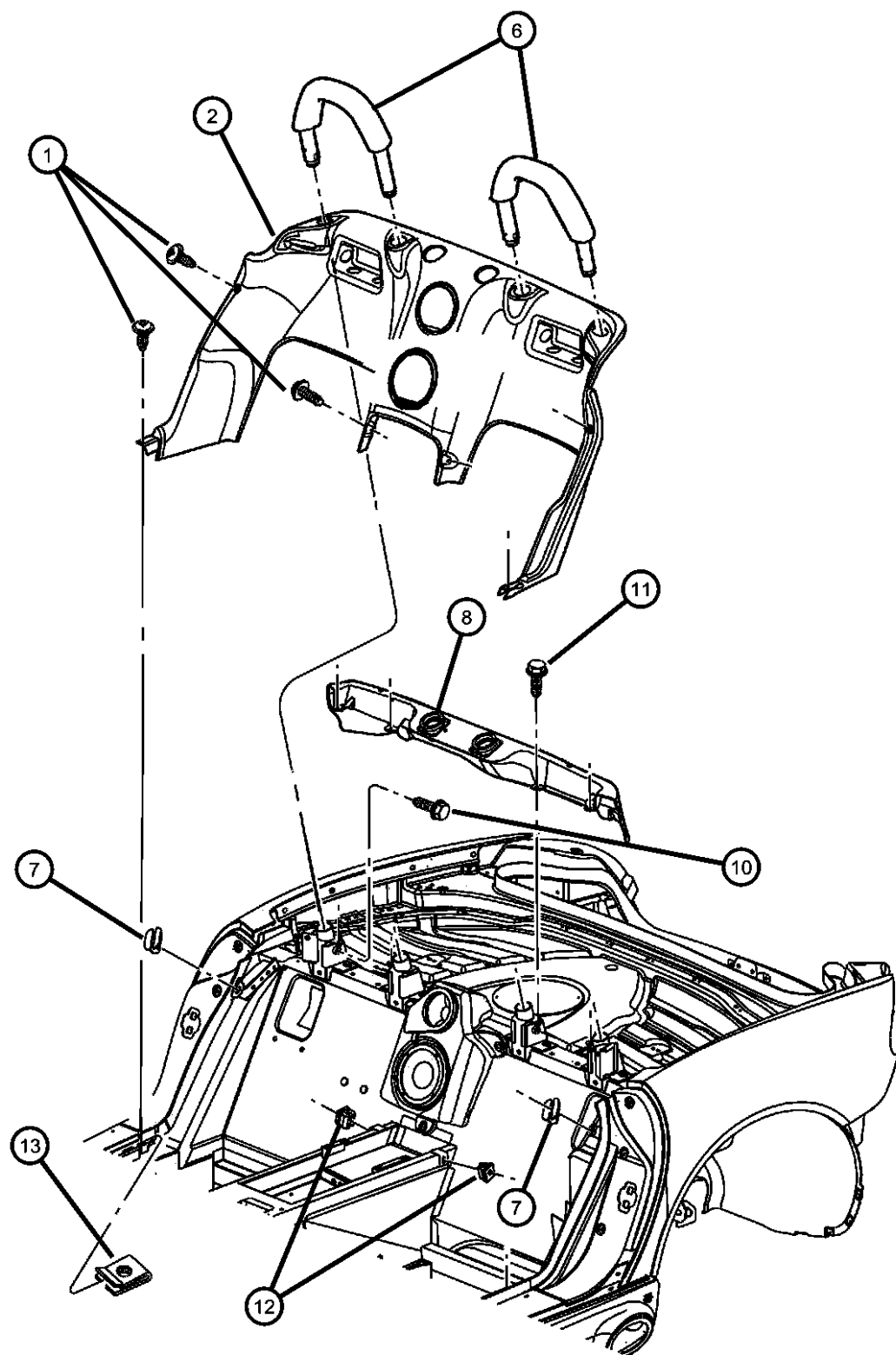
ENGINE  
EWC = Engine - 8.3L V10 SFI

TRANSMISSION  
DEC = 6 Speed Manual  
DBB = All Manual Transmissions

AR = use ase required - = Non illustrated part

2005 ZB

Rear Bulkhead Panels  
Figure IZB-210



ITEM	PART NUMBER	QTY	LINE	SERIES	BODY	ENGINE	TRANS	TRIM	DESCRIPTION
1	00153754	2							SCREW, .190-16x1.00
2	0TS04DX9AB	1						*00	PANEL, Bulkhead Trim, Includes Screws, Grilles, and Panel
-3	05096017AA	1						*00	PANEL, Bulkhead, Panel Only
-4	05093847AA	1						*00	SCREW
-5	05093846AA	1						*00	SCREW
6									SPORT HOOP, Bulkhead
	0TS38DX9AB	1						*00	Right
	0TS39DX9AB	1						*00	Left
7	06031869	2							NUT, Push, .19, Bulkhead Trim Attaching
8	05029072AB	1							PANEL, Bulkhead Trim, Includes Speaker, Panel, Screws and Nuts
-9	05096016AB	1							PANEL, Bulkhead Support, Panel Only
10	06101722	4							SCREW AND WASHER, Hex Head, M8x1.25x60
11	06102103AA	4							SCREW AND WASHER, Hex Head, M6x1x20
12	06032058	2							NUT, Snap In
13	00152493	2							NUT, Bulkhead Attaching

VIPER (ZB)

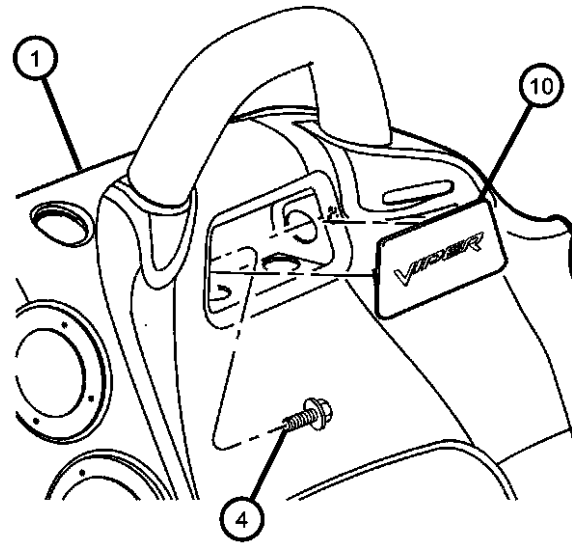
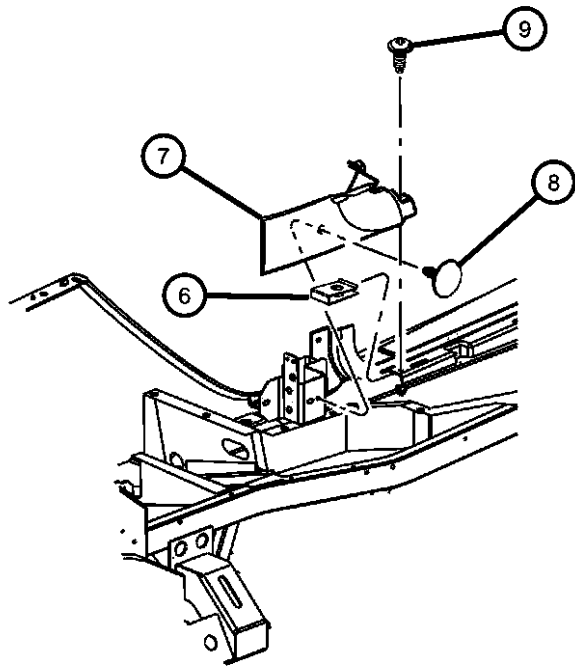
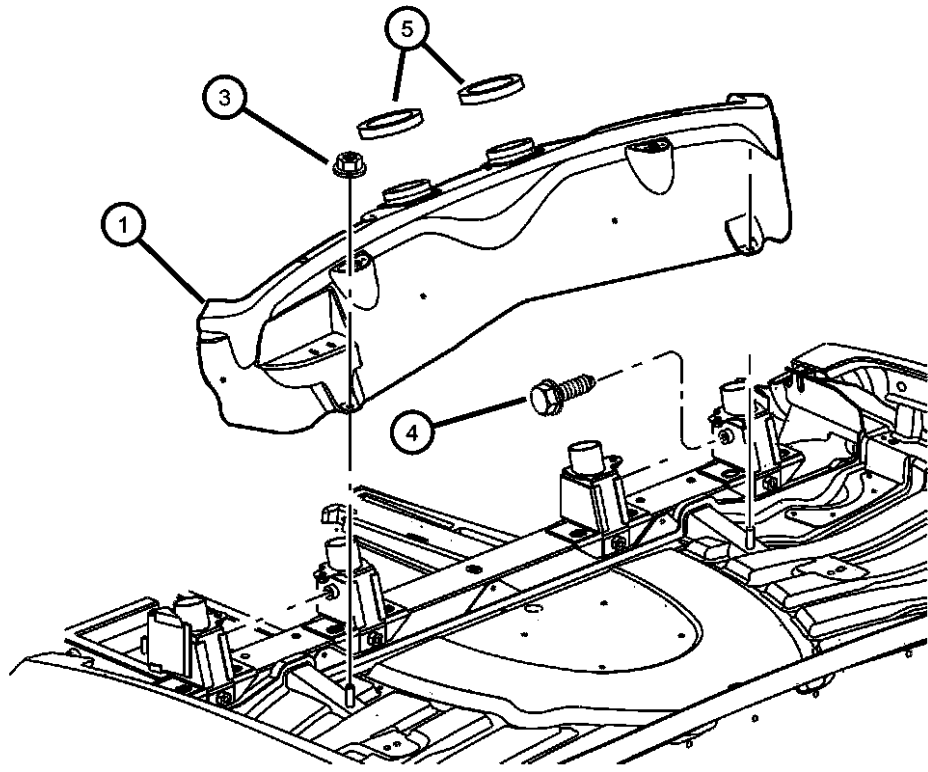
SERIES	LINE	BODY	ENGINE	TRANSMISSION
S = SRT-10	D = DODGE	27 = 2-DR CONVERTIBLE	EWC = Engine - 8.3L V10 SFI	DEC = 6 Speed Manual
X = Coupe		29 = SPECIALTY COUPE		DBB = All Manual Transmissions

AR = use ase required - = Non illustrated part

2005 ZB

**Quarter, Cowl And Rear Bulkhead Attaching Panels**  
**Figure IZB-215**

ITEM	PART NUMBER	QTY	LINE	SERIES	BODY	ENGINE	TRANS	TRIM	DESCRIPTION
NOTE: Sales Code [SDP] = Service Dealer Paint									
1	05029072AB	1							PANEL, Bulkhead Trim, Includes Speakers, Panel, Screws and Nuts
-2	05096016AB	1							PANEL, Bulkhead Support, Panel Only
3	06101968	2							NUT, M6x1.00
4	06101722	4							SCREW AND WASHER, Hex Head, M8x1.25x60
5									COVER, Bulkhead
	0XK36DX9AA	1						*00	Right
	0XK37DX9AA	1						*00	Left
6	0XK37DX9AA	1							NUT, For [.190-16] Screw, (NOT SERVICED)
7									PANEL, Cowl Side Trim
	0UR52DX9AA	1						*00	Right
	0UR53DX9AA	1						*00	Left
8	5DV62DX9	3						*00	FASTENER, Trim Panel Attaching
9	5DV62DX9	3							SCREW, Tap Hex Flange Head, .190-16x1.0, (NOT SERVICED)
10									COVER, Bulkhead
	0XK36DX9AA	1						*00	Right
	0XK37DX9AA	1						*00	Left
-11	05029058AA	2							BRACKET, Close-Out
-12	05093696AA	1				27			SCREW



**VIPER (ZB)**

SERIES

S = SRT-10

X = Coupe

LINE

D = DODGE

BODY

27 = 2-DR CONVERTIBLE

29 = SPECIALTY COUPE

ENGINE

EWC = Engine - 8.3L V10 SFI

TRANSMISSION

DEC = 6 Speed Manual

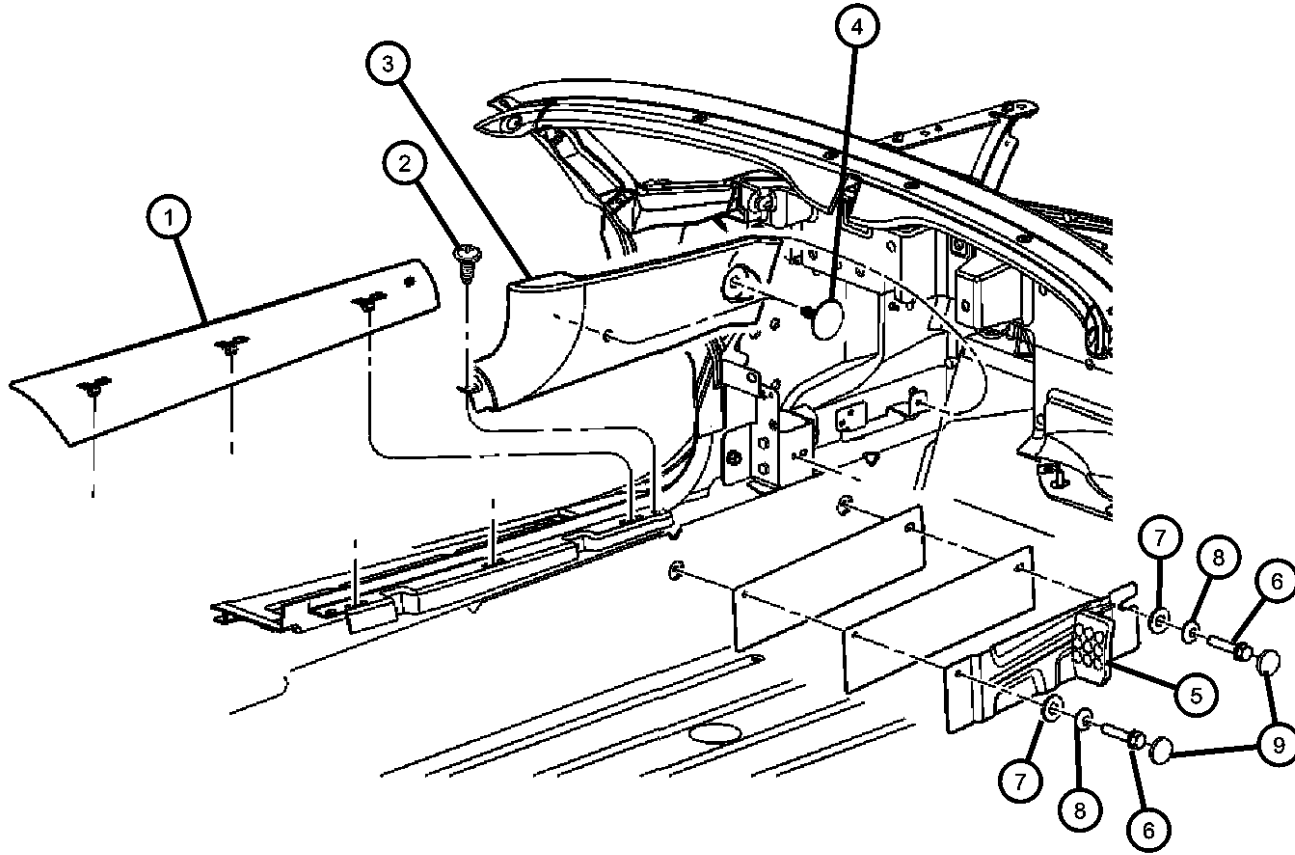
DBB = All Manual Transmissions

AR = use ase required - = Non illustrated part

2005 ZB

**Door Sill Scuff Plate, & Footrest  
Figure IZB-220**

ITEM	PART NUMBER	QTY	LINE	SERIES	BODY	ENGINE	TRANS	TRIM	DESCRIPTION
1	0TR88DX9AC	1						*00	SILL COVER, Interior Right
	0TR89DX9AC	1						*00	Left
2	00153754	6							SCREW, .190-16x1.00
3	00153754	6							PANEL, Reference - See Ill. 215, (NOT REQUIRED)
4	5DV62DX9	3						*00	FASTENER, Trim Panel Attaching FOOTREST
5	04865929AD	1							FOOTREST
6	06101630	2							SCREW, Footrest Attach
7	05290365AB	2							WASHER
8	05290332AA	2							RETAINER
9	05290331AB	2							CAP



**VIPER (ZB)**

SERIES  
S = SRT-10  
X = Coupe

LINE  
D = DODGE

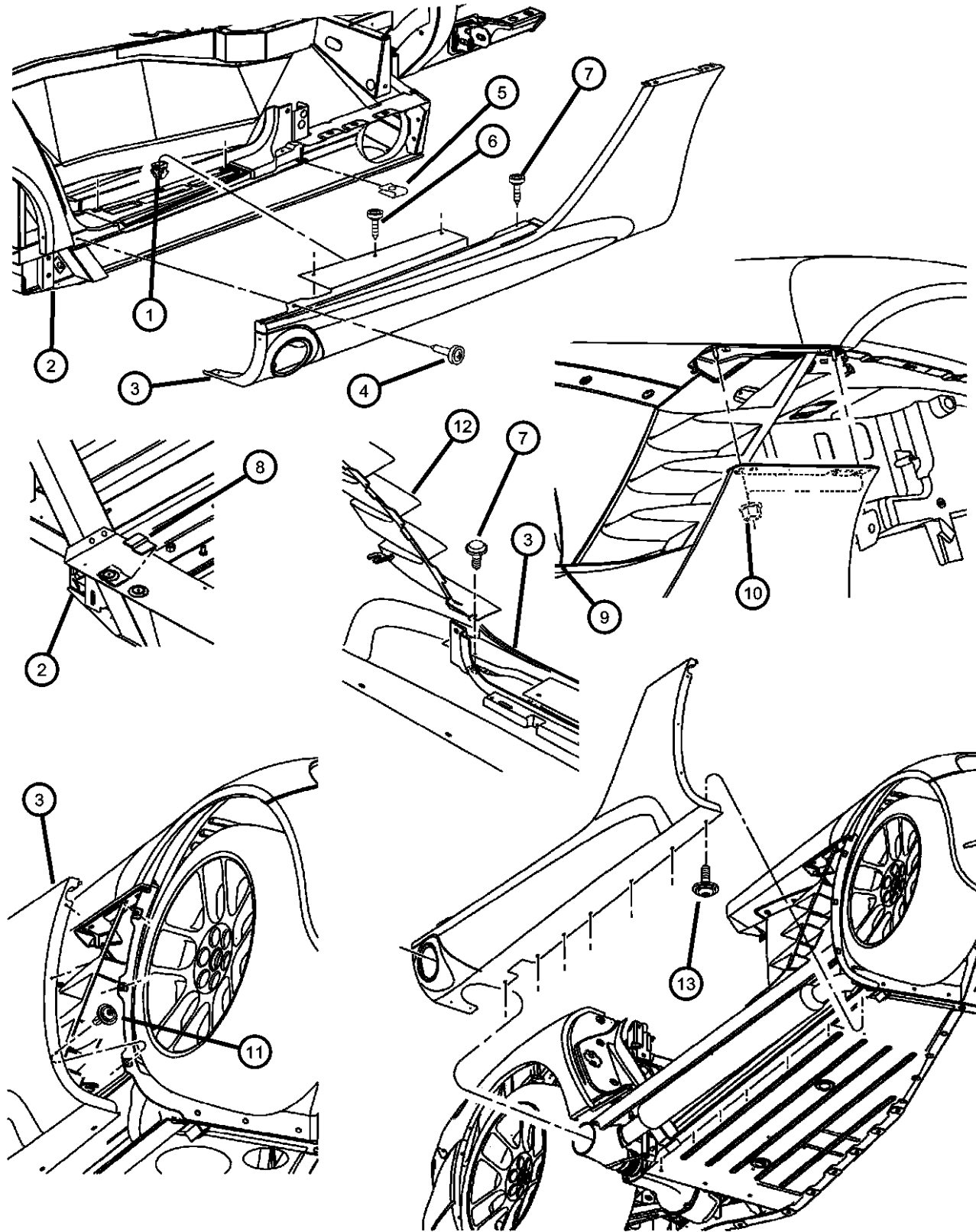
BODY  
27 = 2-DR CONVERTIBLE  
29 = SPECIALTY COUPE

ENGINE  
EWC = Engine - 8.3L V10 SFI  
TRANSMISSION  
DEC = 6 Speed Manual  
DBB = All Manual Transmissions

AR = use ase required - = Non illustrated part

2005 ZB

Panel - Sill Outer  
Figure IZB-225



ITEM	PART NUMBER	QTY	LINE	SERIES	BODY	ENGINE	TRANS	TRIM	DESCRIPTION
------	-------------	-----	------	--------	------	--------	-------	------	-------------

Note: (P.A.R.) = Paint As Required

1	05290331AB	2							WASHER, Flat, [ID 13.07 OD 48.00 THK 3.50], (NOT SERVICED)
2	05290331AB	2							FRAME, Reference, (NOT REQUIRED)
3									PANEL, Sill
	05086368AD	1							Right
	05086369AD	1							Left
4	06501067	2							PIN, Push, M6.3x20.5, Sill To Rear Quarter Panel
5	06501067	2							NUT/SPRING, "U" 1 THD, Barb, For [.164-18] Screw, (NOT SERVICED)
6	06035625	8							SCREW, Sill Door Surround
7	06035625	8							SCREW, [.164-18x.750], (NOT SERVICED)
8									ISOLATOR
	05029718AA	1							Right
	05029719AA	1							Left
9	05029719AA	1							FENDER, Reference, (NOT REQUIRED)
10	06102126AA	4							NUT AND WASHER, Hex, M6x1.0
11	06507453AA	6							BOLT AND RETAINER, M6.35x12.70, Sill Panel to Splash Shield Attaching
12	06507453AA	6							FENDER, Grille - Reference, (NOT REQUIRED)
13	06102132AA	7							SCREW, Hex Head, M6x1x20

VIPER (ZB)

SERIES  
S = SRT-10  
X = Coupe

LINE  
D = DODGE

BODY  
27 = 2-DR CONVERTIBLE  
29 = SPECIALTY COUPE

ENGINE  
EWC = Engine - 8.3L V10 SFI

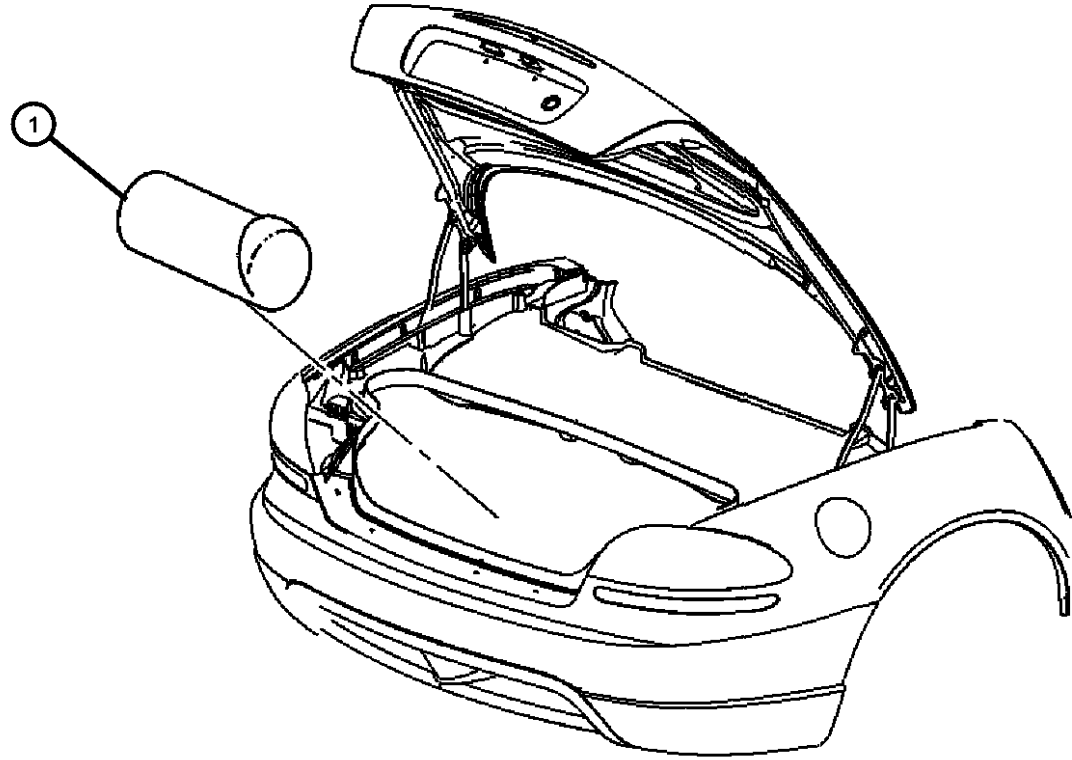
TRANSMISSION  
DEC = 6 Speed Manual  
DBB = All Manual Transmissions

AR = use ase required - = Non illustrated part

2005 ZB

Tonneau Cover  
Figure IZB-230

ITEM	PART NUMBER	QTY	LINE	SERIES	BODY	ENGINE	TRANS	TRIM	DESCRIPTION
1	0WX03DX9AA	1							COVER, Tonneau



VIPER (ZB)

SERIES  
S = SRT-10  
X = Coupe

LINE  
D = DODGE

BODY  
27 = 2-DR CONVERTIBLE  
29 = SPECIALTY COUPE

ENGINE  
EWC = Engine - 8.3L V10 SFI

TRANSMISSION  
DEC = 6 Speed Manual  
DBB = All Manual Transmissions

AR = use ase required - = Non illustrated part

2005 ZB

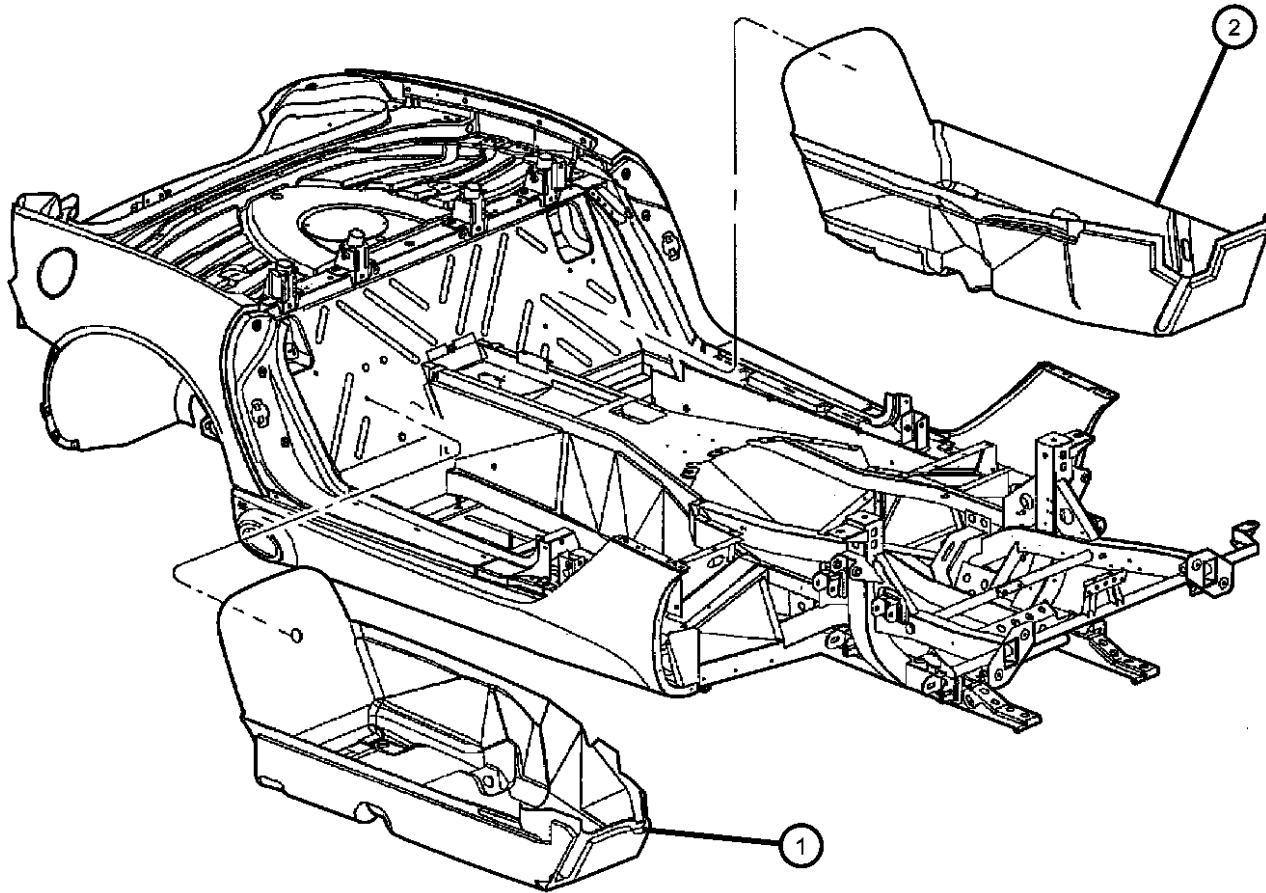
**Carpet Front  
Figure IZB-310**

ITEM	PART NUMBER	QTY	LINE	SERIES	BODY	ENGINE	TRANS	TRIM	DESCRIPTION
------	-------------	-----	------	--------	------	--------	-------	------	-------------

Sales Code

[CLL] = Floor Mats - Luxury

1	0TU02DX9AC	1							*00 CARPET, Front FloorRight
2	0TU03DX9AD	1							*00 CARPET, Front FloorLeft
-3	0TU03DX9AD	1							PAD, Foot Rest, (NOT SERVICED)
-4	05029434AA	3			27				INSULATOR
-5	05029435AA	1							*00 INSULATOR, Floor carpet It
-6									MAT KIT, Floor - Front
	05030134AA	1							With [CLL]
	05030354AA	1							With [ACC]
	05030448AA	1							With [AVH]



**VIPER (ZB)**

SERIES	LINE	BODY	ENGINE	TRANSMISSION
S = SRT-10	D = DODGE	27 = 2-DR CONVERTIBLE	EWC = Engine - 8.3L V10 SFI	DEC = 6 Speed Manual
X = Coupe		29 = SPECIALTY COUPE		DBB = All Manual Transmissions

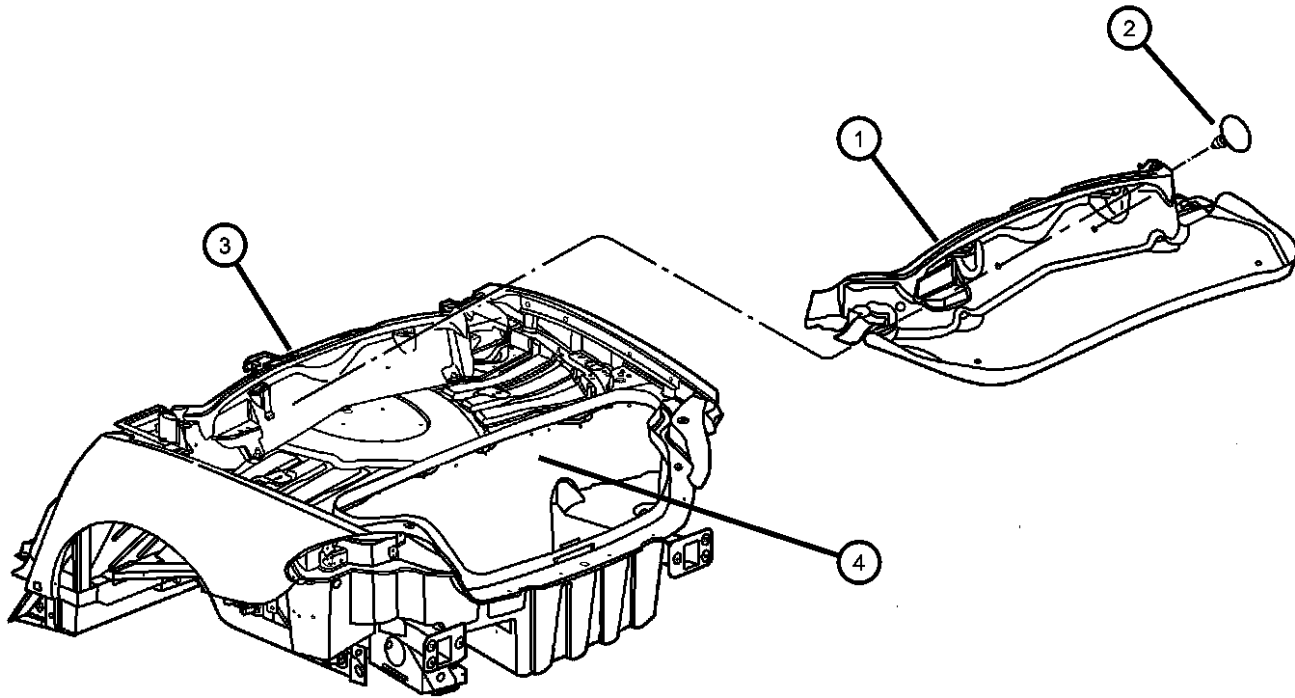
AR = use ase required - = Non illustrated part

2005 ZB



**Carpet Rear - Slingwell**  
**Figure IZB-315**

ITEM	PART NUMBER	QTY	LINE	SERIES	BODY	ENGINE	TRANS	TRIM	DESCRIPTION
1	0TU06VXLAB	1						*00	SLINGWELL, Folding Top, Top Stack Carpet
2	5DV62DX9	4						*00	FASTENER, Trim Panel Attaching, Carpet Attaching
3	5DV62DX9	4							PANEL, Bulkhead Trim Rear, Reference, (NOT SERVICED)
4									TRAY KIT, Cargo - Flexible
	05029825AA	2							Right & Left
	05029835AC	1							Front Wall
	05029836AC	1							Rear Wall
	05029837AB	1							Floor



**VIPER (ZB)**

SERIES  
 S = SRT-10  
 X = Coupe

LINE  
 D = DODGE

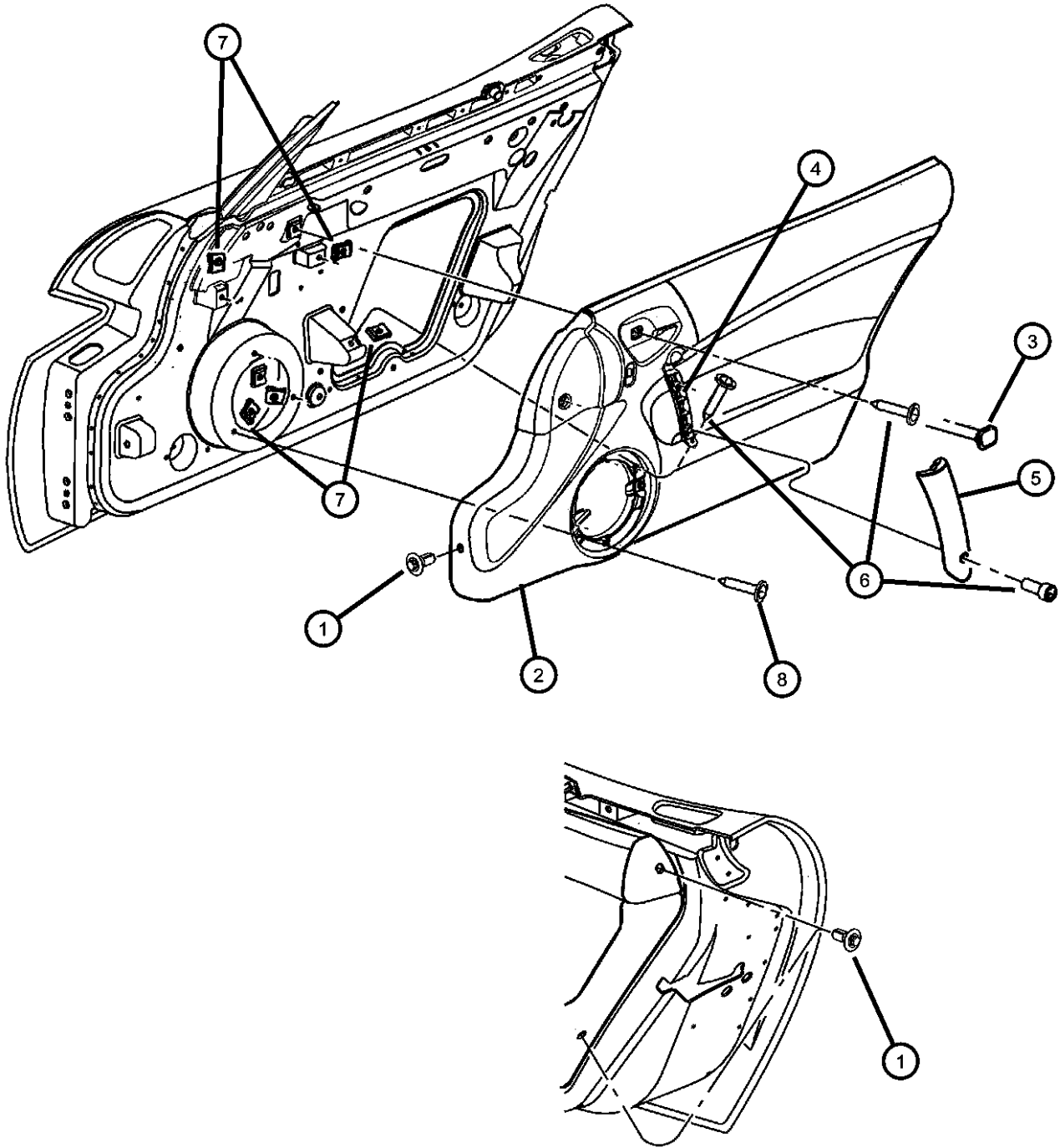
BODY  
 27 = 2-DR CONVERTIBLE  
 29 = SPECIALTY COUPE

ENGINE  
 EWC = Engine - 8.3L V10 SFI

TRANSMISSION  
 DEC = 6 Speed Manual  
 DBB = All Manual Transmissions

AR = use ase required - = Non illustrated part

Door Panel  
Figure IZB-410



ITEM	PART NUMBER	QTY	LINE	SERIES	BODY	ENGINE	TRANS	TRIM	DESCRIPTION
1	5GC71DX9AA	6						*00	FASTENER, Push Pin
2									PANEL, Door Trim Front
	0XC871X9AB	1						*00	[X9], Left
	0XC871XRAB	1						*00	[XR], Left
	0XC921X9AB	1						*00	[X9], Right
	0XC921XRAB	1						*00	[XR], Right
3	0LE82RX9	2						*00	CAP, Pull Cup Screw Cover
4									HANDLE
	05083950AB	1						*00	Right
	05096019AB	1						*00	Left
5									APPLIQUE, Door
	0UA36SZ6AA	1						*00	Right, Grab Handle
	0UA37SZ6AA	1						*00	Left, Grab Handle
6	06036430AA	2							SCREW, Attaching, Grab Handle
7	06036430AA	2							NUT/SPRING, "U" 1 THD, .190-16, (NOT SERVICED)
8	00153754	14							SCREW, .190-16x1.00, Door Panel Attaching
-9	05083940AA	1						*00	BRACKET, Speaker

VIPER (ZB)

SERIES  
S = SRT-10  
X = Coupe

LINE  
D = DODGE

BODY  
27 = 2-DR CONVERTIBLE  
29 = SPECIALTY COUPE

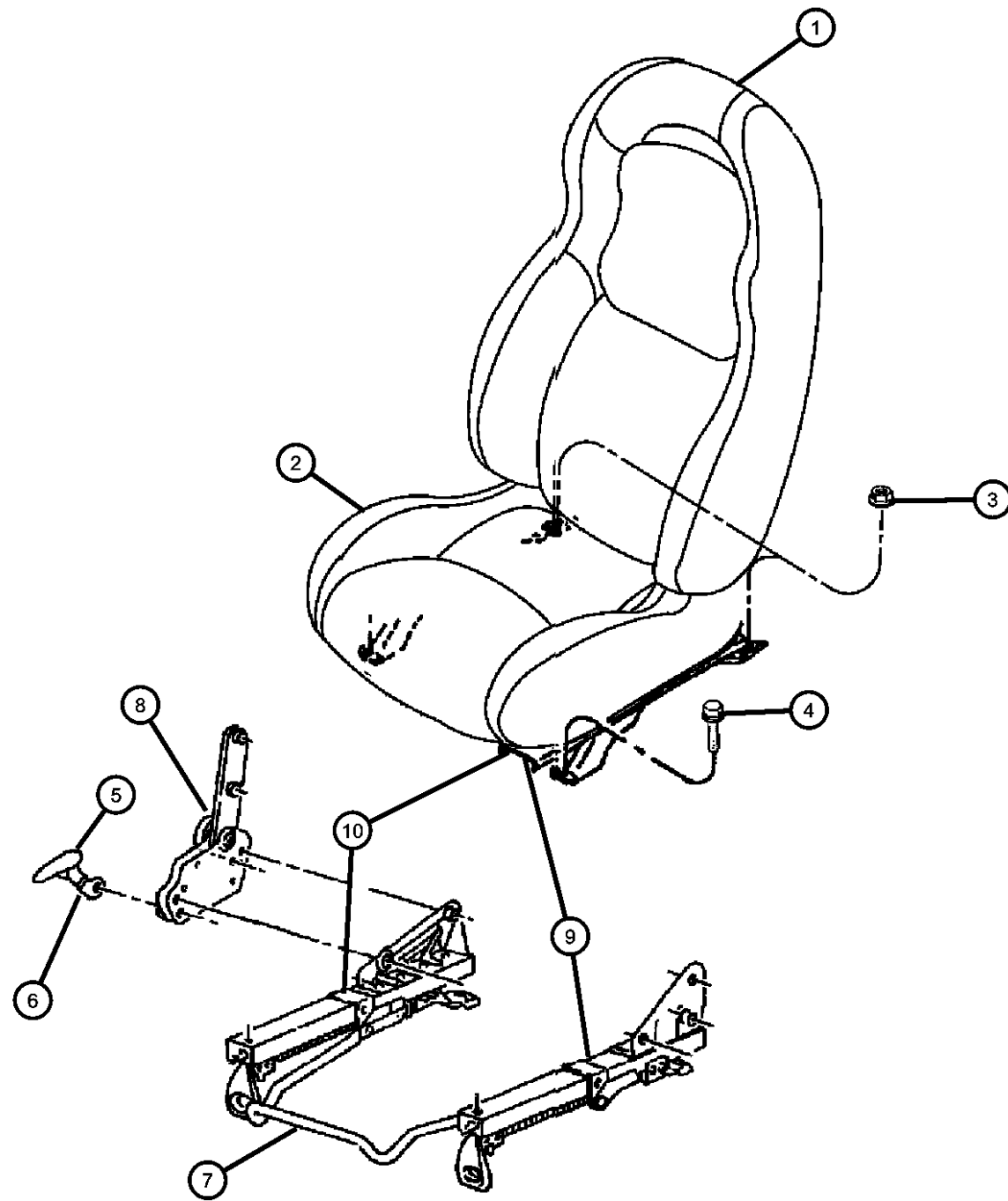
ENGINE  
EWC = Engine - 8.3L V10 SFI

TRANSMISSION  
DEC = 6 Speed Manual  
DBB = All Manual Transmissions

AR = use ase required - = Non illustrated part

2005 ZB

Seat, Front  
Figure IZB-510



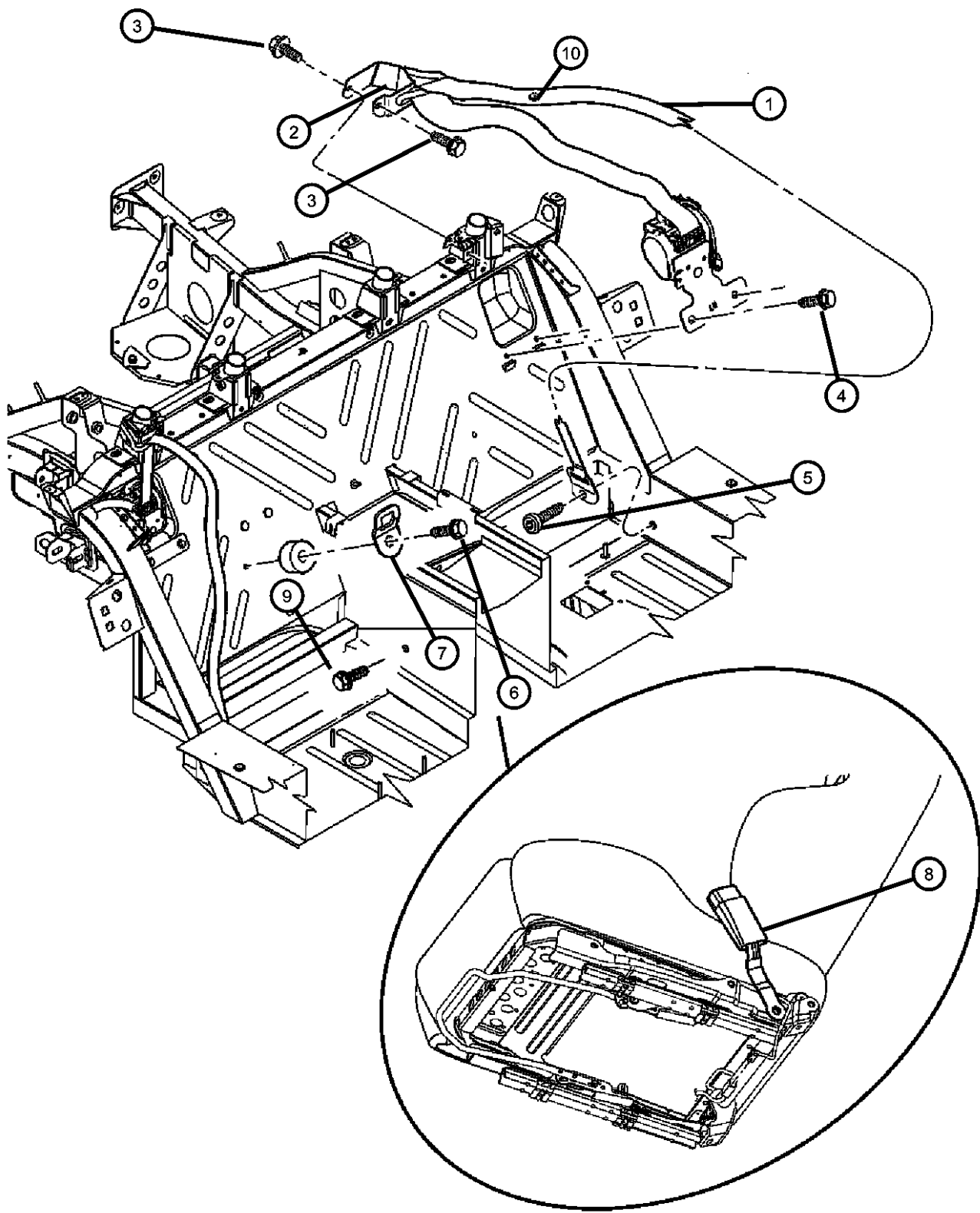
ITEM	PART NUMBER	QTY	LINE	SERIES	BODY	ENGINE	TRANS	TRIM	DESCRIPTION
1	0XD051V5AA	1						*YL	SEAT BACK, Front
	0XD051X9AA	1						*CL	[X9], Right & Left
	0XD051XRAA	1						*CL	[XR], Right & Left
	0XD051Y3AA	1						*DZ	[X9], Right & Left
2	0XD011V5AA	1						*YL	CUSHION, Front Seat
	0XD011X9AA	1						*CL	[X9], Left
	0XD011XRAA	1						*CL	[XR], Left
	0XD011Y3AA	1						*DZ	[X9], Left
	0XD021V5AA	1						*YL	[X9], Right
	0XD021X9AA	1						*CL	[X9], Right
	0XD021XRAA	1						*CL	[XR], Right
	0XD021Y3AA	1						*DZ	[X9], Right
3	06101761	4							NUT, Coned Washer, M10 x 1.50
4	06503675	4							SCREW AND WASHER, Hex Head, M10x1.5x40
5	05018530AA	1						*CL	HANDLE, FOLD FLAT
		1						*YL	Passenger
6	05018529AA	1						*CL	HANDLE, ReclinerDriver
7	05093210AA	1						*CL	TOWEL BAR, Seat Adjuster HandleRight And Left
8	05093212AA	1						*CL	RECLINER, Seat Back
		1						*YL	Right, Outboard
	05093213AA	1						*CL	, Outboard
	05093214AA	1						*CL	Right, Inboard
	05093215AA	1						*CL	Left, Inboard
9	05136013AA	1						*CL	TRACK ASSY, TRACK ASSY-LH
		1						*DZ	
		1						*YL	
10	05136014AA	1						*CL	TRACK ASSY, TRACK ASSY-RH
		1						*DZ	
		1						*YL	

VIPER (ZB)

SERIES	LINE	BODY	ENGINE	TRANSMISSION
S = SRT-10	D = DODGE	27 = 2-DR CONVERTIBLE	EWC = Engine - 8.3L V10 SFI	DEC = 6 Speed Manual
X = Coupe		29 = SPECIALTY COUPE		DBB = All Manual Transmissions

AR = use ase required - = Non illustrated part

**Belts - Front**  
**Figure IZB-710**



ITEM	PART NUMBER	QTY	LINE	SERIES	BODY	ENGINE	TRANS	TRIM	DESCRIPTION
1	0UB651X9AF	1						*O0	SEAT BELT, Front Left
	1BD961X9AA	1						*O0	Right
2	05029126AC	1							TURNING LOOP, Seat Belt Right
	05029127AC	1							Left
3	06101758	4							SCREW, Hex Head, M8x1.25x20Turn Loop Attachment Front
4	06503571	4							SCREW AND WASHER, M10x1.50x35
5	06036512AA	2							SCREW, Pan Head, .437-20x1.375, To Frame Tunnel, Seat Belt
6	06100583	1							SCREW AND WASHER, Hex Head, M8x1.25x25
7	05029290AA	1							PLATE, Child Tether Anchor
8	0TQ881X9AC	1						*CL	SEAT BELT, Buckle Half [X9]
		1						*CL	[XR]
		1						*DZ	[X9]
9	06036547AA	2							SCREW
10	05093280AB	1			27			*O0	BUTTON, BELT WEBBING

**VIPER (ZB)**

SERIES  
S = SRT-10  
X = Coupe

LINE  
D = DODGE

BODY  
27 = 2-DR CONVERTIBLE  
29 = SPECIALTY COUPE

ENGINE  
EWC = Engine - 8.3L V10 SFI

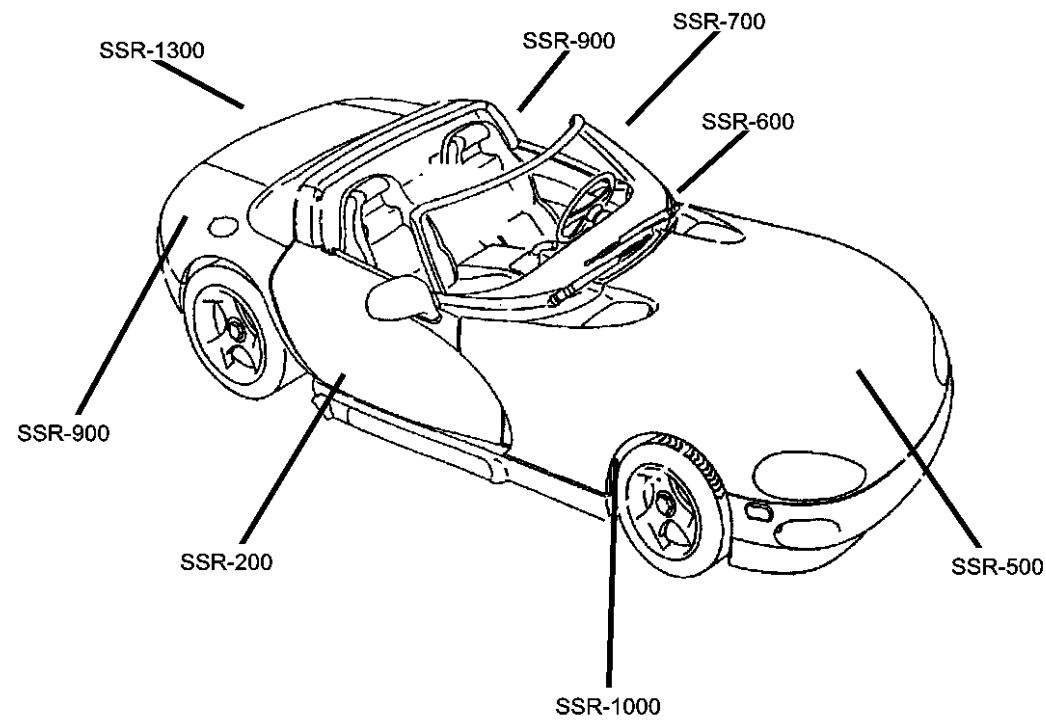
TRANSMISSION  
DEC = 6 Speed Manual  
DBB = All Manual Transmissions

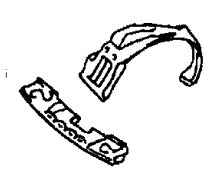
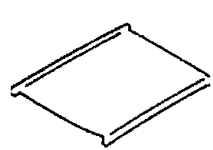
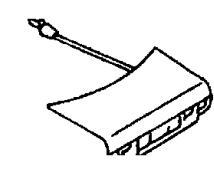
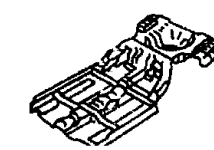
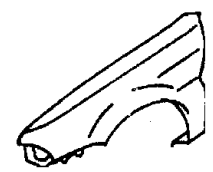
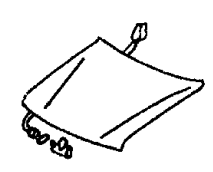
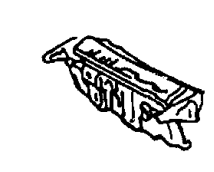

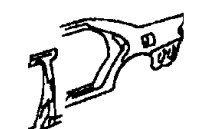
AR = use ase required - = Non illustrated part

2005 ZB

# Group - SZB

## Body Sheet Metal Except Doors



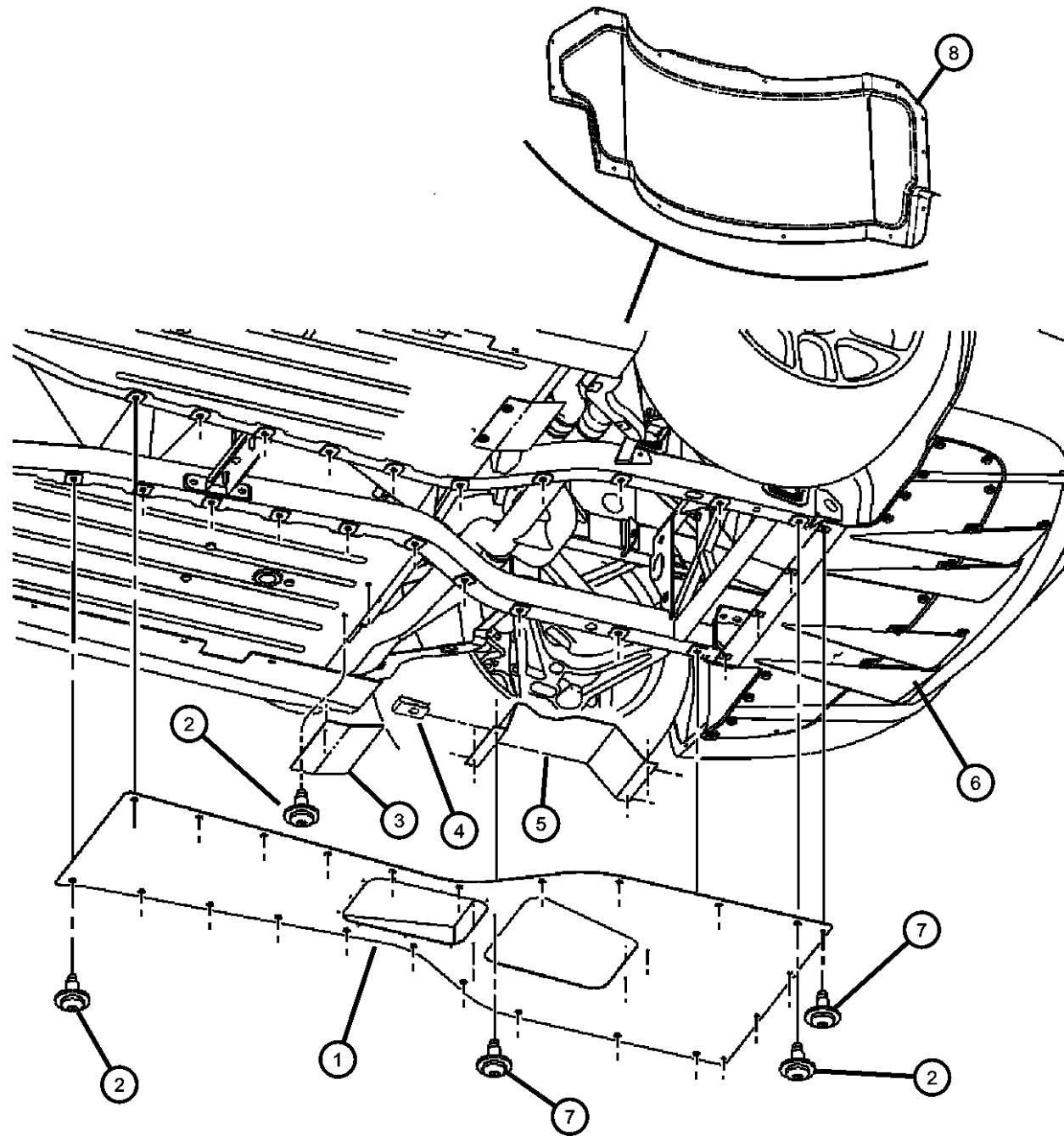
<b>SZB-1000</b> Splash Shields 	<b>SZB-1100</b> Roof - Hard & Folding Top 	<b>SZB-1300</b> Deck Lid 	<b>SZB-200</b> Floor Pan 
<b>SZB-400</b> Fender 	<b>SZB-500</b> Hood & Hood Release 	<b>SZB-600</b> Cowl and Dash Panel 	<b>SZB-700</b> Glass, Windshield, Backlite, Mirror 
<b>SZB-900</b> Quarter Panel 			

---

## Group - SZB Body Sheet Metal Except Doors

Illustration Title	Group-Fig. No.
<b>Floor Pan</b>	
Floor Pan .....	Fig. SZB - 205
Floor Pan - Sport Hoop Mounting .....	Fig. SZB - 210
Floor Pan - Attaching Parts .....	Fig. SZB - 215
Pan - Trunk .....	Fig. SZB - 220
<b>Fender</b>	
Front Fender & Attaching Parts .....	Fig. SZB - 405
Front Fender .....	Fig. SZB - 410
Fender Shield .....	Fig. SZB - 420
Shields - Splash .....	Fig. SZB - 425
Loose Panels .....	Fig. SZB - 430
<b>Hood &amp; Hood Release</b>	
Hood .....	Fig. SZB - 510
Hood Silencer .....	Fig. SZB - 515
Hood Sealer .....	Fig. SZB - 520
<b>Cowl and Dash Panel</b>	
Dash Panel .....	Fig. SZB - 610
Cowl Panel .....	Fig. SZB - 615
<b>Glass, Windshield, Backlite, Mirror</b>	
Panel - Windshield Surround .....	Fig. SZB - 705
Glass Windshield, Frame And Mirror (Convertible) .....	Fig. SZB - 710
<b>Quarter Panel</b>	
Quarter Panel - Rear .....	Fig. SZB - 910
Panel - Tail Lamp .....	Fig. SZB - 920
Loose Panels .....	Fig. SZB - 930
<b>Splash Shields</b>	
Weatherstrips .....	Fig. SZB - 1010
Shields - Rear Wheelhouse .....	Fig. SZB - 1020
<b>Roof - Hard &amp; Folding Top</b>	
Folding Top .....	Fig. SZB - 1110
Folding Top - Attaching Parts .....	Fig. SZB - 1115
<b>Deck Lid</b>	
Deck Lid .....	Fig. SZB - 1320
Fuel Filler Door .....	Fig. SZB - 1330

Floor Pan  
Figure SZB-205



ITEM	PART NUMBER	QTY	LINE	SERIES	BODY	ENGINE	TRANS	TRIM	DESCRIPTION
1	05290078AE	1							BELLY PAN, Rear
2	06505070AA	20							SCREW, Pan Head, Rear Belly Pan To Frame
3	05290221AB	2							EXTENSION, Floor Pan
4	00152493	4							NUT, Heat Shield to Rear Pan
5	05290247AA	1							SHIELD, Heat
6	05290137AD	1							BELLY PAN, Extension Rear
7	06035625	4							SCREW, [.190-16x.750]
8	05136832AA	1							PANEL, Fuel Tank Close Out, Service Repair Panel

VIPER (ZB)

SERIES  
S = SRT-10  
X = Coupe

LINE  
D = DODGE

BODY  
27 = 2-DR CONVERTIBLE  
29 = SPECIALTY COUPE

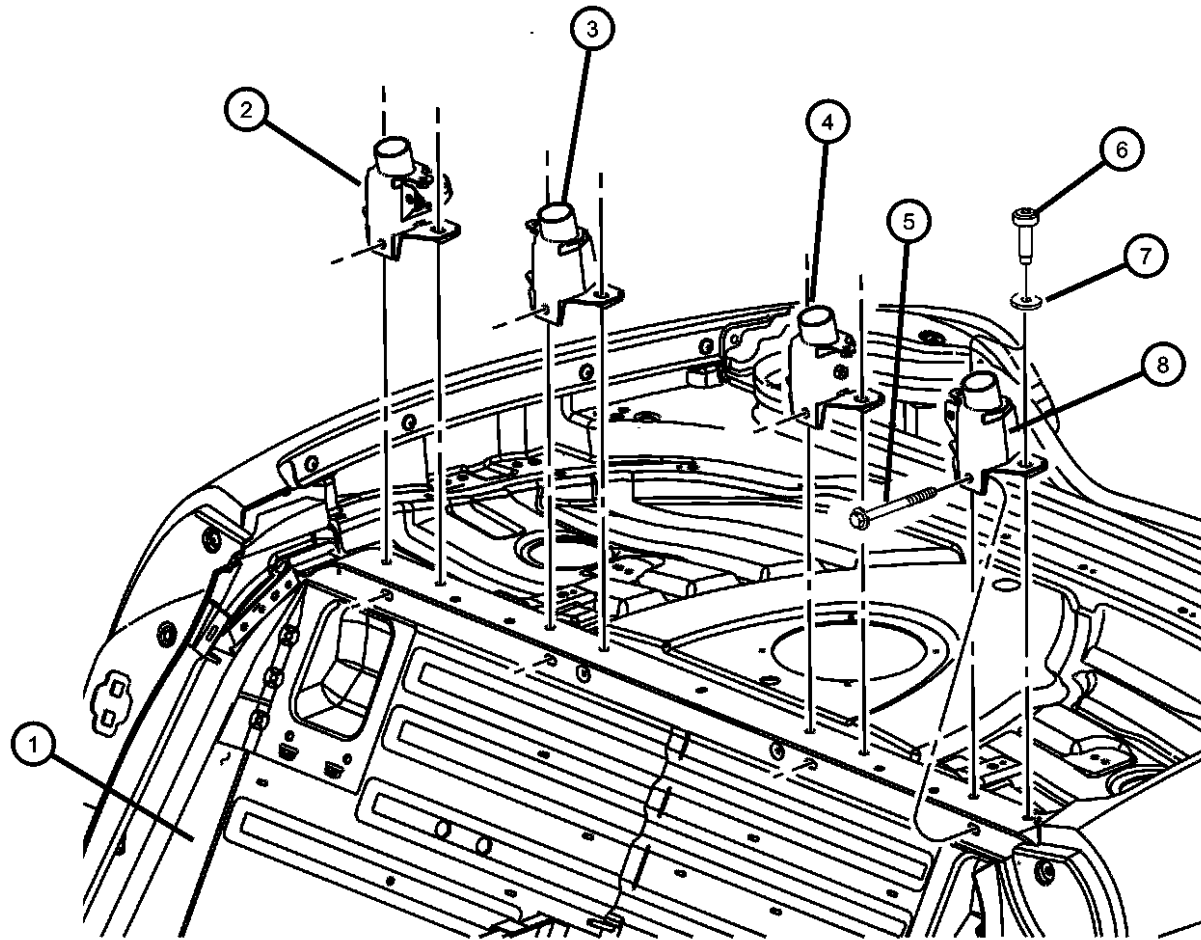
ENGINE  
EWC = Engine - 8.3L V10 SFI

TRANSMISSION  
DEC = 6 Speed Manual  
DBB = All Manual Transmissions

AR = use ase required - = Non illustrated part

2005 ZB

**Floor Pan - Sport Hoop Mounting  
Figure SZB-210**



ITEM	PART NUMBER	QTY	LINE	SERIES	BODY	ENGINE	TRANS	TRIM	DESCRIPTION
1	05136832AA	1							FRAME, Reference, (NOT REQUIRED)
2	05290108AA	1							BRACKET, Sport Hoop MountingRight, Outer
3	05290048AA	1							BRACKET, Sport Hoop MountingRight, Inner
4	05290049AA	1							BRACKET, Sport Hoop MountingLeft, Inner
5	06102122AA	4							BOLT
6	06034383	8							SCREW, Pan Head, .437-20x1.5
7	06506890AA	2							WASHER, Flat
8	05290109AA	1							BRACKET, Sport Hoop MountingLeft, Outer

**VIPER (ZB)**

SERIES  
S = SRT-10  
X = Coupe

LINE  
D = DODGE

BODY  
27 = 2-DR CONVERTIBLE  
29 = SPECIALTY COUPE

ENGINE  
EWC = Engine - 8.3L V10 SFI

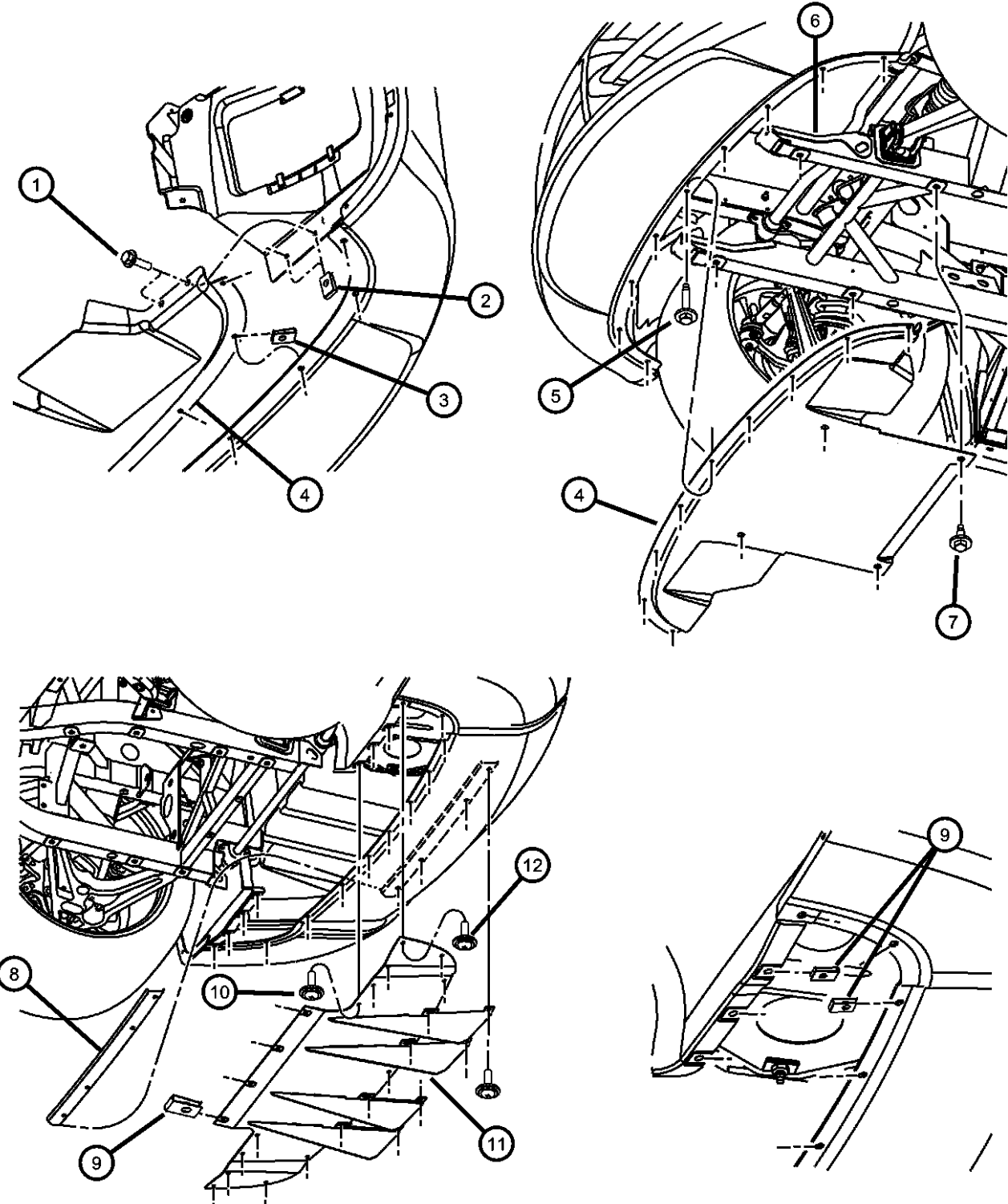
TRANSMISSION  
DEC = 6 Speed Manual  
DBB = All Manual Transmissions

AR = use ase required - = Non illustrated part

2005 ZB



**Floor Pan - Attaching Parts  
Figure SZB-215**



ITEM	PART NUMBER	QTY	LINE	SERIES	BODY	ENGINE	TRANS	TRIM	DESCRIPTION
1	06035625	4							SCREW, [.190-16x.750], Front Extension to Headlamp Bracket
2	06504118	8							U-NUT, M6 x 1.00, M6x1.00
3	00152493	9							NUT, To Fascia, Front, Extension
4	05290136AD	1							BELLY PAN, Extension Front
5	06035625	9							SCREW, [.190-16x.750]
6	06035625	9							FRAME, Reference, (NOT REQUIRED)
7	06505070AA	4							SCREW, Pan Head, Front Belly Pan Extension To Frame
8	05290246AB	1							PLATE, Fascia
9	00152493	4							NUT, Belly Pan to Rear Extension, Rear
10	06035625	6							SCREW, [.190-16x.750]
11	05290137AD	1							BELLY PAN, Extension Rear
12	06035625	11							SCREW, [.190-16x.750]
-13	05029233AA	2							REINFORCEMENT, Trunk Pan

**VIPER (ZB)**

SERIES

S = SRT-10  
X = Coupe

LINE

D = DODGE

BODY

27 = 2-DR CONVERTIBLE  
29 = SPECIALTY COUPE

ENGINE

EWC = Engine - 8.3L V10 SFI

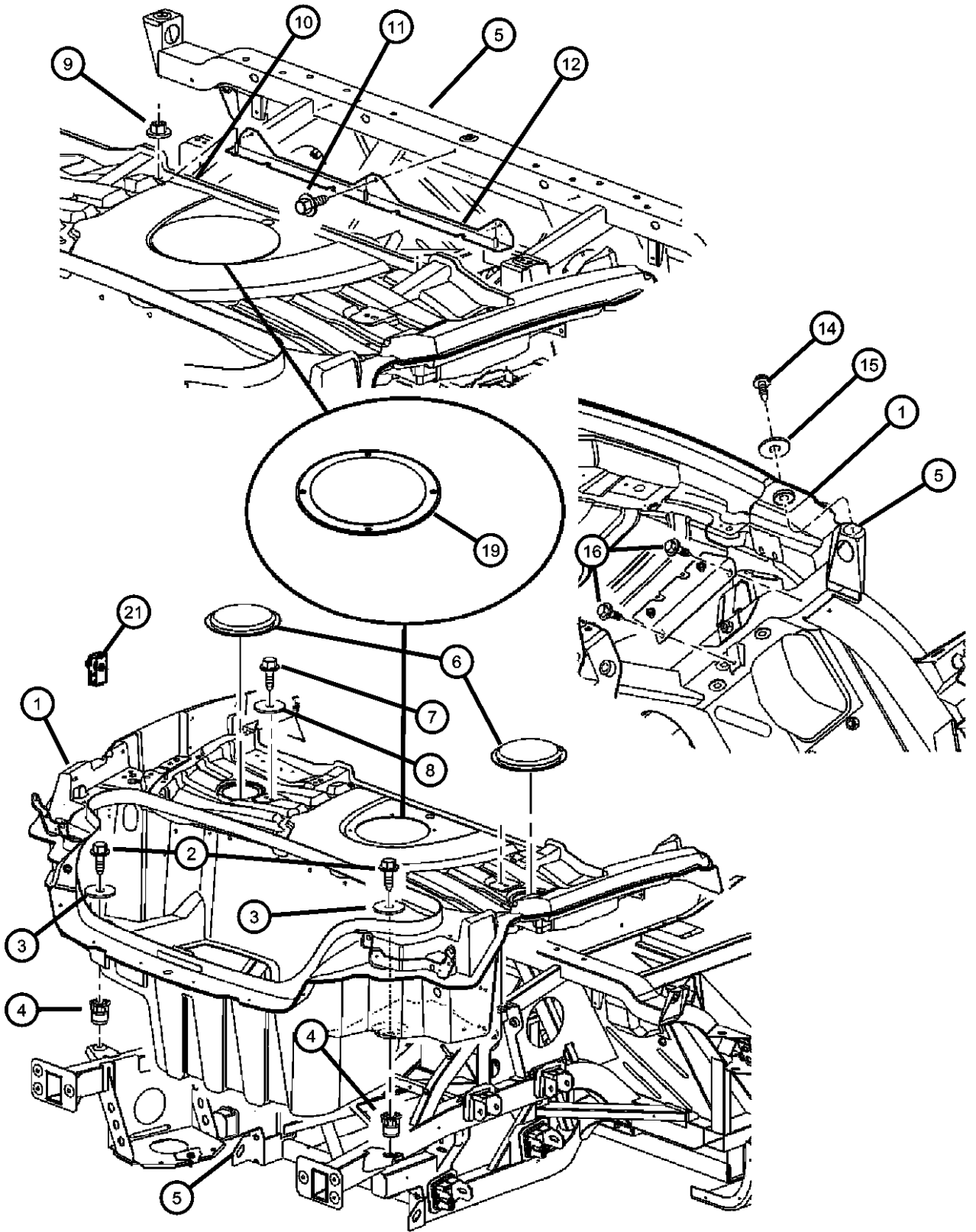
TRANSMISSION

DEC = 6 Speed Manual  
DBB = All Manual Transmissions

AR = use ase required - = Non illustrated part

2005 ZB

**Pan - Trunk  
Figure SZB-220**



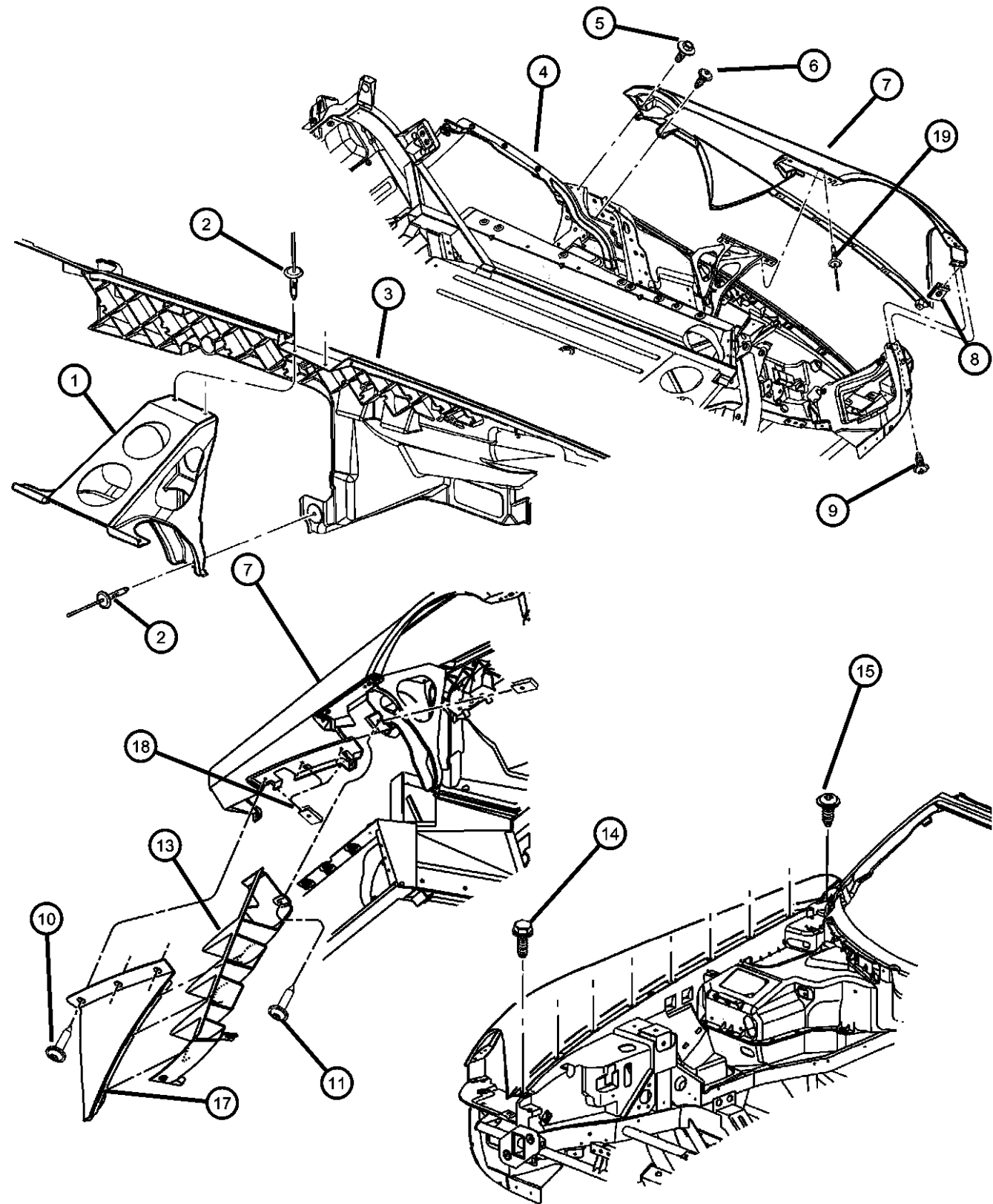
ITEM	PART NUMBER	QTY	LINE	SERIES	BODY	ENGINE	TRANS	TRIM	DESCRIPTION
Note: S.D.P.= Service Dealer Paint									
1	04865472AD	1							PAN, Trunk Primed
2	04865472AD	1							SCREW AND WASHER, [M8x1.25x30.00], (NOT SERVICED)
3	04865472AD	1							WASHER, [ID13.07 OD48.00 THK 3.50], (NOT SERVICED)
4	04865472AD	1							NUT/RIVET, [M8x1.25x17.78], (NOT SERVICED)
5	04865472AD	1							FRAME, Reference, (NOT REQUIRED)
6	04708057	2							PLUG, Trunk Seal, Shock Service Plug
7	04708057	2							SCREW, [M8x1.25x25.00], (NOT SERVICED)
8	04708057	2							WASHER, [ID13.07 OD48.00 THK 3.50], (NOT SERVICED)
9	34201358	3							NUT AND WASHER, Hex Nut-Sealing Washer, M6 x 1.00
10	34201358	3							SEAL, Serviced With Item 1, (NOT SERVICED)
11	06102132AA	7							SCREW, Hex Head, M6x1x20, Trunk Pan To Frame Crossmember
12	04865772AA	1							BRACKET, Trunk Pan To Frame C/Member
-13	05029519AA	2							ISOLATOR, FOAM, Trunk Pan to Frame Crossmember
14	06102132AA	2							SCREW, Hex Head, M6x1x20, Trunk Pan To Outboard Frame Bracket
15	06102132AA	2							WASHER, Flat, [ID M11.12 OD 28.00 THK 2.80], (NOT SERVICED)
16	06102132AA	7							SCREW, Hex Head, M6x1x20
-17	05029441AA	2							SEAL, Quarter Panel to TrunkpanFront
-18	05029442AA	4							SEAL, Quarter Panel to TrunkpanRear
19	05029239AA	1							PANEL, Fuel Access, Trunk
-20									BRACKET, Tail Lamp
	05029120AA	1							Right
	05029121AA	1							Left
21	06101956	4				27			NUT, U, M6x1.00, Battery Cover to Trunk Pan

**VIPER (ZB)**

SERIES	LINE	BODY	ENGINE	TRANSMISSION
S = SRT-10	D = DODGE	27 = 2-DR CONVERTIBLE	EWC = Engine - 8.3L V10 SFI	DEC = 6 Speed Manual
X = Coupe		29 = SPECIALTY COUPE		DBB = All Manual Transmissions

AR = use ase required - = Non illustrated part

**Front Fender & Attaching Parts  
Figure SZB-405**



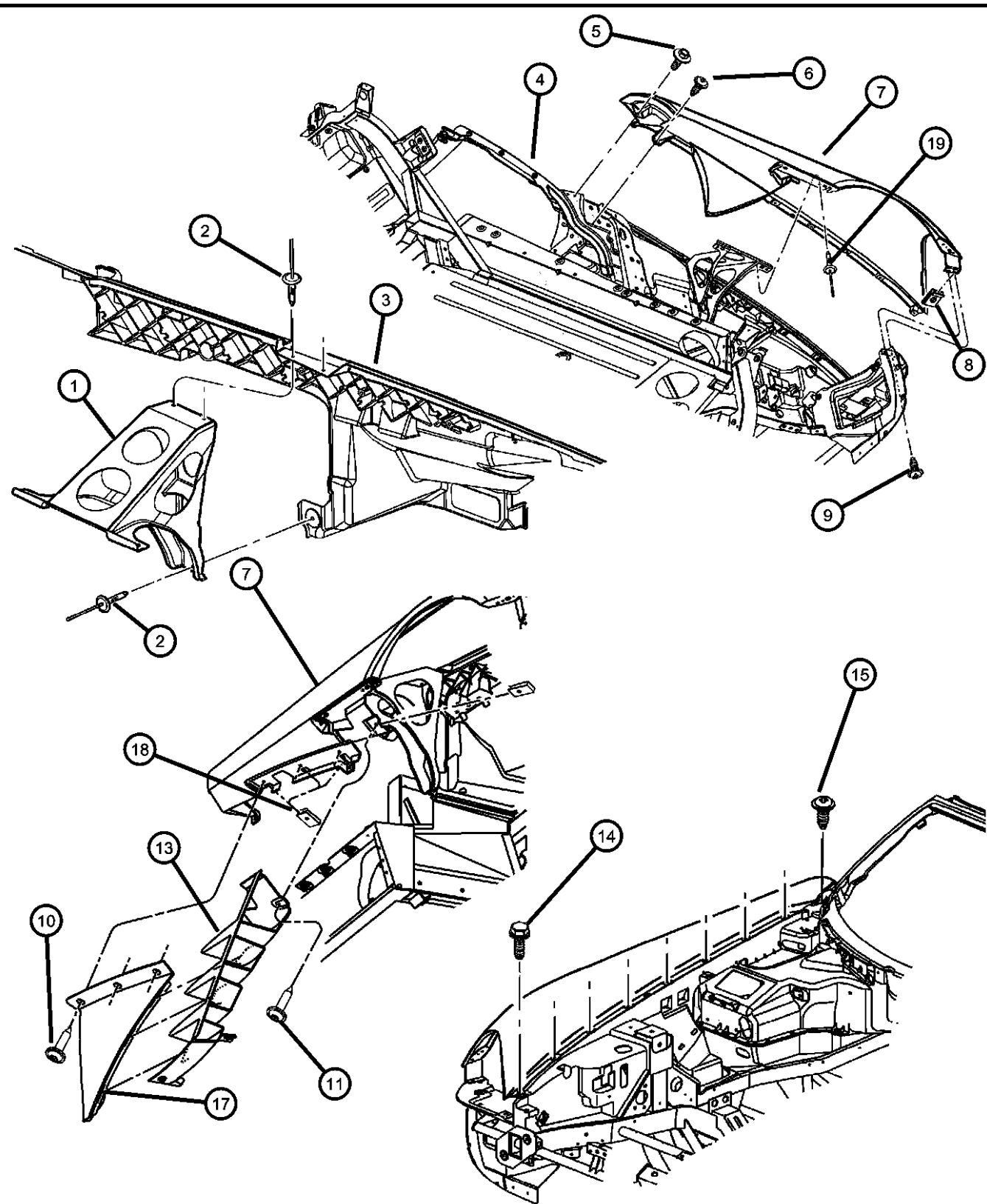
ITEM	PART NUMBER	QTY	LINE	SERIES	BODY	ENGINE	TRANS	TRIM	DESCRIPTION
Note: [P.A.R.] = Paint As Required									
1	04865830AB	2							BRACKET, Sill To FenderRight & Left
2	06034645	6							RIVET, .25 Grip-.06-.25
3									SUPPORT, Fender
	04865636AD	1							Right
	04865637AD	1							Left
4	0TP57RXFAE	1							FRAME, Windshield Surround
5	06507167AA	2							SCREW, [M5x0.8x28.0]Fender To Sill, Reinforcement
6	06507167AA	2							SCREW, .190-16x.500, (NOT SERVICED)
7									FENDER, Front
	05029102AE	1							Right
	05029103AE	1							Left
8	06504118	8							U-NUT, M6 x 1.00, M6x1.00
9	06035625	2							SCREW, [.190-16x.750], Fender to Headlamp Extension Attaching
10	06036568AA	6							SCREW, [.164-18x.780]
11	06036568AA	6							SCREW, [.164-18x.780]
-12	05029830AA	2							BRACKET, Grille
13									GRILLE, Fender
	05029276AC	1							Right
	05029277AC	1							Left
14	06507167AA	16							SCREW, Fender to Sill Reinforcement
15	06507167AA	16							SCREW, Tapping, .164-18x.625, Fender Support Attaching at Cowl, (NOT SERVICED)
-16	06507769AA	2							STUD, 1 End, M5x0.80x20.00
17									COVER, Hinge
	05029244AA	1							Right
	05029245AA	1							Left
18	05029245AA	1							STUD, 2-End [.190-24x.875], (NOT SERVICED)
19	05029245AA	1							RIVET, Blind, Three Leg, [.187], (NOT SERVICED)
-20									SHIM
	05029489AA	AR							Headlamp to Fender 1.5MM
	05029490AA	AR							Headlamp to Fender 2.5MM
-21									SHIM, Fender

**VIPER (ZB)**

SERIES	LINE	BODY	ENGINE	TRANSMISSION
S = SRT-10	D = DODGE	27 = 2-DR CONVERTIBLE	EWC = Engine - 8.3L V10 SFI	DEC = 6 Speed Manual
X = Coupe		29 = SPECIALTY COUPE		DBB = All Manual Transmissions

AR = use ase required - = Non illustrated part

Front Fender & Attaching Parts  
Figure SZB-405



ITEM	PART NUMBER	QTY	LINE	SERIES	BODY	ENGINE	TRANS	TRIM	DESCRIPTION
------	-------------	-----	------	--------	------	--------	-------	------	-------------

	05290512AA	AR							Rear O Fender to Door 1.00MM
	05290513AA	AR							Rear O Fender to Door 1.5MM

VIPER (ZB)		BODY		ENGINE		TRANSMISSION	
SERIES	LINE						
S = SRT-10	D = DODGE	27 = 2-DR CONVERTIBLE		EWC = Engine - 8.3L V10 SFI		DEC = 6 Speed Manual	
X = Coupe		29 = SPECIALTY COUPE				DBB = All Manual Transmissions	

AR = use ase required - = Non illustrated part

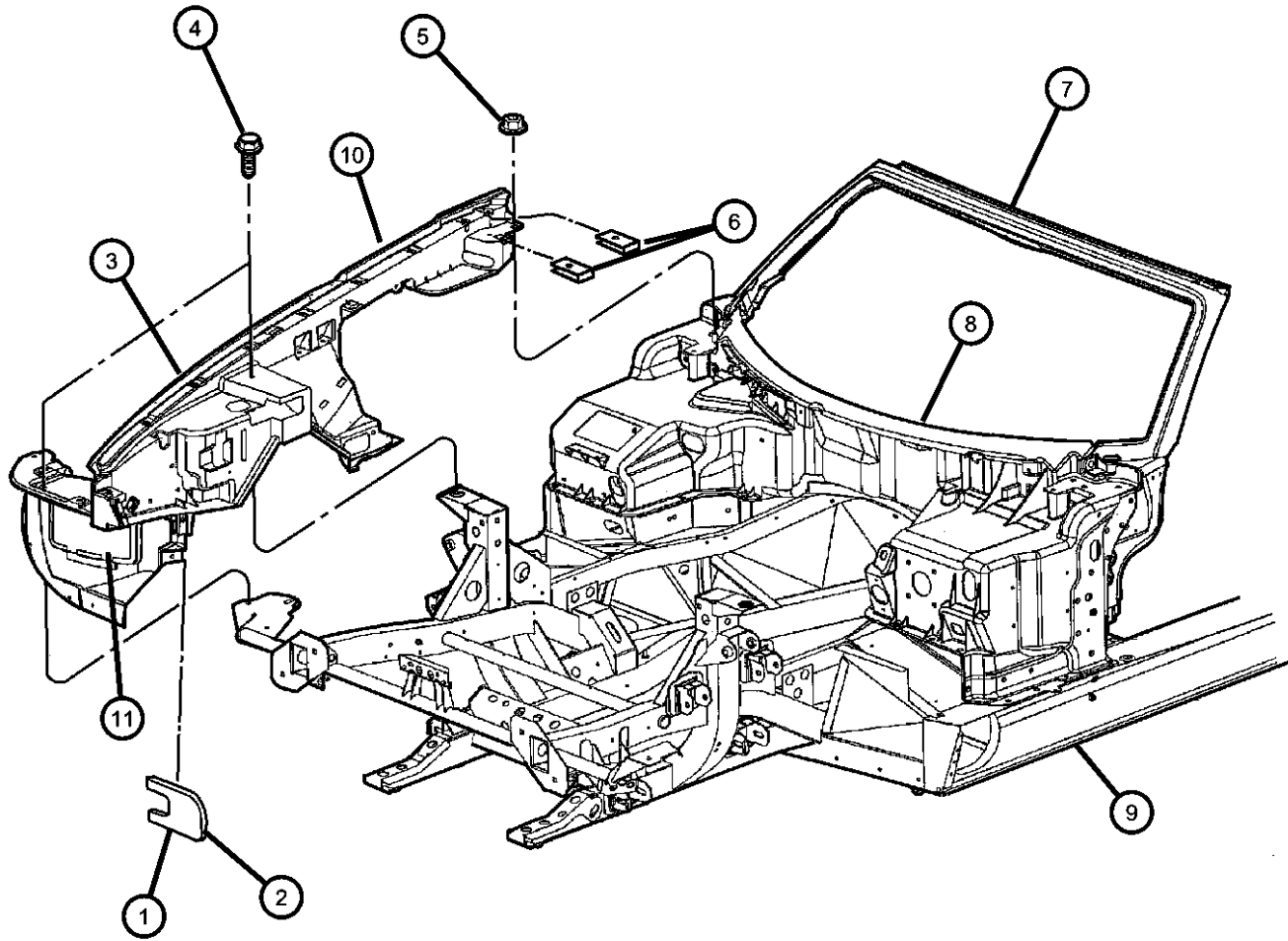
**Front Fender  
Figure SZB-410**

ITEM	PART NUMBER	QTY	LINE	SERIES	BODY	ENGINE	TRANS	TRIM	DESCRIPTION
------	-------------	-----	------	--------	------	--------	-------	------	-------------

Note:

[SDP] = Service Dealer Paint

1	35022112	AR							SPACER, Fender, 1.5
2	35022111	AR							SPACER, Fender, 1.0
3									SUPPORT, Fender
	04865636AD	1							Right
	04865637AD	1							Left
4	04865637AD	1							SCREW, Tapping, M8x20, (NOT SERVICED)
5	06101809	3							NUT AND WASHER, Hex, M8x1.25
6	06101809	3							NUT/SPRING, Snap In, .164-18, (NOT SERVICED)
7	0TP57RXFAE	1							FRAME, Windshield Surround
8	04865495AC	1			27				PANEL, Dash
9	04865495AC	1							FRAME, Reference, (NOT SERVICED)
10									FENDER, Front
	05029102AE	1							Right
	05029103AE	1							Left
11	04865822AA	1							PANEL, Fog Lamp, Access



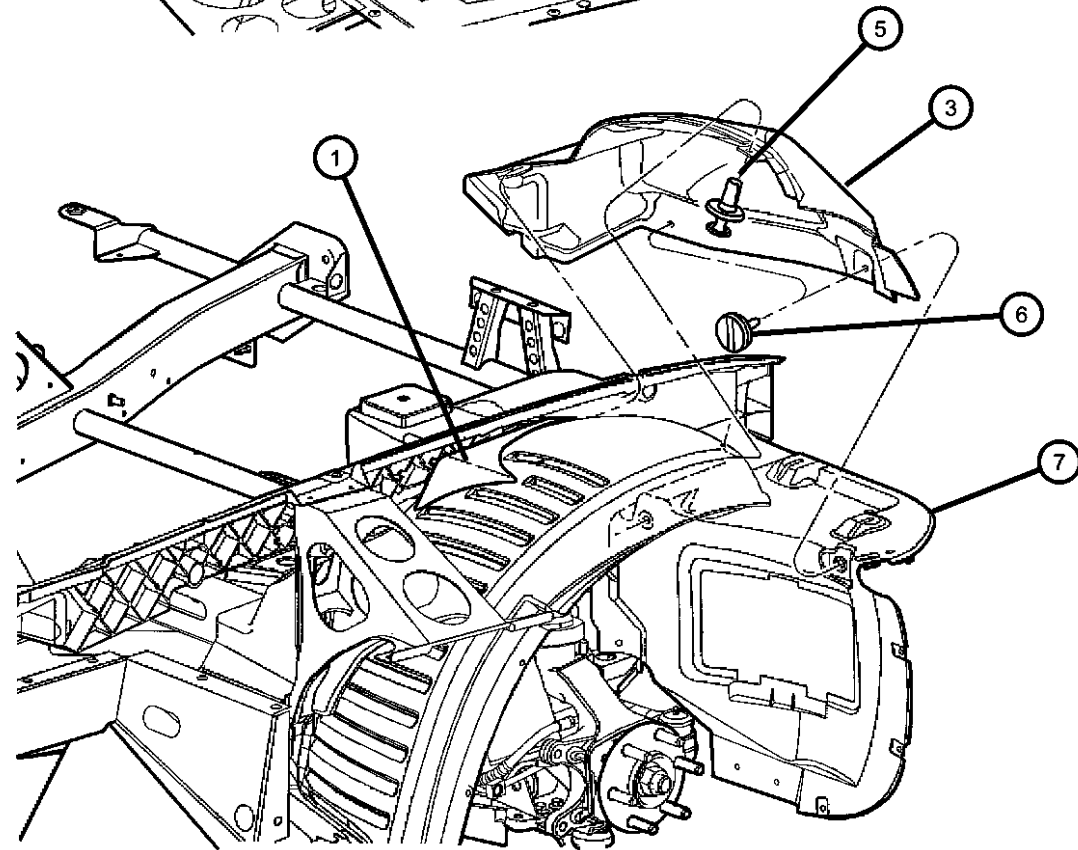
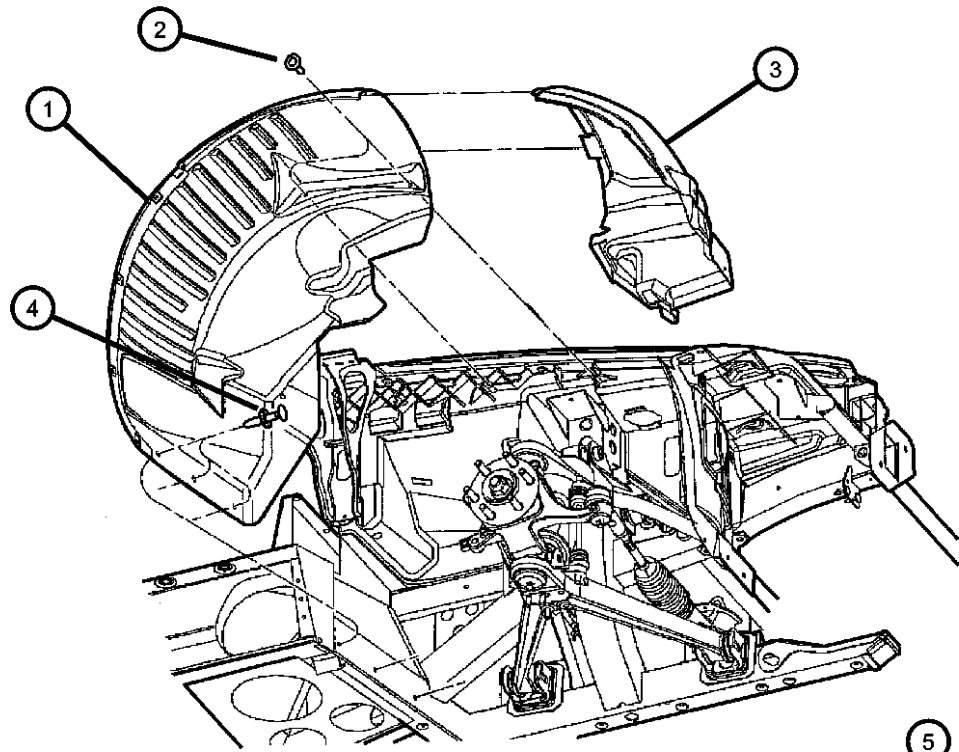
**VIPER (ZB)**

SERIES	LINE	BODY	ENGINE	TRANSMISSION
S = SRT-10	D = DODGE	27 = 2-DR CONVERTIBLE	EWC = Engine - 8.3L V10 SFI	DEC = 6 Speed Manual
X = Coupe		29 = SPECIALTY COUPE		DBB = All Manual Transmissions

AR = use ase required - = Non illustrated part

2005 ZB

Fender Shield  
Figure SZB-420



ITEM	PART NUMBER	QTY	LINE	SERIES	BODY	ENGINE	TRANS	TRIM	DESCRIPTION
1	04865490AC	1							SHIELD, Splash Right, Front Fender
	04865491AC	1							Left, Front Fender
2	06102050AA	4							SCREW, Hex Flange Head, M6.3 x 1.81 x 15.00
3	04865724AB	1							SHIELD, Splash Splash Front Extension, Right
	04865725AB	1							Splash Front Extension, Left
4	06504521	6							PIN, Push, To Frame Attaching, Splash Shield
5	06507453AA	4							BOLT AND RETAINER, M6.35x12.70, Spash Extension to Shield
6	04708180	4							SCREW, Splash Shield, Attaching, Front
7	04708180	4							FRAME, For Part Number See ILL 410 Item-3, (NOT REQUIRED)
-8	05029614AA	2							SHIELD, Splash, Goes Front of the Front Splash Shield (3x11 inches) Act as Air Dam

VIPER (ZB)

SERIES  
S = SRT-10  
X = Coupe

LINE  
D = DODGE

BODY  
27 = 2-DR CONVERTIBLE  
29 = SPECIALTY COUPE

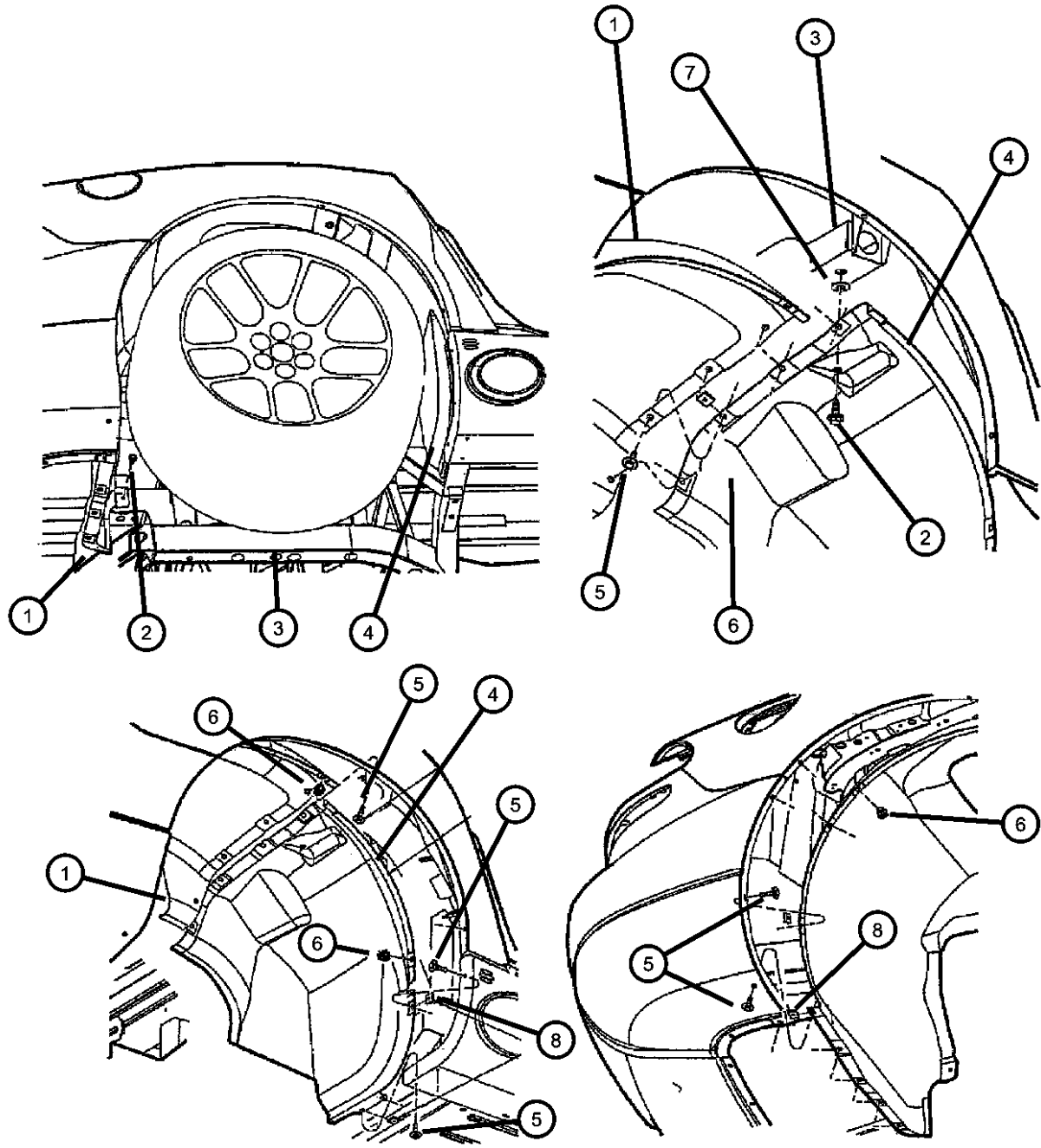
ENGINE  
EWC = Engine - 8.3L V10 SFI

TRANSMISSION  
DEC = 6 Speed Manual  
DBB = All Manual Transmissions

AR = use ase required - = Non illustrated part

2005 ZB

Shields - Splash  
Figure SZB-425



ITEM	PART NUMBER	QTY	LINE	SERIES	BODY	ENGINE	TRANS	TRIM	DESCRIPTION
1									SHIELD, Splash
	04865646AD	1							Right Rear, Lower
	04865647AD	1							Left Rear, Lower
2	04865647AD	1							SCREW, Tapping, [.250-14x.875], (NOT SERVICED)
3	04865647AD	1							FRAME, Reference, (NOT REQUIRED)
4									SHIELD, Splash
	04865648AD	1							Right Rear, Upper
	04865649AD	1							Left Rear, Upper
5									SCREW, [.190-16x.750]
	06035625	24							Splash Shield Attaching
		6							Splash Shield
6	06504118	8							U-NUT, M6 x 1.00, M6x1.00
7	06100877	2							WASHER, Flat, M6, Upper Splash Shield Attaching
8	06504118	8							U-NUT, M6 x 1.00, M6x1.00

VIPER (ZB)

SERIES  
S = SRT-10  
X = Coupe

LINE  
D = DODGE

BODY  
27 = 2-DR CONVERTIBLE  
29 = SPECIALTY COUPE

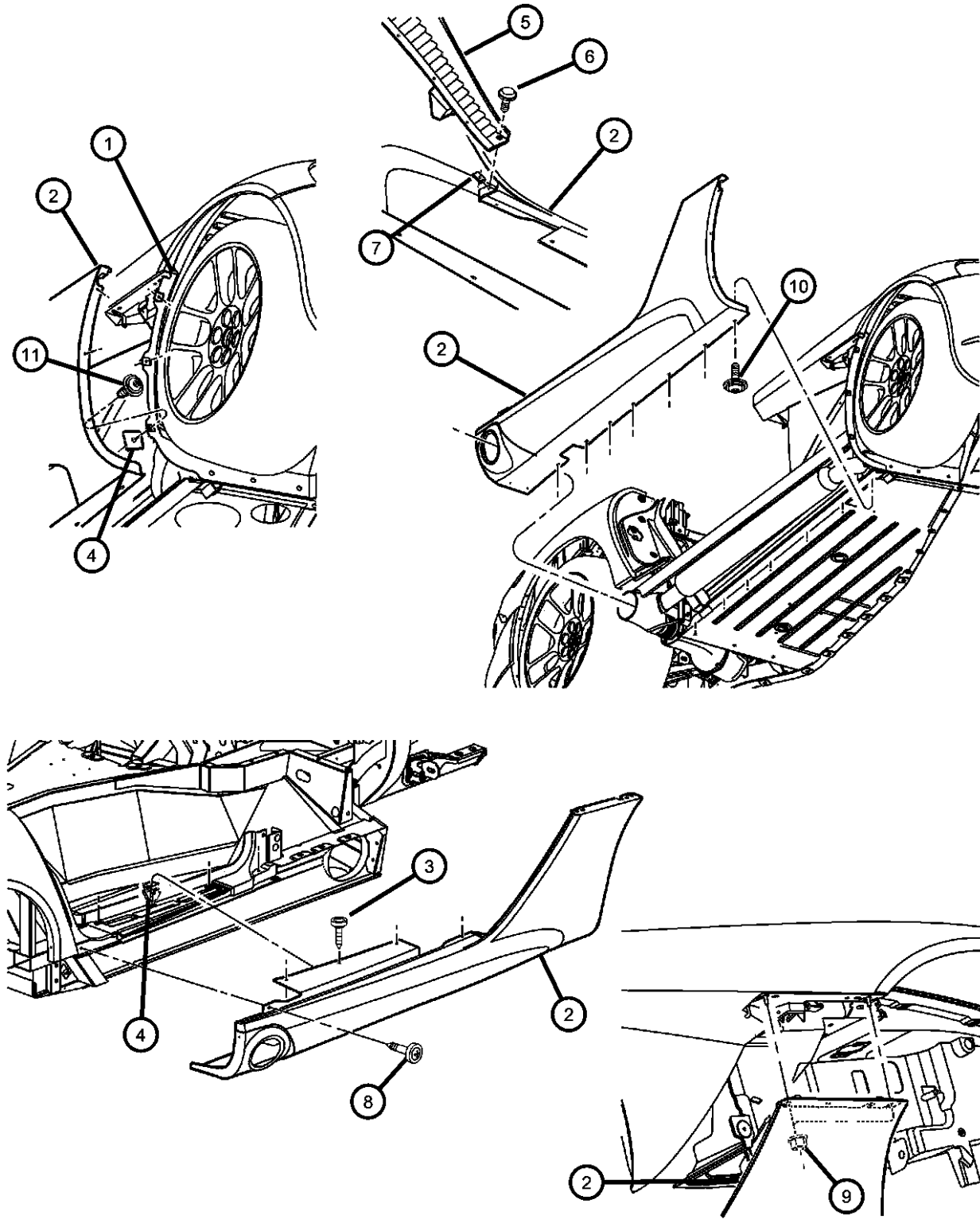
ENGINE  
EWC = Engine - 8.3L V10 SFI

TRANSMISSION  
DEC = 6 Speed Manual  
DBB = All Manual Transmissions

AR = use ase required - = Non illustrated part

2005 ZB

Loose Panels  
Figure SZB-430



ITEM	PART NUMBER	QTY	LINE	SERIES	BODY	ENGINE	TRANS	TRIM	DESCRIPTION
1	06504118	8							SHIELD, Splash, Reference, (NOT REQUIRED)
2									PANEL, Sill
	05086368AD	1							Right
	05086369AD	1							Left
3	06035625	8							SCREW, [.190-16x.750], Sill Door Surround
4	06507528AA	6							NUT, Snap In, M4.8x1.6, Sill Panel to Splash Shield Attaching
5									GRILLE, Fender
	05029276AC	1							Right
	05029277AC	1							Left
6	06036568AA	6							SCREW, [.164-18x.780]
7	06036568AA	6							NUT/SPRING, Snap In, .164-18, (NOT SERVICED)
8	06501067	2							PIN, Push, M6.3x20.5, Sill to Rear Quarter Panel
9	06102126AA	2							NUT AND WASHER, Hex, M6x1.0
10	06102132AA	7				27			SCREW, Hex Head, M6x1x20
11	06507453AA	6							BOLT AND RETAINER, M6.35x12.70, Sill Panel to Splash Shield Attaching

VIPER (ZB)

SERIES  
S = SRT-10  
X = Coupe

LINE  
D = DODGE

BODY  
27 = 2-DR CONVERTIBLE  
29 = SPECIALTY COUPE

ENGINE  
EWC = Engine - 8.3L V10 SFI

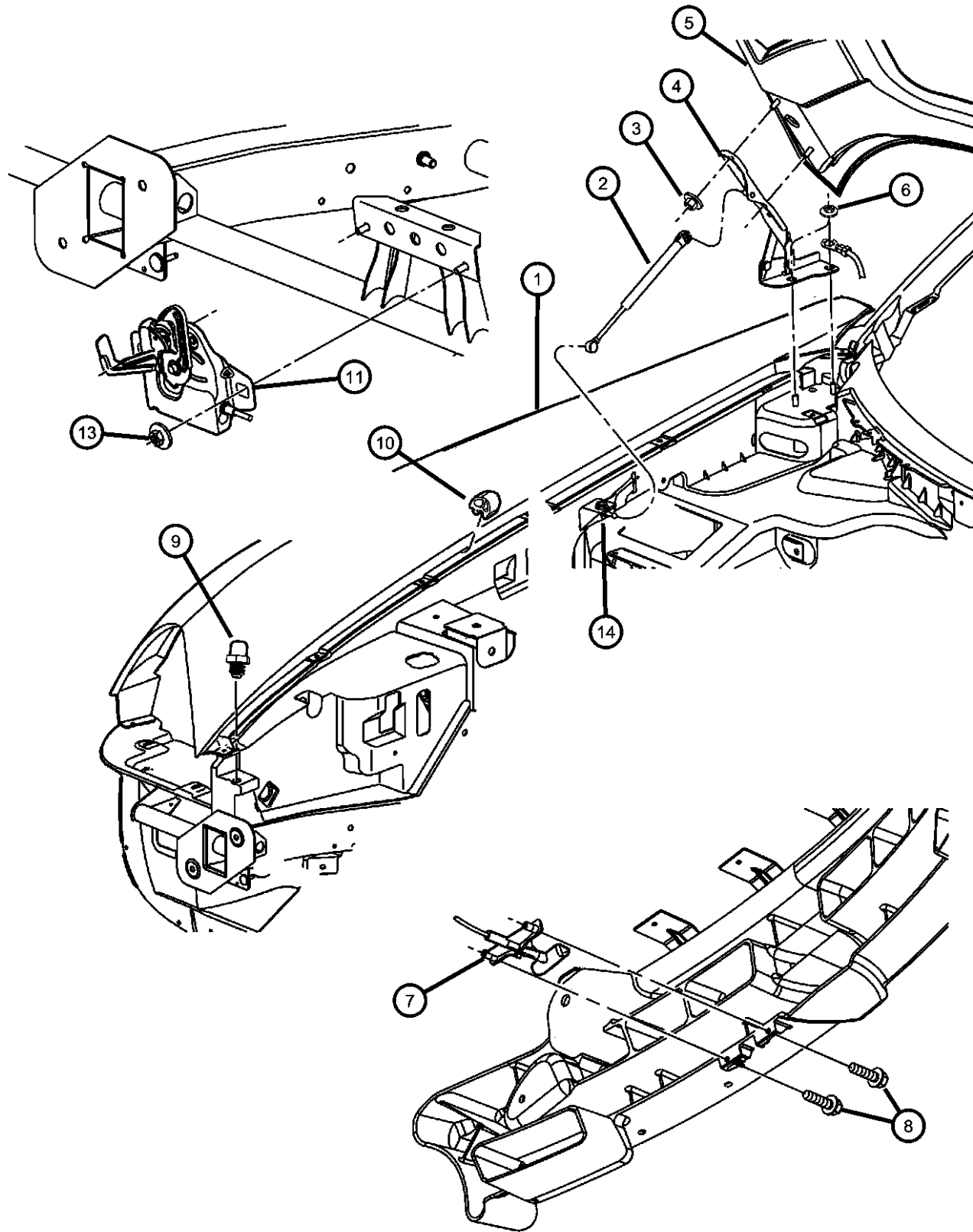
TRANSMISSION  
DEC = 6 Speed Manual  
DBB = All Manual Transmissions

AR = use ase required - = Non illustrated part

2005 ZB



Hood  
Figure SZB-510



ITEM	PART NUMBER	QTY	LINE	SERIES	BODY	ENGINE	TRANS	TRIM	DESCRIPTION
Note: [P.A.R.] = Paint as Required									
1	06507453AA	6							SUPPORT, Fender, Reference, (NOT SERVICED)
2	04865820AE	2							PROP, Gas
3	34201358	4							NUT AND WASHER, Hex Nut-Sealing Washer, M6 x 1.00
4									HINGE, Hood
	04865638AC	1							Right
	04865639AC	1							Left
5	05029272AD	1							HOOD
6	05029272AD	1							NUT AND WASHER, Hex Nut-Coned Washer, M8 x 1.25, (NOT SERVICED)
7	04865815AA	1							RELEASE, Hood Latch
8	06104635AB	2							SCREW Hood Release
9	05008628AA	2							BUMPER, Deck Lid
10	05029179AA	6							BUMPER, Hood
11	04865827AC	1							LATCH, Hood
-12	04865784AA	1							BEZEL, Hood
13	34201358	2							NUT AND WASHER, Hex Nut-Sealing Washer, M6 x 1.00
14	06507213AA	1	D					27, 29	BALL STUD

VIPER (ZB)

SERIES

S = SRT-10

X = Coupe

LINE

D = DODGE

BODY

27 = 2-DR CONVERTIBLE

29 = SPECIALTY COUPE

ENGINE

EWC = Engine - 8.3L V10 SFI

TRANSMISSION

DEC = 6 Speed Manual

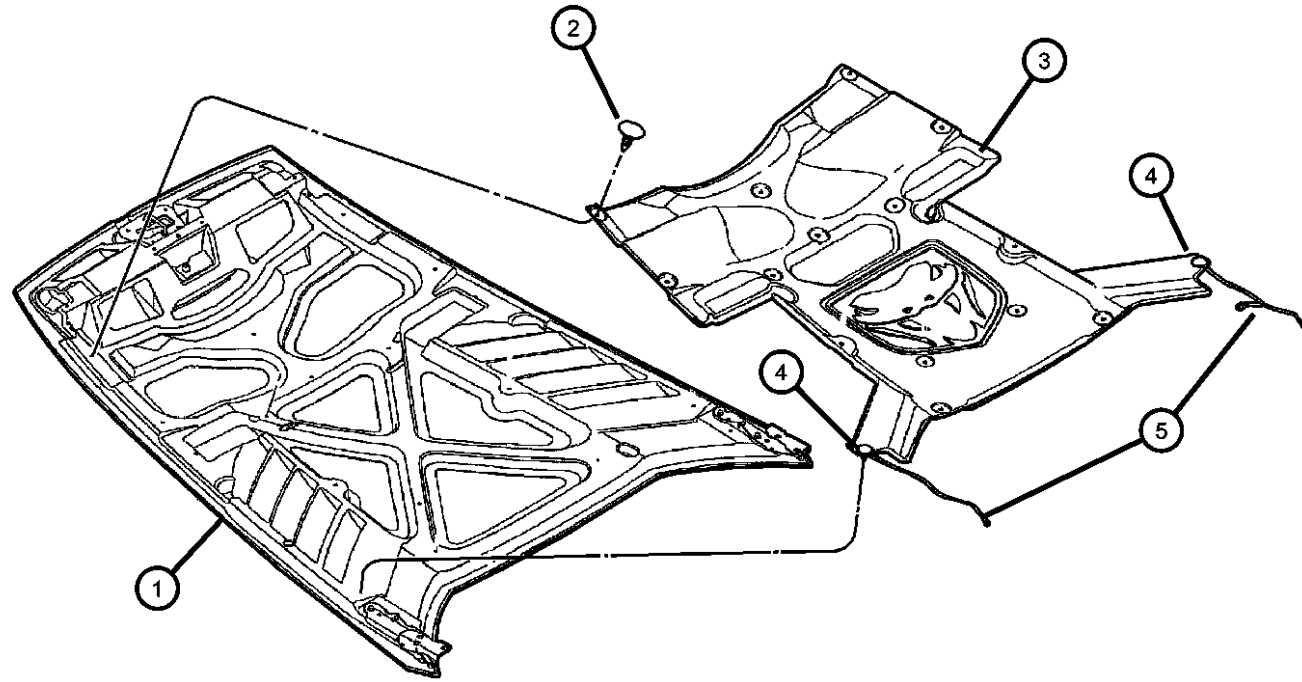
DBB = All Manual Transmissions

AR = use ase required - = Non illustrated part

2005 ZB

Hood Silencer  
Figure SZB-515

ITEM	PART NUMBER	QTY	LINE	SERIES	BODY	ENGINE	TRANS	TRIM	DESCRIPTION
1	06507213AA	1							HOOD, Reference, (NOT REQUIRED)
2	06501590	16							PIN, Push, Underhood Insulator
3	04865684AB	1							SILENCER, Hood
4	04865684AB	1							PUSH PIN, Serviced With Item 3, (NOT SERVICED)
5	04865684AB	1							STRAP, Ground, Serviced With Item 3, (NOT SERVICED)



VIPER (ZB)

SERIES  
S = SRT-10  
X = Coupe

LINE  
D = DODGE

BODY  
27 = 2-DR CONVERTIBLE  
29 = SPECIALTY COUPE

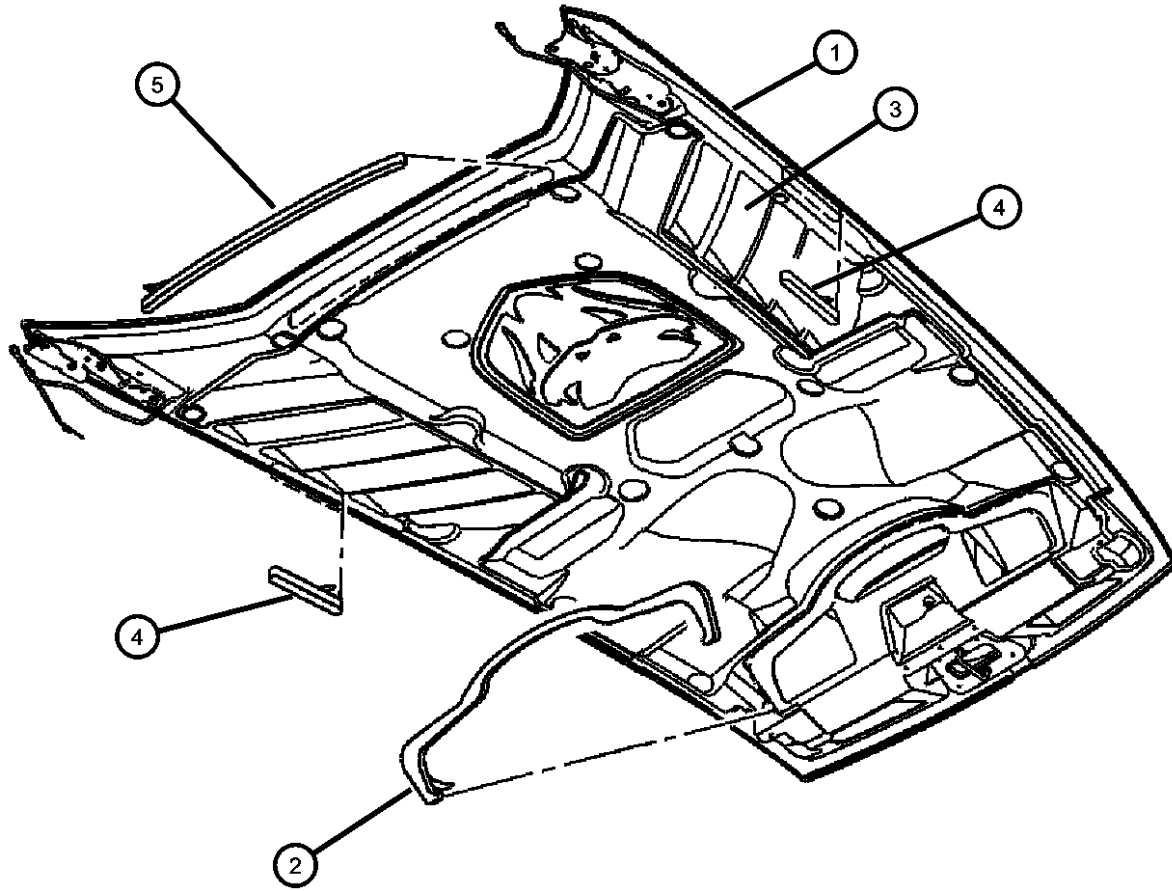
ENGINE  
EWC = Engine - 8.3L V10 SFI  
TRANSMISSION  
DEC = 6 Speed Manual  
DBB = All Manual Transmissions

AR = use ase required - = Non illustrated part

2005 ZB

Hood Sealer  
Figure SZB-520

ITEM	PART NUMBER	QTY	LINE	SERIES	BODY	ENGINE	TRANS	TRIM	DESCRIPTION
1	04865684AB	1							HOOD, Reference, (NOT REQUIRED)
2	05029171AB	1							SEAL, Air Cleaner
3	05029047AA	1							DEFLECTOR, Air
4	05029542AA	2							SEAL, Foam
5	05029534AA	1							SEAL, Foam



VIPER (ZB)

SERIES

S = SRT-10  
X = Coupe

LINE

D = DODGE

BODY

27 = 2-DR CONVERTIBLE  
29 = SPECIALTY COUPE

ENGINE

EWC = Engine - 8.3L V10 SFI

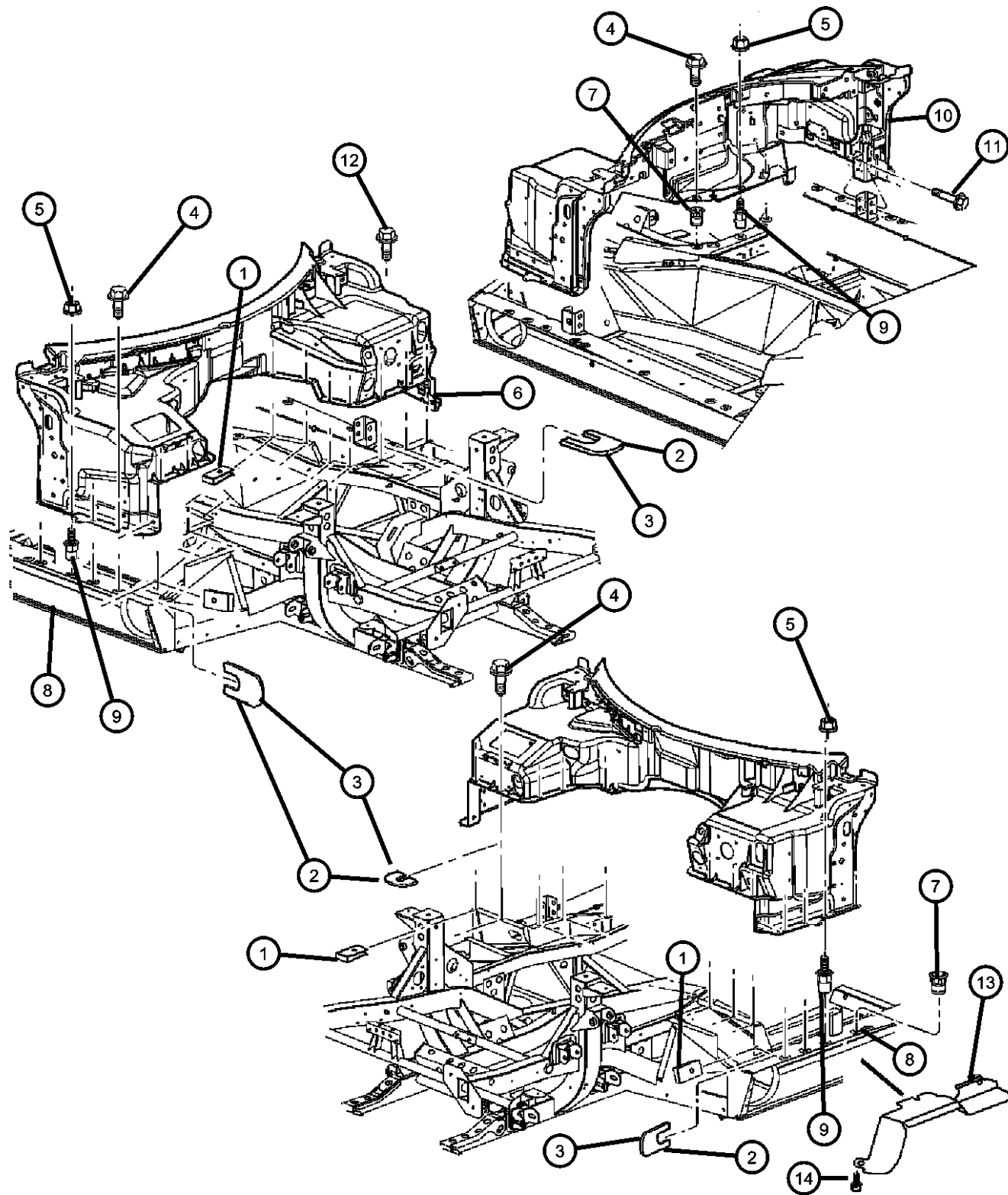
TRANSMISSION

DEC = 6 Speed Manual  
DBB = All Manual Transmissions

AR = use ase required - = Non illustrated part

2005 ZB

**Dash Panel  
Figure SZB-610**



ITEM	PART NUMBER	QTY	LINE	SERIES	BODY	ENGINE	TRANS	TRIM	DESCRIPTION
1	05029534AA	1							NUT, U Type Multi Thread, M8 x 1.25, (NOT SERVICED)
2	35022111	AR							SPACER, Fender, 1.0, Alignment, Front Fender
3	35022112	AR							SPACER, Fender, 1.5, Alignment, Front Fender
4	06101793	24							SCREW AND WASHER, Hex Head, M8x1.25x25
5	06101809	3							NUT AND WASHER, Hex, M8x1.25, To Frame Attaching, Dash Panel
6	04865495AD	1							PANEL, Dash
7	04865495AD	1							NUT/RIVET, [M8x1.25x17.78], (NOT SERVICED)
8	04865495AD	1							FRAME, Reference, (NOT REQUIRED)
9	04865495AD	1							STUD, 1.End,Spec. [M8x1.25x16.00], (NOT SERVICED)
10									BRACKET, Dash
	05029188AA	1							Right
	05029189AA	1							Left
11	06101326	4							BOLT, Bracket Assy. To Frame
12	06101799	3							BOLT AND WASHER, Hex Head, M8x1.25x20, Hinge Pillar Support
13									SHIELD, Heat
	05029318AA	1							Right
	05029319AA	1							Left
14	06031694	8							SCREW AND WASHER, Hex Head, .164-18x1.0
-15	05029235AA	2							SEAL, Hinge to Front of Dash

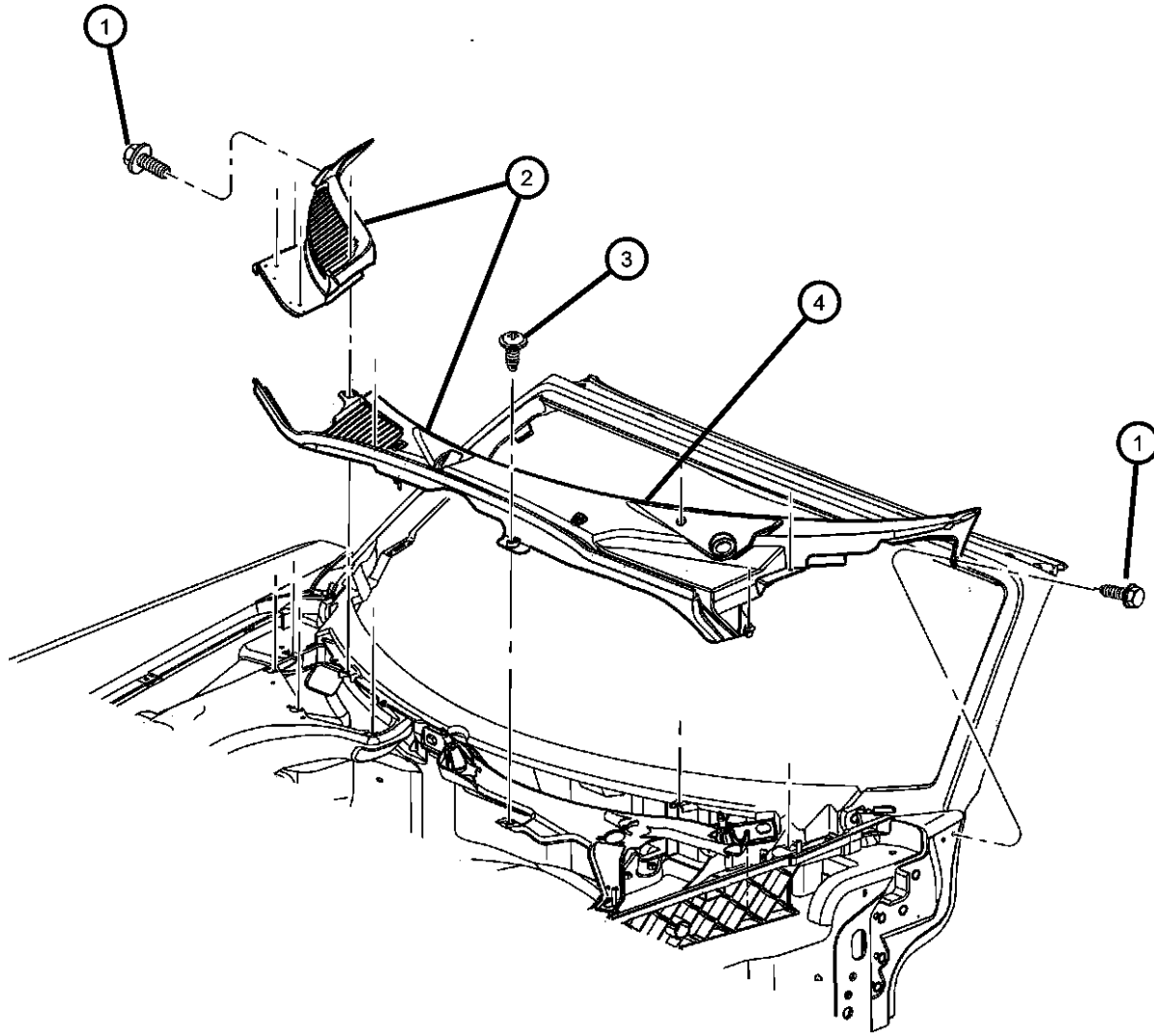
**VIPER (ZB)**

SERIES	LINE	BODY	ENGINE	TRANSMISSION
S = SRT-10	D = DODGE	27 = 2-DR CONVERTIBLE	EWC = Engine - 8.3L V10 SFI	DEC = 6 Speed Manual
X = Coupe		29 = SPECIALTY COUPE		DBB = All Manual Transmissions

AR = use ase required - = Non illustrated part

**Cowl Panel  
Figure SZB-615**

ITEM	PART NUMBER	QTY	LINE	SERIES	BODY	ENGINE	TRANS	TRIM	DESCRIPTION
1	06102086AA	2							SCREW AND WASHER, Hex Head, M5x0.80x25.00, Cowl to Windshield Attaching
2									SCREEN, Cowl Top
	0UC22RXFAC	1							Right
	0UC23RXFAC	1							Left
3	06036445AA	9							SCREW, .164-18x1.00, Cowl Panel Attaching
4	04865985AB	1							WEATHERSTRIP, Hood to Cowl
-5	05029425AA	1							INSULATOR



**VIPER (ZB)**

SERIES  
S = SRT-10  
X = Coupe

LINE  
D = DODGE

BODY  
27 = 2-DR CONVERTIBLE  
29 = SPECIALTY COUPE

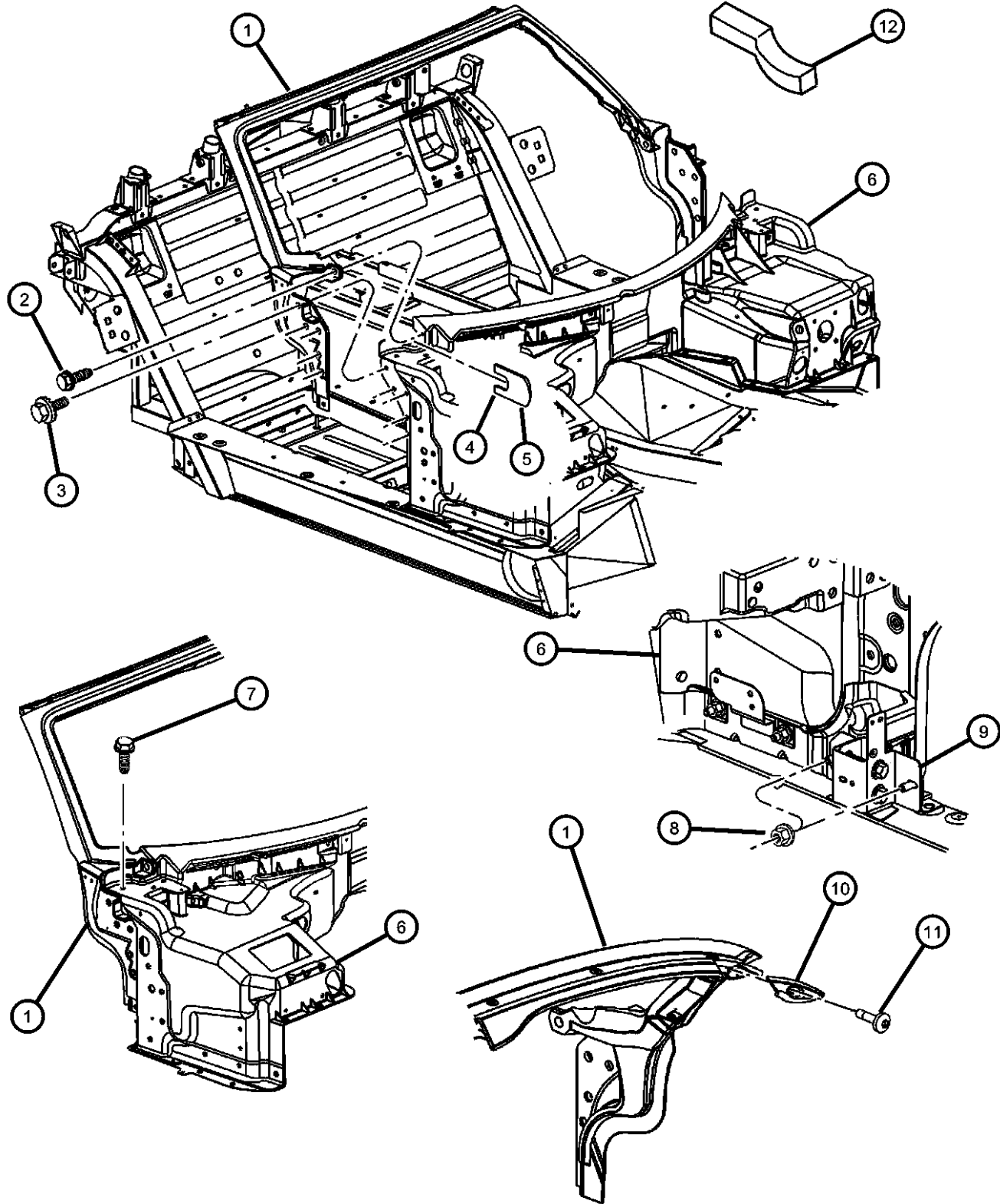
ENGINE  
EWC = Engine - 8.3L V10 SFI

TRANSMISSION  
DEC = 6 Speed Manual  
DBB = All Manual Transmissions

AR = use ase required - = Non illustrated part

2005 ZB

**Panel - Windshield Surround  
Figure SZB-705**



ITEM	PART NUMBER	QTY	LINE	SERIES	BODY	ENGINE	TRANS	TRIM	DESCRIPTION
1	0TP57RXFAE	1							FRAME, Windshield Surround
2	0TP57RXFAE	1							SCREW AND WASHER, [M8x2.50x30.0], (NOT SERVICED)
3	06503351	10							SCREW AND WASHER, Hex Head, M8x1.25x35, Windshield Surround to Folding Top
4	35022112	AR							SPACER, Fender, 1.5
5	35022111	AR							SPACER, Fender, 1.0
6	04865495AD	1							PANEL, Dash
7	06507167AA	2							SCREW, [M5x0.8x28.0], Windshield Surround
8									NUT AND WASHER, Hex, M8x1.25
	06101809	4							Bracket to Folding Attaching
		1							Brace to Instrument Panel
9									BRACKET, Dash
	05029188AA	1							Front of Dash, Right
	05029189AA	1							Front of Dash, Left
10									DOWEL, Windshield Surround
	0TP60RXFAA	1							Right
	0TP61RXFAA	1							Left
11	06508056AA	1							SCREW, M5x16
12	05029330AA	4							SEAL, Foam

**VIPER (ZB)**

SERIES  
S = SRT-10  
X = Coupe

LINE  
D = DODGE

BODY  
27 = 2-DR CONVERTIBLE  
29 = SPECIALTY COUPE

ENGINE  
EWC = Engine - 8.3L V10 SFI

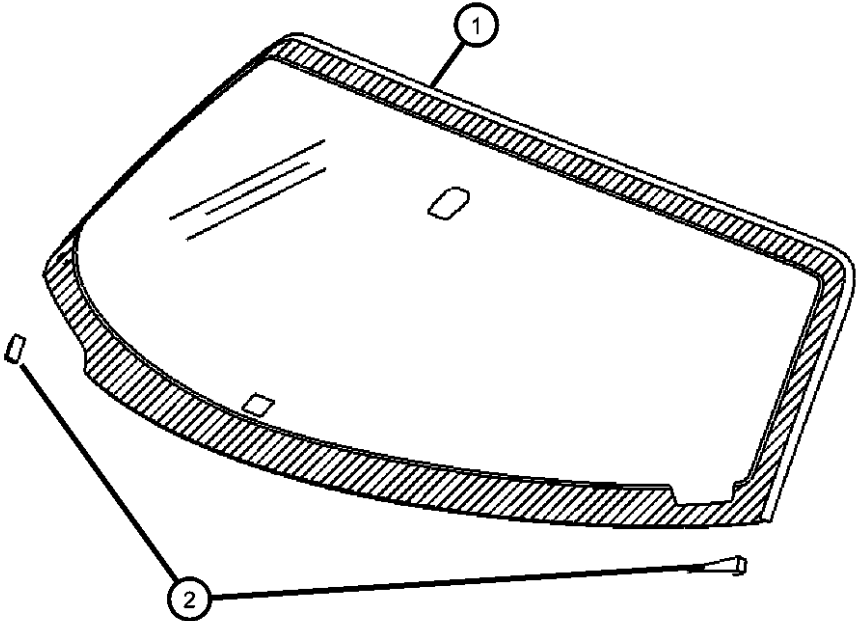
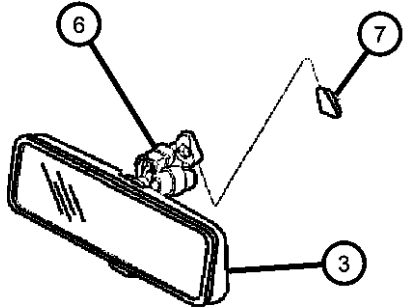
TRANSMISSION  
DEC = 6 Speed Manual  
DBB = All Manual Transmissions

AR = use ase required - = Non illustrated part

2005 ZB

**Glass Windshield, Frame And Mirror (Convertible)  
Figure SZB-710**

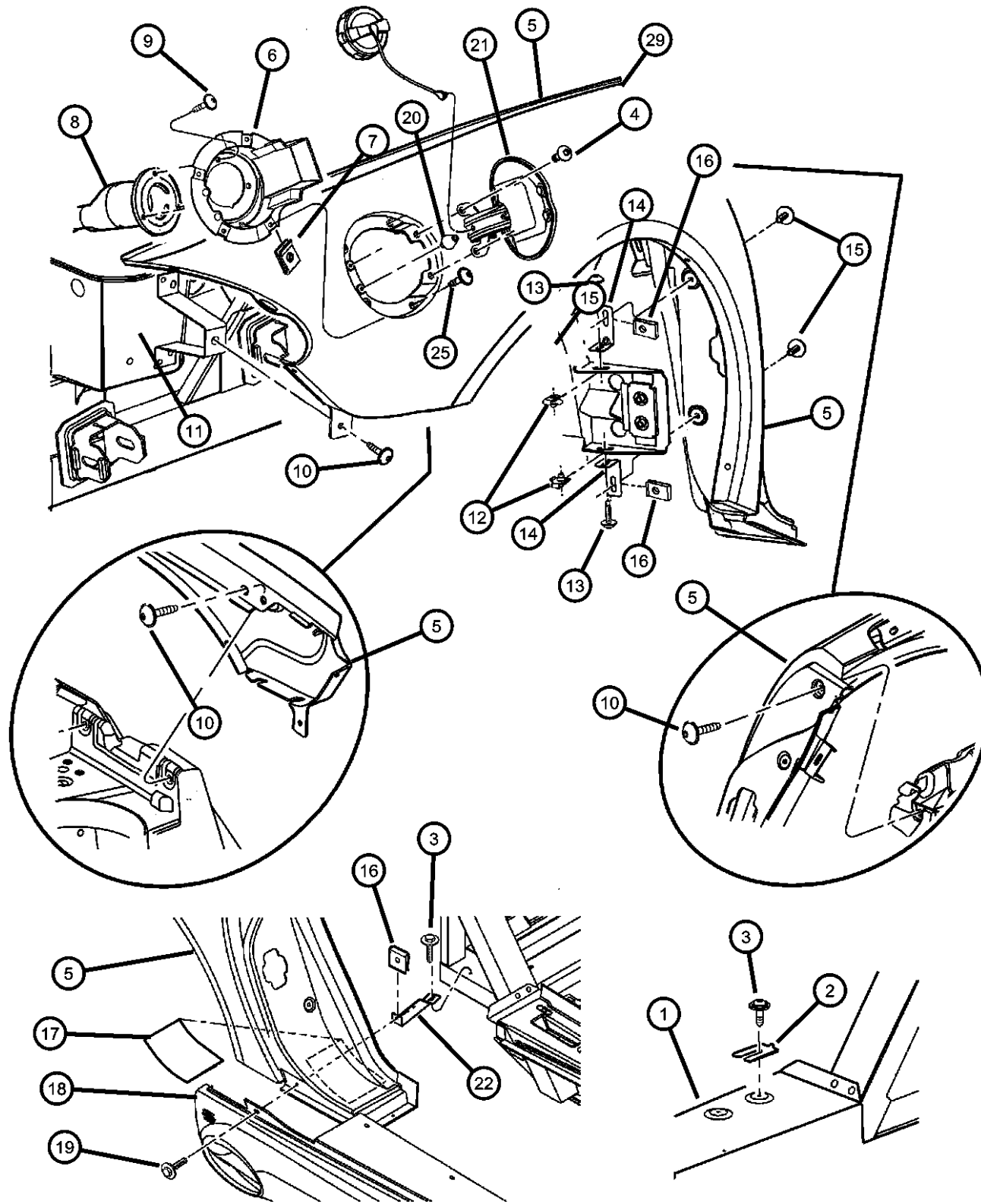
ITEM	PART NUMBER	QTY	LINE	SERIES	BODY	ENGINE	TRANS	TRIM	DESCRIPTION
1	05086542AA DW01513GTY	1							WINDSHIELD, Shipping Assembly - 05 Lite Glass Collision Replacement Glass
2	04643847	AR							SHIM, Windshield
3	05029067AB	1							MIRROR, Inside Rear View, Lighted
-4	05029051AA	1			27				LAMP, Indicator
-5	05029064AA	1							RETAINER
6	05029064AA	1							SCREW, Pan Head Tapping, .19-16x.375, [.19-16X.375], (NOT SERVICED)
7	55076401	1							BUTTON, Rear View Mirror
-8	04864015	4							INSTALLATION PACKAGE, Windshield Glass



<b>VIPER (ZB)</b>				
SERIES	LINE	BODY	ENGINE	TRANSMISSION
S = SRT-10	D = DODGE	27 = 2-DR CONVERTIBLE 29 = SPECIALTY COUPE	EWC = Engine - 8.3L V10 SFI	DEC = 6 Speed Manual DBB = All Manual Transmissions
X = Coupe				

AR = use ase required - = Non illustrated part

Quarter Panel - Rear  
Figure SZB-910



ITEM	PART NUMBER	QTY	LINE	SERIES	BODY	ENGINE	TRANS	TRIM	DESCRIPTION
------	-------------	-----	------	--------	------	--------	-------	------	-------------

Note: [P.A.R.] = Paint As Required

1	04864015	4							FRAME, Reference, (NOT REQUIRED)
2	04643463	AR							SHIM, Hood Latch, Quarter Panel to Frame
3	06035625	2							SCREW, [.190-16x.750], To Frame, Quarter Panel
4	06504791	2							SCREW, TAPPING, BUTTON HEAD, M6 X 1.00 X 18.00, Fuel Door
5									PANEL, Quarter
	04865796AE	1							Paint as Required, Right
	04865797AE	1							Paint as Required, Left
6	04865906AB	1							HOUSING, Fuel Filler
7	06036491AA	4							NUT, Spring U Type, For .164-18 Screw, Fuel Filler Housing Attach
8	06036491AA	4							TUBE, Fuel Filler, Reference, (NOT REQUIRED)
9	06036491AA	4							SCREW, Tapping, .19-16x.75, (NOT SERVICED)
10	06507008AA	10							SCREW AND WASHER, Truss Head, M6x1x30
11	04865472AD	1							PAN, Trunk Primed
12	06506962AA	4							NUT, U, M6x1.00, L- Bracket To Frame, Quarter Panel
13	06100567	4							SCREW AND WASHER, Hex Head, M6x1x25, L-Bracket to Frame
14	04865907AA	4							BRACKET, Quarter Panel
15	06035625	4							SCREW, [.190-16x.750], To L-Bracket, Quarter Panel
16	06035625	4							NUT/SPRING, "U" 1 THD, .190-16, (NOT SERVICED)
17									INSULATION, Foil Backed Seal
	05029324AB	1							Door Surround, Panel to Exhaust
	05029325AB	1							Quarter Panel to Exhaust
18	05029325AB	1							PANEL, Sill, Reference, (NOT REQUIRED),
19	06035625	4							SCREW, [.190-16x.750], Adjuster Bracket Attaching, Quarter Panel
20	05029238AA	2							BUMPER, Fuel Door
21	04865738AB	1							DOOR, Fuel Fill
22									BRACKET, Quarter Panel
	05029260AA	1							Right
	05029261AA	1							Left

VIPER (ZB)

SERIES      LINE  
S = SRT-10    D = DODGE  
X = Coupe

BODY  
27 = 2-DR CONVERTIBLE  
29 = SPECIALTY COUPE

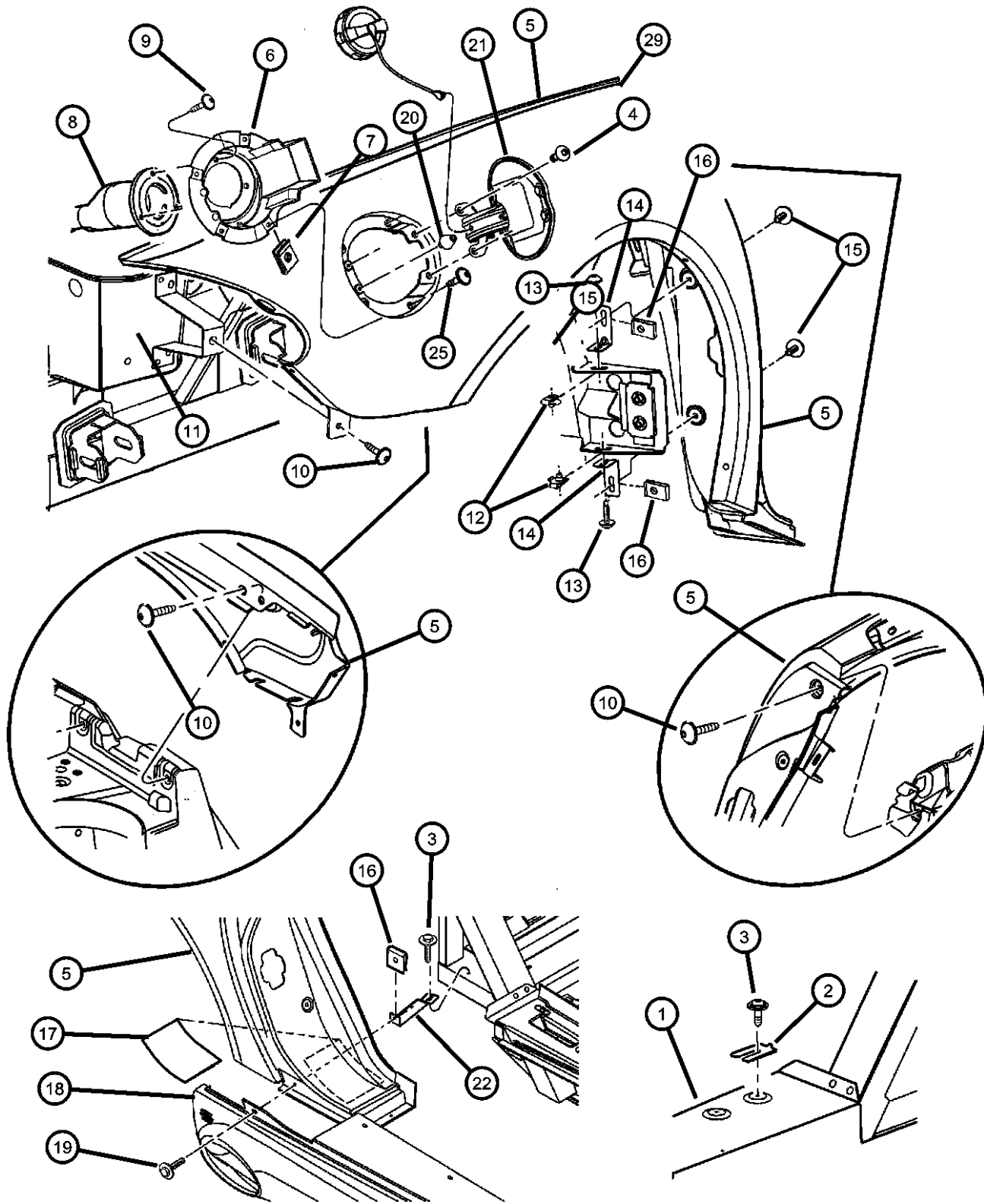
ENGINE      TRANSMISSION  
EWC = Engine - 8.3L V10 SFI    DEC = 6 Speed Manual  
DBB = All Manual Transmissions

AR = use ase required    - = Non illustrated part

2005 ZB



Quarter Panel - Rear  
Figure SZB-910



ITEM	PART NUMBER	QTY	LINE	SERIES	BODY	ENGINE	TRANS	TRIM	DESCRIPTION
-23	04865768AA	2							BRACKET, Quarter Inner
-24									SEAL, Quarter Panel
	05029174AB	1							B-Pillar To Frame, Right
	05029175AB	1							B-Pillar To Frame, Left
	05029212AA	1							B-Pillar Upper, Right
	05029213AA	1							B-Pillar Upper, Left
25	00153835	4							SCREW, .164-18x.625, Fuel Filler Housing Attach
-26	05029767AA	2							DEFLECTOR, Air
-27									INSULATION, Foil Backed Seal
	05029444AA	1							Large, Right
	05029445AA	1							Large, Left
	05029446AA	1							Small, Right
	05029447AA	1							Small, Left
	05029448AA	1							Medium, Right
	05029449AA	1							Medium, Left
-28									ISOLATOR, FOAM
	05029632AB	1							Door Soround , Long, Right
	05029633AB	1							Door Soround , Long, Left
	05029634AB	1							Door Soround , Short, Right
	05029635AB	1							Door Soround , Short, Left
29	05029405AA	1							SEAL, Quarter Panel

VIPER (ZB)

SERIES  
S = SRT-10  
X = Coupe

LINE  
D = DODGE

BODY  
27 = 2-DR CONVERTIBLE  
29 = SPECIALTY COUPE

ENGINE  
EWC = Engine - 8.3L V10 SFI

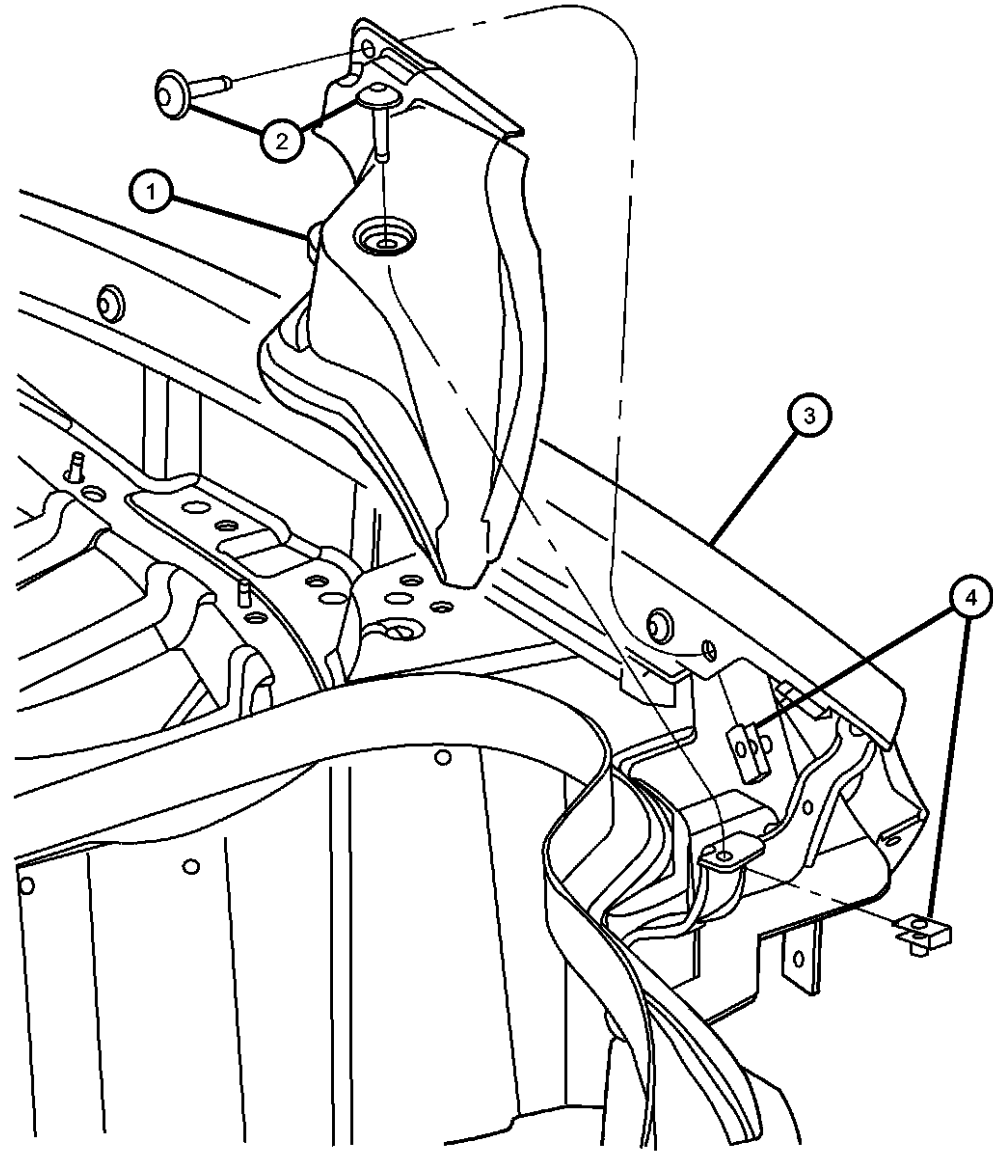
TRANSMISSION  
DEC = 6 Speed Manual  
DBB = All Manual Transmissions

AR = use ase required - = Non illustrated part

2005 ZB

**Panel - Tail Lamp  
Figure SZB-920**

ITEM	PART NUMBER	QTY	LINE	SERIES	BODY	ENGINE	TRANS	TRIM	DESCRIPTION
1									PANEL, Taillamp Mounting
	05029124AA	1							Right
	05029125AA	1							Left
2	06507008AA	4							SCREW AND WASHER, Truss Head, M6x1x30
3	06507008AA	4							PANEL, Quarter Trim, Rear [Referance], (NOT REQUIRED)
4	06101442	4							U-NUT, M6 x 1.00, M6x1.00, Lamp Quarter Attaching
-5									BRACKET, Tail Lamp
	05029120AA	1							Right
	05029121AA	1							Left
-6	05029520AA	2							ISOLATOR, FOAM, Tail Lamp Cover



**VIPER (ZB)**

SERIES  
S = SRT-10  
X = Coupe

LINE  
D = DODGE

BODY  
27 = 2-DR CONVERTIBLE  
29 = SPECIALTY COUPE

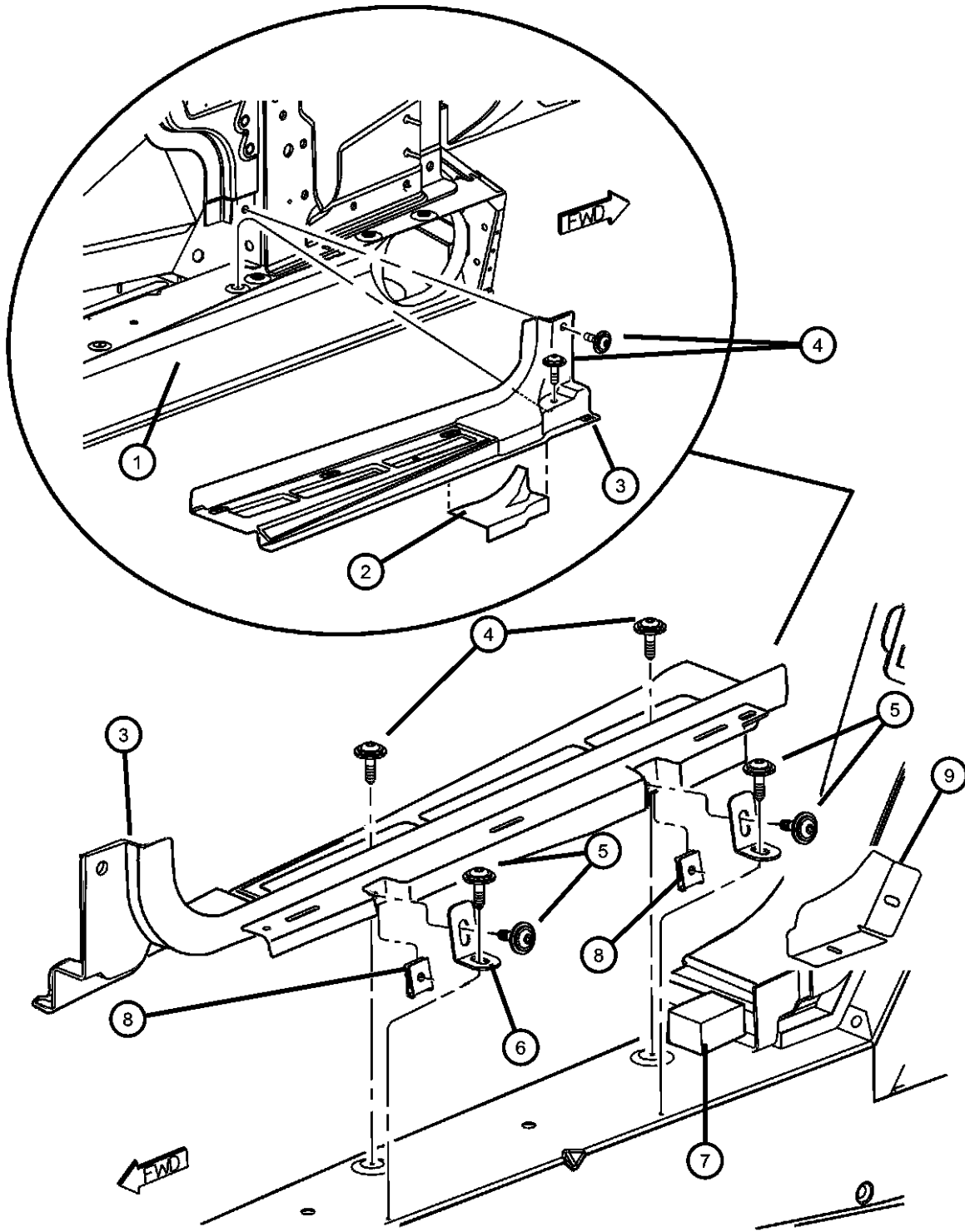
ENGINE  
EWC = Engine - 8.3L V10 SFI

TRANSMISSION  
DEC = 6 Speed Manual  
DBB = All Manual Transmissions

AR = use ase required - = Non illustrated part

2005 ZB

Loose Panels  
Figure SZB-930



ITEM	PART NUMBER	QTY	LINE	SERIES	BODY	ENGINE	TRANS	TRIM	DESCRIPTION
1	05029520AA	2							FRAME, Reference Only, (NOT REQUIRED)
2	05029520AA	2							FOIL, Insulator, (NOT SERVICED)
3									PANEL, Door Surround
	04865888AC	1							Right
	04865889AC	1							Left
4	06035625	6							SCREW, [.190-16x.750], Door Surround To Frame Sill
5	06035625	8							SCREW, [.190-16x.750], Door Surround To L-Bracket and Frame
6	04865891AA	4							BRACKET, Door Surround
7	04865891AA	4							FOAM, Door Surround, (NOT SERVICED)
8	06504118	8							U-NUT, M6 x 1.00, M6x1.00
9									BRACKET, B-Pillar
	05029350AA	1							Right
	05029351AA	1							Left
-10									INSULATOR
	05029342AA	1							Right
	05029343AA	1							Left
	05029346AA	2							Lower

VIPER (ZB)

SERIES

S = SRT-10

X = Coupe

LINE

D = DODGE

BODY

27 = 2-DR CONVERTIBLE

29 = SPECIALTY COUPE

ENGINE

EWC = Engine - 8.3L V10 SFI

TRANSMISSION

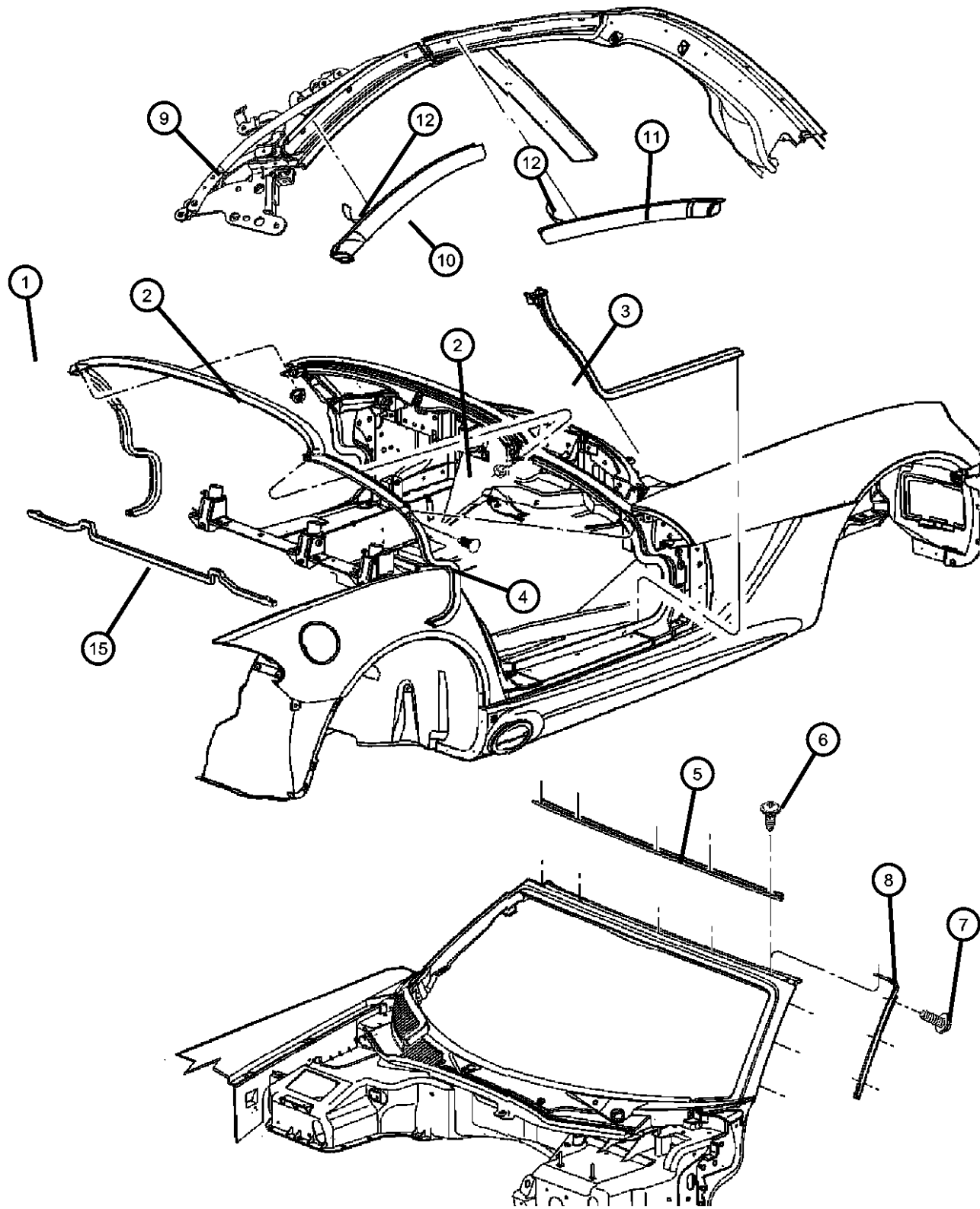
DEC = 6 Speed Manual

DBB = All Manual Transmissions

AR = use ase required - = Non illustrated part

2005 ZB

Weatherstrips  
Figure SZB-1010



ITEM	PART NUMBER	QTY	LINE	SERIES	BODY	ENGINE	TRANS	TRIM	DESCRIPTION
1	04865561AE	1							WEATHERSTRIP, Header and A pillar
2	04865561AE	1							NUT AND WASHER, Hex, M5x.80, (NOT SERVICED)
3									WEATHERSTRIP, Front Door Opening Right
	04865562AF	1							Left
	04865563AF	1							
4	04658673	2							PIN PUSH, .150x.410, Attaching, Lower, A Pillar Weatherstrip
5	04865574AB	1							RETAINER, WeatherstripWindshield Header
6	06508056AA	1							SCREW, M5x16
7	06508056AA	1							SCREW, M5x16
8									RETAINER, Weatherstrip Right
	04865576AB	1							Left
	04865577AB	1							
9	04865577AB	1							CONVERTIBLE TOP, Reference, (NOT REQUIRED)
10									WEATHERSTRIP, Folding Top Side Rail Right Rear
	04865568AE	1							Left Rear
	04865569AE	1							
11									WEATHERSTRIP, Folding Top Side Rail Right, Front
	04865566AD	1							Left, Front
	04865567AD	1							
12	04865567AD	1							TAPE, (NOT SERVICED)
-13	05029607AA	2							SEAL, Foam, Quater Panel to frame
-14	05029443AB	2							SEAL, B-Pillar, B-Pillar to Frame
15	04865953AA	1							SEAL, Floor Pan, Trunk Pan Assy, Front

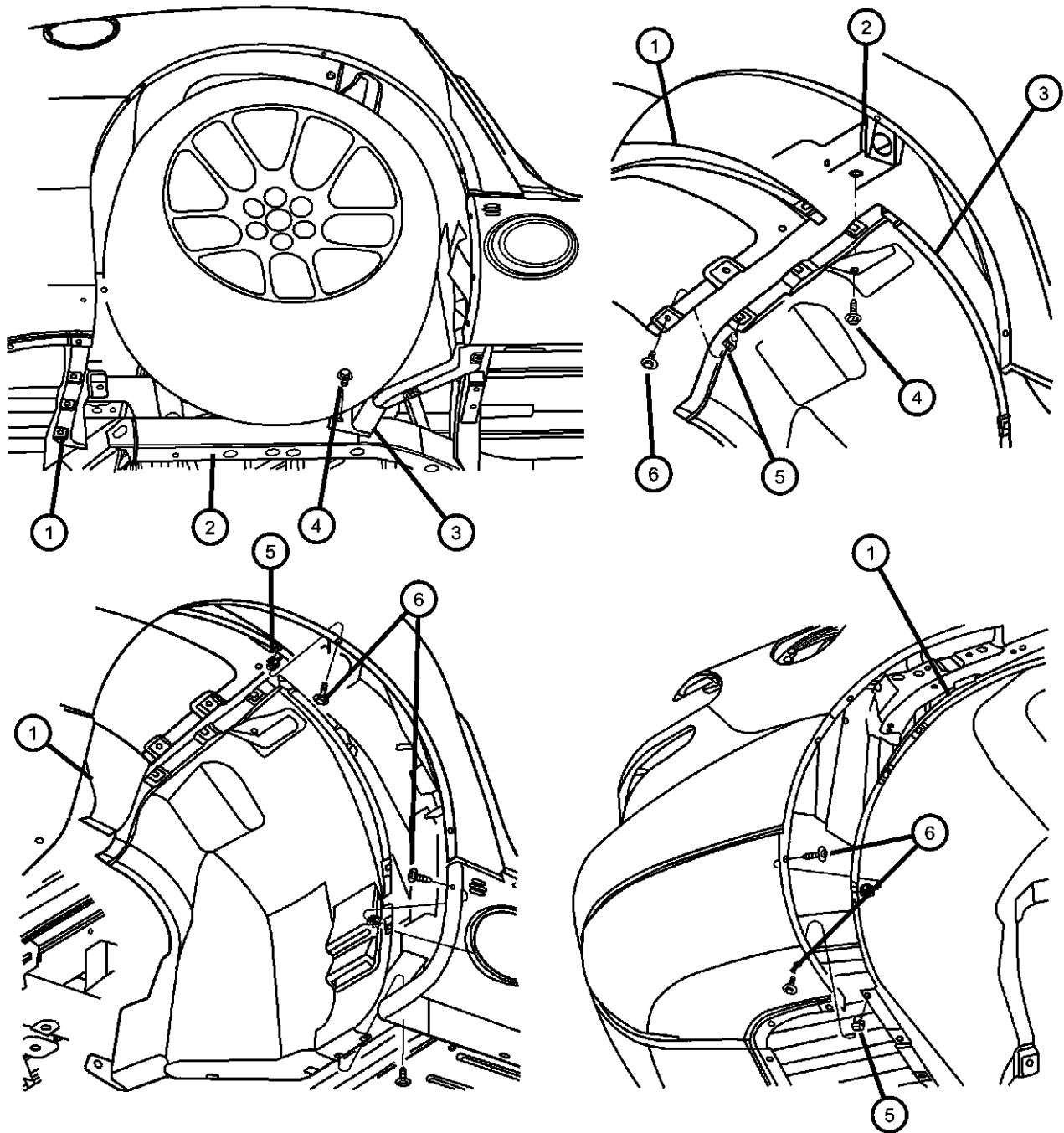
VIPER (ZB)

SERIES	LINE	BODY	ENGINE	TRANSMISSION
S = SRT-10	D = DODGE	27 = 2-DR CONVERTIBLE	EWC = Engine - 8.3L V10 SFI	DEC = 6 Speed Manual
X = Coupe		29 = SPECIALTY COUPE		DBB = All Manual Transmissions

AR = use ase required - = Non illustrated part

2005 ZB

**Shields - Rear Wheelhouse**  
**Figure SZB-1020**



ITEM	PART NUMBER	QTY	LINE	SERIES	BODY	ENGINE	TRANS	TRIM	DESCRIPTION
1	04865646AD	1							SHIELD, Splash Right, Rear, Lower
	04865647AD	1							Left, Rear, Lower
2	04865647AD	1							FRAME, Reference, (NOT REQUIRED)
3	04865648AD	1							SHIELD, Splash Right, Rear, Upper
	04865649AD	1							Left, Rear, Upper
4	04865649AD	1							SCREW, Tapping Hex Flange Head, .250x14x.875, (NOT SERVICED)
5	06504118	1							U-NUT, M6 x 1.00, M6x1.00
6	06035625	6							SCREW, [.190-16x.750] Splash Shield Splash Shield Attaching
		24							

**VIPER (ZB)**

SERIES

S = SRT-10

X = Coupe

LINE

D = DODGE

BODY

27 = 2-DR CONVERTIBLE

29 = SPECIALTY COUPE

ENGINE

EWC = Engine - 8.3L V10 SFI

TRANSMISSION

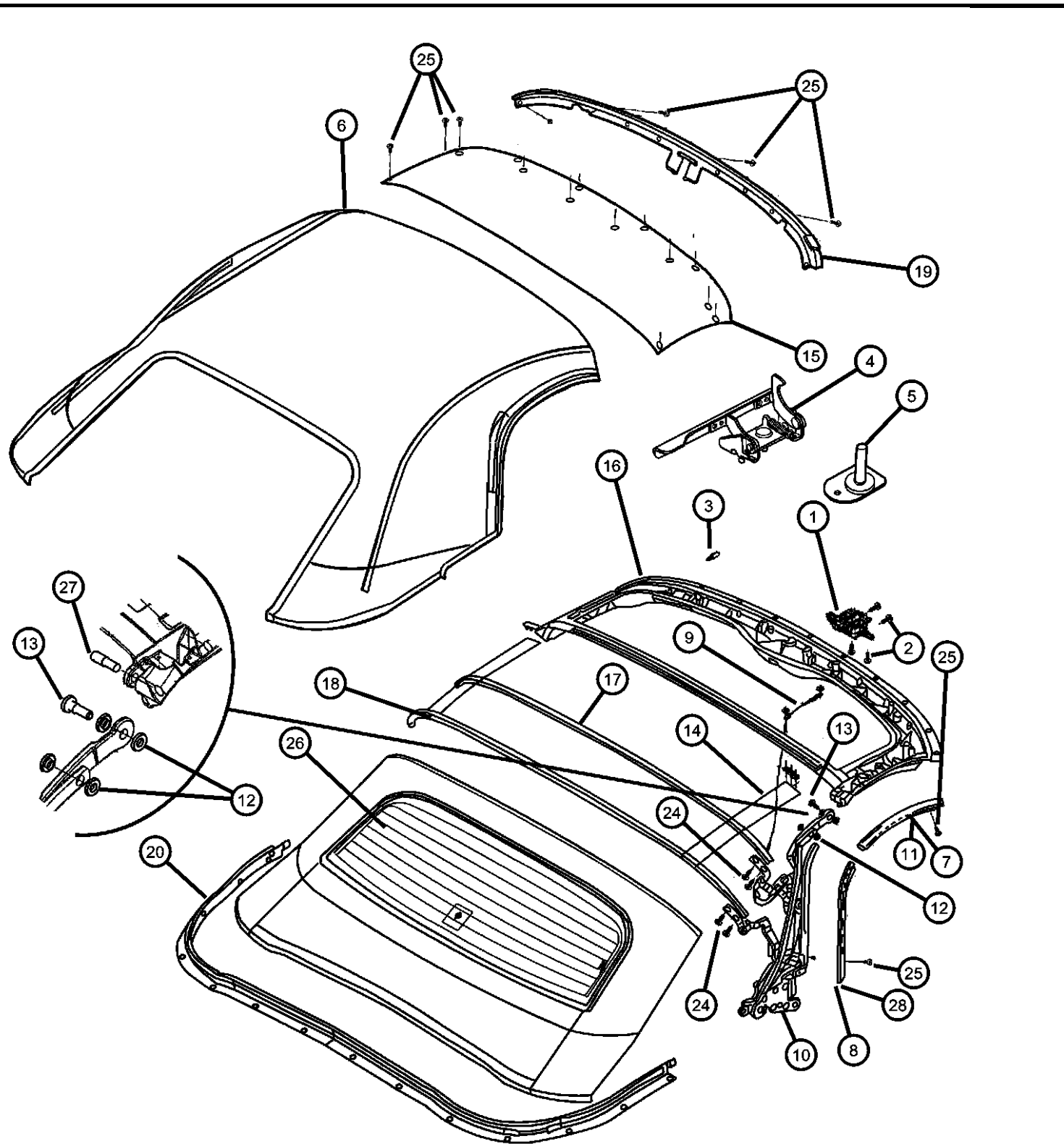
DEC = 6 Speed Manual

DBB = All Manual Transmissions

AR = use ase required - = Non illustrated part

2005 ZB

Folding Top  
Figure SZB-1110



ITEM	PART NUMBER	QTY	LINE	SERIES	BODY	ENGINE	TRANS	TRIM	DESCRIPTION
1	05029168AC	1							HANDLE AND LATCH, Folding Top
2	06507337AA	4							BOLT, M6x25, Latch Attaching
3	05029157AB	2							PIN, Dowel, Folding Top Locator
4	04865936AD	1							LATCH AND BASE, Folding Top
5	04865781AA	12							STUD PLATE, Convertible Top Tack Strip Mounting
6	05029082AD	1							COVER, Folding Top
7									RETAINER, Weatherstrip
	04865570AC	1							Folding Top Front Side Rail, Right
	04865571AC	1							Folding Top Front Side Rail, Left
8									RETAINER, Weatherstrip
	04865572AC	1							Top Rear Side Rail, Right
	04865573AC	1							Top Rear Side Rail, Left
9	04865573AC	1							CABLE, (NOT SERVICED),
10									SIDE RAIL, Folding Top
	05029134AD	1							Linkage, Right
	05029135AD	1							Linkage, Left
11									FOAM
	05029572AA	1							Right
	05029573AA	1							Left
12	05029195AA	8							BUSHING, Pivot
13	06507761AA	2							SCREW, Convertible Top Pivot Bracket
14	05029080AB	1							STAYPAD ASSEMBLY, Folding Top
15	05029133AB	1							PANEL, Headliner
16	05029167AC	1							BOW, Folding Top, Number 2, Includes Front Header
17	05029130AA	1							BOW, Folding Top, Number 3
18	05029131AB	1							BOW, Folding Top, Number 4
19	05029079AC	1							MOLDING, Folding Top
20	05029076AC	1							PANEL, Tackstrip Support
-21	05029077AA	1							TACKSTRIP, Beltline Center
-22									TACKSTRIP, Beltline Outer
	05029084AC	1							Right
	05029085AC	1							Left
-23	05029215AC	1							COVER KIT, Tack Strip, Covers Item 21
24	06036444AA	8							SCREW, .25-20

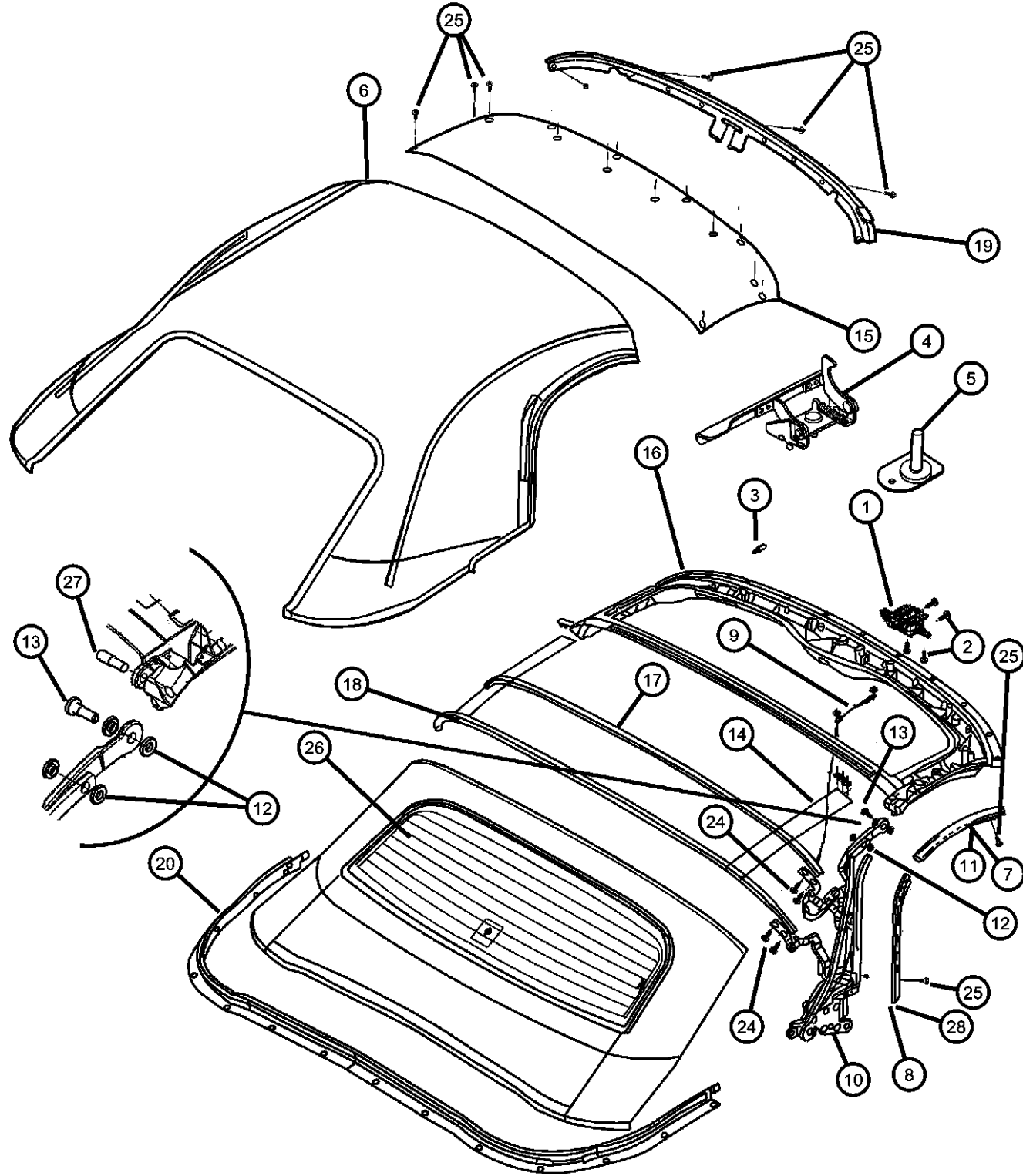
VIPER (ZB)

SERIES	LINE	BODY	ENGINE	TRANSMISSION
S = SRT-10	D = DODGE	27 = 2-DR CONVERTIBLE	EWC = Engine - 8.3L V10 SFI	DEC = 6 Speed Manual
X = Coupe		29 = SPECIALTY COUPE		DBB = All Manual Transmissions

AR = use ase required - = Non illustrated part

2005 ZB

Folding Top  
Figure SZB-1110



ITEM	PART NUMBER	QTY	LINE	SERIES	BODY	ENGINE	TRANS	TRIM	DESCRIPTION
25	06507763AA	12							SCREW Top Seal Retainer
		11							Top Seal Compression Panel
		14							Cloth Support Panel
26	05029081AD	1							BACKLITE
	DB11081CLN								Collision Replacement Glass
27	06507762AA	2							SCREW
28	05029572AA	1							FOAM Right
	05029573AA	1							Left
-29	05029128AE	1							FRAME
-30	06505417AA	6			27				PUSH PIN, Weatherstrip to Top

VIPER (ZB)

SERIES  
S = SRT-10  
X = Coupe

LINE  
D = DODGE

BODY  
27 = 2-DR CONVERTIBLE  
29 = SPECIALTY COUPE

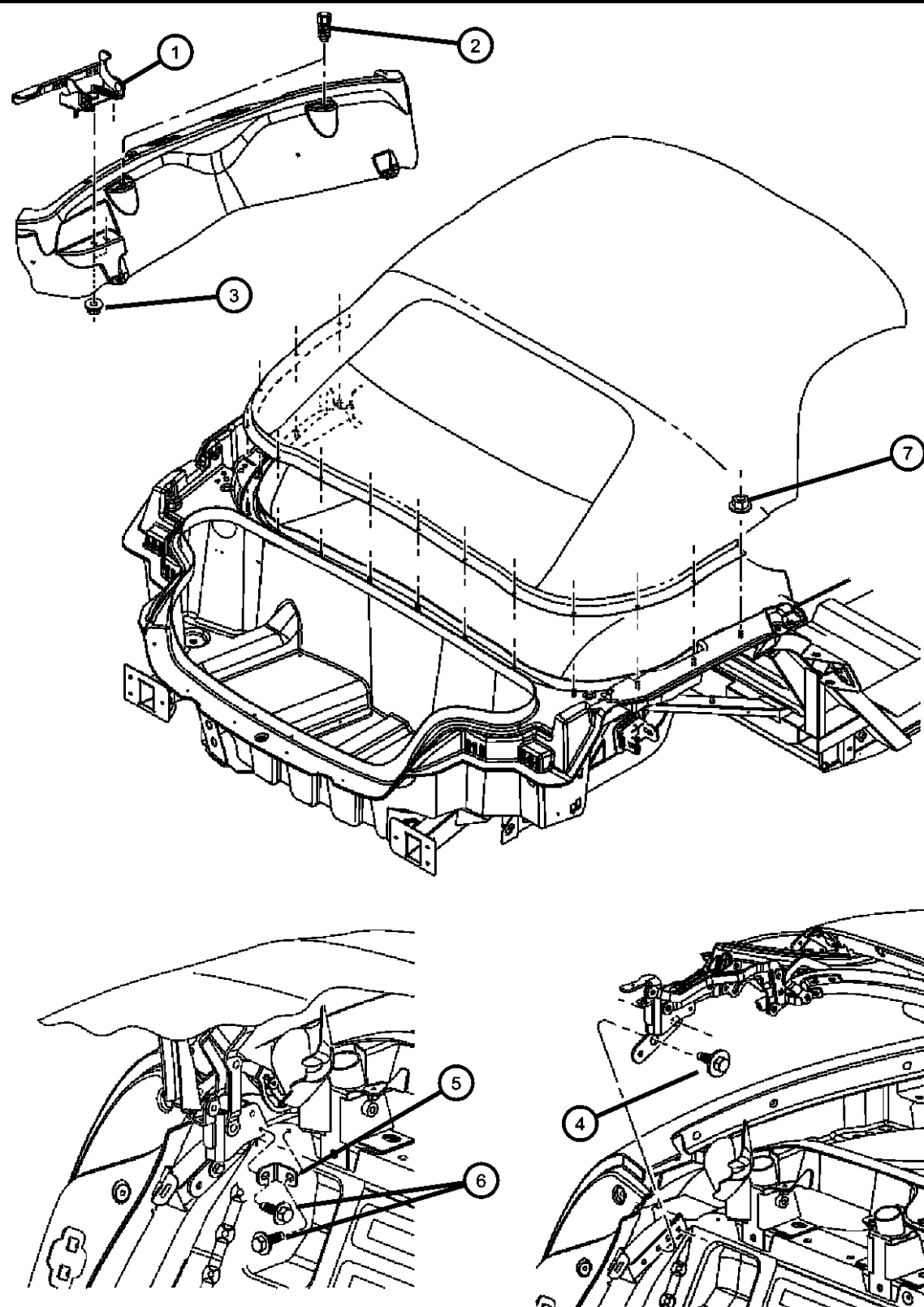
ENGINE  
EWC = Engine - 8.3L V10 SFI

TRANSMISSION  
DEC = 6 Speed Manual  
DBB = All Manual Transmissions

AR = use ase required - = Non illustrated part

2005 ZB

Folding Top - Attaching Parts  
Figure SZB-1115



ITEM	PART NUMBER	QTY	LINE	SERIES	BODY	ENGINE	TRANS	TRIM	DESCRIPTION
1	04865936AD	1							LATCH AND BASE, Folding Top
2	05256749	2							BUMPER, Deck Lid Adjuster
3	06101968	2							NUT, M6x1.00
4	06503351	4							SCREW AND WASHER, Hex Head, M8x1.25x35, Folding Top Attaching
5	04854372AA	2							BRACKET, Convertible Top Pivot
6	06102050AA	4							SCREW, Hex Flange Head, M6.3 x 1.81 x 15.00, Bracket Attaching
7	06102238AA	14							NUT, M6x1

VIPER (ZB)

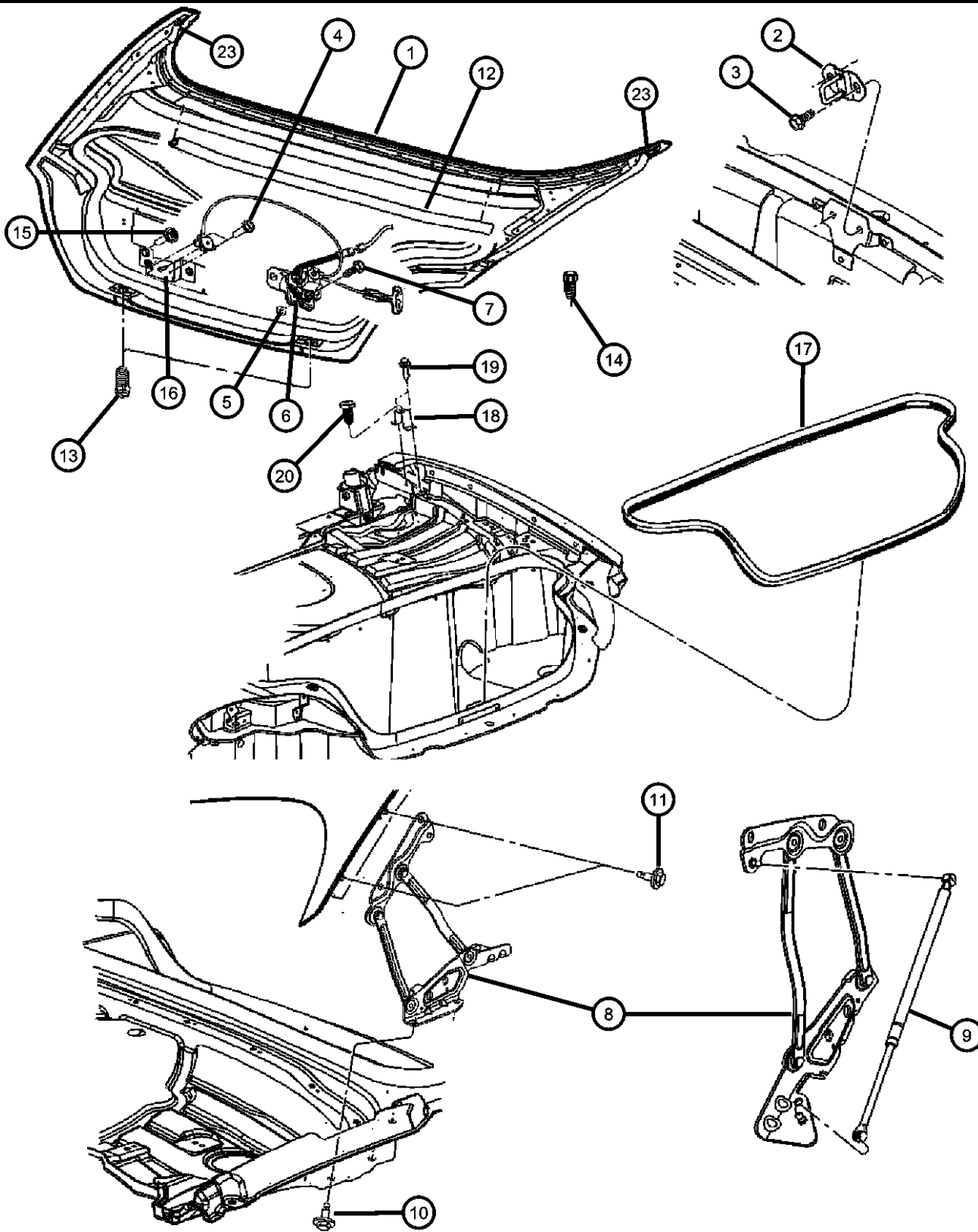
SERIES	LINE	BODY	ENGINE	TRANSMISSION
S = SRT-10	D = DODGE	27 = 2-DR CONVERTIBLE	EWC = Engine - 8.3L V10 SFI	DEC = 6 Speed Manual
X = Coupe		29 = SPECIALTY COUPE		DBB = All Manual Transmissions

AR = use ase required - = Non illustrated part

2005 ZB



Deck Lid  
Figure SZB-1320



ITEM	PART NUMBER	QTY	LINE	SERIES	BODY	ENGINE	TRANS	TRIM	DESCRIPTION
Note: Sales Code: [SDP] = Service Dealer Paint									
1	04865482AE	1							DECKLID, Service Dealer Painted
2	04763384AB	1							STRIKER, Backlite
3	06101651	2							SCREW, Hex Head, M6x1x16, Striker Attaching
4	06101651	2							RIVET, Blind Bulb, [.125x.445], (NOT SERVICED)
5	06100877	4							WASHER, Flat, M6, Decklid Latch
6	05029156AB	1							LATCH, Decklid, With Cable and Switch
7	06101718	2							SCREW AND WASHER, Oval Head, M6x1x25, Latch Attaching to Decklid
8									HINGE, Deck Lid
	04865618AB	1							Right
	04865619AB	1							Left
9	04865981AA	2							PROP, Deck Lid
10	06101636	6							SCREW AND WASHER, Hex Head, M8x1.25x25, Body to Decklid Hinge
11	06101636	6							SCREW AND WASHER, Hex Head, M8x1.25x25, Serviced in Assembly, (NOT SERVICED)
12	05029136AA	1							ISOLATOR, Decklid, Decklid to Convertible Top
13	05029232AA	2							BUMPER, Deck Lid Overslam, Rear
14	05256749	2							BUMPER, Deck Lid Adjuster
15	06035625	3							SCREW, [.190-16x.750]
16	04865876AA	1							BRACKET, Key Cylinder
17	05029349AC	1							WEATHERSTRIP, Decklid
18	05029210AA	2							BRACKET, Deck Lid Overslam
19	06034844	4							RIVET, Blind, .250x.375/.562, Overslam Bracket to Trunk Pan
20	04103165	2							BUMPER, Hood, Decklid Forward Overslam
-21	04103165	2							WATERDAM, Liftgate, (NOT SERVICED)
-22	04865778AA	1							BRACKET, Deck Lid Striker Mounting
23	05029766AA	2							DEFLECTOR, Air
-24	05029623AA	1							PLATE

VIPER (ZB)

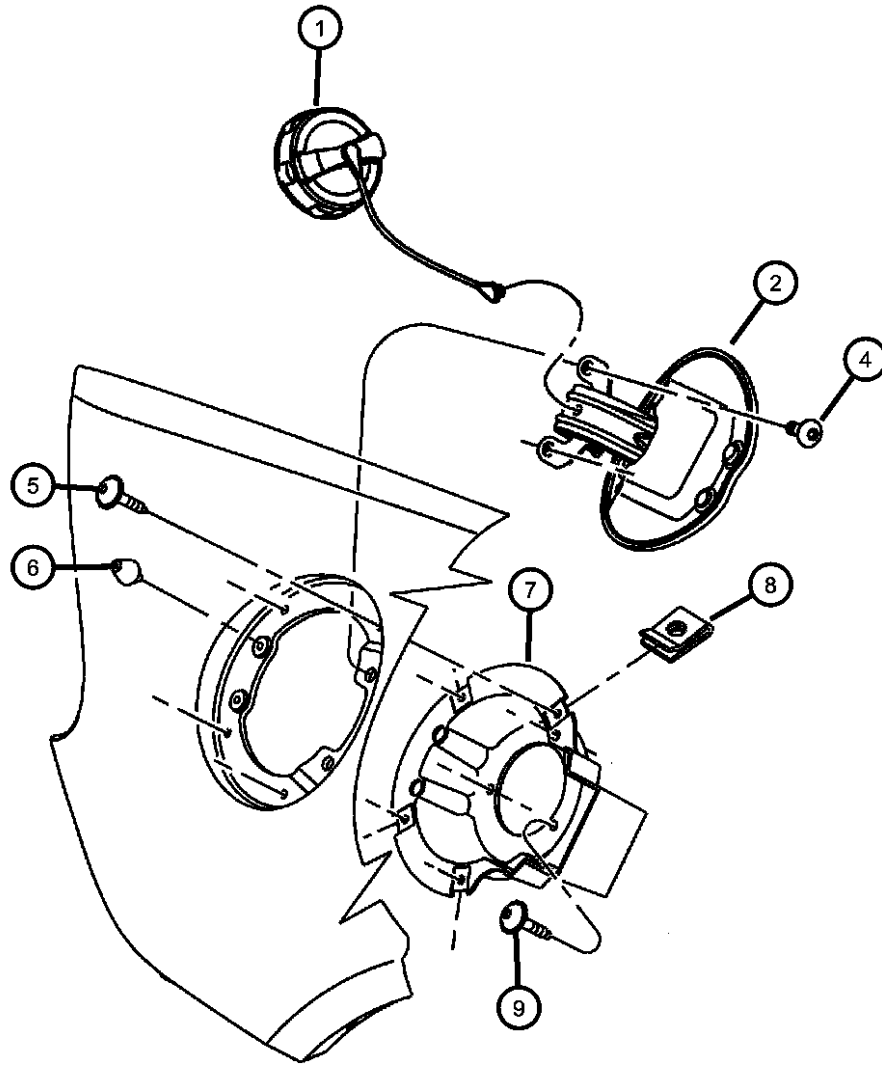
SERIES	LINE	BODY	ENGINE	TRANSMISSION
S = SRT-10	D = DODGE	27 = 2-DR CONVERTIBLE	EWC = Engine - 8.3L V10 SFI	DEC = 6 Speed Manual
X = Coupe		29 = SPECIALTY COUPE		DBB = All Manual Transmissions

AR = use ase required - = Non illustrated part

2005 ZB

Fuel Filler Door  
Figure SZB-1330

ITEM	PART NUMBER	QTY	LINE	SERIES	BODY	ENGINE	TRANS	TRIM	DESCRIPTION
1	05290145AC	1							CAP, Fuel Filler
2	04865738AB	1							DOOR, Fuel Fill
-3	05029816AA	1							RETAINER, Fuel Tank Filler Cap
4	06504791	2							SCREW, TAPPING, BUTTON HEAD, M6 X 1.00 X 18.00, Fuel Door to Quarter Panel
5	00153835	4							SCREW, .164-18x.625, Fuel Filler Housing Attach
6	05029238AA	2							BUMPER, Fuel Door
7	04865906AB	1							HOUSING, Fuel Filler
8	06036491AA	4							NUT, Spring U Type, For .164-18 Screw
9	00153634	3							SCREW, [.190-16x.750], Filler Tube Attaching



VIPER (ZB)

SERIES  
S = SRT-10  
X = Coupe

LINE  
D = DODGE

BODY  
27 = 2-DR CONVERTIBLE  
29 = SPECIALTY COUPE

ENGINE  
EWC = Engine - 8.3L V10 SFI  
TRANSMISSION  
DEC = 6 Speed Manual  
DBB = All Manual Transmissions

AR = use ase required - = Non illustrated part

2005 ZB

# Group - LBLS

## Labels All Vehicle Locations

### Group - LBLS Labels All Vehicle Locations

Illustration Title

Group-Fig. No.

#### Interior

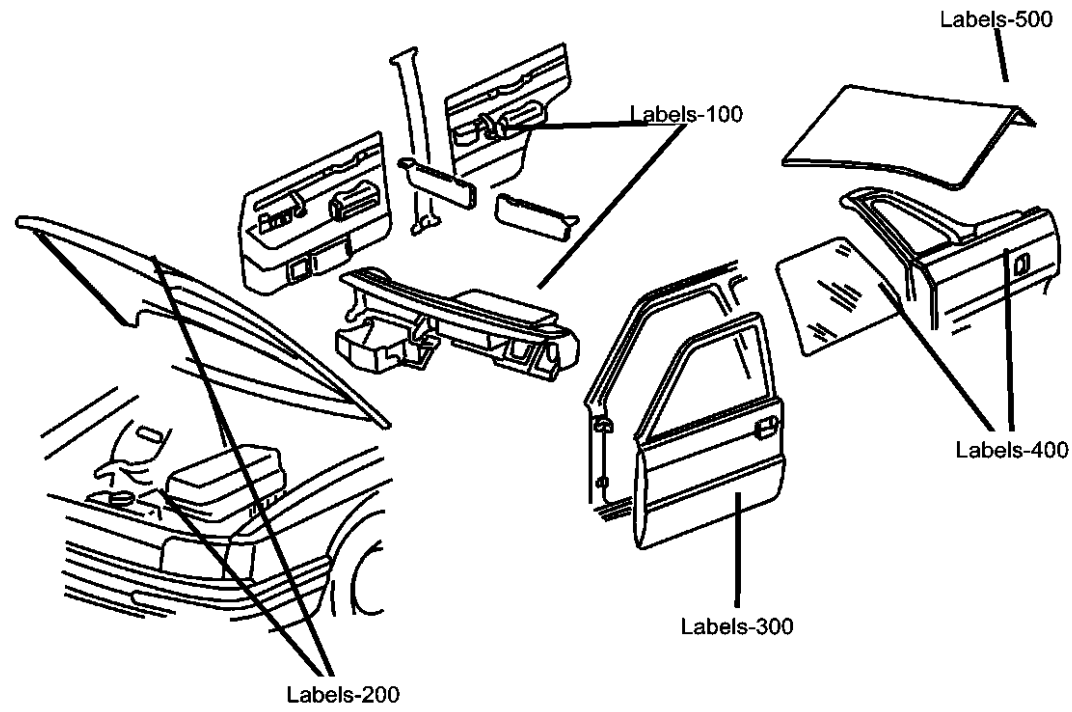
Instrument Panel, Visors and Trim..... Fig. LBLS - 110

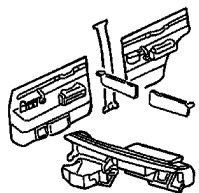
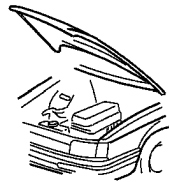

#### Under Hood

Engine Compartment ..... Fig. LBLS - 210

#### Doors

Doors and Pillars ..... Fig. LBLS - 310

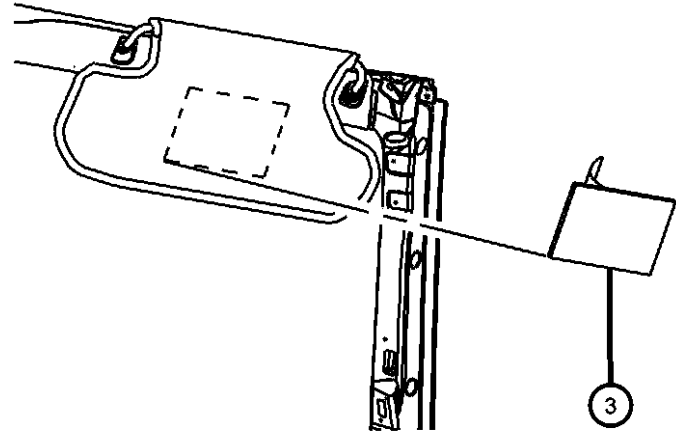


<p><b>LBLS-100</b> Interior</p> 	<p><b>LBLS-200</b> Under Hood</p> 	<p><b>LBLS-300</b> Doors</p> 	
---	---	--	--

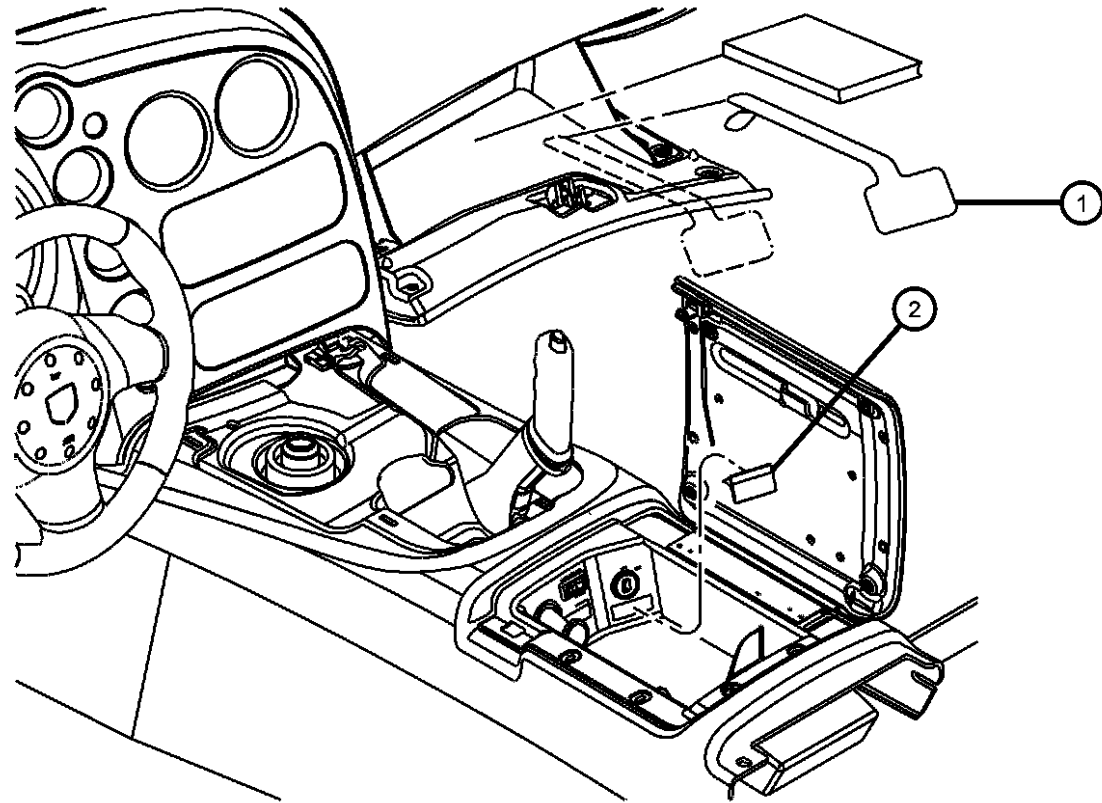
**Instrument Panel, Visors and Trim  
Figure LBLS-110**

ITEM	PART NUMBER	QTY	LINE	SERIES	BODY	ENGINE	TRANS	TRIM	DESCRIPTION
------	-------------	-----	------	--------	------	--------	-------	------	-------------

Note: Sales Code:  
[CGZ] = Air Bag On/Off Switch - Passenger



1									LABEL, Air Bag Warning, Removable
	04595748AA	1							English/French
	04595749AA	1							LABEL, Air Bag Warning, French [CGZ]
2	05029280AA	1							LABEL, Air Bag Warning, Visor
3	55350848AA	2							



**VIPER (ZB)**

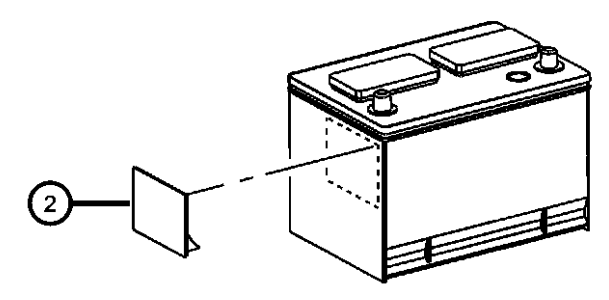
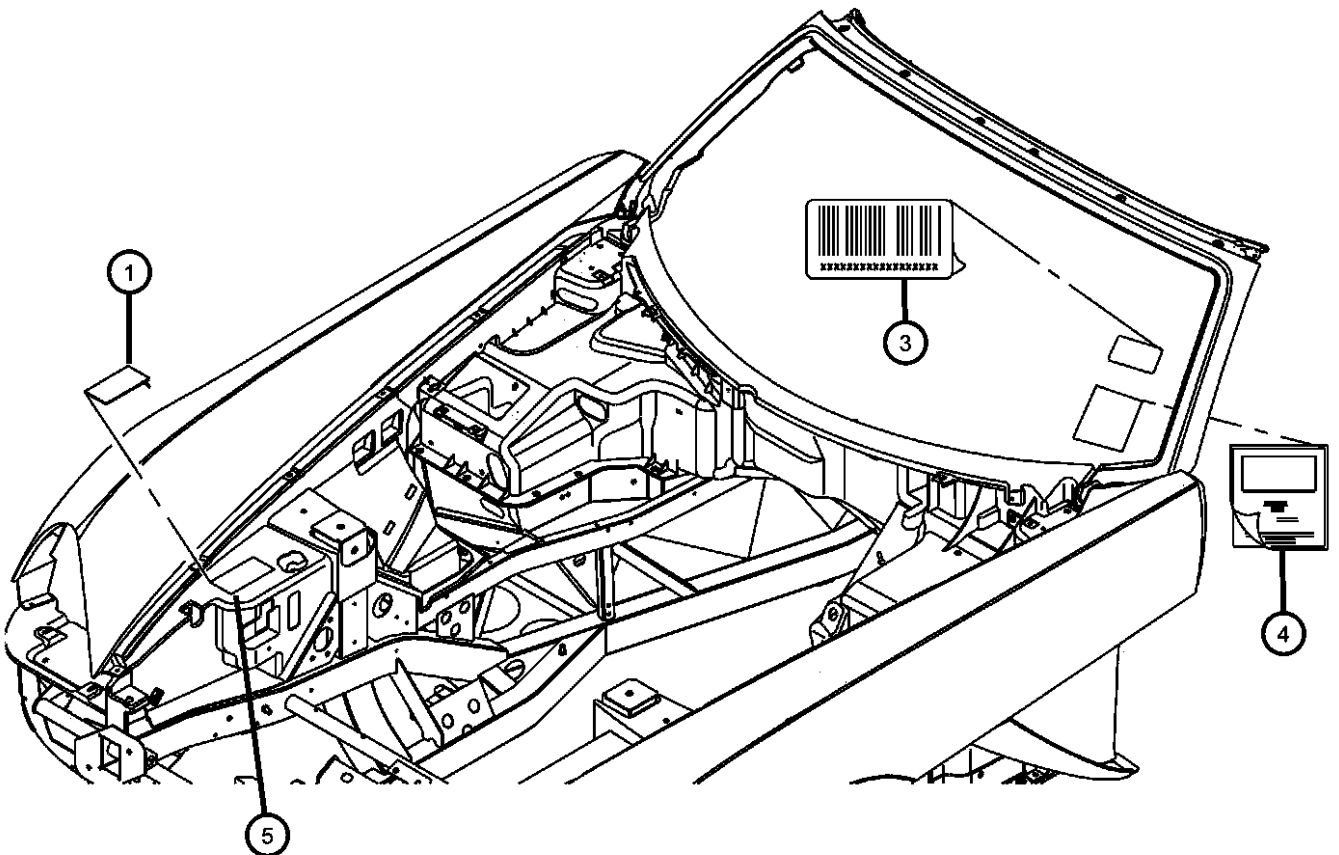
SERIES	LINE	BODY	ENGINE	TRANSMISSION
S = SRT-10	D = DODGE	27 = 2-DR CONVERTIBLE	EWC = Engine - 8.3L V10 SFI	DEC = 6 Speed Manual
X = Coupe		29 = SPECIALTY COUPE		DBB = All Manual Transmissions

AR = use ase required - = Non illustrated part

2005 ZB

**Engine Compartment  
Figure LBL5-210**

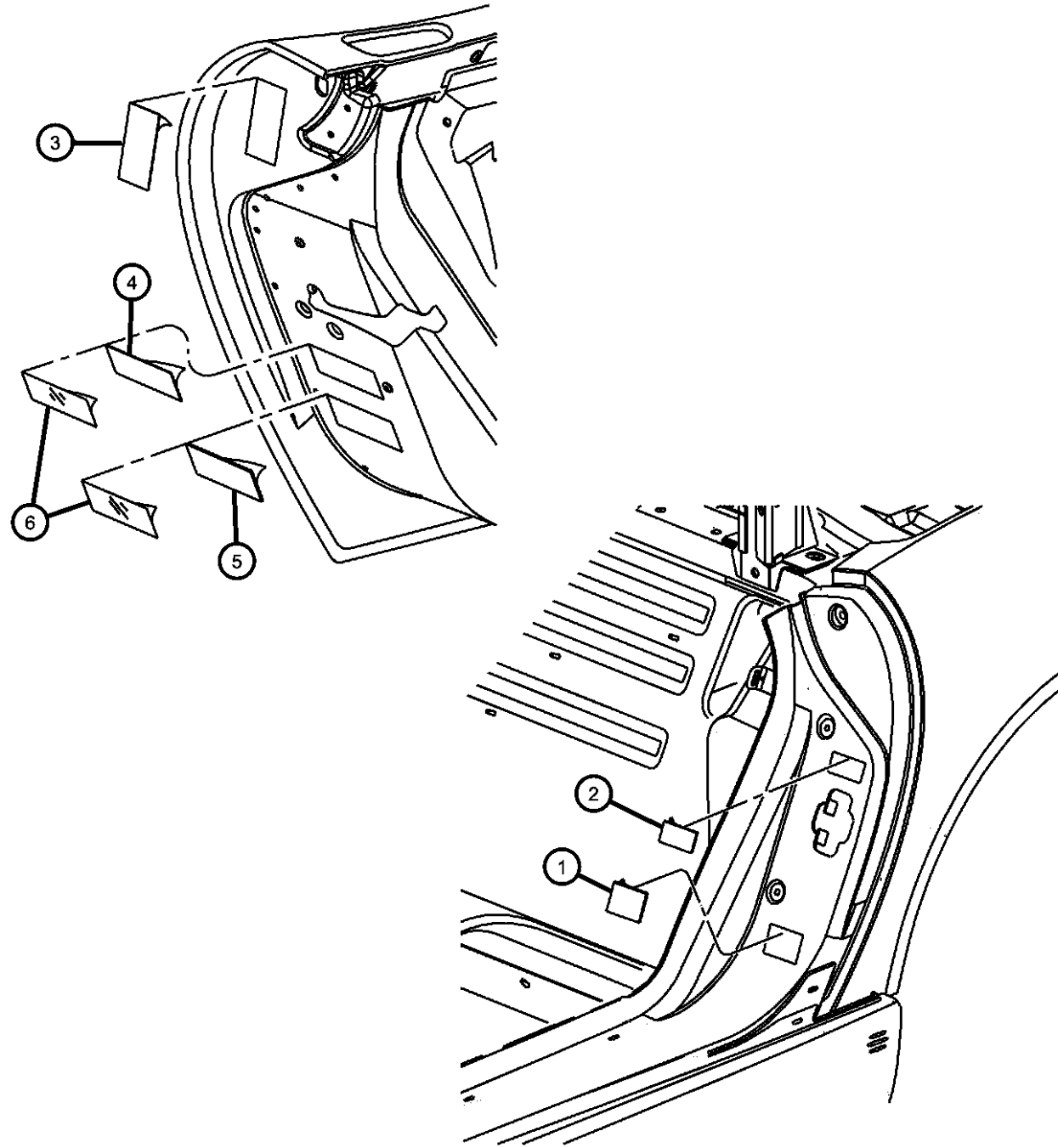
ITEM	PART NUMBER	QTY	LINE	SERIES	BODY	ENGINE	TRANS	TRIM	DESCRIPTION
1	05037995AB	1							LABEL, Belt Routing, English Only
2	04848923AA	1							LABEL, Battery, English/French
3	04848923AA	1							LABEL, VIN, Bar Code, (NOT SERVICED)
4	04848923AA	1							LABEL, Quality Assurance Test, (NOT SERVICED)
5	05037353AA	1							LABEL, Fan Caution
-6	05038202AA	1							LABEL, Emission



<b>VIPER (ZB)</b>				
SERIES	LINE	BODY	ENGINE	TRANSMISSION
S = SRT-10	D = DODGE	27 = 2-DR CONVERTIBLE	EWC = Engine - 8.3L V10 SFI	DEC = 6 Speed Manual
X = Coupe		29 = SPECIALTY COUPE		DBB = All Manual Transmissions

AR = use ase required - = Non illustrated part

Doors and Pillars  
Figure LBL5-310



ITEM	PART NUMBER	QTY	LINE	SERIES	BODY	ENGINE	TRANS	TRIM	DESCRIPTION
1									LABEL, Exhaust Warning
	04708021AB	2							
	04708337AB	2							Canada
2	04708022	2							LABEL, Warning Bar
3	04708022	2							LABEL, Tire Pressure, (NOT SERVICED)
4	04708022	2							LABEL, Certification, Canada Specifications, (NOT SERVICED)
5	04708022	2							LABEL, Certification, U.S. Specifications, (NOT SERVICED)
6	04040858	1							OVERLAY, Vehicle Certification

VIPER (ZB)

SERIES

S = SRT-10

X = Coupe

LINE

D = DODGE

BODY

27 = 2-DR CONVERTIBLE

29 = SPECIALTY COUPE

ENGINE

EWC = Engine - 8.3L V10 SFI

TRANSMISSION

DEC = 6 Speed Manual

DBB = All Manual Transmissions

AR = use ase required - = Non illustrated part

2005 ZB