

## VIN PLATE DECODING INFORMATION

<b>1</b>	<b>2</b>	<b>3</b>	<b>4</b>	<b>5</b>	<b>6</b>	<b>7</b>	<b>8</b>	<b>9</b>	<b>10</b>	<b>11</b>	<b>12 thru 17</b>
<b>Country</b>	<b>Make</b>	<b>Vehicle Type</b>	<b>Other</b>	<b>Line</b>	<b>Series</b>	<b>Body Style</b>	<b>Engine</b>	<b>Check Digit</b>	<b>Model Year</b>	<b>Assy. Plant</b>	<b>Sequence No.</b>

The following table interprets the VIN Plate position shown above.

Position	Interpretation	Codes = Description
1	Country of Origin	1 = Manufactured By DaimlerChrysler Corporation
2	Assembler	B = Dodge
3	Vehicle Type	3 = Passenger Car
4	GVWR & Pass. Safety	L = Restraint System Advanced Multistage Front Air Bags Sales Code (CG3) K = Restraint System Advanced Multistage Front Air Bags Sales Code (CG3)
5	Vehicle Line	Z = Viper (RWD) (LHD) U.S., Canada, Mexico, BUX
6	Series	6 = Viper SRT-10 Conv. D-S-27 U.S., Canada, Mexico 6 = Viper SRT-10 Conv. D-S-27 BUX Less Sales Code ABB * = Viper SRT-10 Conv. D-S-27 BUX With Sales Code ABB 6 = Viper SRT-10 Coupe D-S-29 U.S., Canada, Mexico
7	Body Style	9 = 2DR Specialty Coupe Body Style - 29 5 = 2DR Convertible Body Style - 27
8	Engine	Z = 8.4L V10 CYL Gasoline SFI (EWE)
9	Check Digit	0 = Check Digit
10	Model Year	8 = 2008 Model Year
11	Assembly Plant	V = Conner Avenue Assembly
12 thru 17	Vehicle Build Sequence	Model Year Assembly Sequence

# Group - 2

## Front Suspension

### Group - 2 Front Suspension

Illustration Title

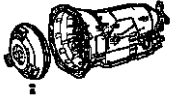
Group-Fig. No.

#### Front Suspension, Strut and Cradle

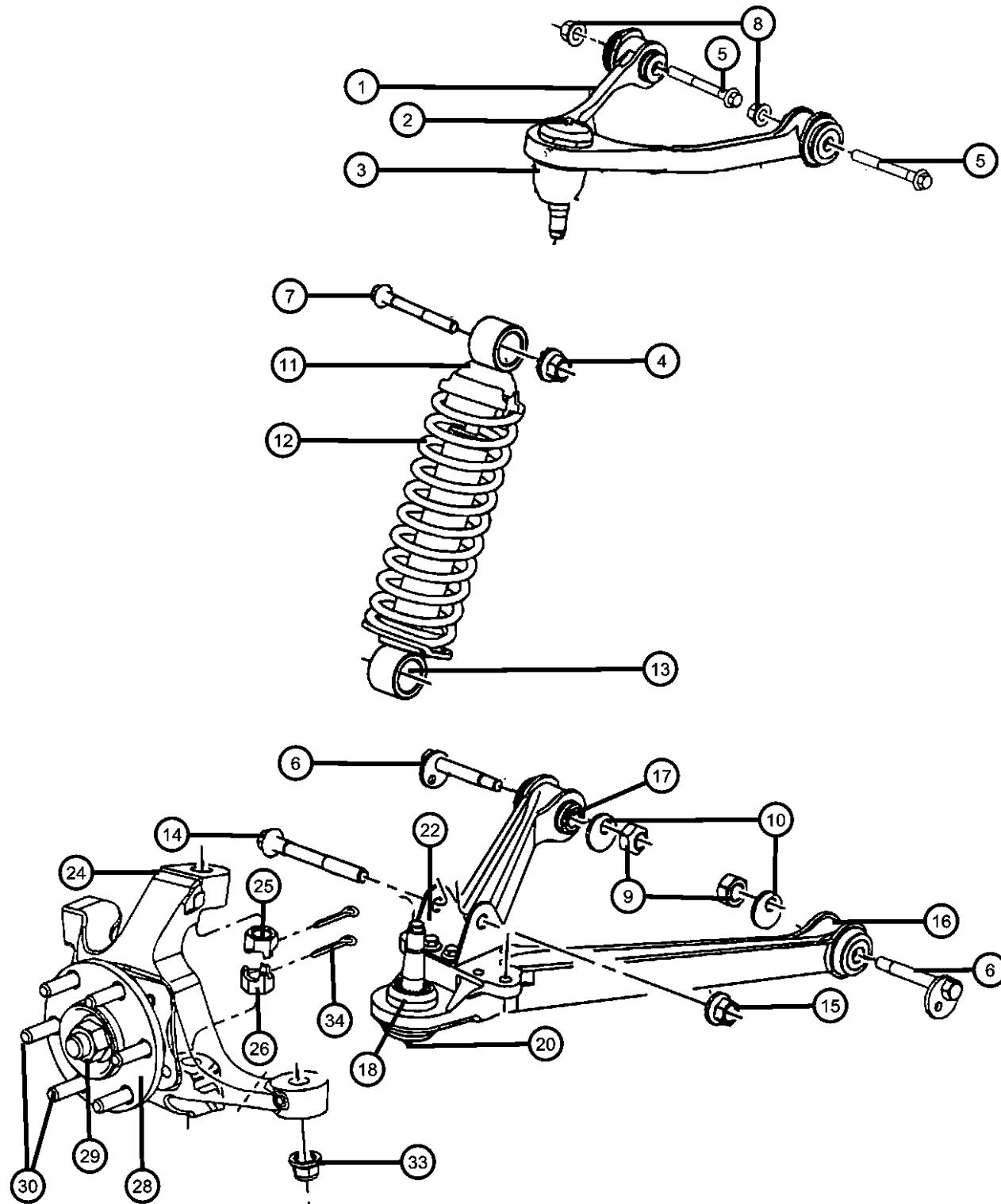
Suspension, Front..... Fig. 2 - 105

#### Front Stabilizer Bar

Stabilizer Bar, Front..... Fig. 2 - 204

<p><b>002-100</b> Front Suspension, Strut and Cradle</p> 	<p><b>002-200</b> Front Stabilizer Bar</p>		
--	--	--	--

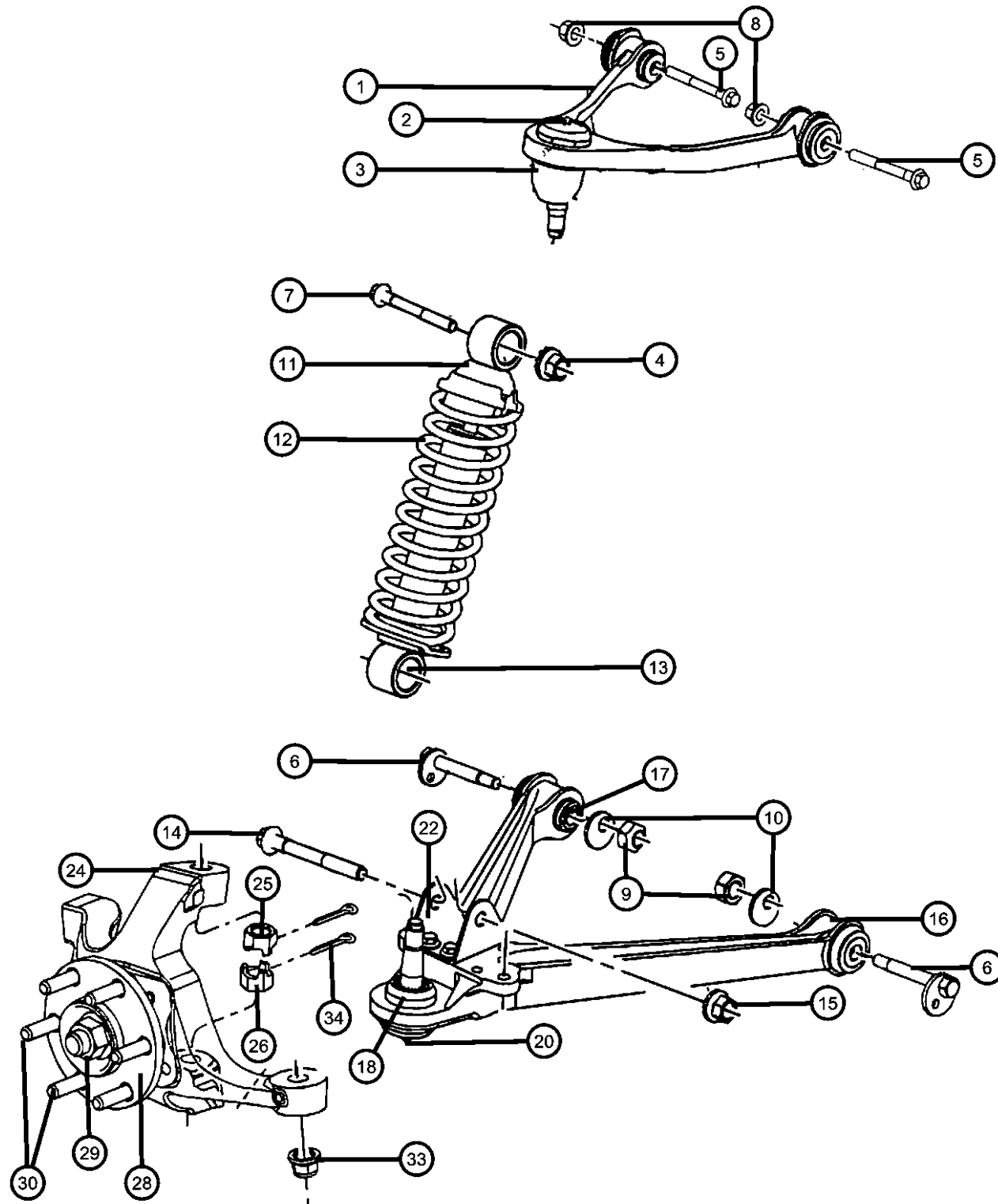
Suspension, Front  
Figure 2-105



ITEM	PART NUMBER	QTY	LINE	SERIES	BODY	ENGINE	TRANS	TRIM	DESCRIPTION
NOTE: Sales Codes [SDE] = Sport Suspension									
1									ARM, Control
	05290276AB	1	D		27, 29				Right
	05290277AB	1	D		27, 29				Left
2	06030099	2	D		27, 29				FITTING, Ball Joint, Zirc
3	52006405	2	D		27, 29				SEAL, Ball Joint
4	06502698	2	D		27, 29				NUT, Hex Flange Lock, M14x2.00
5	06502046	4	D		27, 29				BOLT, Suspension Upper Arm
6	06036525AA	4	D		27, 29				BOLT, Control Arm Cam
7	06504189	2	D		27, 29				SCREW
8	06502698	4	D		27, 29				NUT, Hex Flange Lock, M14x2.00
9	06036467AA	4	D		27, 29				NUT, Hex Lock, .50-20
10	06036469AA	4	D		27, 29				WASHER, Control Arm
11									SHOCK ABSORBER, Suspension
	05181425AA	2	D		27, 29				[SDK]
	05181432AA	2	D		27, 29				[SDE]
12	05181439AA	2	D		27, 29				SPRING, Front Coil
13	05290233AA	4	D		27, 29				BUSHING, [SDE]
14	06100969	2	D		27, 29				BOLT, Hex Flange Head, M14x2.00x90
15	06502698	4	D		27, 29				NUT, Hex Flange Lock, M14x2.00
16									ARM, Control
	05290690AB	1	D		27, 29				Right
	05290691AB	1	D		27, 29				Left
17	04848050	2	D		27, 29				BUSHING, Control Arm
18	04848050	2							BALL JOINT, Lower Control Arm, Serviced with Control Arm, (NOT SERVICED)
-19	04848173	1	D		27, 29				GASKET
20	06030099	2	D		27, 29				FITTING, Ball Joint, Zirc
-21	52006404	1	D		27, 29				SEAL, Ball Joint
22									BRACKET, Shock Mounting
	04709298	1	D		27, 29				Right
	04709299	1	D		27, 29				Left
-23	06101696	3	D		27, 29				NUT, Hex Flange Lock, M10x1.50, Control Arm Assy
24									KNUCKLE, Front
	05290030AC	1	D		27, 29				Right

**VIPER (ZB)**  
 SERIES LINE BODY ENGINE TRANSMISSION  
 S = SPORT D = DODGE 29 = SPECIALTY COUPE EWE = 8.4L V10 SFI Engine DEC = 6-Speed Manual Transmission  
 X = SPECIAL 27 = 2-DR CONVERTIBLE

Suspension, Front  
Figure 2-105



ITEM	PART NUMBER	QTY	LINE	SERIES	BODY	ENGINE	TRANS	TRIM	DESCRIPTION
	05290031AC	1	D		27, 29				Left
25	06035641	2	D		27, 29				NUT, Hex, .625-18
26	06035670	4	D		27, 29				NUT, Hex
-27	04848166	1	D		27, 29				GASKET, Front Wheel Bearing
28	04763182AB	1	D		27, 29				BEARING
29	06502294	2	D		27, 29				NUT, Hex Flange, M22x1.25
30	06033702	6	D		27, 29				STUD, Hub
-31	06502136	4	D		27, 29				BOLT, Hex Flange Head, M10x1.50x55
-32	05290695AA	1	D		27, 29				SEAL
33	06506557AA	2	D		27, 29				NUT & WASHER, Hex Lock, M14x1.50, Tie Rod Attach
34	00120123	4	D		27, 29				PIN, Cotter

VIPER (ZB)

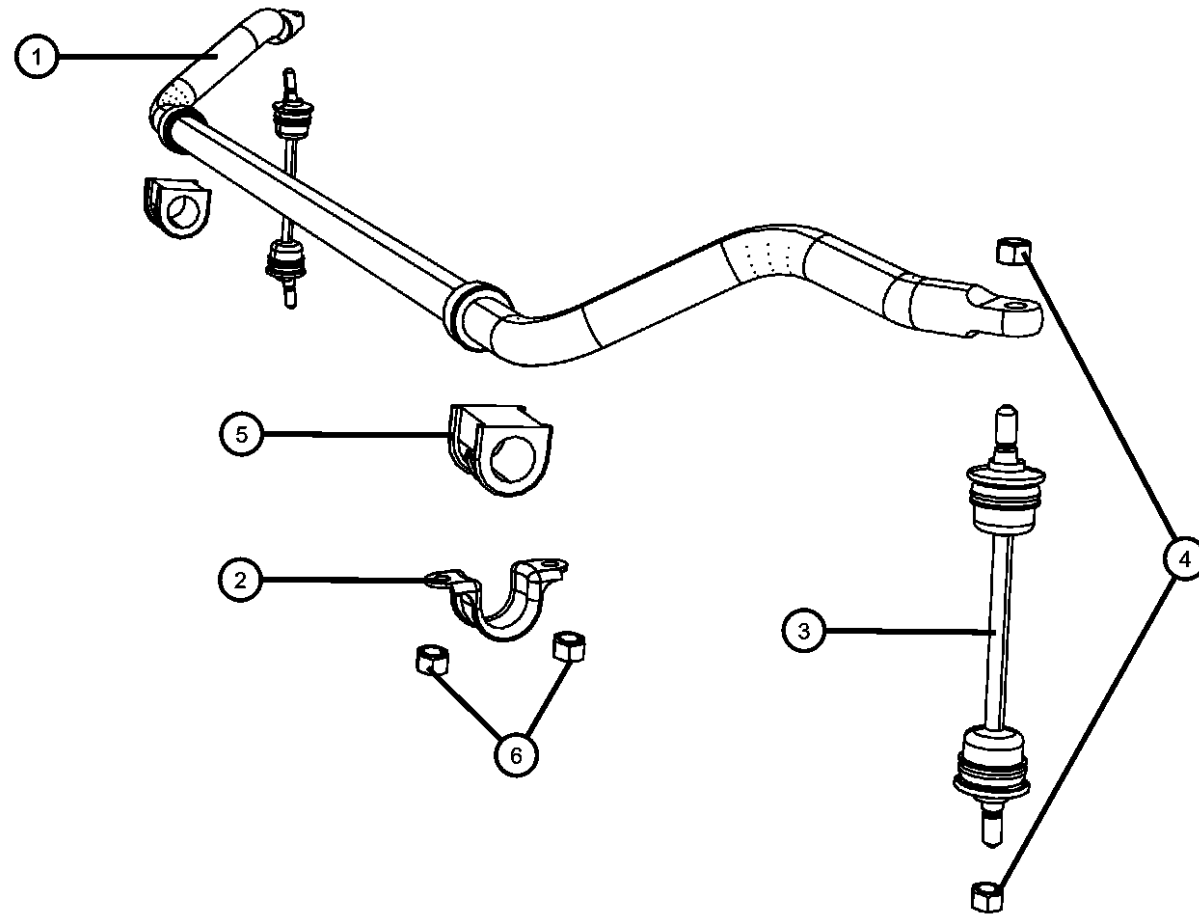
SERIES	LINE	BODY	ENGINE	TRANSMISSION
S = SPORT	D = DODGE	29 = SPECIALTY COUPE	EWE = 8.4L V10 SFI Engine	DEC = 6-Speed Manual Transmission
X = SPECIAL		27 = 2-DR CONVERTIBLE		

AR = use ase required - = Non illustrated part

2008 ZB

**Stabilizer Bar, Front**  
**Figure 2-204**

ITEM	PART NUMBER	QTY	LINE	SERIES	BODY	ENGINE	TRANS	TRIM	DESCRIPTION
1	05290035AB	1	D		27, 29				STABILIZER BAR, Front
2	04404219AB	2	D		27, 29				RETAINER, Stabilizer Bar Grommet
3	04763147	2	D		27, 29				LINK, Sway Eliminator
4	06100219	2	D		27, 29				NUT, Hex Jam, M10x1.5
5	04643004	2	D		27, 29				BUSHING, Stabilizer Bar
6	06100219	2	D		27, 29				NUT, Hex Jam, M10x1.5



**VIPER (ZB)**

SERIES	LINE	BODY	ENGINE	TRANSMISSION
S = SPORT	D = DODGE	29 = SPECIALTY COUPE	EWE = 8.4L V10 SFI Engine	DEC = 6-Speed Manual Transmission
X = SPECIAL		27 = 2-DR CONVERTIBLE		

AR = use ase required - = Non illustrated part

# Group - 3

## Rear Wheel Drive; Differential and Drive Line

### Group - 3 Rear Wheel Drive; Differential and Drive Line

Illustration Title

Group-Fig. No.

#### Drive Shaft

Shaft, Drive ..... Fig. 3 - 601

#### Rear Axle Assembly

Axle Assembly..... Fig. 3 - 705

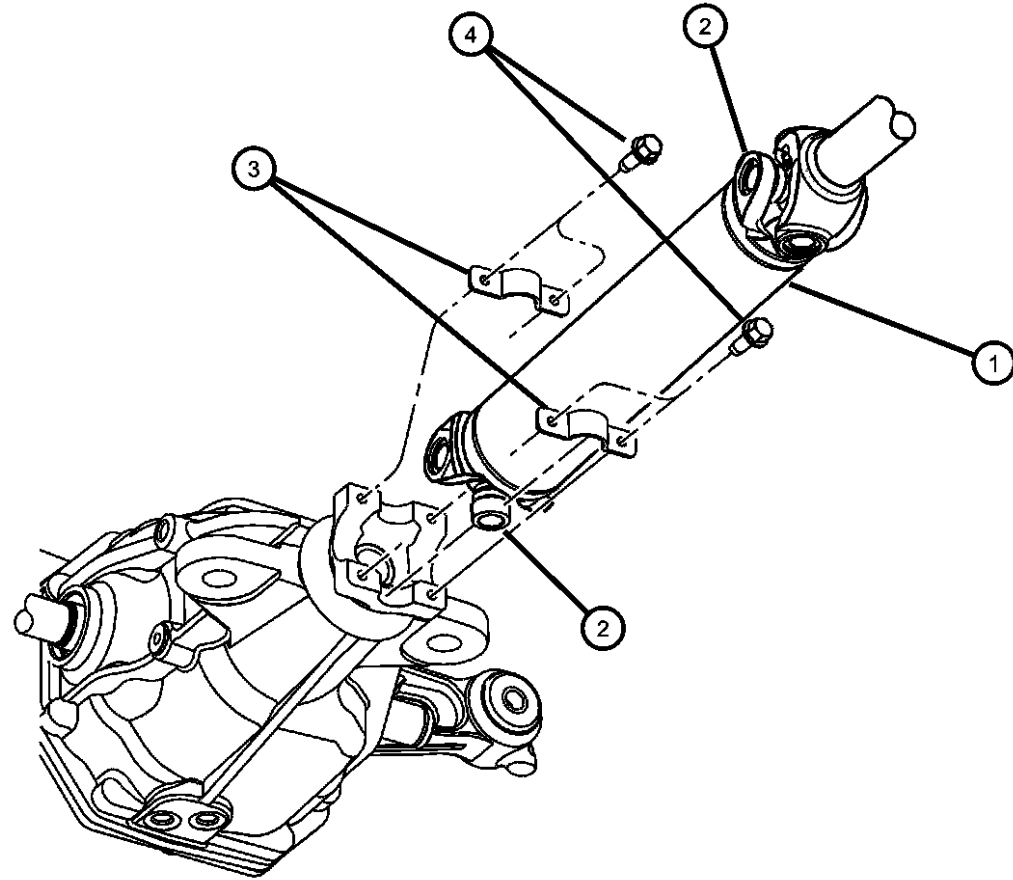
#### Rear Axle Shafts

Shafts,Rear,Axle ..... Fig. 3 - 905

<b>003-600</b> Drive Shaft	<b>003-700</b> Rear Axle Assembly	<b>003-900</b> Rear Axle Shafts	
-------------------------------	--------------------------------------	------------------------------------	--

Shaft, Drive  
Figure 3-601

ITEM	PART NUMBER	QTY	LINE	SERIES	BODY	ENGINE	TRANS	TRIM	DESCRIPTION
1	05037990AA	1	D		27, 29				SHAFT, Drive
2	04797307AB v8017307aa	1	D		27, 29				U-JOINT Mopar Alternative Universal Joint
3	04428723	2	D		27, 29				CLAMP, U-Joint
4	06502581	4	D		27, 29				BOLT, Hex Flange Head, M8x1.0x19



VIPER (ZB)

SERIES  
S = SPORT  
X = SPECIAL

LINE  
D = DODGE

BODY  
29 = SPECIALTY COUPE  
27 = 2-DR CONVERTIBLE

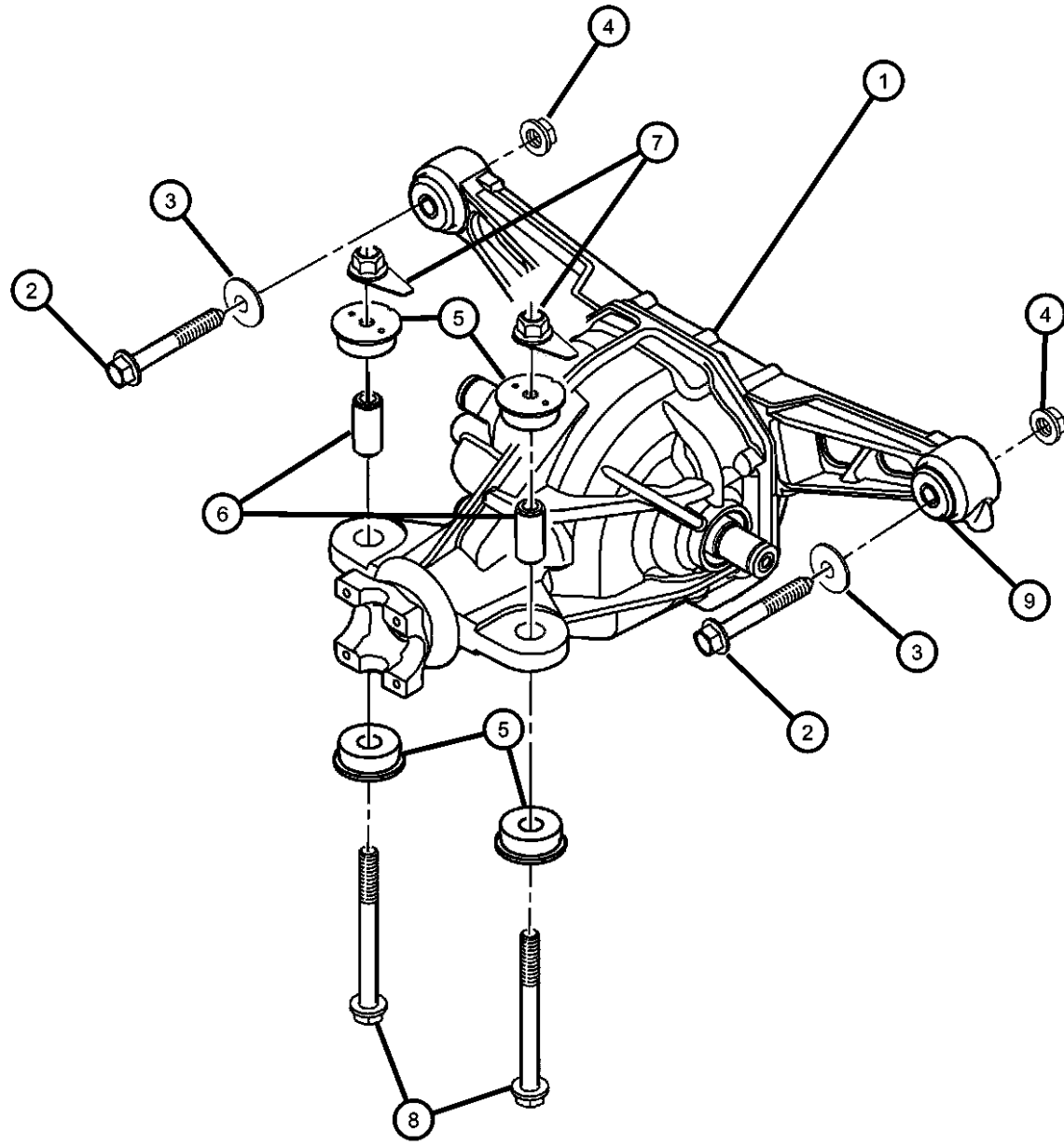
ENGINE  
EWE = 8.4L V10 SFI Engine

TRANSMISSION  
DEC = 6-Speed Manual Transmission

AR = use ase required - = Non illustrated part

2008 ZB

**Axle Assembly  
Figure 3-705**



ITEM	PART NUMBER	QTY	LINE	SERIES	BODY	ENGINE	TRANS	TRIM	DESCRIPTION
1	05038307AB	1	D		27, 29				DIFFERENTIAL, Rear Axle
2	06102404AA	2	D		27, 29				BOLT, Hex Head
3	06506890AA	2	D		27, 29				WASHER, Flat
4	06100520	2	D		27, 29				NUT, Hex Flange Head Locking, M14x2
5	05037261AA	4	D		27, 29				BUSHING, Differential Pinion Mounting
6	05037260AA	2	D		27, 29				BUSHING, Axle Mount
7	06504065	2	D		27, 29				NUT AND RETAINER, Hex Flange Locking, M12x1.75
8	06502046	2	D		27, 29				BOLT, Suspension Upper Arm
9	05037260AA	2	D		27, 29				BUSHING, Axle Mount

**VIPER (ZB)**

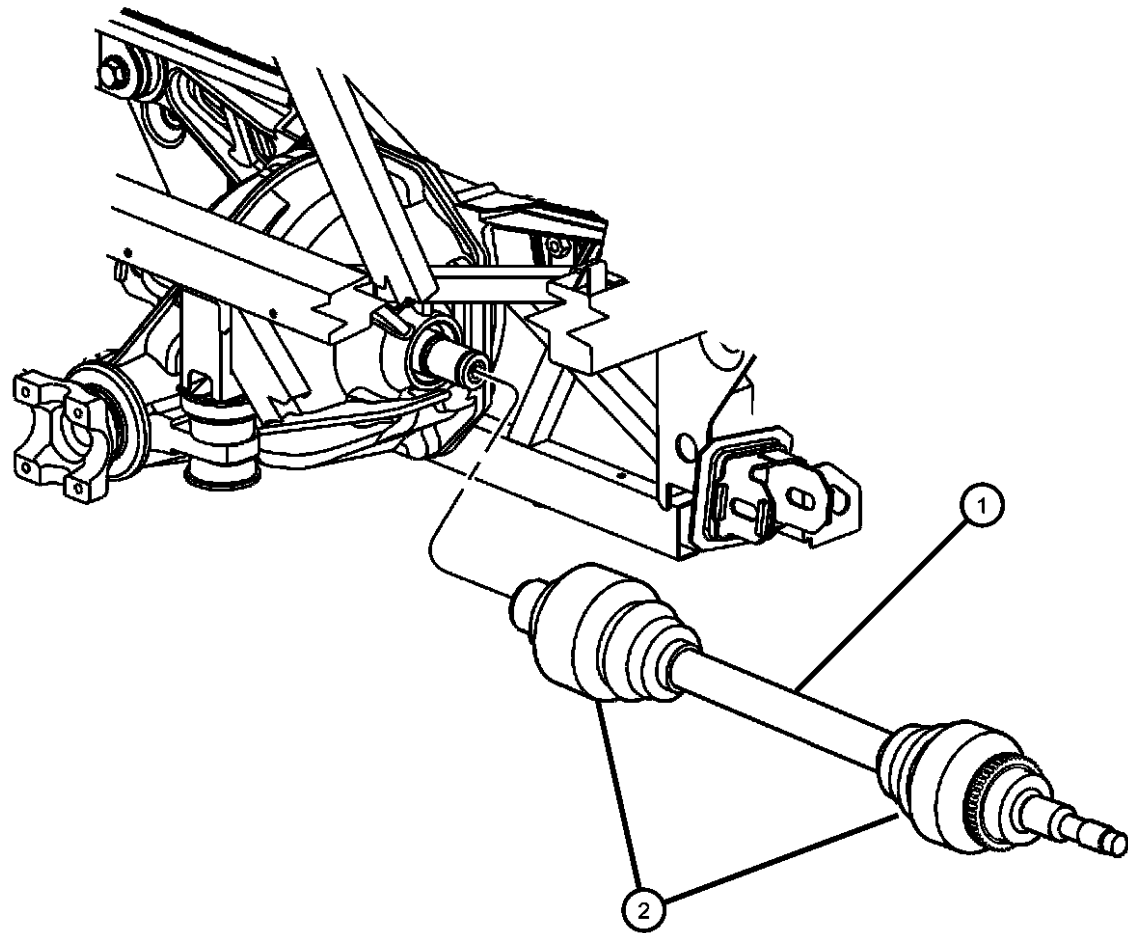
SERIES	LINE	BODY	ENGINE	TRANSMISSION
S = SPORT	D = DODGE	29 = SPECIALTY COUPE	EWE = 8.4L V10 SFI Engine	DEC = 6-Speed Manual Transmission
X = SPECIAL		27 = 2-DR CONVERTIBLE		

AR = use ase required - = Non illustrated part



Shafts,Rear,Axle  
Figure 3-905

ITEM	PART NUMBER	QTY	LINE	SERIES	BODY	ENGINE	TRANS	TRIM	DESCRIPTION
1	05038200AA	2	D		27, 29				SHAFT, Axle Half
2	05038200AA	2							BOOT KIT, Half Shaft, (NOT SERVICED)



VIPER (ZB)

SERIES

S = SPORT  
X = SPECIAL

LINE

D = DODGE

BODY

29 = SPECIALTY COUPE  
27 = 2-DR CONVERTIBLE

ENGINE

EWE = 8.4L V10 SFI Engine

TRANSMISSION

DEC = 6-Speed Manual Transmission

AR = use ase required - = Non illustrated part

2008 ZB

# Group - 5

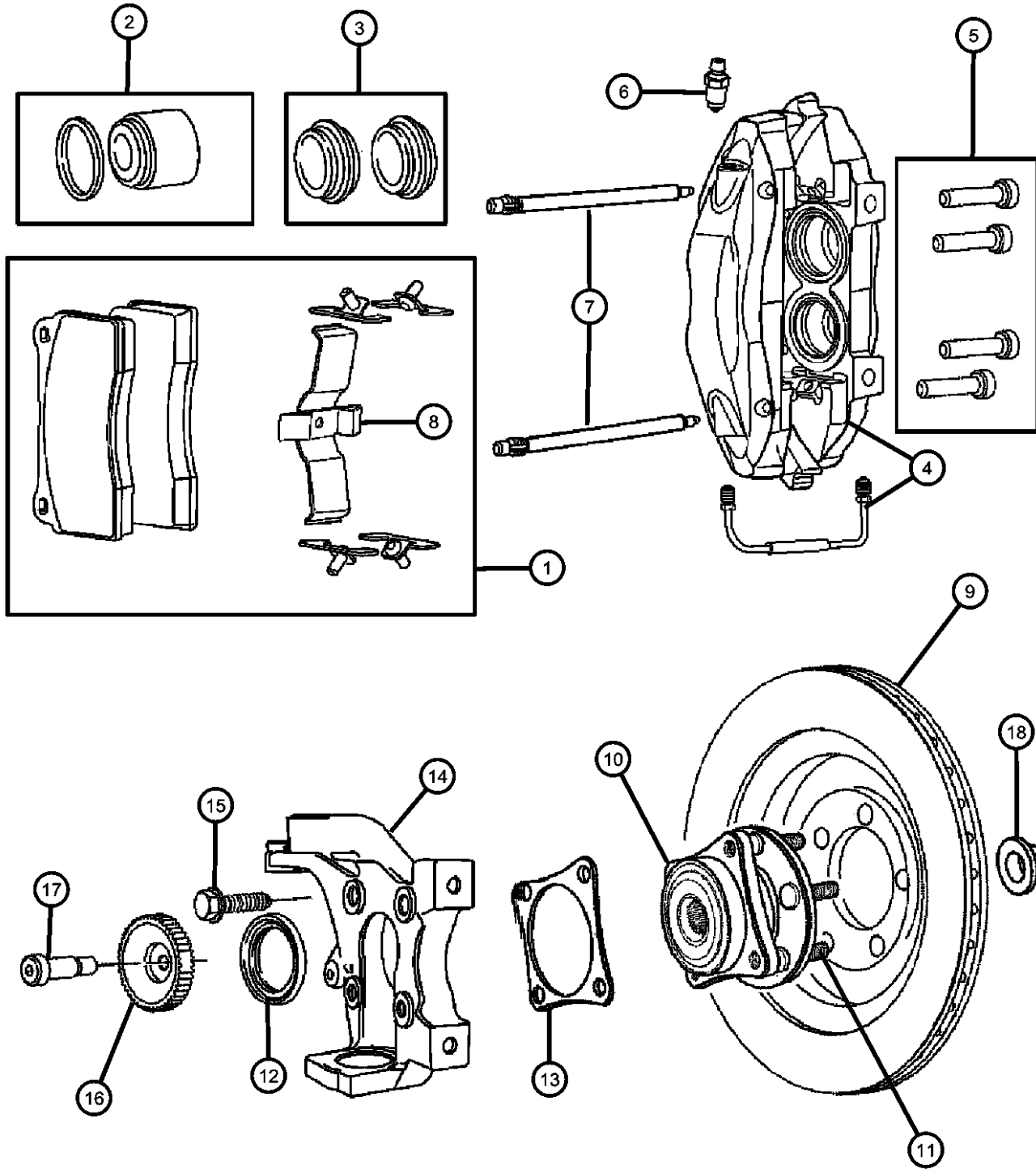
## Brakes

### Group - 5 Brakes

Illustration Title	Group-Fig. No.
<b>Front Brakes</b>	
Brakes,Front.....	Fig. 5 - 105
<b>Rear Brakes</b>	
Brakes, Rear, Disc.....	Fig. 5 - 205
<b>Power Brake Booster</b>	
Booster,Vacuum Power Brake.....	Fig. 5 - 305
<b>Brake Master Cylinder</b>	
Master Cylinder.....	Fig. 5 - 405
<b>Hydraulic Control Unit, Brake Tubes and Hoses</b>	
Brake Tubes,Front.....	Fig. 5 - 515
Brake Tubes,Rear.....	Fig. 5 - 520
<b>Brake Pedals</b>	
Pedal,Brake.....	Fig. 5 - 605
<b>Parking Brake Lever, Cables, and Rear Disc Park Brake Assembly</b>	
Park Brake Lever and Cables.....	Fig. 5 - 705
Park Brake Assembly,Rear Disc.....	Fig. 5 - 725

<b>005-100</b> Front Brakes	<b>005-200</b> Rear Brakes	<b>005-300</b> Power Brake Booster	<b>005-400</b> Brake Master Cylinder
<b>005-500</b> Hydraulic Control Unit, Brake Tubes and Hoses	<b>005-600</b> Brake Pedals	<b>005-700</b> Parking Brake Lever, Cables, and Rear Disc Park Brake Assembly	

**Brakes,Front**  
**Figure 5-105**



ITEM	PART NUMBER	QTY	LINE	SERIES	BODY	ENGINE	TRANS	TRIM	DESCRIPTION
1	05093291AA	1	D		27, 29				PAD KIT, Disc Brake
2	05093294AA	1	D		27, 29				PISTON KIT, Front Brake Contains: 2-44mm Pistons, with Seals
	05093295AA	1	D		27, 29				Contains: 2-40mm Pistons, with Seals
3	05093296AA	1	D		27, 29				BOOT KIT, Disc brake, Contains: 2-40mm Pistons, with Seals
4	05136152AA	1	D		27, 29				Less Pads, Right
	05136153AA	1	D		27, 29				Less Pads, Left
5	06507587AA	4	D		27, 29				SCREW, Cap, Caliper to Knuckle
6	05093297AA	1	D		27, 29				BLEEDER SCREW, Brake
7	05093302AA	1	D		27, 29				PIN KIT, Disc Brake
8	05093303AA	1	D		27, 29				CLIP, Brake Caliper
9	05290394AA	2	D		27, 29				ROTOR, Brake
10	04763182AB	1	D		27, 29				BEARING
11	06033702	6	D		27, 29				STUD, Hub
12	05290695AA	1	D		27, 29				SEAL
13	04848166	1	D		27, 29				GASKET, Front Wheel Bearing
14	05290030AC	1	D		27, 29				KNUCKLE, Front Right
	05290031AC	1	D		27, 29				Left
15	06502136	4	D		27, 29				BOLT, Hex Flange Head, M10x1.50x55
16	04854411AA	2	D		27, 29				RING, Tone
17	05290042AA	2	D		27, 29				BOLT
18	06502294	2	D		27, 29				NUT, Hex Flange, M22x1.25
-19	05290952AA	2	D		27, 29				SENSOR, Anti-Lock Brakes

**VIPER (ZB)**

SERIES  
S = SPORT  
X = SPECIAL

LINE  
D = DODGE

BODY  
29 = SPECIALTY COUPE  
27 = 2-DR CONVERTIBLE

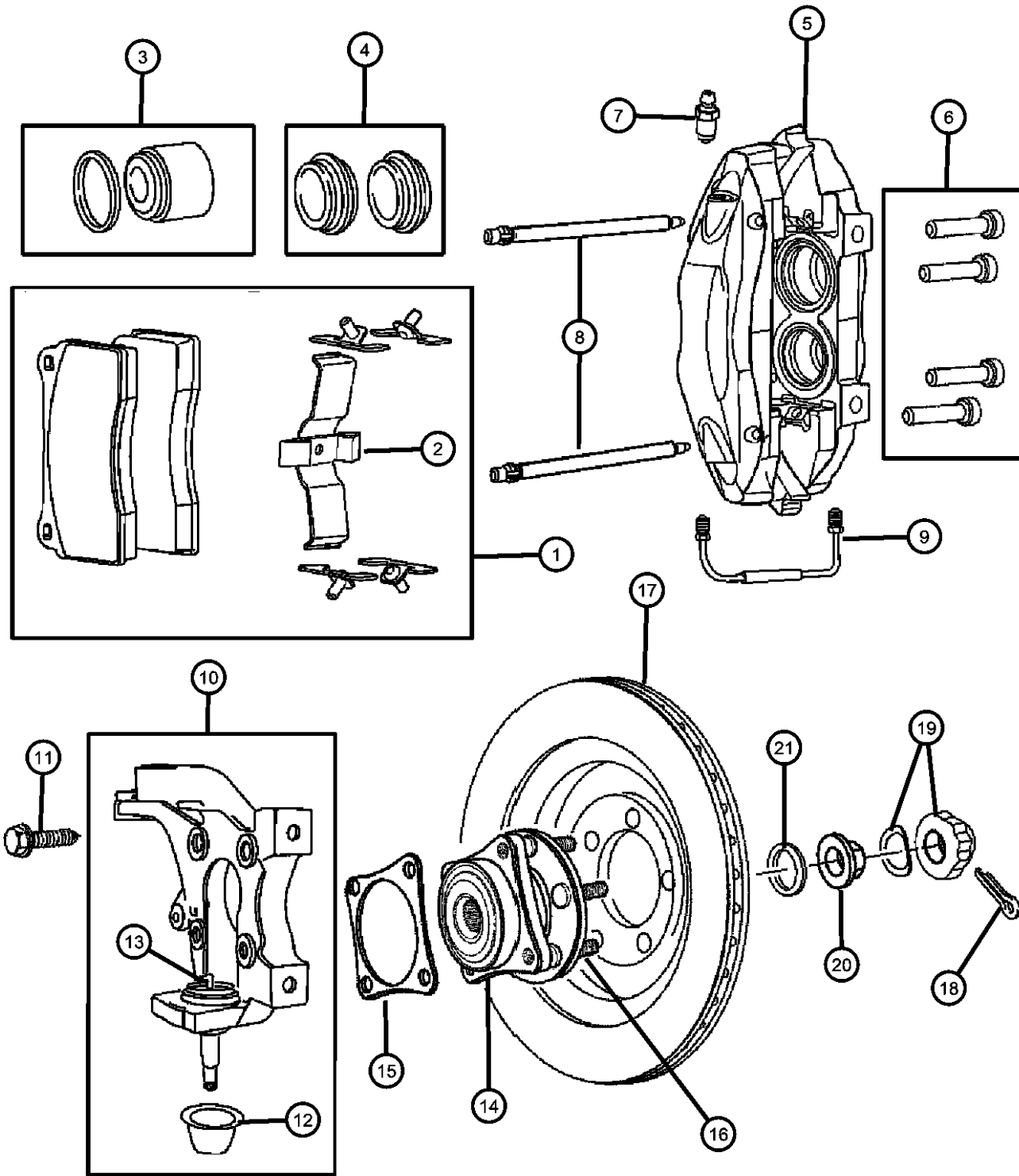
ENGINE  
EWE = 8.4L V10 SFI Engine

TRANSMISSION  
DEC = 6-Speed Manual Transmission

AR = use ase required - = Non illustrated part

2008 ZB

Brakes, Rear, Disc  
Figure 5-205



ITEM	PART NUMBER	QTY	LINE	SERIES	BODY	ENGINE	TRANS	TRIM	DESCRIPTION
1	05093291AA	1	D		27, 29				PAD KIT, Disc Brake
2	05093303AA	1	D		27, 29				CLIP, Brake Caliper
3	05093300AA	1	D		27, 29				PISTON KIT, Rear Brake
	05093301AA	1	D		27, 29				CONTAINS - 2-PISTONS(42MM DIA.), 2-BOOTS, 2-SEALS
4	05093299AA	1	D		27, 29				BOOT KIT, Disc brake
5	05136154AA	1	D		27, 29				CALIPER, Disc Brake
	05136155AA	1	D		27, 29				Right
6	06507587AA	4	D		27, 29				SCREW, Cap
7	05093297AA	1	D		27, 29				BLEEDER SCREW, Brake
8	05093302AA	1	D		27, 29				PIN KIT, Disc Brake
9	05093302AA	1							TUBE, Brake Caliper, (NOT SERVICED)
10	05134994AA	1	D		27, 29				KNUCKLE, Rear
	05134995AA	1	D		27, 29				Right
11	06035642	4	D		27, 29				SCREW AND WASHER, Hex Head Locking, .50-20x2.25 Grade 8
12	52006404	1	D		27, 29				SEAL, Ball Joint
13	06030099	1	D		27, 29				FITTING, Ball Joint, Zirc
14	04848716	1	D		27, 29				HUB AND BEARING, Brake
15	04848171	1	D		27, 29				GASKET
16	06033702	6	D		27, 29				STUD, Hub
17	05290393AA	2	D		27, 29				ROTOR, Brake
18	06500336	2	D		27, 29				PIN, Cotter, M5x36.00
19	04293167	2	D		27, 29				NUT AND WASHER PACKAGE
20	06502294	1	D		27, 29				NUT, Hex Flange, M22x1.25
21	06502293	2	D		27, 29				WASHER, Flat, M23x43x4
-22	05290248AA	2	D		27, 29				SENSOR, Anti-Lock Brakes

VIPER (ZB)

SERIES      LINE  
S = SPORT    D = DODGE  
X = SPECIAL

BODY  
29 = SPECIALTY COUPE  
27 = 2-DR CONVERTIBLE

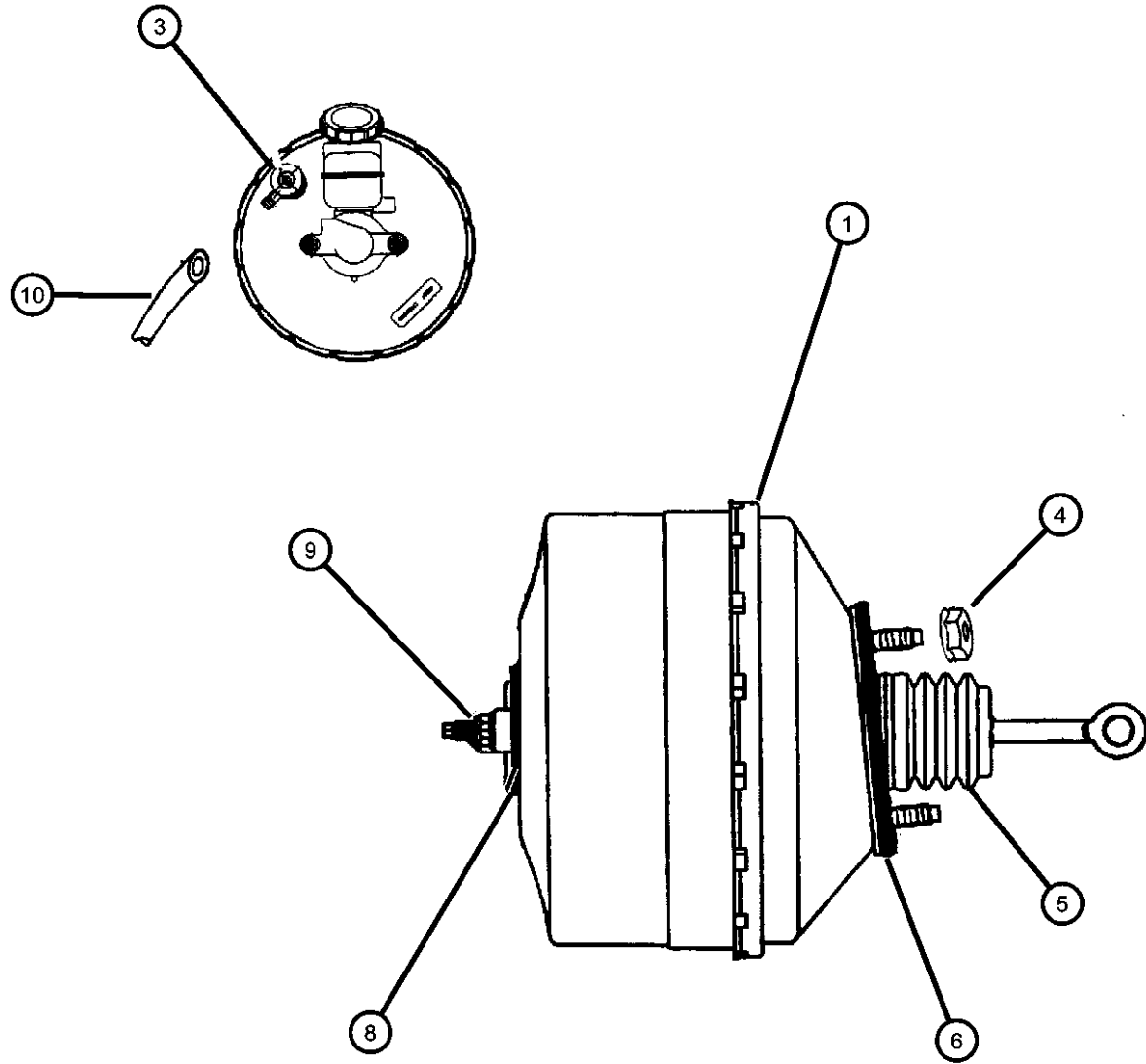
ENGINE  
EWE = 8.4L V10 SFI Engine

TRANSMISSION  
DEC = 6-Speed Manual Transmission

AR = use ase required - = Non illustrated part

**Booster, Vacuum Power Brake**  
**Figure 5-305**

ITEM	PART NUMBER	QTY	LINE	SERIES	BODY	ENGINE	TRANS	TRIM	DESCRIPTION
1	05093050AA	1	D		27, 29				BOOSTER, Power Brake
-2	04883813AA	1	D		27, 29				GROMMET, Brake Booster Check Valve
3	04485530	1	D		27, 29				CHECK VALVE, Brake Booster
4	J4003909	4	D		27, 29				NUT, Hex Flange With Serration
5	J4003909	4							BOOT, Brake Booster Push Rod, (NOT SERVICED)
6	04723642	1	D		27, 29				SEAL, Brake Booster To Dash
-7	04294036	1	D		27, 29				CLIP
8	04723395	1	D		27, 29				SEAL, Master Cylinder To Booster
9	04723395	1							NUT, Hex Lock, M8x1.25, (NOT SERVICED)
10	05030711AB	1	D		27, 29				HOSE, Brake Booster Vacuum
-11	06033369	2	D		27, 29				CLAMP, Hose

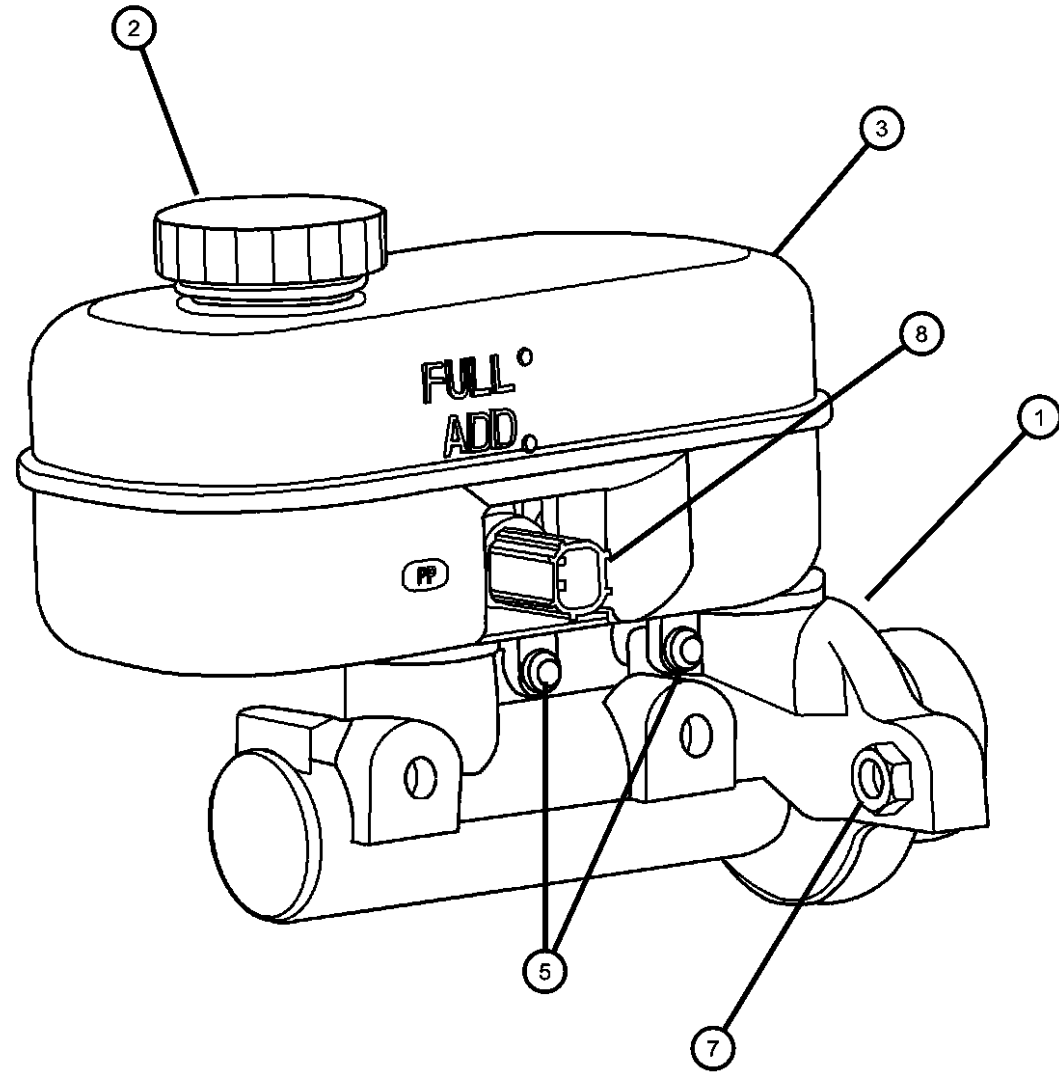


**VIPER (ZB)**

SERIES	LINE	BODY	ENGINE	TRANSMISSION
S = SPORT	D = DODGE	29 = SPECIALTY COUPE	EWE = 8.4L V10 SFI Engine	DEC = 6-Speed Manual Transmission
X = SPECIAL		27 = 2-DR CONVERTIBLE		

AR = use ase required - = Non illustrated part

**Master Cylinder  
Figure 5-405**



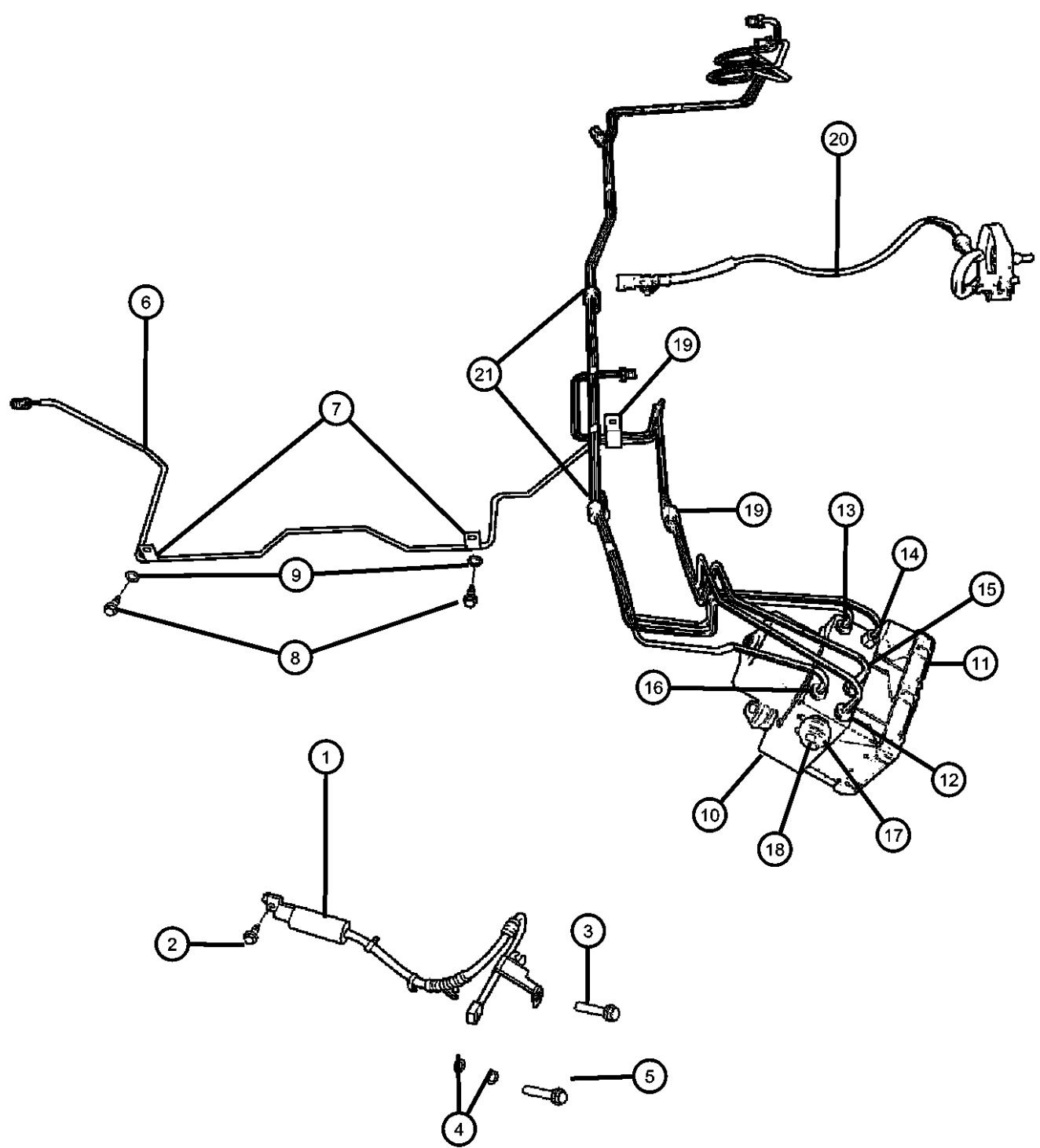
ITEM	PART NUMBER	QTY	LINE	SERIES	BODY	ENGINE	TRANS	TRIM	DESCRIPTION
1	05093049AA V1103049AA	1	D		27, 29				MASTER CYLINDER, Brake Mopar Alternative Part - Master Cylinder
2	04683656	1	D		27, 29				CAP, Master Cylinder Reservoir
3	05072995AA	1	D		27, 29				RESERVOIR, Brake Master Cylinder
-4	04723395	1	D		27, 29				SEAL, Master Cylinder To Booster
5	04723394	1	D		27, 29				PIN, Master Cylinder Reservoir
-6	04723389	1	D		27, 29				GROMMET, Master Cylinder Reservoir
7	04723389	1							NUT, Hex Lock, M8x1.25, (NOT SERVICED)
8	05093251AA	1	D		27, 29				SWITCH, Brake Fluid Level

**VIPER (ZB)**

SERIES	LINE	BODY	ENGINE	TRANSMISSION
S = SPORT X = SPECIAL	D = DODGE	29 = SPECIALTY COUPE 27 = 2-DR CONVERTIBLE	EWE = 8.4L V10 SFI Engine	DEC = 6-Speed Manual Transmission

AR = use ase required - = Non illustrated part

Brake Tubes,Front  
Figure 5-515

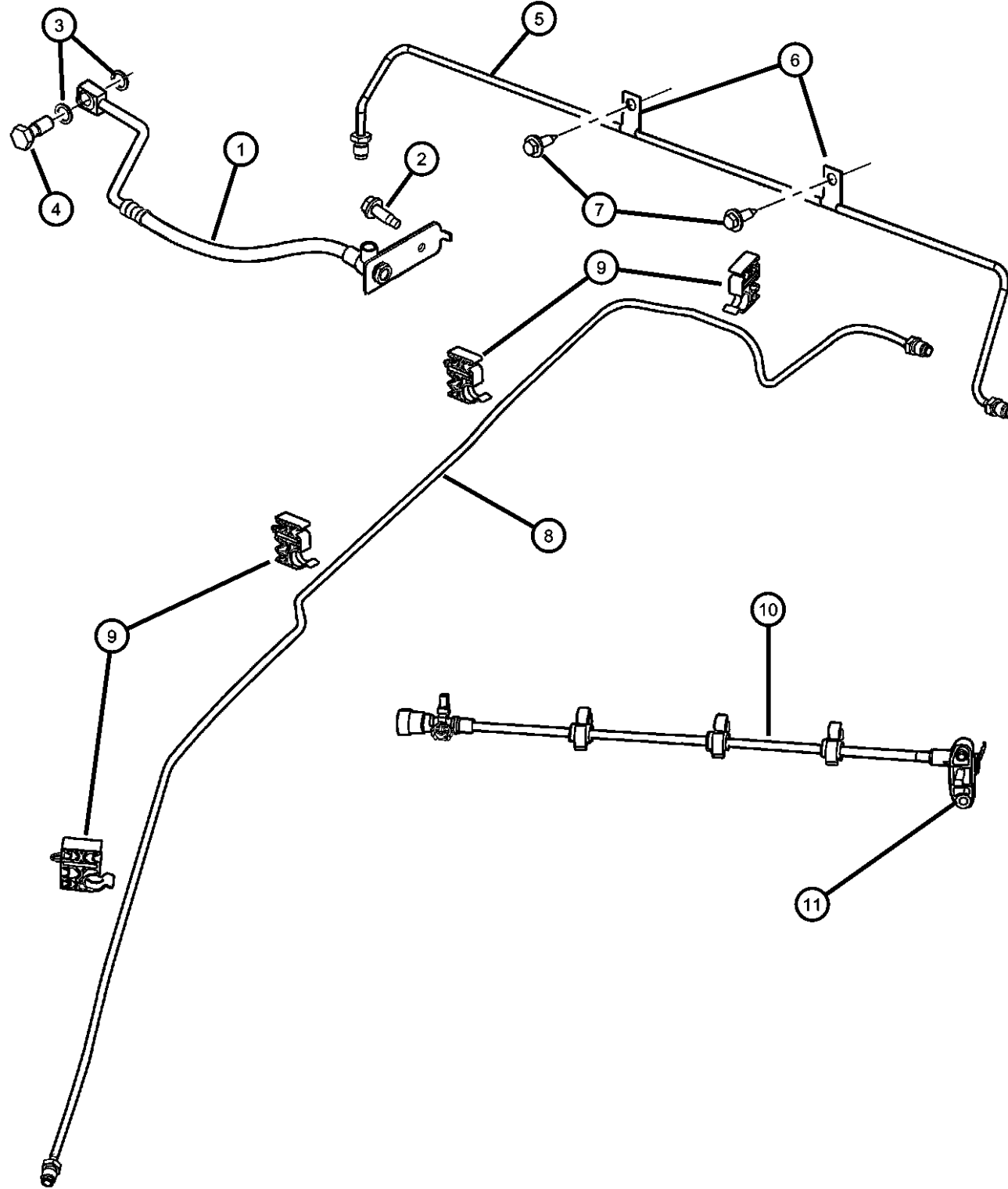


ITEM	PART NUMBER	QTY	LINE	SERIES	BODY	ENGINE	TRANS	TRIM	DESCRIPTION
1									HOSE AND TUBE, Brake
	05290043AB	1	D		27, 29				Left
	05290044AB	1	D		27, 29				Right
2	06100575	2	D		27, 29				BOLT AND CONED WASHER, Hex Head, M8x25x17
3	06502136	4	D		27, 29				BOLT, Hex Flange Head, M10x1.50x55
4	J4200303	8	D		27, 29				WASHER, Brake Hose
5	06505801AA	4	D		27, 29				BOLT, Banjo
6	05290080AB	1	D		27, 29				TUBE, Brake
7	04683653	2	D		27, 29				CLIP, Tube
8	06032824	2	D		27, 29				BOLT, Hex Flange Head, .25-14x.625
9	06100876	2	D		27, 29				WASHER, Flat, M6.82x17.00x1.75
10	05093035AA	1	D		27, 29				HYDRAULIC CONTROL UNIT, Anti-Lock Brake System
11	05066605AA	1	D		27, 29				MODULE, Anti-Lock Brake System
12	05290080AB	1	D		27, 29				TUBE, Brake
13	05290083AB	1	D		27, 29				TUBE, Brake, Master Cylinder to ABS
14	05290147AA	1	D		27, 29				TUBE, Brake, Rear Brake to Module
15	05290081AA	1	D		27, 29				TUBE, Brake
16	05290082AB	1	D		27, 29				TUBE, Brake, Master Cylinder to Module
17	06506358AA	3	D		27, 29				SCREW, Shoulder, ICU to Bracket
18	05264880AA	3	D		27, 29				ISOLATOR, Anti Lock Brake Unit
19	04683556	2	D		27, 29				CLIP, Tube
20	05290248AA	2	D		27, 29				SENSOR, Anti-Lock Brakes
21	05039000AA	2	D		27, 29				CLIP, Tube, Brake Line Attaching

VIPER (ZB)  
 SERIES      LINE      BODY      ENGINE      TRANSMISSION  
 S = SPORT    D = DODGE    29 = SPECIALTY COUPE    EWE = 8.4L V10 SFI Engine    DEC = 6-Speed Manual Transmission  
 X = SPECIAL    27 = 2-DR CONVERTIBLE

AR = use ase required - = Non illustrated part

Brake Tubes,Rear  
Figure 5-520



ITEM	PART NUMBER	QTY	LINE	SERIES	BODY	ENGINE	TRANS	TRIM	DESCRIPTION
1	05290112AB	1	D		27, 29				HOSE AND TUBE, Brake Right
	05290113AB	1	D		27, 29				Left
2	06100575	2	D		27, 29				BOLT AND CONED WASHER, Hex Head, M8x25x17
3	J4200303	8	D		27, 29				WASHER, Brake Hose
4	06505801AA	4	D		27, 29				BOLT, Banjo
5	05290857AA	1	D		27, 29				TUBE, Brake
6	04683653	2	D		27, 29				CLIP, Tube
7	00154910AA	2	D		27, 29				SCREW, Clip Attaching Rear Tube
8	05290103AC	1	D		27, 29				TUBE, Brake
9	05085043AA	5	D		27, 29				CLIP, Fuel Bundle
10	05290952AA	2	D		27, 29				SENSOR, Anti-Lock Brakes
11	06101630	2	D		27, 29				SCREW

VIPER (ZB)

SERIES

S = SPORT  
X = SPECIAL

LINE

D = DODGE

BODY

29 = SPECIALTY COUPE  
27 = 2-DR CONVERTIBLE

ENGINE

EWE = 8.4L V10 SFI Engine

TRANSMISSION

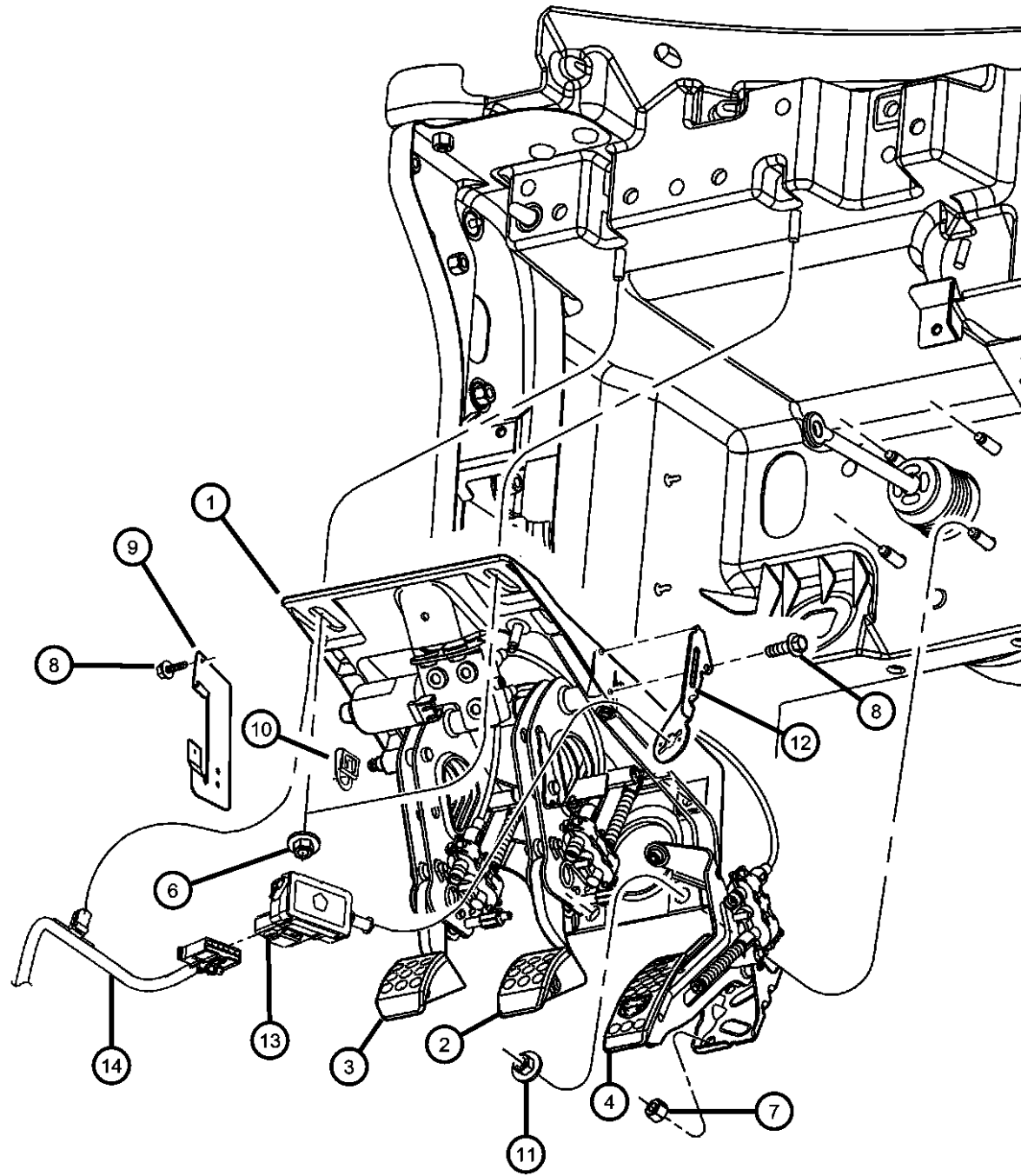
DEC = 6-Speed Manual Transmission

AR = use ase required - = Non illustrated part

2008 ZB



Pedal,Brake  
Figure 5-605



ITEM	PART NUMBER	QTY	LINE	SERIES	BODY	ENGINE	TRANS	TRIM	DESCRIPTION
1	05290926AD	1	D		27, 29				PEDAL ASSEMBLY, Adjustable
2	05102045AB	1	D		27, 29				PAD, Brake Pedal
3	05102046AB	1	D		27, 29				PAD, Clutch Pedal
4	05102047AA	1	D		27, 29				PAD, Accelerator Pedal
-5	56042387	1	D		27, 29				SWITCH
6	06101446	2	D		27, 29				NUT AND WASHER
7	J4003909	4	D		27, 29				NUT, Hex Flange With Serration
8	06505300AA	1	D		27, 29				SCREW
9	05029211AC	1	D		27, 29				BRACKET, Wiring Harness
10	04294036	1	D		27, 29				CLIP
11	06101447	2	D		27, 29				NUT AND WASHER, M6x1.00
12	05029206AB	1	D		27, 29				BRACKET, Stop Lamp Switch
13	05083344AA	1	D		27, 29				SWITCH PACKAGE, Stop Lamp
14	05083344AA	1							WIRING, Instrument Panel, See Electrical Group 008, (NOT SERVICED)

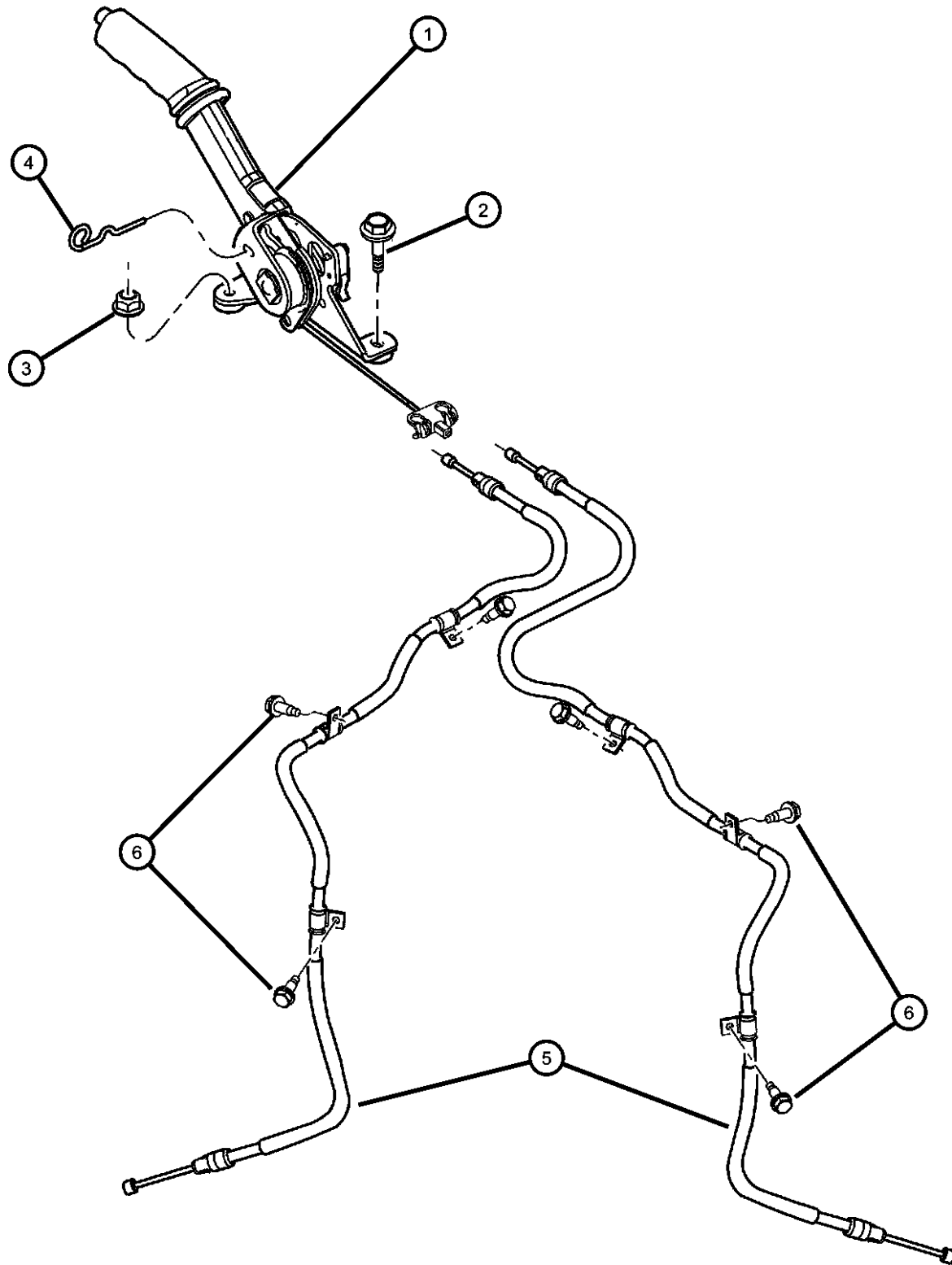
VIPER (ZB)

SERIES	LINE	BODY	ENGINE	TRANSMISSION
S = SPORT	D = DODGE	29 = SPECIALTY COUPE	EWE = 8.4L V10 SFI Engine	DEC = 6-Speed Manual Transmission
X = SPECIAL		27 = 2-DR CONVERTIBLE		

AR = use ase required - = Non illustrated part

2008 ZB

**Park Brake Lever and Cables**  
**Figure 5-705**



ITEM	PART NUMBER	QTY	LINE	SERIES	BODY	ENGINE	TRANS	TRIM	DESCRIPTION
1	0ZG751X9AA	1	D		27, 29				LEVER, Park Brake
2	0ZG751X9AA	1							SCREW, Tap/Hex Flg Hd Type Serrations .250-14x.875, (NOT SERVICED)
3	06104716AA	1	D		27, 29				NUT, Hex Flange Lock, M8X1.25
4	06104716AA	1							PIN, (NOT SERVICED)
5									CABLE, Parking Brake
	05290284AE	1	D		27, 29				Right
	05290285AE	1	D		27, 29				Left
6	05290285AE	1							SCREW, .250-14x.875, (NOT SERVICED)

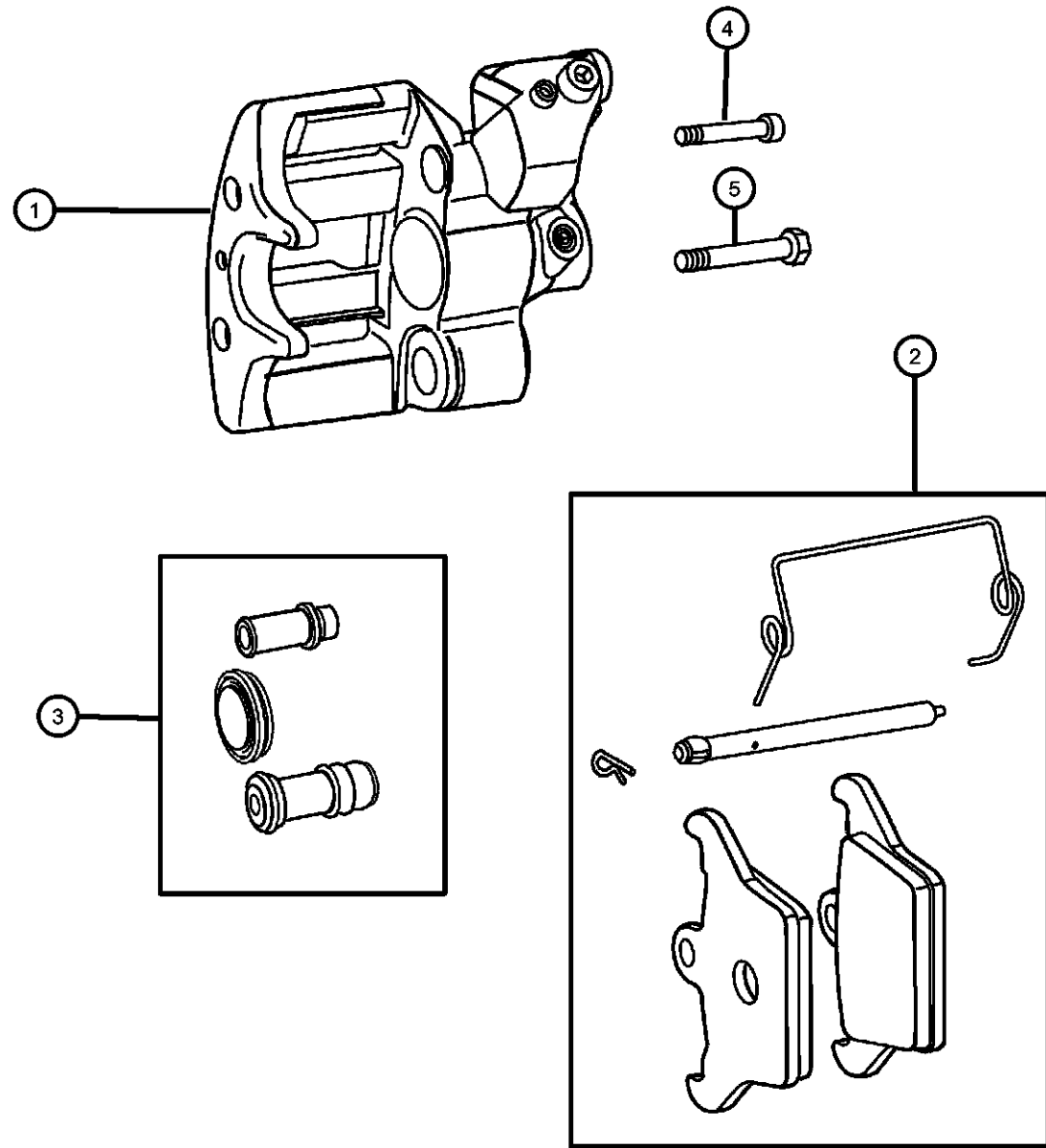
**VIPER (ZB)**

SERIES	LINE	BODY	ENGINE	TRANSMISSION
S = SPORT	D = DODGE	29 = SPECIALTY COUPE	EWE = 8.4L V10 SFI Engine	DEC = 6-Speed Manual Transmission
X = SPECIAL		27 = 2-DR CONVERTIBLE		

AR = use ase required - = Non illustrated part

2008 ZB

**Park Brake Assembly,Rear Disc  
Figure 5-725**



ITEM	PART NUMBER	QTY	LINE	SERIES	BODY	ENGINE	TRANS	TRIM	DESCRIPTION
1	05093309AA	1	D		27, 29				CALIPER, Disc Brake Left
	05093308AA	1	D		27, 29				Right
2	05093307AA	1	D		27, 29				PAD KIT, Disc Brake
3	05093311AA	1	D		27, 29				BOOT KIT, Repair
4	05093302AA	1	D		27, 29				PIN KIT, Disc Brake
5	06507581AA	2	D		27, 29				BOLT, Hex Head, M10x1.25x80

**VIPER (ZB)**

SERIES	LINE	BODY	ENGINE	TRANSMISSION
S = SPORT	D = DODGE	29 = SPECIALTY COUPE	EWE = 8.4L V10 SFI Engine	DEC = 6-Speed Manual Transmission
X = SPECIAL		27 = 2-DR CONVERTIBLE		

AR = use ase required - = Non illustrated part

# Group - 6

## Clutch

### Group - 6 Clutch

Illustration Title

Group-Fig. No.

#### Clutch

Clutch Assembly ..... Fig. 6 - 105

#### Clutch Housing

Housing,Clutch ..... Fig. 6 - 205

#### Clutch Controls

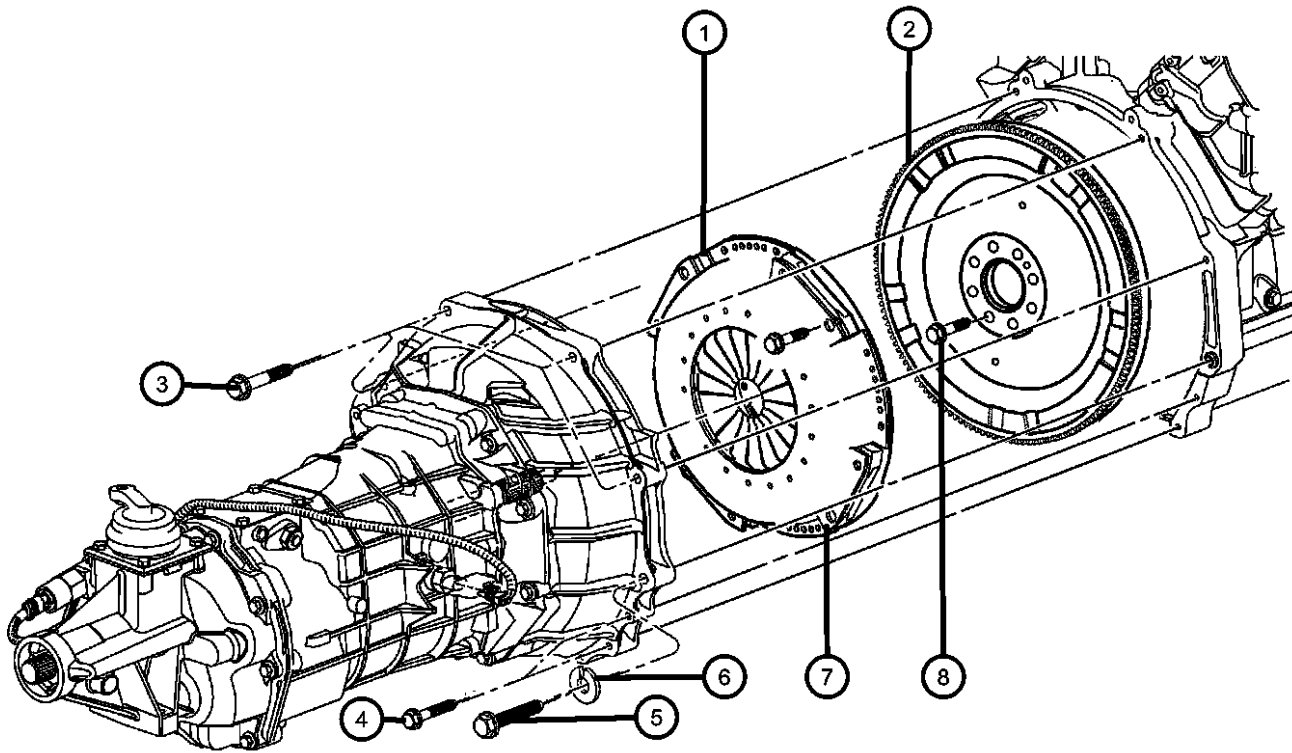
Controls,Hydraulic Clutch..... Fig. 6 - 305

#### Clutch Pedals

Pedal,Clutch ..... Fig. 6 - 405

<b>006-100</b> Clutch	<b>006-200</b> Clutch Housing	<b>006-300</b> Clutch Controls	<b>006-400</b> Clutch Pedals
--------------------------	----------------------------------	-----------------------------------	---------------------------------

**Clutch Assembly  
Figure 6-105**



ITEM	PART NUMBER	QTY	LINE	SERIES	BODY	ENGINE	TRANS	TRIM	DESCRIPTION
------	-------------	-----	------	--------	------	--------	-------	------	-------------

NOTE:  
Sales Codes:  
[EWC]=8.3L V-10 Engine

1	06508880AA	6	D			EWE			SCREW
2	05037965AB	1	D			EWE			FLYWHEEL
3	06102381AA	6	D						BOLT, Hex Flange Head, M10X1.50X62.00
4	06505482AA	4	D						SCREW AND WASHER, Hex Head, M8x1.25x50
5	06102381AA	6	D						BOLT, Hex Flange Head, M10X1.50X62.00
6	06102381AA	6							WASHER, Flat, (NOT SERVICED)
7	05037963AB	1	D			EWE			CLUTCH KIT, Pressure Plate and Disc
8	06508879AA	8	D			EWE			SCREW

**VIPER (ZB)**

SERIES	LINE	BODY	ENGINE	TRANSMISSION
S = SPORT	D = DODGE	29 = SPECIALTY COUPE	EWE = 8.4L V10 SFI Engine	DEC = 6-Speed Manual Transmission
X = SPECIAL		27 = 2-DR CONVERTIBLE		

AR = use ase required - = Non illustrated part

2008 ZB

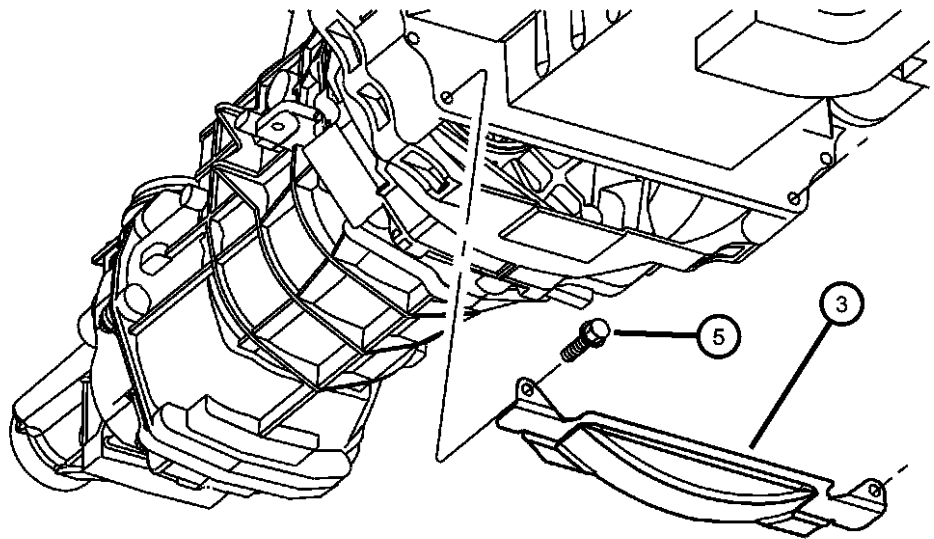
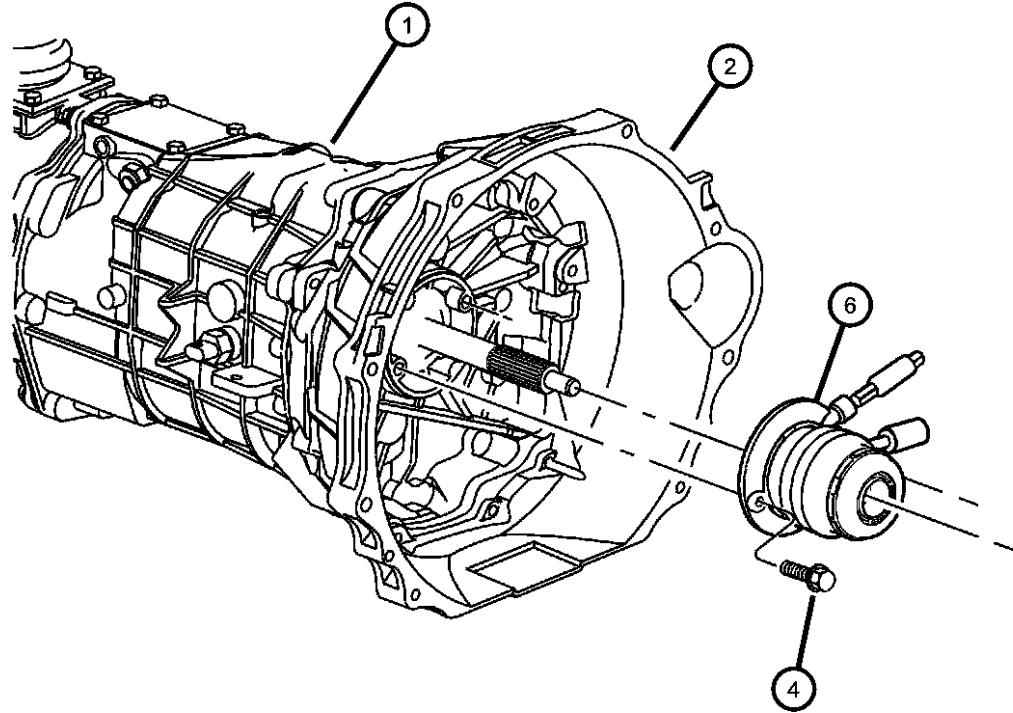
Housing,Clutch  
Figure 6-205

ITEM	PART NUMBER	QTY	LINE	SERIES	BODY	ENGINE	TRANS	TRIM	DESCRIPTION
------	-------------	-----	------	--------	------	--------	-------	------	-------------

NOTE:  
Sales Code:  
[DEC]=6 Speed Manual Transmission

1	06508879AA	8							
2	68028348AA	1	D				DEC		
3	05037330AD	1	D						
4	06100296	2	D						
5	06101826	2	D						
6	05037357AB	1	D						

TRANSMISSION, See  
Transmission Group, (NOT  
SERVICED)  
HOUSING, Clutch  
SHIELD, Clutch Housing Dust  
BOLT, Hex Head  
SCREW, M6x1x20  
CYLINDER, Clutch Slave



VIPER (ZB)

SERIES	LINE	BODY	ENGINE	TRANSMISSION
S = SPORT	D = DODGE	29 = SPECIALTY COUPE	EWE = 8.4L V10 SFI Engine	DEC = 6-Speed Manual Transmission
X = SPECIAL		27 = 2-DR CONVERTIBLE		

AR = use ase required - = Non illustrated part

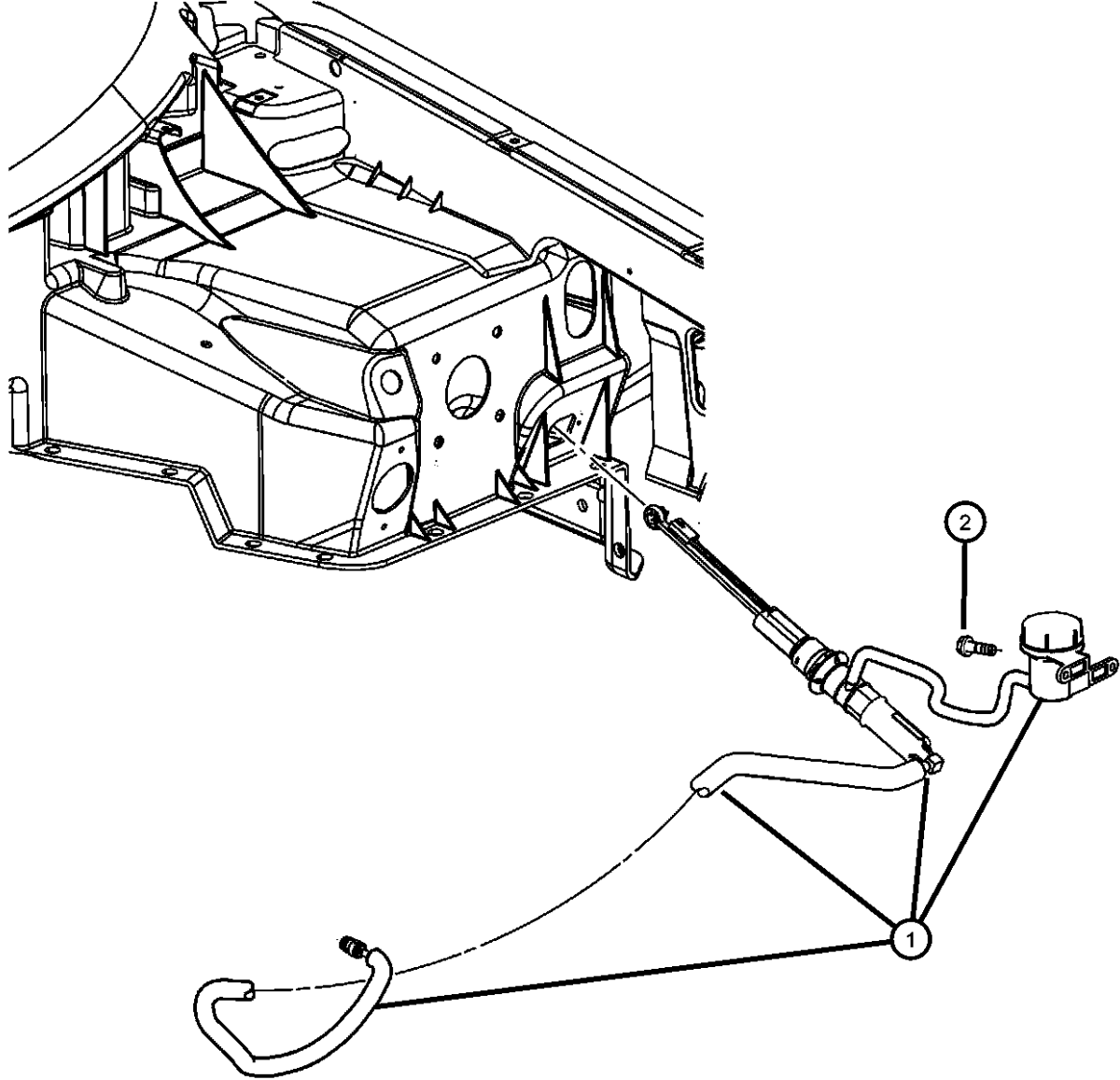
2008 ZB

**Controls,Hydraulic Clutch**  
**Figure 6-305**

ITEM	PART NUMBER	QTY	LINE	SERIES	BODY	ENGINE	TRANS	TRIM	DESCRIPTION
------	-------------	-----	------	--------	------	--------	-------	------	-------------

NOTE:Clutch Interlock Switch Serviced With Hydraulic Actuator

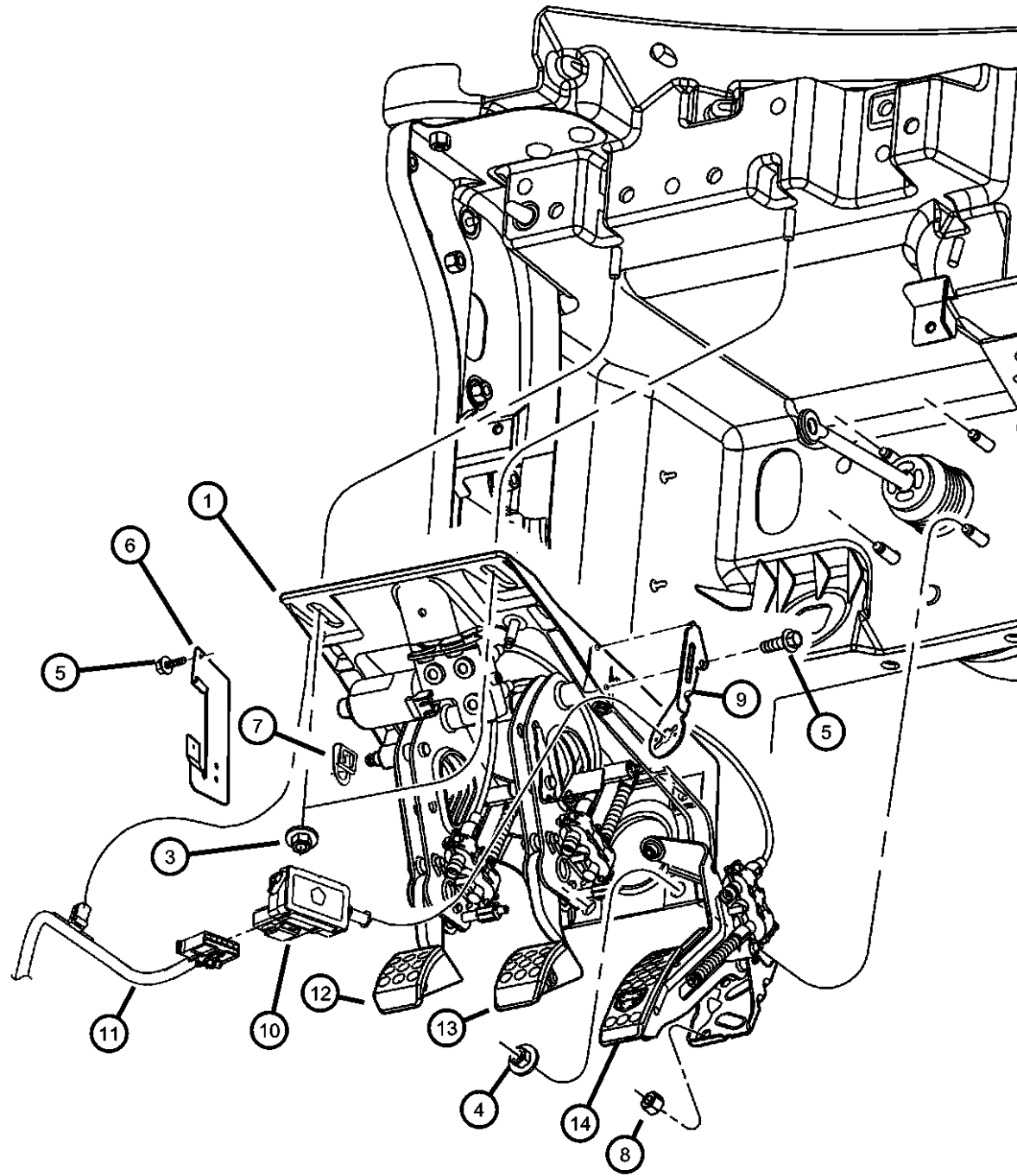
1	04642666AF	1	D						ACTUATOR, Hydraulic Clutch
2	06101650	2	D						SCREW AND WASHER, M5X.80X20.00



<b>VIPER (ZB)</b>				
SERIES	LINE	BODY	ENGINE	TRANSMISSION
S = SPORT	D = DODGE	29 = SPECIALTY COUPE	EWE = 8.4L V10 SFI Engine	DEC = 6-Speed Manual Transmission
X = SPECIAL		27 = 2-DR CONVERTIBLE		

AR = use ase required - = Non illustrated part

Pedal,Clutch  
Figure 6-405



ITEM	PART NUMBER	QTY	LINE	SERIES	BODY	ENGINE	TRANS	TRIM	DESCRIPTION
1	05290926AD	1	D						PEDAL ASSEMBLY, Adjustable
-2	56042387	1	D						SWITCH, Electrical Pedal Adjust
3	06101446	2	D						NUT AND WASHER
4	J4003909	4	D						NUT, Hex Flange With Serration
5	J4003909	4							SCREW, [M5X0.8X10.00], (NOT SERVICED)
6	05029211AC	1	D						BRACKET, Wiring Harness
7	04294036	1	D						CLIP
8	06101446	2	D						NUT AND WASHER
9	05029206AB	1	D						BRACKET, Stop Lamp Switch
10	05083344AA	1	D						SWITCH PACKAGE, Stop Lamp
11	05083344AA	1							WIRING, Instrument Panel, See Electrical Group, (NOT SERVICED)
12	05102046AB	1	D						PAD, Clutch Pedal
13	05102045AB	1	D						PAD, Brake Pedal
14	05102047AA	1	D						PAD, Accelerator Pedal

VIPER (ZB)

SERIES	LINE	BODY	ENGINE	TRANSMISSION
S = SPORT	D = DODGE	29 = SPECIALTY COUPE	EWE = 8.4L V10 SFI Engine	DEC = 6-Speed Manual Transmission
X = SPECIAL		27 = 2-DR CONVERTIBLE		

AR = use ase required - = Non illustrated part

2008 ZB



# Group - 7

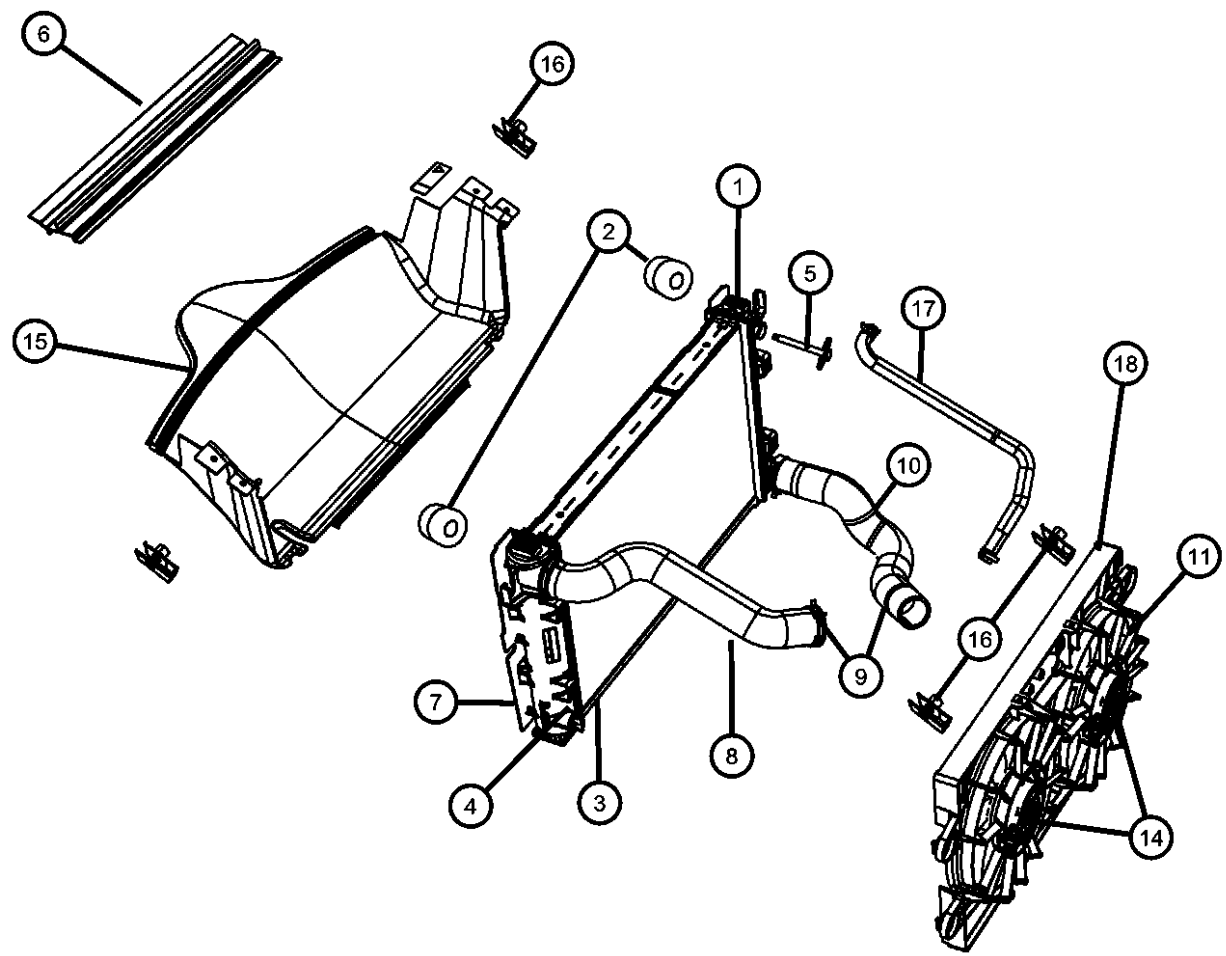
## Cooling

### Group - 7 Cooling

Illustration Title	Group-Fig. No.
<b>Radiator and Related Parts and Turbo Intercooler</b>	
Radiator and Related Parts Gas .....	Fig. 7 - 105
<b>Water Pump and Related Parts</b>	
Water Pump and Related Parts .....	Fig. 7 - 205
Thermostat and Related Parts .....	Fig. 7 - 250
<b>Engine Coolant Reservoir (Bottle)</b>	
Coolant Recovery Bottle .....	Fig. 7 - 305
<b>Pulleys and Related Parts</b>	
Pulleys and Related Parts Gas .....	Fig. 7 - 405
<b>Drive Belts</b>	
Belts, Serpentine and V-Belts .....	Fig. 7 - 505

<b>007-100</b> Radiator and Related Parts and Turbo Intercooler	<b>007-200</b> Water Pump and Related Parts	<b>007-300</b> Engine Coolant Reservoir (Bottle)	<b>007-400</b> Pulleys and Related Parts
<b>007-500</b> Drive Belts			

**Radiator and Related Parts Gas**  
**Figure 7-105**



ITEM	PART NUMBER	QTY	LINE	SERIES	BODY	ENGINE	TRANS	TRIM	DESCRIPTION
NOTE: Sales Codes: [EWC] = 8.3L V10 SFI									
1	05264994AC	1	D						RADIATOR, Engine Cooling
2	52027827	2	D						ISOLATOR, Radiator, Upper, Upper
3	04809071	2	D						ISOLATOR, Radiator, Lower
4	52029087AA	1	D						DRAINCOCK, Radiator
5	06508012AA	2	D						BOLT
6	05290670AB	1	D						SEAL, Radiator Upper
7	05290670AB	1							SEAL, Radiator Side, Serviced with Radiator, (NOT SERVICED)
8	05030603AB	1	D						HOSE, Radiator Inlet, Thermostat To Radiator Inlet
9									CLAMP, Radiator Inlet
	52006750	2	D						Inlet
		2	D						Outlet
10	05264986AB	1	D						HOSE, Radiator Outlet
11	68034687AA	1	D						FAN, Cooling
-12	06504118	8	D						U-NUT, M6 x 1.00, M6x1.00, Air Cleaner to Shroud
-13	05137718AA	2	D						NUT, Fan Module Retaining
14									MOTOR, Radiator Fan
	05137714AA	1	D						Left
	05170746AA	1	D						Right
15	05290668AC	1	D						BAFFLE, Radiator Air
16									NUT, U, M6x1.00
	06101308	2	D						Cooling Module Attach
		3	D						Cooling Bottle Attach
17	05030648AB	1	D						HOSE, Oil Cooler Return, Oil Cooler Return
18	68029032AA	1	D						SHROUD, Fan
-19	68029031AA	6	D						SCREW AND WASHER, Fan Module

**VIPER (ZB)**  
 SERIES LINE BODY ENGINE TRANSMISSION  
 S = SPORT D = DODGE 29 = SPECIALTY COUPE EWE = 8.4L V10 SFI Engine DEC = 6-Speed Manual Transmission  
 X = SPECIAL 27 = 2-DR CONVERTIBLE

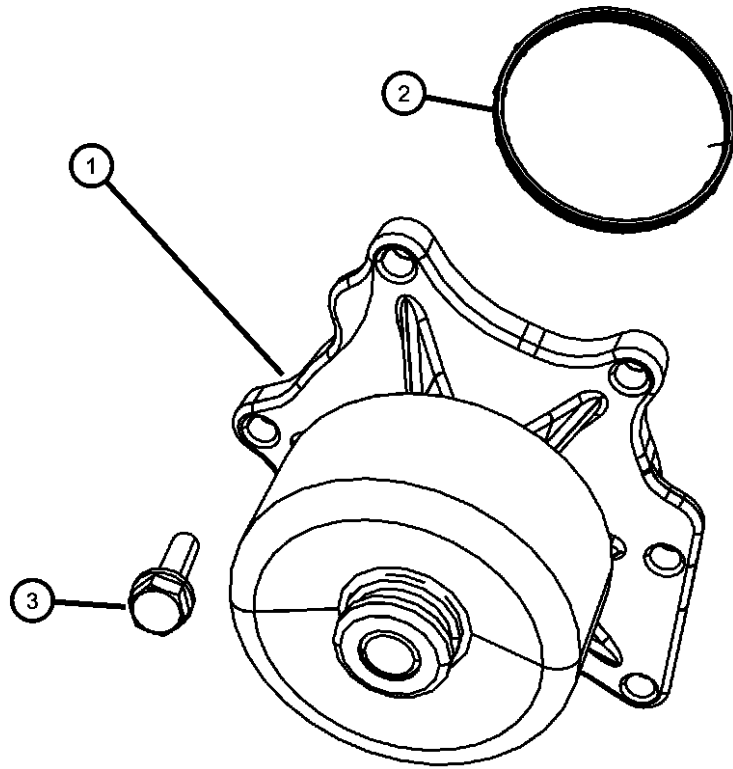
AR = use ase required - = Non illustrated part

**Water Pump and Related Parts  
Figure 7-205**

ITEM	PART NUMBER	QTY	LINE	SERIES	BODY	ENGINE	TRANS	TRIM	DESCRIPTION
------	-------------	-----	------	--------	------	--------	-------	------	-------------

NOTE: Sales Codes:  
[EWC] = 8.3L V10 SFI

1	05037730AA	1	D			EWE			PUMP, Water, With Pulley
2	05037171AB	1	D			EWE			GASKET, Water Pump
3	06508448AA	6	D			EWE			BOLT AND CONED WASHER, Hex Head, M6X1.00X25.00, Water Pump to Front Cover



**VIPER (ZB)**

SERIES	LINE	BODY	ENGINE	TRANSMISSION
S = SPORT	D = DODGE	29 = SPECIALTY COUPE	EWE = 8.4L V10 SFI Engine	DEC = 6-Speed Manual Transmission
X = SPECIAL		27 = 2-DR CONVERTIBLE		

AR = use ase required - = Non illustrated part

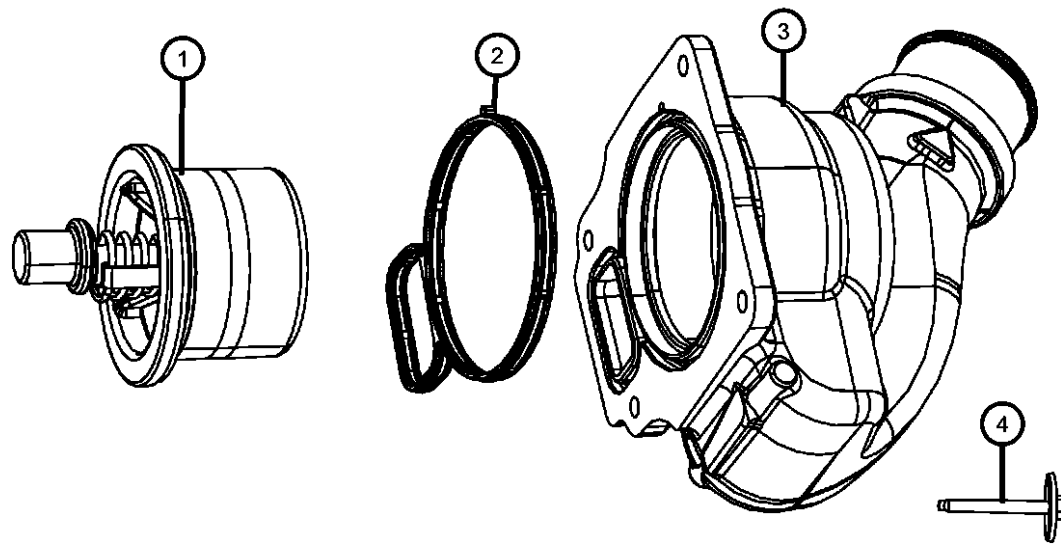
2008 ZB

**Thermostat and Related Parts  
Figure 7-250**

ITEM	PART NUMBER	QTY	LINE	SERIES	BODY	ENGINE	TRANS	TRIM	DESCRIPTION
------	-------------	-----	------	--------	------	--------	-------	------	-------------

NOTE: Sales Codes:  
[EWC] = 8.3L V10 SFI

1	05037344AA	1	D			EWE			THERMOSTAT, 185 Degrees
2	05037173AA	1	D			EWE			GASKET, Thermostat
3	05037174AD	1	D			EWE			HOUSING, Thermostat, Includes Thermostat, Gasket and Seal
4	06508012AA	2	D						BOLT, Cooling Module To Radiator Support



**VIPER (ZB)**

SERIES	LINE	BODY	ENGINE	TRANSMISSION
S = SPORT	D = DODGE	29 = SPECIALTY COUPE	EWE = 8.4L V10 SFI Engine	DEC = 6-Speed Manual Transmission
X = SPECIAL		27 = 2-DR CONVERTIBLE		

AR = use ase required - = Non illustrated part

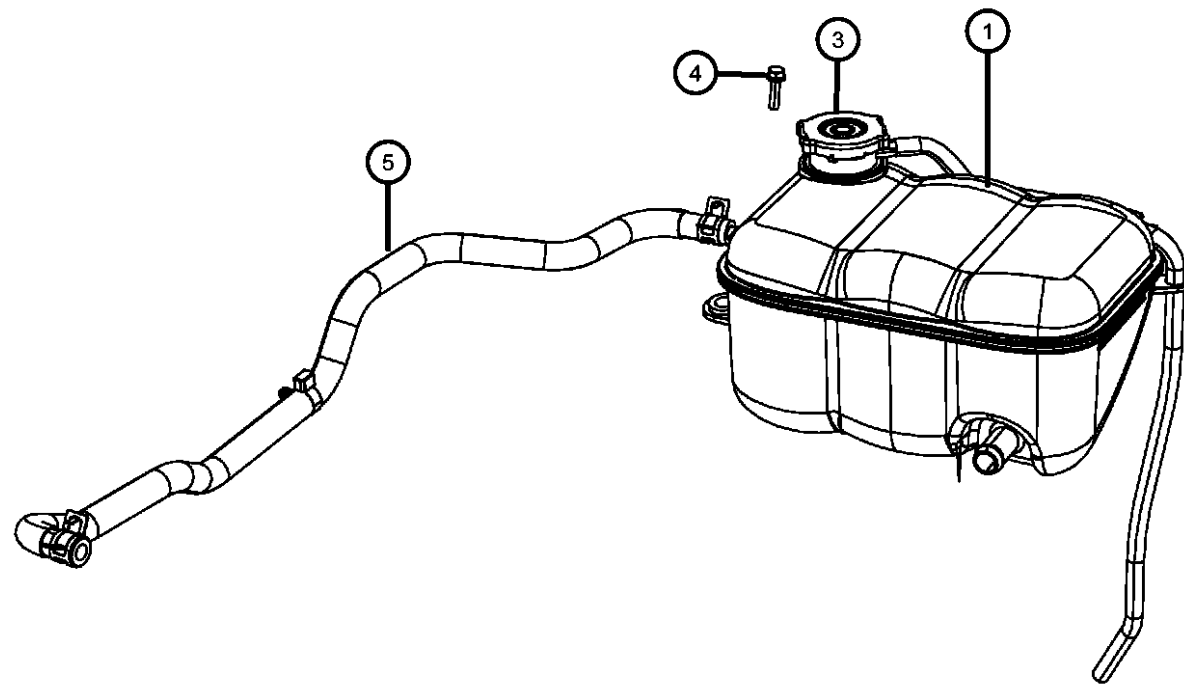
2008 ZB

**Coolant Recovery Bottle  
Figure 7-305**

ITEM	PART NUMBER	QTY	LINE	SERIES	BODY	ENGINE	TRANS	TRIM	DESCRIPTION
------	-------------	-----	------	--------	------	--------	-------	------	-------------

NOTE: Sales Codes:  
[EWC] = 8.3L V10 SFI

1	05030626AB	1	D						BOTTLE, Pressurized Coolant, Include Cap and Overflow Hose
-2	04266423	1	D						HOSE, Coolant Recovery Bottle
3	05183710AA	1	D						CAP, Pressurized Coolant
4	06508448AA	1	D			EWE			BOLT AND CONED WASHER, Hex Head, M6X1.00X25.00
5	05030600AB	1	D						HOSE, Coolant Bottle Inlet



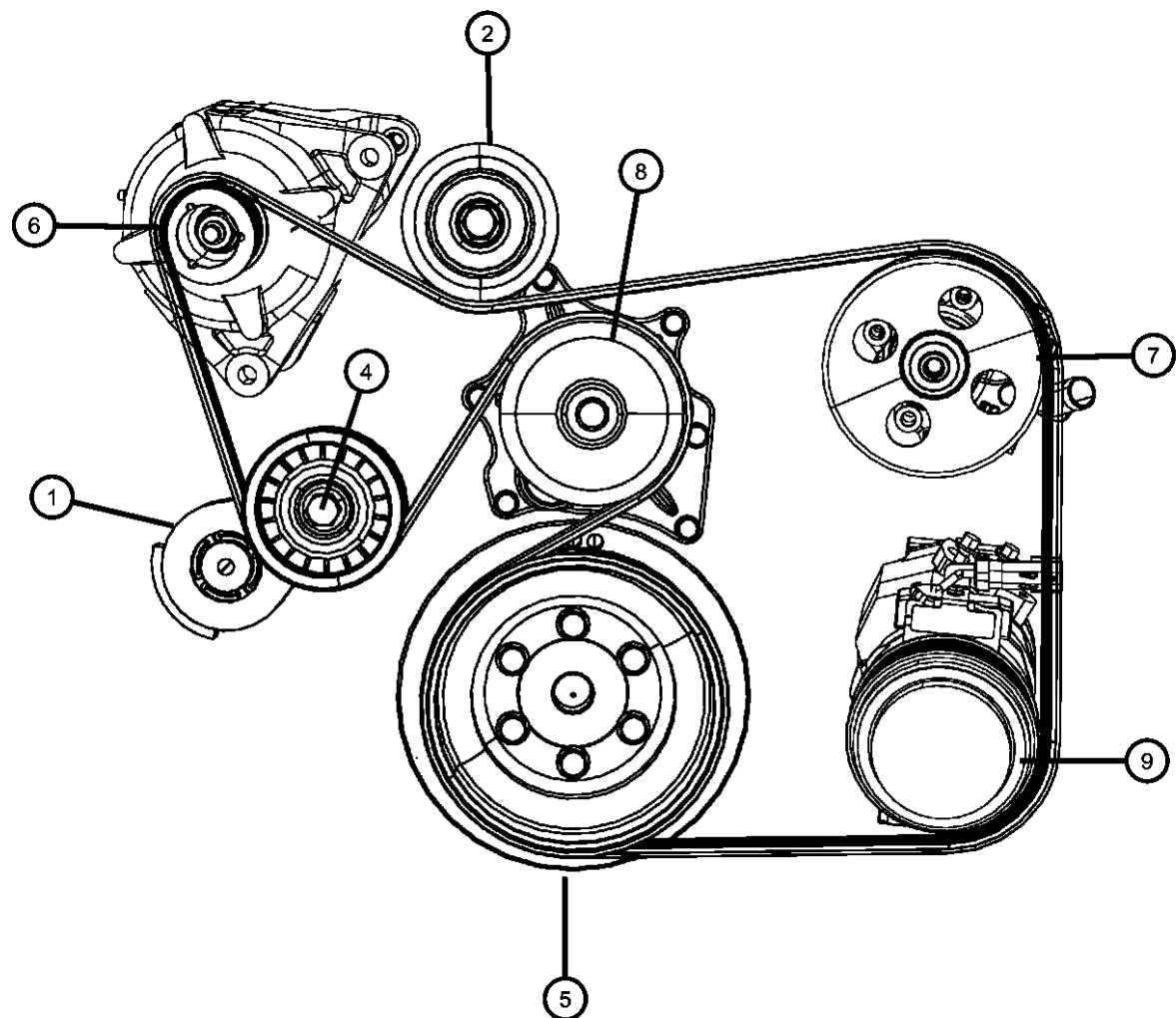
**VIPER (ZB)**

SERIES	LINE	BODY	ENGINE	TRANSMISSION
S = SPORT	D = DODGE	29 = SPECIALTY COUPE	EWE = 8.4L V10 SFI Engine	DEC = 6-Speed Manual Transmission
X = SPECIAL		27 = 2-DR CONVERTIBLE		

AR = use ase required - = Non illustrated part

2008 ZB

Pulleys and Related Parts Gas  
Figure 7-405



ITEM	PART NUMBER	QTY	LINE	SERIES	BODY	ENGINE	TRANS	TRIM	DESCRIPTION
NOTE: Sales Codes: [EWC] = 8.3L V10 SFI									
1	05086500AA	1	D			EWE			TENSIONER PACKAGE, Belt
2	04792581AB	1	D			EWE			PULLEY, Idler
-3	33002201	1	D			EWE			BUSHING, Idler Pulley
4	06502135	1	D			EWE			NUT, Hex Flange, M10x1.5
5	05037204AB	1	D			EWE			PULLEY, Crankshaft
6	05037204AB	1							ALTERNATOR, Electrical, Serviced with Alternator, (NOT SERVICED)
7	05037204AB	1							PULLEY, Power Steering Pump, Serviced with Pump, (NOT SERVICED)
8	05037730AA	1	D			EWE			PUMP, Water
9	05037730AA	1							PULLEY, Air Compressor, Serviced with Compressor, (NOT SERVICED)

VIPER (ZB)

SERIES	LINE	BODY	ENGINE	TRANSMISSION
S = SPORT	D = DODGE	29 = SPECIALTY COUPE	EWE = 8.4L V10 SFI Engine	DEC = 6-Speed Manual Transmission
X = SPECIAL		27 = 2-DR CONVERTIBLE		

AR = use ase required - = Non illustrated part

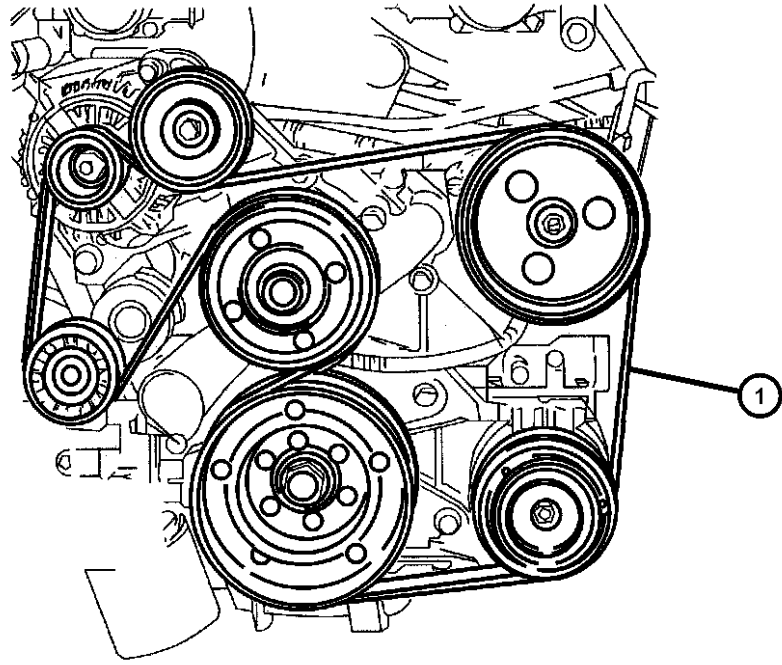
2008 ZB

**Belts, Serpentine and V-Belts  
Figure 7-505**

ITEM	PART NUMBER	QTY	LINE	SERIES	BODY	ENGINE	TRANS	TRIM	DESCRIPTION
------	-------------	-----	------	--------	------	--------	-------	------	-------------

NOTE: Sales Codes:  
[EWC] = 8.3L V10 SFI

1	05037862AC	1	D			EWE			BELT, Accessory Drive
---	------------	---	---	--	--	-----	--	--	-----------------------



**VIPER (ZB)**

SERIES	LINE	BODY	ENGINE	TRANSMISSION
S = SPORT	D = DODGE	29 = SPECIALTY COUPE	EWE = 8.4L V10 SFI Engine	DEC = 6-Speed Manual Transmission
X = SPECIAL		27 = 2-DR CONVERTIBLE		

AR = use ase required - = Non illustrated part

2008 ZB

# Group - 8

## Electrical

<b>008-1900</b> Ignition - Spark Plugs, Cables, Coils, and Glow Plugs	<b>008-200</b> Generators / Alternators	<b>008-2000</b> Instrument Panel	<b>008-2100</b> Instrument Panel Cluster
<b>008-2200</b> Radio, Antenna, Speakers, DVD, and Video systems	<b>008-2300</b> Consoles	<b>008-400</b> Modules and Engine Controllers	<b>008-500</b> Power Distribution Center, Fuse Block, Junction Block, Relays and Fuses
<b>008-600</b> Sensors	<b>008-800</b> Switches	<b>008-900</b> Horns	

<b>008-100</b> Starters	<b>008-1000</b> Battery, Battery Tray and Cables	<b>008-1100</b> Lamps-Interior and Exterior	<b>008-1200</b> Wiring-Powertrain
<b>008-1300</b> Wiring-Headlamp to Dash	<b>008-1400</b> Wiring-Instrument Panel	<b>008-1500</b> Wiring-Body and Accessories	<b>008-1600</b> Wiring and Repair



---

## Group - 8 Electrical

Illustration Title

Group-Fig. No.

<b>Starters</b>	
Starter and Related Parts.....	Fig. 8 - 105

### Generators / Alternators

Generator/Alternator and Related Parts.....	Fig. 8 - 205
---	--------------

### Modules and Engine Controllers

Modules Engine Compartment.....	Fig. 8 - 405
Modules Instrument Panel.....	Fig. 8 - 410
Modules Body .....	Fig. 8 - 420
Modules Lighting .....	Fig. 8 - 425

### Power Distribution Center, Fuse Block, Junction Block, Relays and Fuses

Power Distribution Center .....	Fig. 8 - 505
---------------------------------	--------------

### Sensors

Sensors, Gas Engine .....	Fig. 8 - 605
Sensors Oxygen Gas .....	Fig. 8 - 615
Sensors Brakes .....	Fig. 8 - 625
Sensors Body.....	Fig. 8 - 635

### Switches

Switches Instrument Panel .....	Fig. 8 - 805
Switches Console .....	Fig. 8 - 810
Switches Body.....	Fig. 8 - 820
Switches Powertrain .....	Fig. 8 - 835

### Horns

Horns.....	Fig. 8 - 905
------------	--------------

### Battery, Battery Tray and Cables

Battery Tray and Support.....	Fig. 8 - 1005
Battery Wiring .....	Fig. 8 - 1010

### Lamps-Interior and Exterior

Lamps Front.....	Fig. 8 - 1105
Lamps Rear.....	Fig. 8 - 1110
Lamps Interior .....	Fig. 8 - 1115

### Wiring-Powertrain

Wiring Engine Gas .....	Fig. 8 - 1205
Ground Straps.....	Fig. 8 - 1220

### Wiring-Headlamp to Dash

Wiring Headlamp to Dash .....	Fig. 8 - 1305
-------------------------------	---------------

### Wiring-Instrument Panel

Wiring Instrument Panel .....	Fig. 8 - 1405
-------------------------------	---------------

### Wiring-Body and Accessories

Wiring Body.....	Fig. 8 - 1505
Wiring Chassis and Underbody .....	Fig. 8 - 1510
Wiring Door, Deck Lid, and Liftgate.....	Fig. 8 - 1515
Wiring Seats Front .....	Fig. 8 - 1520

### Wiring and Repair

Wiring Repairs.....	Fig. 8 - 1605
---------------------	---------------

### Ignition - Spark Plugs, Cables, Coils, and Glow Plugs

Spark Plugs, Ignition Wires, Ignition Coil.....	Fig. 8 - 1905
---	---------------

### Instrument Panel

Instrument Panel and Structure.....	Fig. 8 - 2005
-------------------------------------	---------------

Instrument Panel Trim .....	Fig. 8 - 2010
-----------------------------	---------------

### Instrument Panel Cluster

Instrument Panel Cluster .....	Fig. 8 - 2105
--------------------------------	---------------

### Radio, Antenna, Speakers, DVD, and Video systems

Radio.....	Fig. 8 - 2205
Satellite Radio System.....	Fig. 8 - 2215
Speakers and Amplifiers.....	Fig. 8 - 2220

### Consoles

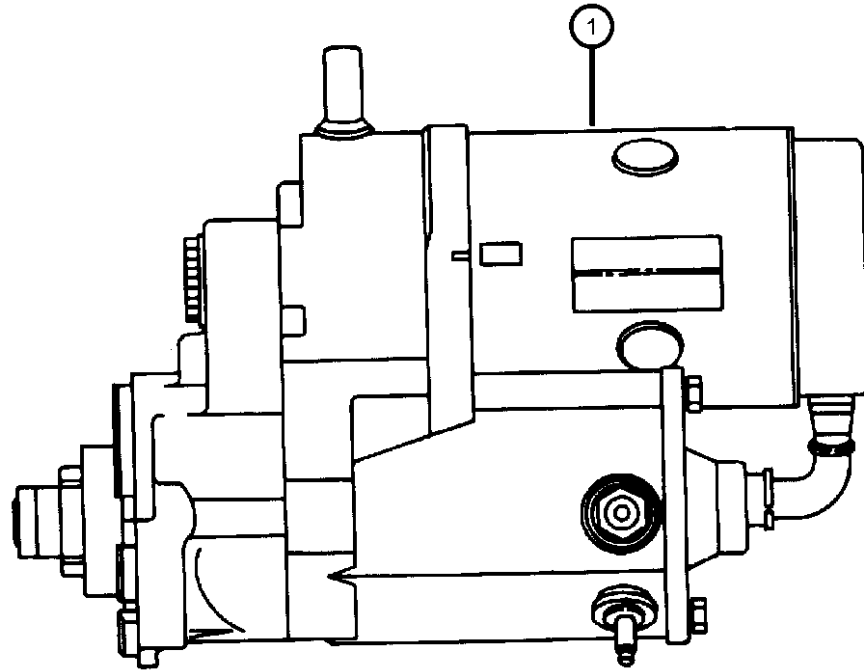
Floor Console Front.....	Fig. 8 - 2305
--------------------------	---------------

**Starter and Related Parts  
Figure 8-105**

ITEM	PART NUMBER	QTY	LINE	SERIES	BODY	ENGINE	TRANS	TRIM	DESCRIPTION
------	-------------	-----	------	--------	------	--------	-------	------	-------------

NOTES: Sales Codes:  
[EWE] = 8.4L V10 SFI Engine

1	05037199AB	1	D		27, 29	EWE			STARTER
-2	06101514	2	D		27, 29	EWE			BOLT AND WASHER, Hex Head, M10X1.50X35.00, Starter to Transmission
-3	06506929AA	1	D		27, 29	EWE			NUT, Hex Flange Lock, M8x1.25, Starter B+ to Battery



**VIPER (ZB)**

SERIES	LINE	BODY	ENGINE	TRANSMISSION
S = SPORT	D = DODGE	29 = SPECIALTY COUPE	EWE = 8.4L V10 SFI Engine	DEC = 6-Speed Manual Transmission
X = SPECIAL		27 = 2-DR CONVERTIBLE		

AR = use ase required - = Non illustrated part

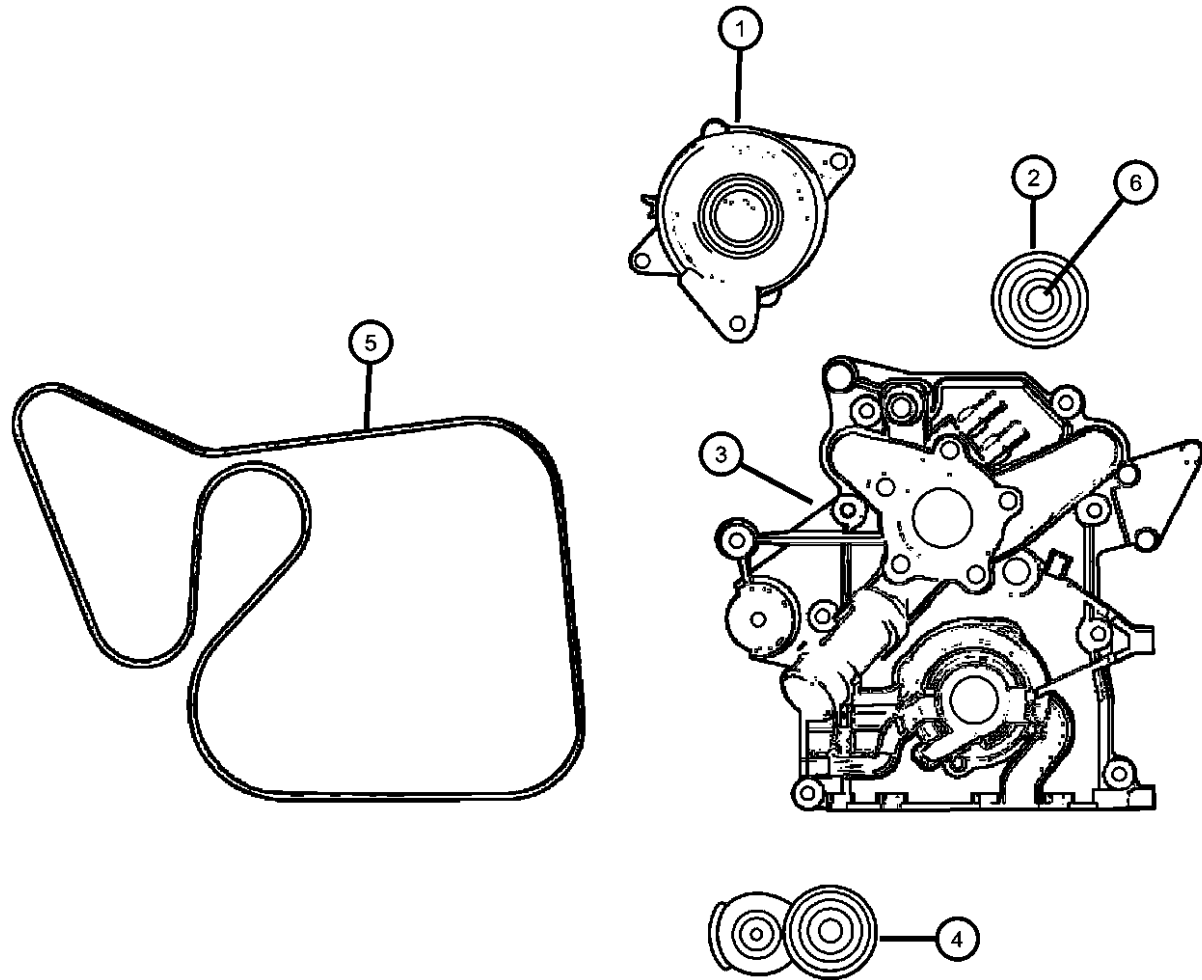
2008 ZB

**Generator/Alternator and Related Parts  
Figure 8-205**

ITEM	PART NUMBER	QTY	LINE	SERIES	BODY	ENGINE	TRANS	TRIM	DESCRIPTION
------	-------------	-----	------	--------	------	--------	-------	------	-------------

NOTES: Sales Code  
[EWE] = 8.4L V10 SFI Engine

1	05037198AC	1	D		27, 29	EWE			ALTERNATOR, Engine
2	04792581AB	1	D		27, 29	EWE			PULLEY, Idler
3	05037708AB	1	D		27, 29	EWE			COVER, Timing Case
4	05086500AA	1	D		27, 29	EWE			TENSIONER PACKAGE, Belt
5	05037862AC	1	D		27, 29	EWE			BELT, Accessory Drive
6	33002201	1	D		27, 29	EWE			BUSHING, Idler Pulley
-7	06506929AA	1	D		27, 29	EWE			NUT, Hex Flange Lock, M8x1.25, B+ terminal



**VIPER (ZB)**

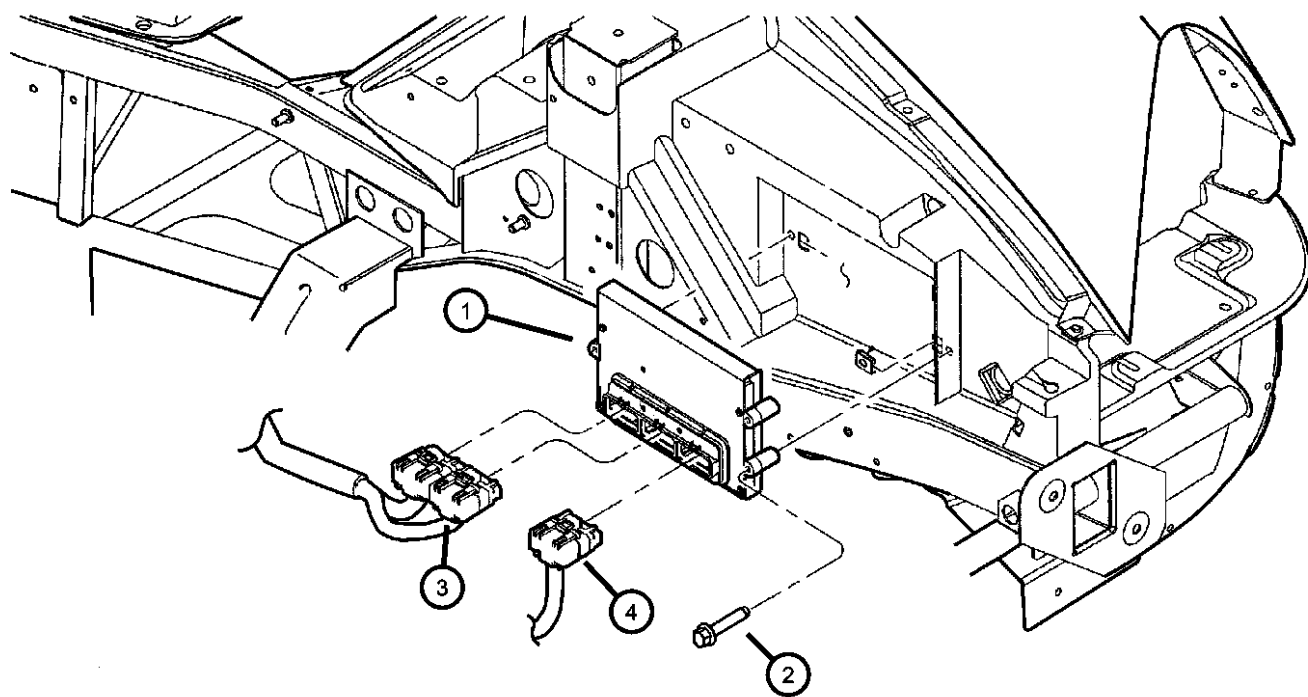
SERIES	LINE	BODY	ENGINE	TRANSMISSION
S = SPORT	D = DODGE	29 = SPECIALTY COUPE	EWE = 8.4L V10 SFI Engine	DEC = 6-Speed Manual Transmission
X = SPECIAL		27 = 2-DR CONVERTIBLE		

AR = use ase required - = Non illustrated part

2008 ZB

**Modules Engine Compartment  
Figure 8-405**

ITEM	PART NUMBER	QTY	LINE	SERIES	BODY	ENGINE	TRANS	TRIM	DESCRIPTION
1	05029932AD	1	D		27, 29	EWE			MODULE, Powertrain Control
2	05029932AD	1							SCREW, Hex Flange Head, [m5x.80x55], (NOT SERVICED)
3	05029932AD	1							WIRING, Headlamp to Dash, See 8-1305, (NOT SERVICED)
4	05029932AD	1							WIRING, Engine, See 8-1205, (NOT SERVICED)
-5	05181368AB	1	D		27, 29				COVER, Module, ECM WIRING PROTECTION COVER

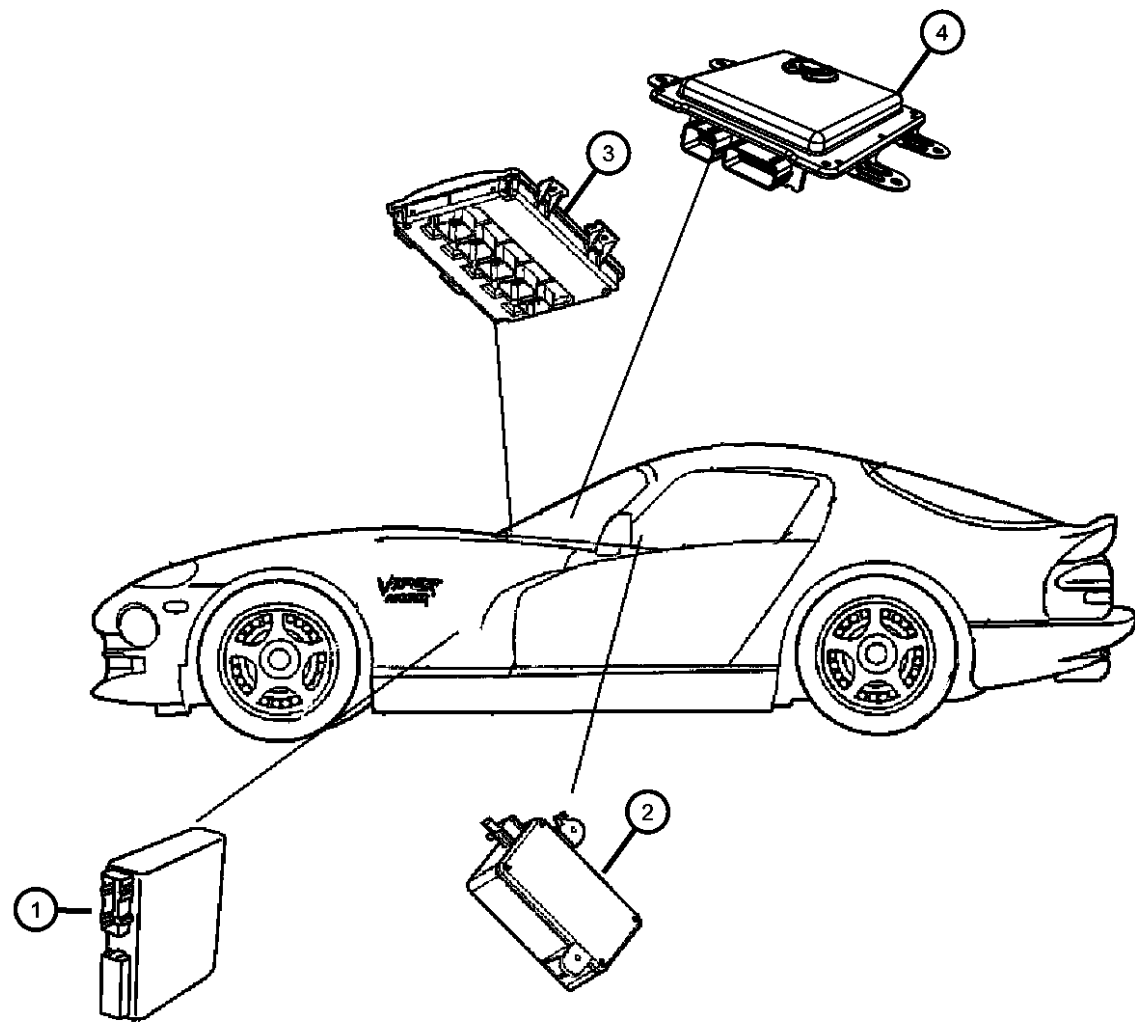


**VIPER (ZB)**

SERIES	LINE	BODY	ENGINE	TRANSMISSION
S = SPORT	D = DODGE	29 = SPECIALTY COUPE	EWE = 8.4L V10 SFI Engine	DEC = 6-Speed Manual Transmission
X = SPECIAL		27 = 2-DR CONVERTIBLE		

AR = use ase required - = Non illustrated part

**Modules Instrument Panel**  
**Figure 8-410**



ITEM	PART NUMBER	QTY	LINE	SERIES	BODY	ENGINE	TRANS	TRIM	DESCRIPTION
1	04686669AC	1	D		27, 29				MODULE, Keyless Entry Receiver [JDW]
		1	D		27, 29				[JCN]
2	04815227AG	1	D		27, 29				MODULE, Low Tire Pressure Warning [JCN]
		1	D		27, 29				[JDW]
3	05029670AM	1	D		27, 29				MODULE, Body Controller
4	05030349AC	1	D		27, 29	EWE			MODULE, Message Center

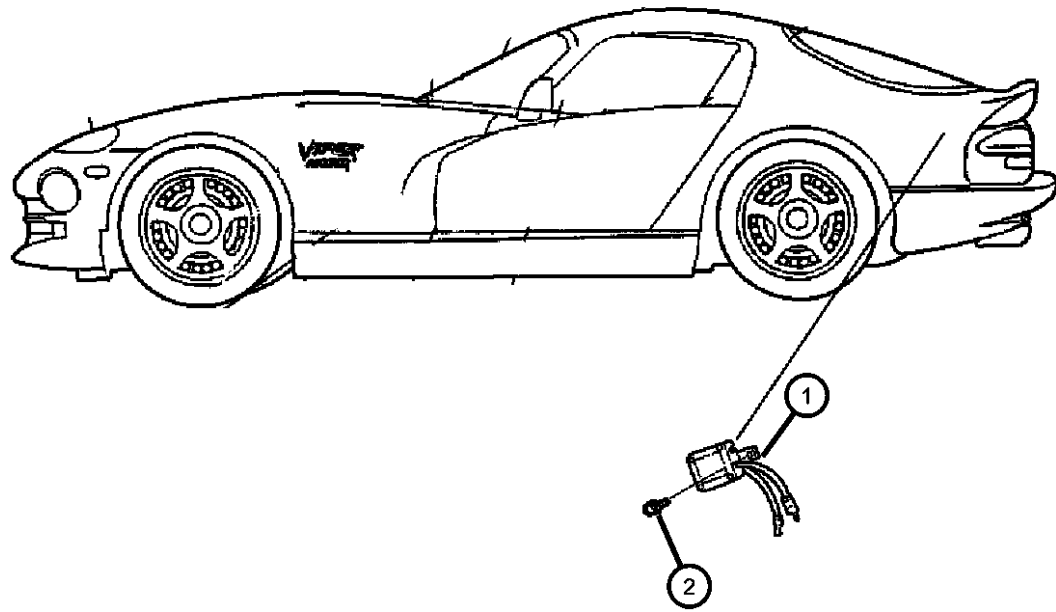
**VIPER (ZB)**

SERIES	LINE	BODY	ENGINE	TRANSMISSION
S = SPORT	D = DODGE	29 = SPECIALTY COUPE	EWE = 8.4L V10 SFI Engine	DEC = 6-Speed Manual Transmission
X = SPECIAL		27 = 2-DR CONVERTIBLE		

AR = use ase required - = Non illustrated part

Modules Body  
Figure 8-420

ITEM	PART NUMBER	QTY	LINE	SERIES	BODY	ENGINE	TRANS	TRIM	DESCRIPTION
1	68004329AA	1	D		27, 29				MODULE, Radio Antenna [JDW]
		1	D		27, 29				[JCN]
2		1							SCREW, Tapping, .19-16x1.75, (NOT SERVICED),



VIPER (ZB)

SERIES  
S = SPORT  
X = SPECIAL

LINE  
D = DODGE

BODY  
29 = SPECIALTY COUPE  
27 = 2-DR CONVERTIBLE

ENGINE  
EWE = 8.4L V10 SFI Engine

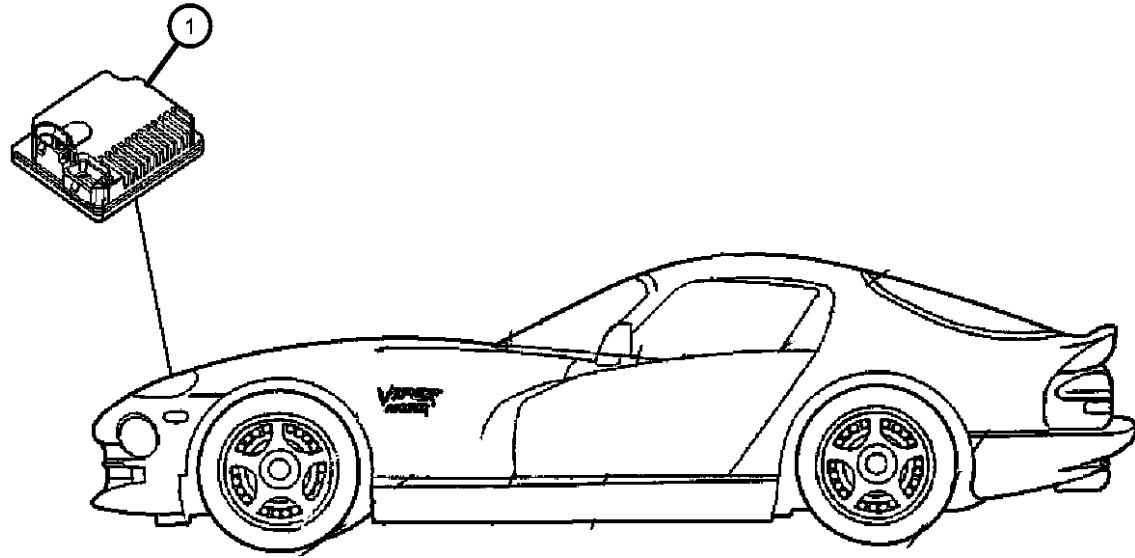
TRANSMISSION  
DEC = 6-Speed Manual Transmission

AR = use ase required - = Non illustrated part

2008 ZB

Modules Lighting  
Figure 8-425

ITEM	PART NUMBER	QTY	LINE	SERIES	BODY	ENGINE	TRANS	TRIM	DESCRIPTION
1	04865944AB	1	D		27, 29				MODULE, HID Bulb Powerpack



VIPER (ZB)

SERIES  
S = SPORT  
X = SPECIAL

LINE  
D = DODGE

BODY  
29 = SPECIALTY COUPE  
27 = 2-DR CONVERTIBLE

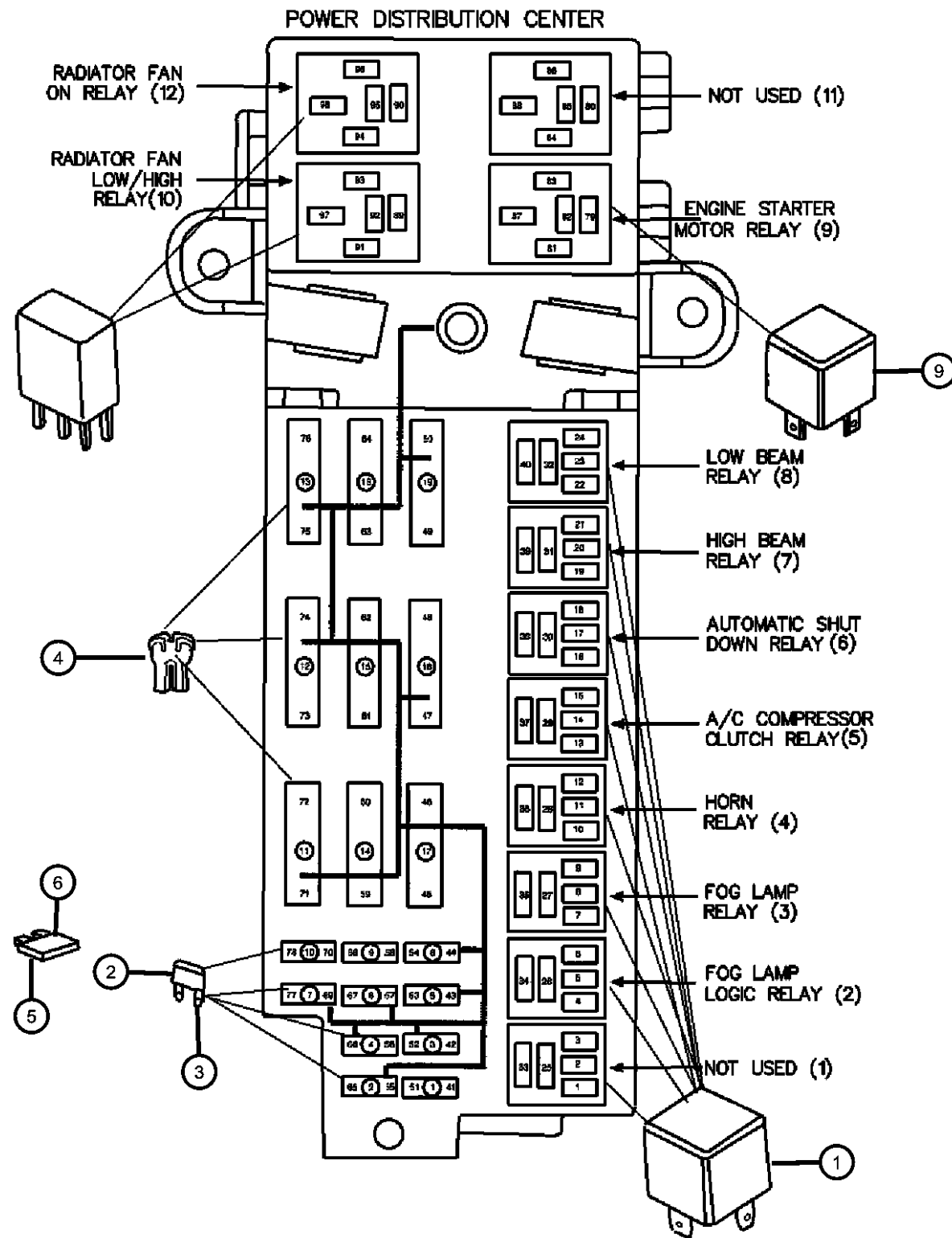
ENGINE  
EWE = 8.4L V10 SFI Engine

TRANSMISSION  
DEC = 6-Speed Manual Transmission

AR = use ase required - = Non illustrated part

2008 ZB

Power Distribution Center  
Figure 8-505



ITEM	PART NUMBER	QTY	LINE	SERIES	BODY	ENGINE	TRANS	TRIM	DESCRIPTION
1	04727370AA	1	D		27, 29				RELAY, Mini
2	000ATM10	2	D		27, 29				FUSE, Mini, 10 AMP, Red
3	000ATM25	1	D		27, 29				FUSE, Mini, 25 Amp, Natural
4	06102075AA	1	D		27, 29				FUSE CARTRIDGE, 20 Amp
5	04868007AA	1	D		27, 29				FUSE CARTRIDGE, 30 Amp
6	04868008AA	1	D		27, 29				FUSE CARTRIDGE, 40 Amp
-7	06101757	1	D		27, 29				FUSIBLE LINK
-8	05029294AD	1	D		27, 29				BRACKET, Power Distribution Center
9	04727370AA	1	D		27, 29				RELAY, Mini
-10	68027689AB	1	D		27, 29				COVER, Power Distribution Center

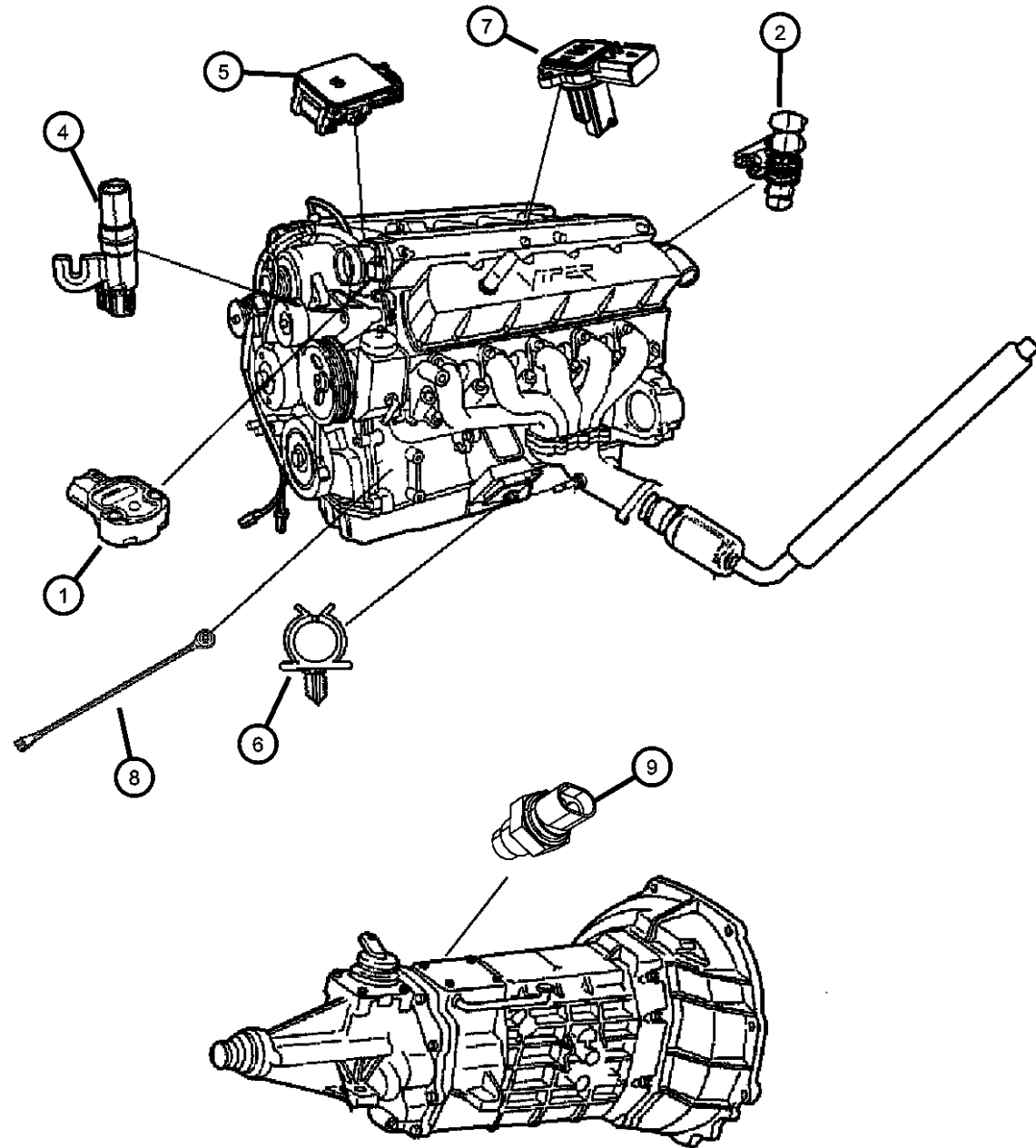
VIPER (ZB)

SERIES	LINE	BODY	ENGINE	TRANSMISSION
S = SPORT	D = DODGE	29 = SPECIALTY COUPE	EWE = 8.4L V10 SFI Engine	DEC = 6-Speed Manual Transmission
X = SPECIAL		27 = 2-DR CONVERTIBLE		

AR = use ase required - = Non illustrated part



Sensors, Gas Engine  
Figure 8-605



ITEM	PART NUMBER	QTY	LINE	SERIES	BODY	ENGINE	TRANS	TRIM	DESCRIPTION
1	68027689AB	1							SENSOR, Throttle Position, Serviced in throttle body assembly, (NOT SERVICED)
2	05033307AC	1	D		27, 29	EWE			SENSOR, Crankshaft Position
-3	05037678AC	1	D		27, 29	EWE			SHIELD, Crank Position Sensor
4	05149054AA	1	D		27, 29	EWE			SENSOR, Camshaft
5	05033310AB	1	D		27, 29	EWE			SENSOR, MAP
6	06016152	2	D		27, 29	EWE			CLIP
7	05037945AA	2	D		27, 29	EWE			SENSOR, Mass Airflow
8	05033316AA	2	D		27, 29	EWE			SENSOR, Knock
9	04626593	1	D		27, 29		DEC		SWITCH, Back Up Lamp

VIPER (ZB)

SERIES  
S = SPORT  
X = SPECIAL

LINE  
D = DODGE

BODY  
29 = SPECIALTY COUPE  
27 = 2-DR CONVERTIBLE

ENGINE  
EWE = 8.4L V10 SFI Engine

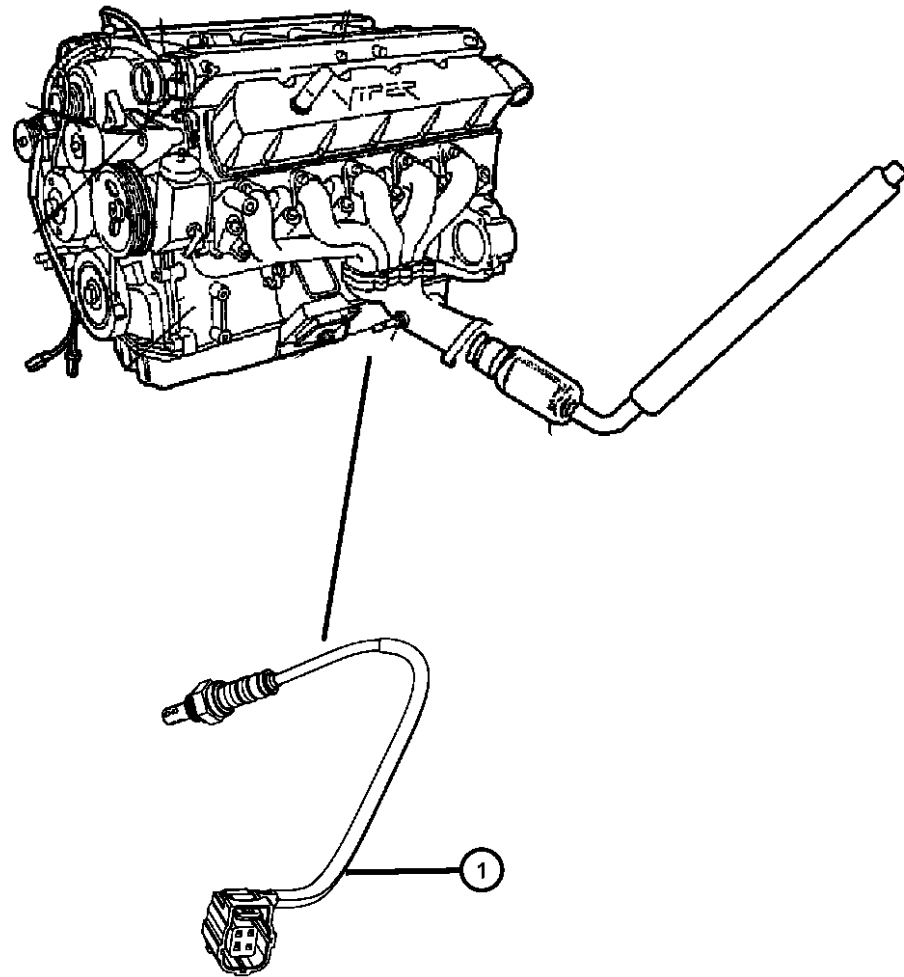
TRANSMISSION  
DEC = 6-Speed Manual Transmission

AR = use ase required - = Non illustrated part

2008 ZB

Sensors Oxygen Gas  
Figure 8-615

ITEM	PART NUMBER	QTY	LINE	SERIES	BODY	ENGINE	TRANS	TRIM	DESCRIPTION
1	56029050AA	1	D		27, 29	EWE			SENSOR, Oxygen DOWNSTREAM
		1	D		27, 29	EWE			



VIPER (ZB)

SERIES  
S = SPORT  
X = SPECIAL

LINE  
D = DODGE

BODY  
29 = SPECIALTY COUPE  
27 = 2-DR CONVERTIBLE

ENGINE  
EWE = 8.4L V10 SFI Engine

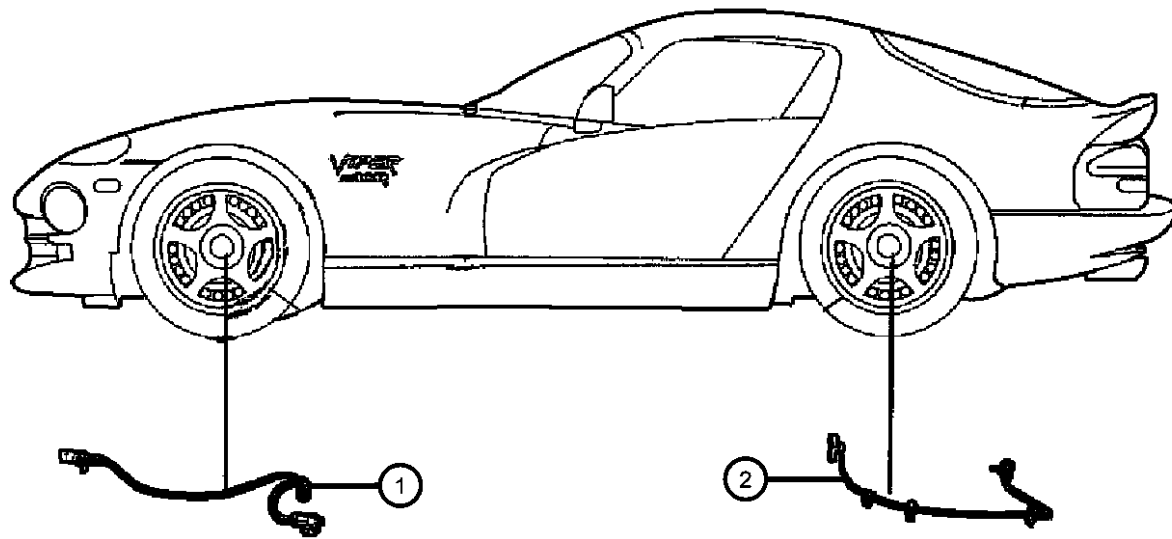
TRANSMISSION  
DEC = 6-Speed Manual Transmission

AR = use ase required - = Non illustrated part

2008 ZB

Sensors Brakes  
Figure 8-625

ITEM	PART NUMBER	QTY	LINE	SERIES	BODY	ENGINE	TRANS	TRIM	DESCRIPTION
1	05290952AA	2	D		27, 29				SENSOR, Anti-Lock BrakesFront
2	05290248AA	2	D		27, 29				SENSOR, Anti-Lock BrakesRear



VIPER (ZB)  
SERIES  
S = SPORT  
X = SPECIAL

LINE  
D = DODGE

BODY  
29 = SPECIALTY COUPE  
27 = 2-DR CONVERTIBLE

ENGINE  
EWE = 8.4L V10 SFI Engine

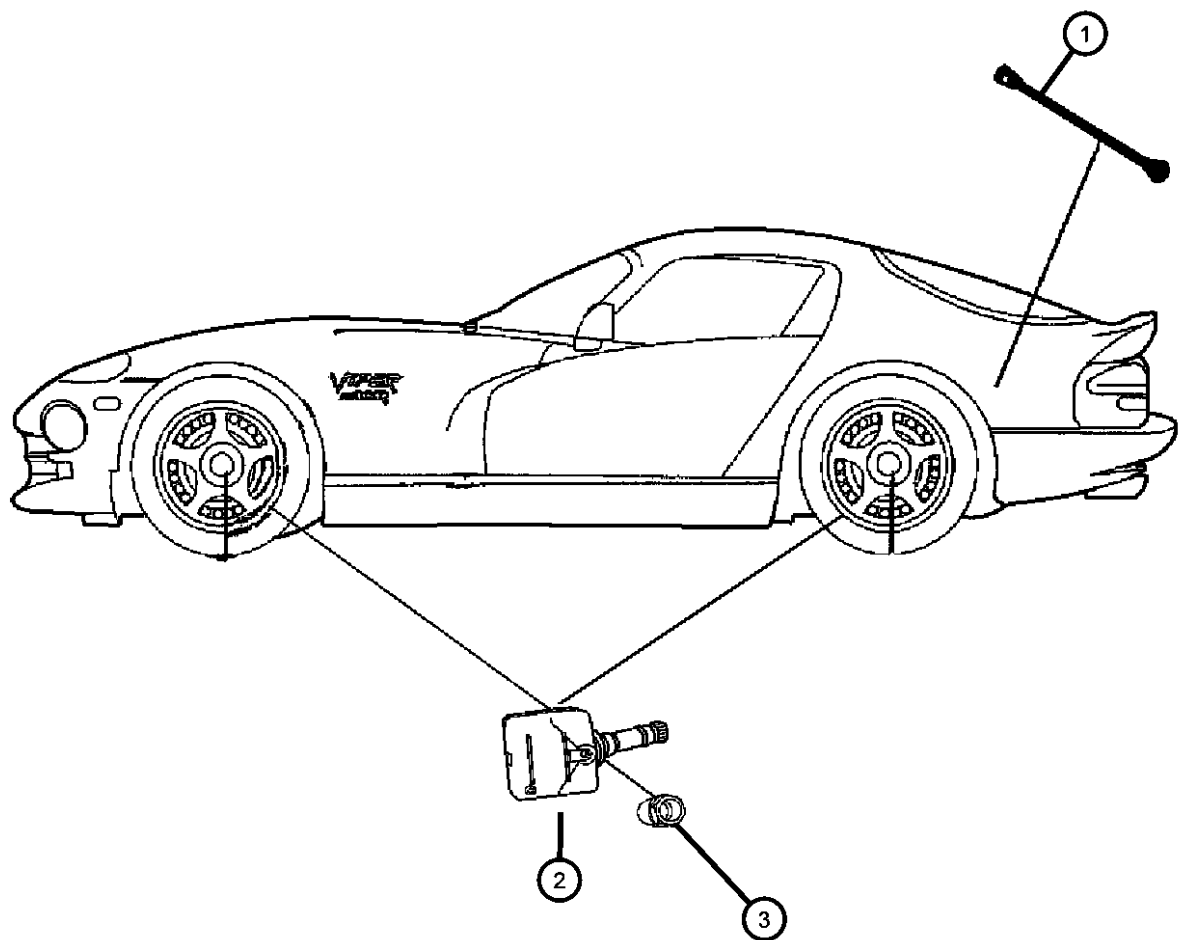
TRANSMISSION  
DEC = 6-Speed Manual Transmission

AR = use ase required - = Non illustrated part

2008 ZB

Sensors Body  
Figure 8-635

ITEM	PART NUMBER	QTY	LINE	SERIES	BODY	ENGINE	TRANS	TRIM	DESCRIPTION
1	56041053	1	D		27, 29				SENSOR, Battery Temperature
2	52088990AC	1	D		27, 29				SENSOR, Tire Pressure, Valve stem
3	52088961AA	1	D		27, 29				NUT, Tire Pressure Sensor



VIPER (ZB)

SERIES  
S = SPORT  
X = SPECIAL

LINE  
D = DODGE

BODY  
29 = SPECIALTY COUPE  
27 = 2-DR CONVERTIBLE

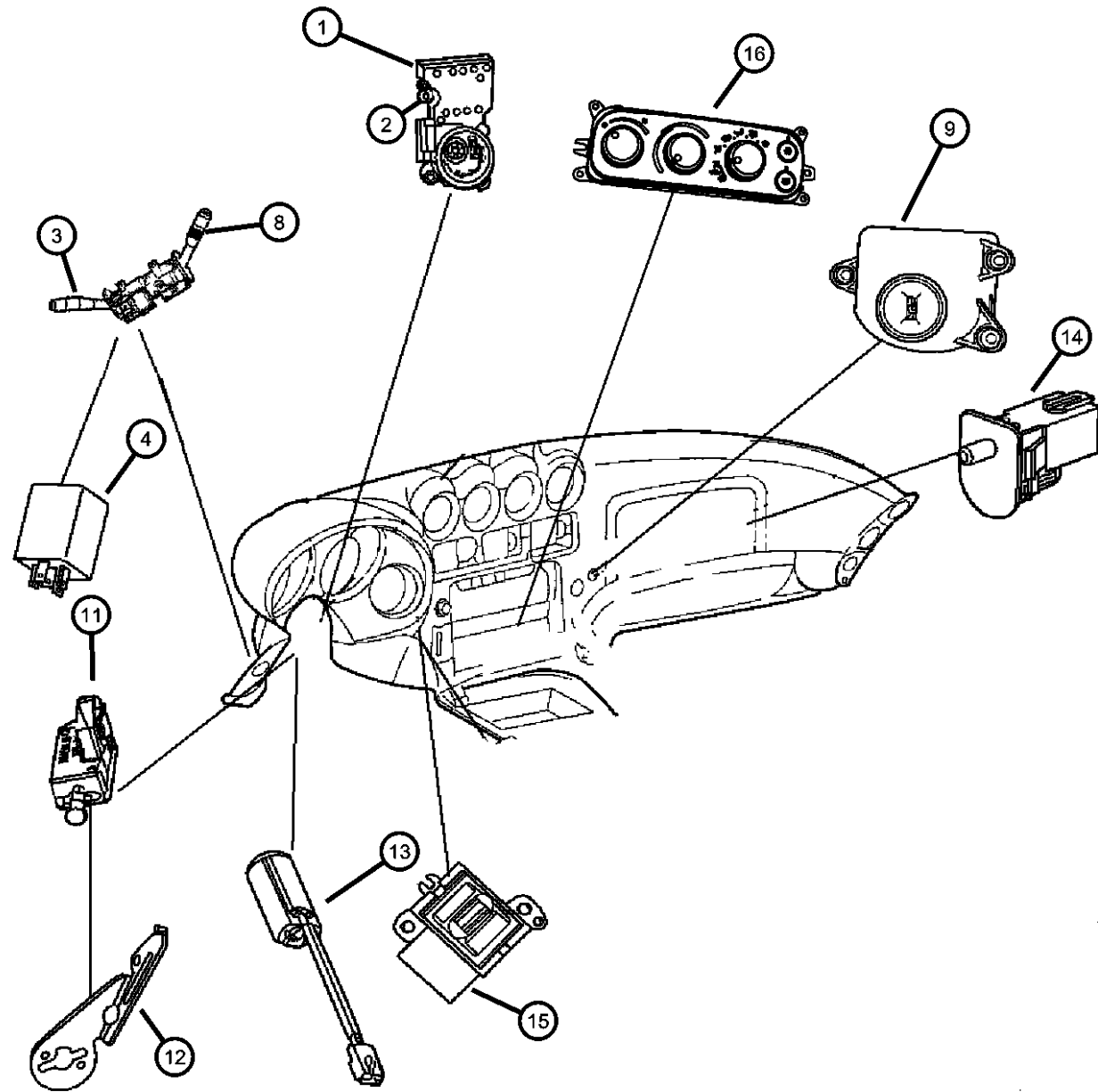
ENGINE  
EWE = 8.4L V10 SFI Engine

TRANSMISSION  
DEC = 6-Speed Manual Transmission

AR = use ase required - = Non illustrated part

2008 ZB

Switches Instrument Panel  
Figure 8-805



ITEM	PART NUMBER	QTY	LINE	SERIES	BODY	ENGINE	TRANS	TRIM	DESCRIPTION
1	04685719AC	1	D		27, 29				SWITCH, Ignition
	04865676AC	1	D		27, 29				[JAA+JBK]
		1	D		27, 29				[JAA+JBE]
2	06035021	1	D		27, 29				SCREW, Pan Head Tapping, .125-40x.437
3	05030198AA	1	D		27, 29				SWITCH, Multifunction Export
	05066185AA	1	D		27, 29				
4	04671714AC	1	D		27, 29				FLASHER
-5	04794302AA	1	D		27, 29				FOAM, Multifunction Switch
-6	06036075AA	1	D		27, 29				SCREW, Pan Head
-7	06503395	2	D		27, 29				SCREW AND WASHER, Self Tapping, M4x.7x14
8	05019710AA	1	D		27, 29				SWITCH, Intermittent Wiper
9	04865875AA	1	D		27, 29				SWITCH, Passenger Airbag Disarm
-10	05093434AA	1	D		27, 29				SCREW, Console
11	05083344AA	1	D		27, 29				SWITCH PACKAGE, Stop Lamp
12	05029206AB	1	D		27, 29				BRACKET, Stop Lamp Switch
13	53007944AB	1	D		27, 29				SWITCH, Clutch Starter Interlock
14	04565022	1	D		27, 29				SWITCH AND LAMP, Glove Box
15	56042387	1	D		27, 29				SWITCH, Pedal Adjuster
16	04865810AD	1	D		27, 29				CONTROL, A/C And Heater [JAA+JBK]
		1	D		27, 29				

VIPER (ZB)

SERIES

S = SPORT  
X = SPECIAL

LINE

D = DODGE

BODY

29 = SPECIALTY COUPE  
27 = 2-DR CONVERTIBLE

ENGINE

EWE = 8.4L V10 SFI Engine

TRANSMISSION

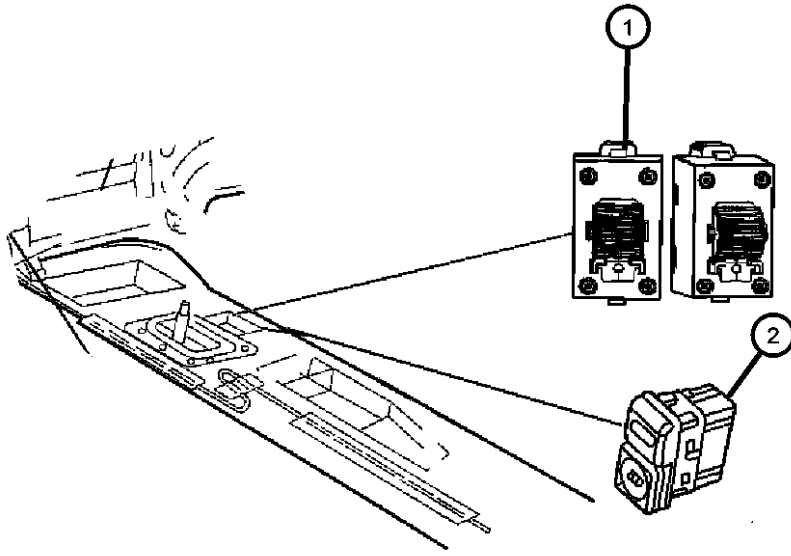
DEC = 6-Speed Manual Transmission

AR = use ase required - = Non illustrated part

2008 ZB

**Switches Console  
Figure 8-810**

ITEM	PART NUMBER	QTY	LINE	SERIES	BODY	ENGINE	TRANS	TRIM	DESCRIPTION
1	04608633AD	2	D		27, 29				SWITCH POWER WINDOW (SINGLE GANG)
		2	D		27, 29				
2		2							SWITCH, Electric Back Light, (NOT SERVICED)

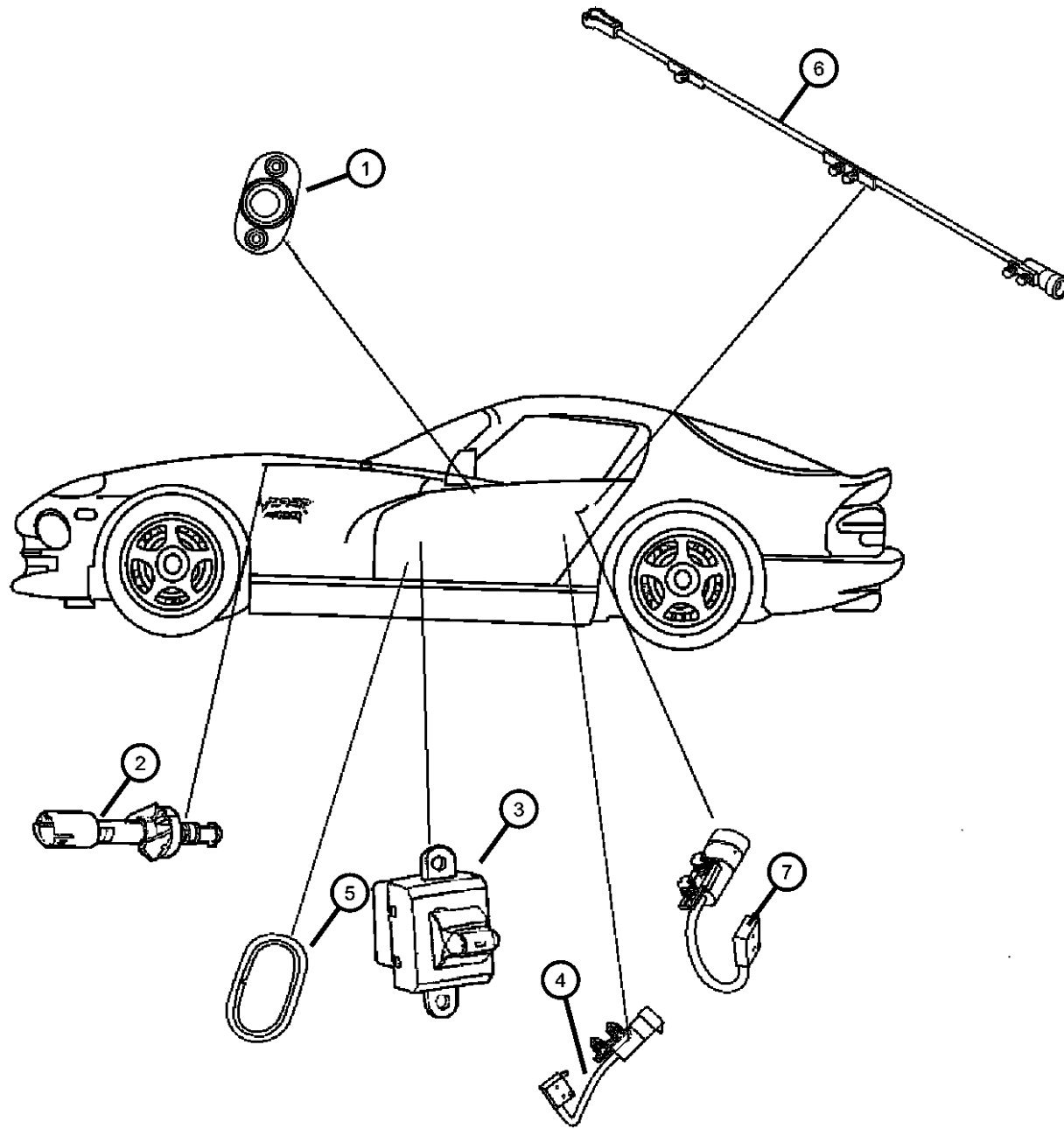


**VIPER (ZB)**  
 SERIES                      LINE                                      BODY                                      ENGINE                                      TRANSMISSION  
 S = SPORT                      D = DODGE                                      29 = SPECIALTY COUPE                      EWE = 8.4L V10 SFI Engine                      DEC = 6-Speed Manual Transmission  
 X = SPECIAL    27 = 2-DR CONVERTIBLE

AR = use ase required - = Non illustrated part

Switches Body  
Figure 8-820

ITEM	PART NUMBER	QTY	LINE	SERIES	BODY	ENGINE	TRANS	TRIM	DESCRIPTION
1	04608505AF	1	D		27, 29				SWITCH, Mirror
2	04687594AB	1	D		27, 29				SWITCH, Underhood
3	04685435	1	D		27, 29				SWITCH, Door lock
4	04865870AB	1	D		27, 29				SWITCH, Door Handle
5	05083970AA	1	D		27, 29				BEZEL, Switch
6	04685841AB	1	D		27, 29				SWITCH, Door Lock, Lock cylinder key position
7	05029677AA	1	D		27, 29				SWITCH, Outside Door Handle
-8	05093251AA	1	D		27, 29				SWITCH, Brake Fluid Level, Brake reservoir



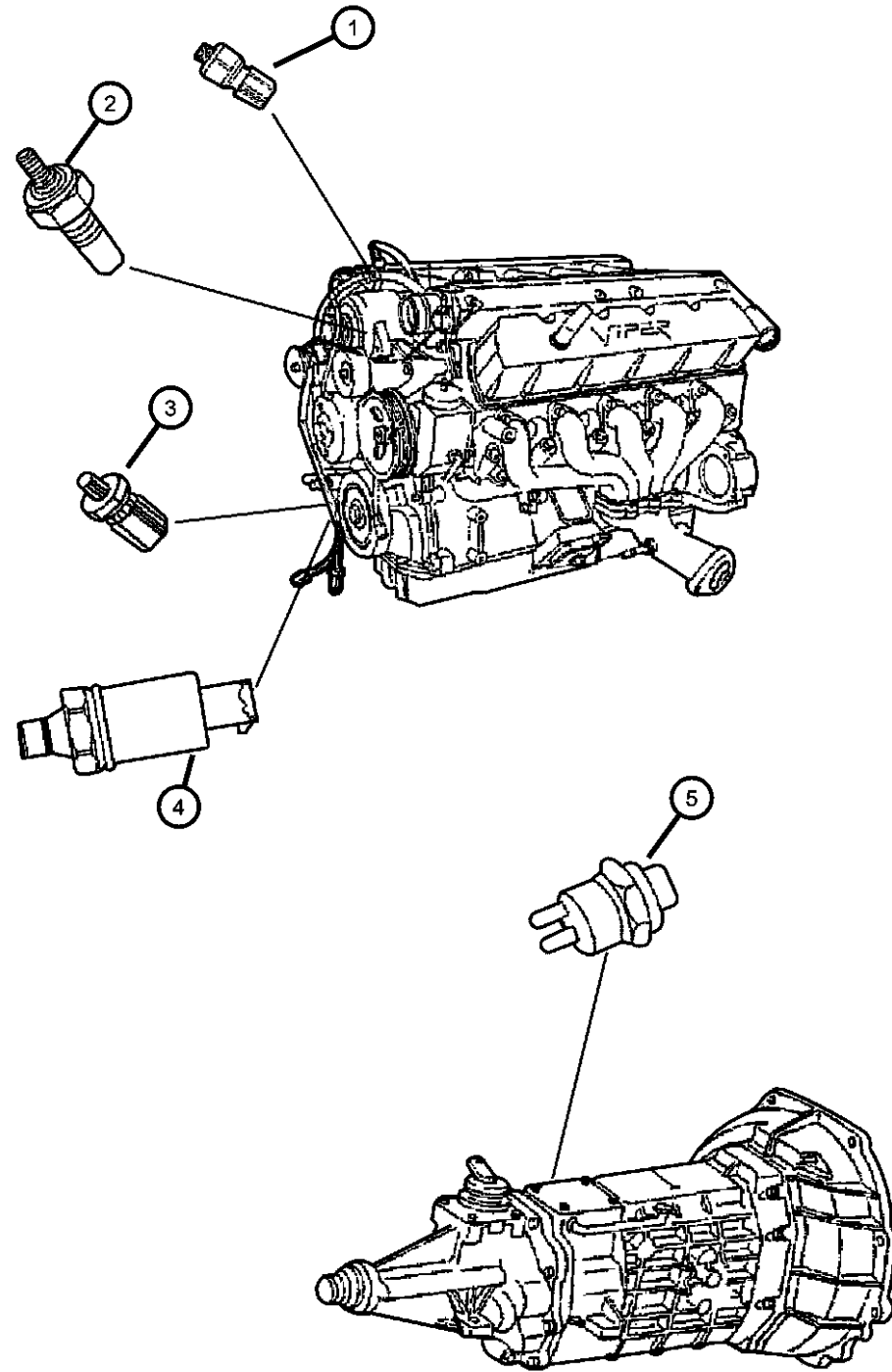
VIPER (ZB)

SERIES	LINE	BODY	ENGINE	TRANSMISSION
S = SPORT	D = DODGE	29 = SPECIALTY COUPE	EWE = 8.4L V10 SFI Engine	DEC = 6-Speed Manual Transmission
X = SPECIAL		27 = 2-DR CONVERTIBLE		

AR = use ase required - = Non illustrated part

2008 ZB

Switches Powertrain  
Figure 8-835



ITEM	PART NUMBER	QTY	LINE	SERIES	BODY	ENGINE	TRANS	TRIM	DESCRIPTION
1	05290274AB	1	D		27, 29				SWITCH, A/C Low Pressure Cut Off
2	05269870AB	1	D		27, 29	EWE			SENSOR, Coolant Temperature
3	05269870AB	1	D		27, 29	EWE			SENSOR, Coolant Temperature
4	05149064AA	1	D		27, 29	EWE			SENDING UNIT, Oil Pressure
5	04626593	1	D		27, 29		DEC		SWITCH, Back Up Lamp

VIPER (ZB)

SERIES  
S = SPORT  
X = SPECIAL

LINE  
D = DODGE

BODY  
29 = SPECIALTY COUPE  
27 = 2-DR CONVERTIBLE

ENGINE  
EWE = 8.4L V10 SFI Engine

TRANSMISSION  
DEC = 6-Speed Manual Transmission

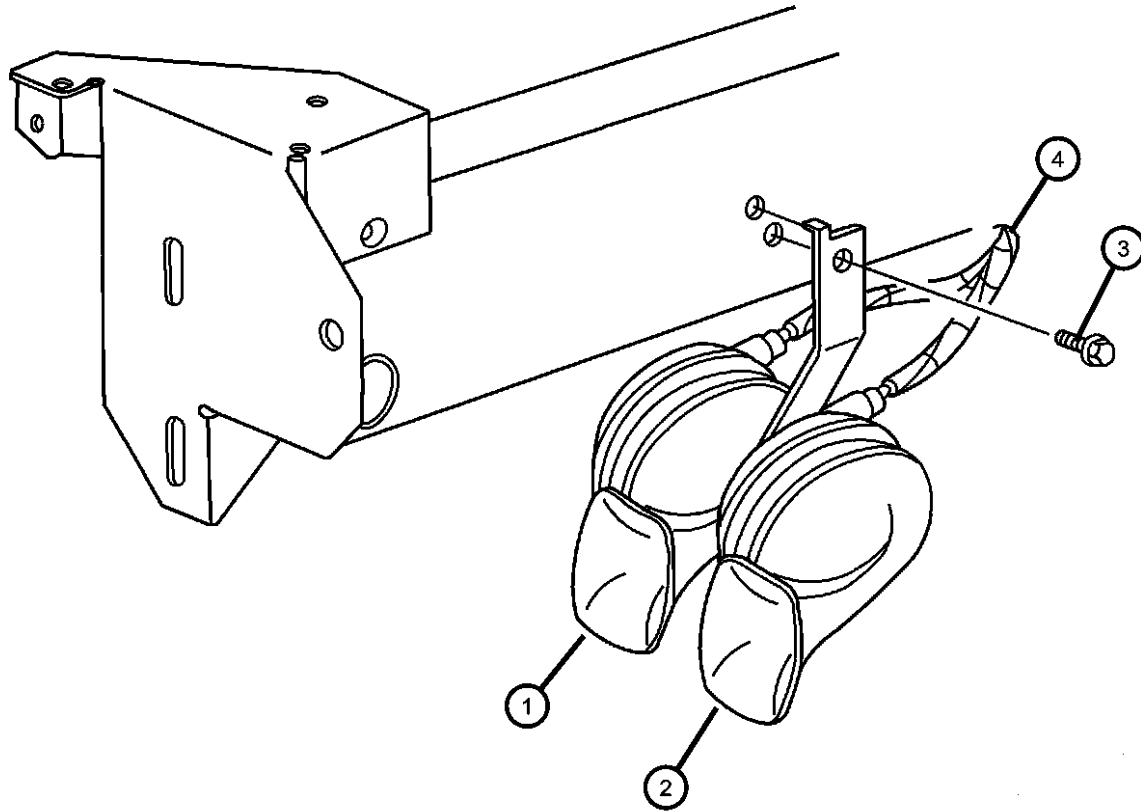
AR = use ase required - = Non illustrated part

2008 ZB



Horns  
Figure 8-905

ITEM	PART NUMBER	QTY	LINE	SERIES	BODY	ENGINE	TRANS	TRIM	DESCRIPTION
1	04760944AE	1	D		27, 29				HORN AND BRACKET, High Note
2	04760943AE	1	D		27, 29				HORN AND BRACKET, Low Note
3	04760943AE	1							SCREW, .250-14x.875, Horn Attaching, (NOT SERVICED)
4	04760943AE	1							WIRING, Headlamp to Dash, See 8-1305, (NOT SERVICED)



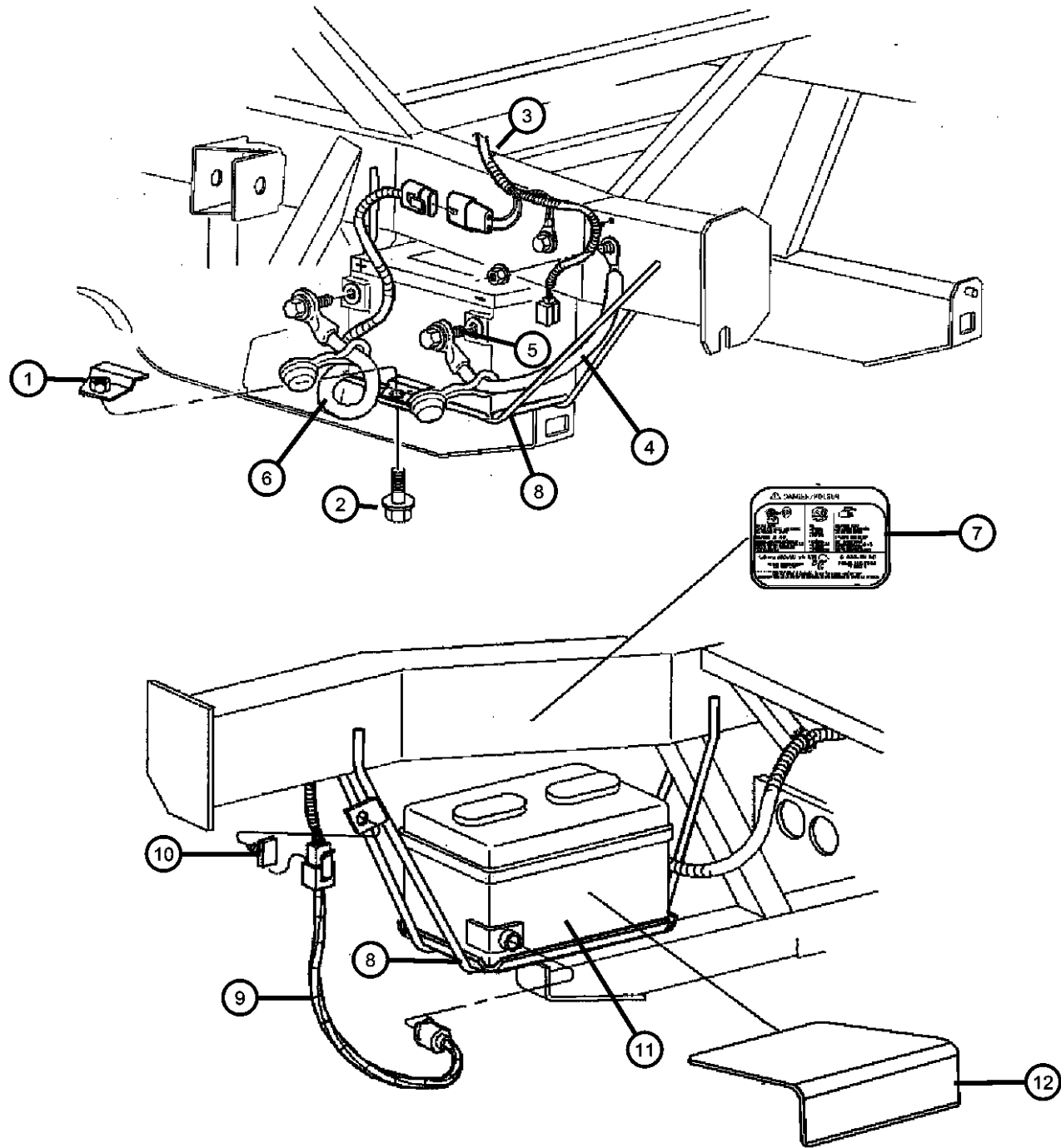
VIPER (ZB)

SERIES	LINE	BODY	ENGINE	TRANSMISSION
S = SPORT	D = DODGE	29 = SPECIALTY COUPE	EWE = 8.4L V10 SFI Engine	DEC = 6-Speed Manual Transmission
X = SPECIAL		27 = 2-DR CONVERTIBLE		

AR = use ase required - = Non illustrated part

2008 ZB

**Battery Tray and Support  
Figure 8-1005**



ITEM	PART NUMBER	QTY	LINE	SERIES	BODY	ENGINE	TRANS	TRIM	DESCRIPTION
1	05202588	1	D		27, 29				RETAINER, Battery
2	05202588	1							SCREW AND WASHER, Hex Head, M8x1.25x30, (NOT SERVICED)
3	05202588	1							WIRING, Body, See 8 1505, (NOT SERVICED)
4	05029668AA	1	D		27, 29				WIRING, Battery Negative
5	05161517AA	1	D		27, 29				TERMINAL, Battery, Negative
6	05161517AA	1							WIRING, Battery Positive, Serviced in Body Harness only, (NOT SERVICED)
7	04848923AA	1	D		27, 29				LABEL, Battery
8	04848923AA	1							TRAY, Battery, Serviced in frame assembly, (NOT SERVICED)
9	56041053	1	D		27, 29				SENSOR, Battery Temperature
10	56041053	1							CLIP, [9MM], (NOT SERVICED)
11	04609365AE	1	D		27, 29				BATTERY
	BB034600AA								Mopar Replacement Battery (72 Series)
	BBH34800AA								Mopar Replacement Battery (84 Series)
12	05029087AA	1	D		27				COVER, Battery
		1	D		29				

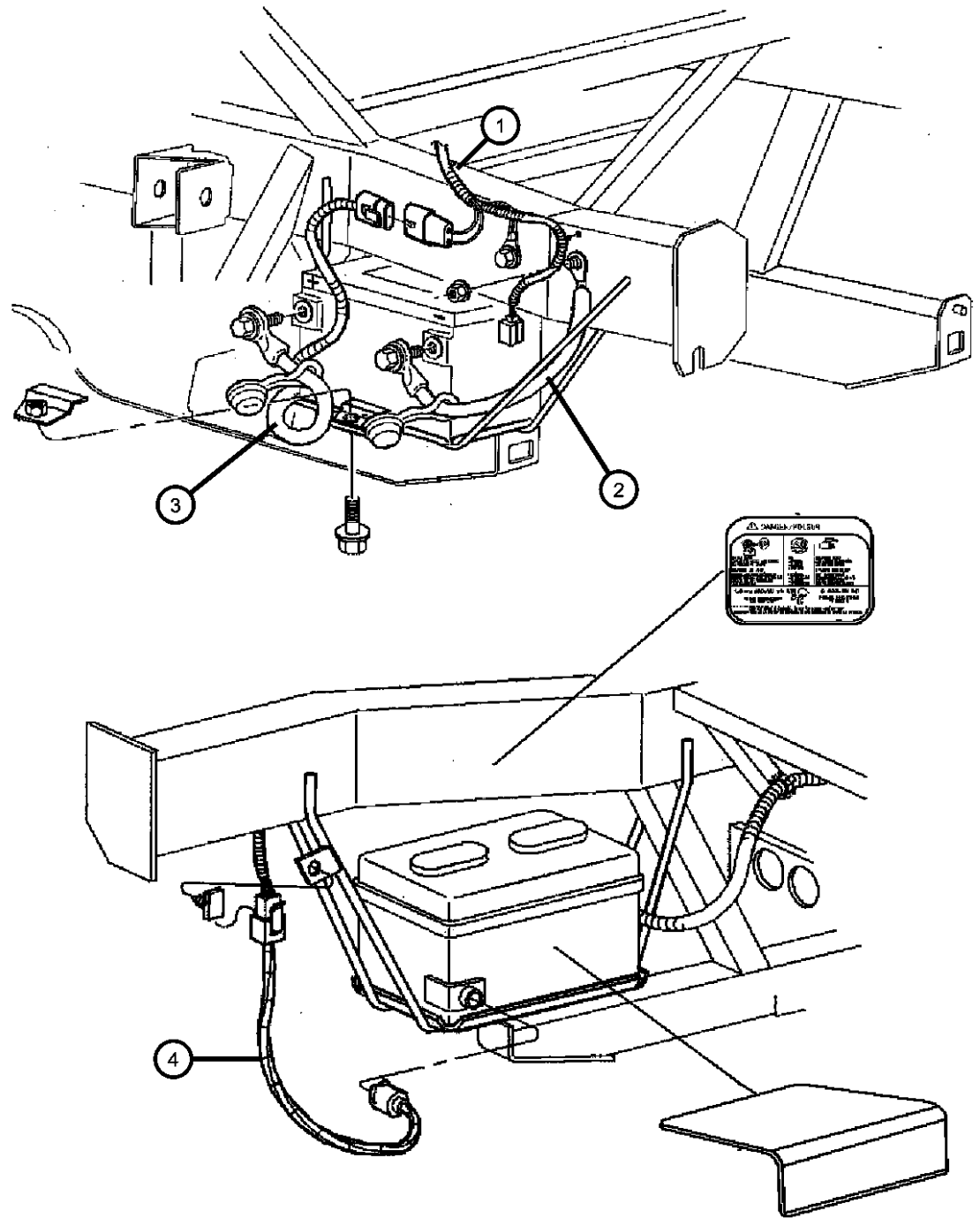
**VIPER (ZB)**

SERIES	LINE	BODY	ENGINE	TRANSMISSION
S = SPORT	D = DODGE	29 = SPECIALTY COUPE	EWE = 8.4L V10 SFI Engine	DEC = 6-Speed Manual Transmission
X = SPECIAL		27 = 2-DR CONVERTIBLE		

AR = use ase required - = Non illustrated part

**Battery Wiring  
Figure 8-1010**

ITEM	PART NUMBER	QTY	LINE	SERIES	BODY	ENGINE	TRANS	TRIM	DESCRIPTION
1		1							WIRING, Body, See 8 1505, (NOT SERVICED)
2	05029668AA	1	D		27, 29				WIRING, Battery Negative
3	05029668AA	1							WIRING, Battery Positive, Serviced in Body Harness only, (NOT SERVICED)
4	56041053	1	D		27, 29				SENSOR, Battery Temperature



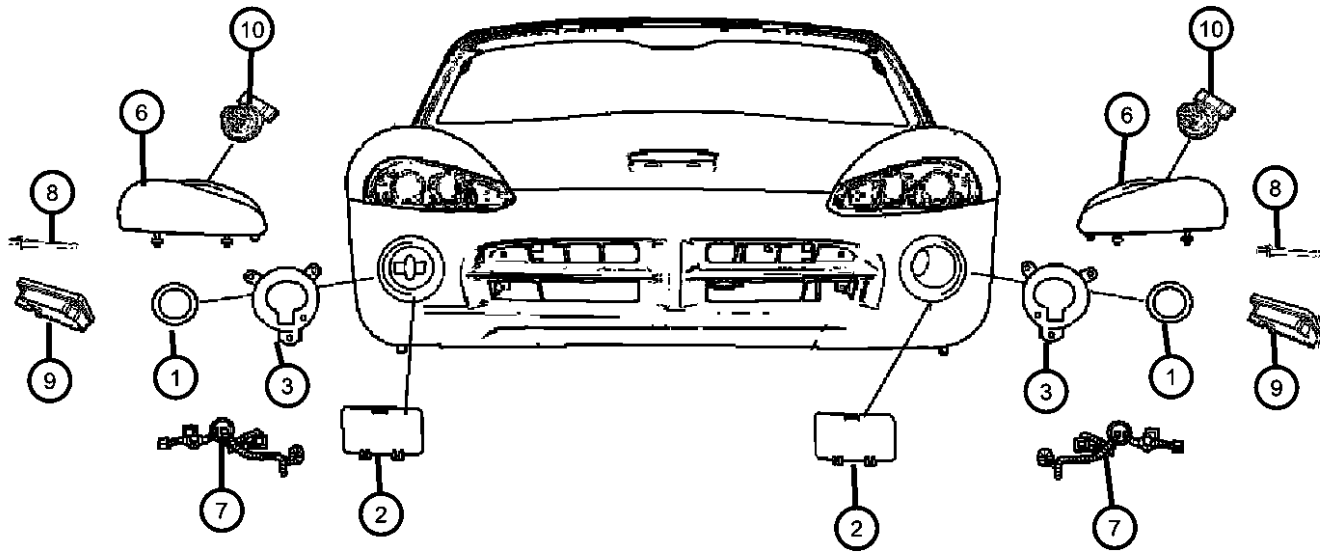
**VIPER (ZB)**

SERIES	LINE	BODY	ENGINE	TRANSMISSION
S = SPORT	D = DODGE	29 = SPECIALTY COUPE	EWE = 8.4L V10 SFI Engine	DEC = 6-Speed Manual Transmission
X = SPECIAL		27 = 2-DR CONVERTIBLE		

AR = use ase required - = Non illustrated part

Lamps Front  
Figure 8-1105

ITEM	PART NUMBER	QTY	LINE	SERIES	BODY	ENGINE	TRANS	TRIM	DESCRIPTION
1	05030220AA	2	D	S	27, 29				LAMP, Fog
2	04865822AA	1	D		27, 29				PANEL, Fog Lamp
3	05029228AA	2	D		27, 29				BRACKET, Fog Lamp
-4	05029228AA	2							SCREW, Hex Head Tapping, .19-16x1, (NOT SERVICED)
-5	05029228AA	2							SEAL, Fog Lamp, Serviced in Fog Lamp Assembly, (NOT SERVICED)
6									HEADLAMP
	04865484AH	1	D		27, 29				[LMP], Left
	04865485AH	1	D		27, 29				[LMP], Right
	05030187AA	1	D		27, 29				[LMV], Left
	05030188AA	1	D		27, 29				[LMV], Right
	05030189AA	1	D		27, 29				[LMY], Left
	05030190AA	1	D		27, 29				[LMY], Right
7	05030505AB	1	D		27, 29				WIRING, Headlamp Jumper
8	05029065AA	1	D		27, 29				SOCKET, Headlamp
9	04865944AB	1	D		27, 29				MODULE, HID Bulb Powerpack
10	04399639	1	D		27, 29				SOCKET, Park And Turn Signal
-11	04865497AA	1	D		27, 29				HOSE, Windshield Washer
-12	06502871	2	D		27, 29				RETAINER

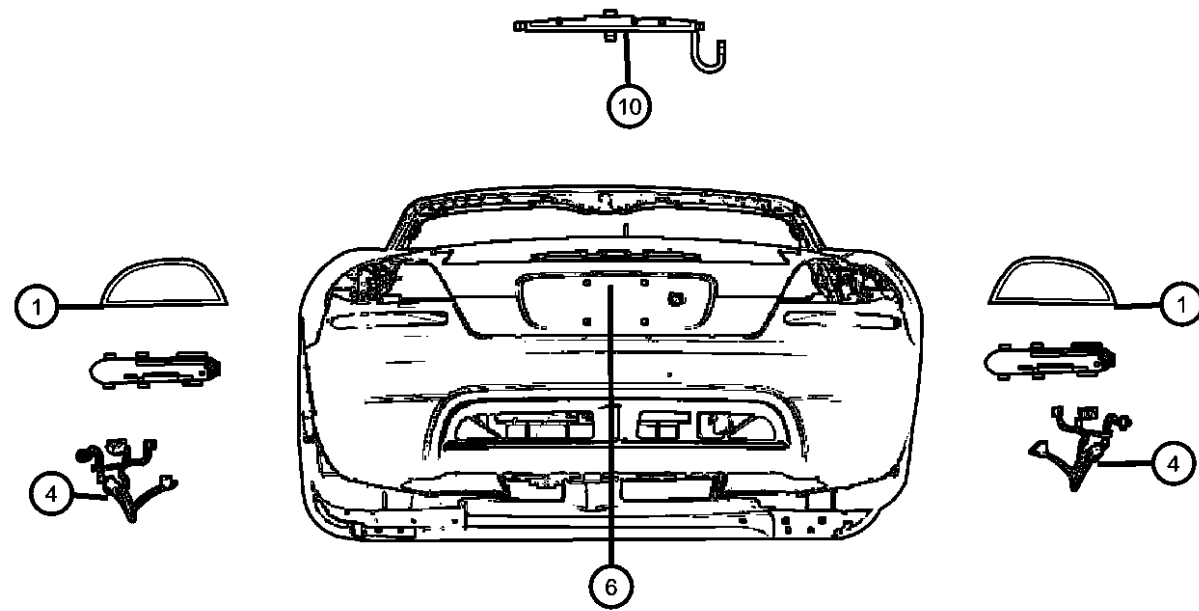


VIPER (ZB)

SERIES	LINE	BODY	ENGINE	TRANSMISSION
S = SPORT	D = DODGE	29 = SPECIALTY COUPE	EWE = 8.4L V10 SFI Engine	DEC = 6-Speed Manual Transmission
X = SPECIAL		27 = 2-DR CONVERTIBLE		

AR = use ase required - = Non illustrated part

Lamps Rear  
Figure 8-1110



ITEM	PART NUMBER	QTY	LINE	SERIES	BODY	ENGINE	TRANS	TRIM	DESCRIPTION
1									LAMP, Tail Stop Turn
	04865486AH	1	D		27				Right
	05030321AB	1	D		29				Left
	04865487AH	1	D		27				Left
	04865488AF	1	D		27, 29				Right, Export
	04865489AF	1	D		27, 29				Left, Export
	05030320AB	1	D		29				Right
-2									WASHER, Flat, Round, ID.220, OD.75, THK.10
	04073371	2	D		27				
		4	D		29				
-3	05003368AA	2	D		27				VENT
4									WIRING, Taillamp
	05030304AB	1	D		29				
	05030506AA	1	D		27				
-5	06502589	6	D		27, 29				NUT, Wing, M6
6	04642929AB	2	D		27				LAMP, License Plate
-7	04642929AB	2							SCREW, Tapping, .19-16x.75, License Lamp Attaching, (NOT SERVICED)
-8									NUT, U Type, .190-16
	06034537	12	D		27				
		18	D		29				
-9	05030501AB	1	D		27				WIRING, High Mounted Stop Lamp
10	04865655AE	1	D		27				LAMP, High Mounted Stop
-11	06101447	4	D		27				NUT AND WASHER, M6x1.00
-12	05030242AA	2							SHIM
-13	04399599	1	D		27, 29				SEAL, Socket
-14	04523097	1	D		27, 29				SOCKET, Turn Signal Lamp
-15	05030195AA	1							WIRING, Fog Lamp
-16	05030220AA	2	D	S	27, 29				LAMP, Fog
-17									LAMP, Side Marker
	05030322AA	1	D		29				Right
	05030323AA	1	D		29				Left
-18									PANEL, Taillamp Mounting
	05030317AB	1	D		29				Left
	05030316AB	1	D		29				Right

VIPER (ZB)

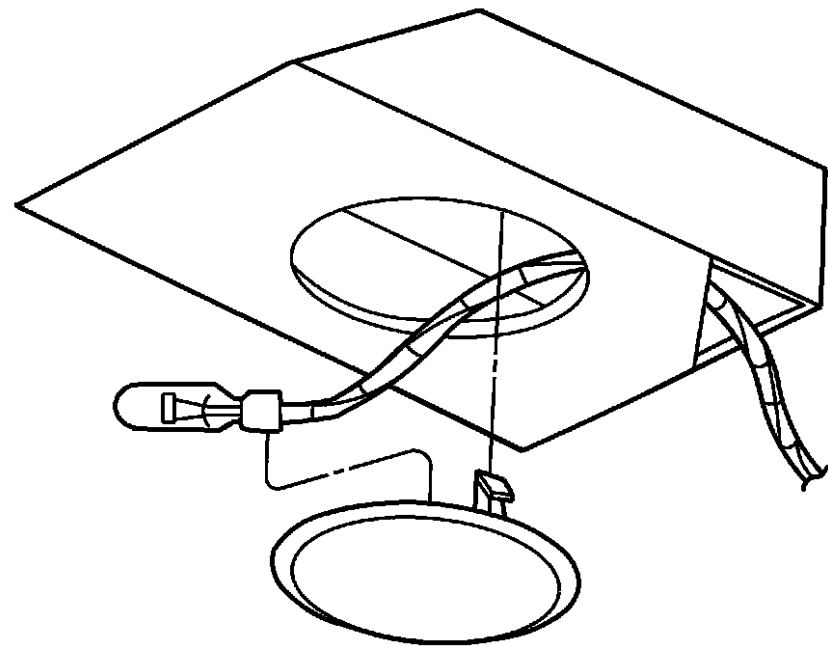
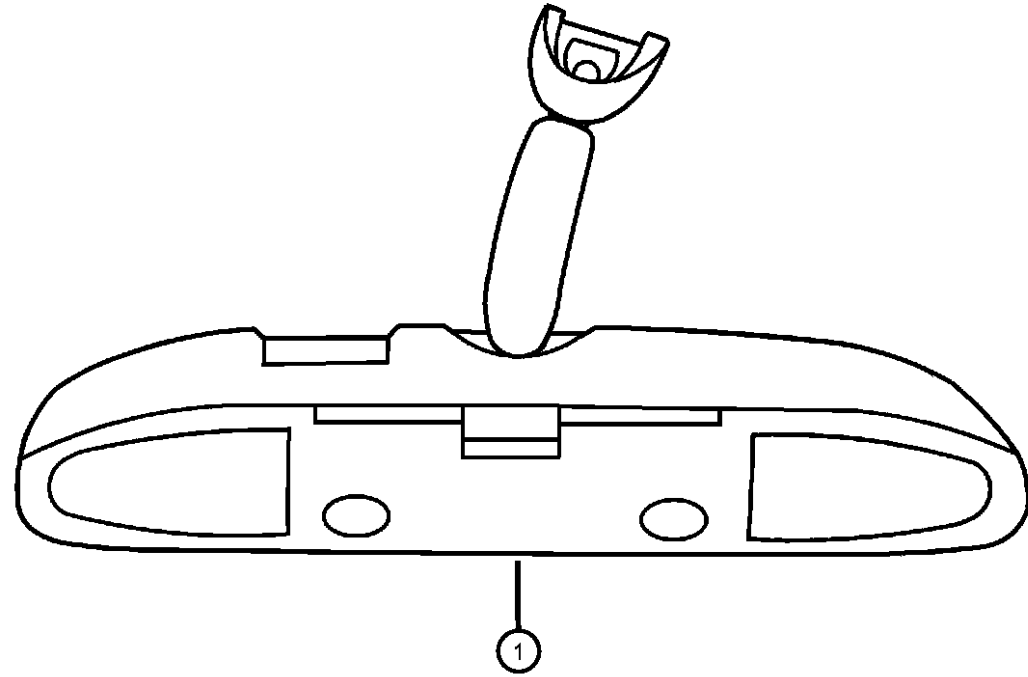
SERIES	LINE	BODY	ENGINE	TRANSMISSION
S = SPORT	D = DODGE	29 = SPECIALTY COUPE	EWE = 8.4L V10 SFI Engine	DEC = 6-Speed Manual Transmission
X = SPECIAL		27 = 2-DR CONVERTIBLE		

AR = use ase required - = Non illustrated part

2008 ZB

Lamps Interior  
Figure 8-1115

ITEM	PART NUMBER	QTY	LINE	SERIES	BODY	ENGINE	TRANS	TRIM	DESCRIPTION
1	05029067AB	1	D		27, 29				MIRROR, Inside Rear View, Lighted
-2	05030303AB	1	D		29				WIRING, Courtesy Lamp



VIPER (ZB)

SERIES  
S = SPORT  
X = SPECIAL

LINE  
D = DODGE

BODY  
29 = SPECIALTY COUPE  
27 = 2-DR CONVERTIBLE

ENGINE  
EWE = 8.4L V10 SFI Engine

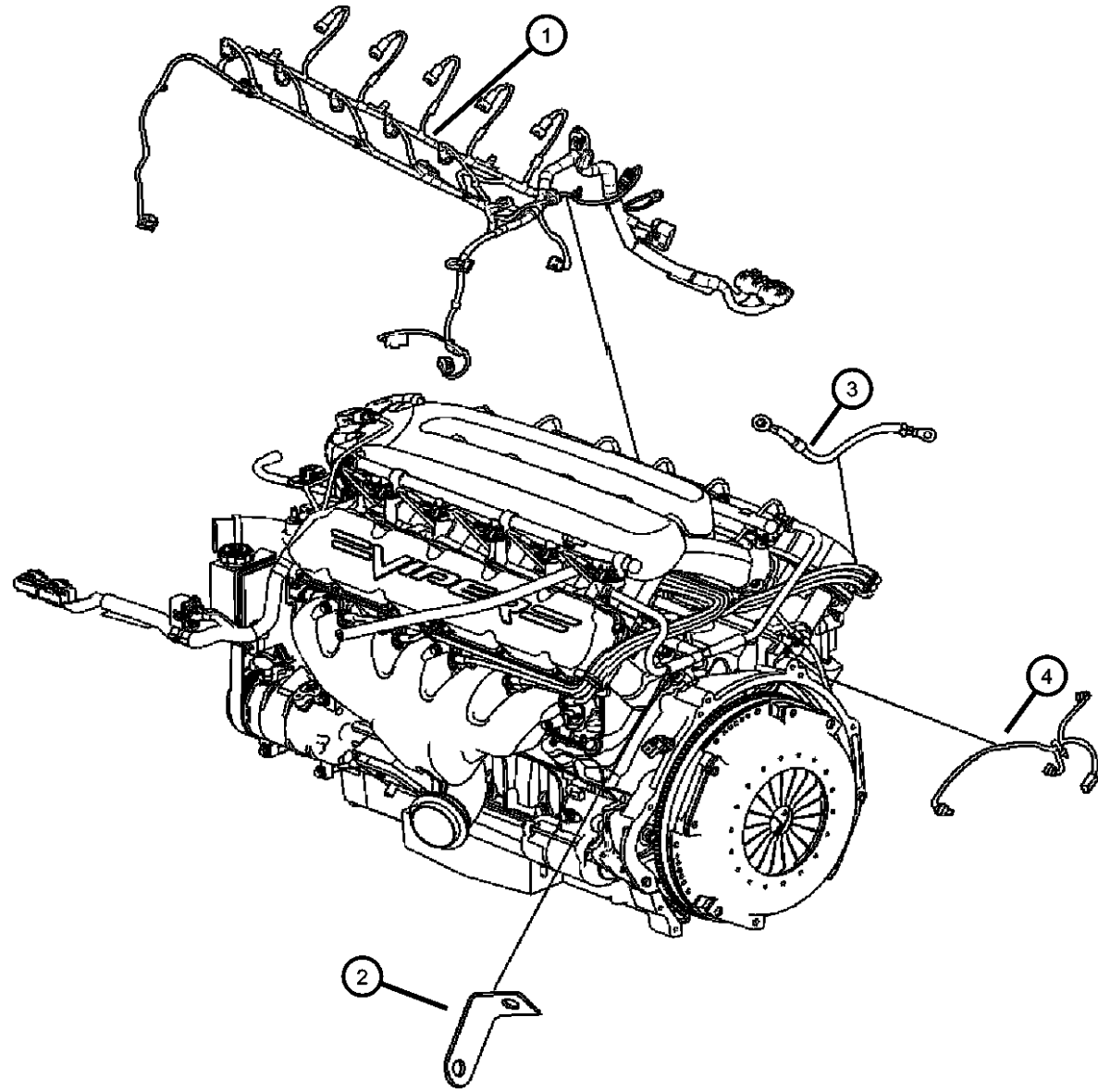
TRANSMISSION  
DEC = 6-Speed Manual Transmission

AR = use ase required - = Non illustrated part

2008 ZB

**Wiring Engine Gas**  
**Figure 8-1205**

ITEM	PART NUMBER	QTY	LINE	SERIES	BODY	ENGINE	TRANS	TRIM	DESCRIPTION
1	05030269AD	1	D		27, 29	EWE			WIRING, Engine
2	05030269AD	1							BRACKET, Wire Harness, (NOT SERVICED)
3	05029676AA	1	D		27, 29				WIRING, Engine Ground
4	05029676AA	1							WIRING, Transmission, Serviced in the engine wiring, (NOT SERVICED)



**VIPER (ZB)**

SERIES  
S = SPORT  
X = SPECIAL

LINE  
D = DODGE

BODY  
29 = SPECIALTY COUPE  
27 = 2-DR CONVERTIBLE

ENGINE  
EWE = 8.4L V10 SFI Engine

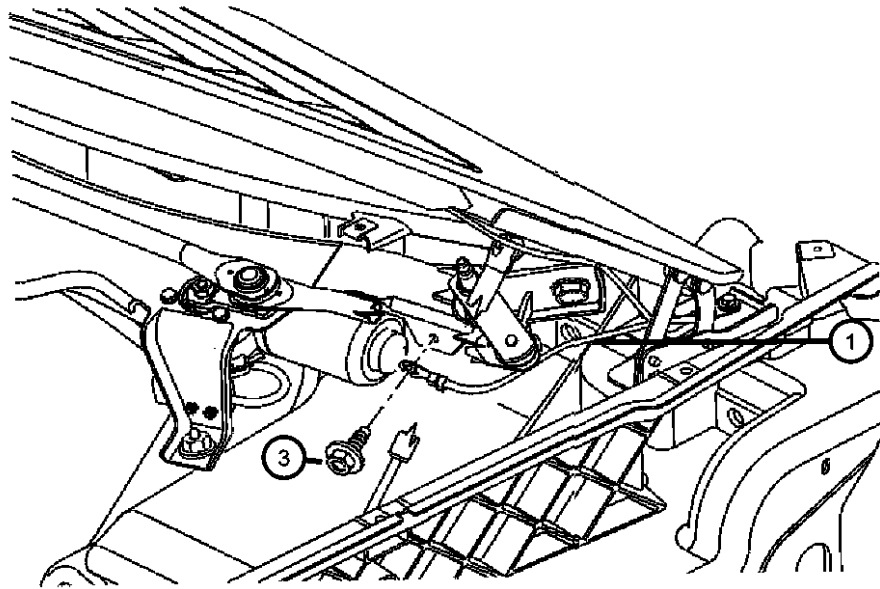
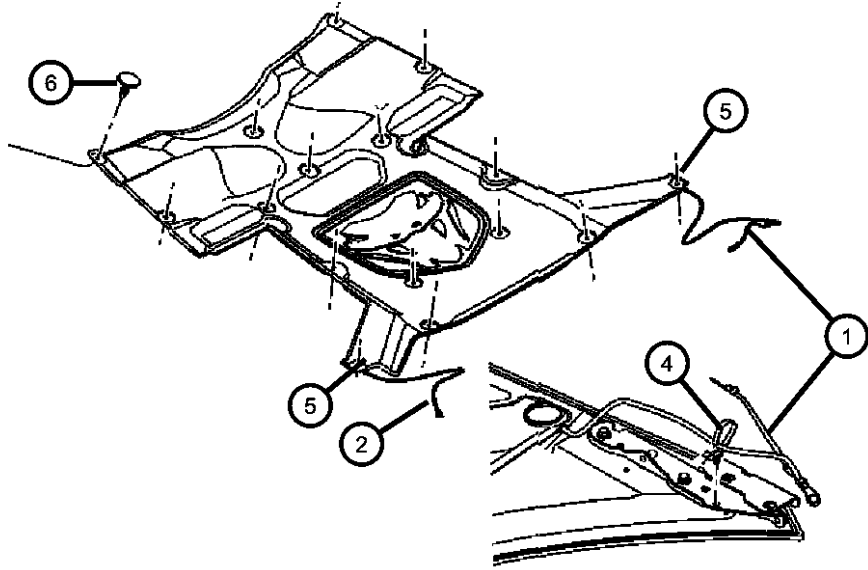
TRANSMISSION  
DEC = 6-Speed Manual Transmission

AR = use ase required - = Non illustrated part

2008 ZB

**Ground Straps  
Figure 8-1220**

ITEM	PART NUMBER	QTY	LINE	SERIES	BODY	ENGINE	TRANS	TRIM	DESCRIPTION
1	05029214AD	1	D		27, 29				STRAP, GroundLeft
2	05029027AD	1	D		27, 29				STRAP, GroundRight
3	06506210AA	1	D		27, 29				SCREW, Ground strap attaching
4	04793468	2	D		27, 29				CLIP, Ground strap attaching
5	06509218AA	2	D		27, 29				PUSH PIN, Ground Strap to Hood Inner Panel
6	06506293AA	8	D		27, 29				PIN, Push, Hood insulator attaching



**VIPER (ZB)**

SERIES	LINE	BODY	ENGINE	TRANSMISSION
S = SPORT	D = DODGE	29 = SPECIALTY COUPE	EWE = 8.4L V10 SFI Engine	DEC = 6-Speed Manual Transmission
X = SPECIAL		27 = 2-DR CONVERTIBLE		

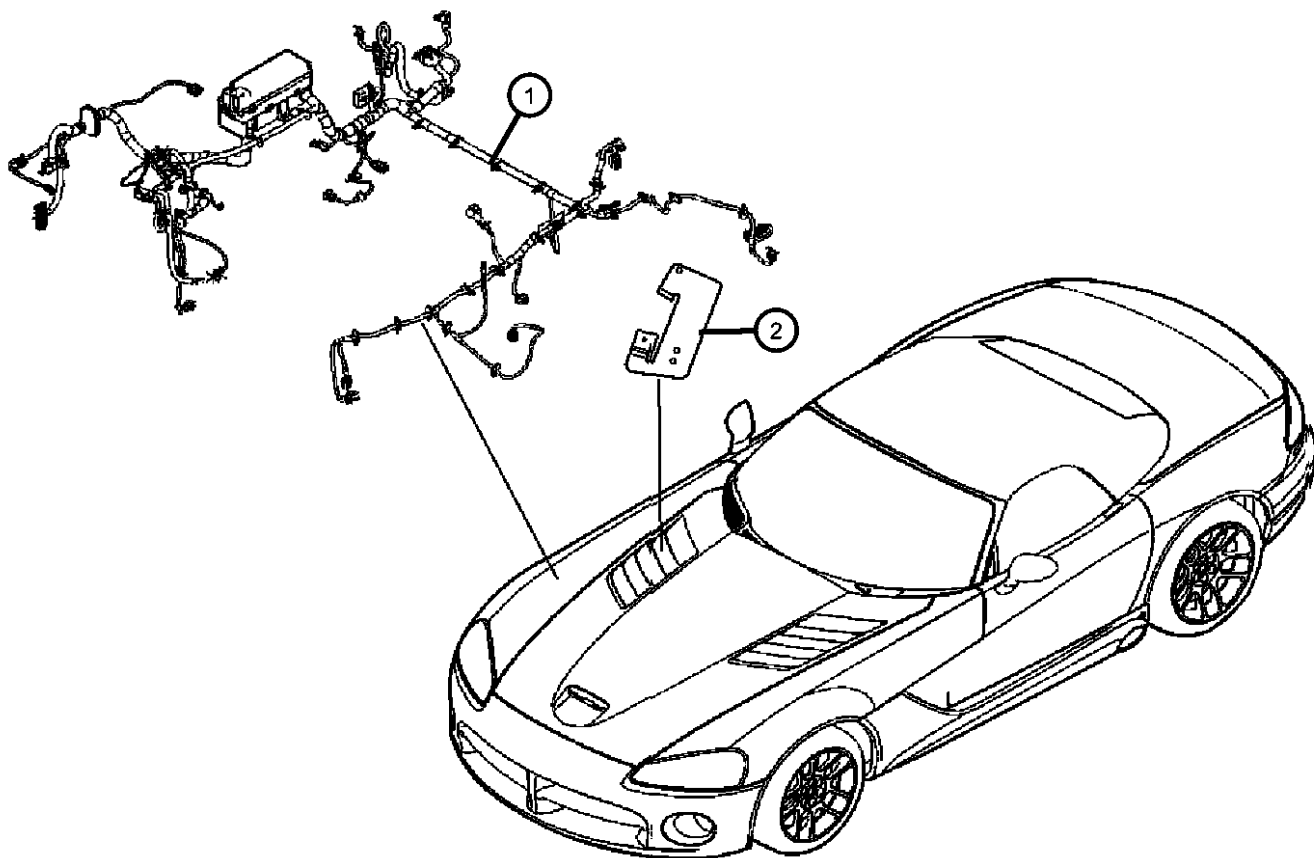
AR = use ase required - = Non illustrated part

2008 ZB



**Wiring Headlamp to Dash  
Figure 8-1305**

ITEM	PART NUMBER	QTY	LINE	SERIES	BODY	ENGINE	TRANS	TRIM	DESCRIPTION
1	05030432AF	1	D		27, 29				WIRING, Headlamp and Dash
2	05029211AC	1	D		27, 29				BRACKET, Wiring Harness



**VIPER (ZB)**  
 SERIES  
 S = SPORT  
 X = SPECIAL

LINE  
 D = DODGE

BODY  
 29 = SPECIALTY COUPE  
 27 = 2-DR CONVERTIBLE

ENGINE  
 EWE = 8.4L V10 SFI Engine

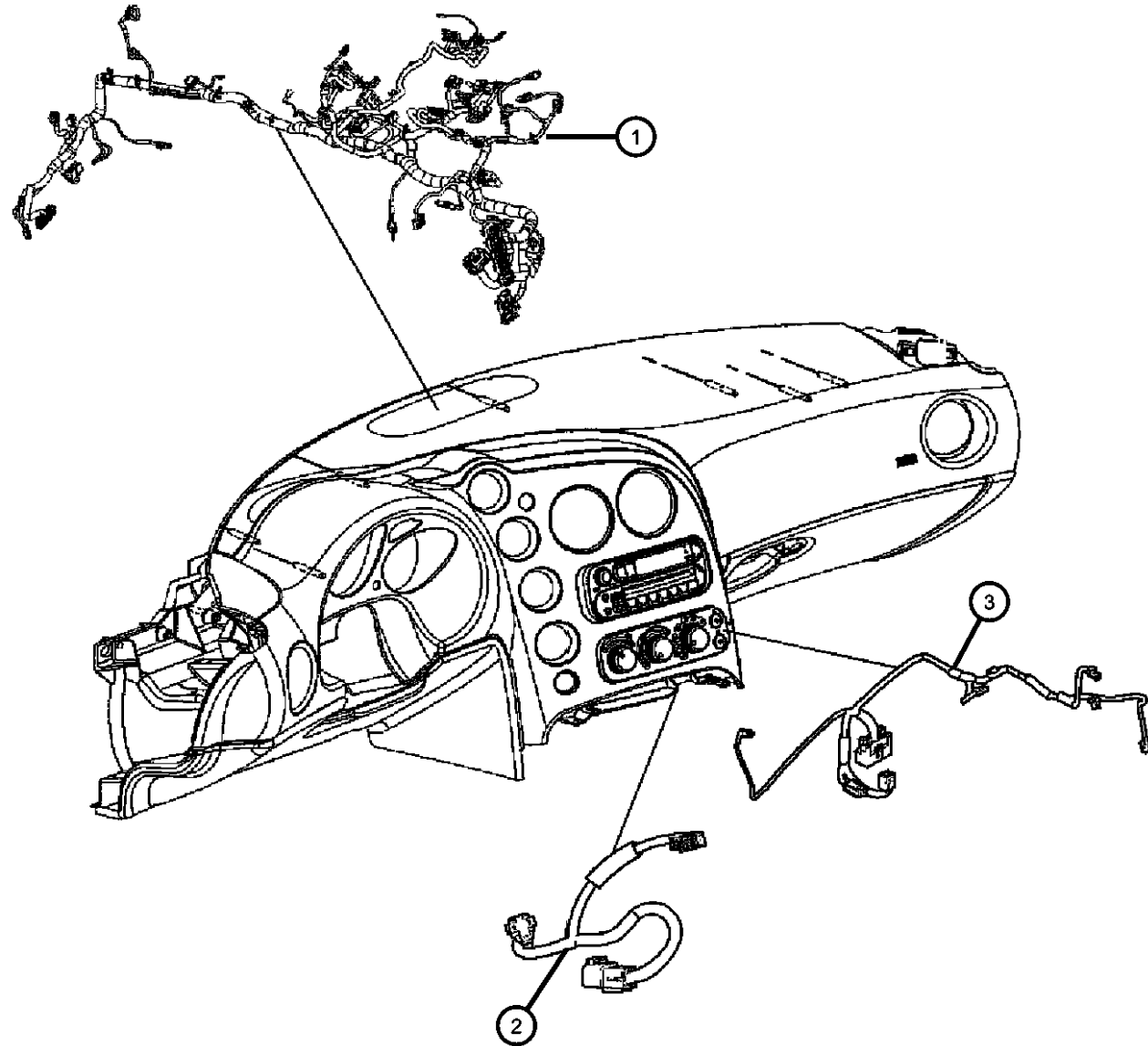
TRANSMISSION  
 DEC = 6-Speed Manual Transmission

AR = use ase required - = Non illustrated part

2008 ZB

**Wiring Instrument Panel  
Figure 8-1405**

ITEM	PART NUMBER	QTY	LINE	SERIES	BODY	ENGINE	TRANS	TRIM	DESCRIPTION
1	05030433AD	1	D		27, 29				WIRING, Instrument Panel [JAA] Instrument Panel with [JCN] 220 MPH Primary Speedometer
		1	D		27, 29				[JAA] Instrument Panel with [JDW] 330 KPH Primary Speedometer
2	05030500AB	1	D		27, 29				WIRING, Console
3	05030504AA	1	D		27, 29				WIRING, A/C and HEATER



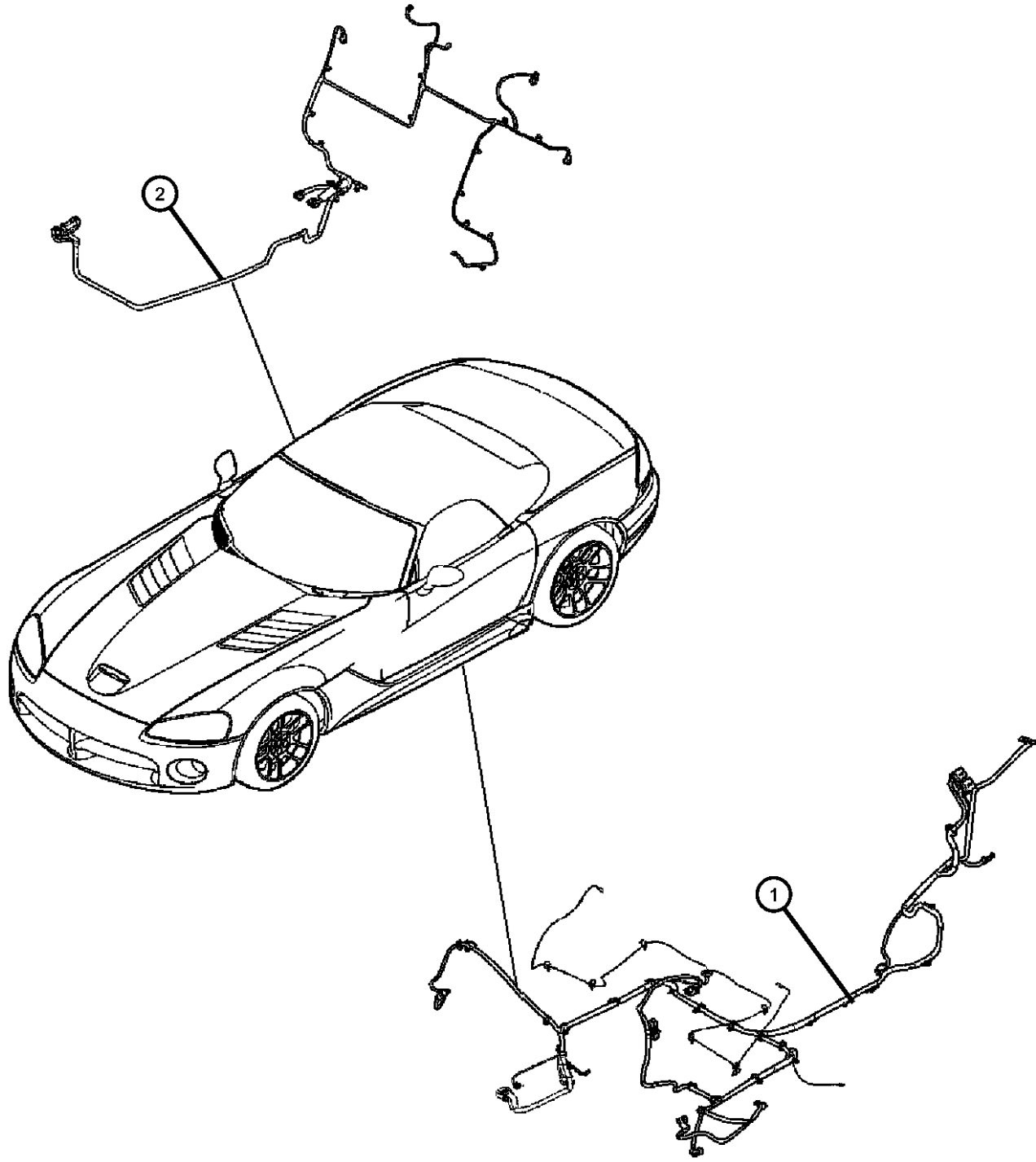
**VIPER (ZB)**

SERIES	LINE	BODY	ENGINE	TRANSMISSION
S = SPORT	D = DODGE	29 = SPECIALTY COUPE	EWE = 8.4L V10 SFI Engine	DEC = 6-Speed Manual Transmission
X = SPECIAL		27 = 2-DR CONVERTIBLE		

AR = use ase required - = Non illustrated part

Wiring Body  
Figure 8-1505

ITEM	PART NUMBER	QTY	LINE	SERIES	BODY	ENGINE	TRANS	TRIM	DESCRIPTION
1	05030438AC	1	D		27				WIRING, Underbody
	05030736AC	1	D		29				
2	05030446AC	1	D		27, 29				WIRING, Body Right



VIPER (ZB)

SERIES  
S = SPORT  
X = SPECIAL

LINE  
D = DODGE

BODY  
29 = SPECIALTY COUPE  
27 = 2-DR CONVERTIBLE

ENGINE  
EWE = 8.4L V10 SFI Engine

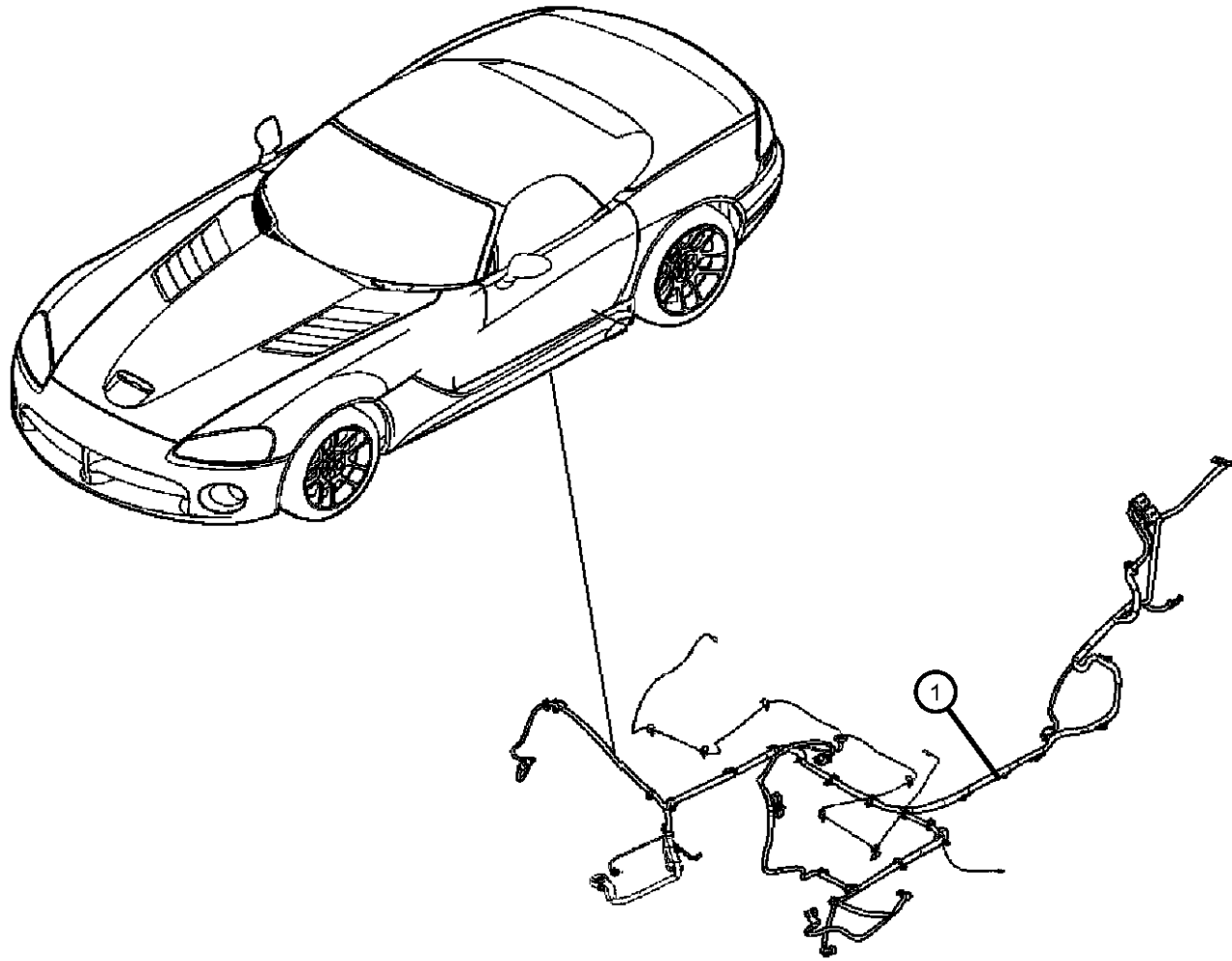
TRANSMISSION  
DEC = 6-Speed Manual Transmission

AR = use ase required - = Non illustrated part

2008 ZB

**Wiring Chassis and Underbody  
Figure 8-1510**

ITEM	PART NUMBER	QTY	LINE	SERIES	BODY	ENGINE	TRANS	TRIM	DESCRIPTION
1									WIRING, Underbody
	05030438AC	1	D		27				
	05030736AC	1	D		29				



**VIPER (ZB)**

SERIES  
S = SPORT  
X = SPECIAL

LINE  
D = DODGE

BODY  
29 = SPECIALTY COUPE  
27 = 2-DR CONVERTIBLE

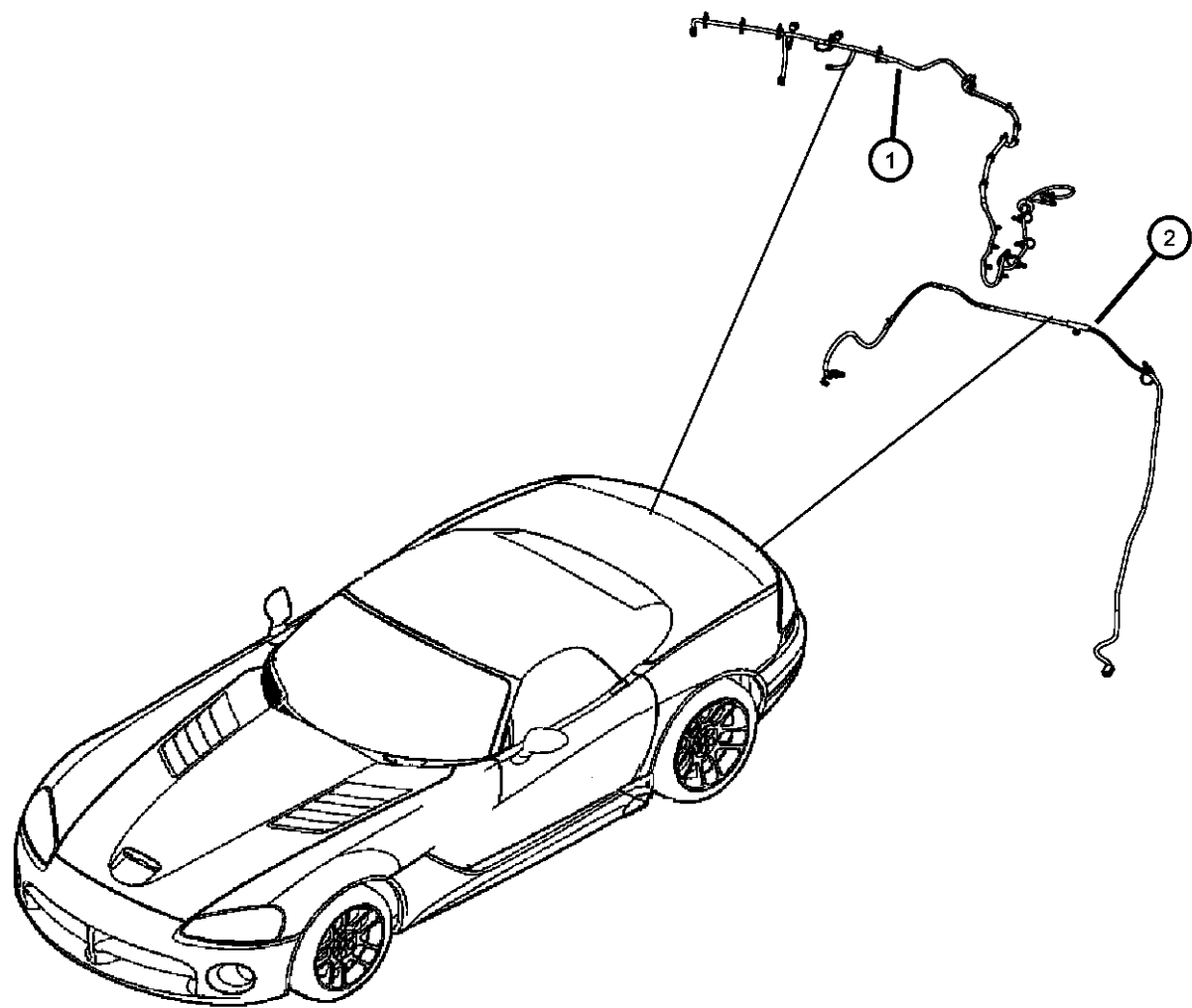
ENGINE  
EWE = 8.4L V10 SFI Engine

TRANSMISSION  
DEC = 6-Speed Manual Transmission

AR = use ase required - = Non illustrated part

2008 ZB

**Wiring Door, Deck Lid, and Liftgate**  
**Figure 8-1515**



ITEM	PART NUMBER	QTY	LINE	SERIES	BODY	ENGINE	TRANS	TRIM	DESCRIPTION
1	05030501AB	1	D		27				WIRING, High Mounted Stop Lamp
2	05030303AB	1	D		29				WIRING, Courtesy Lamp

**VIPER (ZB)**  
 SERIES  
 S = SPORT  
 X = SPECIAL

LINE  
 D = DODGE

BODY  
 29 = SPECIALTY COUPE  
 27 = 2-DR CONVERTIBLE

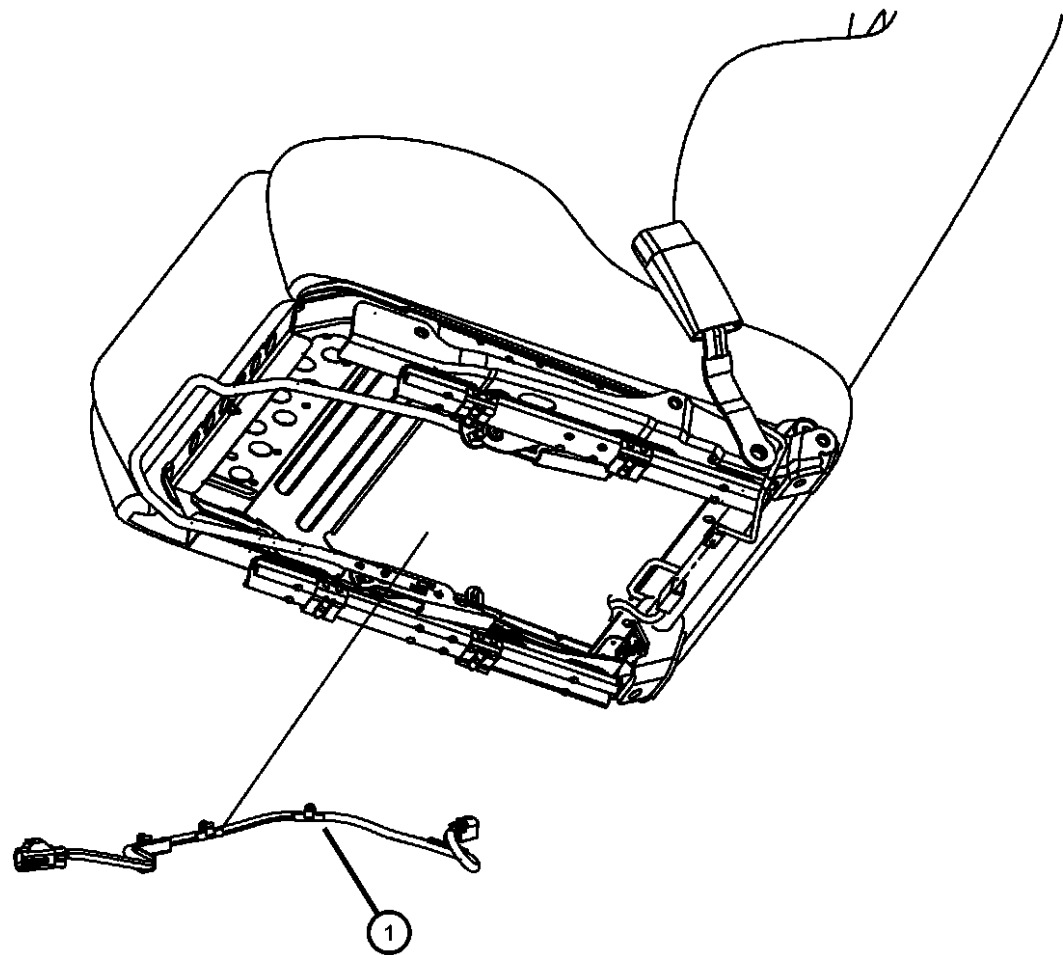
ENGINE  
 EWE = 8.4L V10 SFI Engine

TRANSMISSION  
 DEC = 6-Speed Manual Transmission

AR = use ase required - = Non illustrated part

**Wiring Seats Front**  
**Figure 8-1520**

ITEM	PART NUMBER	QTY	LINE	SERIES	BODY	ENGINE	TRANS	TRIM	DESCRIPTION
1									WIRING, Seat
	68028205AA	1	D		27, 29				Left
	68028206AA	1	D		27, 29				Right



**VIPER (ZB)**

SERIES  
S = SPORT  
X = SPECIAL

LINE  
D = DODGE

BODY  
29 = SPECIALTY COUPE  
27 = 2-DR CONVERTIBLE

ENGINE  
EWE = 8.4L V10 SFI Engine

TRANSMISSION  
DEC = 6-Speed Manual Transmission

AR = use ase required - = Non illustrated part

2008 ZB

**Wiring Repairs  
Figure 8-1605**

ITEM	PART NUMBER	QTY	LINE	SERIES	BODY	ENGINE	TRANS	TRIM	DESCRIPTION
-1	68028206AA	1							WIRING PACKAGE, Underhood Connector Repair, For Electrical Connector Repair Information visit the World Wide Web at <a href="http://dto.vftis.com/mopar/disclaimer.asp">http://dto.vftis.com/mopar/disclaimer.asp</a> , (NOT SERVICED) STRAP, Tie
-2	05073039AA	2	D		27, 29				

For Electrical Connector Repair Information visit the World Wide Web at

<http://dto.vftis.com/mopar/disclaimer.asp>

**VIPER (ZB)**

SERIES  
S = SPORT  
X = SPECIAL

LINE  
D = DODGE

BODY  
29 = SPECIALTY COUPE  
27 = 2-DR CONVERTIBLE

ENGINE  
EWE = 8.4L V10 SFI Engine

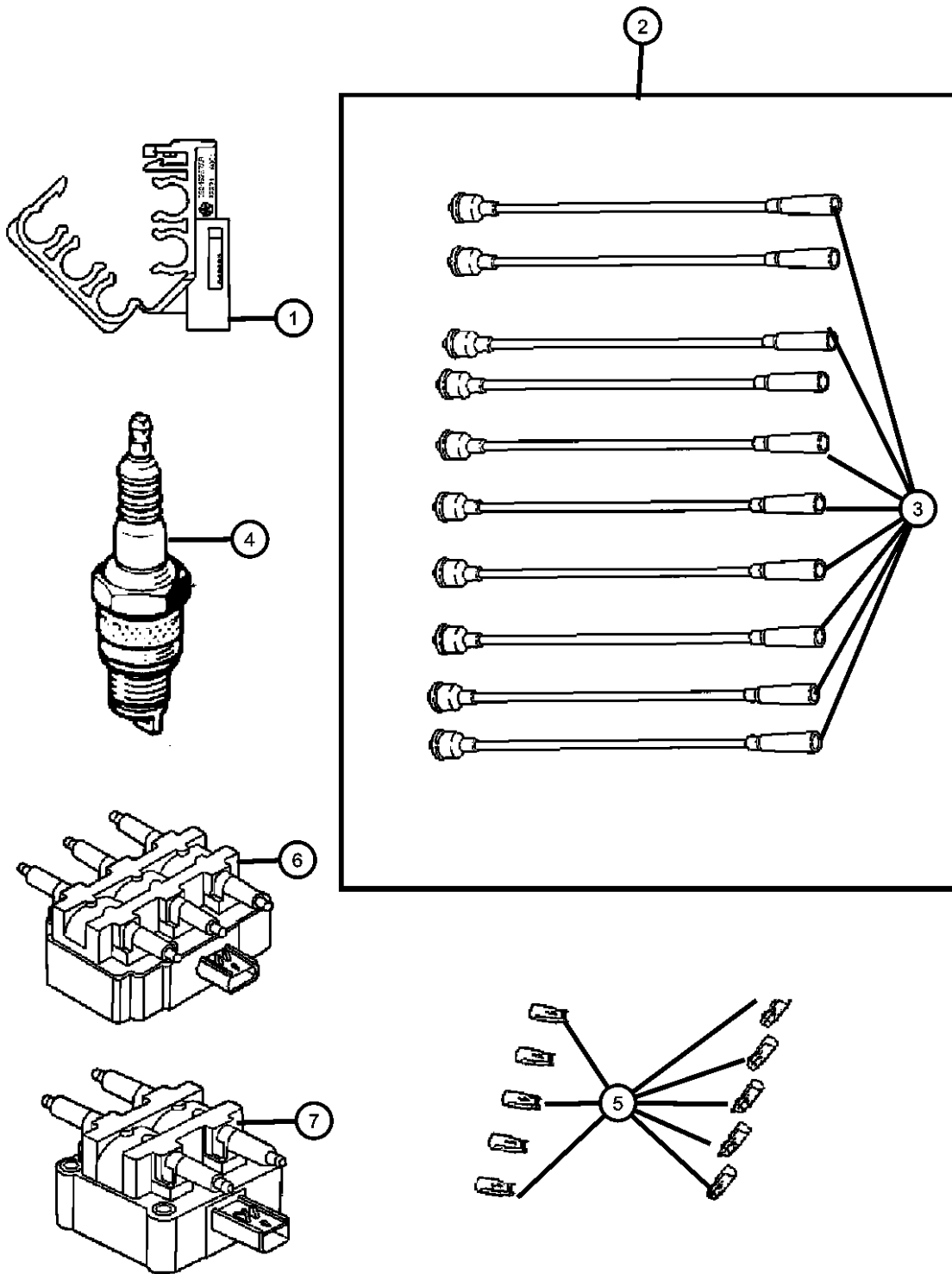
TRANSMISSION  
DEC = 6-Speed Manual Transmission

AR = use ase required - = Non illustrated part

2008 ZB

**Spark Plugs, Ignition Wires, Ignition Coil**  
**Figure 8-1905**

ITEM	PART NUMBER	QTY	LINE	SERIES	BODY	ENGINE	TRANS	TRIM	DESCRIPTION
------	-------------	-----	------	--------	------	--------	-------	------	-------------



NOTES: Sales Code  
[EWE] = 8.4L V10 SFI Engine

1	05073039AA	2							SEPERATOR, Ignition Cable, (NOT SERVICED)
2	68027788AA	1	D		27, 29	EWE			CABLE PACKAGE, Ignition
3	05037832AE	10	D		27, 29	EWE			CABLE, Ignition
4	SVRE10PMC5	10	D		27, 29	EWE			SPARK PLUG
5	05029318AA	1	D		27, 29				SHIELD, Heat
6	05037127AB	10	D		27, 29	EWE			COIL, Ignition
7	05037127AB	10	D		27, 29	EWE			COIL, Ignition
-8	06504785	3	D		27, 29	EWE			SCREW AND WASHER
-9	05290042AA	2	D		27, 29				BOLT

**VIPER (ZB)**

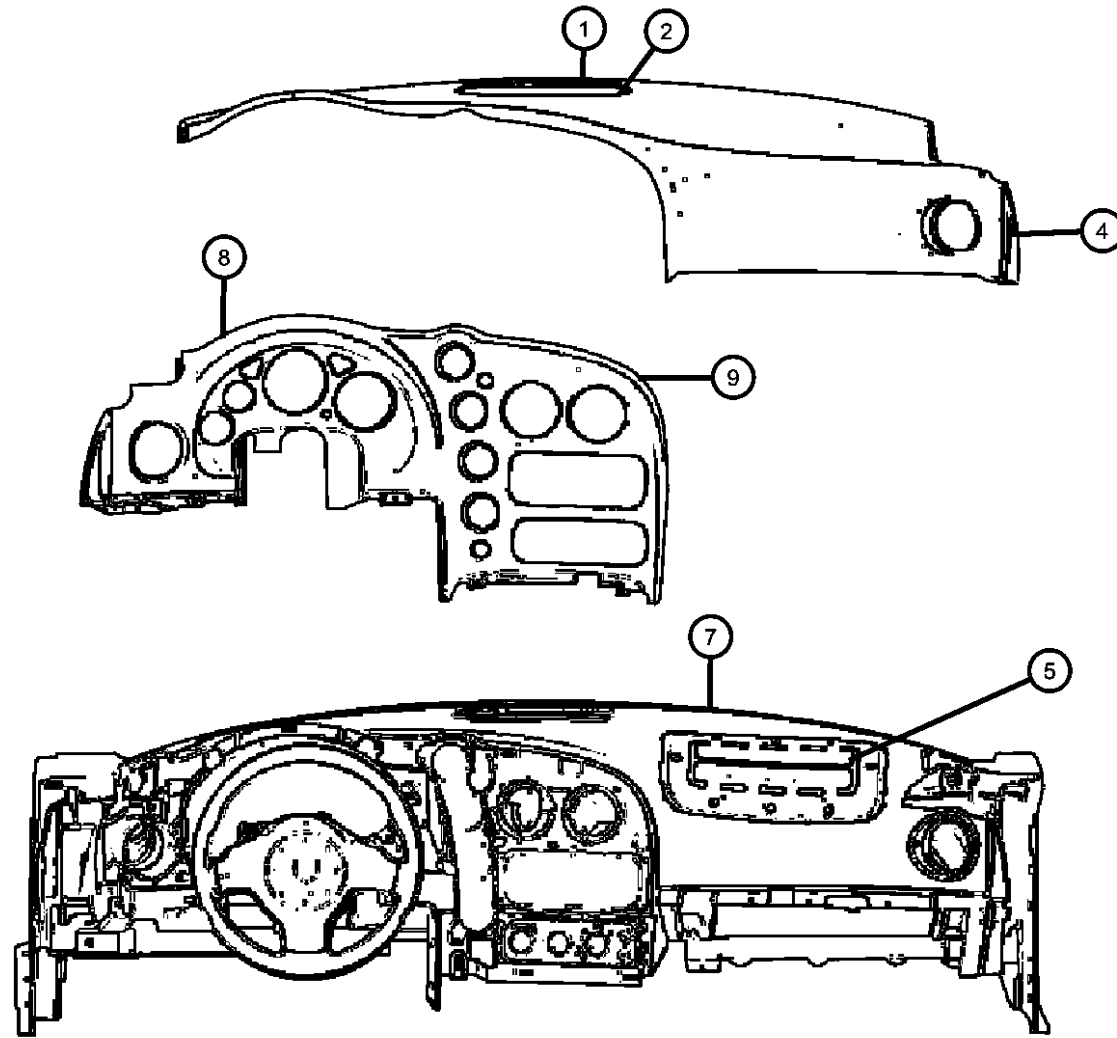
SERIES	LINE	BODY	ENGINE	TRANSMISSION
S = SPORT	D = DODGE	29 = SPECIALTY COUPE	EWE = 8.4L V10 SFI Engine	DEC = 6-Speed Manual Transmission
X = SPECIAL		27 = 2-DR CONVERTIBLE		

AR = use ase required - = Non illustrated part

2008 ZB



Instrument Panel and Structure  
Figure 8-2005



ITEM	PART NUMBER	QTY	LINE	SERIES	BODY	ENGINE	TRANS	TRIM	DESCRIPTION
1	0WP74DX9AA	1	D		27, 29				GRILLE, Defroster [X5]
		1	D		27, 29				[X9]
		1	D		27, 29				[XB]
		1	D		27, 29				[XR]
		1	D		27, 29				[XU]
2	04865541AA	1	D		27, 29				DUCT, Defroster
-3	04865541AA	1							SCREW, Tapping, (NOT SERVICED)
4	0TS33DX9AD	1	D		27, 29				PANEL, Instrument Panel [XU]
		1	D		27, 29				[X5]
		1	D		27, 29				[X9]
		1	D		27, 29				[XB]
		1	D		27, 29				[XR]
5	05030373AC	1	D		27, 29				AIR BAG, Passenger
-6	04865530AA	1	D		27, 29				CHUTE, Airbag
7	04865532AA	1	D		27, 29				SUPPORT, Instrument Panel
8	0WA87DX9AA	1	D		27, 29				BEZEL, Instrument Cluster [X5]
		1	D		27, 29				[X9]
		1	D		27, 29				[XB]
		1	D		27, 29				[XR]
		1	D		27, 29				[XU]
9	1JU32AAAAA	1	D		27, 29				BEZEL, Instrument Panel, Center [X5]
		1	D		27, 29				[X9]
		1	D		27, 29				[XB]
		1	D		27, 29				[XR]
		1	D		27, 29				[XU]
-10	04865810AD	1	D		27, 29				CONTROL, A/C And Heater

VIPER (ZB)

SERIES

S = SPORT  
X = SPECIAL

LINE

D = DODGE

BODY

29 = SPECIALTY COUPE  
27 = 2-DR CONVERTIBLE

ENGINE

EWE = 8.4L V10 SFI Engine

TRANSMISSION

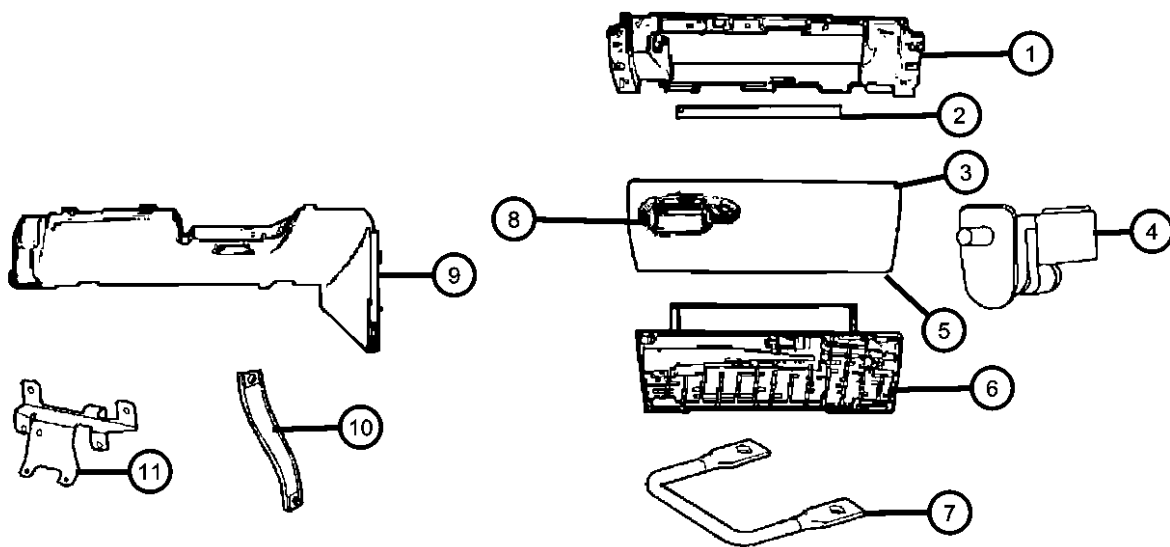
DEC = 6-Speed Manual Transmission

AR = use ase required - = Non illustrated part

2008 ZB

**Instrument Panel Trim  
Figure 8-2010**

ITEM	PART NUMBER	QTY	LINE	SERIES	BODY	ENGINE	TRANS	TRIM	DESCRIPTION
1	04865866AA	1	D		27, 29				PANEL, Instrument
2	04865537AB	1	D		27, 29				HINGE, Glovebox
3									DOOR, Glove Box
	1MA361D5AA	1	D		27, 29				[X5]
	1MA361U4AA	1	D		27, 29				[XU]
	1MA361XRAA	1	D		27, 29				[XR]
	1MA36DX9AA	1	D		27, 29				[X9]
	1MA361BNAA	1	D		27, 29				[XB]
4	04565022	1	D		27, 29				SWITCH AND LAMP, Glove Box
5	04865536AA	1	D		27, 29				PANEL, Glove Box
6	05029142AA	1	D		27, 29				BIN, Glove box
7	04698884	1	D		27, 29				STRIKER, Glove Box Door Latch
8									LATCH, Glovebox Door
	0QN25DX9AB	1	D		27, 29				[XU]
		1	D		27, 29				[X5]
		1	D		27, 29				[X9]
		1	D		27, 29				[XB]
		1	D		27, 29				[XR]
9									COVER, Instrument Panel, Steering Column Opening
	1MA751XRAA	1	D		27, 29				[XR]
	1MA751BNAA	1	D		27, 29				[XB]
	1MA751D5AA	1	D		27, 29				[X5]
	1MA751U4AA	1	D		27, 29				[XU]
	1MA75DX9AA	1	D		27, 29				[X9]
10	05029098AA	1	D		27, 29				BRACE, Instrument Panel to Floor
11	05029016AA	1	D		27, 29				BRACKET, Relay



**VIPER (ZB)**

SERIES	LINE	BODY	ENGINE	TRANSMISSION
S = SPORT	D = DODGE	29 = SPECIALTY COUPE	EWE = 8.4L V10 SFI Engine	DEC = 6-Speed Manual Transmission
X = SPECIAL		27 = 2-DR CONVERTIBLE		

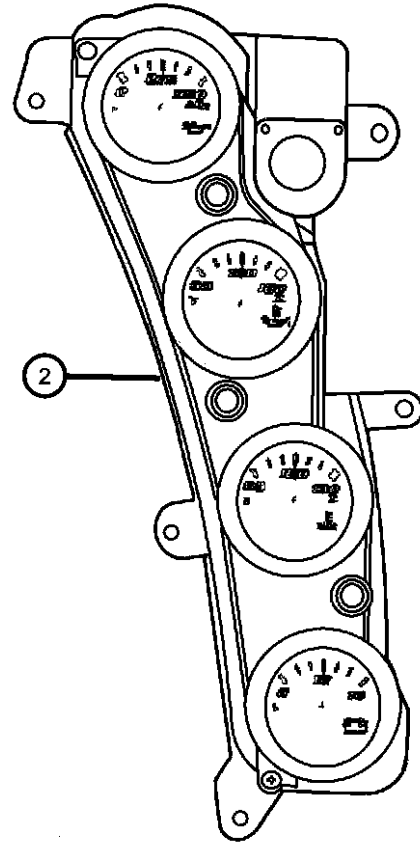
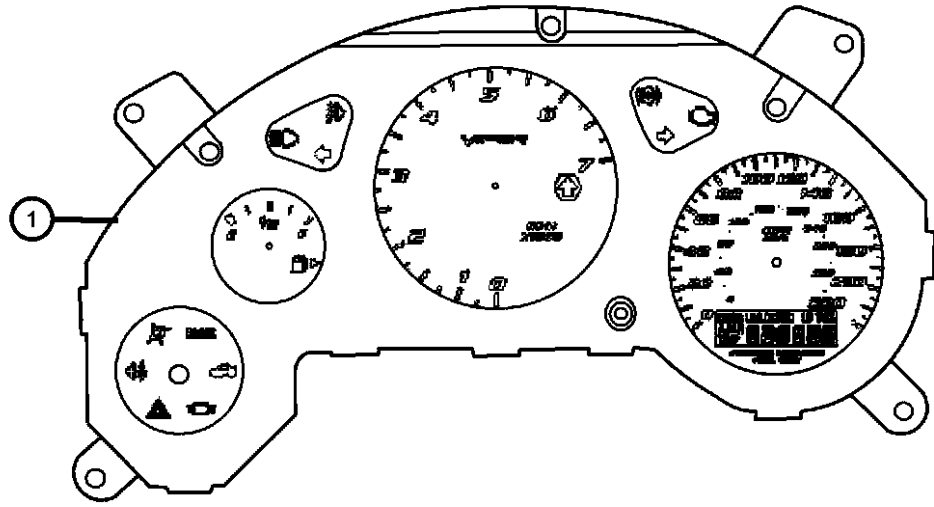
AR = use ase required - = Non illustrated part

**Instrument Panel Cluster**  
**Figure 8-2105**

ITEM	PART NUMBER	QTY	LINE	SERIES	BODY	ENGINE	TRANS	TRIM	DESCRIPTION
------	-------------	-----	------	--------	------	--------	-------	------	-------------

NOTES: Sales Codes:  
 [EWE] = 8.4L V10 SFI Engine  
 [JAA] = Instrument Panel  
 [JCN] = 220 MPH Primary Speedometer  
 [JDW] = 330 KPH Primary Speedometer

1	05030485AC	1	D		27, 29				CLUSTER, Instrument Panel [JAA] Instrument Panel with [JCN] 220 MPH Primary Speedometer
	05030486AC	1	D		27, 29				[JAA] Instrument Panel with [JDW] 330 KPH Primary Speedometer
2	05029636AA	1	D		27, 29				GAUGE PACK [JAA] Instrument Panel with [JCN] 220 MPH Primary Speedometer
	05029637AA	1	D		27, 29				[JAA] Instrument Panel with [JDW] 330 KPH Primary Speedometer
-3	06101946	4	D		27, 29				SCREW, Tapping Hex Head, M4.2X1.70X20.00



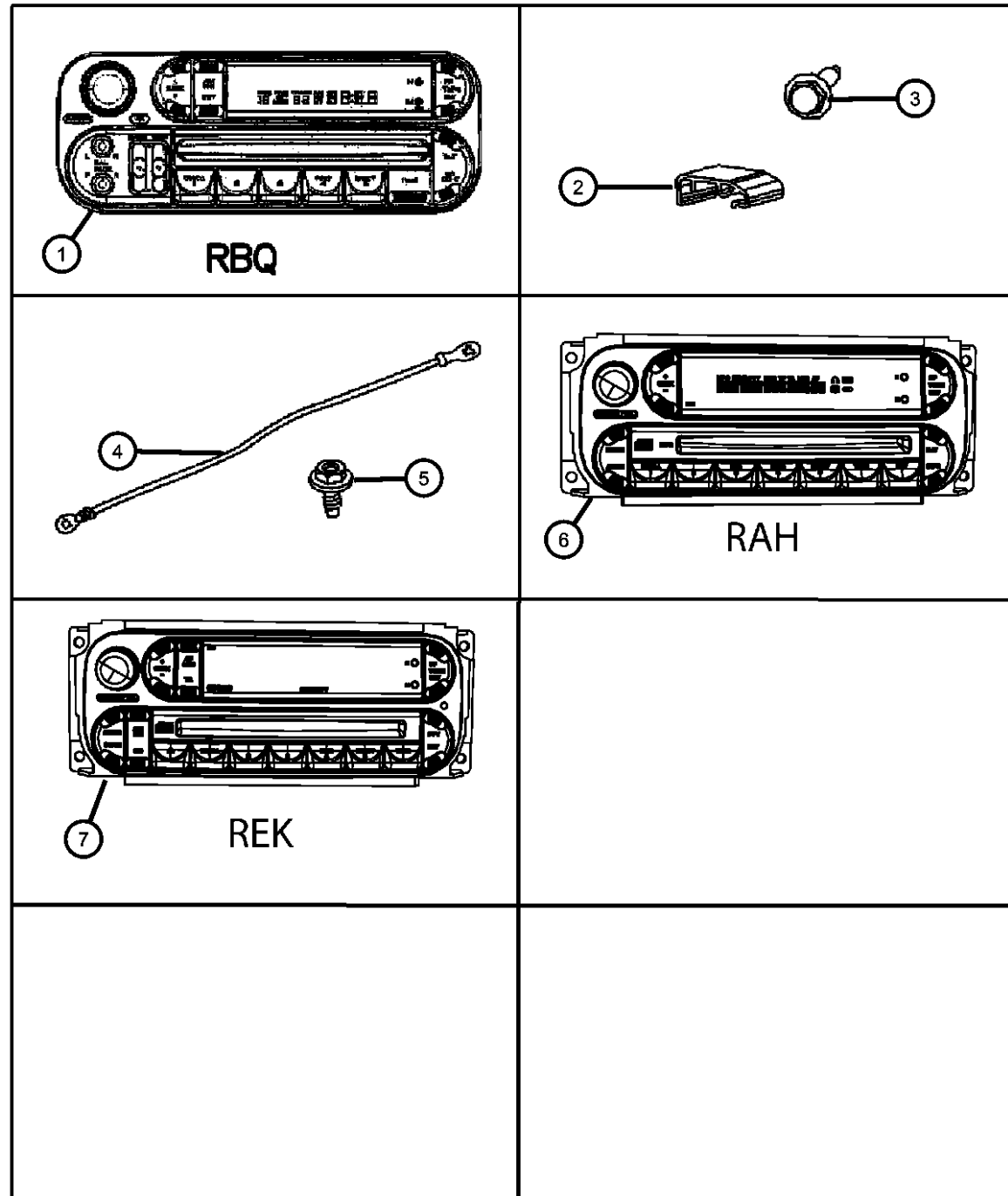
**VIPER (ZB)**

SERIES	LINE	BODY	ENGINE	TRANSMISSION
S = SPORT	D = DODGE	29 = SPECIALTY COUPE	EWE = 8.4L V10 SFI Engine	DEC = 6-Speed Manual Transmission
X = SPECIAL		27 = 2-DR CONVERTIBLE		

AR = use ase required - = Non illustrated part

2008 ZB

Radio  
Figure 8-2205



ITEM	PART NUMBER	QTY	LINE	SERIES	BODY	ENGINE	TRANS	TRIM	DESCRIPTION
------	-------------	-----	------	--------	------	--------	-------	------	-------------

NOTES: Sales Codes:

[RAH] = AM/FM Compact Disc Radio W/Chg

[RBQ] = AM/FM CD 6-Disc Radio

[REK] = AM/FM Compact RDS Radio

1	05064038AC	1	D		27, 29				RADIO, AM/FM with CD and Equalizer, [RBQ]
2	04865532AA	1	D		27, 29				SUPPORT, Instrument Panel
3	06101946	4	D		27, 29				SCREW, Tapping Hex Head, M4.2X1.70X20.00
4									STRAP, Ground
	05029027AD	1	D		27, 29				Right
	05029214AD	1	D		27, 29				Left
5	06506210AA	1	D		27, 29				SCREW, Ground strap attaching
6	05064575AA	1	D		27, 29				RADIO, AM/FM with CD and Equalizer, [RAH]
7	05091610AC	1	D		27, 29				RADIO, AM/FM with CD, [REK]
-8	04793468	2	D		27, 29				CLIP, Ground strap attaching

VIPER (ZB)

SERIES

S = SPORT

X = SPECIAL

LINE

D = DODGE

BODY

29 = SPECIALTY COUPE

27 = 2-DR CONVERTIBLE

ENGINE

EWE = 8.4L V10 SFI Engine

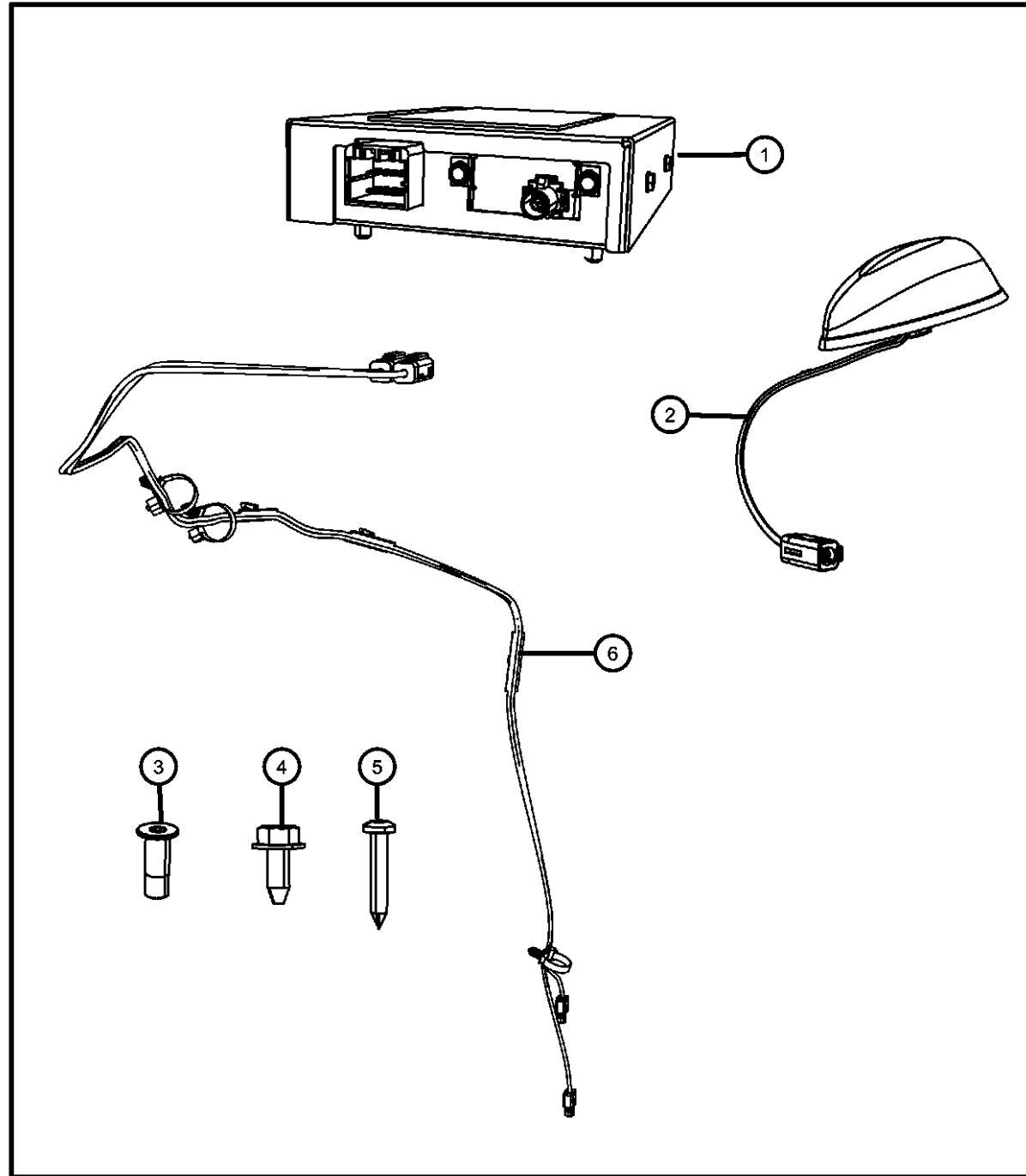
TRANSMISSION

DEC = 6-Speed Manual Transmission

AR = use ase required - = Non illustrated part

2008 ZB

**Satellite Radio System  
Figure 8-2215**



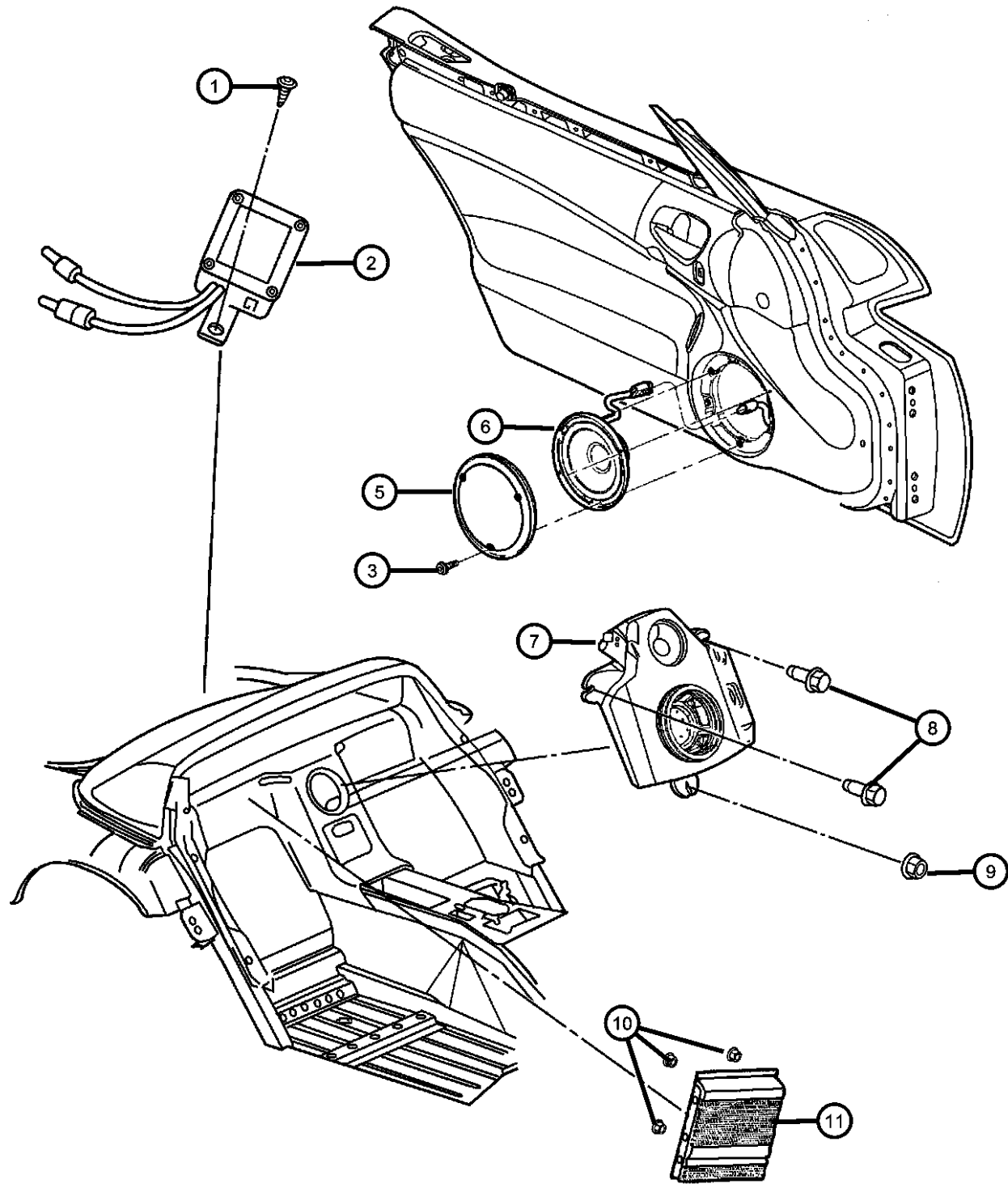
ITEM	PART NUMBER	QTY	LINE	SERIES	BODY	ENGINE	TRANS	TRIM	DESCRIPTION
1	05064074AE	1	D		27, 29				RECEIVER, Satellite
2	05150048AB	1	D		27				ANTENNA, Satellite
		1	D		29				
3	06506489AA	3	D		27				RIVET, Antenna to deck lid
4	06502407	2	D		29				SCREW AND WASHER, Hex Head, M6x1x20, Antenna to liftgate
5	06034383	2	D		27, 29				SCREW, Pan Head, .437-20x1.5, Receiver attaching
6	05064246AB	1	D		29				CABLE, Antenna

**VIPER (ZB)**

SERIES	LINE	BODY	ENGINE	TRANSMISSION
S = SPORT	D = DODGE	29 = SPECIALTY COUPE	EWE = 8.4L V10 SFI Engine	DEC = 6-Speed Manual Transmission
X = SPECIAL		27 = 2-DR CONVERTIBLE		

AR = use ase required - = Non illustrated part

Speakers and Amplifiers  
Figure 8-2220



ITEM	PART NUMBER	QTY	LINE	SERIES	BODY	ENGINE	TRANS	TRIM	DESCRIPTION
1	06101826	1	D		27, 29	EWE			SCREW, M6x1x20
2	68004329AA	1	D		27, 29				MODULE, Radio Antenna
3	68004329AA	1							SCREW, [0.164-18x1.], (NOT SERVICED)
-4	05083940AA	1	D		27, 29				BRACKET, Speaker
5	0SL12DX9AA	2	D		27, 29				GRILLE, Speaker
6	05029994AA	1	D		27, 29				SPEAKER, Door
7	04865995AE	1	D		27, 29				SPEAKER, Sub Woofer
8	04865995AE	1							SCREW AND WASHER, Head Head Lock, M8-1.25x30.00, (NOT SERVICED)
9	06102067AA	1	D		27, 29				BOLT AND WASHER, Hex Head, M8X1.25X35.00
10	06104726AA	1	D		27, 29				NUT AND WASHER, Hex, M8x1.25
11	04865994AE	1	D		27, 29				AMPLIFIER, Radio
-12	04865745AC	2	D		27, 29				SPEAKER, Tweeter
-13									GRILLE, Speaker
	0TV68DX9AA	1	D		27, 29				Right
	0TV67DX9AA	1	D		27, 29				Left
-14	04865939AA	2	D		27				SPEAKER, Rear

VIPER (ZB)

SERIES  
S = SPORT  
X = SPECIAL

LINE  
D = DODGE

BODY  
29 = SPECIALTY COUPE  
27 = 2-DR CONVERTIBLE

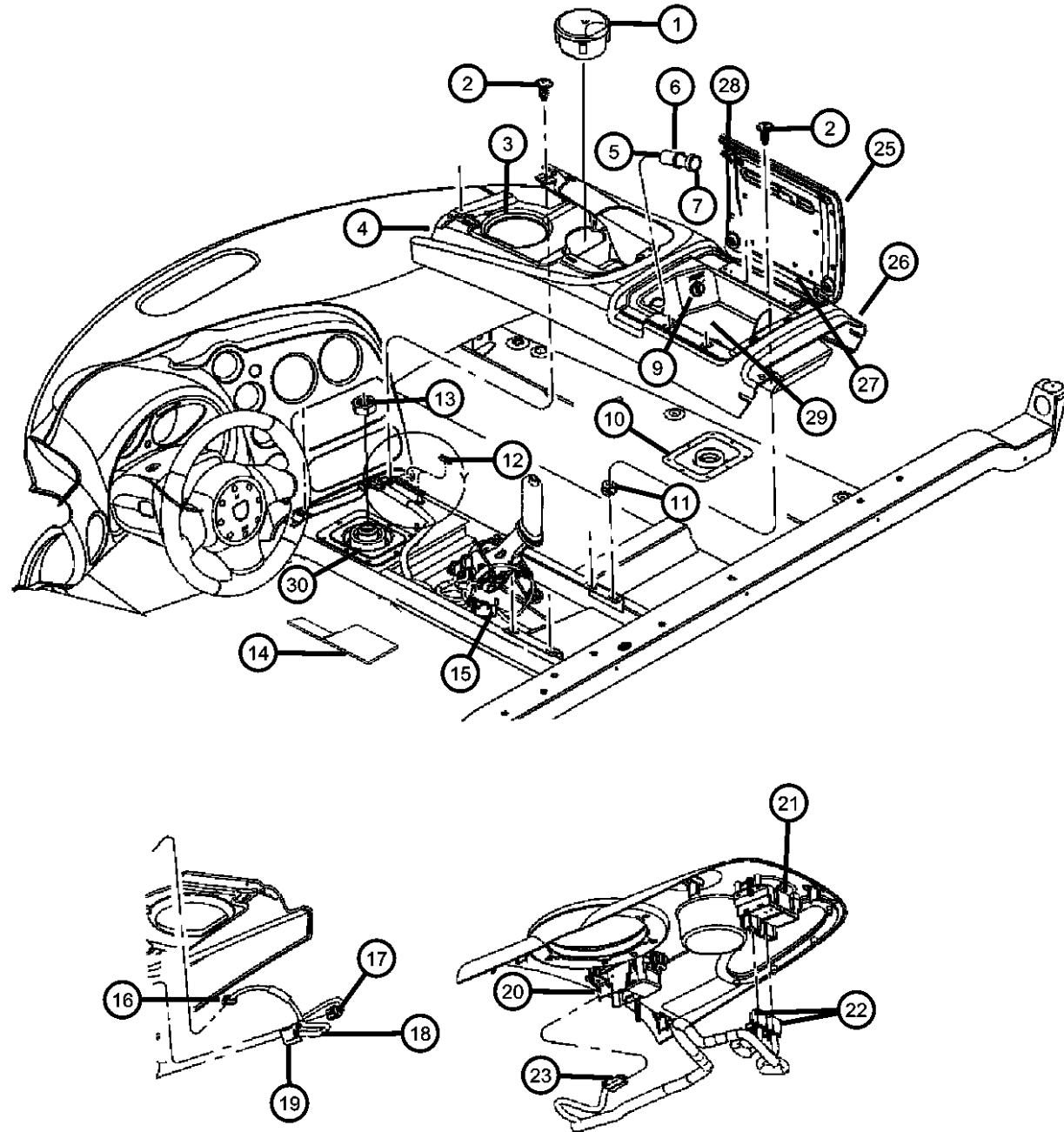
ENGINE  
EWE = 8.4L V10 SFI Engine

TRANSMISSION  
DEC = 6-Speed Manual Transmission

AR = use ase required - = Non illustrated part

2008 ZB

Floor Console Front  
Figure 8-2305



ITEM	PART NUMBER	QTY	LINE	SERIES	BODY	ENGINE	TRANS	TRIM	DESCRIPTION
1	05029529AA	1	D		27, 29				ASH RECEIVER, Floor Console
2	00153634	4	D		27, 29				SCREW, Console mounting
3	05093230AA	1	D		27, 29				RING
4	0XP181X9AA	1	D		27, 29				BEZEL, Console Shifter
5	04685370	1	D		27, 29				KNOB AND ELEMENT, Cigar Lighter
6	04793555	1	D		27, 29				RING, Cigar Lighter Mounting
7	04793551	1	D		27, 29				BASE, Cigar Lighter
-8	05093227AA	1	D		27, 29				HOUSING, Switch
9	04865875AA	1	D		27, 29				SWITCH, Passenger Airbag Disarm
10	05037319AA	1	D		27, 29				BOOT, Gearshift
11	06032058	2	D		27, 29				NUT, Snap In
12	04278662	4	D		27, 29				SPACER
13	00124934	1	D		27, 29				NUT, Hex Jam, .50-20
14	04865688AA	1	D		27, 29				PAD, Tunnel
15	04865688AA	1							CONNECTOR, PIA with Wiring Assy., (NOT SERVICED)
16	04865688AA	1							CONNECTOR, Air Bag On/Off, (NOT SERVICED)
17	04865688AA	1							CONNECTOR, Cigar Lighter, (NOT SERVICED)
18	05030500AB	1	D		27, 29				WIRING, Console
19	05030500AB	1							CONNECTOR, PIA with console Assy. Wiring, (NOT SERVICED)
20	05030500AB	1							POWER OUTLET, PIA With Bezel Assy., (NOT SERVICED)
21	04608633AD	2	D		27, 29				SWITCH, Power Window Single Gang
22	04608633AD	2							CONNECTOR, Window Switch, (NOT SERVICED)
23	04608633AD	2							CONNECTOR, Power Point, (NOT SERVICED)
-24	05093298AA	1	D		27, 29				SCREW, Cap
25	0XN89DX9AC	1	D		27, 29				LID, Center Console Storage
26	0XN88DX9AB	1	D		27, 29				BASE, Floor Console
27	05114426AA	1	D		27, 29				HINGE, Floor Console Lid
28	0PR29DX9AB	1	D		27, 29				LATCH, Armrest Lid
29	05093220AA	1	D		27, 29				MAT, Floor Console
30	0XP191X9AA	1	D		27, 29				BOOT, Gearshift
-31	05093434AA	1	D		27, 29				SCREW, Console

VIPER (ZB)

SERIES	LINE	BODY	ENGINE	TRANSMISSION
S = SPORT	D = DODGE	29 = SPECIALTY COUPE	EWE = 8.4L V10 SFI Engine	DEC = 6-Speed Manual Transmission
X = SPECIAL		27 = 2-DR CONVERTIBLE		

AR = use ase required - = Non illustrated part

# Group - 009EWE

8.4L Gas; Engine

<b>009EWE-100</b> Engine Identification	<b>009EWE-1000</b> Manifolds and Vacuum Fittings	<b>009EWE-1100</b> Crankcase Ventilation	<b>009EWE-1200</b> Engine Mounting
<b>009EWE-200</b> Cylinder Head	<b>009EWE-300</b> Cylinder Block	<b>009EWE-400</b> Crankshaft, Piston, Drive Plate, Flywheel, and Damper	<b>009EWE-500</b> Camshaft and Valve
<b>009EWE-600</b> Timing Belt/Chain and Cover and Balance Shaft	<b>009EWE-700</b> Engine Oiling, Oil Pan and Indicator (Dipstick)	<b>009EWE-800</b> Engine Oil Cooler	



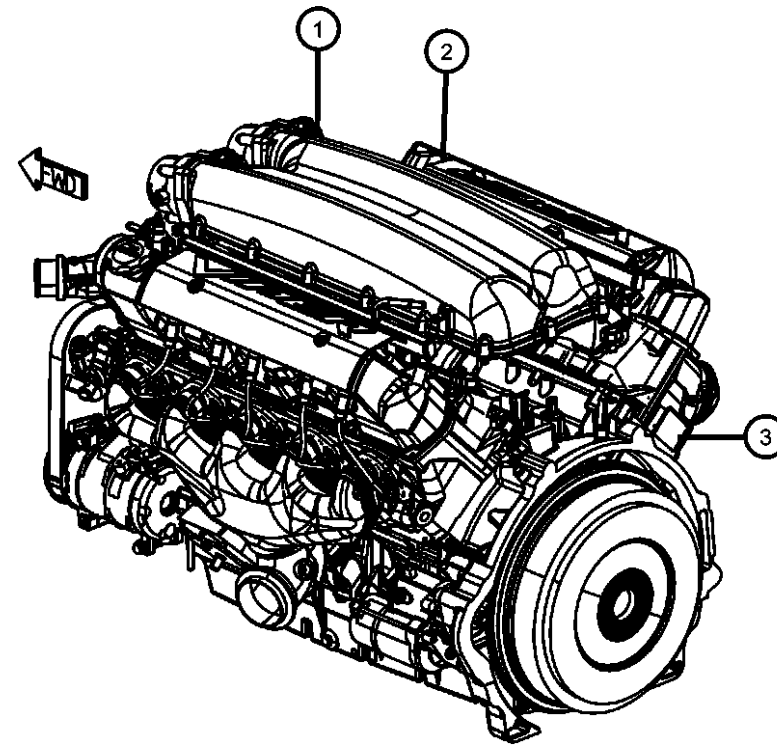
---

## Group - 009EWE 8.4L Gas; Engine

Illustration Title	Group-Fig. No.
<b>Engine Identification</b>	
Engine Assembly And Identification 8.4L [EWE].....	Fig. 009EWE - 105
Engine Covers And Related Parts 8.4L [EWE] .....	Fig. 009EWE - 125
Engine Gasket Packages 8.4L [EWE].....	Fig. 009EWE - 145
<b>Cylinder Head</b>	
Cylinder Head Covers 8.4L [EWE].....	Fig. 009EWE - 205
Cylinder heads 8.4L [EWE].....	Fig. 009EWE - 225
<b>Cylinder Block</b>	
Cylinder Block And Hardware 8.4L [EWE] .....	Fig. 009EWE - 305
<b>Crankshaft, Piston, Drive Plate, Flywheel, and Damper</b>	
Crankshaft, Crankshaft Bearings, Damper, And Flywheel 8.4L [EWE] .....	Fig. 009EWE - 405
Pistons, Piston Rings, Connecting Rods And Connecting Rod bearings 8.4L [EWE] .....	Fig. 009EWE - 425
<b>Camshaft and Valve</b>	
Camshaft And Valvtrain 8.4L [EWE].....	Fig. 009EWE - 506
<b>Timing Belt/Chain and Cover and Balance Shaft</b>	
Timing Case Cover 8.4L [EWE].....	Fig. 009EWE - 605
Timing System 8.4L [EWE].....	Fig. 009EWE - 625
<b>Engine Oiling, Oil Pan and Indicator (Dipstick)</b>	
Engine Oiling Pump 8.4L [EWE] .....	Fig. 009EWE - 705
Engine Oil Pan, Engine Oil Level Indicator And Related Parts 8.4L [EWE] .....	Fig. 009EWE - 725
Engine Oil Filter And Engine Oil 8.4L [EWE].....	Fig. 009EWE - 745
<b>Engine Oil Cooler</b>	
Engine Oil Cooler 8.4L [EWE].....	Fig. 009EWE - 805
<b>Manifolds and Vacuum Fittings</b>	
Exhaust Manifolds 8.4L [EWE].....	Fig. 009EWE - 1005
Intake Manifold 8.4L [EWE] .....	Fig. 009EWE - 1025
<b>Crankcase Ventilation</b>	
Crankcase Ventilation 8.4L [EWE] .....	Fig. 009EWE - 1105
<b>Engine Mounting</b>	
Engine Mounting Right Side RWD/2WD 8.4L [EWE].....	Fig. 009EWE - 1230
Engine Mounting Left Side RWD/2WD 8.4L [EWE] .....	Fig. 009EWE - 1240

**Engine Assembly And Identification 8.4L [EWE]  
Figure 009EWE-105**

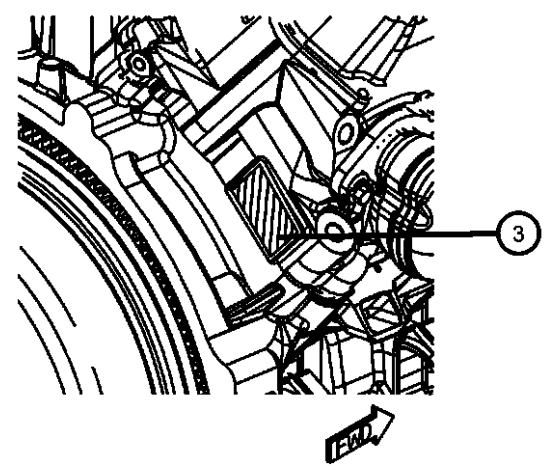
ITEM	PART NUMBER	QTY	LINE	SERIES	BODY	ENGINE	TRANS	TRIM	DESCRIPTION
------	-------------	-----	------	--------	------	--------	-------	------	-------------



NOTE:  
The Engine Identification Label Contains: The Production Assembly Part Number And Displacement.  
Sales Codes:  
[DEC] = 6-Speed Manual Transmission  
[DE0] = All 6-Speed Manual Transmissions  
[EWE] = 8.4L V-10 SFI Engine  
[NAA] = Federal Emissions  
[NAE] = California Emissions  
[NAM] = Mexico Emissions  
[NAS] = 50 State Emissions  
[NA1] = Export Emissions

1	05093434AA	1							
2	05093434AA	1							
3	05093434AA	1							

ENGINE, Complete, (NOT SERVICED)  
ENGINE, Long Block, (NOT SERVICED)  
LABEL, Engine Identification, See Note, (NOT SERVICED)



<b>VIPER (ZB)</b>				
SERIES	LINE	BODY	ENGINE	TRANSMISSION
S = SPORT	D = DODGE	29 = SPECIALTY COUPE	EWE = 8.4L V10 SFI Engine	DEC = 6-Speed Manual Transmission
X = SPECIAL		27 = 2-DR CONVERTIBLE		

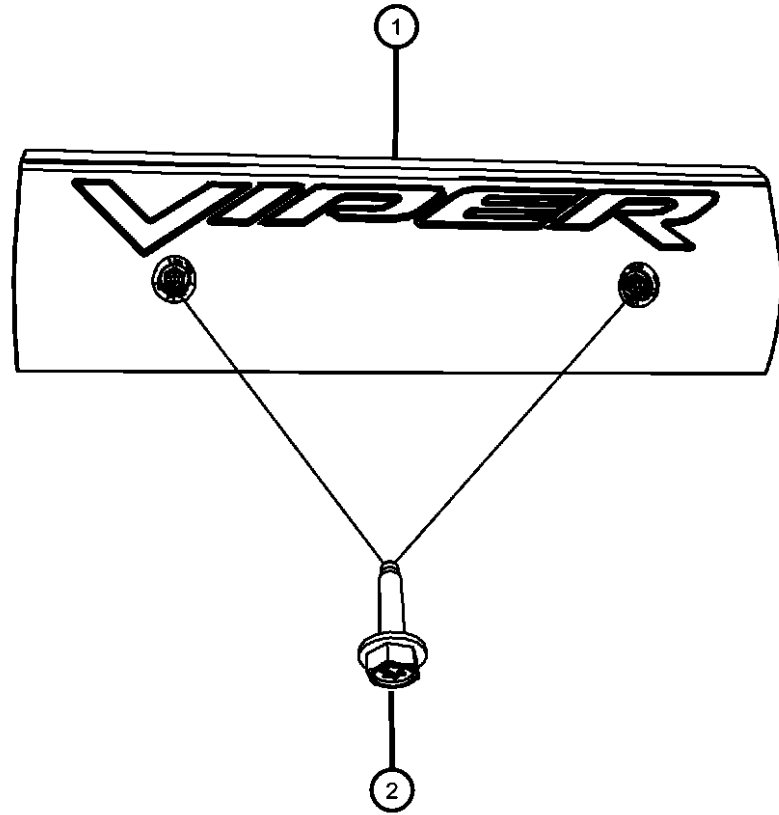
AR = use ase required - = Non illustrated part

**Engine Covers And Related Parts 8.4L [EWE]  
Figure 009EWE-125**

ITEM	PART NUMBER	QTY	LINE	SERIES	BODY	ENGINE	TRANS	TRIM	DESCRIPTION
------	-------------	-----	------	--------	------	--------	-------	------	-------------

NOTE:  
Sales Codes:  
[DEC] = 6-Speed Manual Transmission  
[DE0] = All 6-Speed Manual Transmissions  
[EWE] = 8.4L V-10 SFI Engine  
[NAA] = Federal Emissions  
[NAE] = California Emissions  
[NAM] = Mexico Emissions  
[NAS] = 50 State Emissions  
[NA1] = Export Emissions

1	05038164AB	2	D			EWE			COVER, Ignition Coil, Right And Left
2	06509081AA	4	D			EWE			BOLT, Hex Head Locking, M6x1.00x30.00, Ignition Coil Cover To Cylinder Head Cover, Mounting



<b>VIPER (ZB)</b>				
SERIES	LINE	BODY	ENGINE	TRANSMISSION
S = SPORT	D = DODGE	29 = SPECIALTY COUPE	EWE = 8.4L V10 SFI Engine	DEC = 6-Speed Manual Transmission
X = SPECIAL		27 = 2-DR CONVERTIBLE		

AR = use ase required - = Non illustrated part

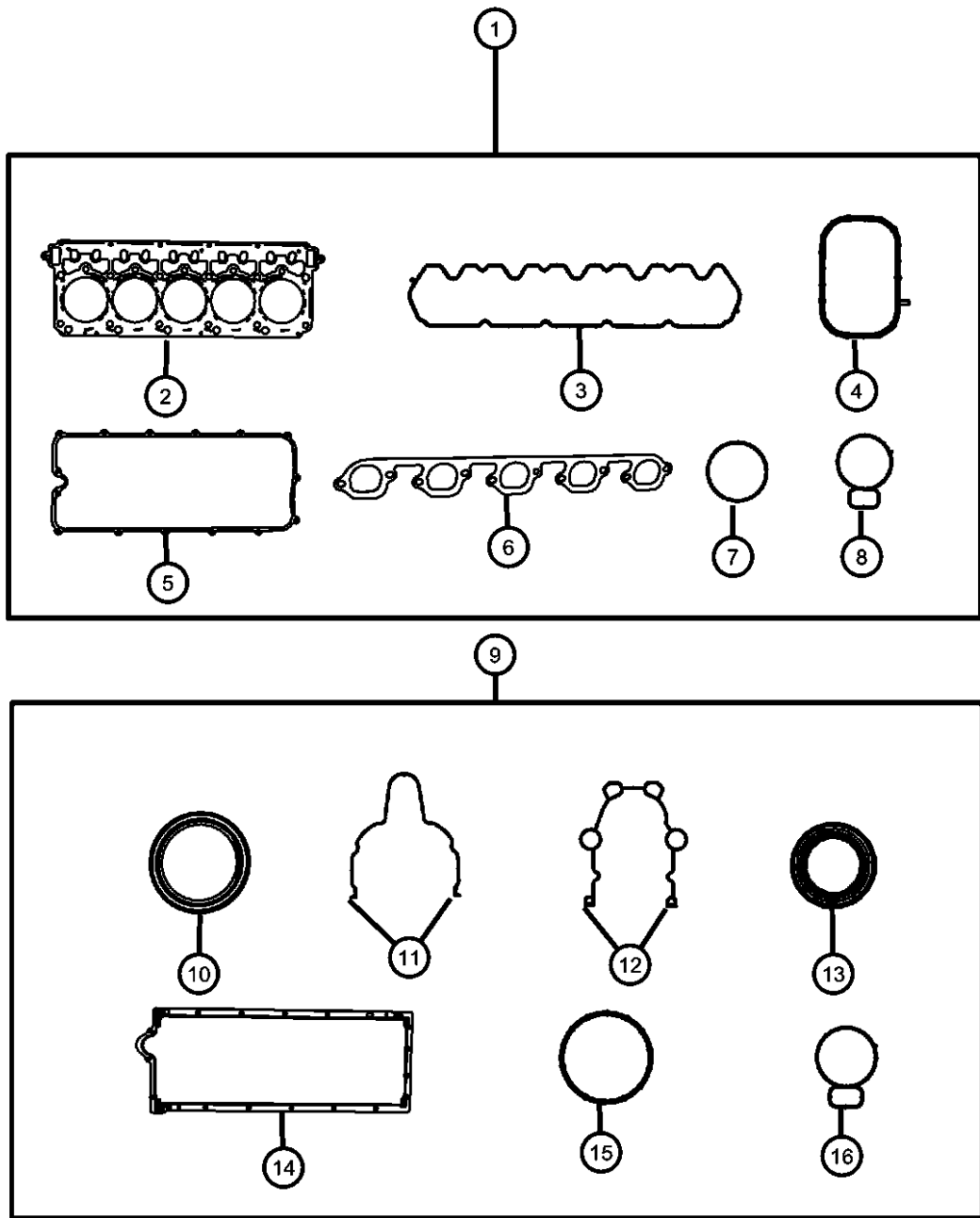
2008 ZB

**Engine Gasket Packages 8.4L [EWE]  
Figure 009EWE-145**

ITEM	PART NUMBER	QTY	LINE	SERIES	BODY	ENGINE	TRANS	TRIM	DESCRIPTION
------	-------------	-----	------	--------	------	--------	-------	------	-------------

NOTE:  
Sales Codes:  
[DEC] = 6-Speed Manual Transmission  
[DE0] = All 6-Speed Manual Transmissions  
[EWE] = 8.4L V-10 SFI Engine  
[NAA] = Federal Emissions  
[NAE] = California Emissions  
[NAM] = Mexico Emissions  
[NAS] = 50 State Emissions  
[NA1] = Export Emissions

1	68026795AA	1	D			EWE			GASKET PACKAGE, Engine Upper
2	05037734AB	2	D			EWE			GASKET, Cylinder Head Right And Left
3	05037827AA	1	D			EWE			GASKET, Cylinder head Cover Right
		1	D			EWE			Left
4	05038094AA	10	D			EWE			SEAL, Intake Manifold
5	05037927AA	1	D			EWE			GASKET, Intake Plenum
6	05037703AA	2	D			EWE			GASKET, Exhaust Manifold Right And Left
7	05038090AA	2	D			EWE			SEAL, Throttle Body to Intake
8	05037173AA	1	D			EWE			GASKET, Thermostat
9	68026796AA	1	D			EWE			GASKET PACKAGE, Engine Lower
10	05037300AA	1	D			EWE			SEAL, Crankshaft Oil, Rear
11	05037056AC	1	D			EWE			GASKET, Crankshaft Rear Oil Seal Retainer
12	05037067AD	1	D			EWE			GASKET, Timing Case Cover
13	05245135	1	D			EWE			SEAL, Crankshaft Oil, Front
14	05037163AF	1	D			EWE			GASKET, Oil Pan
15	05037171AB	1	D			EWE			GASKET, Water Pump
16	05037173AA	1	D			EWE			GASKET, Thermostat



**VIPER (ZB)**

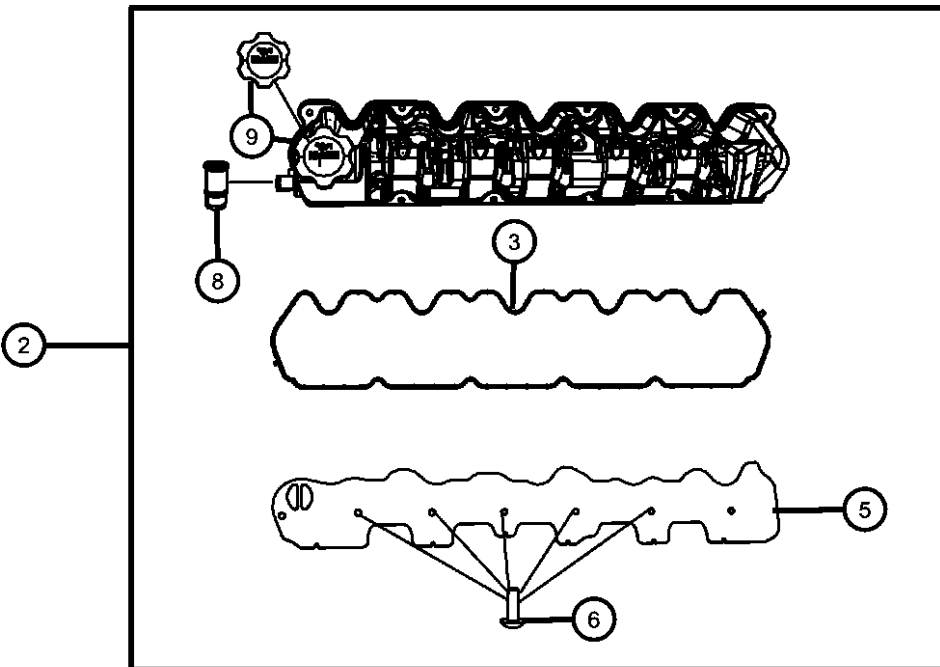
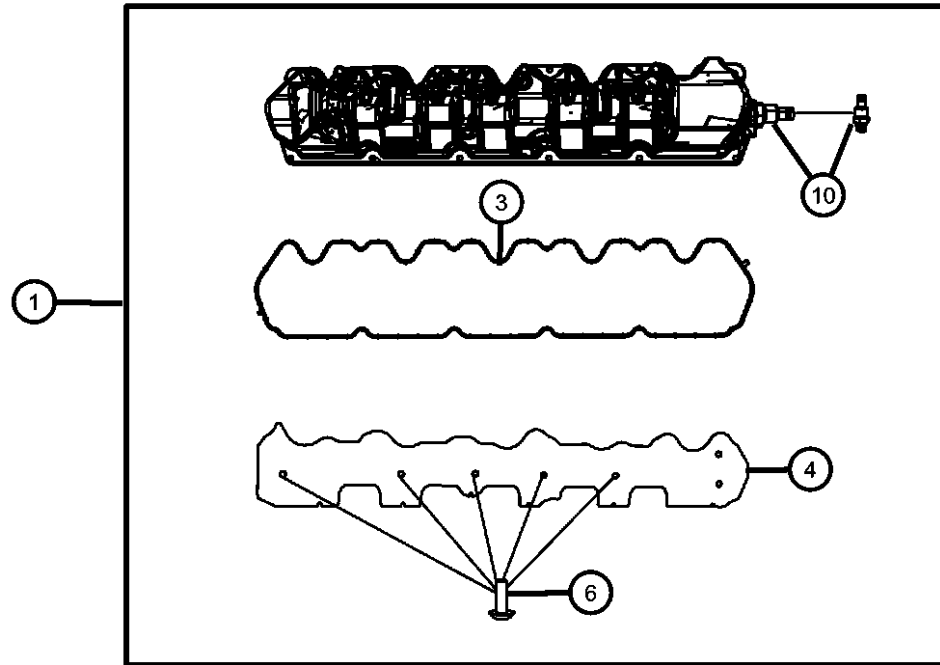
SERIES	LINE	BODY	ENGINE	TRANSMISSION
S = SPORT	D = DODGE	29 = SPECIALTY COUPE	EWE = 8.4L V10 SFI Engine	DEC = 6-Speed Manual Transmission
X = SPECIAL		27 = 2-DR CONVERTIBLE		

AR = use ase required - = Non illustrated part

2008 ZB

**Cylinder Head Covers 8.4L [EWE]  
Figure 009EWE-205**

ITEM	PART NUMBER	QTY	LINE	SERIES	BODY	ENGINE	TRANS	TRIM	DESCRIPTION
------	-------------	-----	------	--------	------	--------	-------	------	-------------



**NOTE:**

Sales Codes:

- [DEC] = 6-Speed Manual Transmission
- [DE0] = All 6-Speed Manual Transmissions
- [EWE] = 8.4L V-10 SFI Engine
- [NAA] = Federal Emissions
- [NAE] = California Emissions
- [NAM] = Mexico Emissions
- [NAS] = 50 State Emissions
- [NA1] = Export Emissions

1	05038162AC	1	D			EWE			COVER, Cylinder Head, Right
2	05038163AC	1	D			EWE			COVER, Cylinder Head, Left
3									GASKET, Cylinder head Cover
	05037827AA	1	D			EWE			Right
		1	D			EWE			Left
4		1							BAFFLE, PCV, Serviced With Right Cylinder Head Cover, (NOT SERVICED)
5		1							BAFFLE, Oil Fill, None, Serviced With Left Cylinder Head Cover, (NOT SERVICED)
6		1							SCREW, [M6x1.00x18.00] Serviced With Cylinder Head Cover, (NOT SERVICED)
7	06508448AA	23	D			EWE			BOLT AND CONED WASHER, Hex Head, M6X1.00X25.00, Cylinder Head Cover To Cylinder Head, Mounting
8	04387304	1	D			EWE			NIPPLE, Crankcase Vent
9	04648832AB	1	D			EWE			CAP, Oil Filler
10	05038299AA	1	D			EWE			VALVE, PCV

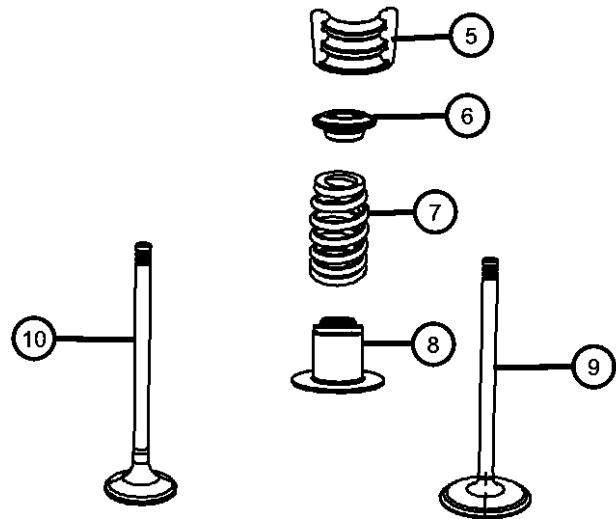
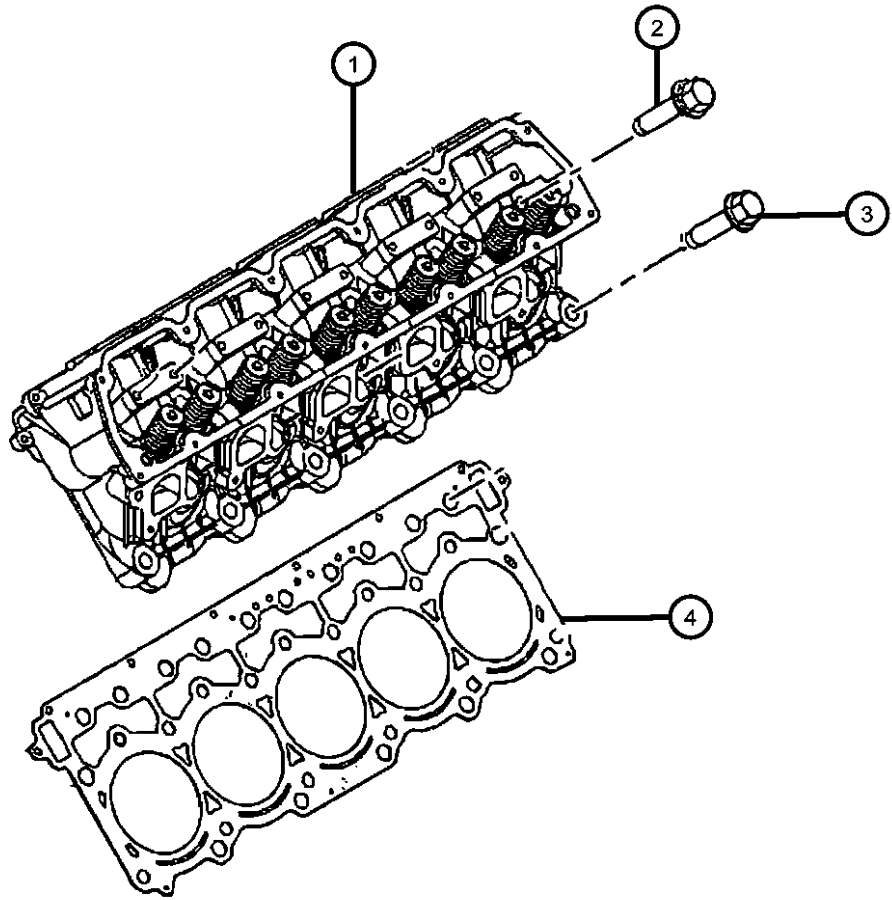
**VIPER (ZB)**

SERIES	LINE	BODY	ENGINE	TRANSMISSION
S = SPORT	D = DODGE	29 = SPECIALTY COUPE	EWE = 8.4L V10 SFI Engine	DEC = 6-Speed Manual Transmission
X = SPECIAL		27 = 2-DR CONVERTIBLE		

AR = use ase required - = Non illustrated part

2008 ZB

**Cylinder heads 8.4L [EWE]  
Figure 009EWE-225**



ITEM	PART NUMBER	QTY	LINE	SERIES	BODY	ENGINE	TRANS	TRIM	DESCRIPTION
------	-------------	-----	------	--------	------	--------	-------	------	-------------

NOTE:  
Sales Codes:  
[DEC] = 6-Speed Manual Transmission  
[DE0] = All 6-Speed Manual Transmissions  
[EWE] = 8.4L V-10 SFI Engine  
[NAA] = Federal Emissions  
[NAE] = California Emissions  
[NAM] = Mexico Emissions  
[NAS] = 50 State Emissions  
[NA1] = Export Emissions

1	05037711AE	2	D			EWE			HEAD, Cylinder, Complete Includes Valvetrain, Right And Left
2	06509056AA	16	D			EWE			BOLT, Hex Head, M6x1.00x30.00, Cylinder Head Tappet Gallery, Mounting
3	06509080AA	24	D			EWE			BOLT, Hex Flange Head, M11x1.50x110.00, Cylinder Head To Cylinder Block, Mounting
4	05037734AB	2	D			EWE			GASKET, Cylinder Head Right And Left
5	53010515AA	40	D			EWE			LOCK, Valve Spring Retainer
6	53021676AB	20	D			EWE			RETAINER, Valve Spring
7	05037720AA	20	D			EWE			SPRING, Valve
8	05037847AA	20	D			EWE			SEAL, Valve Guide
9	05037718AA	10	D			EWE			VALVE, Intake, Standard
10	05037719AB	10	D			EWE			VALVE, Exhaust, Standard

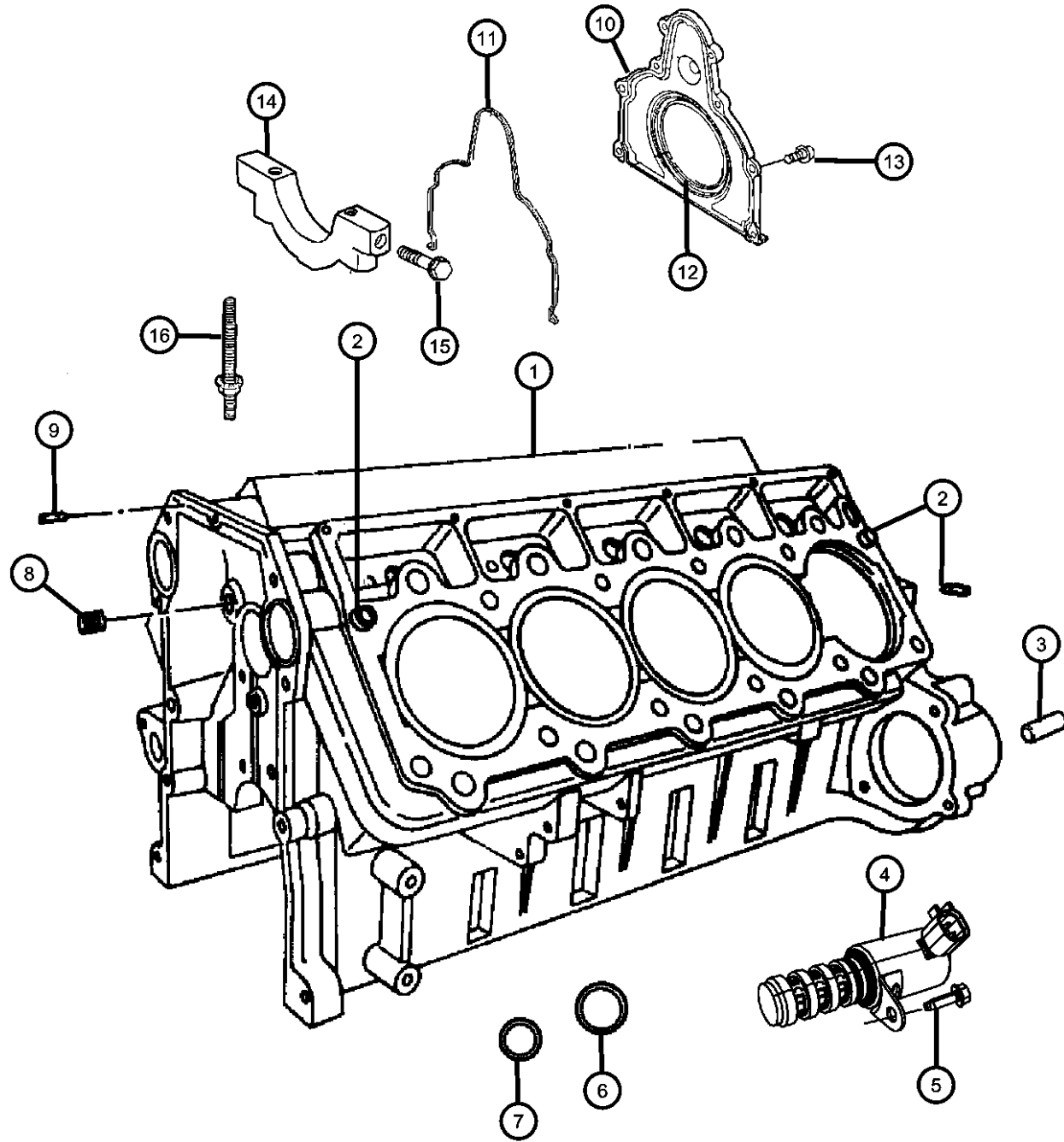
**VIPER (ZB)**

SERIES	LINE	BODY	ENGINE	TRANSMISSION
S = SPORT	D = DODGE	29 = SPECIALTY COUPE	EWE = 8.4L V10 SFI Engine	DEC = 6-Speed Manual Transmission
X = SPECIAL		27 = 2-DR CONVERTIBLE		

AR = use ase required - = Non illustrated part

2008 ZB

**Cylinder Block And Hardware 8.4L [EWE]  
Figure 009EWE-305**



**NOTE:**

Sales Codes:  
 [DEC] = 6-Speed Manual Transmission  
 [DE0] = All 6-Speed Manual Transmissions  
 [EWE] = 8.4L V-10 SFI Engine  
 [NAA] = Federal Emissions  
 [NAE] = California Emissions  
 [NAM] = Mexico Emissions  
 [NAS] = 50 State Emissions  
 [NA1] = Export

ITEM	PART NUMBER	QTY	LINE	SERIES	BODY	ENGINE	TRANS	TRIM	DESCRIPTION
1	68026794AA	1	D			EWE			ENGINE, Short Block
2	J4005149	6	D			EWE			DOWEL PIN, .620Dx.50 Main Cap To Cylinder Block, Mounting
3	04429678	4	D			EWE			Cylinder Head To Cylinder Block, Mounting
4	05037796AA	2	D			EWE			DOWEL PIN, Clutch Housing To Cylinder Block, Mounting
5	06101826	1	D			EWE			CONTROL VALVE, Oil Exhaust
6	04663941AB	1	D			EWE			BOLT, Hex Head, M6x1.00x20.00, Oil Control Valve To Cylinder Block, Mounting
7	06036308AA	5	D			EWE			PLUG, Core, [1 Inch Diameter]
8	06036543AA	3	D			EWE			PLUG, Core, [.375-18x.475], Oil Gallery Block Off
9	05245055	2	D			EWE			PLUG, Pipe, [.125-27x.310], Oil Gallery Block Off
10	05038010AB	1	D			EWE			DOWEL PIN, [10MM], Front Chain Case Cover, Mounting
11	05037056AC	1	D			EWE			RETAINER, Crankshaft Rear Oil Seal, Includes Gasket And Oil Seal
12	05037300AA	1	D			EWE			GASKET, Crankshaft Rear Oil Seal Retainer
13	06509056AA	8	D			EWE			SEAL, Crankshaft Oil, Rear
14	06509056AA	8	D			EWE			BOLT, Hex Head, M6x1.00x30.00, Rear Crankshaft Seal Retainer To Cylinder Block, Mounting
15	06504410	12	D			EWE			CAP, Main, Serviced With Engine Short Block, (NOT SERVICED)
16	06508545AA	12	D			EWE			BOLT, Hex Flange Head, M10X1.50X55.00, Main Bearing Cap To Cylinder Block, Mounting
									STUD, Double Ended, M12x1.00xM12x1.75x144.00, Main Bearing Cap To Cylinder Block, Mounting

**VIPER (ZB)**

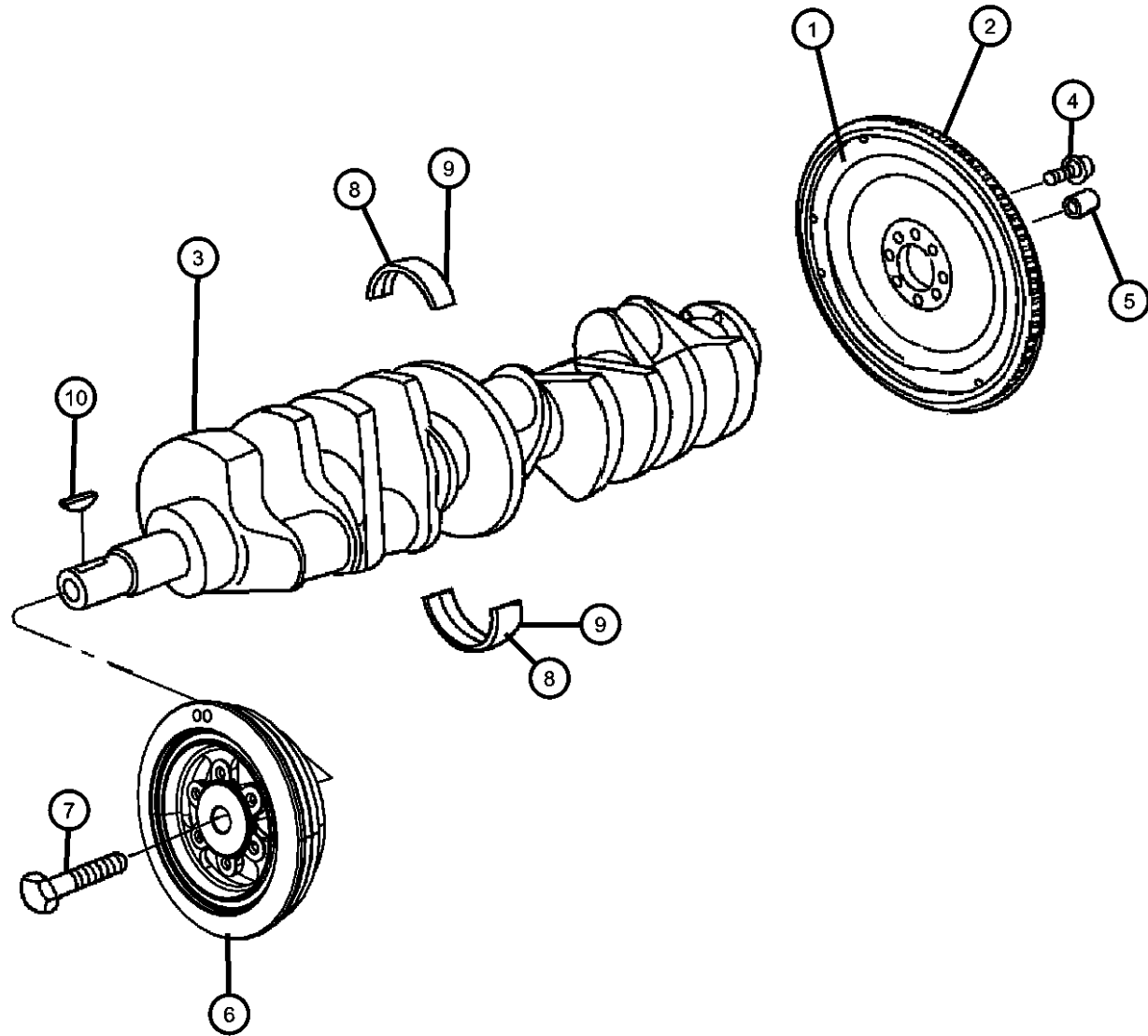
SERIES	LINE	BODY	ENGINE	TRANSMISSION
S = SPORT	D = DODGE	29 = SPECIALTY COUPE	EWE = 8.4L V10 SFI Engine	DEC = 6-Speed Manual Transmission
X = SPECIAL		27 = 2-DR CONVERTIBLE		

AR = use ase required - = Non illustrated part

**Crankshaft, Crankshaft Bearings, Damper, And Flywheel 8.4L [EWE]  
Figure 009EWE-405**

ITEM	PART NUMBER	QTY	LINE	SERIES	BODY	ENGINE	TRANS	TRIM	DESCRIPTION
------	-------------	-----	------	--------	------	--------	-------	------	-------------

NOTE:  
Sales Codes:  
[DEC] = 6-Speed Manual Transmission  
[DE0] = All 6-Speed Manual Transmissions  
[EWE] = 8.4L V-10 SFI Engine  
[NAA] = Federal Emissions  
[NAE] = California Emissions  
[NAM] = Mexico Emissions  
[NAS] = 50 State Emissions  
[NA1] = Export Emissions



1	05037965AB	1	D			EWE			FLYWHEEL, Includes Ring Gear
2	02843214	1	D			EWE			GEAR, Flywheel Ring
3	05037695AB	1	D			EWE			CRANKSHAFT
4	06508879AA	8	D			EWE			BOLT, Hex Head Locking, M10x1.00x30.00, Flywheel To Crankshaft, Mounting
5	53009181AB	1	D			EWE			BEARING, Pilot
6	05037727AB	1	D			EWE			DAMPER, Vibration
7	06036207AA	1	D			EWE			BOLT, Hex Head, .750-16x2.250, Vibration Damper To Crankshaft, Mounting
8	04723540AD	1	D			EWE			BEARING PACKAGE, Crankshaft Thrust, Standard Size, Thrust Bearing, Contains 1 Upper And 1 Lower Bearing
9	04723538AC	5	D			EWE			BEARING PACKAGE, Crankshaft, Standard, Main Bearing, 1,2,4,5,6 White Or Clear
10	06034749	1	D			EWE			KEY, Woodruff, [.188x.780], Crankshaft Sprocket

**VIPER (ZB)**

SERIES	LINE	BODY	ENGINE	TRANSMISSION
S = SPORT	D = DODGE	29 = SPECIALTY COUPE	EWE = 8.4L V10 SFI Engine	DEC = 6-Speed Manual Transmission
X = SPECIAL		27 = 2-DR CONVERTIBLE		

AR = use ase required - = Non illustrated part

2008 ZB



**Pistons, Piston Rings, Connecting Rods And Connecting Rod bearings 8.4L [EWE]  
Figure 009EWE-425**

ITEM	PART NUMBER	QTY	LINE	SERIES	BODY	ENGINE	TRANS	TRIM	DESCRIPTION
------	-------------	-----	------	--------	------	--------	-------	------	-------------

NOTE: For Crankshaft Identification, Stamping Location And Bearing Information Refer To The Service Manual.  
For Bearing Selection Sizes Please Refer To Service Manual Group 9, Bearings Crankshaft Main, [ Select Fit Identification]

Sales Codes:  
[DEC] = 6-Speed Manual Transmission  
[DE0] = All 6-Speed Manual Transmissions  
[EWE] = 8.4L V-10 SFI Engine  
[NAA] = Federal Emissions  
[NAE] = California Emissions  
[NAM] = Mexico Emissions  
[NAS] = 50 State Emissions  
[NA1] = Export Emissions

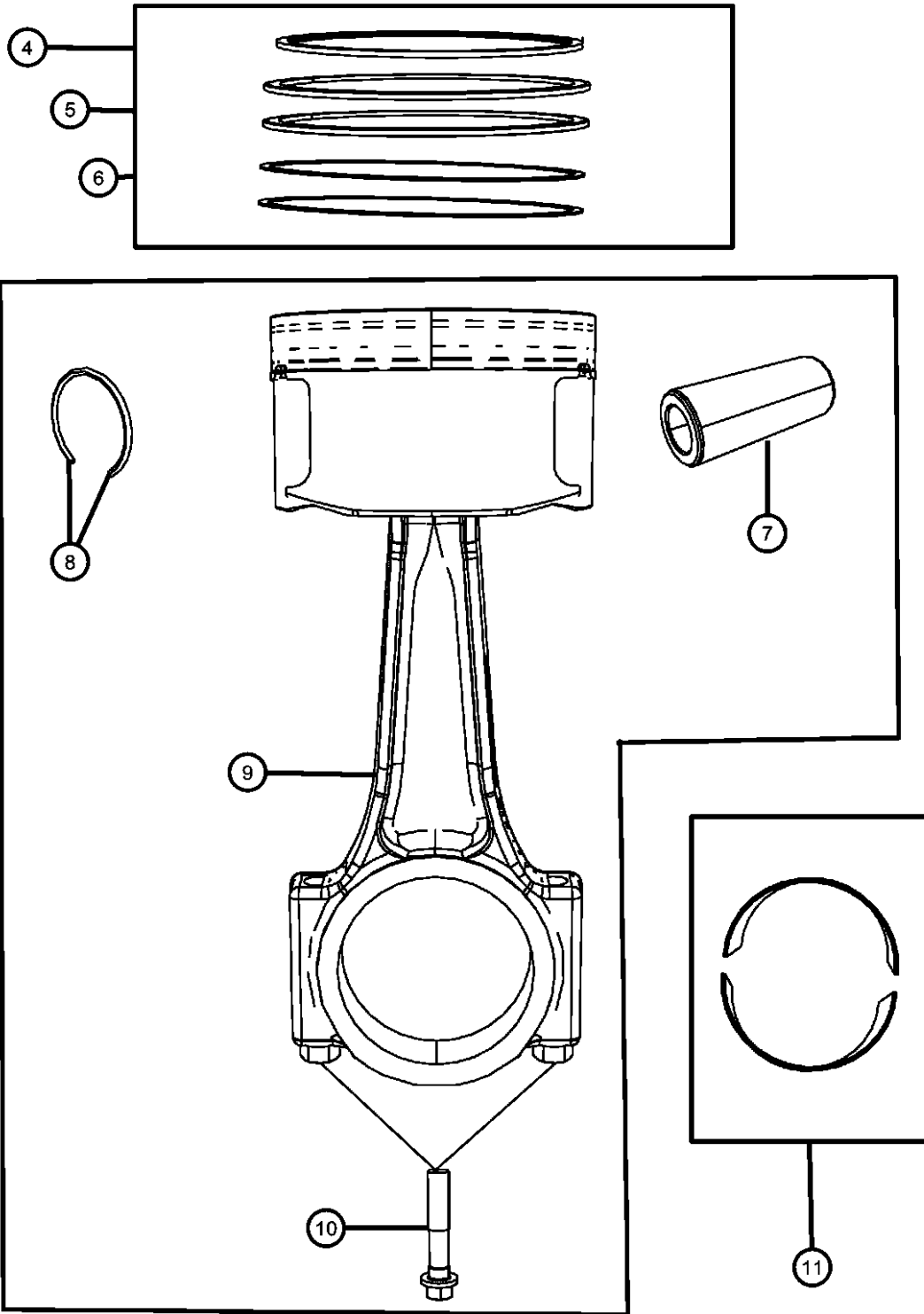
1	05037490AB	5	D			EWE			PISTON PIN AND ROD, STD Cylinders 2,4,6,8, And 10, Right
	05037491AB	5	D			EWE			Cylinders 1,3,5,7, And 9, Left
2	68030898AA	AR	D			EWE			PISTON PIN AND ROD, .010" O/S Cylinders 2,4,6,8, And 10, Right
	68030899AA	AR	D			EWE			Cylinders 1,3,5,7, And 9, Left
3	68030908AA	AR	D			EWE			PISTON PIN AND ROD, .020" O/S Cylinders 2,4,6,8, And 10, Right
	68030909AA	AR	D			EWE			Cylinders 1,3,5,7, And 9, Left
4	68030676AA	1	D			EWE			RING PACKAGE, Piston, Standard Size, One Package Is For Complete Engine [10 Pistons]
5	68030808AA	1	D			EWE			PISTON RING SET, COMPLETE ENGINE, .010" O/S
6	68030809AA	1	D			EWE			PISTON RING SET, COMPLETE ENGINE, .020" O/S
7	68030809AA	1							PIN, Piston, Serviced With Piston Package, (NOT SERVICED)
8	68030809AA	1							RING, Piston Pin, Serviced With Piston Package, (NOT SERVICED)
9	68030809AA	1							ROD, Connecting, Serviced With Piston Package, (NOT SERVICED)
10	06508245AA	10	D			EWE			BOLT, Connecting Rod Connecting Rod Cap To Connecting Rod, Mounting, Right
		10	D			EWE			Connecting Rod Cap To Connecting Rod, Mounting, Left
11	05086003AB	20	D			EWE			BEARING PACKAGE, Connecting Rod, Standard, See Note

**VIPER (ZB)**

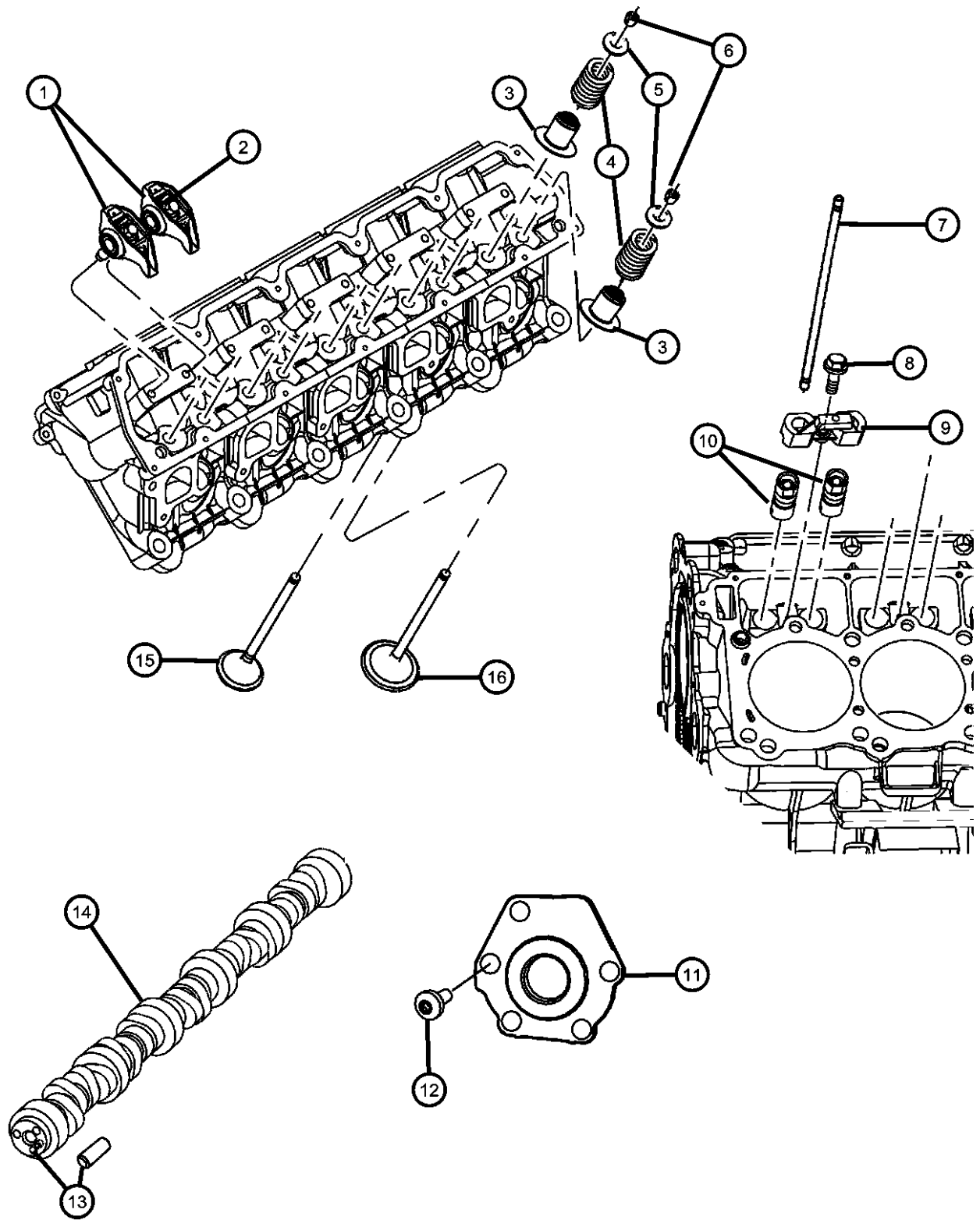
SERIES	LINE	BODY	ENGINE	TRANSMISSION
S = SPORT	D = DODGE	29 = SPECIALTY COUPE	EWE = 8.4L V10 SFI Engine	DEC = 6-Speed Manual Transmission
X = SPECIAL		27 = 2-DR CONVERTIBLE		

AR = use ase required - = Non illustrated part

2008 ZB



**Camshaft And Valvtrain 8.4L [EWE]  
Figure 009EWE-506**

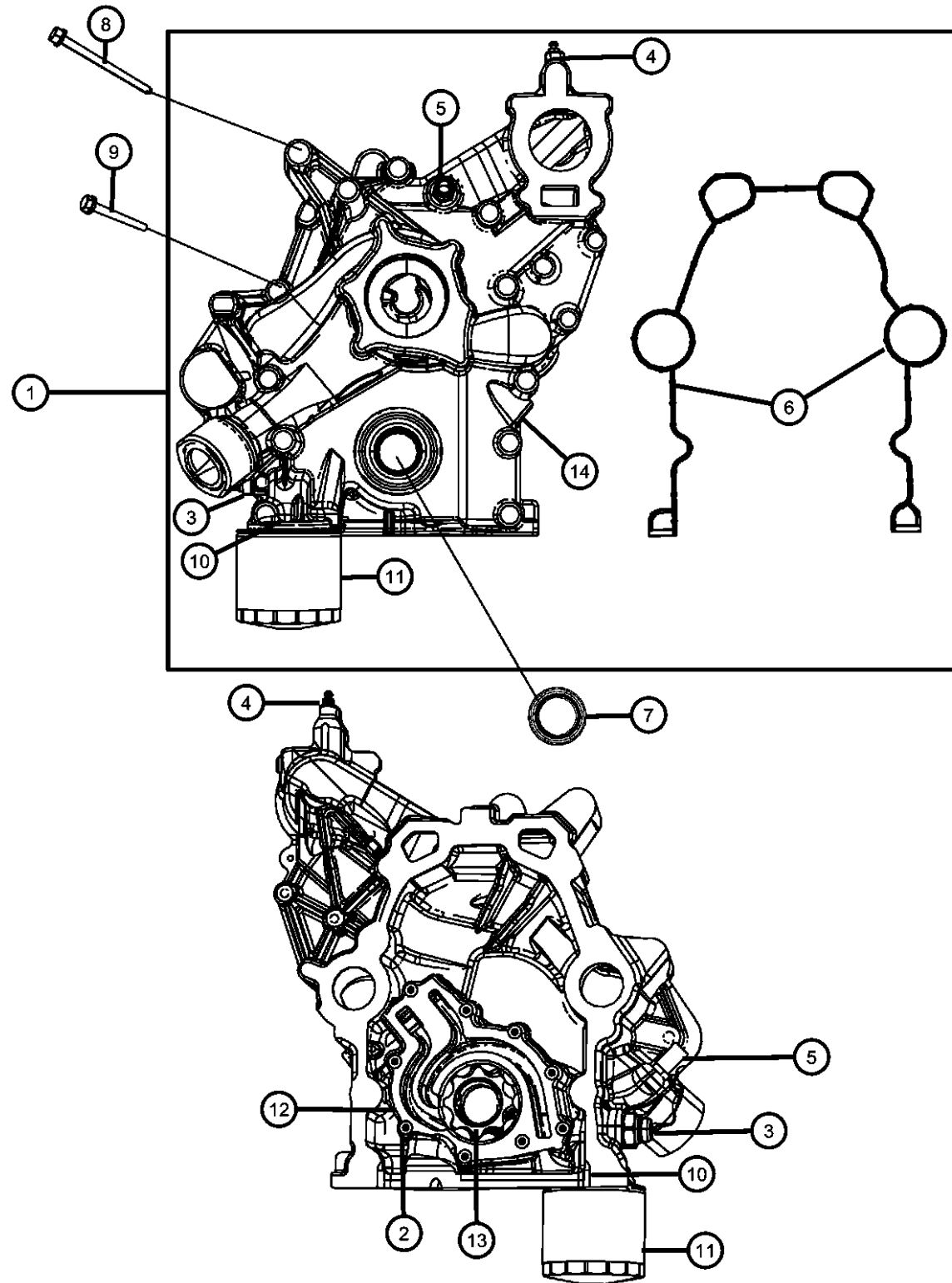


ITEM	PART NUMBER	QTY	LINE	SERIES	BODY	ENGINE	TRANS	TRIM	DESCRIPTION
NOTE: Sales Codes: [DEC] = 6-Speed Manual Transmission [DE0] = All 6-Speed Manual Transmissions [EWE] = 8.4L V-10 SFI Engine [NAA] = Federal Emissions [NAE] = California Emissions [NAM] = Mexico Emissions [NAS] = 50 State Emissions [NA1] = Export Emissions									
1									ROCKER ARM AND PIVOT, Valve, Includes Pedestal
	05037805AA	10	D			EWE			Exhaust
	05037806AA	10	D			EWE			Intake
2									BOLT, Hex Flange Head, M8x1.25x37.50
	06508789AA	10	D			EWE			Rocker Arm To Cylinder Head, Mounting, Exhaust
		10	D			EWE			Rocker Arm To Cylinder Head, Mounting, Intake
3	05037847AA	20	D			EWE			SEAL, Valve Guide
4	05037720AA	20	D			EWE			SPRING, Valve
5	53021676AB	20	D			EWE			RETAINER, Valve Spring
6	53010515AA	40	D			EWE			LOCK, Valve Spring Retainer
7	05037808AA	20	D			EWE			PUSH ROD, Valve
8	06508877AA	10	D			EWE			BOLT, Hex Head, M6x1.00x25.00, Tappet Yoke To Cylinder Block, Mounting
9	05037807AA	10	D			EWE			YOKE, Tappet Aligning
10	05037812AA	20	D			EWE			TAPPET, Hyd. Roller
11	05037819AB	1	D			EWE			PLATE, Camshaft Thrust
12	06104142AA	8	D			EWE			SCREW, Pan Head, M6x1.00x16.00, Camshaft Thrust Plate To Cylinder Block, Mounting
13	06104142AA	8	D			EWE			DOWEL, .25x.62, Serviced With Camshaft, (NOT SERVICED)
14	05037698AA	1	D			EWE			CAMSHAFT, Engine
15	05037719AB	10	D			EWE			VALVE, Exhaust, Standard
16	05037718AA	10	D			EWE			VALVE, Intake, Standard

<b>VIPER (ZB)</b>				
SERIES	LINE	BODY	ENGINE	TRANSMISSION
S = SPORT	D = DODGE	29 = SPECIALTY COUPE	EWE = 8.4L V10 SFI Engine	DEC = 6-Speed Manual Transmission
X = SPECIAL		27 = 2-DR CONVERTIBLE		

AR = use ase required - = Non illustrated part

Timing Case Cover 8.4L [EWE]  
Figure 009EWE-605



ITEM	PART NUMBER	QTY	LINE	SERIES	BODY	ENGINE	TRANS	TRIM	DESCRIPTION
NOTE: Sales Codes: [DEC] = 6-Speed Manual Transmission [DE0] = All 6-Speed Manual Transmissions [EWE] = 8.4L V-10 SFI Engine [NAA] = Federal Emissions [NAE] = California Emissions [NAM] = Mexico Emissions [NAS] = 50 State Emissions [NA1] = Export Emissions									
1	05037708AC	1	D			EWE			COVER, Timing Case, Includes All Items listed Below Less Front Crankshaft Seal And Mounting Bolts
2	06505388AA	9	D			EWE			BOLT, Torx, M6X1.00X18.00, Oil Pump Cover To Timing Case Cover, Mounting
3	05037316AC	1	D			EWE			FITTING, Male
4	05015248AB	1	D			EWE			SCREW, Bleeder
5	06035854	2	D			EWE			NIPPLE, .375-18X2.00
6	05037067AD	1	D			EWE			GASKET, Timing Case Cover
7	05245135	1	D			EWE			SEAL, Crankshaft Oil, Front
8	06502929	3	D			EWE			BOLT, Hex Head Locking, M8X1.25X119.00, Timing Case Cover To Cylinder Block, Mounting
9	06102045AA	8	D			EWE			BOLT, Hex Head, M8x1.25x78.00, Timing Case Cover To Cylinder Block, Mounting
10	05037973AA	1	D			EWE			CONNECTOR, Oil Filter Adapter
11	05038041AA	1	D			EWE			FILTER, Engine Oil
12	05037942AB	1	D			EWE			COVER, Engine Oil Pump
13	05037947AA	1	D			EWE			ROTOR SET, Oil Pump
14	05037929AB	1	D			EWE			BODY, Oil Pump Pressure

VIPER (ZB)

SERIES	LINE	BODY	ENGINE	TRANSMISSION
S = SPORT	D = DODGE	29 = SPECIALTY COUPE	EWE = 8.4L V10 SFI Engine	DEC = 6-Speed Manual Transmission
X = SPECIAL		27 = 2-DR CONVERTIBLE		

AR = use ase required - = Non illustrated part

2008 ZB

Timing System 8.4L [EWE]  
Figure 009EWE-625

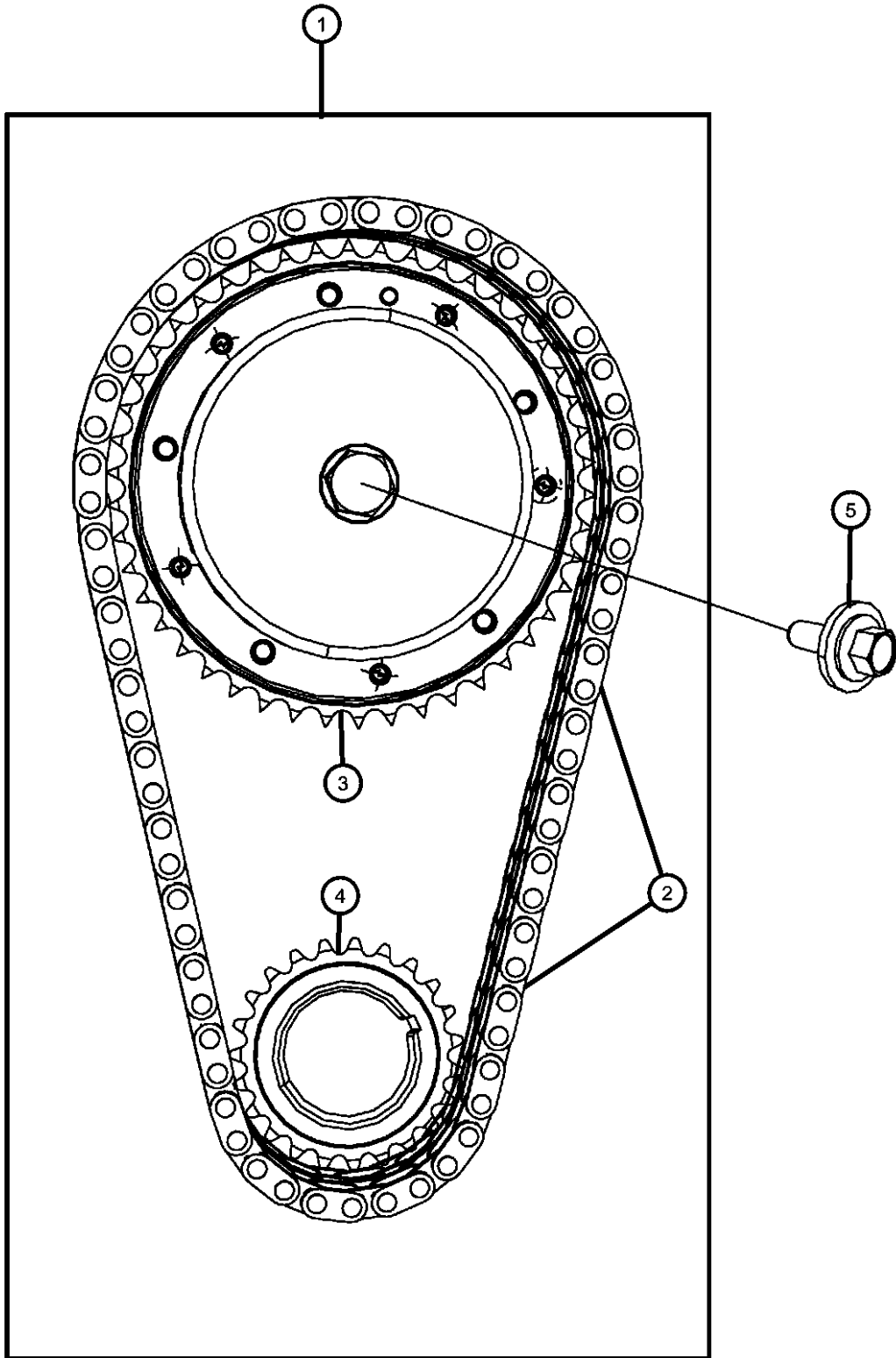
ITEM	PART NUMBER	QTY	LINE	SERIES	BODY	ENGINE	TRANS	TRIM	DESCRIPTION
------	-------------	-----	------	--------	------	--------	-------	------	-------------

NOTE:

Sales Codes:

- [DEC] = 6-Speed Manual Transmission
- [DE0] = All 6-Speed Manual Transmissions
- [EWE] = 8.4L V-10 SFI Engine
- [NAA] = Federal Emissions
- [NAE] = California Emissions
- [NAM] = Mexico Emissions
- [NAS] = 50 State Emissions
- [NA1] = Export Emissions

1	68026797AA	1	D			EWE			CHAIN PACKAGE, Timing
2	68026797AA	1							CHAIN, Timing, Serviced In Timing Chain Package, (NOT SERVICED)
3	68026797AA	1							PHASER, Camshaft, Serviced In Timing Chain Package, (NOT SERVICED)
4	68026797AA	1							SPROCKET, Crankshaft, Serviced In Timing Chain Package, (NOT SERVICED)
5	06104675AA	9	D			EWE			BOLT, Pan Head, M6.0X1.00X14.00, Phaser To Camshaft, Mounting



VIPER (ZB)

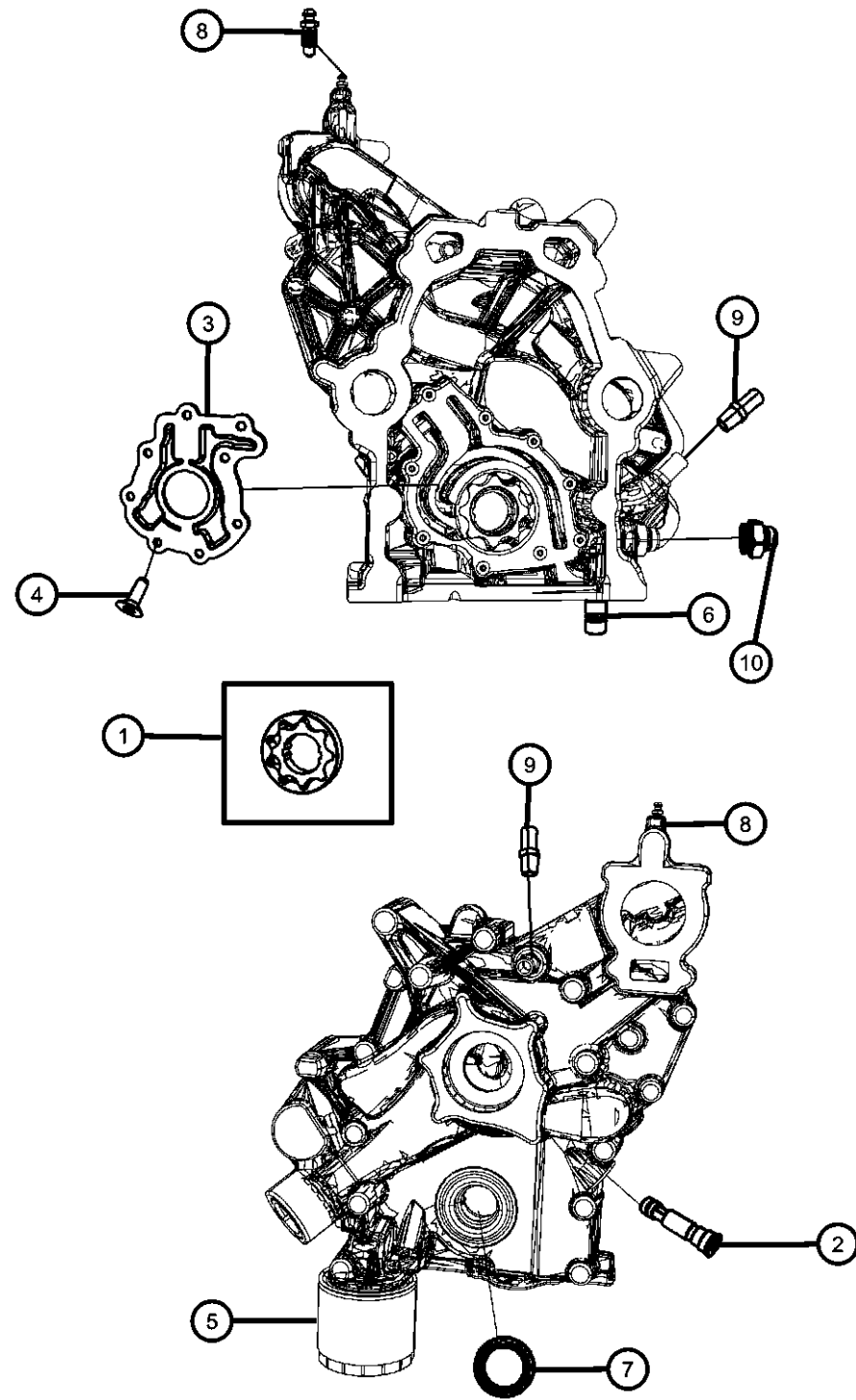
SERIES	LINE	BODY	ENGINE	TRANSMISSION
S = SPORT	D = DODGE	29 = SPECIALTY COUPE	EWE = 8.4L V10 SFI Engine	DEC = 6-Speed Manual Transmission
X = SPECIAL		27 = 2-DR CONVERTIBLE		

AR = use ase required - = Non illustrated part

2008 ZB

**Engine Oiling Pump 8.4L [EWE]  
Figure 009EWE-705**

ITEM	PART NUMBER	QTY	LINE	SERIES	BODY	ENGINE	TRANS	TRIM	DESCRIPTION
------	-------------	-----	------	--------	------	--------	-------	------	-------------



**NOTE:**

Sales Codes:

- [DEC] = 6-Speed Manual Transmission
- [DE0] = All 6-Speed Manual Transmissions
- [EWE] = 8.4L V-10 SFI Engine
- [NAA] = Federal Emissions
- [NAE] = California Emissions
- [NAM] = Mexico Emissions
- [NAS] = 50 State Emissions
- [NA1] = Export Emissions

1	05037947AA	1	D			EWE			ROTOR SET, Oil Pump
2	05037929AB	1	D			EWE			BODY, Oil Pump Pressure
3	05037942AB	1	D			EWE			COVER, Engine Oil Pump
4	06505388AA	9	D			EWE			BOLT, Torx, M6X1.00X18.00, Oil Pump Cover To Front Timing Case Cover, Mounting
5	05038041AA	1	D			EWE			FILTER, Engine Oil
6	05037973AA	1	D			EWE			CONNECTOR, Oil Filter Adapter
7	05245135	1	D			EWE			SEAL, Crankshaft Oil, Front
8	05015248AB	1	D			EWE			SCREW, Bleeder
9	06035854	2	D			EWE			NIPPLE, .375-18X2.00
10	05037316AC	1	D			EWE			FITTING, Male, [Thread 7/8-14 UNF-2A]

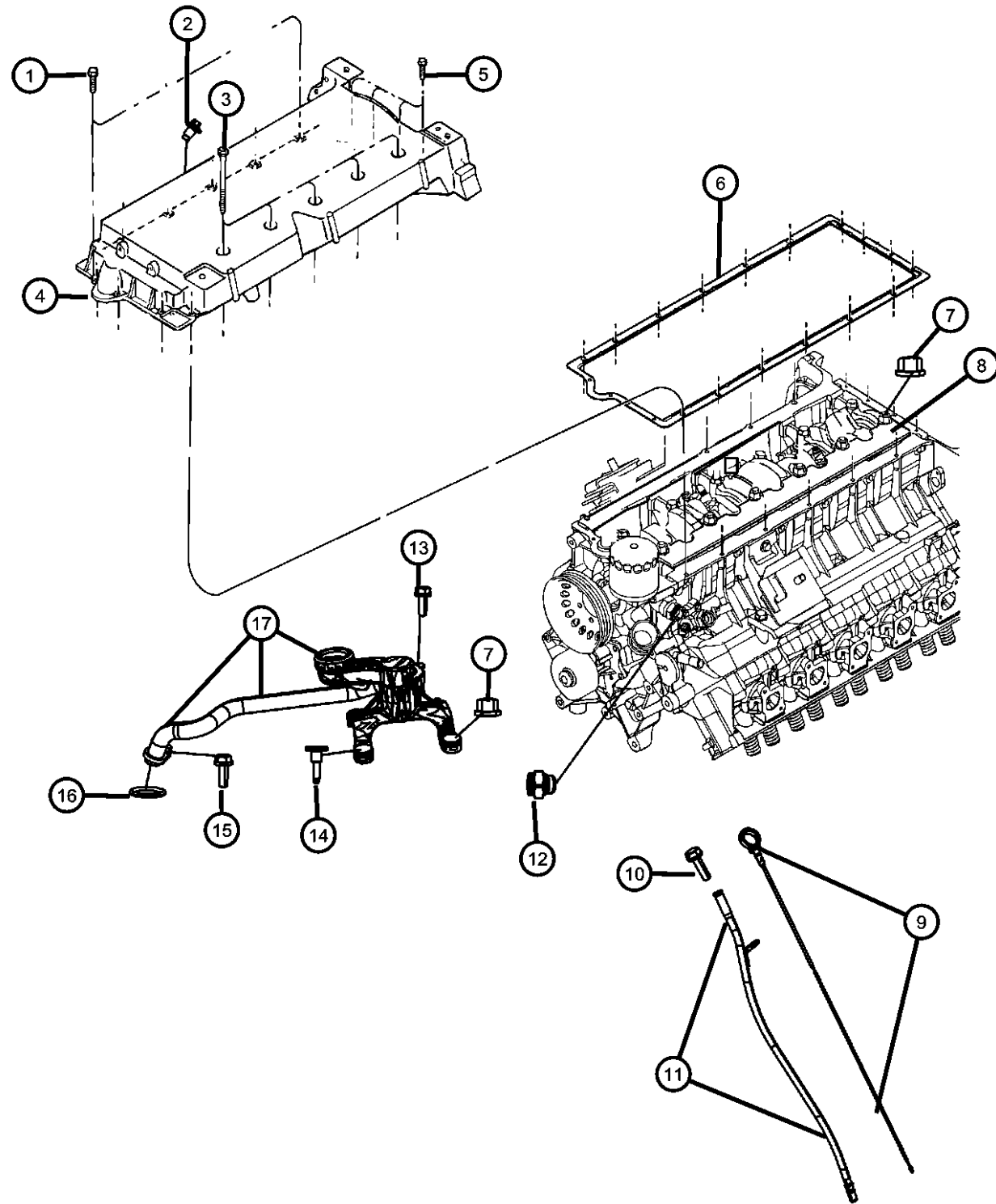
**VIPER (ZB)**

SERIES	LINE	BODY	ENGINE	TRANSMISSION
S = SPORT	D = DODGE	29 = SPECIALTY COUPE	EWE = 8.4L V10 SFI Engine	DEC = 6-Speed Manual Transmission
X = SPECIAL		27 = 2-DR CONVERTIBLE		

AR = use ase required - = Non illustrated part

2008 ZB

**Engine Oil Pan, Engine Oil Level Indicator And Related Parts 8.4L [EWE]  
Figure 009EWE-725**



ITEM	PART NUMBER	QTY	LINE	SERIES	BODY	ENGINE	TRANS	TRIM	DESCRIPTION
------	-------------	-----	------	--------	------	--------	-------	------	-------------

NOTE:  
Sales Codes:  
[DEC] = 6-Speed Manual Transmission  
[DE0] = All 6-Speed Manual Transmissions  
[EWE] = 8.4L V-10 SFI Engine  
[NAA] = Federal Emissions  
[NAE] = California Emissions  
[NAM] = Mexico Emissions  
[NAS] = 50 State Emissions  
[NA1] = Export Emissions

1	06503202	10	D			EWE			BOLT AND WASHER, Hex Head, M8X1.25X35.00, Oil Pan To Cylinder Block, Mounting
2	06507741AA	1	D			EWE			PLUG, Oil Drain, [M14x1.50x21.50]
3	06502929	5	D			EWE			BOLT, Hex Head Locking, M8X1.25X119.00, Oil Pan To Cylinder Block, Mounting
4	05037735AC	1	D			EWE			PAN, Engine Oil
5	06509056AA	4	D			EWE			BOLT, Hex Head, M6x1.00x30.00, Oil Pan To Rear Seal Retainer, Mounting
6	05037163AF	1	D			EWE			GASKET, Oil Pan
7	06101445	6	D			EWE			NUT AND WASHER, Hex, M8x1.25
		2	D			EWE			Windage Tray To Main Studs, Mounting
			D			EWE			Oil Pickup Tube To Main Studs, Mounting
8	05037158AD	1	D			EWE			TRAY, Windage
9	05037851AA	1	D			EWE			INDICATOR, Engine Oil Level
10	06508448AA	1	D			EWE			BOLT AND CONED WASHER, Hex Head, M6X1.00X25.00, Engine Oil Level Indicator Tube To Cylinder Head, Mounting
11	05037852AA	1	D			EWE			TUBE, Engine Oil Indicator
12	05037316AC	1	D			EWE			FITTING, Male, [Thread 7/8-14 UNF-2A]
13	06100296	1	D			EWE			BOLT AND CONED WASHER, Hex Head, M8X1.25X25.00, Oil Pickup Tube, Mounting
14	06509085AA	1	D			EWE			SCREW, Torx Head, M6x1.00x28.50, Pickup Tube Arm To Pickup Body, Mounting
15	06100296	1	D			EWE			BOLT AND CONED WASHER, Hex Head, M8X1.25X25.00, Oil Pickup Tube To Timing Chain Case, Mounting
16	53020861	1	D			EWE			SEAL, Oil Pick Up Tube
17	05038022AB	1	D			EWE			TUBE, Oil Pickup

**VIPER (ZB)**

SERIES	LINE	BODY	ENGINE	TRANSMISSION
S = SPORT	D = DODGE	29 = SPECIALTY COUPE	EWE = 8.4L V10 SFI Engine	DEC = 6-Speed Manual Transmission
X = SPECIAL		27 = 2-DR CONVERTIBLE		

AR = use ase required - = Non illustrated part

2008 ZB

**Engine Oil Filter And Engine Oil 8.4L [EWE]  
Figure 009EWE-745**

ITEM	PART NUMBER	QTY	LINE	SERIES	BODY	ENGINE	TRANS	TRIM	DESCRIPTION
------	-------------	-----	------	--------	------	--------	-------	------	-------------

NOTE:

Sales Codes:

[DEC] = 6-Speed Manual Transmission

[DE0] = All 6-Speed Manual Transmissions

[EWE] = 8.4L V-10 SFI Engine

[NAA] = Federal Emissions

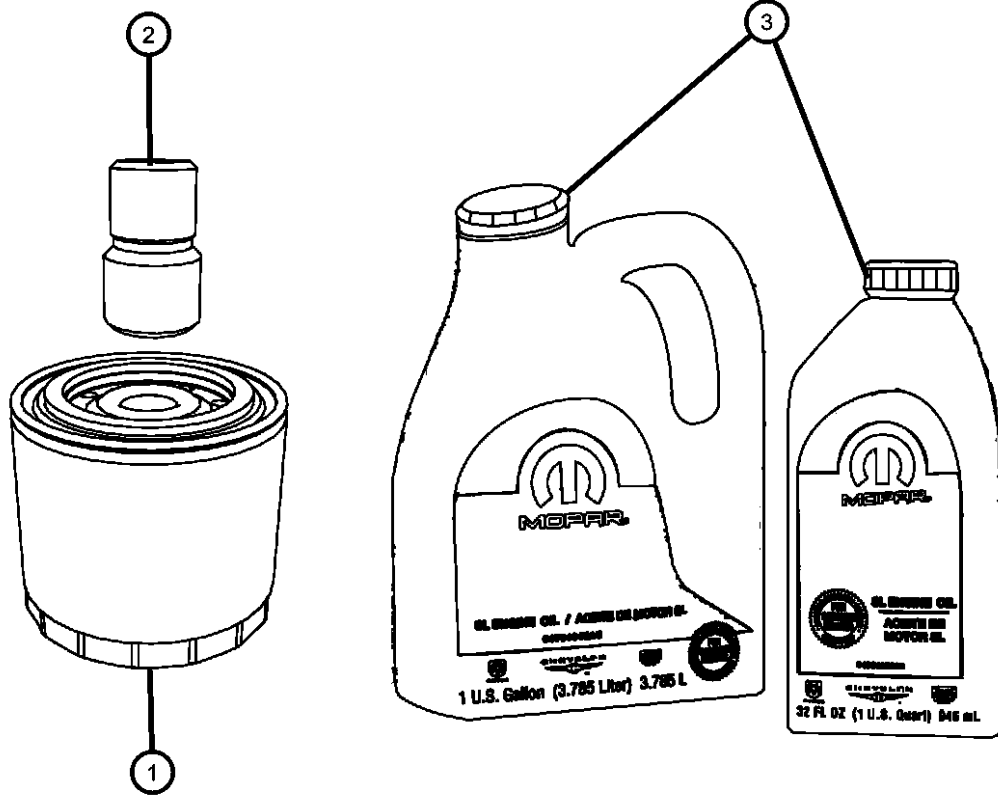
[NAE] = California Emissions

[NAM] = Mexico Emissions

[NAS] = 50 State Emissions

[NA1] = Export Emissions

1	05038041AA	1	D			EWE			FILTER, Engine Oil
2	05037973AA	1	D			EWE			CONNECTOR, Oil Filter Adapter
3	05037973AA	1							OIL, Synthetic, (NOT SERVICED)



**VIPER (ZB)**

SERIES

LINE

BODY

ENGINE

TRANSMISSION

S = SPORT

D = DODGE

29 = SPECIALTY COUPE

EWE = 8.4L V10 SFI Engine

DEC = 6-Speed Manual Transmission

X = SPECIAL

27 = 2-DR CONVERTIBLE

AR = use ase required - = Non illustrated part

2008 ZB

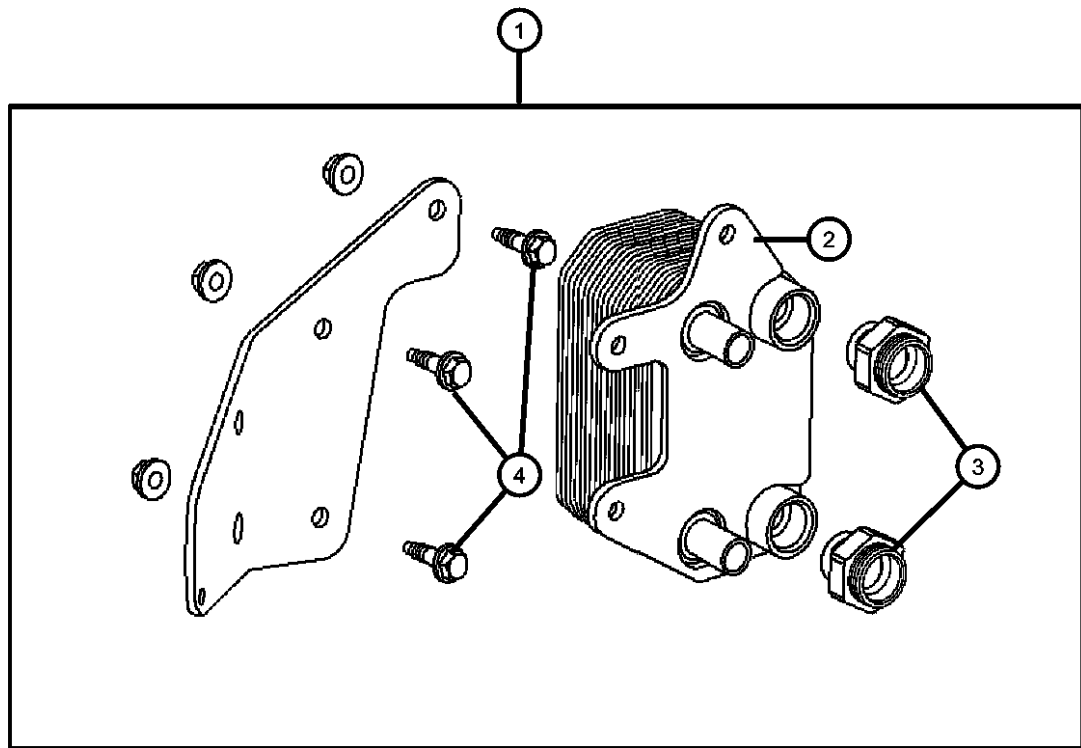
**Engine Oil Cooler 8.4L [EWE]  
Figure 009EWE-805**

ITEM	PART NUMBER	QTY	LINE	SERIES	BODY	ENGINE	TRANS	TRIM	DESCRIPTION
------	-------------	-----	------	--------	------	--------	-------	------	-------------

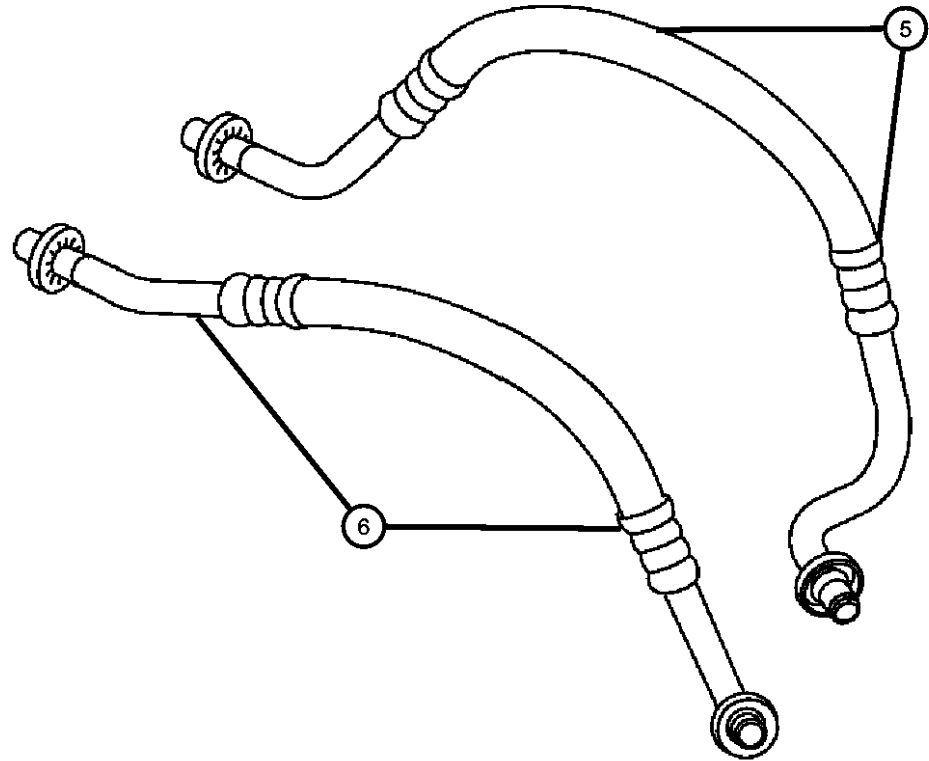
NOTE:

Sales Codes:

- [DEC] = 6-Speed Manual Transmission
- [DE0] = All 6-Speed Manual Transmissions
- [EWE] = 8.4L V-10 SFI Engine
- [NAA] = Federal Emissions
- [NAE] = California Emissions
- [NAM] = Mexico Emissions
- [NAS] = 50 State Emissions
- [NA1] = Export Emissions



1	05290014AD	1	D						COOLER, Engine Oil, Includes Fittings
2	05290014AD	1							BRACKET, Oil Cooler, Serviced In Cooler Assembly, (NOT SERVICED)
3	05037316AC	2	D						FITTING, Male, [Thread 7/8-14 UNF-2A]
4	06105099AA	3	D						SCREW AND WASHER, Hex Head, M6X1.0X30.00, Engine Oil Cooler To Inner Right Fender, Mounting
5	05030631AB	1	D						LINE, Oil Cooler Inlet
6	05030630AB	1	D						LINE, Oil Cooler Outlet



**VIPER (ZB)**

SERIES	LINE	BODY	ENGINE	TRANSMISSION
S = SPORT	D = DODGE	29 = SPECIALTY COUPE	EWE = 8.4L V10 SFI Engine	DEC = 6-Speed Manual Transmission
X = SPECIAL		27 = 2-DR CONVERTIBLE		

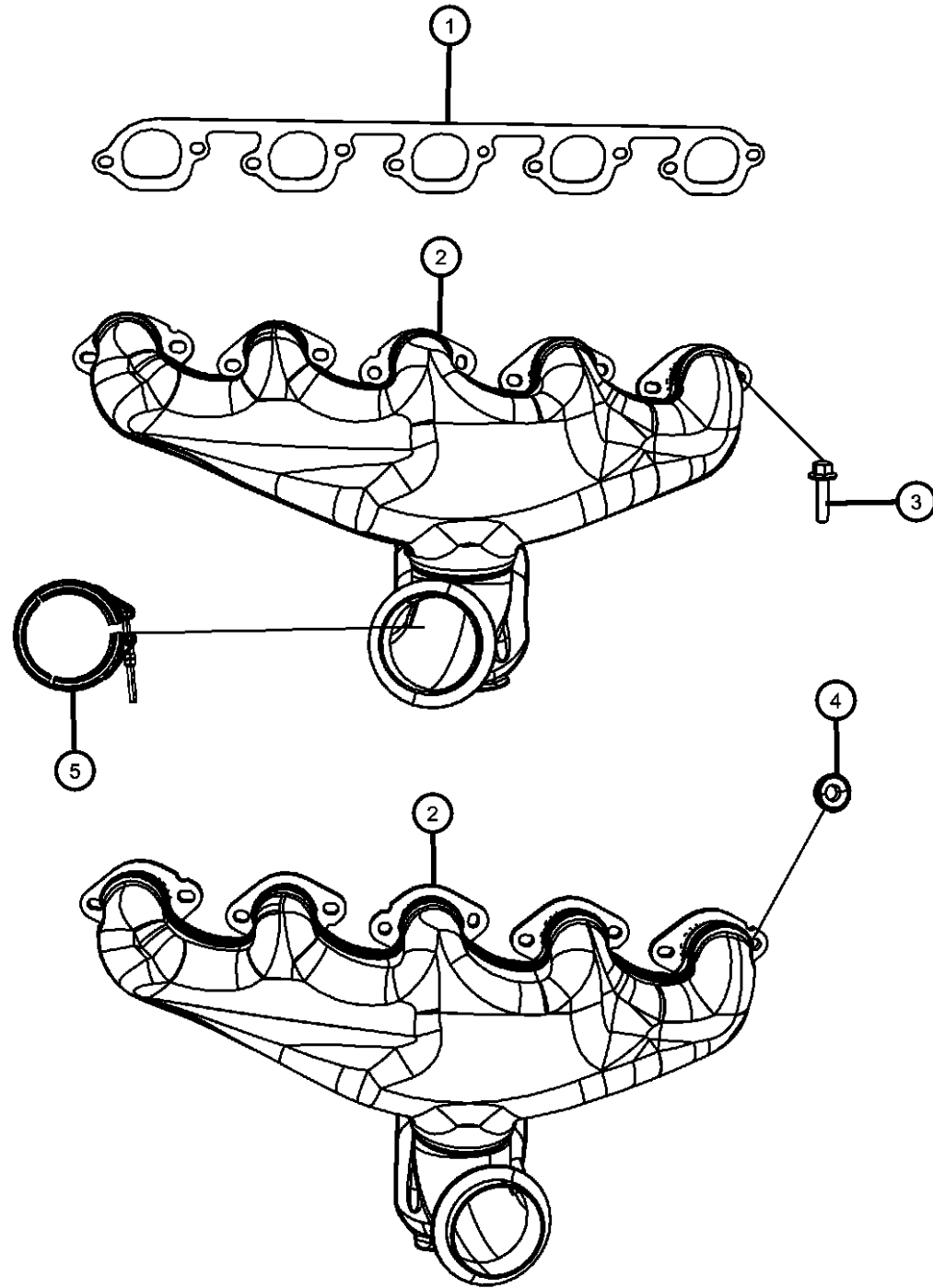
AR = use ase required - = Non illustrated part

2008 ZB



Exhaust Manifolds 8.4L [EWE]  
Figure 009EWE-1005

ITEM	PART NUMBER	QTY	LINE	SERIES	BODY	ENGINE	TRANS	TRIM	DESCRIPTION
------	-------------	-----	------	--------	------	--------	-------	------	-------------



NOTE:

Sales Codes:

- [DEC] = 6-Speed Manual Transmission
- [DE0] = All 6-Speed Manual Transmissions
- [EWE] = 8.4L V-10 SFI Engine
- [NAA] = Federal Emissions
- [NAE] = California Emissions
- [NAM] = Mexico Emissions
- [NAS] = 50 State Emissions
- [NA1] = Export Emissions

1	05037703AA	2	D			EWE			GASKET, Exhaust ManifoldRight And Left
2	05037705AB	1	D			EWE			MANIFOLD, Exhaust Left
	05037704AB	1	D			EWE			Right
3	06508687AA	20	D			EWE			BOLT, Hex Flange Head Locking, M8x1.25x30.00, Exhaust Manifold To Cylinder Head, Mounting
4	06034595	20	D			EWE			WASHER, Conical, ID=.340 OD=.750 Thickness=.180, Exhaust Manifold To Cylinder Head, Mounting
5	05290111AB	2	D						CLAMP, Exhaust Manifold, [101.1.MM], Exhaust Manifold To Front Pipe, Mounting

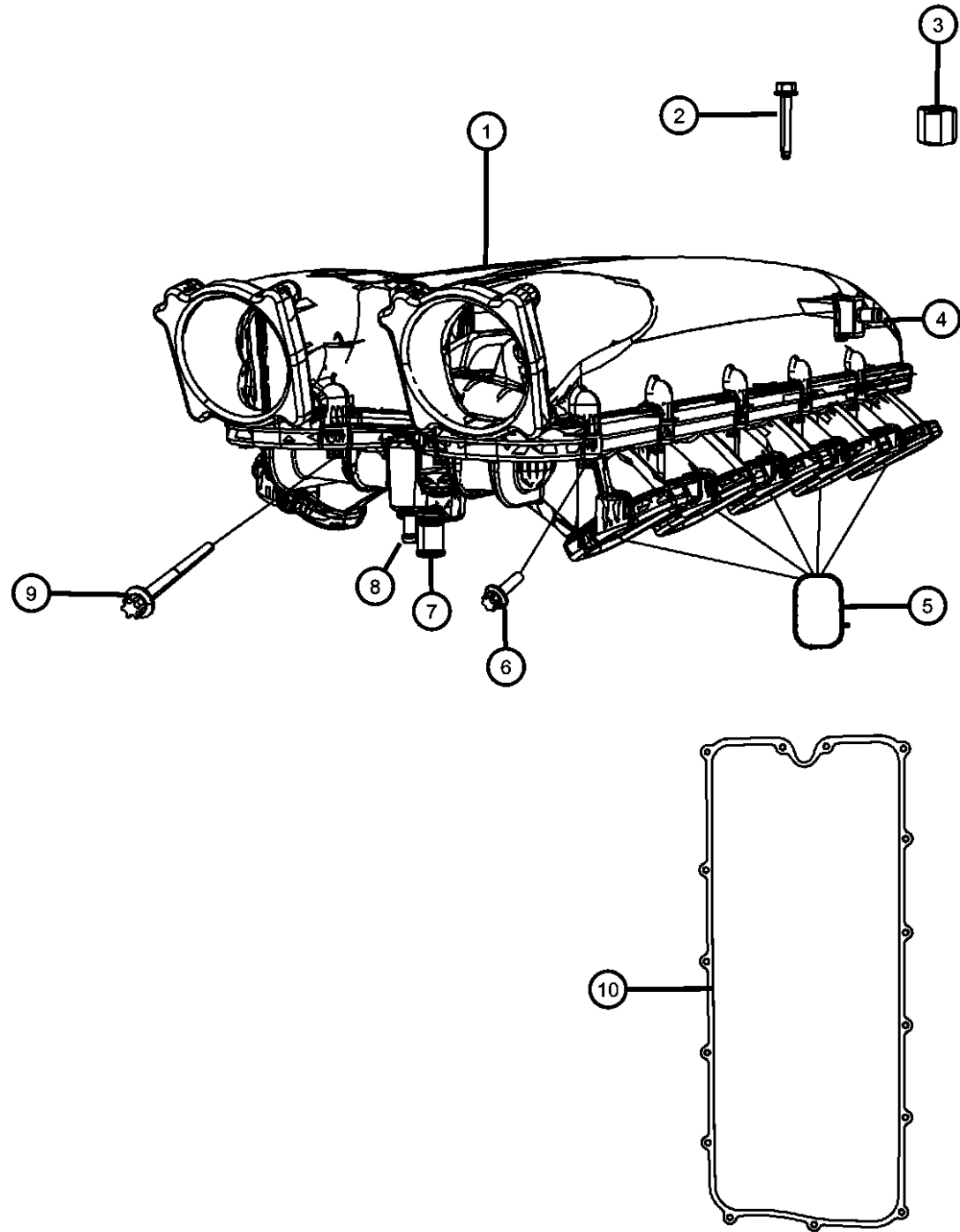
VIPER (ZB)

SERIES	LINE	BODY	ENGINE	TRANSMISSION
S = SPORT	D = DODGE	29 = SPECIALTY COUPE	EWE = 8.4L V10 SFI Engine	DEC = 6-Speed Manual Transmission
X = SPECIAL		27 = 2-DR CONVERTIBLE		

AR = use ase required - = Non illustrated part

2008 ZB

**Intake Manifold 8.4L [EWE]  
Figure 009EWE-1025**



ITEM	PART NUMBER	QTY	LINE	SERIES	BODY	ENGINE	TRANS	TRIM	DESCRIPTION
------	-------------	-----	------	--------	------	--------	-------	------	-------------

NOTE:  
Sales Codes:  
[DEC] = 6-Speed Manual Transmission  
[DE0] = All 6-Speed Manual Transmissions  
[EWE] = 8.4L V-10 SFI Engine  
[NAA] = Federal Emissions  
[NAE] = California Emissions  
[NAM] = Mexico Emissions  
[NAS] = 50 State Emissions  
[NA1] = Export Emissions

1	05037784AC	1	D			EWE			MANIFOLD, Intake
2	06105041AA	20	D			EWE			BOLT, Hex Flange Head, M6X1.00X40.00, Intake Manifold To Cylinder Head, Mounting
3	06508675AA	20	D			EWE			NUT, [M6], Intake Manifold To Cylinder Head, Mounting
4	06508675AA	20							NIPPLE, Intake Manifold, Serviced In Item 1 Intake Manifold Assembly, (NOT SERVICED)
5	05038094AA	10	D			EWE			SEAL, Intake Manifold
6	06104683AA	15	D			EWE			BOLT, 6 Lobe External Head, M6x1.0x23.0, Upper Intake Plenum To Lower Intake Manifold, Mounting
7	04387304	1	D			EWE			NIPPLE, Crankcase Vent
8	04387304	1							NIPPLE, Intake Manifold, Serviced In Item 1 Intake Manifold Assembly, (NOT SERVICED)
9	06104691AA	3	D			EWE			BOLT, 6 Lobe External Head, M6x1.0x83.0, Upper Intake Plenum To Lower Intake Manifold, Mounting
10	05037927AA	1	D			EWE			GASKET, Intake Plenum

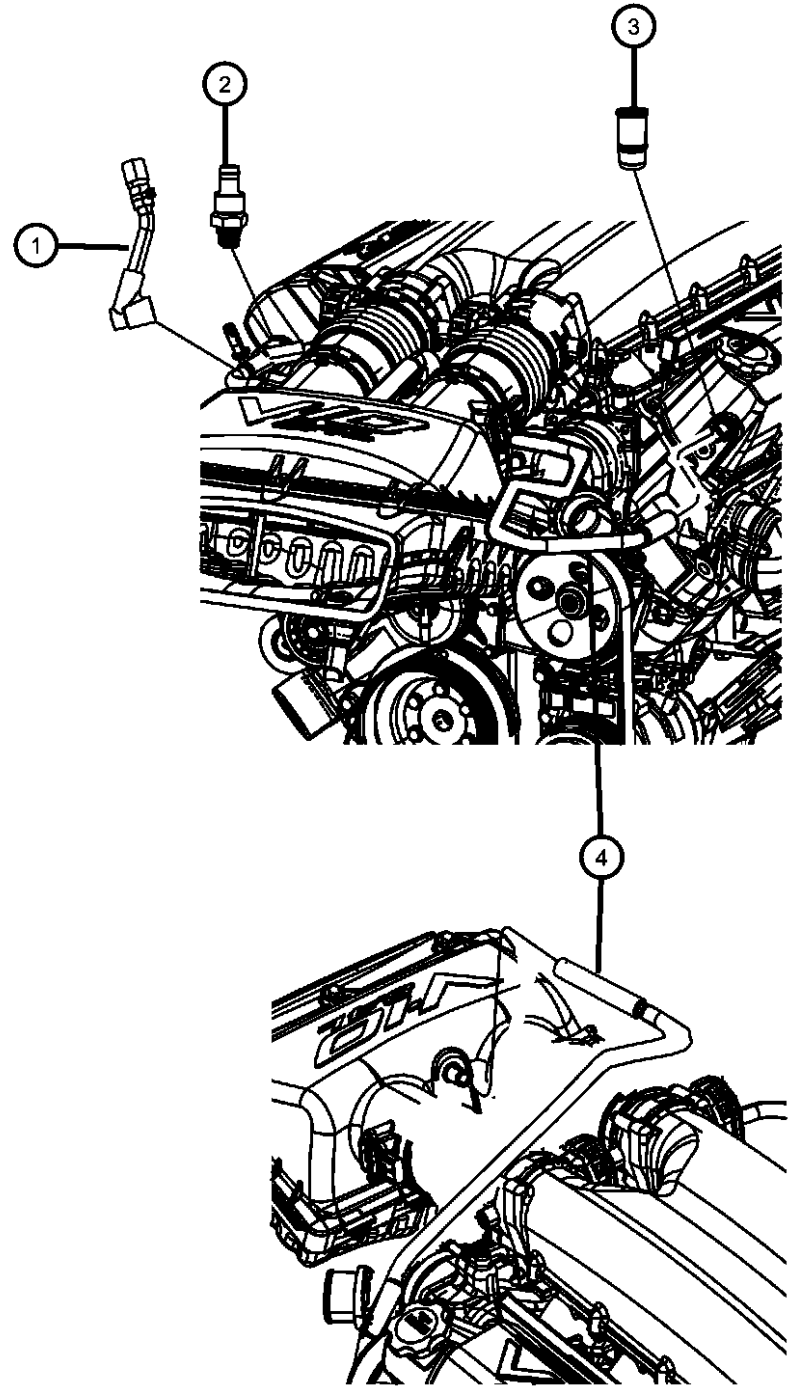
**VIPER (ZB)**

SERIES	LINE	BODY	ENGINE	TRANSMISSION
S = SPORT	D = DODGE	29 = SPECIALTY COUPE	EWE = 8.4L V10 SFI Engine	DEC = 6-Speed Manual Transmission
X = SPECIAL		27 = 2-DR CONVERTIBLE		

AR = use ase required - = Non illustrated part

2008 ZB

**Crankcase Ventilation 8.4L [EWE]  
Figure 009EWE-1105**



ITEM	PART NUMBER	QTY	LINE	SERIES	BODY	ENGINE	TRANS	TRIM	DESCRIPTION
------	-------------	-----	------	--------	------	--------	-------	------	-------------

NOTE:  
Sales Codes:  
[DEC] = 6-Speed Manual Transmission  
[DE0] = All 6-Speed Manual Transmissions  
[EWE] = 8.4L V-10 SFI Engine  
[NAA] = Federal Emissions  
[NAE] = California Emissions  
[NAM] = Mexico Emissions  
[NAS] = 50 State Emissions  
[NA1] = Export Emissions

1	05037869AB	1	D			EWE			HOSE, PCV
2	05038299AA	1	D			EWE			VALVE, PCV
3	04387304	1	D			EWE			NIPPLE, Crankcase Vent
4	05037866AB	1	D			EWE			HARNES, CCV To Air Cleaner

<b>VIPER (ZB)</b>				
SERIES	LINE	BODY	ENGINE	TRANSMISSION
S = SPORT	D = DODGE	29 = SPECIALTY COUPE	EWE = 8.4L V10 SFI Engine	DEC = 6-Speed Manual Transmission
X = SPECIAL		27 = 2-DR CONVERTIBLE		

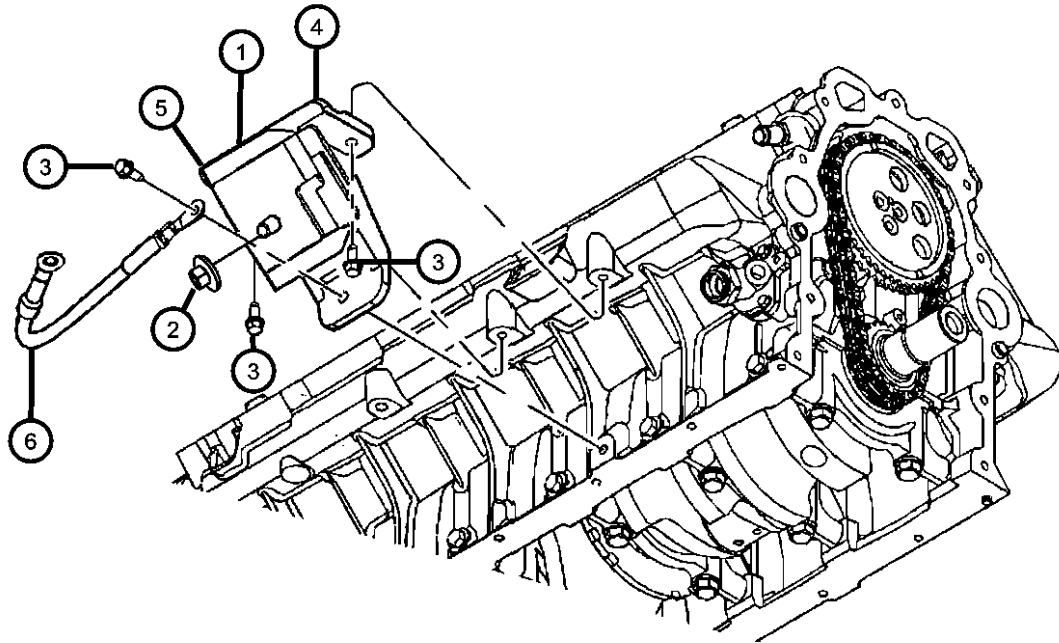
AR = use ase required - = Non illustrated part

**Engine Mounting Right Side RWD/2WD 8.4L [EWE]  
Figure 009EWE-1230**

ITEM	PART NUMBER	QTY	LINE	SERIES	BODY	ENGINE	TRANS	TRIM	DESCRIPTION
------	-------------	-----	------	--------	------	--------	-------	------	-------------

NOTE:  
Sales Codes:  
[DEC] = 6-Speed Manual Transmission  
[DE0] = All 6-Speed Manual Transmissions  
[EWE] = 8.4L V-10 SFI Engine  
[NAA] = Federal Emissions  
[NAE] = California Emissions  
[NAM] = Mexico Emissions  
[NAS] = 50 State Emissions  
[NA1] = Export Emissions

1	04643530AB	1	D			EWE			INSULATOR, Engine MountRight
2	06035864	2	D						NUT, Engine Mount To Frame, Mounting
3	06101848	6	D			EWE			BOLT AND WASHER, Hex Head, M10x1.50x30.00, Engine Mount To Cylinder Block, Mounting
4	05037298AA	1	D			EWE			BRACKET, Isolator
5	04643546	1	D			EWE			SHIELD, Heat
6	05029027AD	1	D						STRAP, Ground



**VIPER (ZB)**

SERIES	LINE	BODY	ENGINE	TRANSMISSION
S = SPORT	D = DODGE	29 = SPECIALTY COUPE	EWE = 8.4L V10 SFI Engine	DEC = 6-Speed Manual Transmission
X = SPECIAL		27 = 2-DR CONVERTIBLE		

AR = use ase required - = Non illustrated part

2008 ZB

**Engine Mounting Left Side RWD/2WD 8.4L [EWE]  
Figure 009EWE-1240**

ITEM	PART NUMBER	QTY	LINE	SERIES	BODY	ENGINE	TRANS	TRIM	DESCRIPTION
------	-------------	-----	------	--------	------	--------	-------	------	-------------

NOTE:

Sales Codes:

[DEC] = 6-Speed Manual Transmission

[DE0] = All 6-Speed Manual Transmissions

[EWE] = 8.4L V-10 SFI Engine

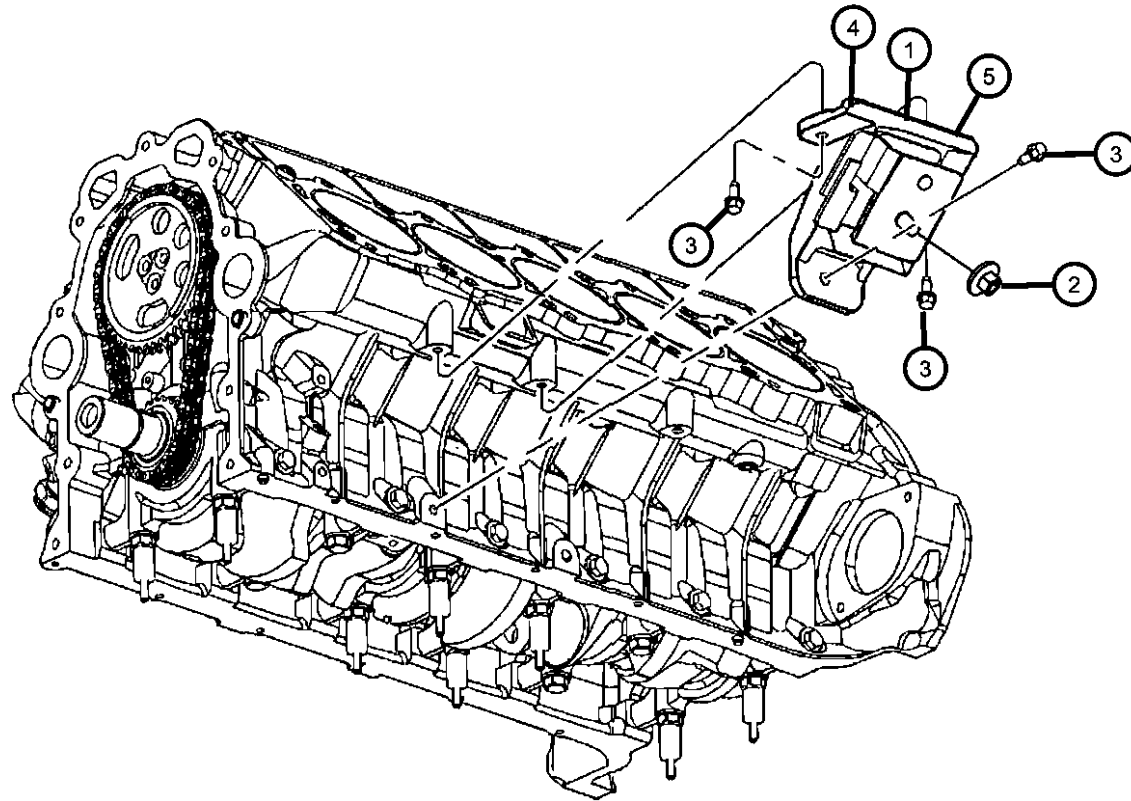
[NAA] = Federal Emissions

[NAE] = California Emissions

[NAM] = Mexico Emissions

[NAS] = 50 State Emissions

[NA1] = Export Emissions



1	04642617AB	1	D			EWE			INSULATOR, Engine MountLeft
2	06035864	2	D						NUT AND WASHER, Hex Lock, .500-13, Engine Mount To Frame, Mounting
3	06101848	6	D			EWE			BOLT AND WASHER, Hex Head, M10x1.50x30.00, Engine Mount To Cylinder Block, Mounting
4	05037298AA	1	D			EWE			BRACKET, Isolator
5	04643546	1	D			EWE			SHIELD, Heat

**VIPER (ZB)**

SERIES

S = SPORT  
X = SPECIAL

LINE

D = DODGE

BODY

29 = SPECIALTY COUPE  
27 = 2-DR CONVERTIBLE

ENGINE

EWE = 8.4L V10 SFI Engine

TRANSMISSION

DEC = 6-Speed Manual Transmission

AR = use ase required - = Non illustrated part

2008 ZB

# Group - 10

## Restraints

### Group - 10 Restraints

Illustration Title

Group-Fig. No.

#### Air Bags

Air Bag Modules, Impact Sensors and Clock Spring .....Fig. 10 - 205

Air Bags Front .....Fig. 10 - 210

Airbag On/Off System.....Fig. 10 - 220

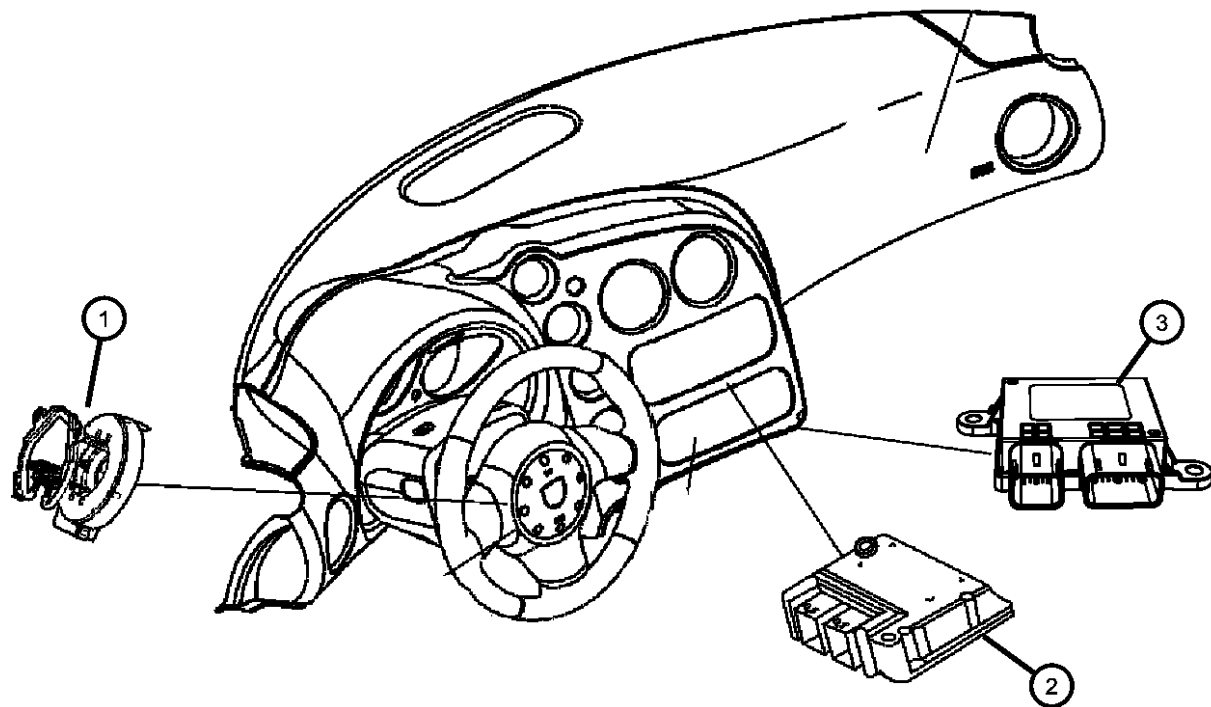
#### Seat Belts

Seat Belts First Row .....Fig. 10 - 305

010-200 Air Bags	010-300 Seat Belts		
---------------------	-----------------------	--	--

**Air Bag Modules, Impact Sensors and Clock Spring**  
**Figure 10-205**

ITEM	PART NUMBER	QTY	LINE	SERIES	BODY	ENGINE	TRANS	TRIM	DESCRIPTION
1	04671789AF	1	D		27, 29				CLOCKSPRING
2	04896069AE	1	D		27, 29				MODULE, Occupant Restraint
3	04896038AC	1	D		27, 29			*CL	MODULE, Occupant Classification



**VIPER (ZB)**

SERIES  
 S = SPORT  
 X = SPECIAL

LINE  
 D = DODGE

BODY  
 29 = SPECIALTY COUPE  
 27 = 2-DR CONVERTIBLE

ENGINE  
 EWE = 8.4L V10 SFI Engine

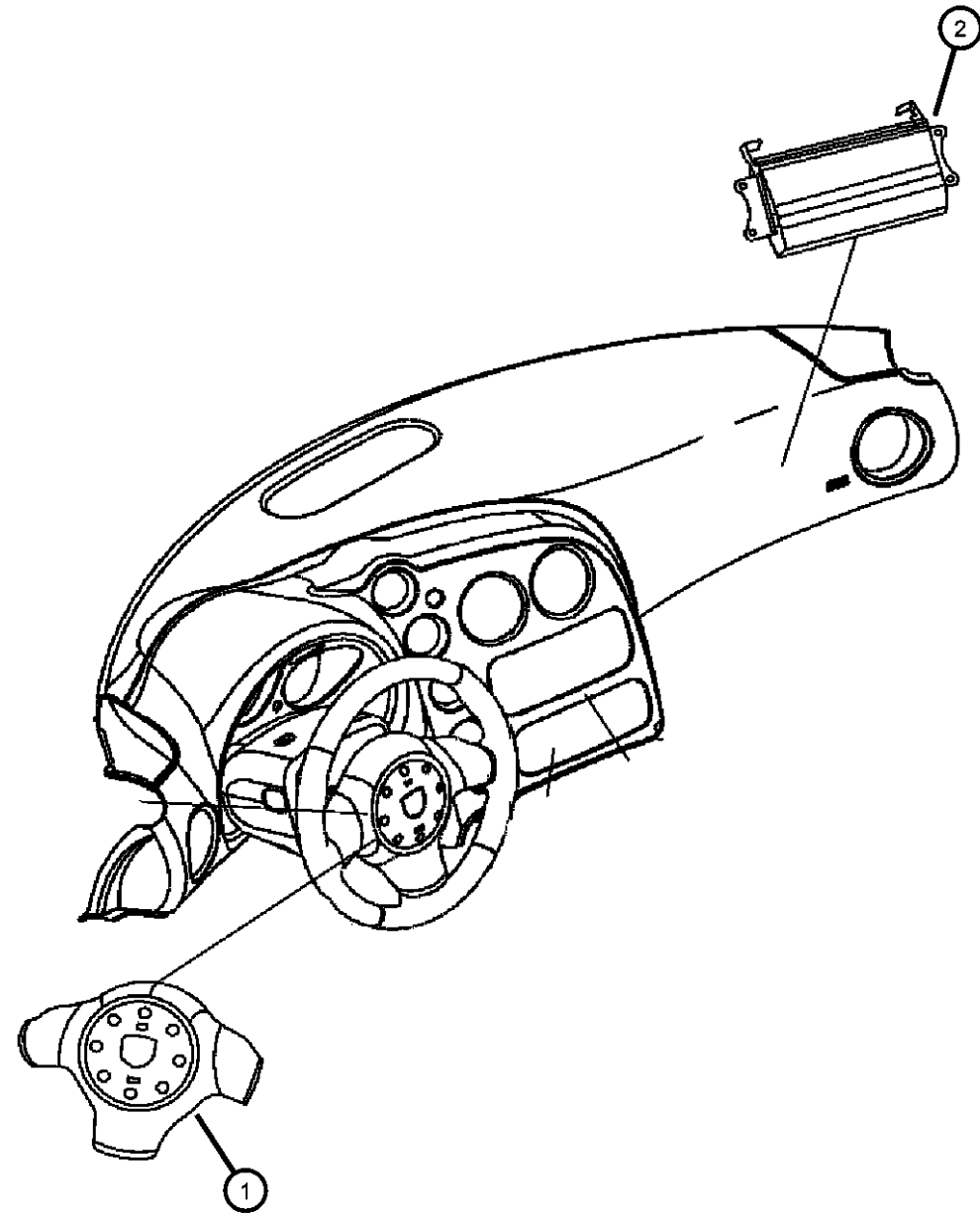
TRANSMISSION  
 DEC = 6-Speed Manual Transmission

AR = use ase required - = Non illustrated part

2008 ZB

**Air Bags Front**  
**Figure 10-210**

ITEM	PART NUMBER	QTY	LINE	SERIES	BODY	ENGINE	TRANS	TRIM	DESCRIPTION
1	1CZ83DX9AD	1	D		27, 29			*O0	AIR BAG, Driver With [CG1]
		1	D		27, 29			*O0	With [CG3]
2	05030373AC	1	D		27, 29			*O0	AIR BAG, Passenger



**VIPER (ZB)**

SERIES  
 S = SPORT  
 X = SPECIAL

LINE  
 D = DODGE

BODY  
 29 = SPECIALTY COUPE  
 27 = 2-DR CONVERTIBLE

ENGINE  
 EWE = 8.4L V10 SFI Engine

TRANSMISSION  
 DEC = 6-Speed Manual Transmission

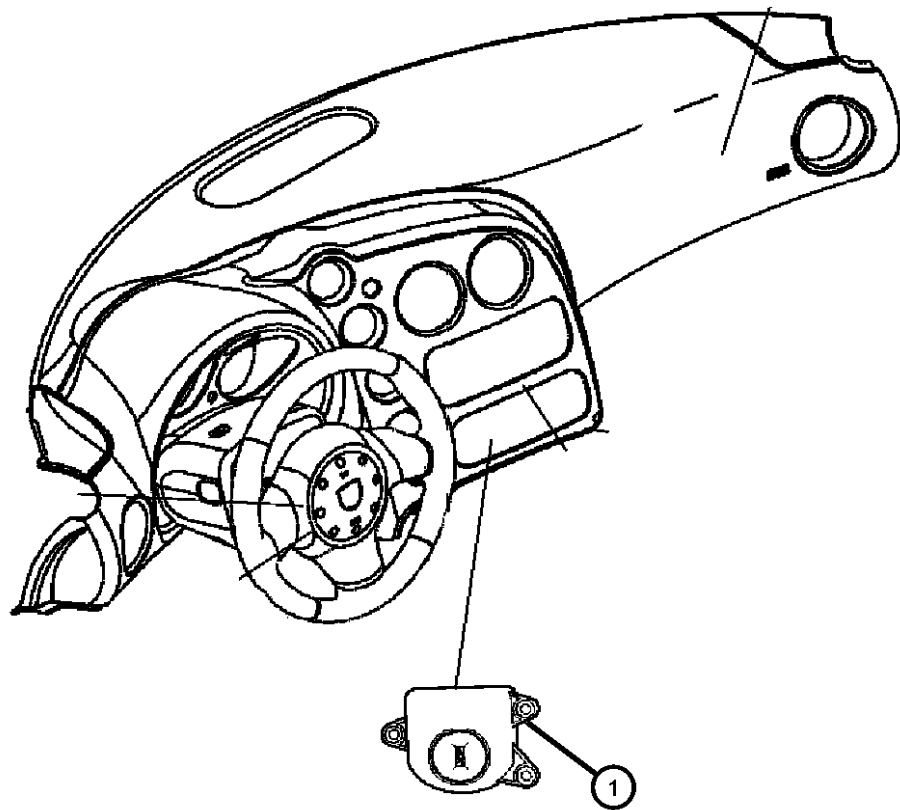
AR = use ase required - = Non illustrated part

2008 ZB



**Airbag On/Off System  
Figure 10-220**

ITEM	PART NUMBER	QTY	LINE	SERIES	BODY	ENGINE	TRANS	TRIM	DESCRIPTION
1	04865875AA	1	D		27, 29			*O0	SWITCH, Passenger Airbag Disarm

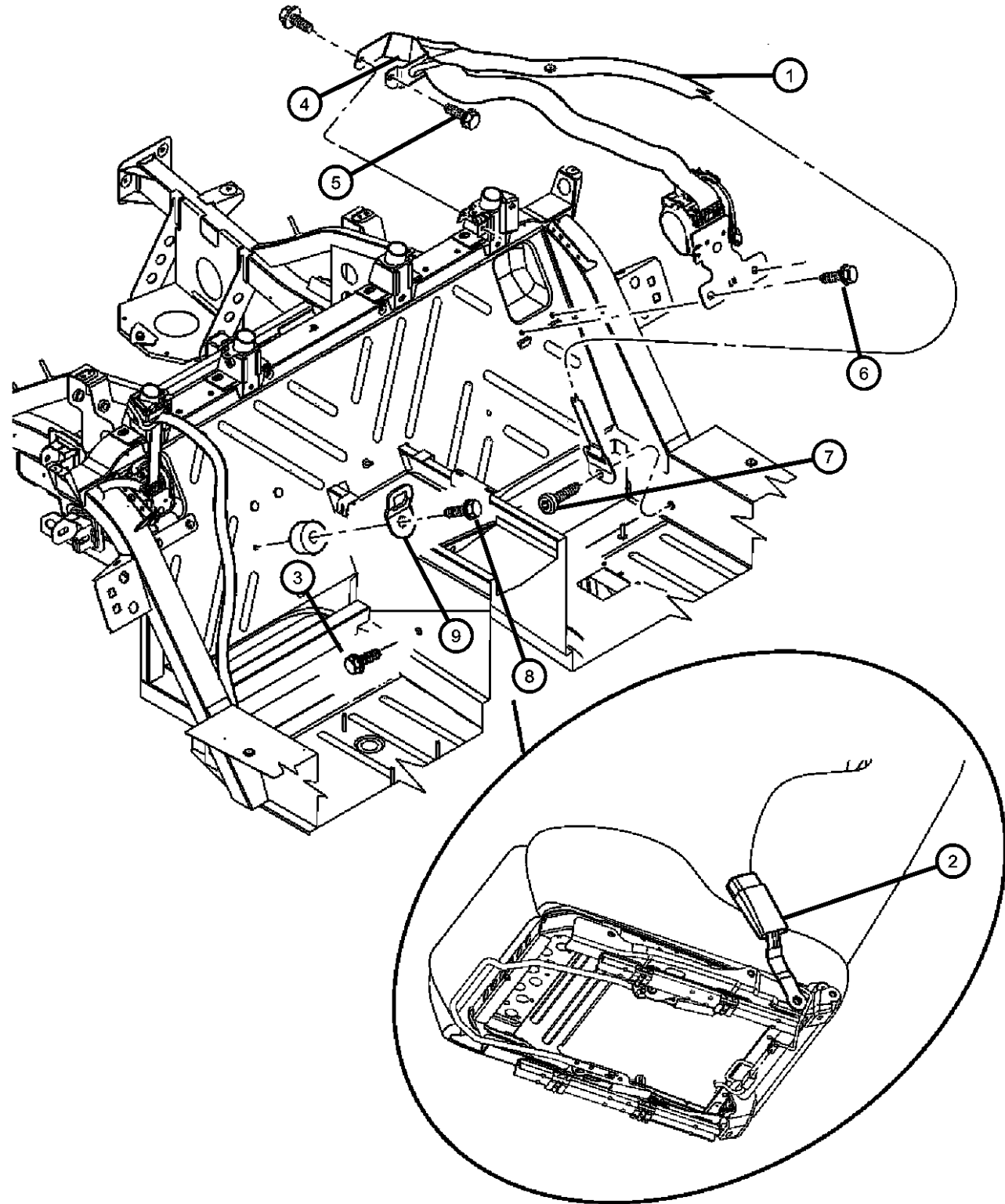


**VIPER (ZB)**

SERIES	LINE	BODY	ENGINE	TRANSMISSION
S = SPORT	D = DODGE	29 = SPECIALTY COUPE	EWE = 8.4L V10 SFI Engine	DEC = 6-Speed Manual Transmission
X = SPECIAL		27 = 2-DR CONVERTIBLE		

AR = use ase required - = Non illustrated part

Seat Belts First Row  
Figure 10-305



ITEM	PART NUMBER	QTY	LINE	SERIES	BODY	ENGINE	TRANS	TRIM	DESCRIPTION
1									SEAT BELT, Front
	0UB651X9AF	1	D		27, 29			*O0	Without [CGK], Left
	1BD961X9AA	1	D		27, 29			*O0	Without [CGK], Right
	1BW601X9AA	1	D		27, 29			*O0	With [CGK], Right
	1BW611X9AA	1	D		27, 29			*O0	With [CGK], Left
2									SEAT BELT, Buckle Half
	0TQ881X9AC	1	D		27, 29			*CL	[X5]
		1	D		27, 29			*CL	[X9]
		1	D		27, 29			*CL	[XB]
		1	D		27, 29			*CL	[XR]
		1	D		27, 29			*CL	[XU]
3	06036547AA	2	D		27, 29				SCREW
4									TURNING LOOP, Seat Belt
	05029126AC	1	D		27, 29				Right
	05029127AC	1	D		27, 29				Left
5	06100583	4	D		27, 29				SCREW AND WASHER, Hex Head, M8x1.25x25
6	06503571	4	D		27, 29				SCREW AND WASHER, M10x1.50x35
7	06036512AA	2	D		27, 29				SCREW, Pan Head, .437-20x1.375
8	06100583	4	D		27, 29				SCREW AND WASHER, Hex Head, M8x1.25x25
9	05029290AA	1	D		27, 29				PLATE, Child Tether Anchor

VIPER (ZB)

SERIES	LINE	BODY	ENGINE	TRANSMISSION
S = SPORT	D = DODGE	29 = SPECIALTY COUPE	EWE = 8.4L V10 SFI Engine	DEC = 6-Speed Manual Transmission
X = SPECIAL		27 = 2-DR CONVERTIBLE		

AR = use ase required - = Non illustrated part

# Group - 11

## Exhaust

### Group - 11 Exhaust

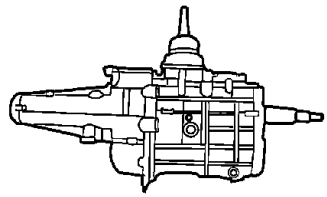
Illustration Title

Group-Fig. No.

#### Exhaust System

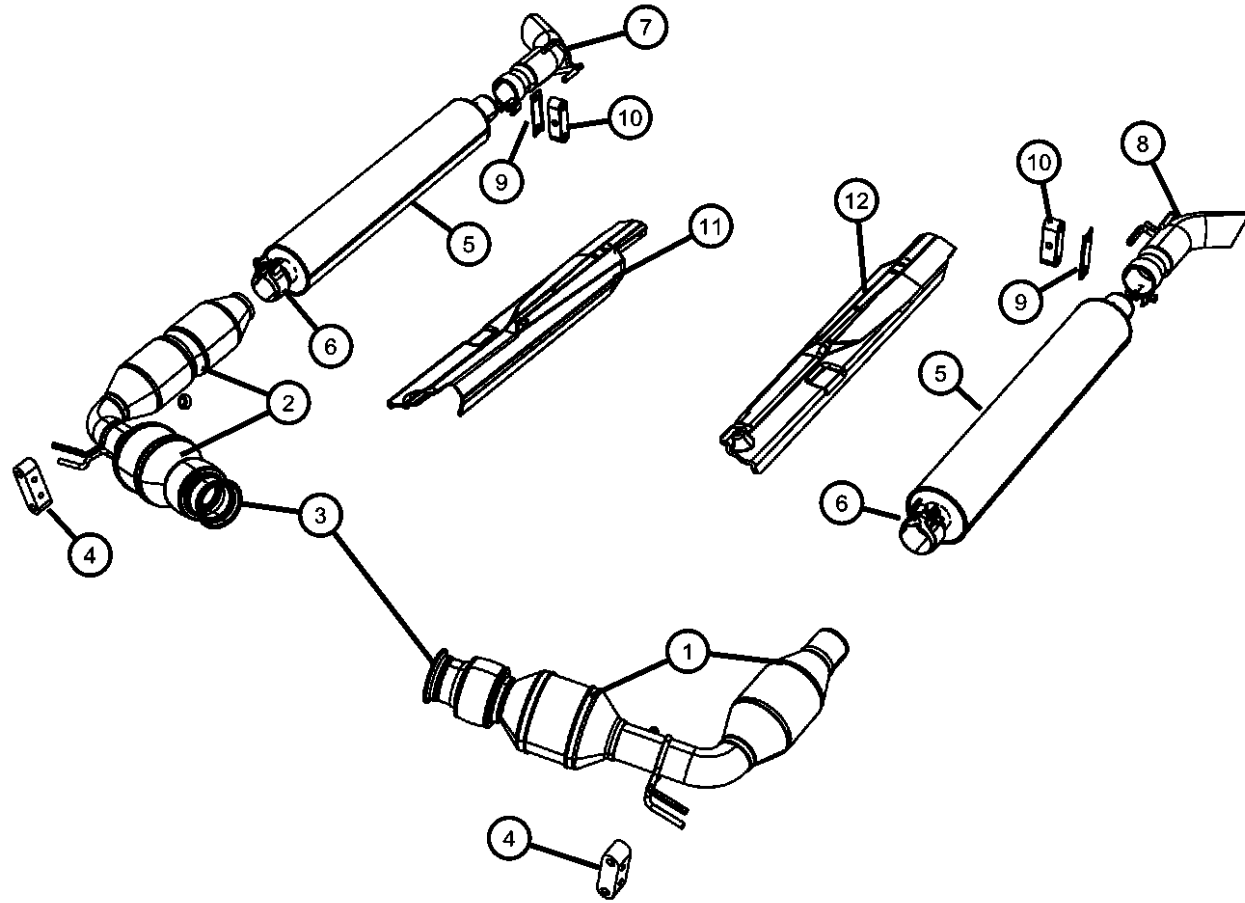
Exhaust System ..... Fig. 11 - 105

**011-100**  
Exhaust System



**Exhaust System  
Figure 11-105**

ITEM	PART NUMBER	QTY	LINE	SERIES	BODY	ENGINE	TRANS	TRIM	DESCRIPTION
Note; Sales Codes; [EWE] = 8.4L V-10 SFI									
1	05264999AF	1	D		27, 29				CONVERTER, Catalytic
2	05264998AG	1	D		27, 29				CONVERTER, Catalytic
3	05290111AB	2	D		27, 29				CLAMP, Exhaust Manifold
4	05290265AA	2	D		27, 29				ISOLATOR, Exhaust
5	05290387AE	2	D		27, 29				RESONATOR, Exhaust
6	52110201AA	2	D		27, 29				CLAMP, Exhaust
7	05290178AJ	1	D		27, 29				SPOUT, ExhaustRight
8	05290179AJ	1	D		27, 29				SPOUT, ExhaustLeft
9	05290154AB	4	D		27, 29				SUPPORT, Exhaust Isolator
10	04763667AD	2	D		27, 29				ISOLATOR, Exhaust
11	05290160AD	1	D		27, 29				SHIELD, HeatRight
12	05290161AD	1	D		27, 29				SHIELD, HeatLeft



**VIPER (ZB)**

SERIES	LINE	BODY	ENGINE	TRANSMISSION
S = SPORT	D = DODGE	29 = SPECIALTY COUPE	EWE = 8.4L V10 SFI Engine	DEC = 6-Speed Manual Transmission
X = SPECIAL		27 = 2-DR CONVERTIBLE		

AR = use ase required - = Non illustrated part

# Group - 13

## Frame, Bumper, and Fascia

### Group - 13 Frame, Bumper, and Fascia

Illustration Title

Group-Fig. No.

#### Frames

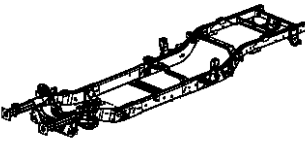
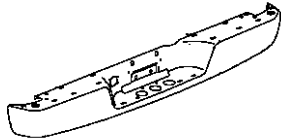
Frame, Complete.....Fig. 13 - 105

#### Front Bumper and Fascia

Fascia, Front.....Fig. 13 - 205

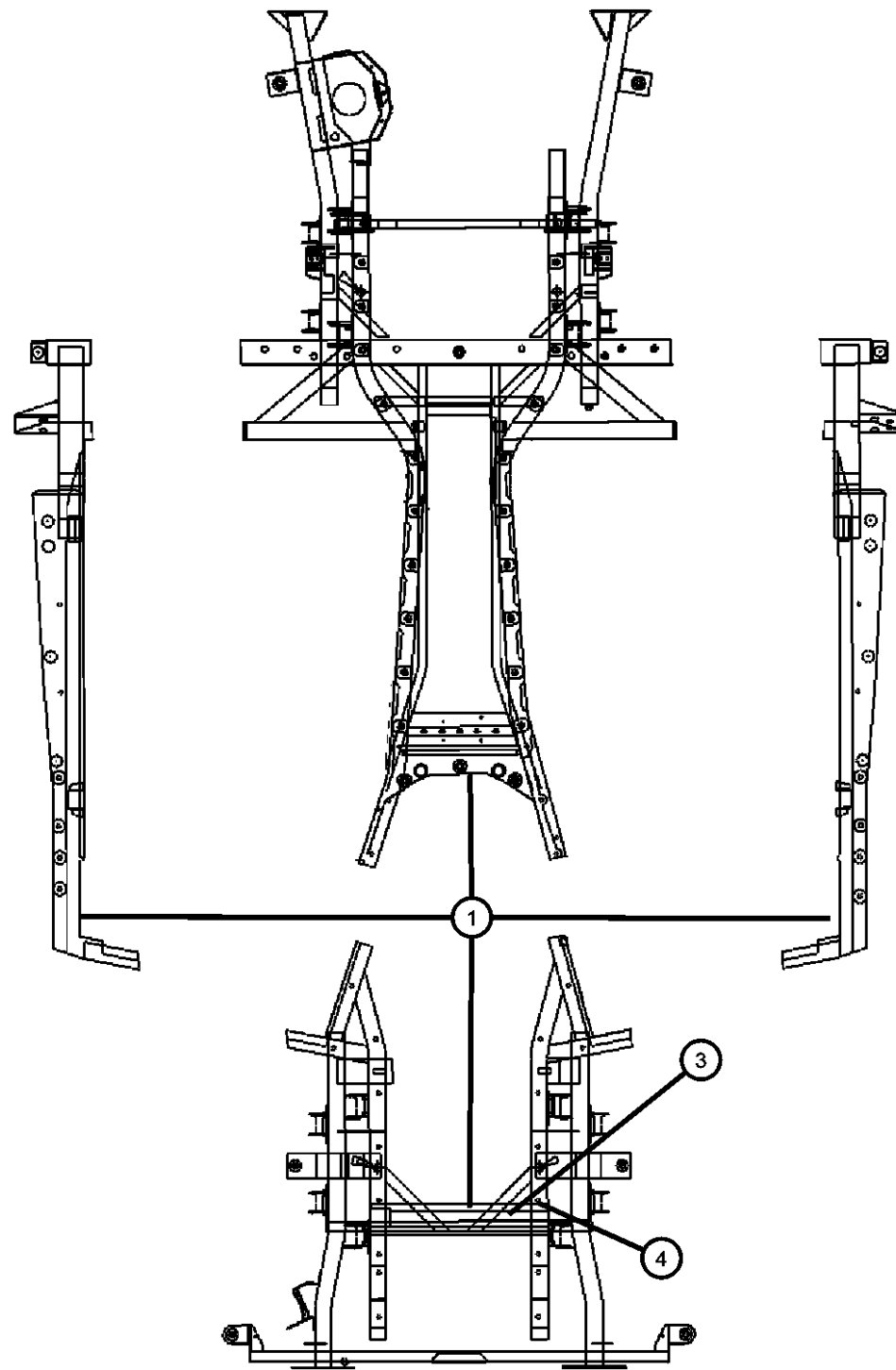
#### Rear Bumper and Fascia

Fascia, Rear.....Fig. 13 - 305

<p><b>013-100</b> Frames</p> 	<p><b>013-200</b> Front Bumper and Fascia</p>	<p><b>013-300</b> Rear Bumper and Fascia</p> 	
---	---	---	--

Frame, Complete  
Figure 13-105

ITEM	PART NUMBER	QTY	LINE	SERIES	BODY	ENGINE	TRANS	TRIM	DESCRIPTION
1	68034699AB	1	D		27, 29				FRAME, Chassis, Complete
-2	05290047AA	12	D		27, 29				SPACER, Crossmember
3	05290045AD	1	D		27, 29				CROSSMEMBER, Front Frame
4	06503571	4	D		27, 29				SCREW AND WASHER, M10x1.50x35, Crossmember to Frame



VIPER (ZB)

SERIES  
S = SPORT  
X = SPECIAL

LINE  
D = DODGE

BODY  
29 = SPECIALTY COUPE  
27 = 2-DR CONVERTIBLE

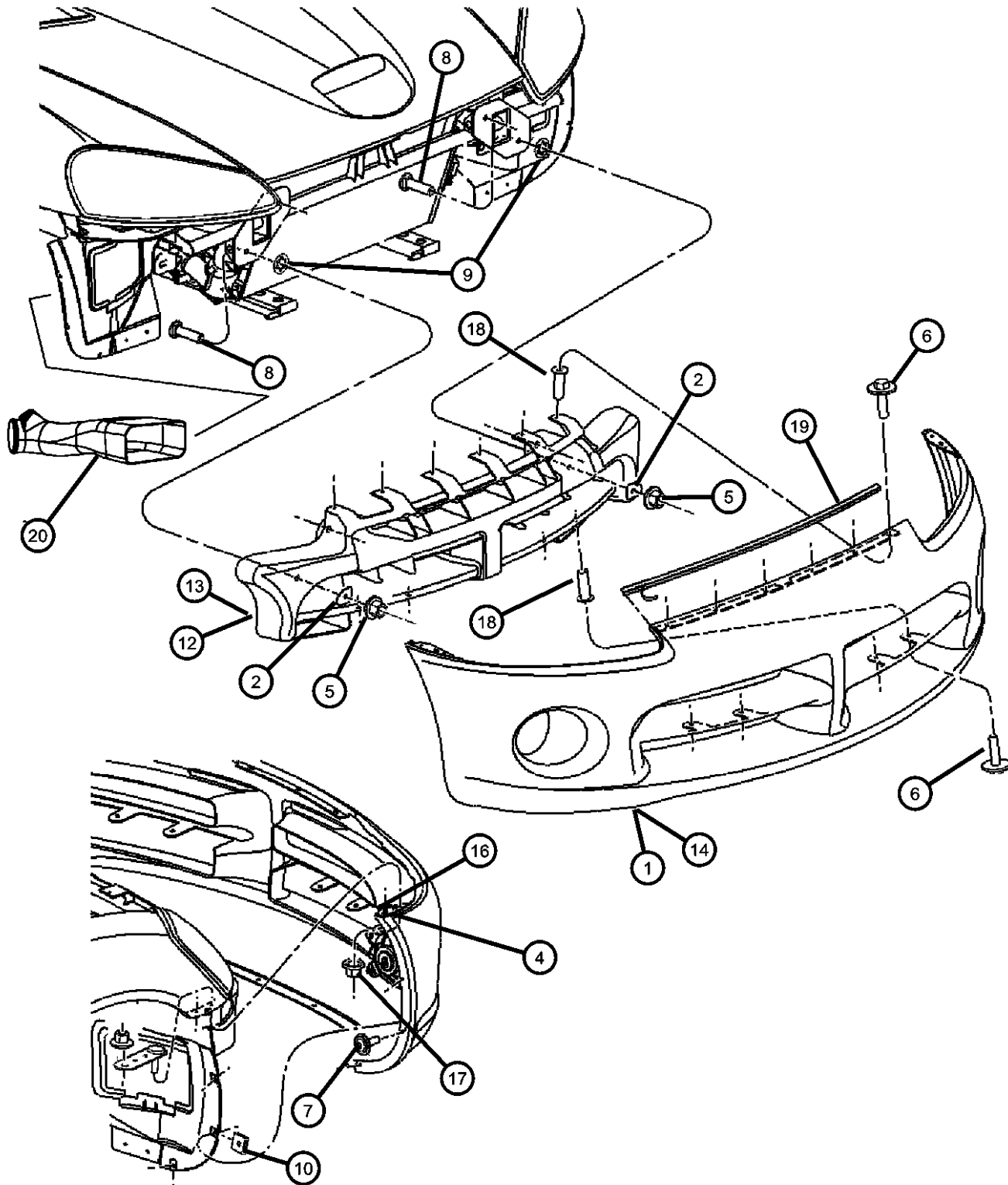
ENGINE  
EWE = 8.4L V10 SFI Engine

TRANSMISSION  
DEC = 6-Speed Manual Transmission

AR = use ase required - = Non illustrated part

2008 ZB

Fascia, Front  
Figure 13-205



ITEM	PART NUMBER	QTY	LINE	SERIES	BODY	ENGINE	TRANS	TRIM	DESCRIPTION
1	05029154AB	1	D		27, 29				FASCIA, Front, Primed
2	05029208AA	4	D		27, 29				REINFORCEMENT, Front Bumper
-3	05029222AA	1	D		27, 29				FRAME, License Plate
4	06100840	2	D		27, 29				NUT, Spring
5	06101448	4	D		27, 29				NUT AND WASHER, Hex Nut-Coned Washer, M10 x 1.5
6	06507167AA	4	D		27, 29				SCREW
7	06035625	6	D		27, 29				SCREW
8	06035625	6							BOLT, M10x1.50x35, (NOT SERVICED)
9	06100842	4	D		27, 29				NUT, Push On
10	06504118	6	D		27, 29				U-NUT, M6 x 1.00, M6x1.00
-11	06034866	5	D		27, 29				SCREW, Tapping Hex Flange Head, .250-14X.750, Front License Plate Bracket
12	04865643AB	1	D		27, 29				BUMPER, Fascia, Front
13	05174334AA	1	D		27, 29				BUMPER PACKAGE, FASCIA, FRONT, EXPORT
14	05170037AA	1	D		27, 29				FASCIA PACKAGE, Front, Primed, EXPORT
-15	06023925	2	D		27, 29				NUT, Plastic Snap-in
16	05029137AA	2	D		27, 29				PLATE, Fender Attach
17	34201358	4	D		27, 29				NUT AND WASHER, Hex Nut-Sealing Washer, M6 x 1.00
18	06507483AA	10	D		27, 29				NUT/RIVET
19	05029234AB	1	D		27, 29				SEAL, Fascia
20									DUCT, AIR
	05264983AA	1	D		27, 29				Left
	05264984AA	1	D		27, 29				Right

VIPER (ZB)

SERIES  
S = SPORT  
X = SPECIAL

LINE  
D = DODGE

BODY  
29 = SPECIALTY COUPE  
27 = 2-DR CONVERTIBLE

ENGINE  
EWE = 8.4L V10 SFI Engine

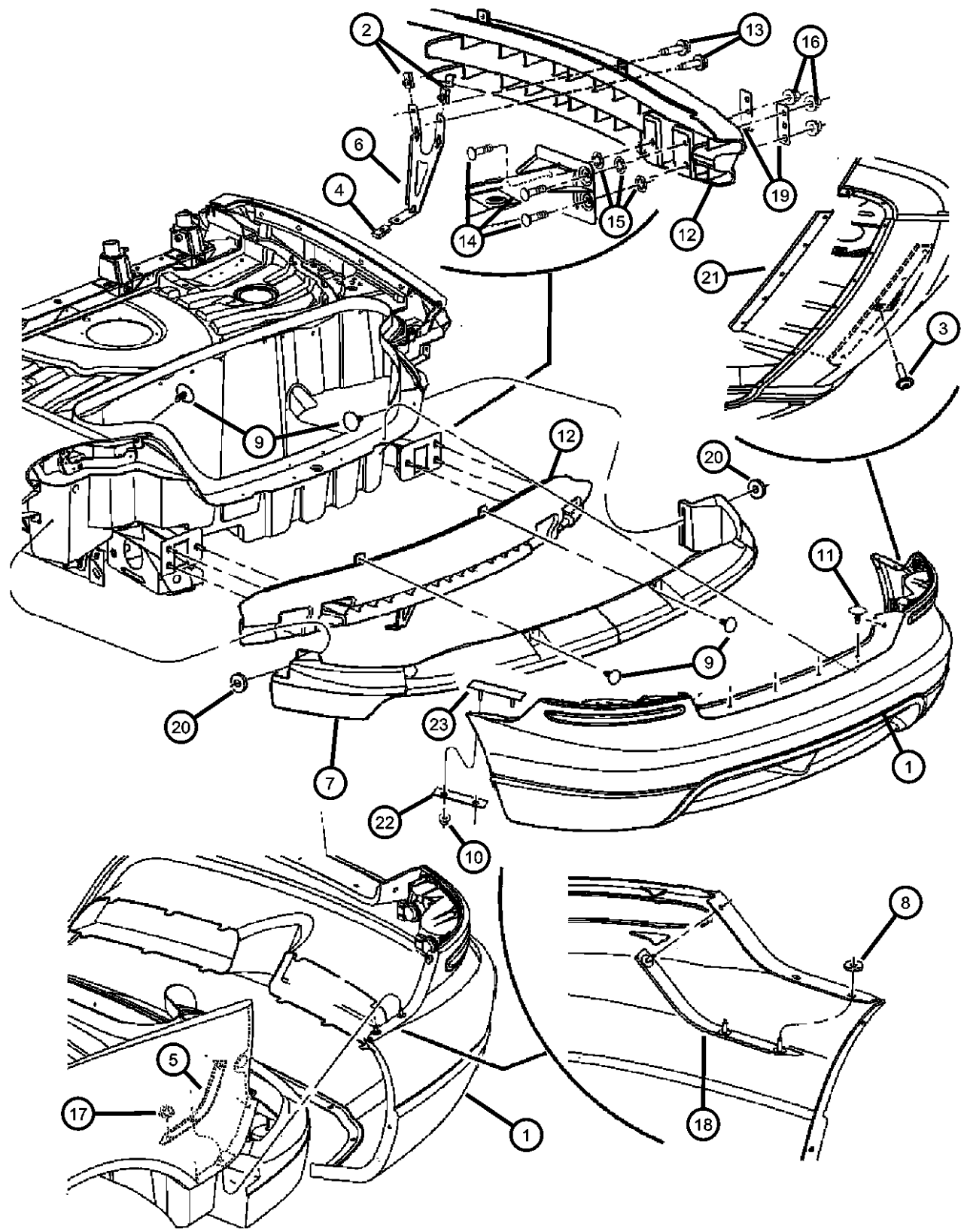
TRANSMISSION  
DEC = 6-Speed Manual Transmission

AR = use ase required - = Non illustrated part

2008 ZB

<< RETURN TO GROUP INDEX

Fascia, Rear  
Figure 13-305



ITEM	PART NUMBER	QTY	LINE	SERIES	BODY	ENGINE	TRANS	TRIM	DESCRIPTION
1	05029155AD	1	D		27				FASCIA, Rear, Primed
2	06101442	2	D		27, 29				U-NUT, M6 x 1.00, M6x1.00
3	06035625	1	D		27, 29				SCREW
4	00152493	1	D		27, 29				NUT
5									RETAINER, Fascia
	05029200AB	1	D		27, 29				Right
	05029201AB	1	D		27, 29				Left
6	05029568AA	1	D		27, 29				BRACKET, FasciaCenter
7									FOAM, Rear Bumper Fascia
	05029164AA	1	D		27				Right
	05029165AA	1	D		27				Left
	05030318AB	1	D		29				Right
	05030319AB	1	D		29				Left
8	06100840	4	D		27, 29				NUT, Spring
9	06507326AA	4	D		27, 29				PIN, Push
10	06101444	4	D		27, 29				NUT AND WASHER, Hex, M6x1.0
11									PIN, Push, M6.3x20.5
	06501067	6	D		27				
		4	D		29				
12	04865654AC	1	D		27, 29				BUMPER, Fascia, Rear, Reinforcement
13	06100558	2	D		27, 29				BOLT AND CONED WASHER, Hex Head, M6x25x14
14	06100558	2							BOLT, Square Neck, M10x1.50, X35.00, (NOT SERVICED)
15	06100842	4	D		27, 29				NUT, Push On
16	06101448	4	D		27, 29				NUT AND WASHER, Hex Nut-Coned Washer, M10 x 1.5
17	34201358	4	D		27, 29				NUT AND WASHER, Hex Nut-Sealing Washer, M6 x 1.00
18									RETAINER, Fascia
	04865914AC	1	D		27				Right
	04865915AC	1	D		27				Left
19	05029209AA	4	D		27, 29				PLATE, Reinforcement
20	06100877	2	D		27, 29				WASHER, Flat, M6
21	05290246AB	1	D		27, 29				PLATE, Fascia
22									RETAINER, Fascia
	05030611AA	1	D		29				Left

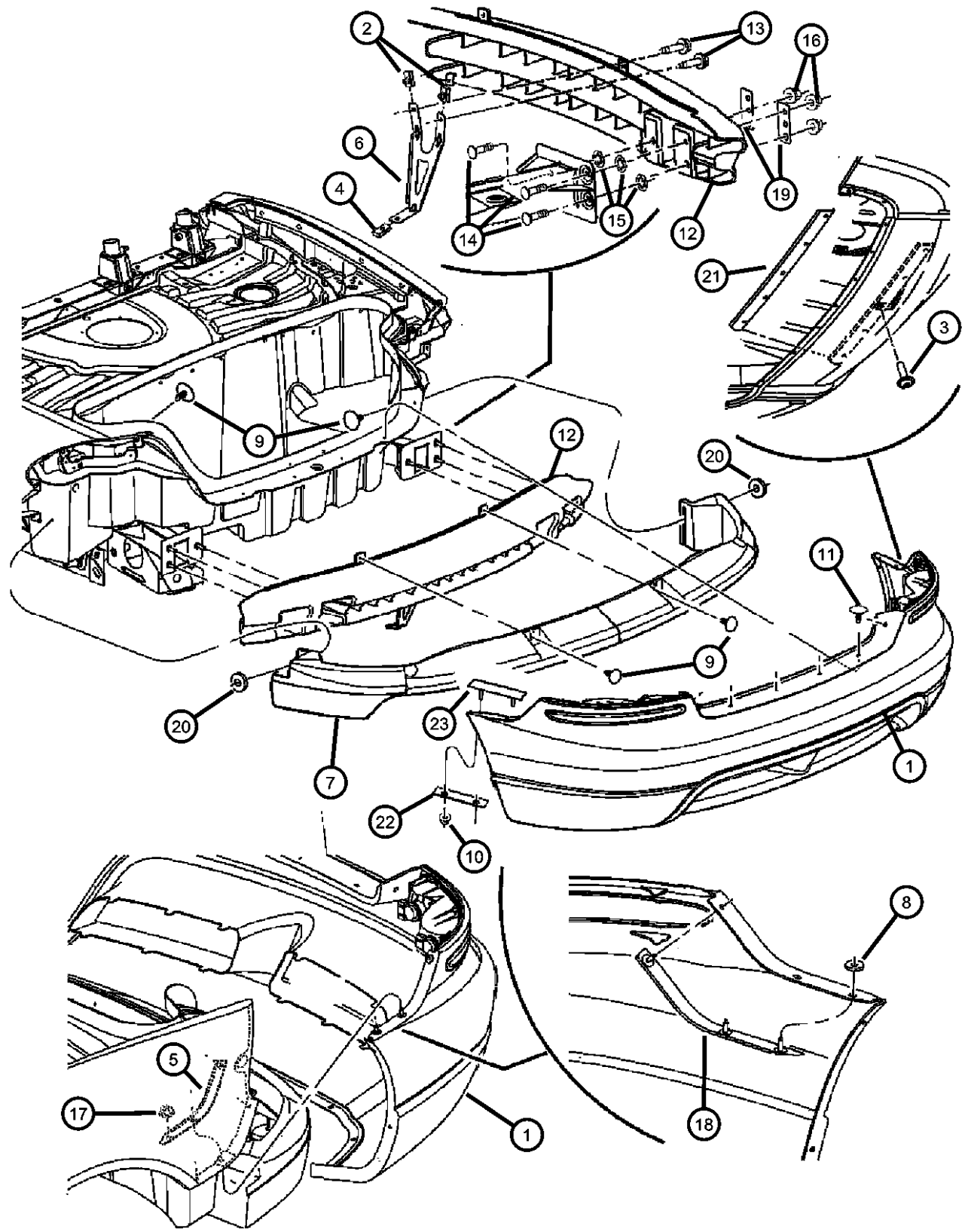
VIPER (ZB)

SERIES	LINE	BODY	ENGINE	TRANSMISSION
S = SPORT	D = DODGE	29 = SPECIALTY COUPE	EWE = 8.4L V10 SFI Engine	DEC = 6-Speed Manual Transmission
X = SPECIAL		27 = 2-DR CONVERTIBLE		

AR = use ase required - = Non illustrated part



Fascia, Rear  
Figure 13-305



ITEM	PART NUMBER	QTY	LINE	SERIES	BODY	ENGINE	TRANS	TRIM	DESCRIPTION
	05030612AA	1	D		29				Right
23	05030350AB	2	D		29				RETAINER, Fascia

VIPER (ZB)

SERIES  
S = SPORT  
X = SPECIAL

LINE  
D = DODGE

BODY  
29 = SPECIALTY COUPE  
27 = 2-DR CONVERTIBLE

ENGINE  
EWE = 8.4L V10 SFI Engine

TRANSMISSION  
DEC = 6-Speed Manual Transmission

AR = use ase required - = Non illustrated part

2008 ZB

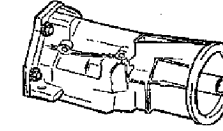
# Group - 14

## Fuel

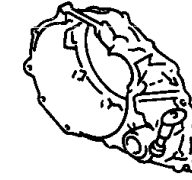
**014-100**  
Fuel Tank



**014-1000**  
Accelerator Pedal



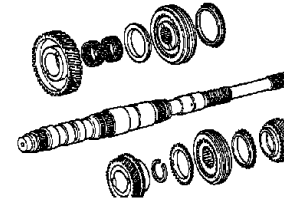
**014-200**  
Fuel Tank Filler Tube



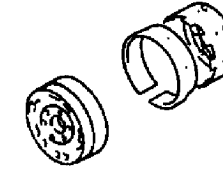
**014-300**  
Fuel Lines



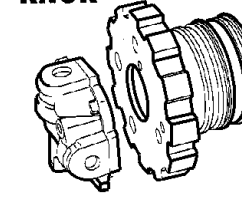
**014-400**  
Fuel Rail and Injectors



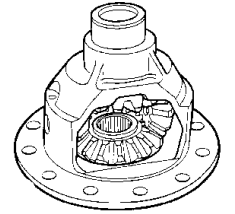
**014-500**  
Fuel Pump and Sending Unit



**014-600**  
Throttle Body



**014-800**  
Air Cleaner

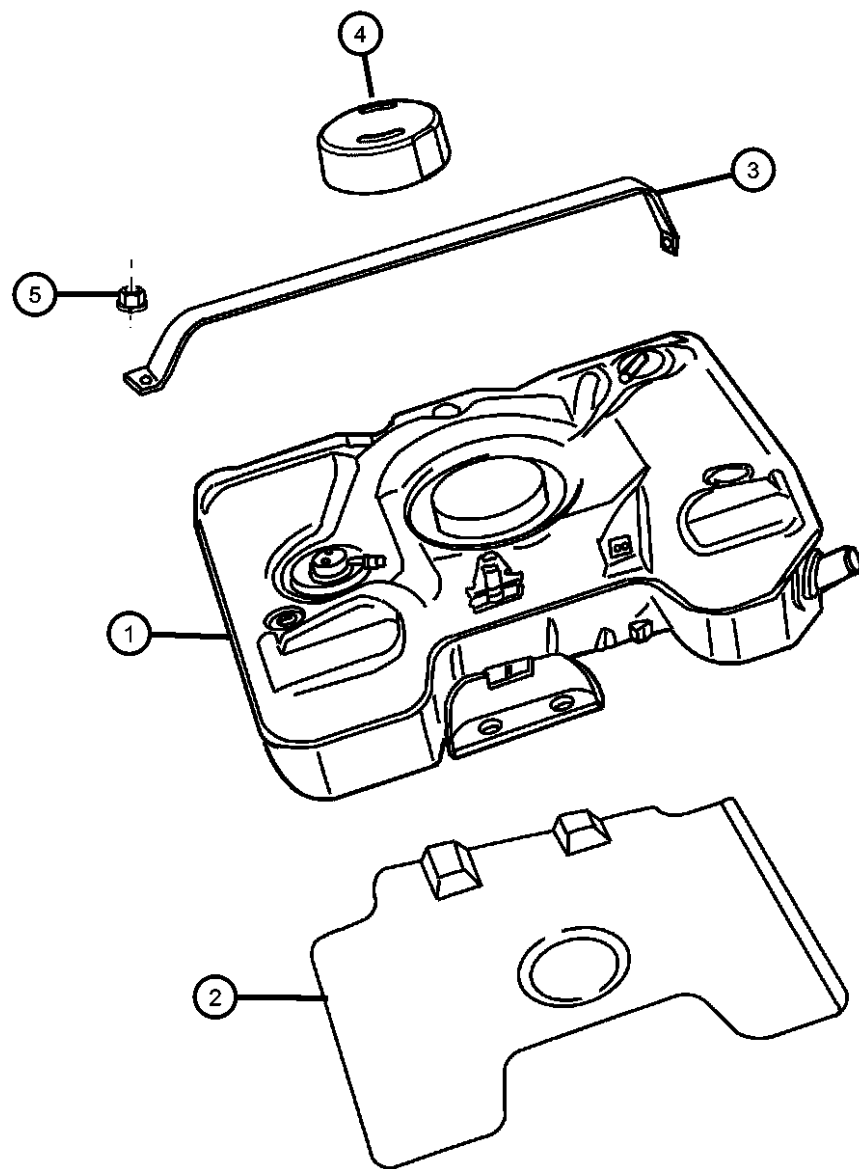


---

## Group - 14 Fuel

Illustration Title	Group-Fig. No.
<b>Fuel Tank</b>	
Fuel Tank and Related .....	Fig. 14 - 105
<b>Fuel Tank Filler Tube</b>	
Fuel Filler Tube and Related .....	Fig. 14 - 205
<b>Fuel Lines</b>	
Fuel Lines and Related .....	Fig. 14 - 305
<b>Fuel Rail and Injectors</b>	
Fuel Rail and Related .....	Fig. 14 - 405
<b>Fuel Pump and Sending Unit</b>	
Fuel Pump Module .....	Fig. 14 - 505
<b>Throttle Body</b>	
Throttle Body and Related .....	Fig. 14 - 605
<b>Air Cleaner</b>	
Air Cleaner and Related .....	Fig. 14 - 805
<b>Accelerator Pedal</b>	
Accelerator Pedal and Related .....	Fig. 14 - 1005

Fuel Tank and Related  
Figure 14-105



ITEM	PART NUMBER	QTY	LINE	SERIES	BODY	ENGINE	TRANS	TRIM	DESCRIPTION
------	-------------	-----	------	--------	------	--------	-------	------	-------------

Note; Sales Code  
[EWE] = 8.4L V-10 SFI Engine

1	05290097AG	1	D		27, 29				TANK, Fuel
2	05290088AD	1	D		27, 29				SHIELD, Fuel Tank HeatRear
3									STRAP, Fuel Tank
	05290089AB	1	D		27, 29				Tank Mounted
	05290323AA	2	D		27, 29				Frame Mounted
4	05290164AA	1							BLOCKER, Fuel Tank
5	06504572	2	D		27, 29				NUT AND WASHER, Hex Nut-Coned Washer, M8 x 1.25
-6	06034645	4	D		27, 29				RIVET, .25 Grip-.06-.25, Fuel Tank Straps to Frame

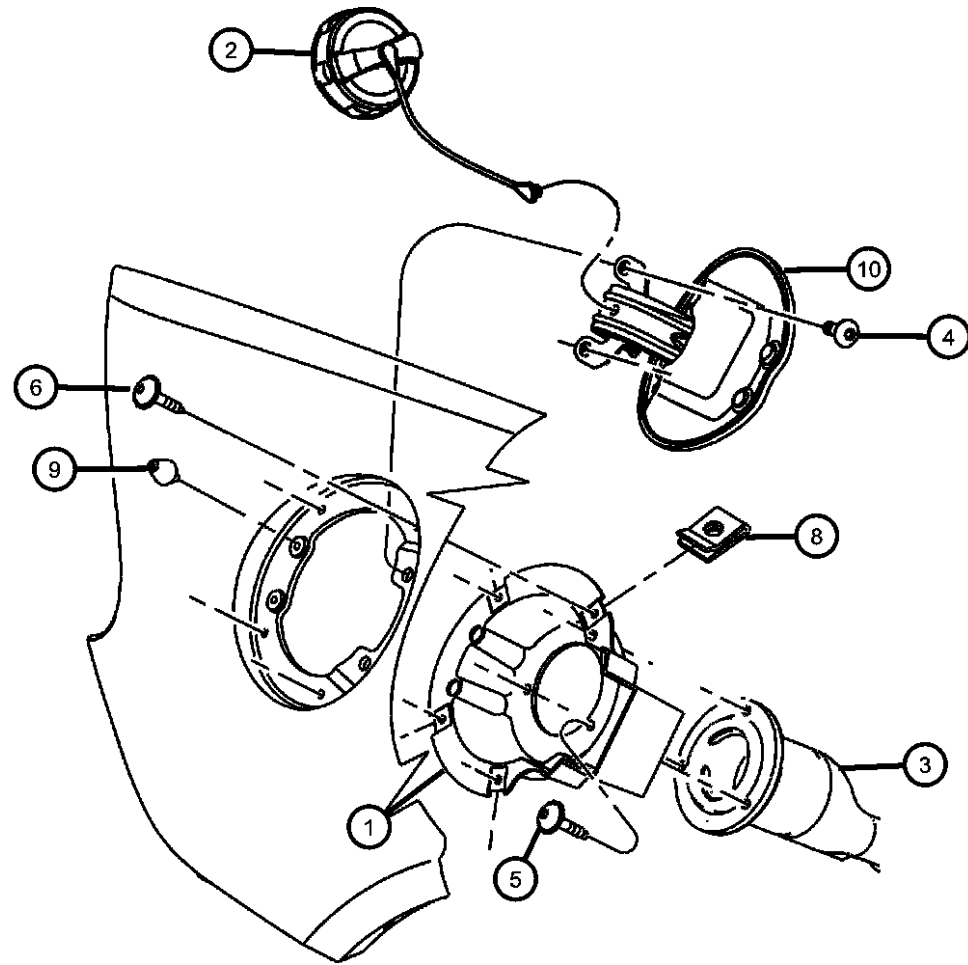
VIPER (ZB)

SERIES	LINE	BODY	ENGINE	TRANSMISSION
S = SPORT	D = DODGE	29 = SPECIALTY COUPE	EWE = 8.4L V10 SFI Engine	DEC = 6-Speed Manual Transmission
X = SPECIAL		27 = 2-DR CONVERTIBLE		

AR = use ase required - = Non illustrated part

2008 ZB

Fuel Filler Tube and Related  
Figure 14-205



ITEM	PART NUMBER	QTY	LINE	SERIES	BODY	ENGINE	TRANS	TRIM	DESCRIPTION
Note; Sales Code [EWE] = 8.4L V-10 SFI Engine									
1									HOUSING, Fuel Filler
	04865906AB	1	D		27				
	05030330AB	1	D		29				
2	52124517AA	1	D		27, 29				CAP, Fuel Filler
3	05290917AE	1	D		27, 29				TUBE, Fuel Filler
4	06504791	2	D		27, 29				SCREW, TAPPING, BUTTON HEAD, M6 X 1.00 X 18.00
5	06504791	2							SCREW, Attach Filler Tube, (NOT SERVICED)
6	06504791	2							SCREW, Fuel Filler Housing Attach, (NOT SERVICED)
-7	06502720	1	D		27, 29				NUT, Hex Flange Lock, M8x1.25, Fuel Filler Ground Strap to Body
8	06036491AA	4	D		27, 29				NUT, Spring U Type, For .164-18 Screw
9	05029238AA	2	D		27, 29				BUMPER, Fuel Door
10									DOOR, Fuel Fill
	04865738AB	1	D		27				
	05030331AC	1	D		29				

VIPER (ZB)

SERIES	LINE	BODY	ENGINE	TRANSMISSION
S = SPORT	D = DODGE	29 = SPECIALTY COUPE	EWE = 8.4L V10 SFI Engine	DEC = 6-Speed Manual Transmission
X = SPECIAL		27 = 2-DR CONVERTIBLE		

AR = use ase required - = Non illustrated part

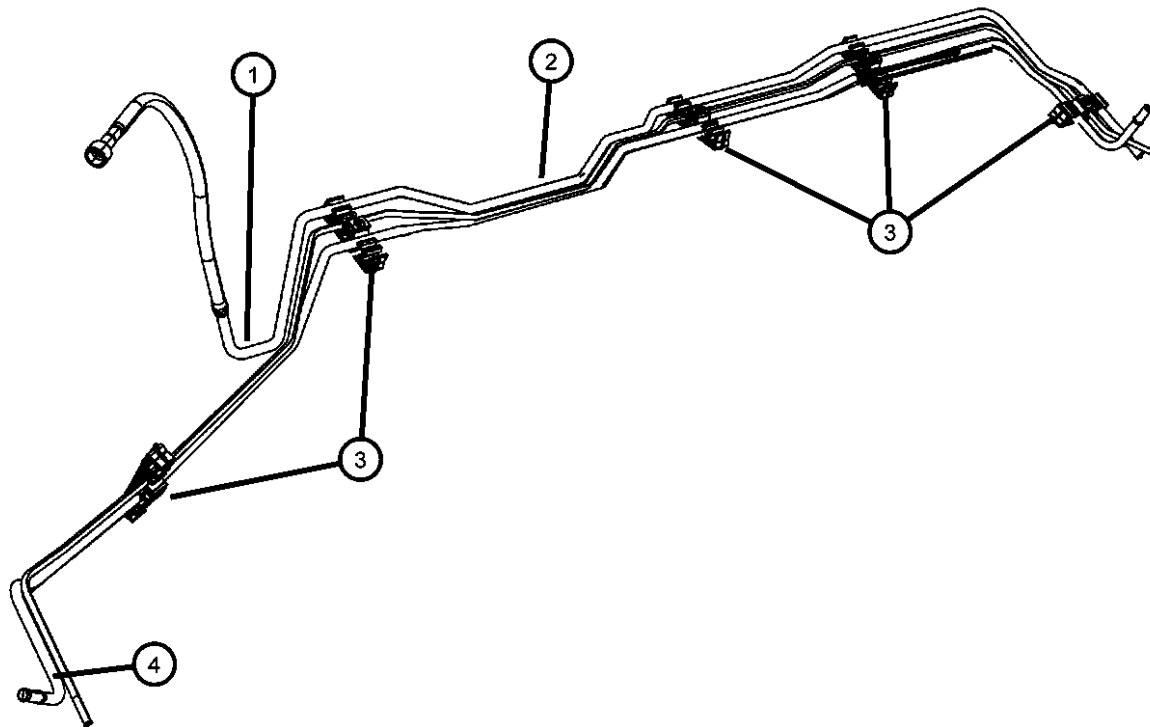
2008 ZB

Fuel Lines and Related  
Figure 14-305

ITEM	PART NUMBER	QTY	LINE	SERIES	BODY	ENGINE	TRANS	TRIM	DESCRIPTION
------	-------------	-----	------	--------	------	--------	-------	------	-------------

Note; Sales Codes;  
[EWE] = 8.4L V10 SFI Engine

1	05290104AE	1	D		27, 29				TUBE, Fuel Supply
2	05290105AB	1	D		27, 29				TUBE, Fuel Vapor
3	05085043AA	5	D		27, 29				CLIP, Fuel Bundle
4	05290106AC	1	D		27, 29				TUBE, Vacuum



**VIPER (ZB)**

SERIES	LINE	BODY	ENGINE	TRANSMISSION
S = SPORT	D = DODGE	29 = SPECIALTY COUPE	EWE = 8.4L V10 SFI Engine	DEC = 6-Speed Manual Transmission
X = SPECIAL		27 = 2-DR CONVERTIBLE		

AR = use ase required - = Non illustrated part

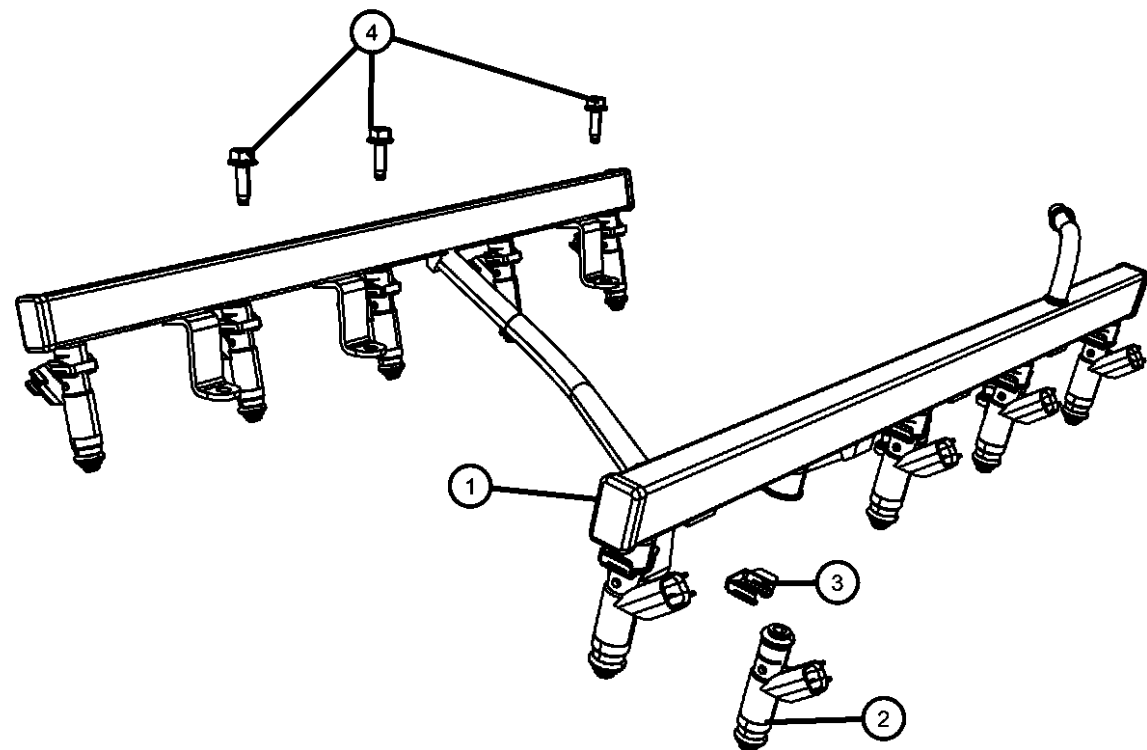
2008 ZB

Fuel Rail and Related  
Figure 14-405

ITEM	PART NUMBER	QTY	LINE	SERIES	BODY	ENGINE	TRANS	TRIM	DESCRIPTION
------	-------------	-----	------	--------	------	--------	-------	------	-------------

Note; Sales Code  
[EWE] = 8.4L V-10 SFI Engine

1	05038015AB	1	D		27, 29	EWE			RAIL, Fuel
2	05037787AA	10	D		27, 29	EWE			INJECTOR, Fuel
3	04418257AB	10	D		27, 29	EWE			CLIP, Fuel Injector
4	04418257AB	10							BOLT, Hex Flange Head, (NOT SERVICED)



VIPER (ZB)

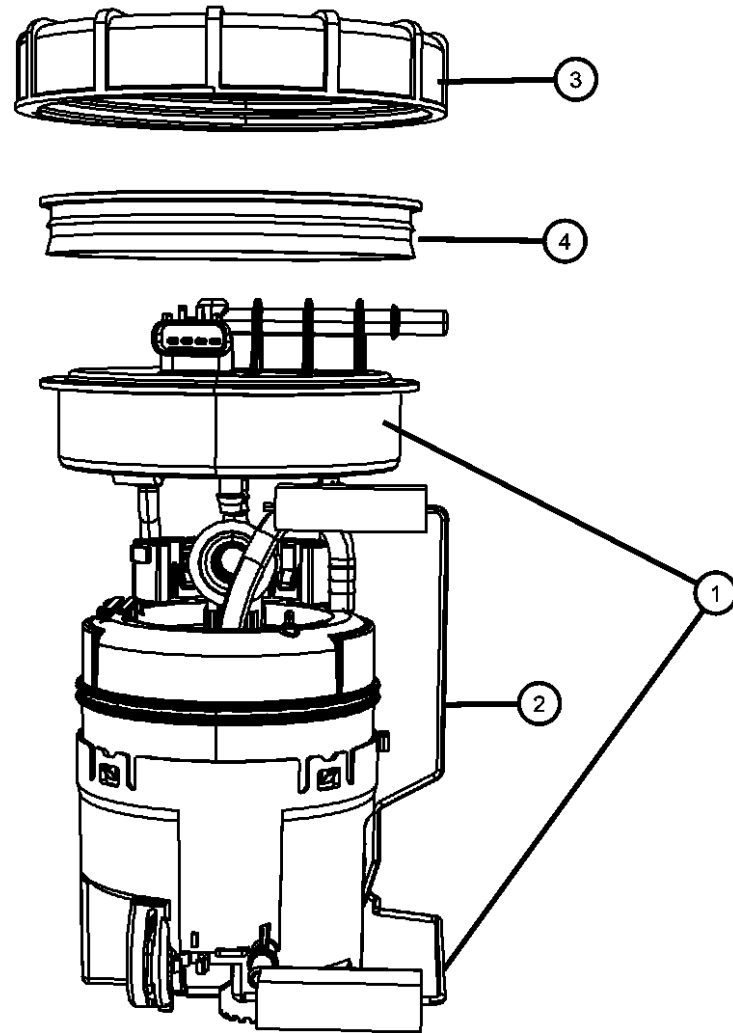
SERIES	LINE	BODY	ENGINE	TRANSMISSION
S = SPORT	D = DODGE	29 = SPECIALTY COUPE	EWE = 8.4L V10 SFI Engine	DEC = 6-Speed Manual Transmission
X = SPECIAL		27 = 2-DR CONVERTIBLE		

AR = use ase required - = Non illustrated part

2008 ZB

Fuel Pump Module  
Figure 14-505

ITEM	PART NUMBER	QTY	LINE	SERIES	BODY	ENGINE	TRANS	TRIM	DESCRIPTION
1	68026581AB	1	D		27, 29				MODULE KIT, Fuel Pump/Level Unit
2	68027708AA	1	D		27, 29				LEVEL UNIT KIT, Fuel
3	52005389	1	D		27, 29				NUT, Fuel Pump Module
4	52018808	1	D		27, 29				SEAL, Fuel Pump and Level Unit



VIPER (ZB)

SERIES  
S = SPORT  
X = SPECIAL

LINE  
D = DODGE

BODY  
29 = SPECIALTY COUPE  
27 = 2-DR CONVERTIBLE

ENGINE  
EWE = 8.4L V10 SFI Engine

TRANSMISSION  
DEC = 6-Speed Manual Transmission

AR = use ase required - = Non illustrated part

2008 ZB

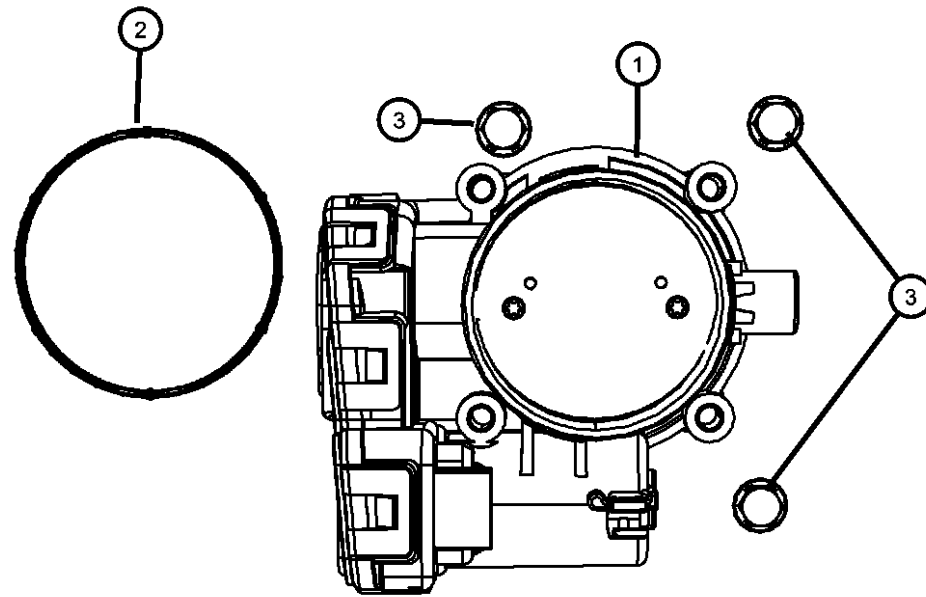


**Throttle Body and Related  
Figure 14-605**

ITEM	PART NUMBER	QTY	LINE	SERIES	BODY	ENGINE	TRANS	TRIM	DESCRIPTION
------	-------------	-----	------	--------	------	--------	-------	------	-------------

NOTE: Sales Code  
[EWE] = 8.4L V10 SFI Engine

1	53032837AA	2	D		27, 29	EWE			THROTTLE BODY
2	05038090AA	2	D		27, 29	EWE			SEAL, Throttle Body to Intake
3	06104186AA	8	D		27, 29	EWE			SCREW



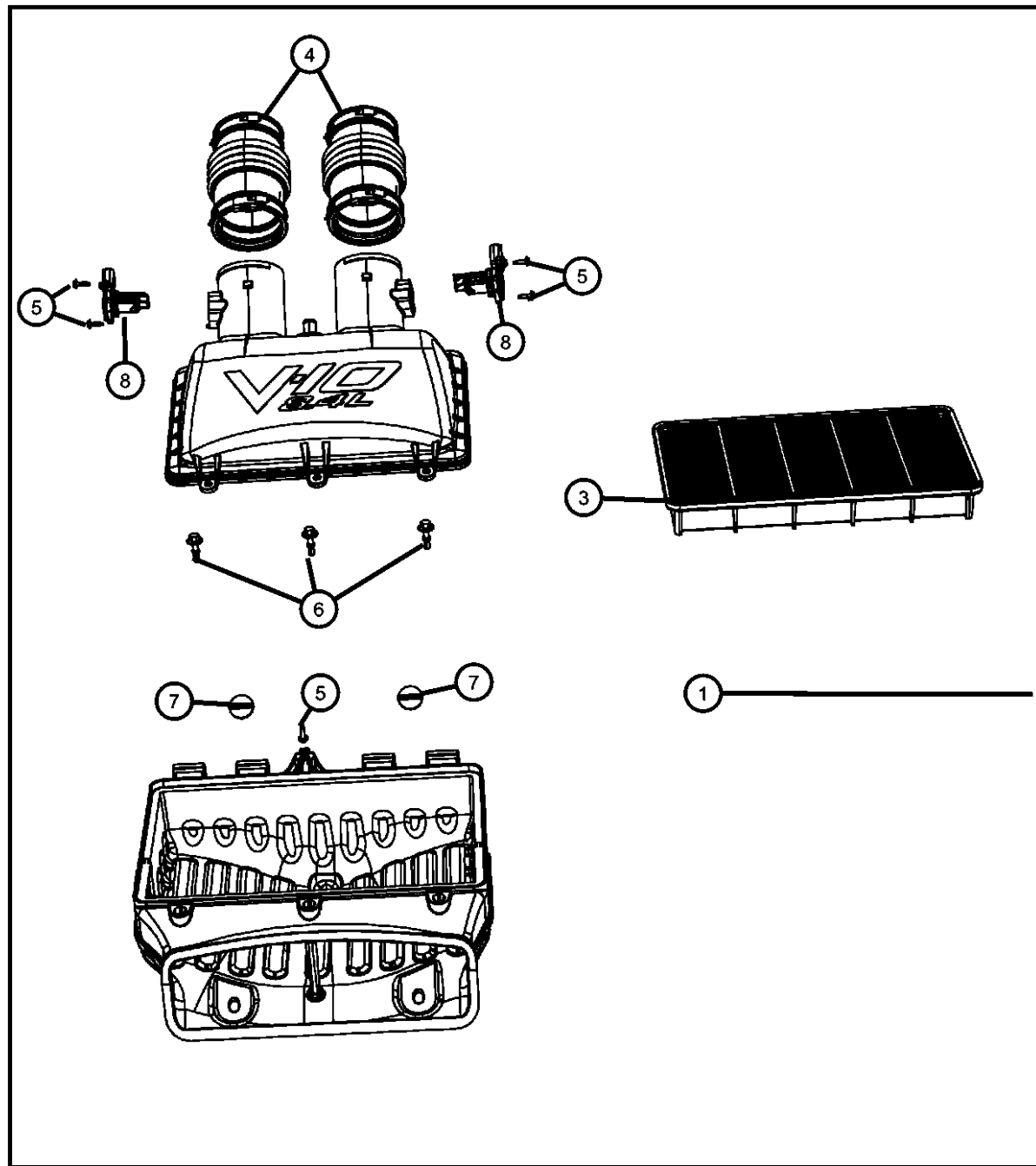
**VIPER (ZB)**

SERIES	LINE	BODY	ENGINE	TRANSMISSION
S = SPORT	D = DODGE	29 = SPECIALTY COUPE	EWE = 8.4L V10 SFI Engine	DEC = 6-Speed Manual Transmission
X = SPECIAL		27 = 2-DR CONVERTIBLE		

AR = use ase required - = Non illustrated part

2008 ZB

**Air Cleaner and Related  
Figure 14-805**



ITEM	PART NUMBER	QTY	LINE	SERIES	BODY	ENGINE	TRANS	TRIM	DESCRIPTION
Note; Sales Codes; [EWE] = 8.4L V10 SFI Engine									
1	05037935AA	1	D		27, 29	EWE			AIR CLEANER, Includes All Items Within Box
-2	05038304AA	1	D		27, 29	EWE			TUBE, Drain
3	05038070AA	1	D		27, 29	EWE			FILTER, Air
4	05038053AA	2	D		27, 29	EWE			DUCT, Clean Air
5	06102192AA	5	D		27, 29	EWE			BOLT, Hex Flange Head, M4.2X1.70X16.00
6	06508836AA	3	D		27, 29	EWE			SCREW, Air Cleaner Cover
7	06508836AA	3							FASTENER, Air Cleaner Body, (NOT SERVICED)
8	05037945AA	2	D		27, 29	EWE			SENSOR, Mass Airflow

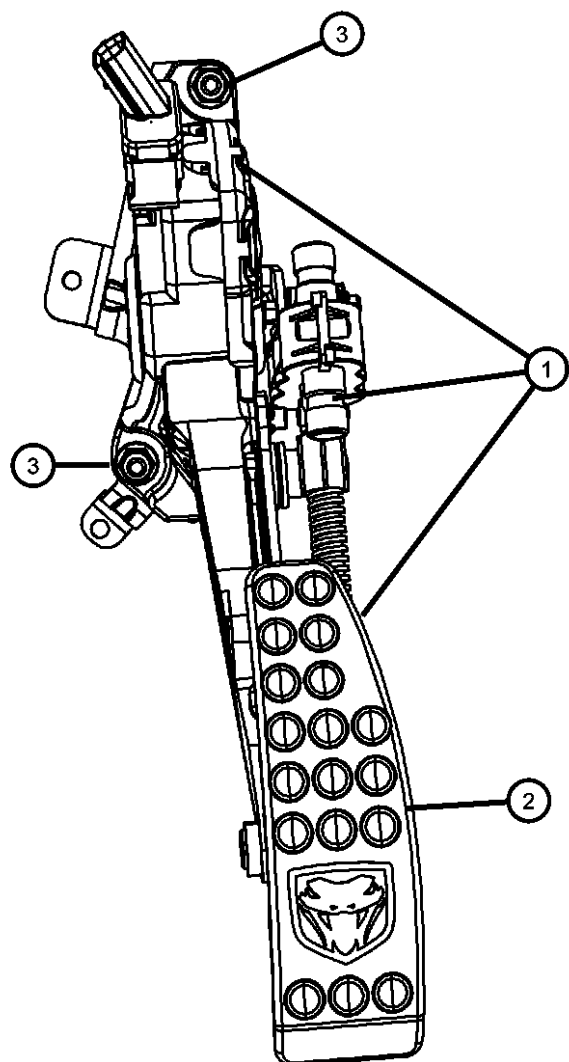
**VIPER (ZB)**

SERIES	LINE	BODY	ENGINE	TRANSMISSION
S = SPORT	D = DODGE	29 = SPECIALTY COUPE	EWE = 8.4L V10 SFI Engine	DEC = 6-Speed Manual Transmission
X = SPECIAL		27 = 2-DR CONVERTIBLE		

AR = use ase required - = Non illustrated part

**Accelerator Pedal and Related  
Figure 14-1005**

ITEM	PART NUMBER	QTY	LINE	SERIES	BODY	ENGINE	TRANS	TRIM	DESCRIPTION
1	05290926AD	1	D		27, 29				PEDAL ASSEMBLY, Adjustable
2	05290928AB	1	D		27, 29				PEDAL, Accelerator, Pedal Only
3	06101447	2	D		27, 29				NUT AND WASHER, M6x1.00



**VIPER (ZB)**

SERIES	LINE	BODY	ENGINE	TRANSMISSION
S = SPORT	D = DODGE	29 = SPECIALTY COUPE	EWE = 8.4L V10 SFI Engine	DEC = 6-Speed Manual Transmission
X = SPECIAL		27 = 2-DR CONVERTIBLE		

AR = use ase required - = Non illustrated part

2008 ZB

# Group - 17

## Rear Suspension

### Group - 17 Rear Suspension

Illustration Title

Group-Fig. No.

#### Rear Suspension and Cradle

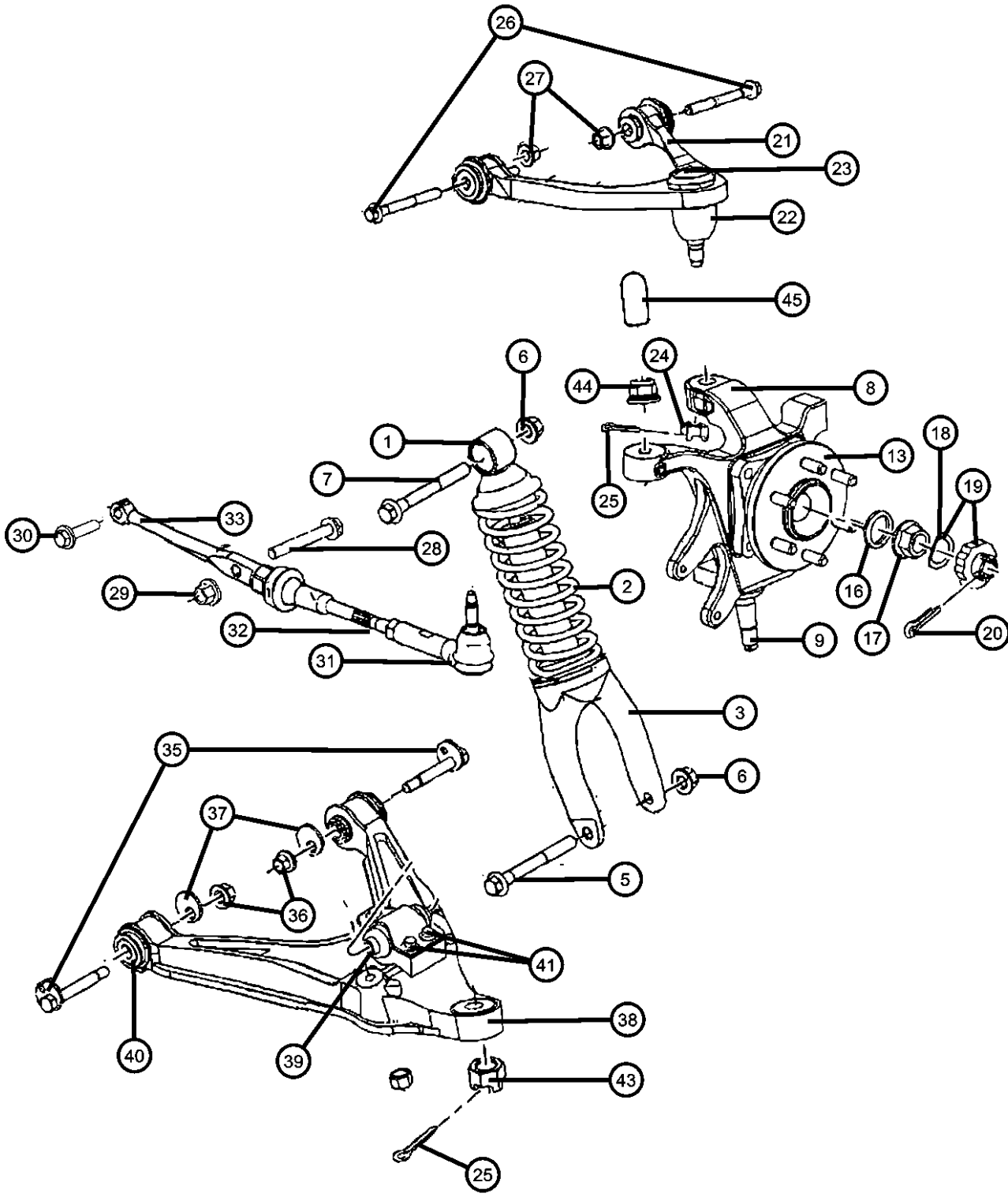
Suspension,Rear.....Fig. 17 - 105

#### Rear Stabilizer Bar

Stabilizer Bar , Rear.....Fig. 17 - 205

<b>017-100</b> Rear Suspension and Cradle	<b>017-200</b> Rear Stabilizer Bar		
--	---------------------------------------	--	--

Suspension,Rear  
Figure 17-105



ITEM	PART NUMBER	QTY	LINE	SERIES	BODY	ENGINE	TRANS	TRIM	DESCRIPTION
------	-------------	-----	------	--------	------	--------	-------	------	-------------

Sales Codes:  
[SDE]= SPORT GROUP

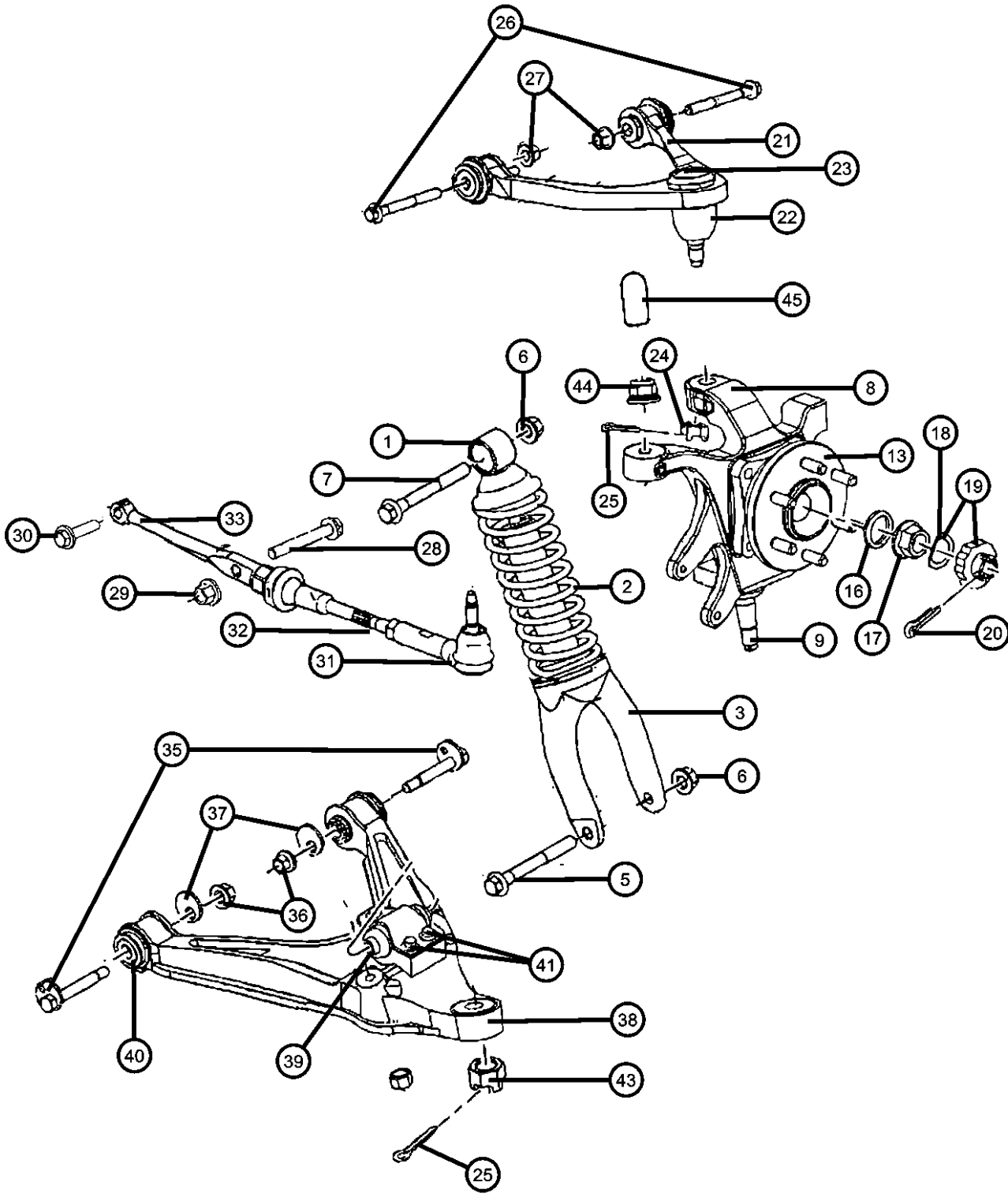
1	05181434AA	2	D		27, 29				SHOCK ABSORBER, Suspension
2	05181440AA	2	D		27, 29				SPRING, Rear Coil
3	05290128AB	2	D		27, 29				BRACKET, Suspension
-4	05290233AA	4	D		27, 29				BUSHING, Upper and Lower Shock
5	06102081AA	2	D		27, 29				SCREW, Hex Flange Head, M14x2.00x140.00
6	06502698	4	D		27, 29				NUT, Hex Flange Lock, M14x2.00
7	06504189	2	D		27, 29				SCREW
8									KNUCKLE, Rear
	05134994AA	1	D		27, 29				Right
	05134995AA	1	D		27, 29				Left
9	05134995AA	1							BALL JOINT, Lower Control Arm, Serviced with Knuckle Only, (NOT SERVICED)
-10	52006404	1	D		27, 29				SEAL, Ball Joint
-11	06030099	1	D		27, 29				FITTING, Ball Joint, Zirc
-12	04848173	1	D		27, 29				GASKET
13	04848716	1	D		27, 29				HUB AND BEARING, Brake
-14	04848171	1	D		27, 29				GASKET
-15	06035642	4	D		27, 29				SCREW AND WASHER, Hex Head Locking, .50-20x2.25 Grade 8
16	06502293	2	D		27, 29				WASHER, Flat, M23x43x4
17	06502294	2	D		27, 29				NUT, Hex Flange, M22x1.25
18	05212684	2	D		27, 29				WASHER, Wave
19	04293167	2	D		27, 29				NUT AND WASHER PACKAGE
20	06500336	2	D		27, 29				PIN, Cotter, M5x36.00
21	05290117AB	2	D		27, 29				ARM, Control
22	52006404	1	D		27, 29				SEAL, Ball Joint
23	06030099	1	D		27, 29				FITTING, Ball Joint, Zirc
24	06035641	2	D		27, 29				NUT, Hex, .625-18
25	00120123	2	D		27, 29				PIN, Cotter
26	06502046	2	D		27, 29				BOLT, Suspension Upper Arm
27	06502585	4	D		27, 29				NUT AND CONED WASHER, Hex, M12X1.75
28	06101707	2	D		27, 29				BOLT, M10x1.50x75
29	06502337	2	D		27, 29				NUT AND WASHER, Hex Locking, M10x1.50

VIPER (ZB)

SERIES	LINE	BODY	ENGINE	TRANSMISSION
S = SPORT	D = DODGE	29 = SPECIALTY COUPE	EWE = 8.4L V10 SFI Engine	DEC = 6-Speed Manual Transmission
X = SPECIAL		27 = 2-DR CONVERTIBLE		

AR = use ase required - = Non illustrated part

Suspension,Rear  
Figure 17-105



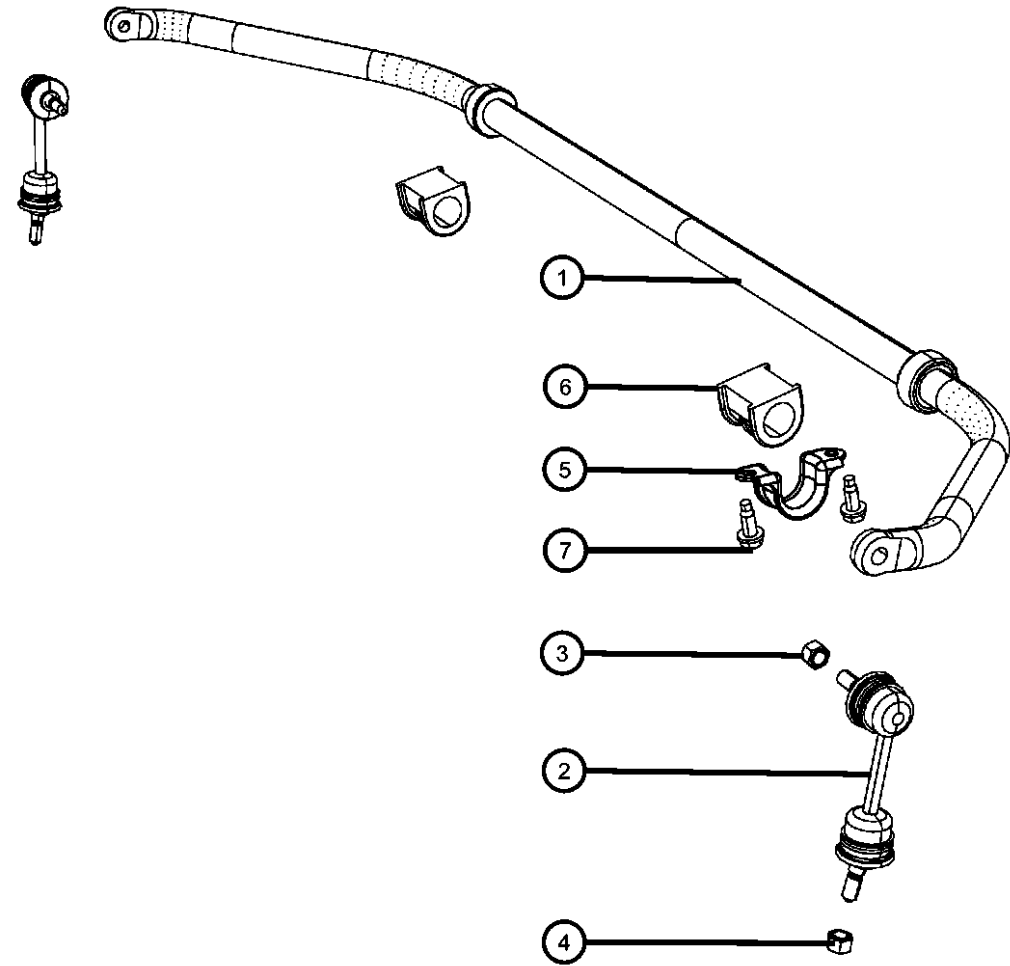
ITEM	PART NUMBER	QTY	LINE	SERIES	BODY	ENGINE	TRANS	TRIM	DESCRIPTION
30	06101063	2	D		27, 29				SCREW AND WASHER, M10x1.5x45
31	05290168AA	2	D		27, 29				END, Tie Rod
32	04763159AB	2	D		27, 29				LINK, Trailing Rear Suspension
33	04709309	2	D		27, 29				ROD, Toe Link
-34									SHIM, Tow Link To Frame
	04643914	AR	D		27, 29				[4U]
	04643915	AR	D		27, 29				[6U]
	04643985	AR	D		27, 29				[2D]
	04643986	AR	D		27, 29				[4D]
	04643987	AR	D		27, 29				[6D]
	04643912	2	D		27, 29				[NOM]
35	06036525AA	4	D		27, 29				BOLT, Control Arm Cam
36	06036467AA	4	D		27, 29				NUT, Hex Lock, .50-20
37	06036469AA	4	D		27, 29				WASHER, Control Arm
38									ARM, Control
	05290118AA	1	D		27, 29				Right
	05290119AA	1	D		27, 29				Left
39	04848052AB	1	D		27, 29				BUSHING, With Strap
40	04848050	2	D		27, 29				BUSHING, Control Arm
41	06503357	3	D		27, 29				BOLT, Hex Flange Head, M10x1.50x55
-42	06101696	3	D		27, 29				NUT, Hex Flange Lock, M10x1.50, For Clevis Mounting Bushing, Mates to 48
43	06035670	4	D		27, 29				NUT, Hex
44	06506557AA	2	D		27, 29				NUT & WASHER, Hex Lock, M14x1.50
45	05290275AA	2	D		27, 29				CAP, Ball Joint

**VIPER (ZB)**  
 SERIES                      LINE                                      BODY                                      ENGINE                                      TRANSMISSION  
 S = SPORT                      D = DODGE                                      29 = SPECIALTY COUPE                      EWE = 8.4L V10 SFI Engine                      DEC = 6-Speed Manual Transmission  
 X = SPECIAL

AR = use ase required - = Non illustrated part

**Stabilizer Bar , Rear  
Figure 17-205**

ITEM	PART NUMBER	QTY	LINE	SERIES	BODY	ENGINE	TRANS	TRIM	DESCRIPTION
1	05290169AA	1	D		27, 29				BAR, Rear Sway
2	04709289	2	D		27, 29				LINK, Rear Suspension Assist
3	06100219	2	D		27, 29				NUT, Hex Jam, M10x1.5
4	06502556	2	D		27, 29				NUT, Hex, M10-1.5
5	04404219AB	2	D		27, 29				RETAINER, Stabilizer Bar Grommet
6	04643004	2	D		27, 29				BUSHING, Stabilizer Bar
7	04643004	2							BOLT, M10x1.50x25, (NOT SERVICED)



**VIPER (ZB)**

SERIES	LINE	BODY	ENGINE	TRANSMISSION
S = SPORT	D = DODGE	29 = SPECIALTY COUPE	EWE = 8.4L V10 SFI Engine	DEC = 6-Speed Manual Transmission
X = SPECIAL		27 = 2-DR CONVERTIBLE		

AR = use ase required - = Non illustrated part

# Group - 19

## Steering

### Group - 19 Steering

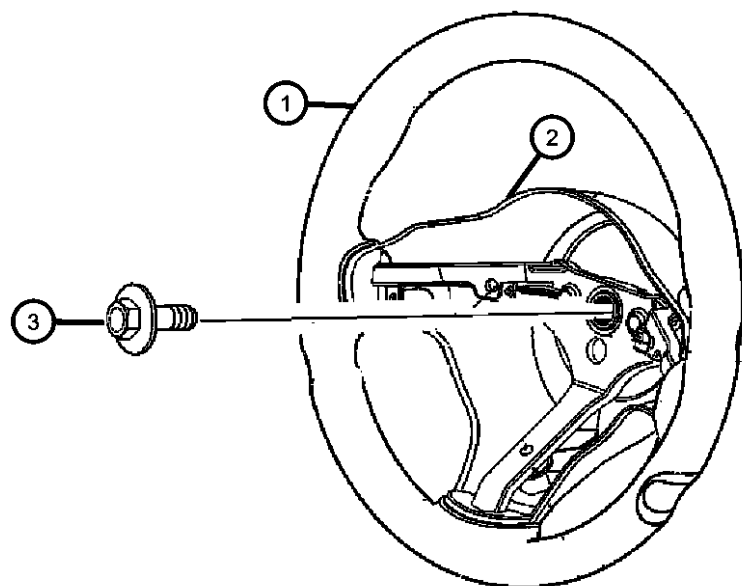
Illustration Title	Group-Fig. No.
<b>Steering Wheel</b>	
Steering Wheel Assembly .....	Fig. 19 - 105
<b>Steering Column and Intermediate Shaft</b>	
Steering Column .....	Fig. 19 - 205
<b>Steering Gear</b>	
Steering Gear and Related Parts .....	Fig. 19 - 310
<b>Power Steering Pump</b>	
Power Steering Pump .....	Fig. 19 - 505
<b>Power Steering Hoses</b>	
Hoses, Power Steering .....	Fig. 19 - 605

<b>019-100</b> Steering Wheel	<b>019-200</b> Steering Column and Intermediate Shaft	<b>019-300</b> Steering Gear	<b>019-500</b> Power Steering Pump
<b>019-600</b> Power Steering Hoses			



**Steering Wheel Assembly  
Figure 19-105**

ITEM	PART NUMBER	QTY	LINE	SERIES	BODY	ENGINE	TRANS	TRIM	DESCRIPTION
1	0TQ901X9AA	1	D						WHEEL, Steering, [X9]
2	0TQ91DX9AA	1	D						COVER, Steering Wheel, [X9]
3	06505656AA	1	D						SCREW, Hex Flange Head, M10x1.5x35., Steering Wheel to Column
-4									AIR BAG, Driver
	1CZ83DX9AD	1	D						[X5]
		1	D						[X9]
		1	D						[XB]
		1	D						[XR]
		1	D						[XU]
-5	06503771	3	D						SCREW, Hex Flange Head, M6x1x23, Driver Air Bag to Steering Column
-6	04671789AF	1	D						CLOCKSPRING

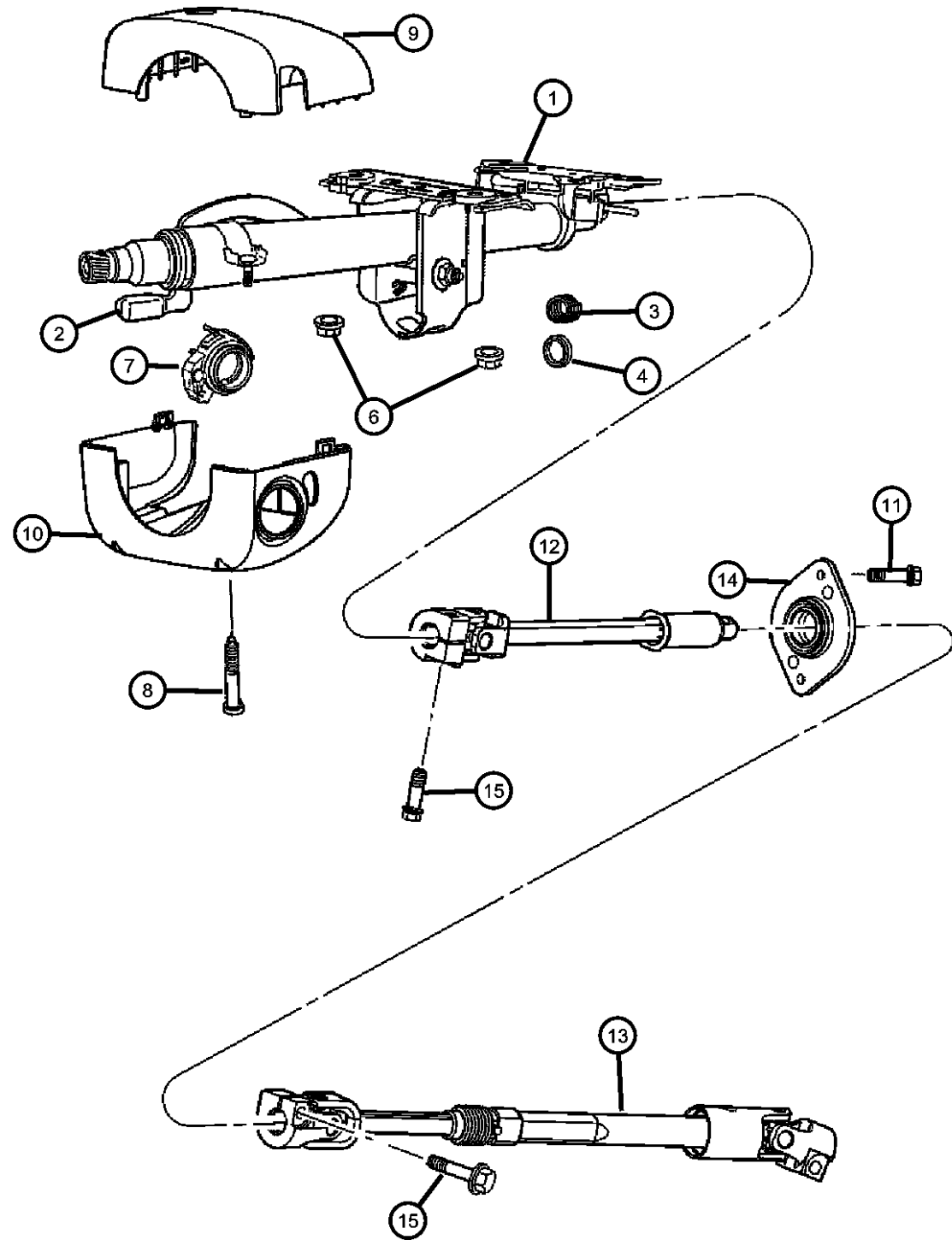


**VIPER (ZB)**

SERIES	LINE	BODY	ENGINE	TRANSMISSION
S = SPORT	D = DODGE	29 = SPECIALTY COUPE	EWE = 8.4L V10 SFI Engine	DEC = 6-Speed Manual Transmission
X = SPECIAL		27 = 2-DR CONVERTIBLE		

AR = use ase required - = Non illustrated part

Steering Column  
Figure 19-205



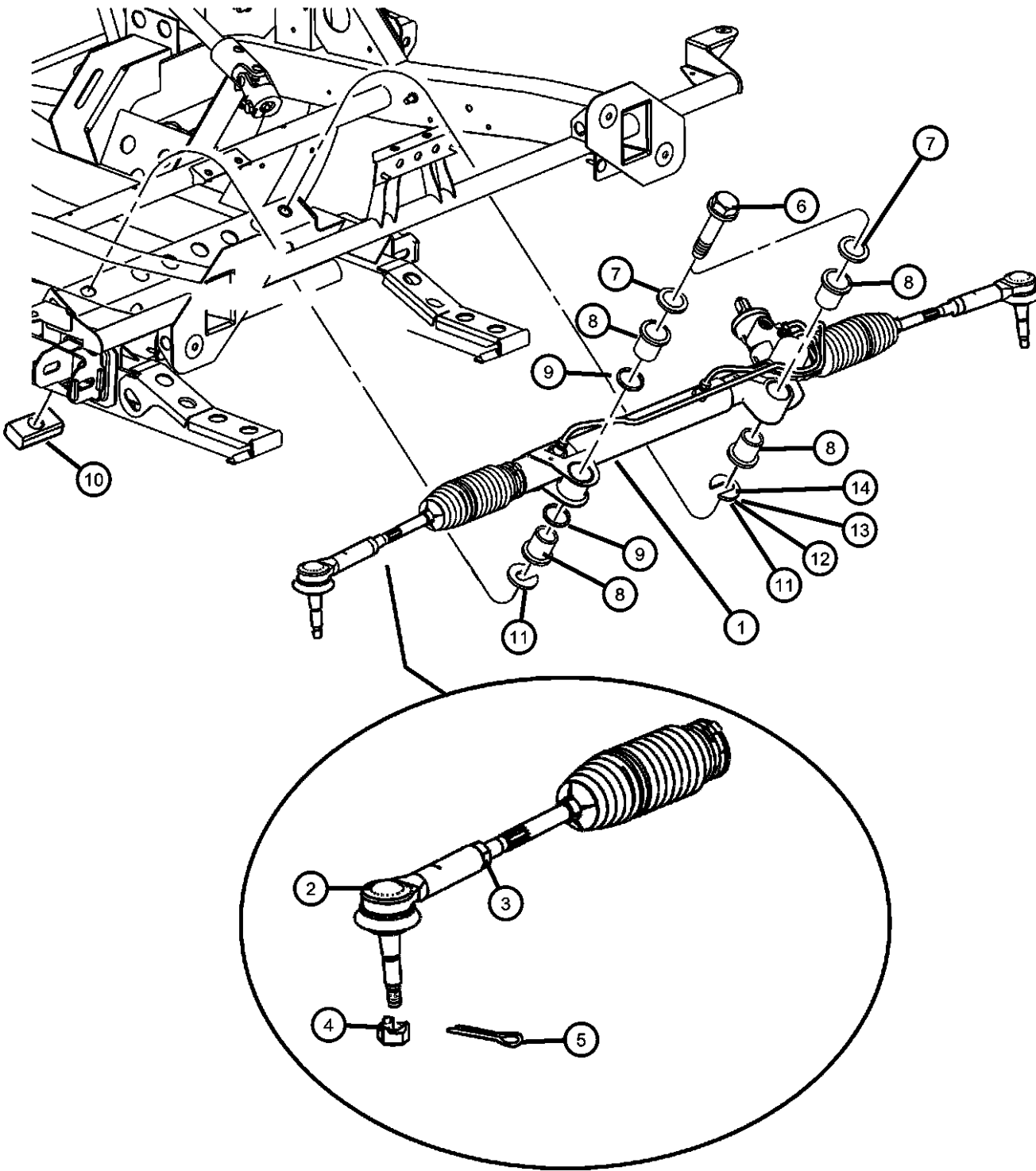
ITEM	PART NUMBER	QTY	LINE	SERIES	BODY	ENGINE	TRANS	TRIM	DESCRIPTION
1	04865679AC	1	D						COLUMN, Steering, Tilt
	05057370AA	1	D						[SUA] Tilt Steering Column
2	05057370AA	1							Export
3	05057370AA	1							LEVER, Tilt Column Release, Serviced in item # 1, (NOT SERVICED)
4	05057370AA	1							SPRING, (NOT SERVICED)
	04147362AB	1	D						BEARING, Steering Column Shaft
	05290187AA	1	D						Extension
-5	04664130	1	D						RETAINER, Spring
6	06503182	4	D						NUT AND WASHER, Hex Lock Nut-Coned Teeth Washer, M8 x 1.25, Steering Column to Front of Dash
7	04671104	1	D						LAMP, Ignition Switch
8	06035434	2	D						SCREW AND WASHER, Pan Head, Up to Lwr Shroud Attach
9	0UC77DX9AA	1	D						SHROUD, Steering ColumnUpper
10	0UC78DX9AA	1	D						SHROUD, Steering ColumnLower
11	06102204AA	2	D						SCREW
12	05290070AD	1	D						SHAFT, Steering ColumnExtension
13	04865588AC	1	D						SHAFT, Steering ColumnIntermediate
14	05290187AA	1	D						BEARING, Steering Column Shaft
15	06504926AA	3	D						SCREW, Hex Flange Head, M10x1.5x40
-16	04690507AB	1	D						BEARING, Steering Column
-17	06035021	1	D						SCREW, Pan Head Tapping, .125-40x.437
-18	04690570	1	D						WEDGE
-19	06035937AA	2	D						SCREW, .164-18x1.00
-20	04690101	1	D						CLAMP, Lock Housing

VIPER (ZB)

SERIES	LINE	BODY	ENGINE	TRANSMISSION
S = SPORT	D = DODGE	29 = SPECIALTY COUPE	EWE = 8.4L V10 SFI Engine	DEC = 6-Speed Manual Transmission
X = SPECIAL		27 = 2-DR CONVERTIBLE		

AR = use ase required - = Non illustrated part

**Steering Gear and Related Parts  
Figure 19-310**



ITEM	PART NUMBER	QTY	LINE	SERIES	BODY	ENGINE	TRANS	TRIM	DESCRIPTION
1	04865678AB	1	D						GEAR, Power Steering
2	05290168AA	2	D						END, Tie Rod
3	05104685AA	1	D						JAM NUT, Outer Tie Rod
4	06101446	2	D						NUT AND WASHER
5	00120123	2	D						PIN, Cotter
6	00120123	2							BOLT, Hex Head, .625-11x3.75, (NOT SERVICED)
7	06034710	2	D						WASHER, Flat
8	04642116	4	D						ISOLATOR, Steering Gear
9	04708035	2	D						O RING, Steering Gear
10	04117796	1	D						NUT, Pivot Arm
11	04708475	AR	D						SHIM, Steering Gear, 0.5mm
12	04708070	AR	D						SHIM, Steering Gear, 1.0mm
13	04708068	AR	D						SHIM, Steering Gear, 1.5mm
14	04708069	AR	D						SHIM, Steering Gear, 3.0mm

**VIPER (ZB)**

SERIES  
S = SPORT  
X = SPECIAL

LINE  
D = DODGE

BODY  
29 = SPECIALTY COUPE  
27 = 2-DR CONVERTIBLE

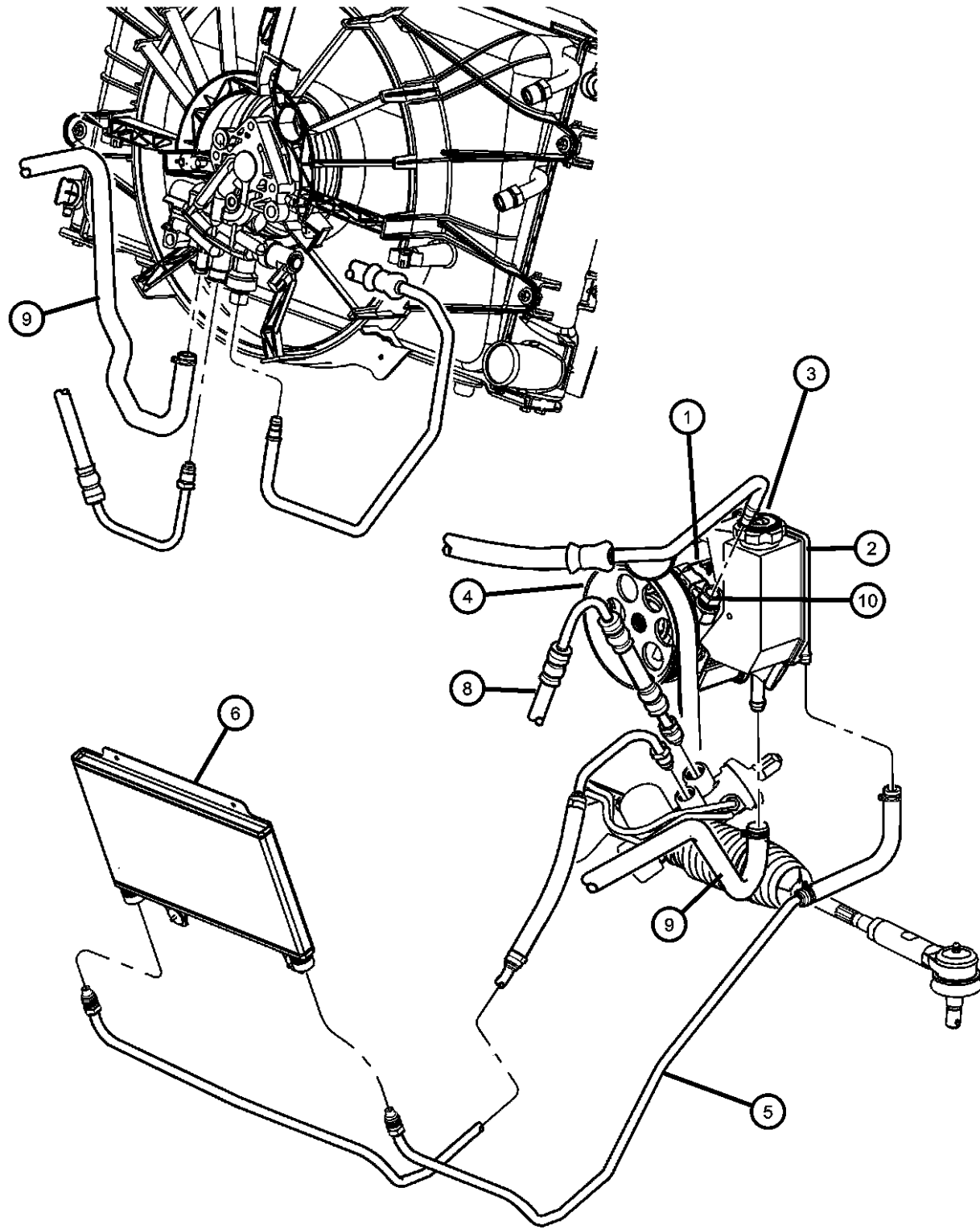
ENGINE  
EWE = 8.4L V10 SFI Engine

TRANSMISSION  
DEC = 6-Speed Manual Transmission

AR = use ase required - = Non illustrated part

2008 ZB

**Power Steering Pump  
Figure 19-505**



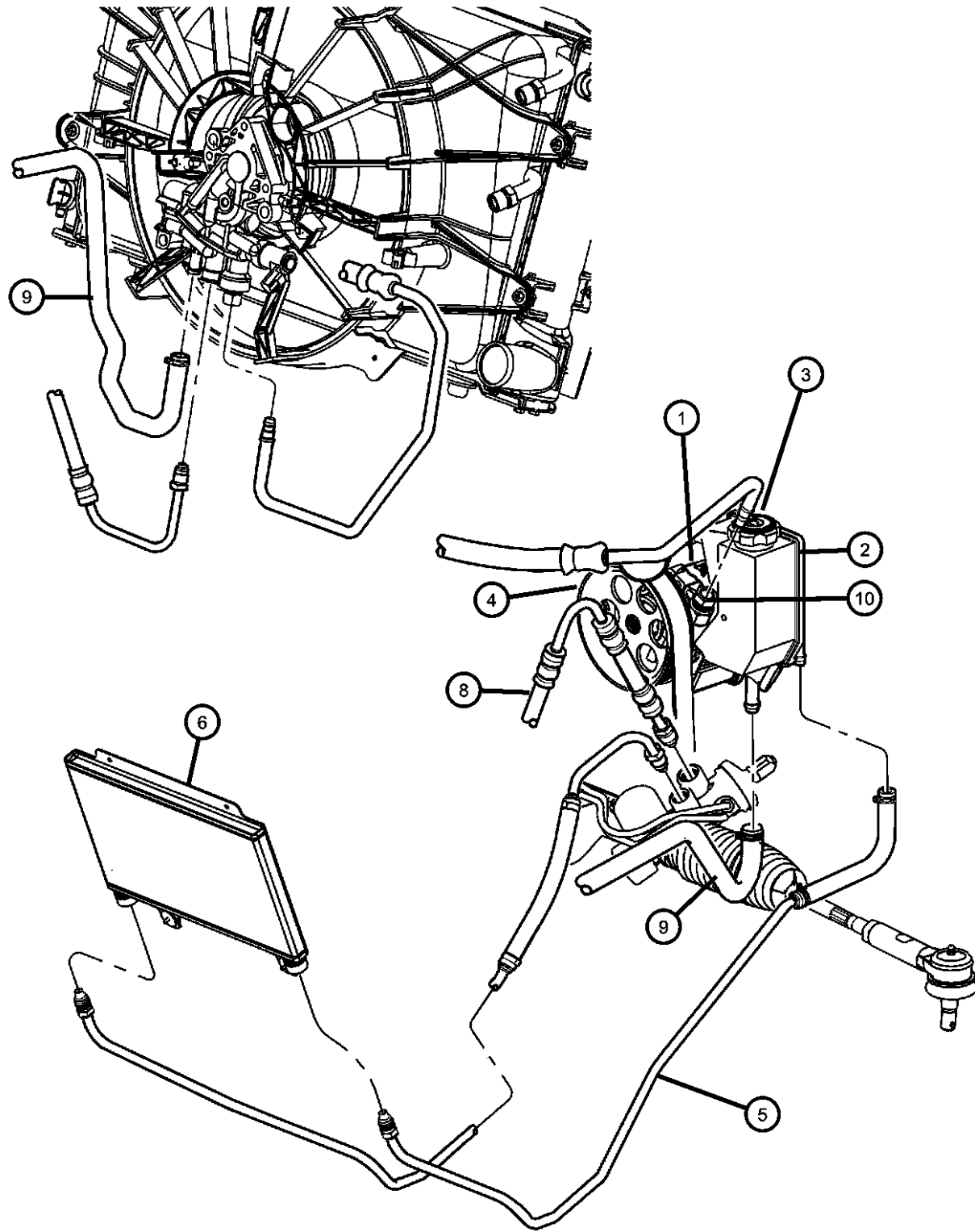
ITEM	PART NUMBER	QTY	LINE	SERIES	BODY	ENGINE	TRANS	TRIM	DESCRIPTION
NOTE: Sales Code [EWC] = 8.3L V10 SFI Engine									
1	68004111AA	1	D			EWE			PUMP, Power Steering
2	05030970AA	1	D			EWE			RESERVOIR, Power Steering Pump, Kit, Contains: 2-Clips, Throat Tube, O'Ring
3	52128513AA	1	D			EWE			CAP, Power Steering Reservoir
4	52128513AA	1							PULLEY, Power Steering Pump, (NOT SERVICED)
5	05181395AA	1	D						HOSE, Power Steering Return
6	05290013AE	1	D						COOLER, Power Steering
-7	05290238AA	2	D						CONNECTOR, Quick Type
8	05290267AC	1	D						LINE, Power Steering
9	05290267AC	1	D						LINE, Power Steering
10	68004340AA	1	D			EWE			FITTING, Quick Disconnect
-11	05096245AA	1	D						O RING
-12	00154910AA	1	D						SCREW

**VIPER (ZB)**

SERIES	LINE	BODY	ENGINE	TRANSMISSION
S = SPORT	D = DODGE	29 = SPECIALTY COUPE	EWE = 8.4L V10 SFI Engine	DEC = 6-Speed Manual Transmission
X = SPECIAL		27 = 2-DR CONVERTIBLE		

AR = use ase required - = Non illustrated part

Hoses, Power Steering  
Figure 19-605



ITEM	PART NUMBER	QTY	LINE	SERIES	BODY	ENGINE	TRANS	TRIM	DESCRIPTION
NOTE: Sales Code [EWC] = 8.3L V10 SFI Engine									
1	68004111AA	1	D			EWE			PUMP, Power Steering
2	05030970AA	1	D			EWE			RESERVOIR, Power Steering Pump, Kit, Contains: 2-Clips, Throat Tube, O'Ring
3	52128513AA	1	D			EWE			CAP, Power Steering Reservoir
4	52128513AA	1							PULLEY, Power Steering Pump, (NOT SERVICED)
5	05181395AA	1	D						HOSE, Power Steering Return
6	05290013AE	1	D						COOLER, Power Steering
-7	05290238AA	2	D						CONNECTOR, Quick Type
8	05290267AC	1	D						LINE, Power Steering
9	05290267AC	1	D						LINE, Power Steering
10	68004340AA	1	D			EWE			FITTING, Quick Disconnect
-11	05096245AA	1	D						O RING
-12	00154910AA	1	D						SCREW

VIPER (ZB)

SERIES  
S = SPORT  
X = SPECIAL

LINE  
D = DODGE

BODY  
29 = SPECIALTY COUPE  
27 = 2-DR CONVERTIBLE

ENGINE  
EWE = 8.4L V10 SFI Engine

TRANSMISSION  
DEC = 6-Speed Manual Transmission

AR = use ase required - = Non illustrated part

2008 ZB

# Group - 021DEC

## TR6060; 6-Speed; Manual Transmission

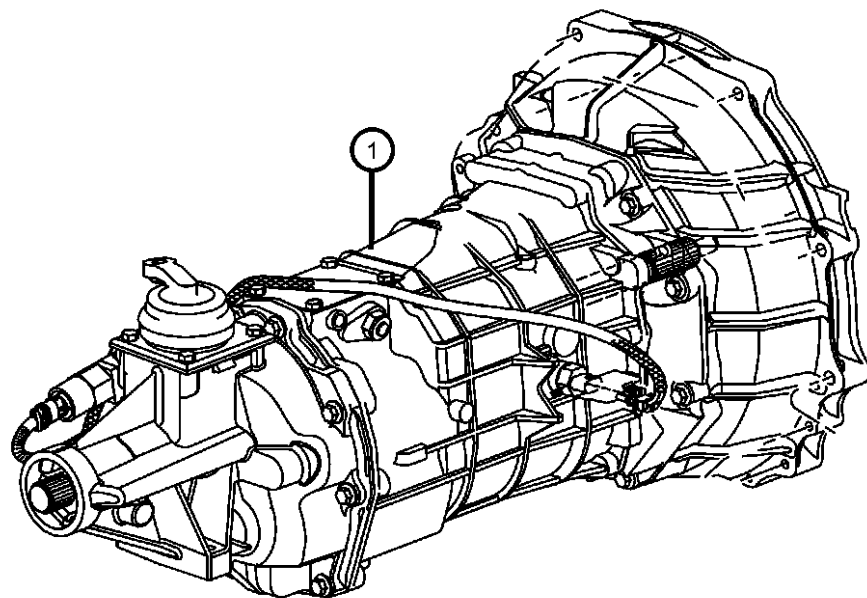
### Group - 021DEC TR6060; 6-Speed; Manual Transmission

Illustration Title	Group-Fig. No.
<b>Manual Transmission / Transaxle</b>	
Transmission / Transaxle Assembly .....	Fig. 021DEC - 105
<b>Gearshift Controls and Related Parts</b>	
Gear Shift Boot, Knob and Bezel .....	Fig. 021DEC - 1110
<b>Mounting and Skid Plate</b>	
Mounting Covers And Shields.....	Fig. 021DEC - 1205
Structural Collar .....	Fig. 021DEC - 1210
Mounting Bolts.....	Fig. 021DEC - 1215
Skid Plate .....	Fig. 021DEC - 1220

<b>021DEC-100</b> Manual Transmission / Transaxle	<b>021DEC-1100</b> Gearshift Controls and Related Parts	<b>021DEC-1200</b> Mounting and Skid Plate	
--	--	---	--

**Transmission / Transaxle Assembly  
Figure 021DEC-105**

ITEM	PART NUMBER	QTY	LINE	SERIES	BODY	ENGINE	TRANS	TRIM	DESCRIPTION
1	05038008AC	1	D				DEC		TRANSMISSION



**VIPER (ZB)**

SERIES  
S = SPORT  
X = SPECIAL

LINE  
D = DODGE

BODY  
29 = SPECIALTY COUPE  
27 = 2-DR CONVERTIBLE

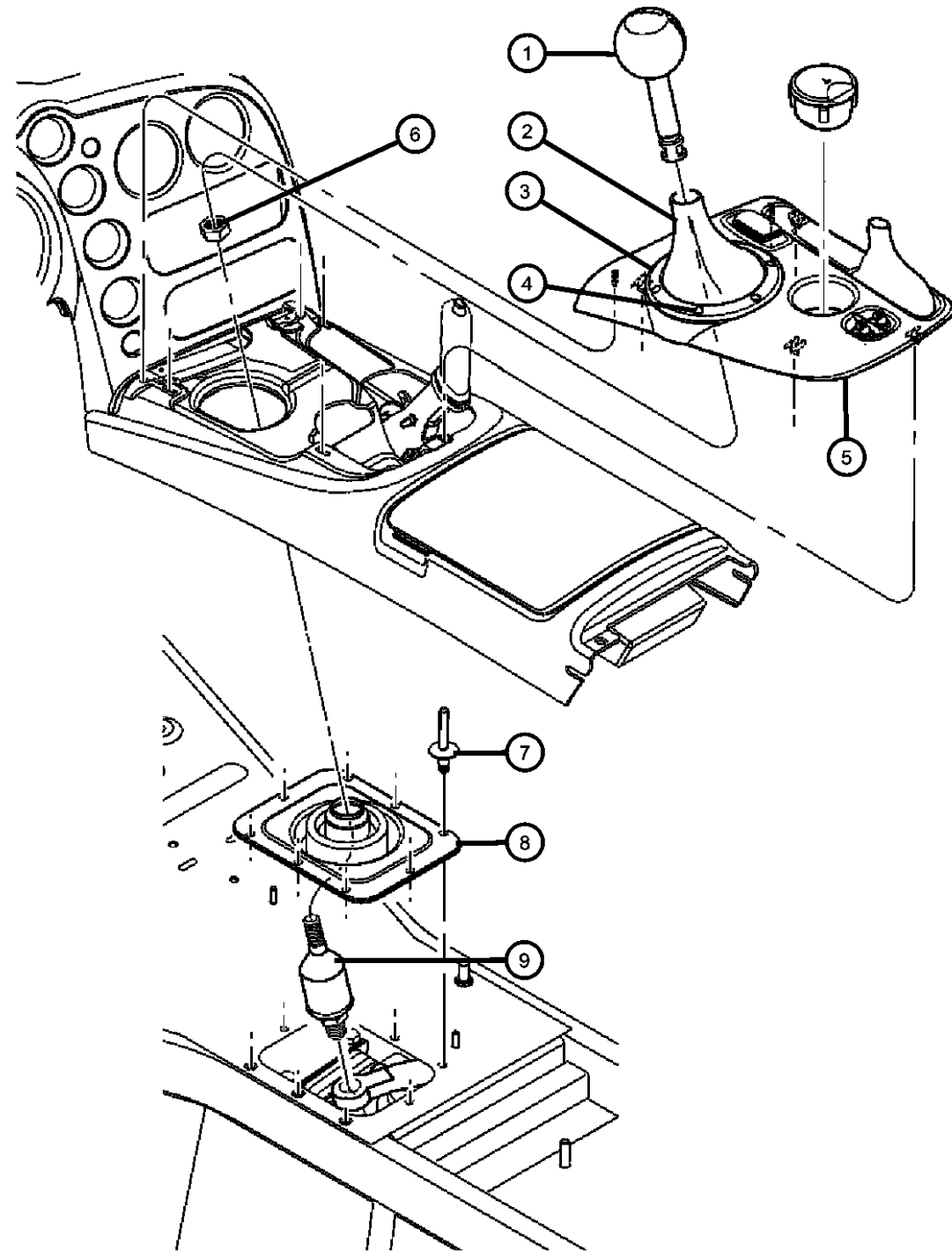
ENGINE  
EWE = 8.4L V10 SFI Engine

TRANSMISSION  
DEC = 6-Speed Manual Transmission

AR = use ase required - = Non illustrated part

2008 ZB

**Gear Shift Boot, Knob and Bezel**  
**Figure 021DEC-1110**



ITEM	PART NUMBER	QTY	LINE	SERIES	BODY	ENGINE	TRANS	TRIM	DESCRIPTION
1									KNOB, Gearshift
	0SG081D5AA	1	D						With Color Code [X5]
	0SG081R1AA	1	D						With Color Code [XR]
	0SG081U4AA	1	D						With Color Code [XU]
	0SG081X9AA	1	D						With Color Code [X9]
	0SG081XBAA	1	D						With Color Code [XB]
2	0XP191X9AA	1	D						BOOT, Gearshift
3	05093230AA	1	D						RING, Gearshift Boot, Mounting
4	05093298AA	1	D						SCREW, Cap, Gearshift Boot, Mounting
5									BEZEL, Console Shifter
	0XP181BNAA	1	D						With Color Code [XB]
	0XP181U4AA	1	D						With Color Code [XU]
	0XP181X9AA	1	D						With Color Code [X9]
	0XP181XRAA	1	D						With Color Code [XR]
	0XP181D5AA	1	D						With Color Code [X5]
6	00124934	1	D						NUT, Hex Jam, .50-20, Shift Knob to Shift Lever Isolator, Mounting
7	00124934	1							RIVET, [.250X.367], (NOT SERVICED)
8	05037319AA	1	D						BOOT, GearshiftLower
9	04709410	1	D						ISOLATOR, Shift Lever

**VIPER (ZB)**

SERIES	LINE	BODY	ENGINE	TRANSMISSION
S = SPORT	D = DODGE	29 = SPECIALTY COUPE	EWE = 8.4L V10 SFI Engine	DEC = 6-Speed Manual Transmission
X = SPECIAL		27 = 2-DR CONVERTIBLE		

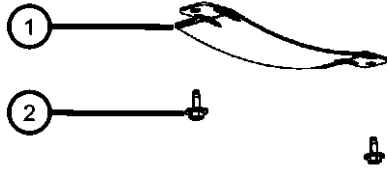
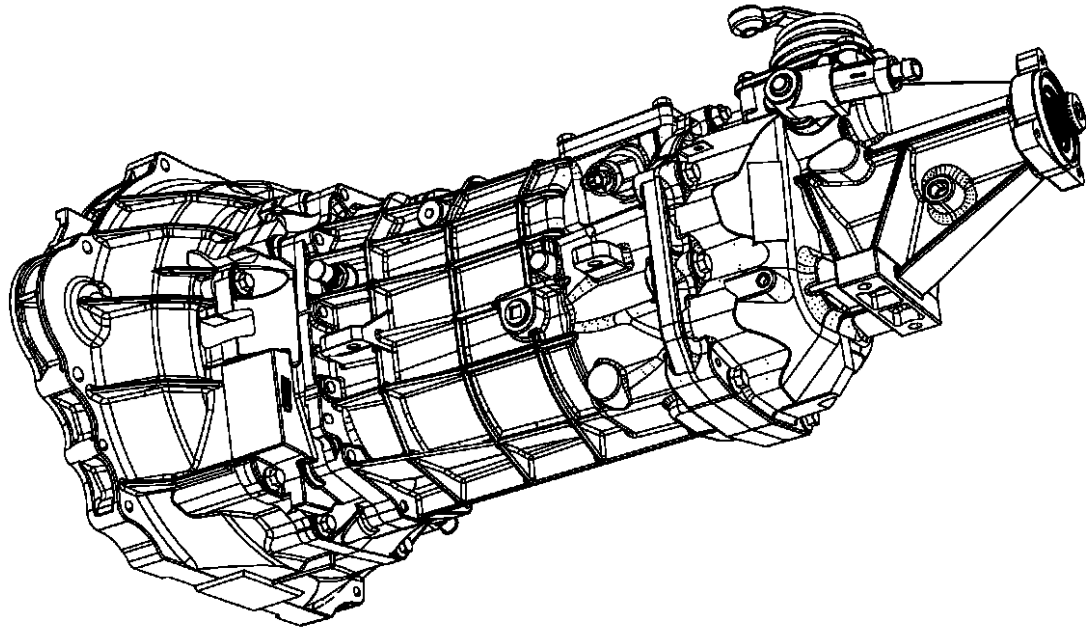
AR = use ase required - = Non illustrated part

2008 ZB



**Mounting Covers And Shields  
Figure 021DEC-1205**

ITEM	PART NUMBER	QTY	LINE	SERIES	BODY	ENGINE	TRANS	TRIM	DESCRIPTION
1	05037330AD	1	D						SHIELD, Clutch Housing Dust
2	05037330AD	1							SCREW AND WASHER, M6x1x18.50, (NOT SERVICED)



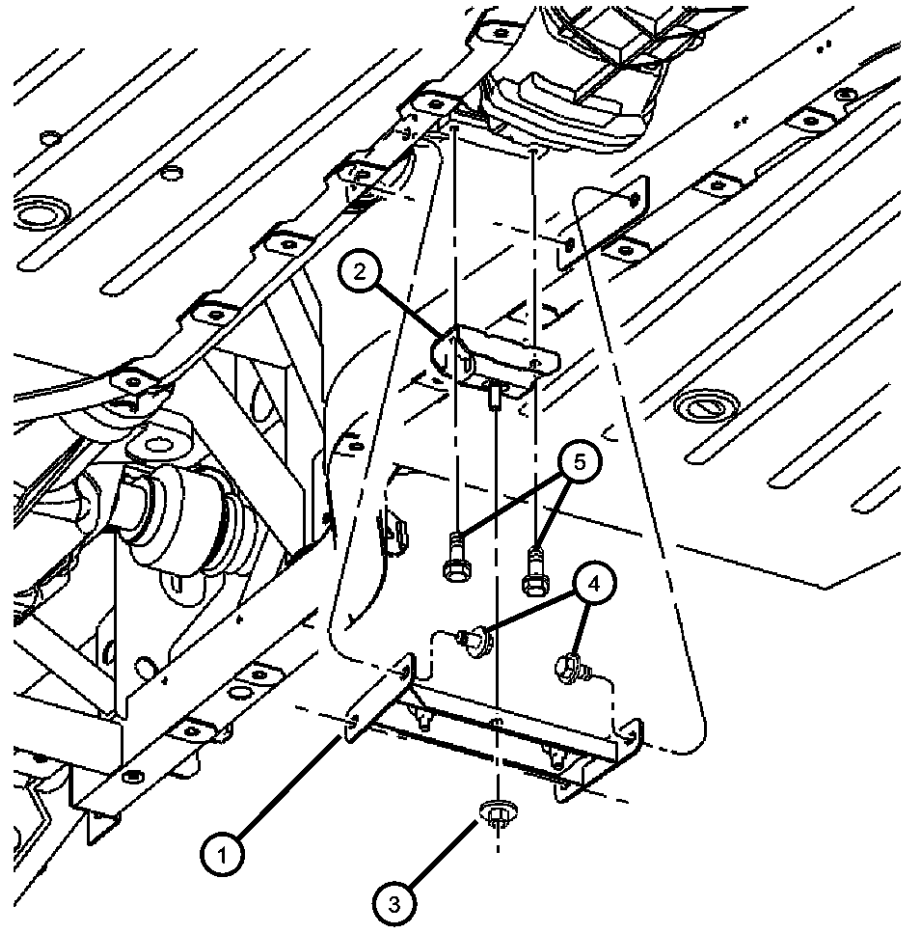
**VIPER (ZB)**  
 SERIES            LINE                            BODY                            ENGINE                            TRANSMISSION  
 S = SPORT        D = DODGE                    29 = SPECIALTY COUPE        EWE = 8.4L V10 SFI Engine    DEC = 6-Speed Manual Transmission  
 X = SPECIAL

AR = use ase required    - = Non illustrated part

2008 ZB

**Structural Collar  
Figure 021DEC-1210**

ITEM	PART NUMBER	QTY	LINE	SERIES	BODY	ENGINE	TRANS	TRIM	DESCRIPTION
1	05037263AB	1	D						CROSSMEMBER, Transmission
2	04643318AB	1	D						ISOLATOR, Transmission Mount
3	06101761	2	D						NUT, Coned Washer, M10 x 1.50
4	06101058	4	D						BOLT AND WASHER, Hex Head, M10x1.50x20
5	06501596	2	D						SCREW AND WASHER, Hex Head, M10x1.5x45



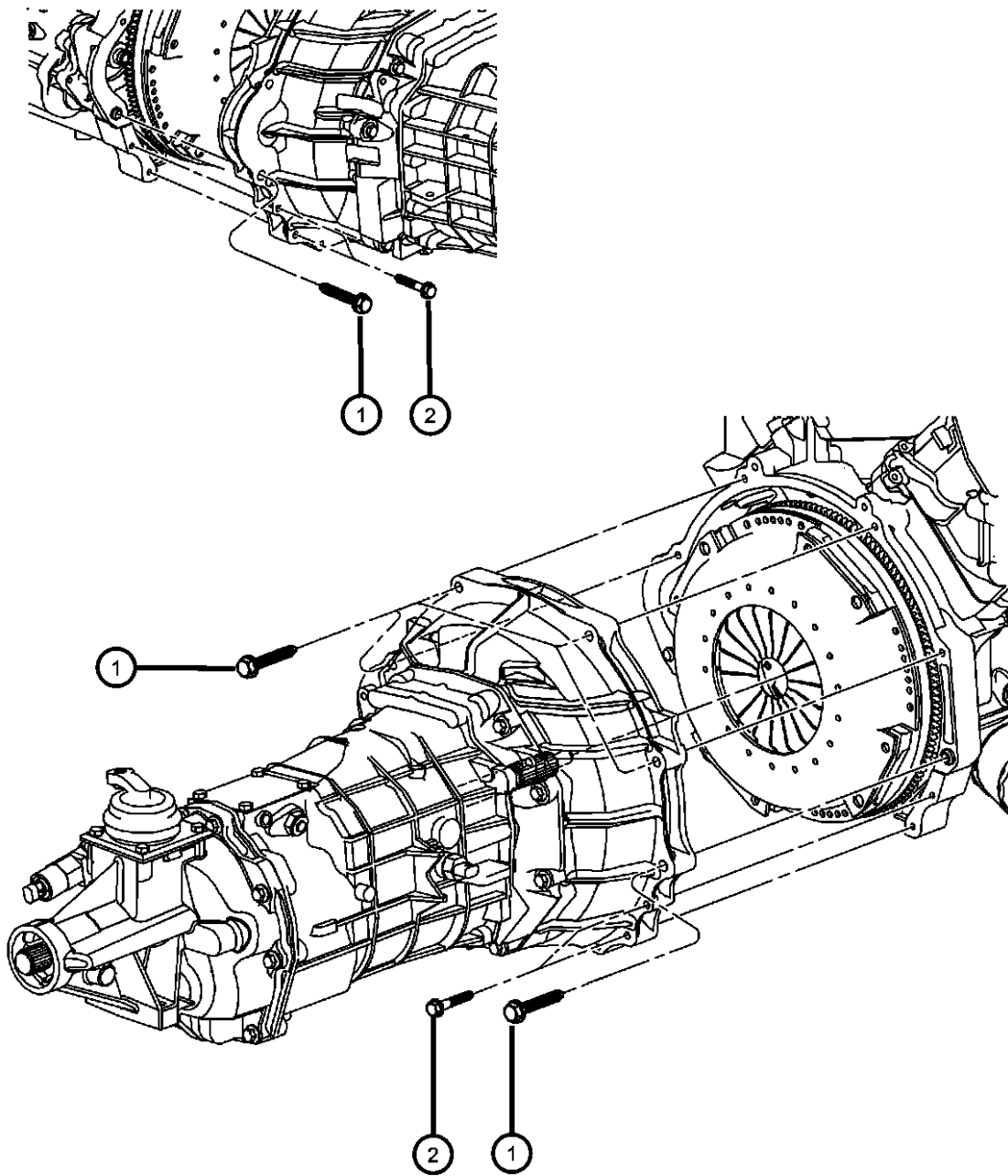
**VIPER (ZB)**

SERIES	LINE	BODY	ENGINE	TRANSMISSION
S = SPORT	D = DODGE	29 = SPECIALTY COUPE	EWE = 8.4L V10 SFI Engine	DEC = 6-Speed Manual Transmission
X = SPECIAL		27 = 2-DR CONVERTIBLE		

AR = use ase required - = Non illustrated part

**Mounting Bolts**  
**Figure 021DEC-1215**

ITEM	PART NUMBER	QTY	LINE	SERIES	BODY	ENGINE	TRANS	TRIM	DESCRIPTION
1	06102381AA	6	D						BOLT, Hex Flange Head, M10X1.50X62.00
2	06101743	4	D						SCREW, M8X1.25X60.00



**VIPER (ZB)**

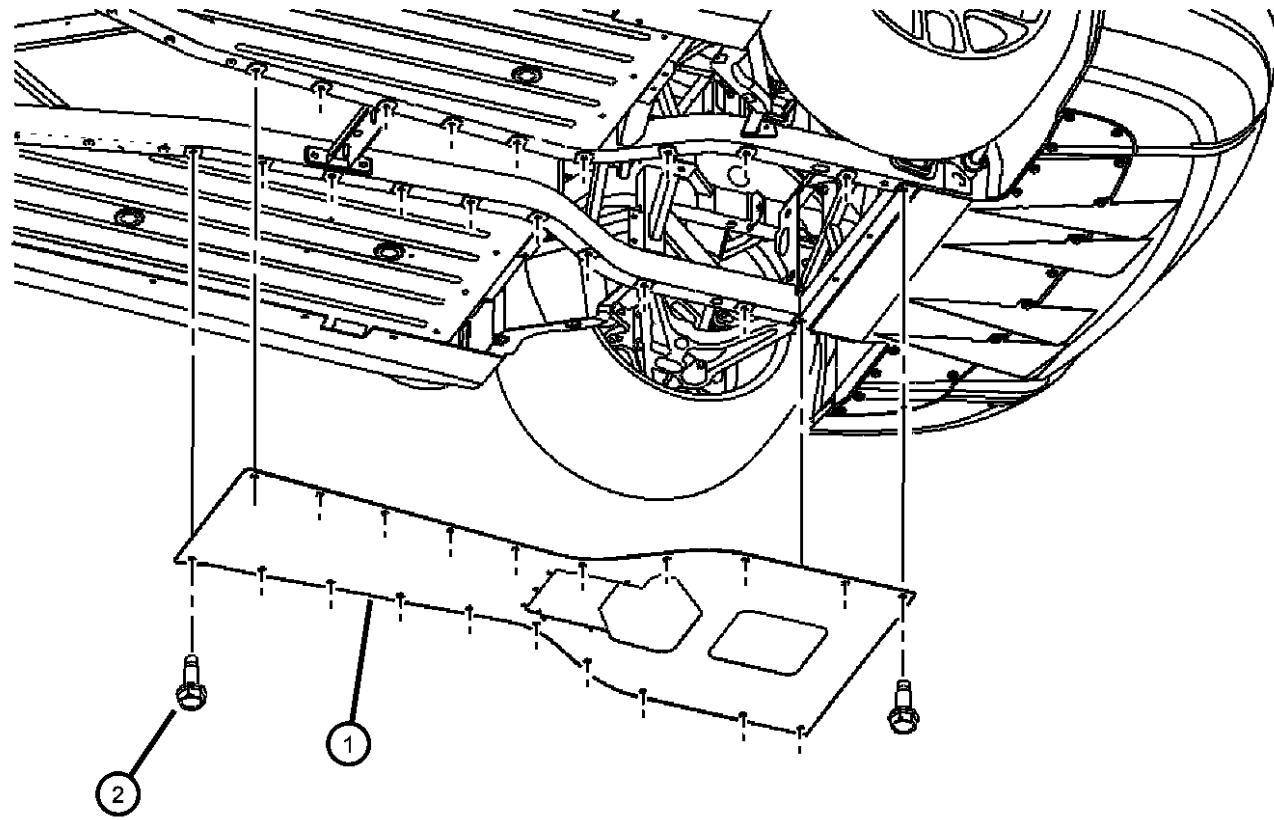
SERIES	LINE	BODY	ENGINE	TRANSMISSION
S = SPORT	D = DODGE	29 = SPECIALTY COUPE	EWE = 8.4L V10 SFI Engine	DEC = 6-Speed Manual Transmission
X = SPECIAL		27 = 2-DR CONVERTIBLE		

AR = use ase required - = Non illustrated part

2008 ZB

**Skid Plate**  
**Figure 021DEC-1220**

ITEM	PART NUMBER	QTY	LINE	SERIES	BODY	ENGINE	TRANS	TRIM	DESCRIPTION
1	05290078AI	1	D						BELLY PAN, Rear
2	06505070AA	20	D						SCREW, Pan Head



**VIPER (ZB)**  
 SERIES  
 S = SPORT  
 X = SPECIAL

LINE  
 D = DODGE

BODY  
 29 = SPECIALTY COUPE  
 27 = 2-DR CONVERTIBLE

ENGINE  
 EWE = 8.4L V10 SFI Engine

TRANSMISSION  
 DEC = 6-Speed Manual Transmission

AR = use ase required - = Non illustrated part

# Group - 22

## Wheels

### Group - 22 Wheels

Illustration Title

Group-Fig. No.

#### **Wheels, Tires and Hardware**

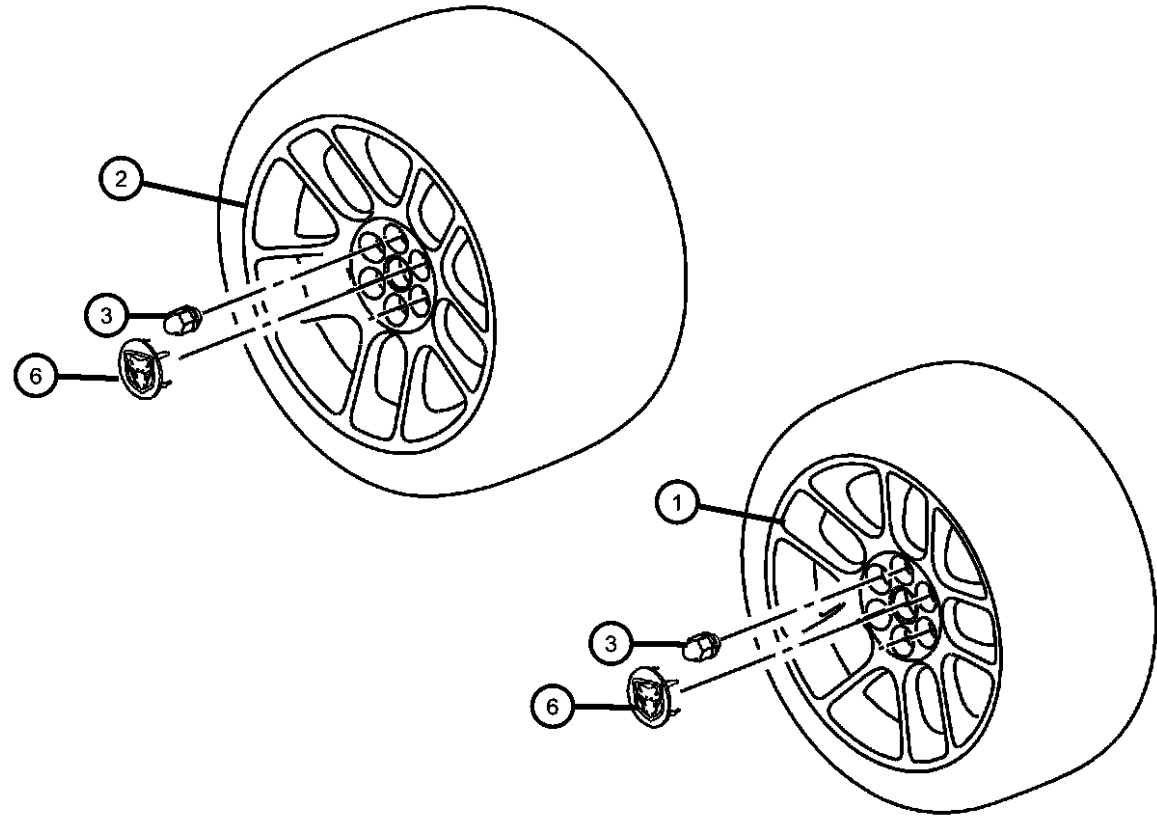
Wheels and Hardware .....Fig. 22 - 105

#### **Wheel Covers and Center Caps**

Wheel Covers and Center Caps .....Fig. 22 - 205

<b>022-100</b> Wheels, Tires and Hardware	<b>022-200</b> Wheel Covers and Center Caps		
--	--	--	--

**Wheels and Hardware**  
**Figure 22-105**



ITEM	PART NUMBER	QTY	LINE	SERIES	BODY	ENGINE	TRANS	TRIM	DESCRIPTION
------	-------------	-----	------	--------	------	--------	-------	------	-------------

NOTES: Sales Codes:  
 [WPH] = 18x7.5 19x9.0 Aluminum Wheel  
 [WPS] = 18x10.0 Aluminum Wheel  
 [WP6] = 18x10.0 19x13.0 Aluminum Polished Wheel  
 [WP7] = 18x10.0 19x13.0 Aluminum Polished Wheel

1									WHEEL, Front
	05181333AA	1	D		27, 29				[WPS] 18x10.0 Aluminum Wheel
	05290863AA	1	D		27, 29				[WP7] 18x10.0 Aluminum Polished Wheel
	05290866AA	1	D		27, 29				[WP6] 18x10.0 Aluminum Polished Wheel
2									WHEEL, Rear
	05181334AA	1	D		27, 29				[WPS] 19x13.0 Aluminum Wheel
	05290867AA	1	D		27, 29				[WP7] 19x13.0 Aluminum Polished Wheel
	05290868AA	1	D		27, 29				[WP6] 19x13.0 Aluminum Polished Wheel
3	06036310AA	24	D		27, 29				NUT, Wheel, .50x20, Chrome
-4	52088990AC	1	D		27, 29				SENSOR, Tire Pressure, Valve stem
-5	52088961AA	1	D		27, 29				NUT, Tire Pressure Sensor
6									CAP, Wheel Center
	0TW94XZAAA	4	D		27, 29				[WPH] 18x7.5 19x9.0 Aluminum Wheel
		4	D		27, 29				[WP6] 18x10.0 19x13.0 Aluminum Polished Wheel
		4	D		27, 29				[WP7] 18x10.0 19x13.0 Aluminum Polished Wheel
		4	D		27, 29				[WPS] 18x10.0 19x13.0 Aluminum Wheel

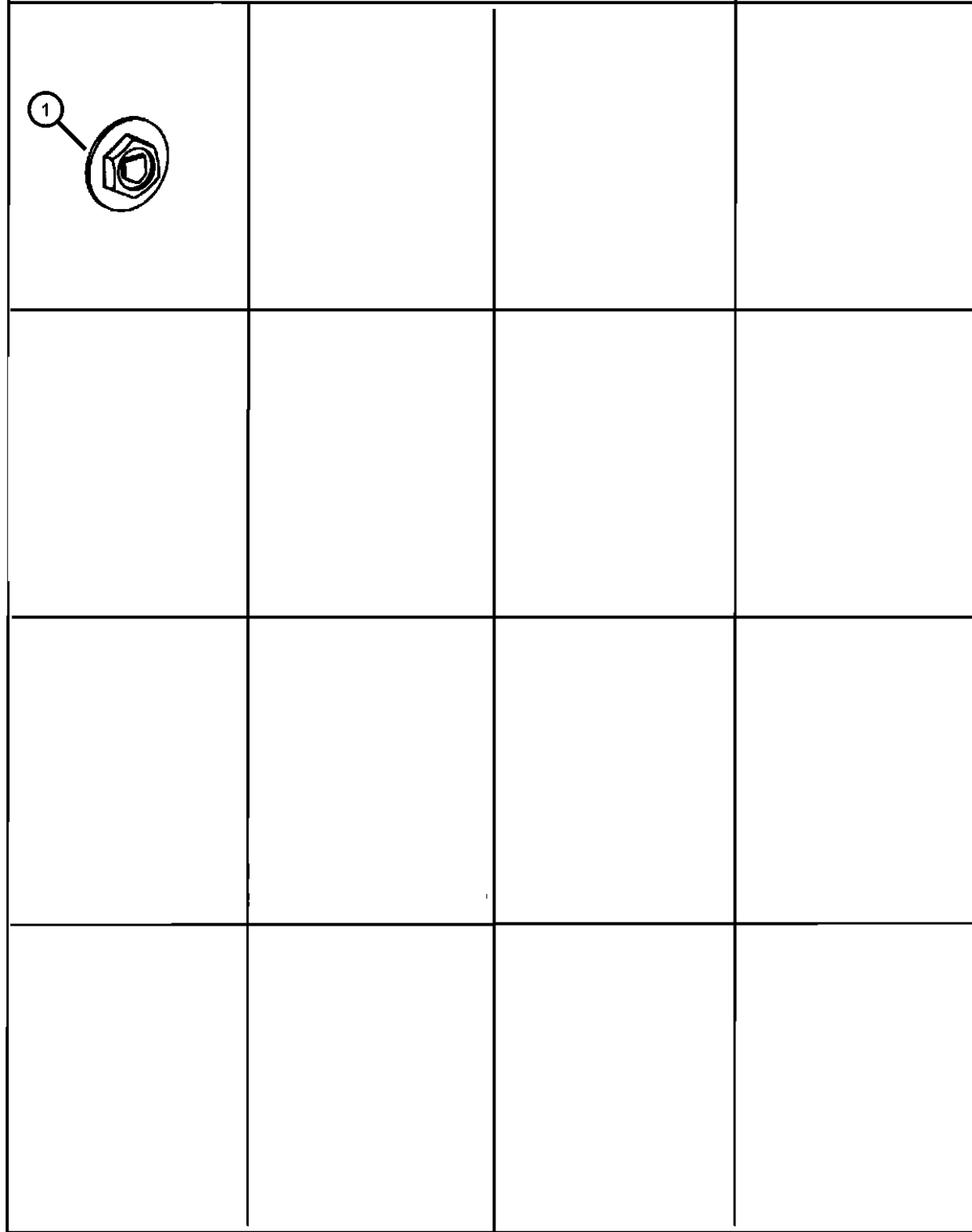
**VIPER (ZB)**

SERIES	LINE	BODY	ENGINE	TRANSMISSION
S = SPORT	D = DODGE	29 = SPECIALTY COUPE	EWE = 8.4L V10 SFI Engine	DEC = 6-Speed Manual Transmission
X = SPECIAL		27 = 2-DR CONVERTIBLE		

AR = use ase required - = Non illustrated part

2008 ZB

Wheel Covers and Center Caps  
Figure 22-205



ITEM	PART NUMBER	QTY	LINE	SERIES	BODY	ENGINE	TRANS	TRIM	DESCRIPTION
------	-------------	-----	------	--------	------	--------	-------	------	-------------

NOTE: Sales Codes:  
[WPS] = 18X10.0 19X13.0 ALUMINUM WHEELS

1									CAP, Wheel Center
	0TW94XZAAA	4	D		27, 29				[WPH] 18x7.5 19x9.0 Aluminum Wheel
		4	D		27, 29				[WP6] 18x10.0 19x13.0 Aluminum Polished Wheel
		4	D		27, 29				[WP7] 18x10.0 19x13.0 Aluminum Polished Wheel

**VIPER (ZB)**  
 SERIES                      LINE                                      BODY                                      ENGINE                                      TRANSMISSION  
 S = SPORT                  D = DODGE                              29 = SPECIALTY COUPE              EWE = 8.4L V10 SFI Engine      DEC = 6-Speed Manual Transmission  
 X = SPECIAL    27 = 2-DR CONVERTIBLE

AR = use ase required - = Non illustrated part

# Group - 23

## Wiper/Washers-Miscellaneous

### Group - 23 Wiper/Washers-Miscellaneous

Illustration Title

Group-Fig. No.

#### Lock Cylinders and Keys

Keys and Transmitters .....	Fig. 23 - 105
Ignition Lock Cylinders .....	Fig. 23 - 110
Door Lock Cylinders .....	Fig. 23 - 115
Glove Box Cylinder .....	Fig. 23 - 120
Deck Lid Lock Cylinder .....	Fig. 23 - 125

#### Windshield Wiper and Washer System

Front Wiper System .....	Fig. 23 - 205
Front Washer System .....	Fig. 23 - 210

<b>023-100</b> Lock Cylinders and Keys	<b>023-200</b> Windshield Wiper and Washer System		
---	--	--	--

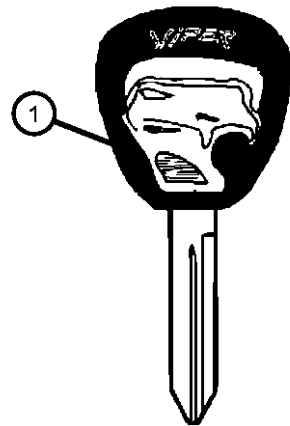


**Keys and Transmitters**  
**Figure 23-105**

ITEM	PART NUMBER	QTY	LINE	SERIES	BODY	ENGINE	TRANS	TRIM	DESCRIPTION
------	-------------	-----	------	--------	------	--------	-------	------	-------------

NOTE: All Lock Cylinders are Uncoded

1	05102103AA	1	D		27, 29				KEY, Blank
---	------------	---	---	--	--------	--	--	--	------------



**VIPER (ZB)**

SERIES

S = SPORT  
 X = SPECIAL

LINE

D = DODGE

BODY

29 = SPECIALTY COUPE  
 27 = 2-DR CONVERTIBLE

ENGINE

EWE = 8.4L V10 SFI Engine

TRANSMISSION

DEC = 6-Speed Manual Transmission

AR = use ase required - = Non illustrated part

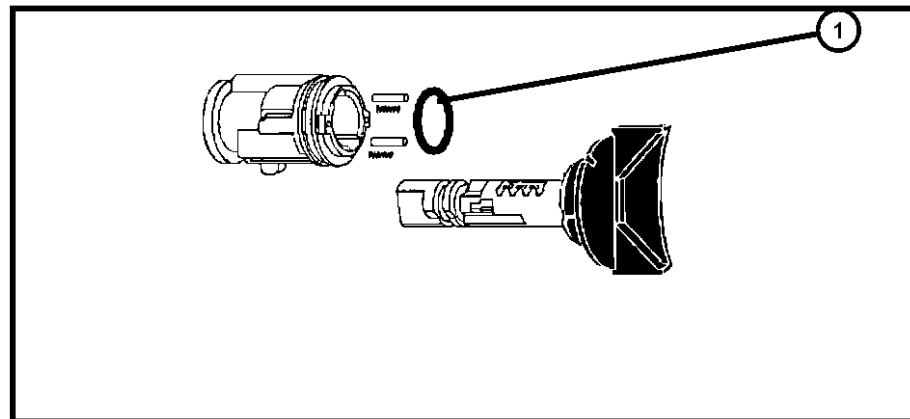
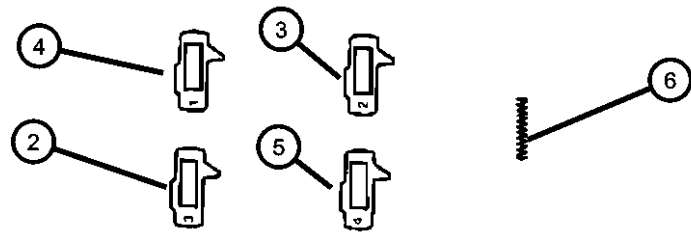
2008 ZB

**Ignition Lock Cylinders**  
**Figure 23-110**

ITEM	PART NUMBER	QTY	LINE	SERIES	BODY	ENGINE	TRANS	TRIM	DESCRIPTION
------	-------------	-----	------	--------	------	--------	-------	------	-------------

NOTE: All Lock Cylinders are Uncoded

1	05083915AB	1	D		27, 29				CYLINDER, Ignition Lock
2	05010879AB	1	D		27, 29				TUMBLER, Ignition Number 1, Sidebar
3	05010880AB	1	D		27, 29				TUMBLER, Ignition Number 2, Sidebar
4	05010881AB	1	D		27, 29				TUMBLER, Ignition Number 3, Sidebar
5	05010882AB	1	D		27, 29				TUMBLER, Ignition Number 4, Sidebar
6	05010883AB	1	D		27, 29				SPRING, Ignition Tumbler, Sidebar



**VIPER (ZB)**

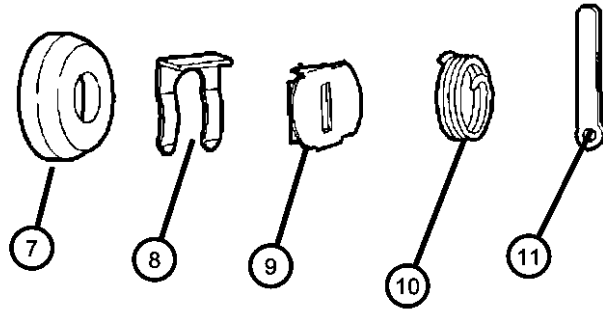
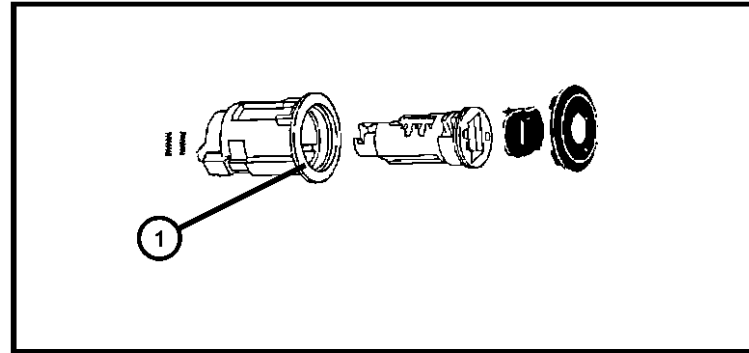
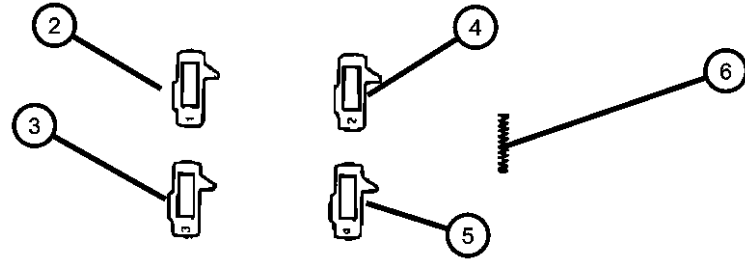
SERIES	LINE	BODY	ENGINE	TRANSMISSION
S = SPORT	D = DODGE	29 = SPECIALTY COUPE	EWE = 8.4L V10 SFI Engine	DEC = 6-Speed Manual Transmission
X = SPECIAL		27 = 2-DR CONVERTIBLE		

AR = use ase required - = Non illustrated part

2008 ZB

**Door Lock Cylinders**  
**Figure 23-115**

ITEM	PART NUMBER	QTY	LINE	SERIES	BODY	ENGINE	TRANS	TRIM	DESCRIPTION
NOTE: All Lock Cylinders are Uncoded 4671793 13111									
16	SHUTTER, Lock Cylinder,			4671811	24271				
17	SHUTTER, Lock Cylinder,			4671812	24271				
18	SPRING, Cylinder Return,			4671814	12118				
19	LEVER, Deck Lid Lock Cylinder,			4671794	6295				
20	LEVER, ,			4671813	6280				
21	BRACKET, Key Cylinder,			4671815	27166				
1	05086729AA	1	D		27, 29				CYLINDER, Door Lock
2	04778117AB	1	D		27, 29				TUMBLER, Number 1, Wide
3	04778118AB	1	D		27, 29				TUMBLER, Number 2, Wide
4	04778119AB	1	D		27, 29				TUMBLER, Number 3, Wide
5	04778120AB	1	D		27, 29				TUMBLER, Number 4, Wide
6	04778121	1	D		27, 29				SPRING, Lock Cylinder Tumbler
7	04778149	1	D		27, 29				CAP, Door Lock Cylinder, Bright
8	05086733AA	1	D		27, 29				CLIP, Latch
9	05019605AA	1	D		27, 29				SHUTTER, Lock Cylinder
10	04378793	1	D		27, 29				SPRING, Cylinder Return
11	05086732AA	1	D		27, 29				LEVER
-12	04685841AB	1	D		27, 29				SWITCH, Door Lock



**VIPER (ZB)**

SERIES	LINE	BODY	ENGINE	TRANSMISSION
S = SPORT	D = DODGE	29 = SPECIALTY COUPE	EWE = 8.4L V10 SFI Engine	DEC = 6-Speed Manual Transmission
X = SPECIAL		27 = 2-DR CONVERTIBLE		

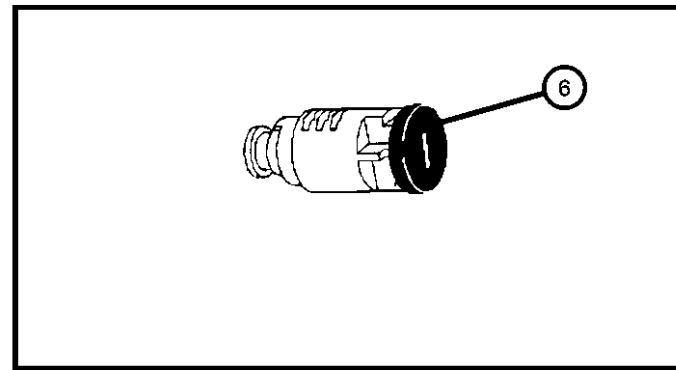
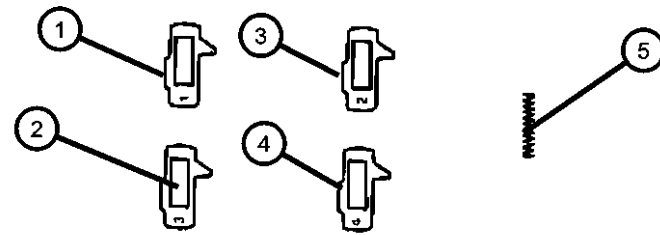
AR = use ase required - = Non illustrated part

**Glove Box Cylinder  
Figure 23-120**

ITEM	PART NUMBER	QTY	LINE	SERIES	BODY	ENGINE	TRANS	TRIM	DESCRIPTION
------	-------------	-----	------	--------	------	--------	-------	------	-------------

NOTE: All Lock Cylinders are Uncoded

1	05257132AB	1	D		27, 29				TUMBLER, Number 1
2	05257133AB	1	D		27, 29				TUMBLER, Number 2
3	05257134AB	1	D		27, 29				TUMBLER, Number 3
4	05257135AB	1	D		27, 29				TUMBLER, Number 4
5	04746873	1	D		27, 29				SPRING, Lock Cylinder Tumbler
6	04778448	1	D		27, 29				CYLINDER, Glove Box Lock



**VIPER (ZB)**

SERIES	LINE	BODY	ENGINE	TRANSMISSION
S = SPORT	D = DODGE	29 = SPECIALTY COUPE	EWE = 8.4L V10 SFI Engine	DEC = 6-Speed Manual Transmission
X = SPECIAL		27 = 2-DR CONVERTIBLE		

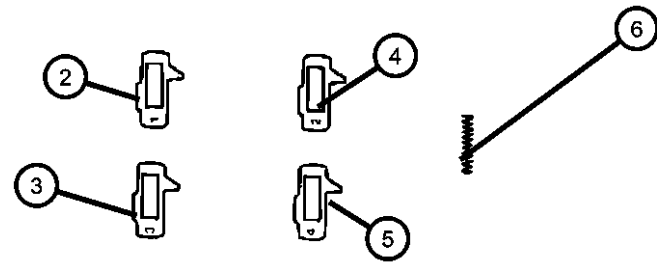
AR = use ase required - = Non illustrated part

2008 ZB

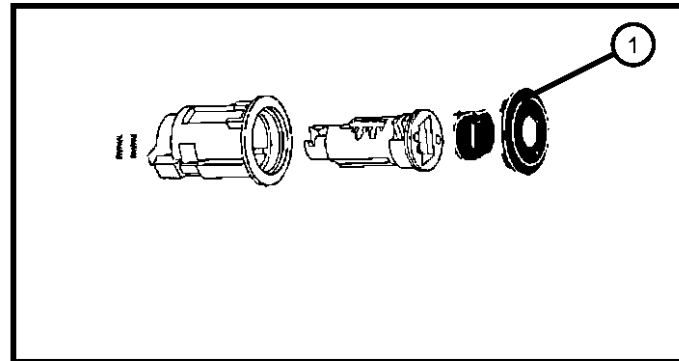
**Deck Lid Lock Cylinder  
Figure 23-125**

ITEM	PART NUMBER	QTY	LINE	SERIES	BODY	ENGINE	TRANS	TRIM	DESCRIPTION
------	-------------	-----	------	--------	------	--------	-------	------	-------------

NOTE: All Lock Cylinders are Uncoded



1	04778147	1	D		27, 29				CYLINDER, Deck Lid Lock
2	04778117AB	1	D		27, 29				TUMBLER, Number 1, Wide
3	04778118AB	1	D		27, 29				TUMBLER, Number 2, Wide
4	04778119AB	1	D		27, 29				TUMBLER, Number 3, Wide
5	04778120AB	1	D		27, 29				TUMBLER, Number 4, Wide
6	04778121	1	D		27, 29				SPRING, Lock Cylinder Tumbler
7	04723494	1	D		27, 29				LEVER, Deck Lid Lock Cylinder
-8	05257245	1	D		27, 29				SPRING, Deck Lid Return



**VIPER (ZB)**

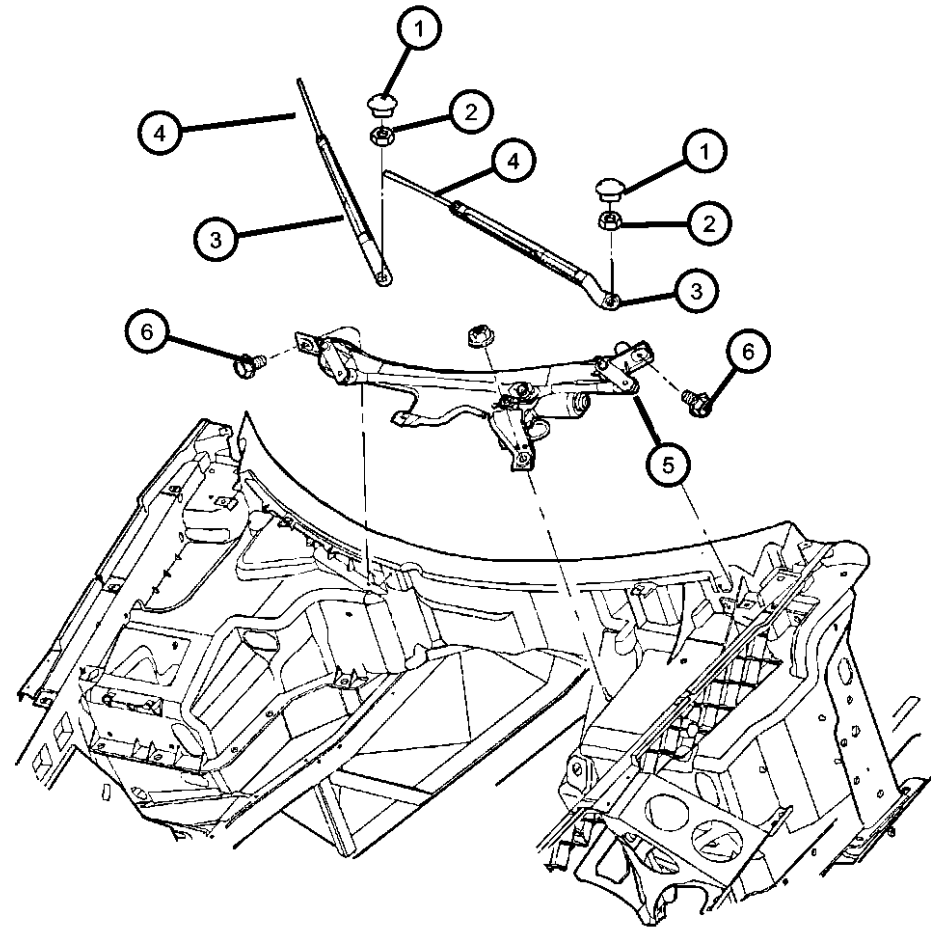
SERIES	LINE	BODY	ENGINE	TRANSMISSION
S = SPORT	D = DODGE	29 = SPECIALTY COUPE	EWE = 8.4L V10 SFI Engine	DEC = 6-Speed Manual Transmission
X = SPECIAL		27 = 2-DR CONVERTIBLE		

AR = use ase required - = Non illustrated part

2008 ZB

**Front Wiper System  
Figure 23-205**

ITEM	PART NUMBER	QTY	LINE	SERIES	BODY	ENGINE	TRANS	TRIM	DESCRIPTION
1	04389440	2	D		27, 29				CAP, Wiper Arm Nut
2									ARM, Wiper
	04865504AE	1	D		27, 29				Right
	04865505AE	1	D		27, 29				Left
3									BLADE, Wiper
	04865506AB	1	D		27, 29				Right
	04865507AB	1	D		27, 29				Left
4	04865509AD	1	D		27, 29				MODULE, Wiper
5	06503992	4	D		29				SCREW AND WASHER, Hex Head, M6x1x30
6	06503664	1	D		27, 29				NUT AND WASHER, Hex Nut-Coned Washer, M6 x 1.00



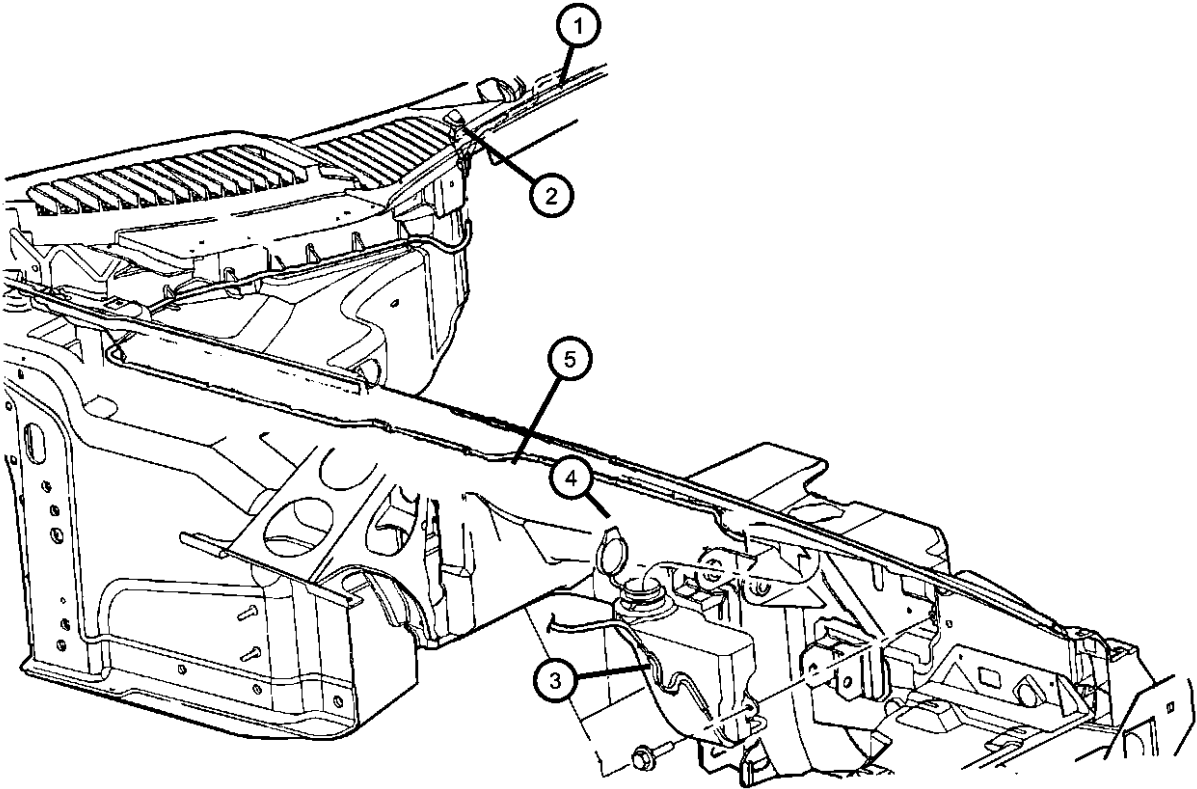
**VIPER (ZB)**

SERIES	LINE	BODY	ENGINE	TRANSMISSION
S = SPORT	D = DODGE	29 = SPECIALTY COUPE	EWE = 8.4L V10 SFI Engine	DEC = 6-Speed Manual Transmission
X = SPECIAL		27 = 2-DR CONVERTIBLE		

AR = use ase required - = Non illustrated part

**Front Washer System  
Figure 23-210**

ITEM	PART NUMBER	QTY	LINE	SERIES	BODY	ENGINE	TRANS	TRIM	DESCRIPTION
1	04865497AA	1	D		27, 29				HOSE, Windshield Washer
2	55077551AA	2	D		27, 29				NOZZLE, Washer, Windshield
3	05029173AA	1	D		27, 29				RESERVOIR, Washer
4	04630249	1	D		27, 29				CAP, Washer Reservoir
5	HWV00532AB	8	D		27, 29				HOSE 1FT, Windshield Washer, 5/32"
-6	05103452AA	1	D		27, 29				PUMP, Washer, Windshield
-7	05011809AA	1	D		27, 29				GROMMET, Windshield Washer Pump
-8	04865497AA	1	D		27, 29				HOSE, Windshield Washer



**VIPER (ZB)**  
 SERIES                      LINE                                      BODY                                      ENGINE                                      TRANSMISSION  
 S = SPORT                      D = DODGE                                      29 = SPECIALTY COUPE                      EWE = 8.4L V10 SFI Engine                      DEC = 6-Speed Manual Transmission  
 X = SPECIAL

AR = use ase required - = Non illustrated part

# Group - 24

## Air Conditioners and Heaters

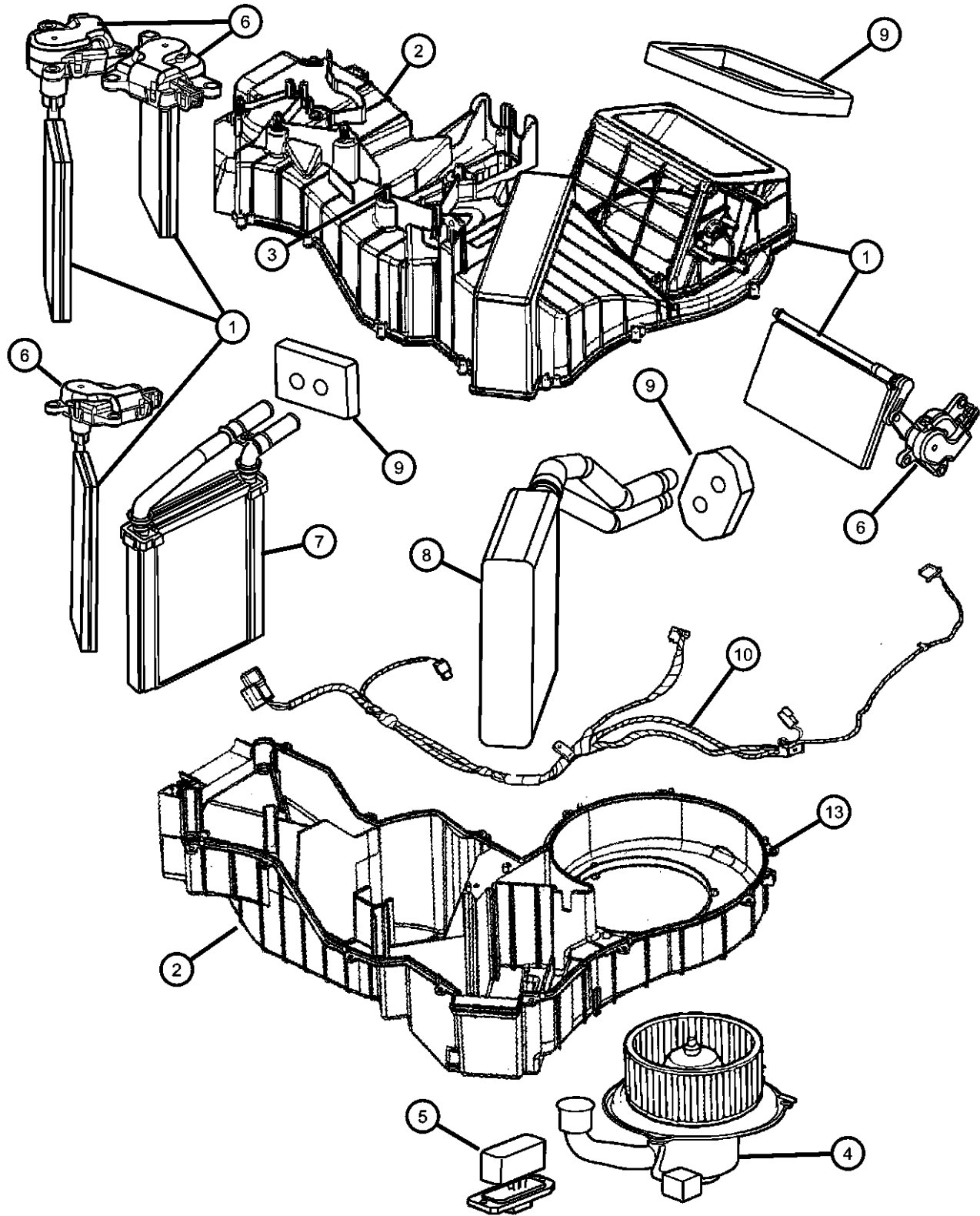
### Group - 24 Air Conditioners and Heaters

Illustration Title	Group-Fig. No.
<b>Air Conditioner and Heater Units</b>	
A/C and Heater Unit.....	Fig. 24 - 120
<b>Air Conditioner and Heater Plumbing</b>	
Heater Plumbing .....	Fig. 24 - 205
A/C Plumbing .....	Fig. 24 - 220
<b>Air Conditioner and Heater Controls</b>	
A/C and Heater Controls.....	Fig. 24 - 310
<b>Air Conditioner Compressor and Mounting</b>	
A/C Compressor.....	Fig. 24 - 405
A/C Compressor Mounting .....	Fig. 24 - 440
<b>Air Ducts and Outlets</b>	
Ducts and Outlets .....	Fig. 24 - 505

<b>024-100</b> Air Conditioner and Heater Units	<b>024-200</b> Air Conditioner and Heater Plumbing	<b>024-300</b> Air Conditioner and Heater Controls	<b>024-400</b> Air Conditioner Compressor and Mounting
<b>024-500</b> Air Ducts and Outlets			



A/C and Heater Unit  
Figure 24-120



ITEM	PART NUMBER	QTY	LINE	SERIES	BODY	ENGINE	TRANS	TRIM	DESCRIPTION
1	05093244AA	1	D		27, 29				HOUSING, Air Inlet
2	05093237AB	1	D		27, 29				HOUSING, A/C And Heater
3	06504909AA	1	D		27, 29				STUD
4	05093248AB	1	D		27, 29				MOTOR, Blower with Wheel
5	05014212AA	1	D		27, 29				RESISTOR, Blower Motor
6	04885206AB	1	D		27, 29				ACTUATOR, A/C and Heater
7	05093247AA	1	D		27, 29				CORE, Heater
8	05093246AA	1	D		27, 29				EVAPORATOR, Air Conditioning
9	05093245AA	1	D		27, 29				SEAL KIT, A/C And Heater Unit
10	05030504AA	1	D		27, 29				WIRING, A/C and HEATER
-11	05096978AA	3	D		27, 29				NUT, Hex, M6
-12	05104821AA	1	D		27, 29				DRAIN KIT, A/C and Heater
13	04720533	1	D		27, 29				SCREW, Heater Housing
-14	02837680	1	D		27, 29				CLAMP, Blower Motor Wheel

VIPER (ZB)

SERIES  
S = SPORT  
X = SPECIAL

LINE  
D = DODGE

BODY  
29 = SPECIALTY COUPE  
27 = 2-DR CONVERTIBLE

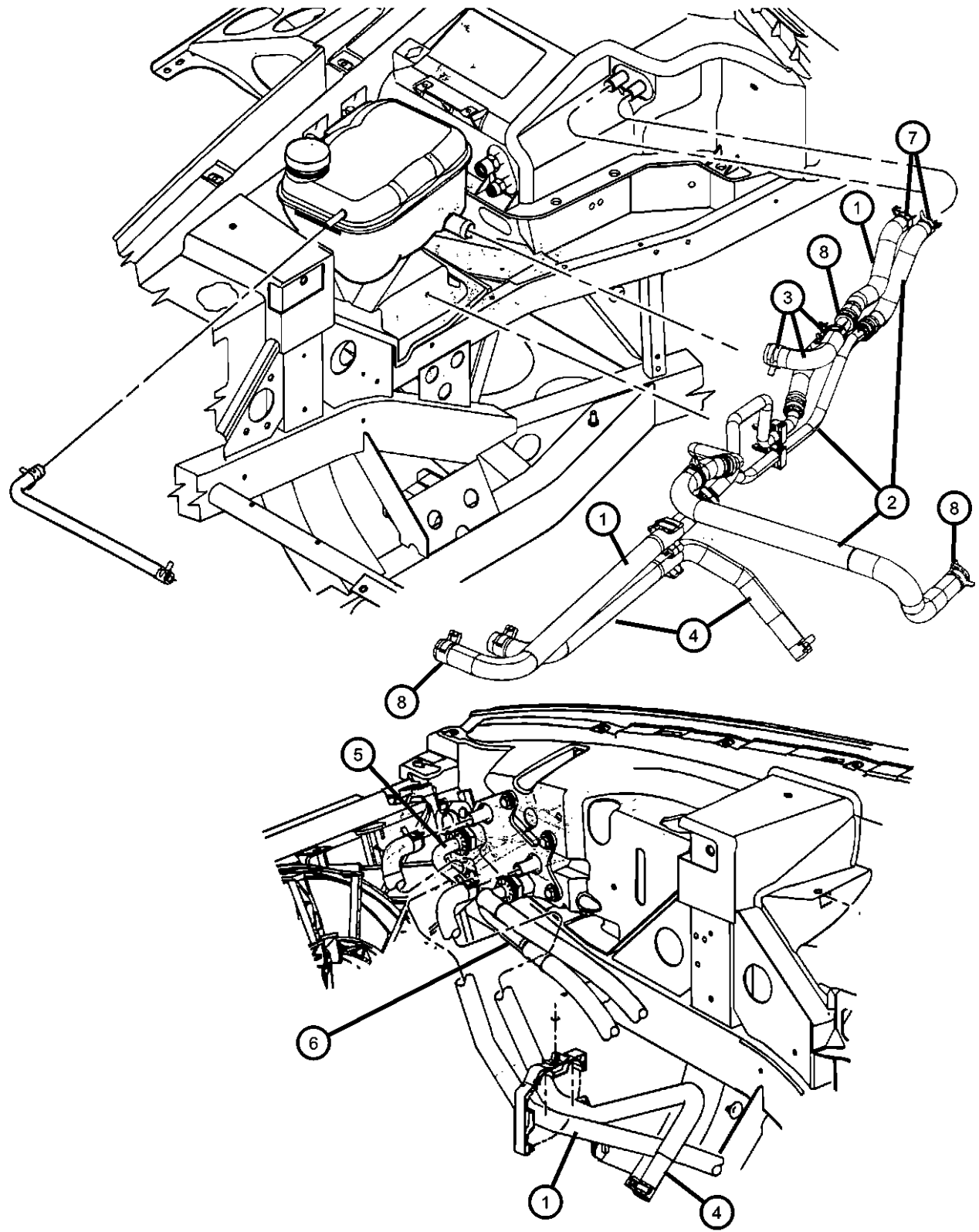
ENGINE  
EWE = 8.4L V10 SFI Engine

TRANSMISSION  
DEC = 6-Speed Manual Transmission

AR = use ase required - = Non illustrated part

2008 ZB

## Heater Plumbing Figure 24-205



ITEM	PART NUMBER	QTY	LINE	SERIES	BODY	ENGINE	TRANS	TRIM	DESCRIPTION
Sales Codes: [EWC] = 8.3L V10 SFI									
1	05030628AB	1	D		27, 29				HOSE, Heater Return
2	05030627AB	1	D		27, 29				HOSE, Heater Supply
3	05030734AB	1	D		27, 29				HOSE, Heater Return Tube to Bottle, Includes: Clamps
4	05030648AB	1	D		27, 29				HOSE, Oil Cooler Return
5	05030630AB	1	D		27, 29				LINE, Oil Cooler Outlet
6	05030631AB	1	D		27, 29				LINE, Oil Cooler Inlet
7	06502017	2	D		27, 29				CLAMP, Hose, 24X15
8	06502018	3	D		27, 29				CLAMP, Hose, 27X15

<b>VIPER (ZB)</b>				
SERIES	LINE	BODY	ENGINE	TRANSMISSION
S = SPORT	D = DODGE	29 = SPECIALTY COUPE	EWE = 8.4L V10 SFI Engine	DEC = 6-Speed Manual Transmission
X = SPECIAL		27 = 2-DR CONVERTIBLE		

AR = use ase required - = Non illustrated part

A/C Plumbing  
Figure 24-220

ITEM	PART NUMBER	QTY	LINE	SERIES	BODY	ENGINE	TRANS	TRIM	DESCRIPTION
1	05264988AF	1	D		27, 29				LINE, A/C Suction
2	05096245AA	1	D		27, 29				O RING
3	05264927AC	1	D		27, 29				LINE, A/C Discharge
4	05080519AA	1	D		27, 29				O RING, A/C Line
5	05264990AD	1	D		27, 29				ACCUMULATOR, Air Conditioning
6	05072868AA	1	D		27, 29				O RING, A/C Line
7	05264926AD	1	D		27, 29				LINE, A/C Liquid
8	05072866AA	1	D		27, 29				CAP, A/C Charge Valve
9	05072893AA	1	D		27, 29				O RING, A/C Line
10	05080520AA	1	D		27, 29				O RING, A/C Line
11	05015603AA	1	D		27, 29				O RING, A/C Line
12	05264991AC	1	D		27, 29				CONDENSER, Air Conditioning
13	05019242AA	1	D		27, 29				CAP, A/C Check Valve
14	00154910AA	3	D		27, 29				SCREW, A/C Line attach to Frame
15	05011346AA	1	D		27, 29				VALVE CORE, Service Port
16	05011346AA	1	D		27, 29				VALVE CORE, Service Port
17	05011346AA	1	D		27, 29				VALVE CORE, Service Port
18	05093080AA	1	D		27, 29				TRANSDUCER, Air Conditioning
19	05093080AA	1							CLIP, A/C Discharge Line, (NOT SERVICED)
20	05290366AA	2	D		27, 29				CLIP, A/C Line
21	05290366AA	2							SCREW AND WASHER, M6x1x18.50, (NOT SERVICED)
-22	05142933AA	1	D		27, 29				ORIFICE, Liquid Line
23	05093078AA	1	D		27, 29				CLIP, A/C Liquid Line
24	05264928AA	1	D		27, 29				LINE, A/C Suction
25	05072893AA	1	D		27, 29				O RING, A/C Line
26	05290274AB	1	D		27, 29				SWITCH, A/C Low Pressure Cut Off
27	34201358	2	D		27, 29				NUT AND WASHER, Hex Nut-Sealing Washer, M6 x 1.00, Accumulator attaching
28	06101982	2	D		27, 29				SCREW AND WASHER, Hex Head, M8x1.25x30, Line to Accumulator
29	05290273AA	1	D		27, 29				SHIELD, Heat

VIPER (ZB)

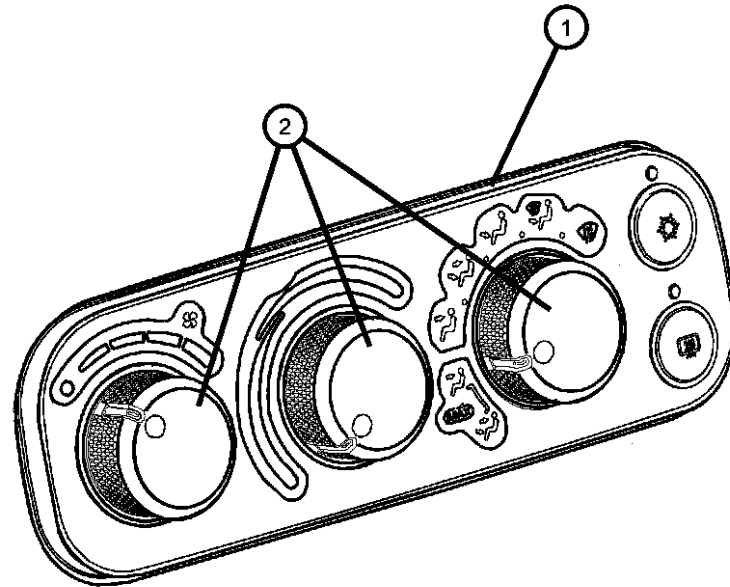
SERIES	LINE	BODY	ENGINE	TRANSMISSION
S = SPORT	D = DODGE	29 = SPECIALTY COUPE	EWE = 8.4L V10 SFI Engine	DEC = 6-Speed Manual Transmission
X = SPECIAL		27 = 2-DR CONVERTIBLE		

AR = use ase required - = Non illustrated part

2008 ZB

**A/C and Heater Controls**  
**Figure 24-310**

ITEM	PART NUMBER	QTY	LINE	SERIES	BODY	ENGINE	TRANS	TRIM	DESCRIPTION
1	04865810AD	1	D		27, 29				CONTROL, A/C And Heater
2	04865810AD	1							KNOB, A/C And Heater Control - Rotary, Only Serviced with Control, (NOT SERVICED)



**VIPER (ZB)**

SERIES	LINE	BODY	ENGINE	TRANSMISSION
S = SPORT	D = DODGE	29 = SPECIALTY COUPE	EWE = 8.4L V10 SFI Engine	DEC = 6-Speed Manual Transmission
X = SPECIAL		27 = 2-DR CONVERTIBLE		

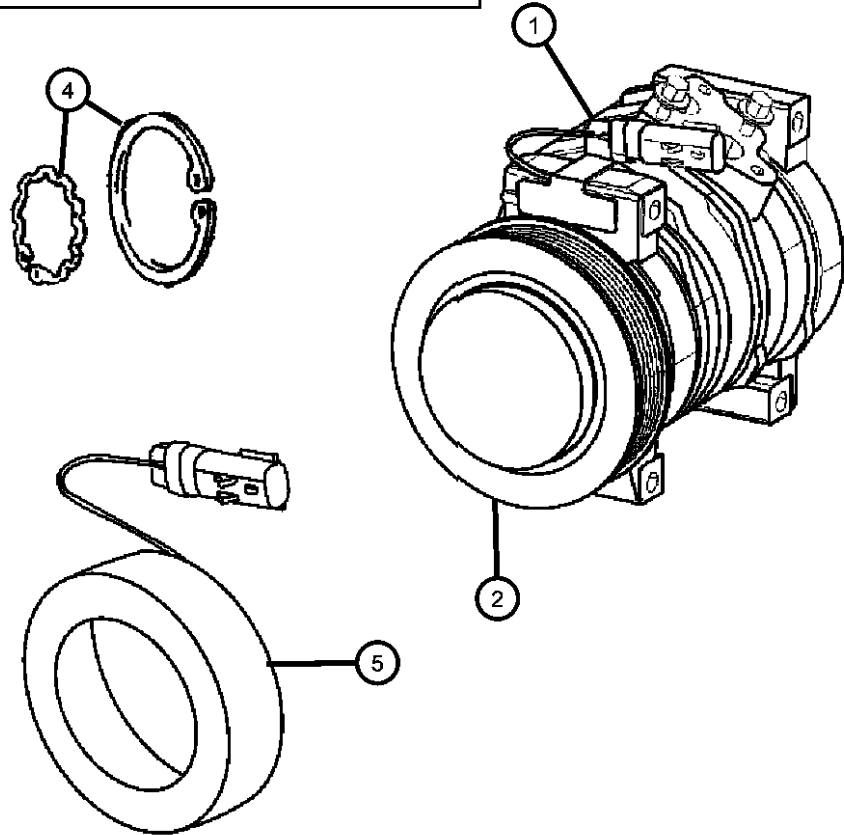
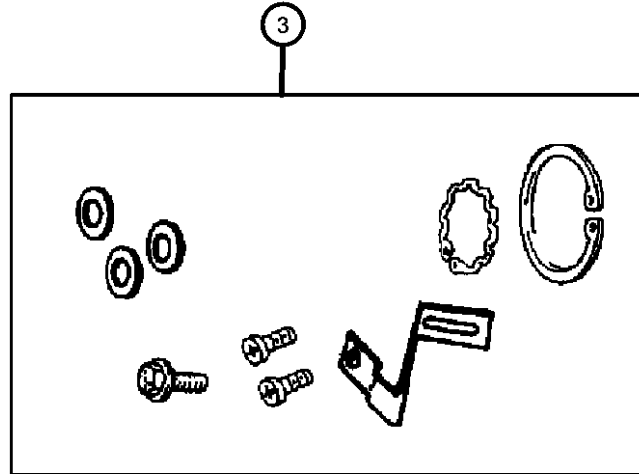
AR = use ase required - = Non illustrated part

A/C Compressor  
Figure 24-405

ITEM	PART NUMBER	QTY	LINE	SERIES	BODY	ENGINE	TRANS	TRIM	DESCRIPTION
------	-------------	-----	------	--------	------	--------	-------	------	-------------

Sales Code:  
[EWC] = 8.3L V10 SFI

1	05290012AB	1	D		27, 29	EWE			COMPRESSOR, Air Conditioning
2	05093485AA	1	D		27, 29	EWE			PULLEY HUB KIT, A/C Compressor
3	05066228AA	1	D		27, 29	EWE			CLUTCH OVERHAUL KIT, A/C Compressor
4	05264454	1	D		27, 29	EWE			SNAP RING KIT, A/C Clutch
5	05003681AA	1	D		27, 29	EWE			COIL, Air Conditioning Clutch
-6	82300102	1	D		27, 29	EWE			LUBRICANT, A/C Compressor, 250ml



VIPER (ZB)

SERIES	LINE	BODY	ENGINE	TRANSMISSION
S = SPORT	D = DODGE	29 = SPECIALTY COUPE	EWE = 8.4L V10 SFI Engine	DEC = 6-Speed Manual Transmission
X = SPECIAL		27 = 2-DR CONVERTIBLE		

AR = use ase required - = Non illustrated part

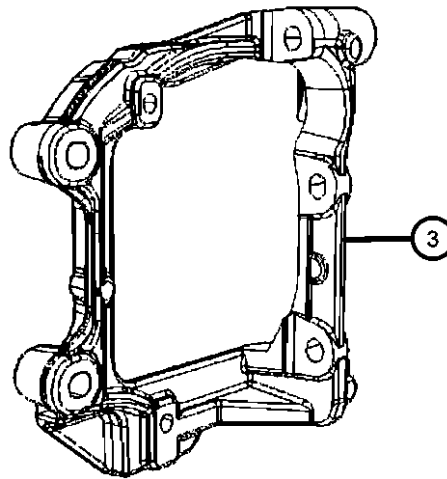
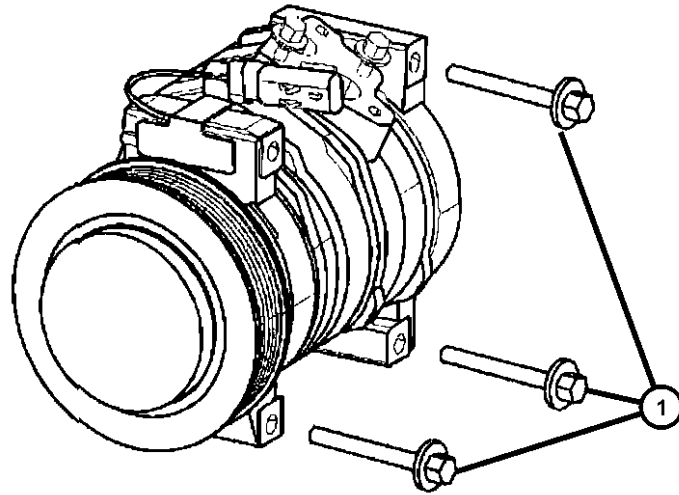
2008 ZB

**A/C Compressor Mounting  
Figure 24-440**

ITEM	PART NUMBER	QTY	LINE	SERIES	BODY	ENGINE	TRANS	TRIM	DESCRIPTION
------	-------------	-----	------	--------	------	--------	-------	------	-------------

Sales Code:  
[EWC] = 8.3L V10 SFI

1	06102184AA	4	D		27, 29	EWE			SCREW AND WASHER, Hex Head, Compressor Mounting
-2	06505482AA	2	D		27, 29	EWE			SCREW AND WASHER, Hex Head, M8x1.25x50, Bracket Mounting
3	05037834AA	1	D		27, 29	EWE			BRACKET, A/C Compressor



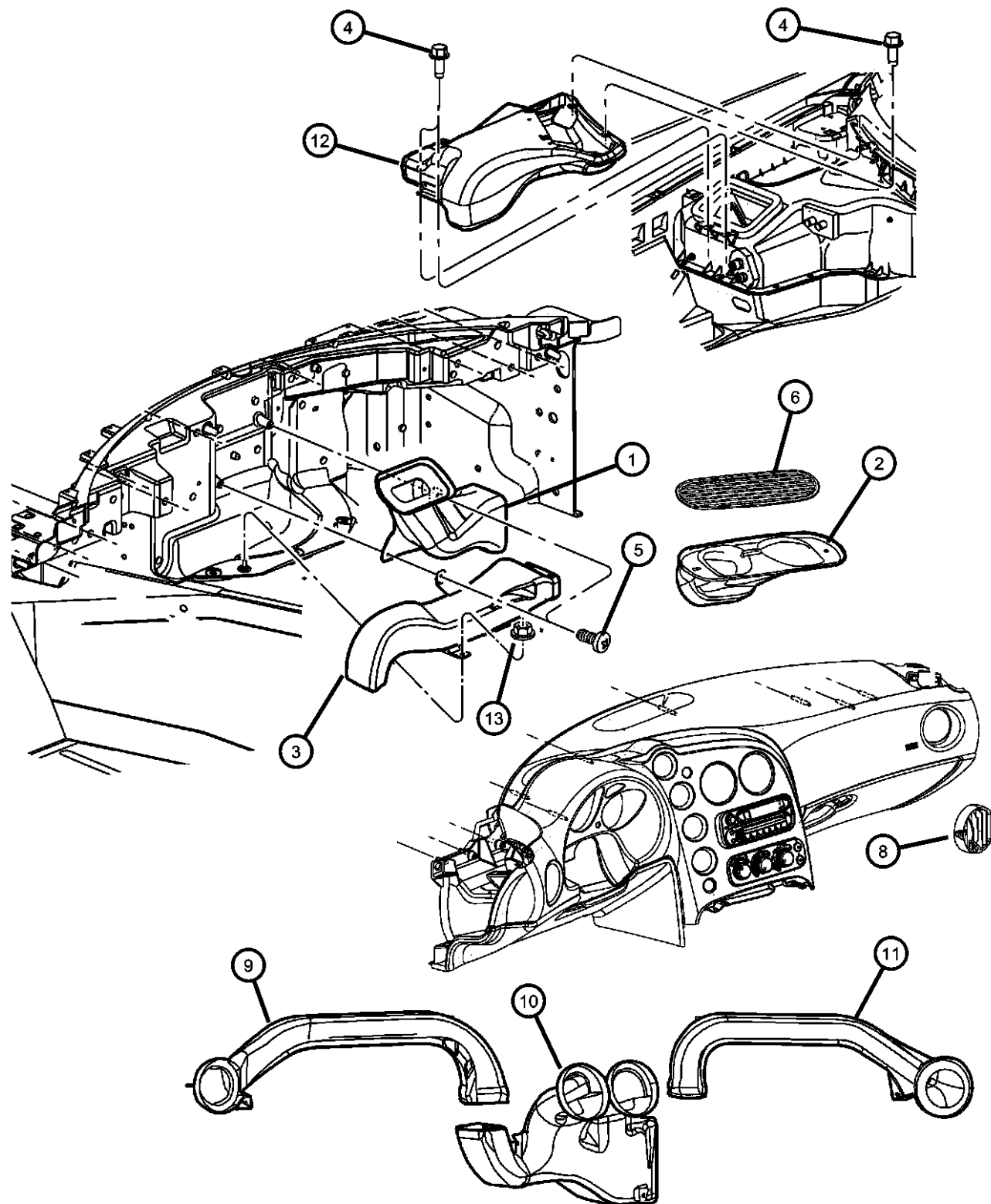
**VIPER (ZB)**

SERIES	LINE	BODY	ENGINE	TRANSMISSION
S = SPORT	D = DODGE	29 = SPECIALTY COUPE	EWE = 8.4L V10 SFI Engine	DEC = 6-Speed Manual Transmission
X = SPECIAL		27 = 2-DR CONVERTIBLE		

AR = use ase required - = Non illustrated part

2008 ZB

Ducts and Outlets  
Figure 24-505



ITEM	PART NUMBER	QTY	LINE	SERIES	BODY	ENGINE	TRANS	TRIM	DESCRIPTION
1	04865554AA	1	D		27, 29				DUCT, Defroster
2	04865541AA	1	D		27, 29				DUCT, Defroster
3	04865809AA	1	D		27, 29				DUCT, Floor
4	00153816	4	D		27, 29				SCREW, Tapping, .164-18x.75
5	06505300AA	1	D		27, 29				SCREW
6	0WP74DX9AA	1	D		27, 29				GRILLE, Defroster
-7	0WP74DX9AA	1							SCREW, M4X1.5X18.0, (NOT SERVICED)
8	5GD76DX9AA	1	D		27, 29				OUTLET, Air Conditioning & Heater
9	04865545AA	1	D		27, 29				DUCT, Instrument Panel
10	04865552AA	1	D		27, 29				DUCT, Instrument Panel
11	04865546AA	1	D		27, 29				DUCT, Instrument Panel
12	04865640AB	1	D		27, 29				PLENUM, Fresh Air Inlet
13	06100840	1	D		27, 29				NUT, Spring

VIPER (ZB)

SERIES	LINE	BODY	ENGINE	TRANSMISSION
S = SPORT	D = DODGE	29 = SPECIALTY COUPE	EWE = 8.4L V10 SFI Engine	DEC = 6-Speed Manual Transmission
X = SPECIAL		27 = 2-DR CONVERTIBLE		

AR = use ase required - = Non illustrated part

2008 ZB

# Group - 25

## Emission Controls

### Group - 25 Emission Controls

Illustration Title

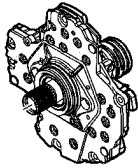
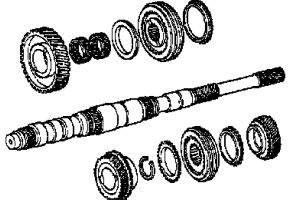
Group-Fig. No.

#### Vacuum Canister/Leak Detection Pump

Vapor Canister and Leak Detection Pump .....Fig. 25 - 305

#### Emission Harness

Emission Control Vacuum Harness .....Fig. 25 - 405

<p><b>025-300</b> Vacuum Canister/Leak Detection Pump</p> 	<p><b>025-400</b> Emission Harness</p> 		
---	--	--	--

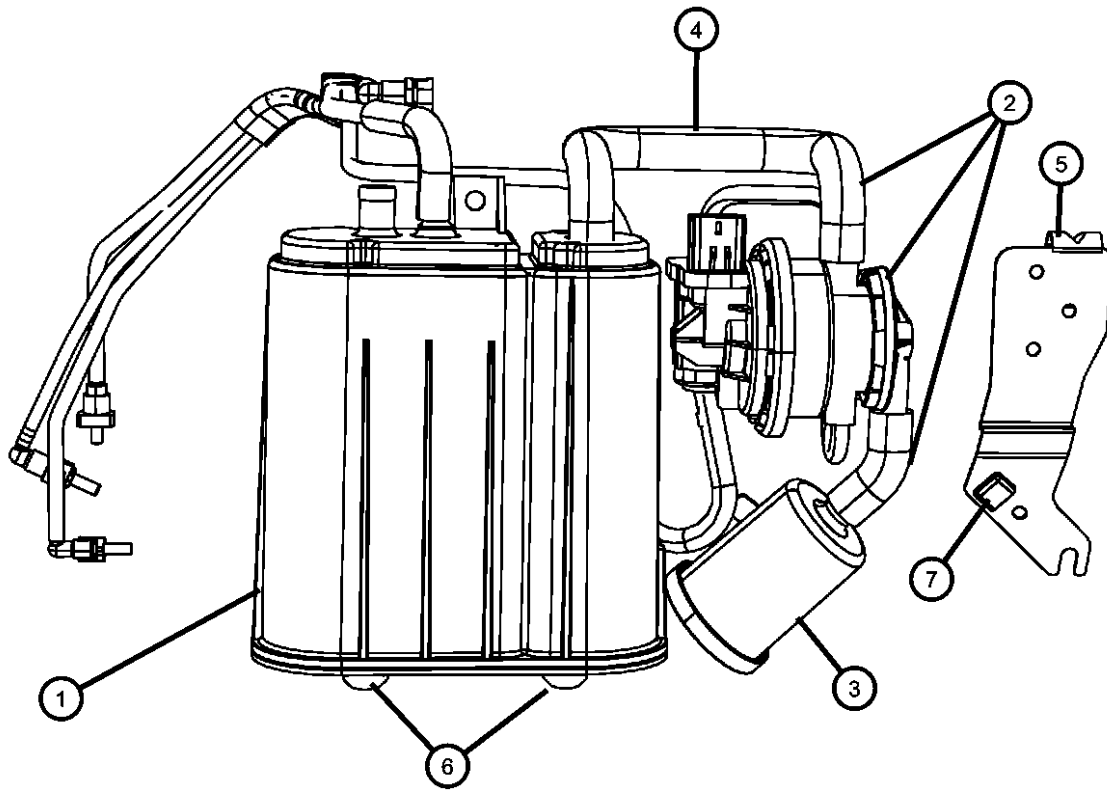


Vapor Canister and Leak Detection Pump  
Figure 25-305

ITEM	PART NUMBER	QTY	LINE	SERIES	BODY	ENGINE	TRANS	TRIM	DESCRIPTION
------	-------------	-----	------	--------	------	--------	-------	------	-------------

Note; Sales Code  
[EWE] = 8.4L V-10 SFI Engine

1	53013096AB	1	D		27, 29				CANISTER, Vapor
2	04891543AB	1	D		27, 29				PUMP, Leak Detection
3	05085164AA	1	D		27, 29				FILTER, Leak Detection Pump
4	05290153AA	1	D		27, 29	EWE			TUBE, Leak Detection Pump Vacuum Supply
5	05290141AA	1	D		27, 29				BRACKET, Leak Detection Pump
6	04669177	2	D		27, 29				GROMMET
7	05290115AA	1	D		27, 29				BOLT, Leak Detection Pump Bracket Mtg.



VIPER (ZB)

SERIES	LINE	BODY	ENGINE	TRANSMISSION
S = SPORT	D = DODGE	29 = SPECIALTY COUPE	EWE = 8.4L V10 SFI Engine	DEC = 6-Speed Manual Transmission
X = SPECIAL		27 = 2-DR CONVERTIBLE		

AR = use ase required - = Non illustrated part

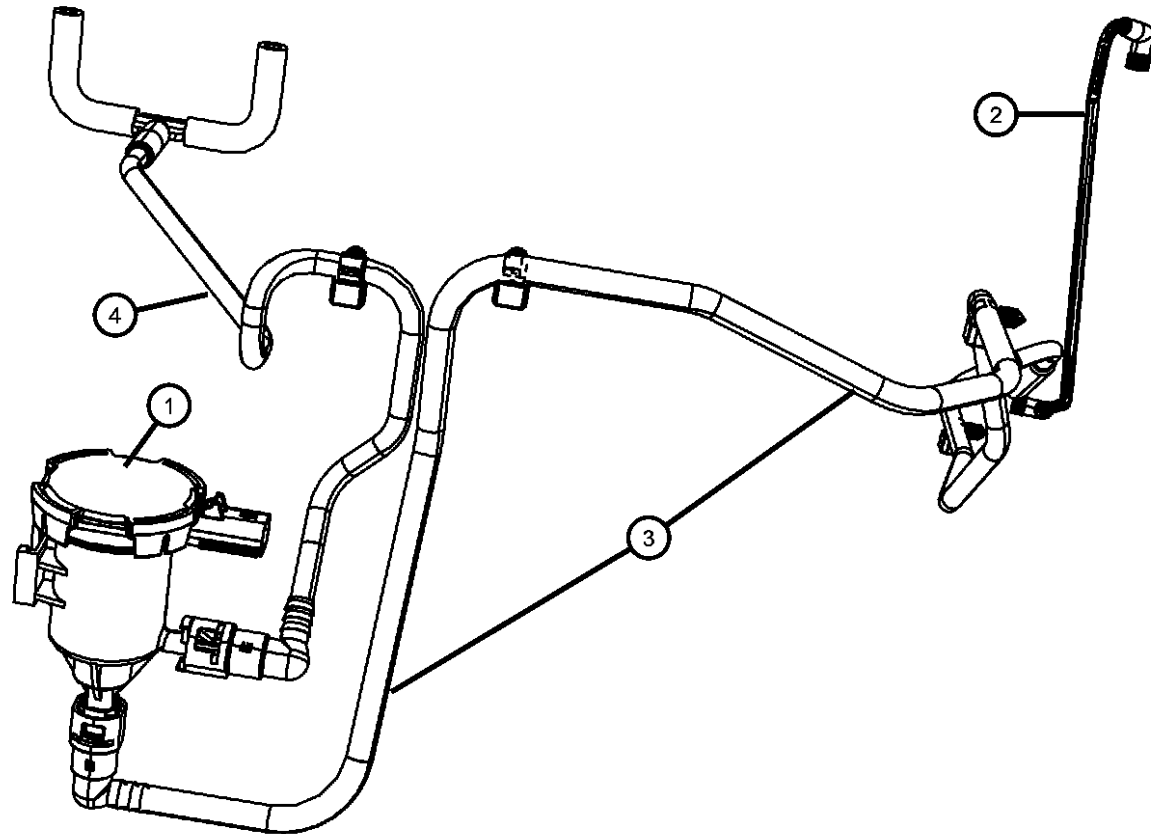
2008 ZB

**Emission Control Vacuum Harness  
Figure 25-405**

ITEM	PART NUMBER	QTY	LINE	SERIES	BODY	ENGINE	TRANS	TRIM	DESCRIPTION
------	-------------	-----	------	--------	------	--------	-------	------	-------------

NOTES: Sales Code  
[EWE] = 8.4L V10 SFI Engine

1	04891731AA	1	D		27, 29	EWE			VALVE, Linear Purge
2	05290153AA	1	D		27, 29	EWE			TUBE, Leak Detection Pump Vacuum Supply
3	05030835AA	1	D		27, 29	EWE			HARNESS, Engine to Purge Solenoid
4	05030712AB	1	D		27, 29	EWE			HARNESS, Engine to Purge Solenoid



**VIPER (ZB)**

SERIES	LINE	BODY	ENGINE	TRANSMISSION
S = SPORT	D = DODGE	29 = SPECIALTY COUPE	EWE = 8.4L V10 SFI Engine	DEC = 6-Speed Manual Transmission
X = SPECIAL		27 = 2-DR CONVERTIBLE		

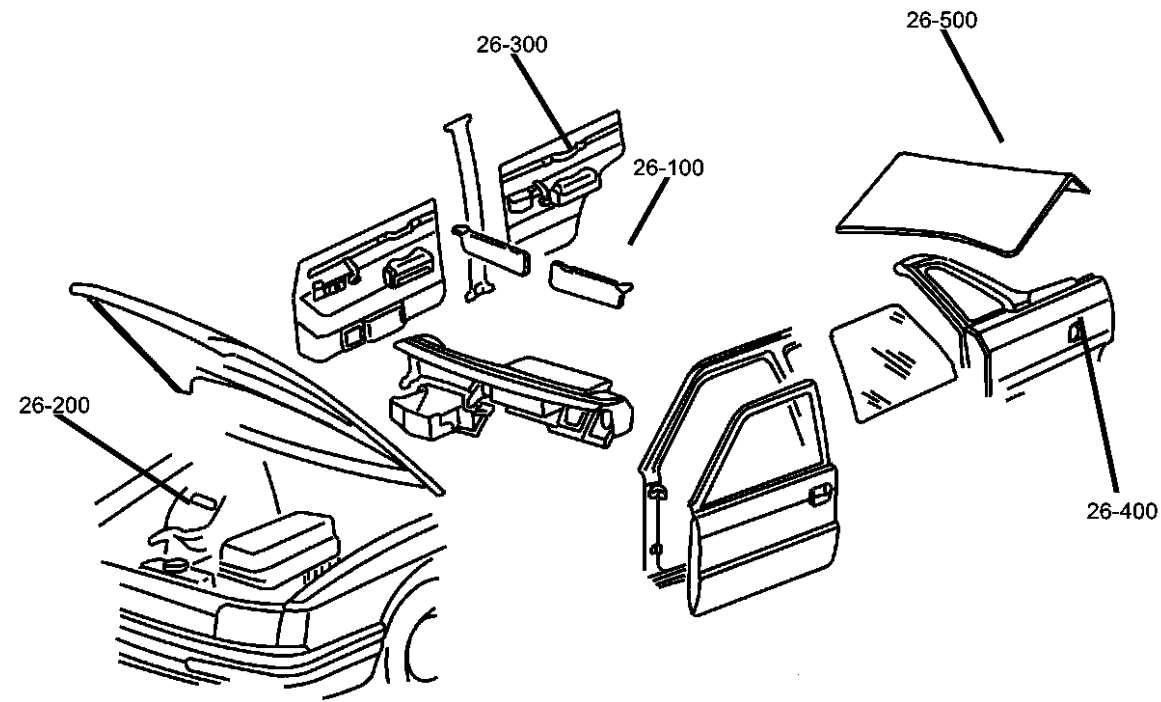
AR = use ase required - = Non illustrated part

2008 ZB

# Group - 26

## Labels

## Group - 26 Labels



### Illustration Title

Group-Fig. No.

### Interior

Instrument Panel ..... Fig. 26 - 105  
 Visor ..... Fig. 26 - 110

### Under Hood

Engine Compartment ..... Fig. 26 - 205

### Doors

Door Labels ..... Fig. 26 - 305  
 Fuel Door ..... Fig. 26 - 315

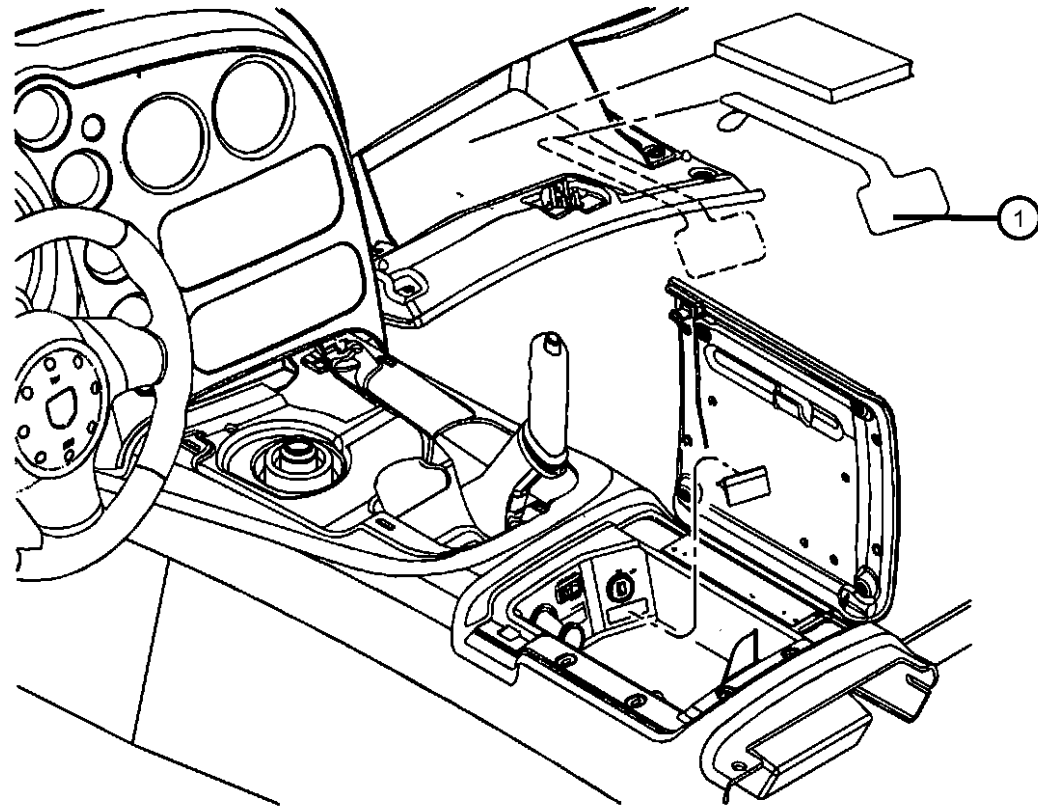
<b>026-100</b> Interior	<b>026-200</b> Under Hood	<b>026-300</b> Doors	
----------------------------	------------------------------	-------------------------	--

**Instrument Panel  
Figure 26-105**

ITEM	PART NUMBER	QTY	LINE	SERIES	BODY	ENGINE	TRANS	TRIM	DESCRIPTION
------	-------------	-----	------	--------	------	--------	-------	------	-------------

Note: Sales Code:  
[CGZ] = Air Bag On/Off Switch - Passenger

1									LABEL, Air Bag Warning
	05029280AA	1			27, 29				FRENCH
	05108001AB	1			27, 29				
	05108002AB	1			27, 29				Dangle label french



**VIPER (ZB)**

SERIES	LINE	BODY	ENGINE	TRANSMISSION
S = SPORT	D = DODGE	29 = SPECIALTY COUPE	EWE = 8.4L V10 SFI Engine	DEC = 6-Speed Manual Transmission
X = SPECIAL		27 = 2-DR CONVERTIBLE		

AR = use ase required - = Non illustrated part

2008 ZB

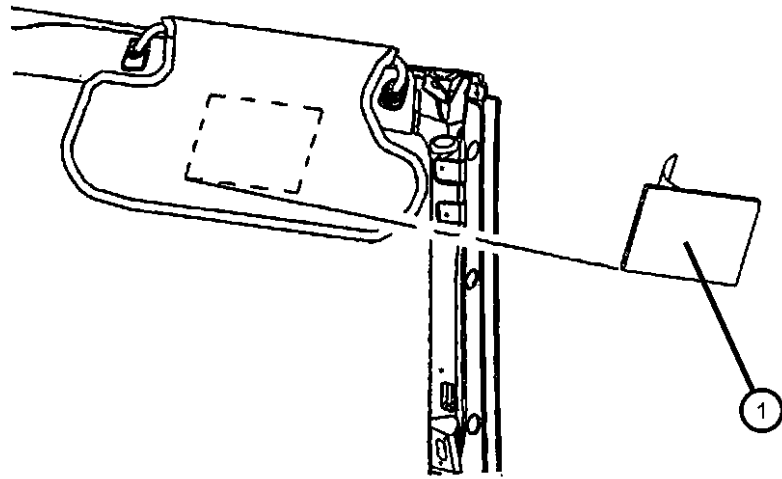
**Visor  
Figure 26-110**

ITEM	PART NUMBER	QTY	LINE	SERIES	BODY	ENGINE	TRANS	TRIM	DESCRIPTION
------	-------------	-----	------	--------	------	--------	-------	------	-------------

Note: Sales Code:

[CGZ] = Air Bag On/Off Switch - Passenger

1	05108000AA	2			27, 29				LABEL, Air Bag Warning, English and French
---	------------	---	--	--	--------	--	--	--	--



**VIPER (ZB)**

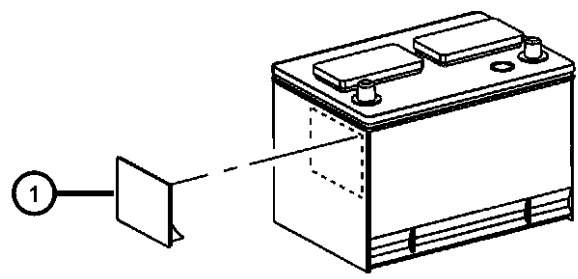
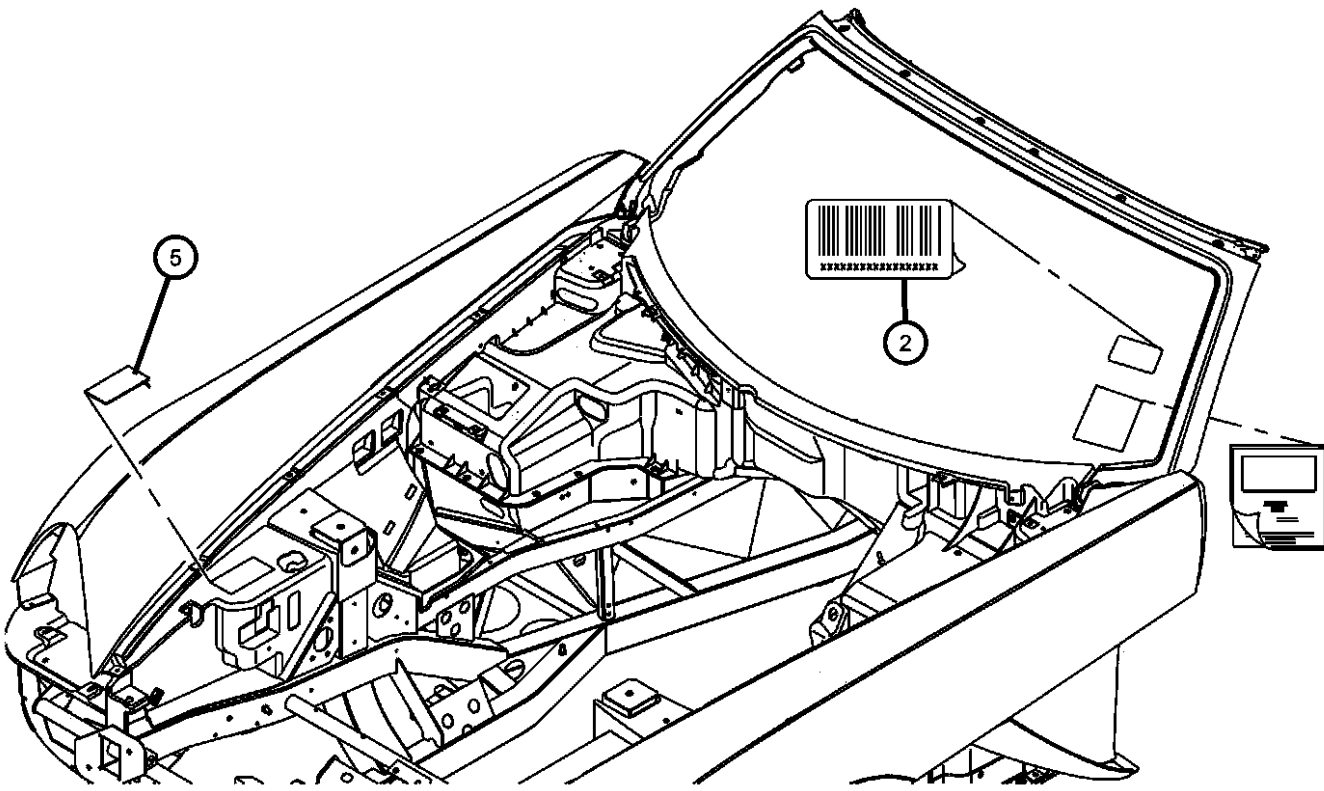
SERIES	LINE	BODY	ENGINE	TRANSMISSION
S = SPORT	D = DODGE	29 = SPECIALTY COUPE	EWE = 8.4L V10 SFI Engine	DEC = 6-Speed Manual Transmission
X = SPECIAL		27 = 2-DR CONVERTIBLE		

AR = use ase required - = Non illustrated part

2008 ZB

**Engine Compartment  
Figure 26-205**

ITEM	PART NUMBER	QTY	LINE	SERIES	BODY	ENGINE	TRANS	TRIM	DESCRIPTION
1	04848923AA	1			27, 29				LABEL, Battery
2	04708022	2			27				LABEL, Warning Bar, VIN, Bar Code
-3	05038096AA	1			27, 29	EWE			LABEL, Emission
-4									LABEL, Mercury Warning
	05020527AA	1			27, 29				
	05020533AA	1			27, 29				English and French
5	05181401AA	1			27, 29				LABEL, Air Conditioning System
-6									LABEL, Exhaust Warning
	04708021AB	2			27, 29				
	04708337AB	2			27, 29				English and French



**VIPER (ZB)**  
 SERIES                      LINE                                      BODY                                      ENGINE                                      TRANSMISSION  
 S = SPORT                      D = DODGE                                      29 = SPECIALTY COUPE                      EWE = 8.4L V10 SFI Engine                      DEC = 6-Speed Manual Transmission  
 X = SPECIAL    27 = 2-DR CONVERTIBLE

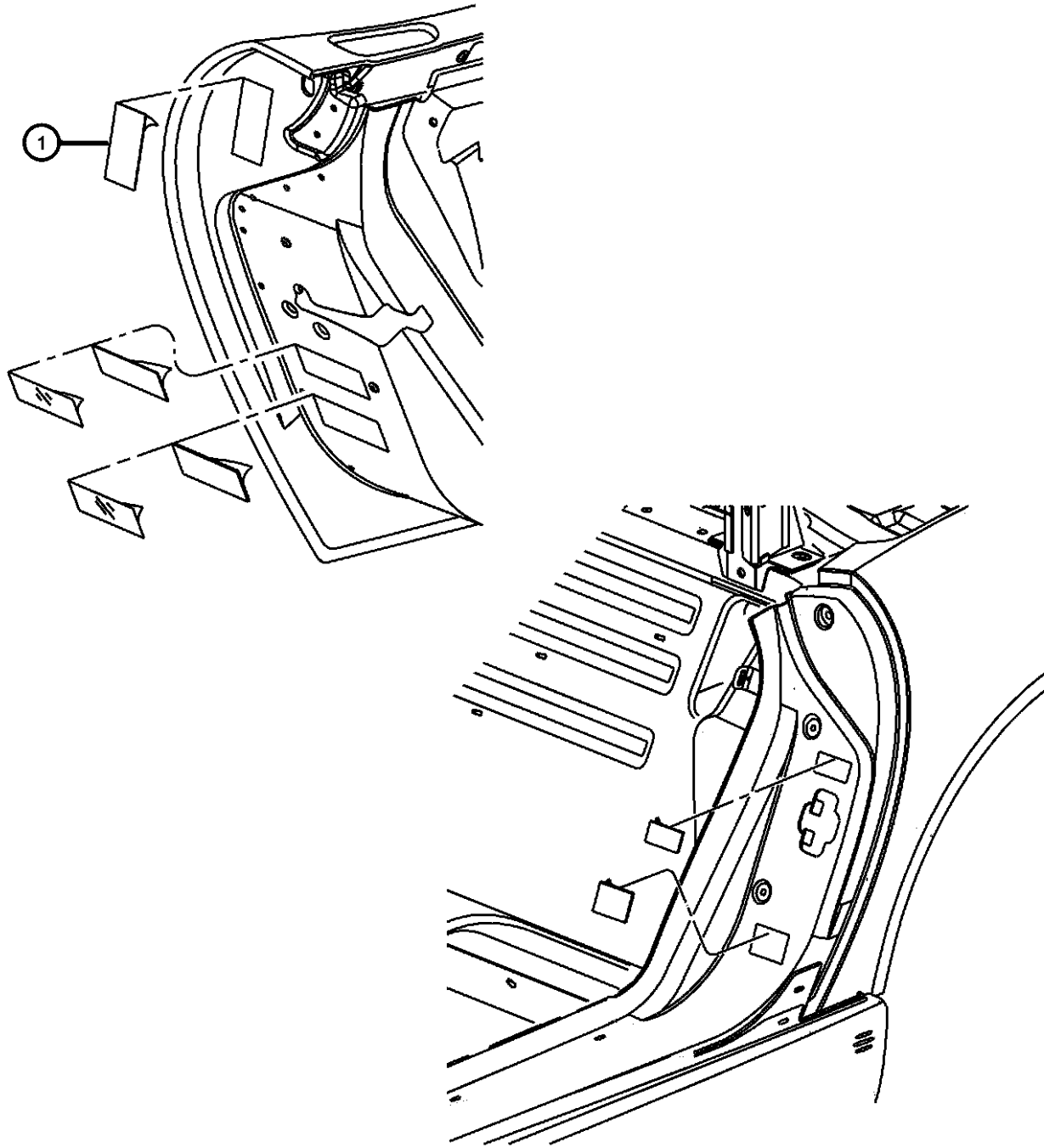
AR = use ase required - = Non illustrated part

Door Labels  
Figure 26-305

ITEM	PART NUMBER	QTY	LINE	SERIES	BODY	ENGINE	TRANS	TRIM	DESCRIPTION
------	-------------	-----	------	--------	------	--------	-------	------	-------------

Dflee6

1	05056245AA	1			27, 29				LABEL, Tire Pressure
---	------------	---	--	--	--------	--	--	--	----------------------



VIPER (ZB)

SERIES

S = SPORT  
X = SPECIAL

LINE

D = DODGE

BODY

29 = SPECIALTY COUPE  
27 = 2-DR CONVERTIBLE

ENGINE

EWE = 8.4L V10 SFI Engine

TRANSMISSION

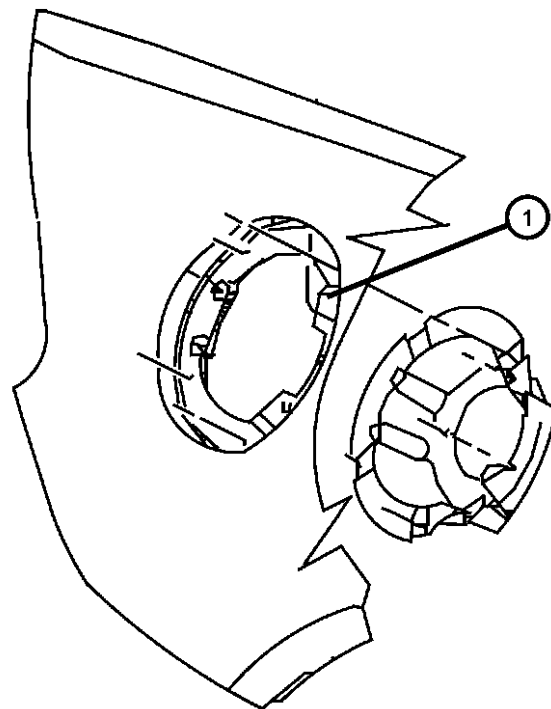
DEC = 6-Speed Manual Transmission

AR = use ase required - = Non illustrated part

2008 ZB

Fuel Door  
Figure 26-315

ITEM	PART NUMBER	QTY	LINE	SERIES	BODY	ENGINE	TRANS	TRIM	DESCRIPTION
1	05056245AA	1							LABEL, Fuel, (NOT SERVICED)



VIPER (ZB)

SERIES

S = SPORT

X = SPECIAL

LINE

D = DODGE

BODY

29 = SPECIALTY COUPE

27 = 2-DR CONVERTIBLE

ENGINE

EWE = 8.4L V10 SFI Engine

TRANSMISSION

DEC = 6-Speed Manual Transmission

AR = use ase required - = Non illustrated part

2008 ZB



---

# Group - 27

## Glass

### Group - 27 Glass

Illustration Title

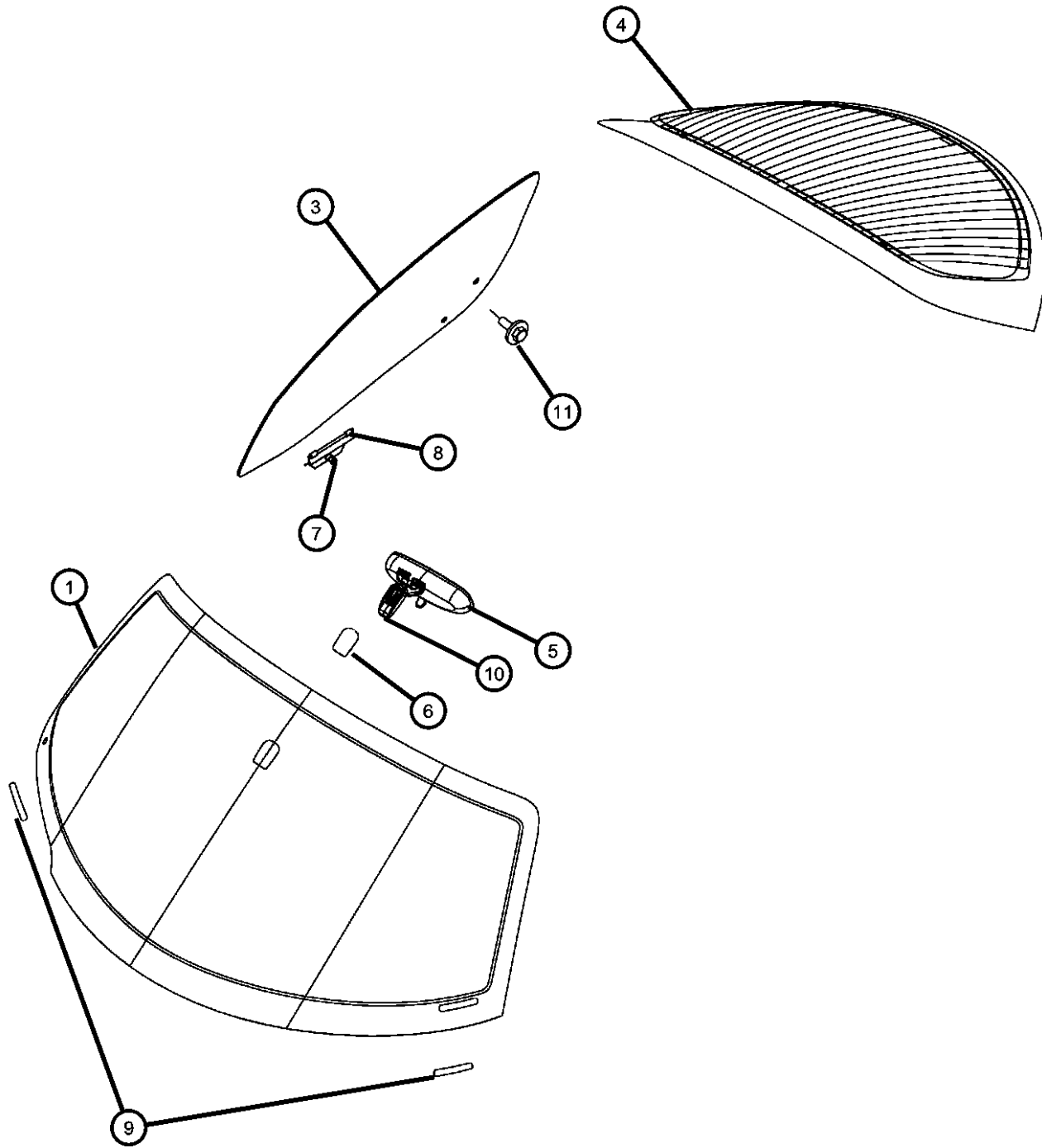
Group-Fig. No.

#### Glass and Interior Rear View Mirror

Glass, Glass Hardware & Interior Mirrors .....Fig. 27 - 105

<b>027-100</b> Glass and Interior Rear View Mirror			
--	--	--	--

**Glass, Glass Hardware & Interior Mirrors**  
**Figure 27-105**



ITEM	PART NUMBER	QTY	LINE	SERIES	BODY	ENGINE	TRANS	TRIM	DESCRIPTION
1	05086542AA DW01513GTY	1	D		27, 29				WINDSHIELD, Shipping Assembly - 05 Lite Glass Collision Replacement Glass
-2	04864015	4	D		27, 29				INSTALLATION PACKAGE, Windshield Glass
3	04865616AB DD10331GTY 04865617AB DD10332GTY	1	D		27				GLASS, Front Door Right Collision Replacement Glass Left Collision Replacement Glass
	05030094AB DD10992GTY 05030095AB DD10993GTY	1	D		29				Right Collision Replacement Glass Left Collision Replacement Glass
4	05030041AD	1	D		29				GLASS, Liftgate
5	05029067AB	1	D		27, 29				MIRROR, Inside Rear View, Lighted
6	05029067AB	1							BUTTON, Rear View Mirror, (NOT SERVICED)
7	04512685	2	D		27				BUSHING, Door Glass
		2	D		29				
8	04512684	2	D		27				RETAINER, Glass to Liftplate
		2	D		29				
9	04643847	AR	D		27, 29				SHIM, Windshield
10	04643847	AR							SCREW, Pan Head Tapping, .19-16x.375, (NOT SERVICED)
11	06504791	2	D		27, 29				SCREW, TAPPING, BUTTON HEAD, M6 X 1.00 X 18.00

**VIPER (ZB)**

SERIES	LINE	BODY	ENGINE	TRANSMISSION
S = SPORT	D = DODGE	29 = SPECIALTY COUPE	EWE = 8.4L V10 SFI Engine	DEC = 6-Speed Manual Transmission
X = SPECIAL		27 = 2-DR CONVERTIBLE		

AR = use ase required - = Non illustrated part

# Group - 30

## Doors, Door Mirrors and Related Parts

### Group - 30 Doors, Door Mirrors and Related Parts

Illustration Title

Group-Fig. No.

#### Front Door

Front Door, Shell and Hinges.....Fig. 30 - 105

Front Door, Hardware Components.....Fig. 30 - 130

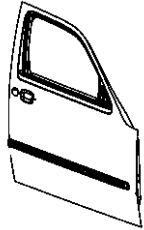
#### Exterior Mirror

Mirror, Exterior.....Fig. 30 - 505

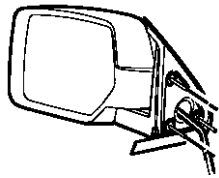
#### Weatherstrips and Seals

Weatherstrips, Front Door.....Fig. 30 - 605

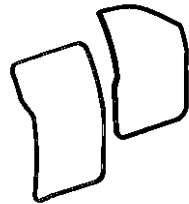
**030-100**  
Front Door



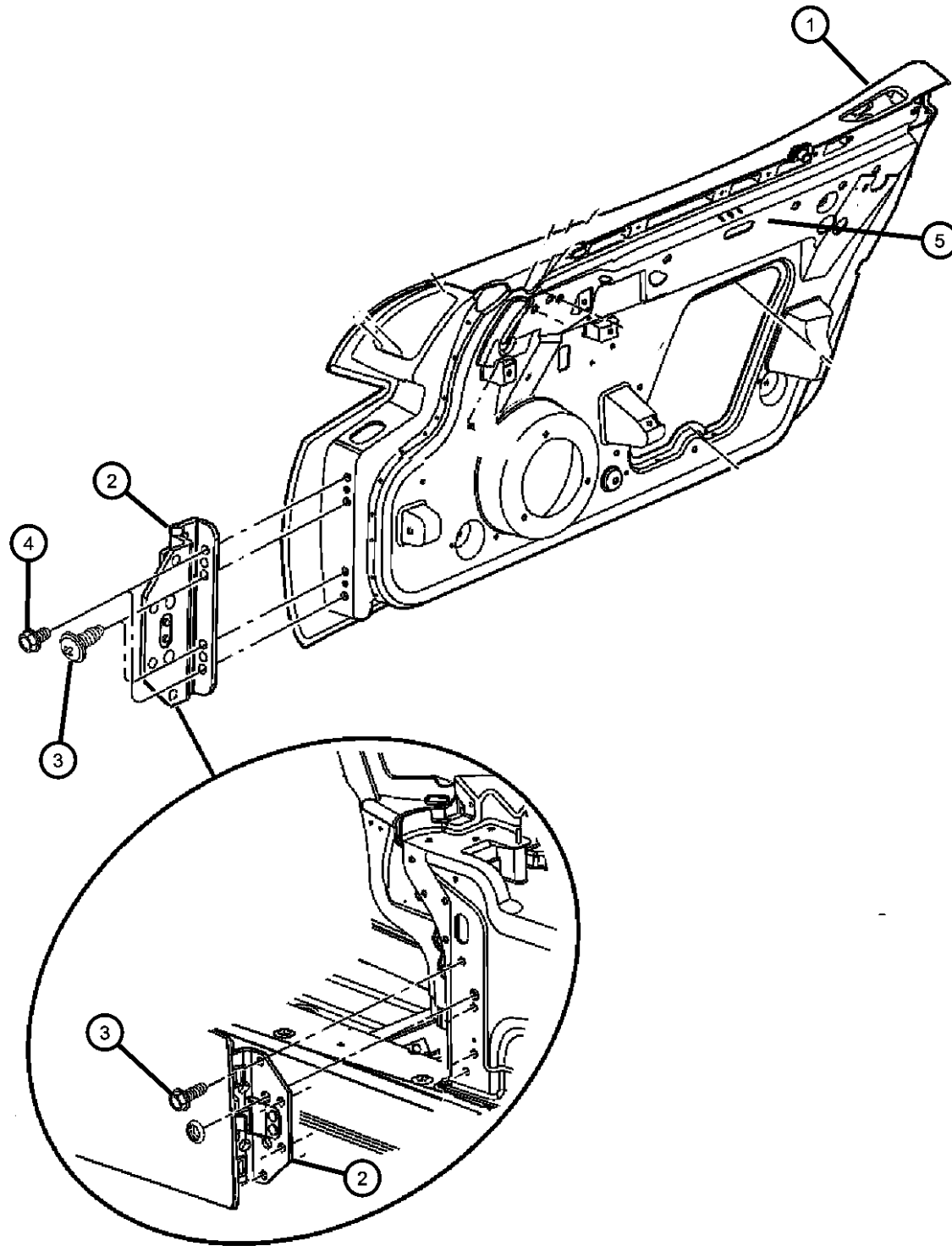
**030-500**  
Exterior Mirror



**030-600**  
Weatherstrips and Seals



Front Door, Shell and Hinges  
Figure 30-105



ITEM	PART NUMBER	QTY	LINE	SERIES	BODY	ENGINE	TRANS	TRIM	DESCRIPTION
1	04865592AF	1	D		27, 29				DOOR, Front, Paint as Required Right
	04865593AF	1	D		27, 29				Left
2	04865462AE	2	D		27, 29				HINGE, Front Door
3	06503351	4	D		27, 29				SCREW AND WASHER, Hex Head, M8x1.25x35
4	06502549	4	D		27, 29				SCREW, Pan Head, M8x1.25x30
5	05029713AA	1	D		27, 29				REINFORCEMENT, Door Inner

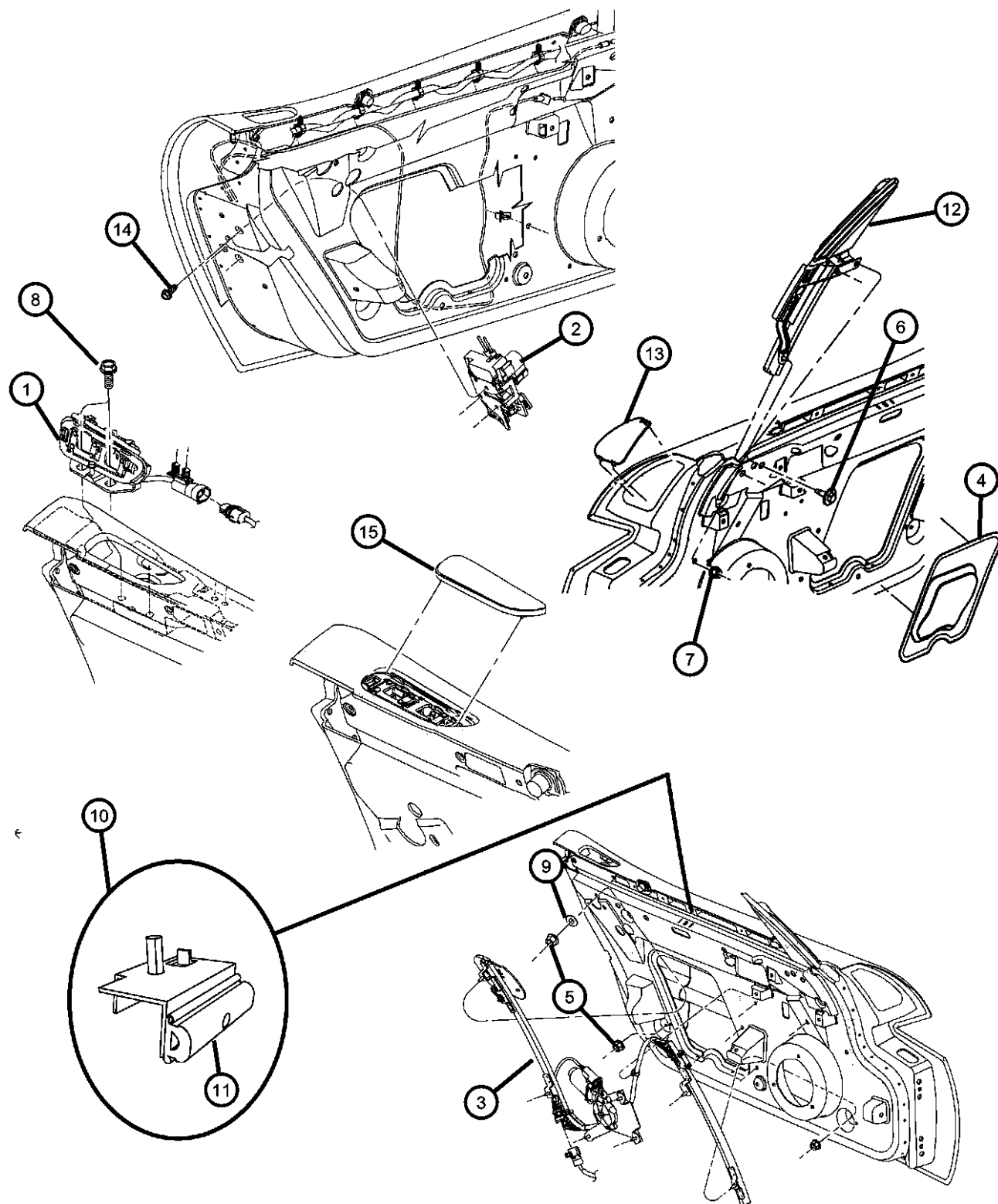
VIPER (ZB)

SERIES	LINE	BODY	ENGINE	TRANSMISSION
S = SPORT	D = DODGE	29 = SPECIALTY COUPE	EWE = 8.4L V10 SFI Engine	DEC = 6-Speed Manual Transmission
X = SPECIAL		27 = 2-DR CONVERTIBLE		

AR = use ase required - = Non illustrated part

2008 ZB

**Front Door, Hardware Components**  
**Figure 30-130**



ITEM	PART NUMBER	QTY	LINE	SERIES	BODY	ENGINE	TRANS	TRIM	DESCRIPTION
1	05029144AB	1	D		27, 29				HANDLE, Front Door Exterior Right
	05029145AC	1	D		27, 29				Left
2	04865726AC	1	D		27, 29				LATCH, Front Door Right
	04865727AC	1	D		27, 29				Left
3	04865610AE	1	D		27, 29				REGULATOR, Front Door Window Right
	04865611AE	1	D		27, 29				Left
4	04865586AA	1	D		27, 29				WATERSHIELD, Front Door Right
	04865587AA	1	D		27, 29				Left
5	06101694	10	D		27, 29				NUT, M6x1.00
6	06100567	6	D		27, 29				SCREW AND WASHER, Hex Head, M6x1x25
7	06102126AA	4	D		27, 29				NUT AND WASHER, Hex, M6x1.0
8	06101650	2	D		27, 29				SCREW AND WASHER, M5X.80X20.00
9	05029626AA	1	D		27, 29				REINFORCEMENT, Window Regulator
10	04658734AC	2	D		27, 29				STABILIZER, Door Glass Belt
11	04396294	2	D		27, 29				STABILIZER, Door Glass
12	04865580AF	1	D		27, 29				FLAG, Door Right
	04865581AF	1	D		27, 29				Left
13	05029068AB	1	D		27, 29				PANEL, Access Right
	05029069AB	1	D		27, 29				Left
14	06501373	6	D		27, 29				SCREW AND WASHER, Hex Head, M6x1x20
15	0TR32ERSAB	1	D		27, 29				COVER, Handle [RS], Right
	0TR32FCVAB	1	D		27, 29				[CV], Right
	0TR32GB-CAB	1	D		27, 29				[BC], Right
	0TR32GGSAB	1	D		27, 29				[GS], Right
	0TR33GB-CAB	1	D		27, 29				[BC], Left
	0TR32GK3AB	1	D		27, 29				[K3], Right
	0TR32LRNAB	1	D		27, 29				[RN], Right

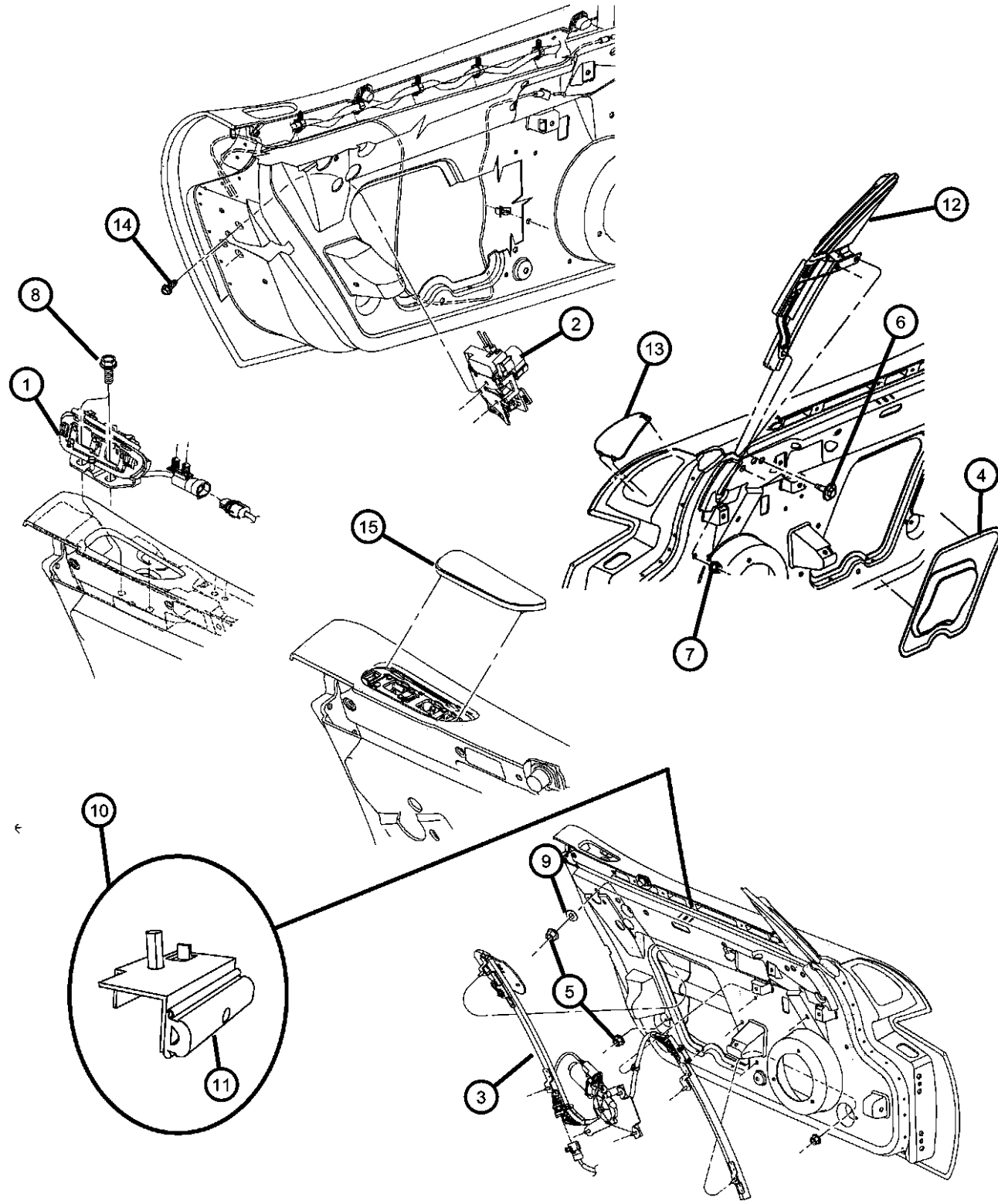
**VIPER (ZB)**

SERIES	LINE	BODY	ENGINE	TRANSMISSION
S = SPORT	D = DODGE	29 = SPECIALTY COUPE	EWE = 8.4L V10 SFI Engine	DEC = 6-Speed Manual Transmission
X = SPECIAL		27 = 2-DR CONVERTIBLE		

AR = use ase required - = Non illustrated part

2008 ZB

**Front Door, Hardware Components**  
**Figure 30-130**



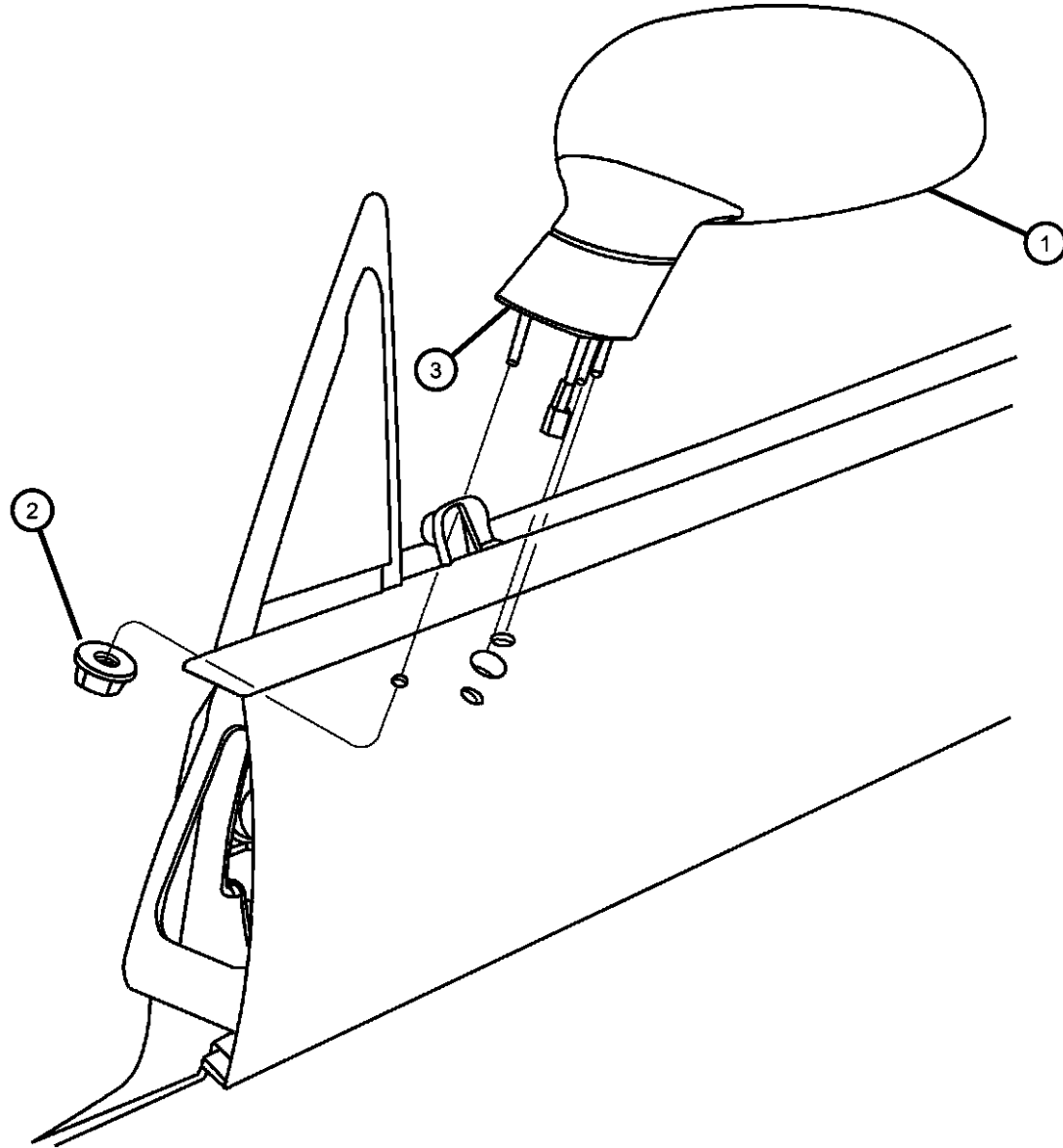
ITEM	PART NUMBER	QTY	LINE	SERIES	BODY	ENGINE	TRANS	TRIM	DESCRIPTION
	0TR32MX3AB	1	D		27, 29				[X3], Right
	0TR32SBEAB	1	D		27, 29				[BE], Right
	0TR33ERSAB	1	D		27, 29				[RS], Left
	0TR33FCVAB	1	D		27, 29				[CV], Left
	0TR33GGSAB	1	D		27, 29				[GS], Left
	0TR33GK3AB	1	D		27, 29				[K3], Left
	0TR33LRNAB	1	D		27, 29				[RN], Left
	0TR33MX3AB	1	D		27, 29				[X3], Left
	0TR33SBEAB	1	D		27, 29				[BE], Left
-16	34202688	2	D		27, 29				CLIP, Latch&Line
-17	05073039AA	2	D		27, 29				STRAP, Tie

**VIPER (ZB)**  
 SERIES          LINE                  BODY                  ENGINE                  TRANSMISSION  
 S = SPORT      D = DODGE          29 = SPECIALTY COUPE      EWE = 8.4L V10 SFI Engine      DEC = 6-Speed Manual Transmission  
 X = SPECIAL          27 = 2-DR CONVERTIBLE

AR = use ase required    - = Non illustrated part

Mirror, Exterior  
Figure 30-505

ITEM	PART NUMBER	QTY	LINE	SERIES	BODY	ENGINE	TRANS	TRIM	DESCRIPTION
1									MIRROR, Outside Rearview
	0TR36ERSAD	1	D		27, 29				[RS], Right
	0TR36FCVAD	1	D		27, 29				[CV], Right
	0TR36GB-CAD	1	D		27, 29				[BC], Right
	0TR36GGSAD	1	D		27, 29				[GS], Right
	0TR36GK3AD	1	D		27, 29				[K3], Right
	0TR36LRNAD	1	D		27, 29				[RN], Right
	0TR36MX3AD	1	D		27, 29				[X3], Right
	0TR36SBEAD	1	D		27, 29				[BE], Right
	0TR37ERSAD	1	D		27, 29				[RS], Left
	0TR37FCVAD	1	D		27, 29				[CV], Left
	0TR37GB-CAD	1	D		27, 29				[BC], Left
	0TR37GGSAD	1	D		27, 29				[GS], Left
	0TR37GK3AD	1	D		27, 29				[K3], Left
	0TR37LRNAD	1	D		27, 29				[RN], Left
	0TR37MX3AD	1	D		27, 29				[X3], Left
	0TR37SBEAD	1	D		27, 29				[BE], Left
2	06102101AA	6	D		27, 29				NUT AND WASHER, Hex, M5x0.80
3									GASKET, Mirror attaching
	05030180AA	1							Right
	05030181AA	1							Left



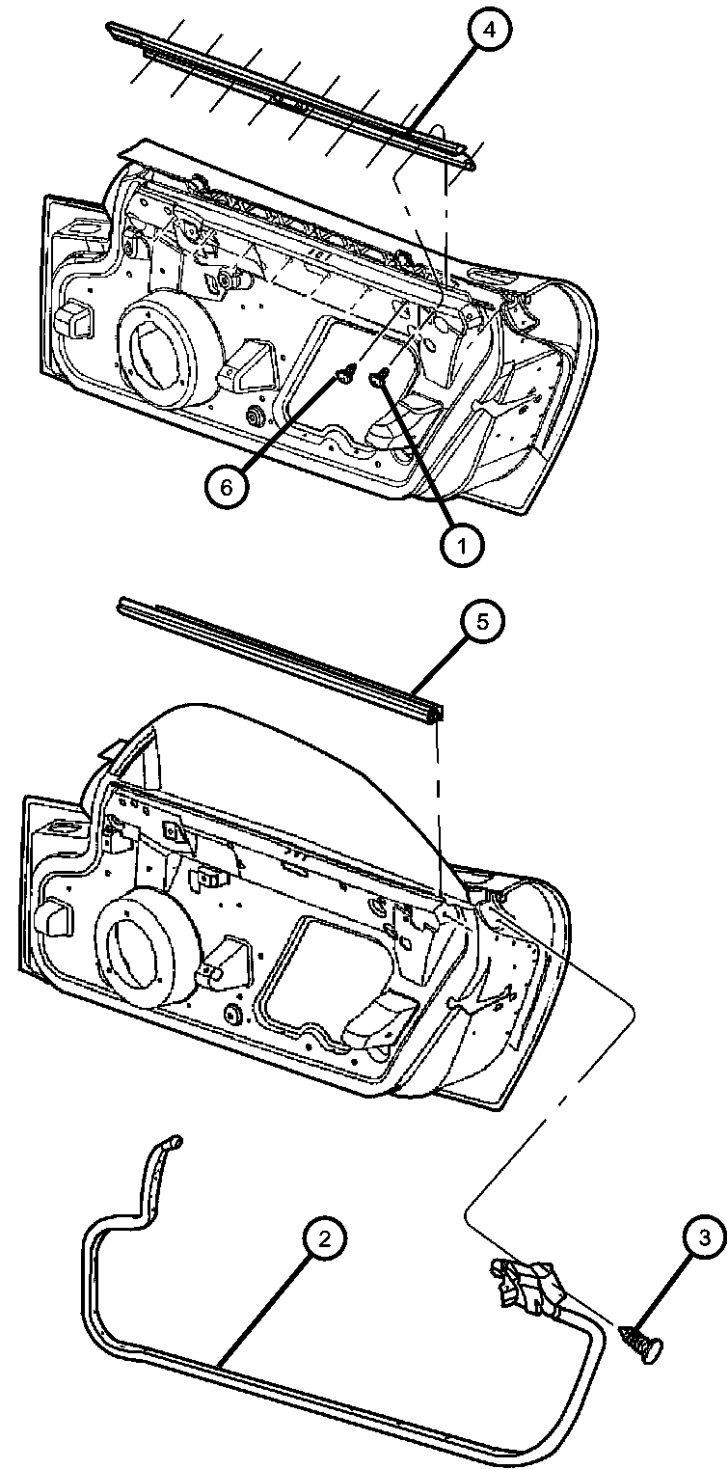
VIPER (ZB)

SERIES	LINE	BODY	ENGINE	TRANSMISSION
S = SPORT	D = DODGE	29 = SPECIALTY COUPE	EWE = 8.4L V10 SFI Engine	DEC = 6-Speed Manual Transmission
X = SPECIAL		27 = 2-DR CONVERTIBLE		

AR = use ase required - = Non illustrated part

2008 ZB

**Weatherstrips, Front Door**  
**Figure 30-605**



ITEM	PART NUMBER	QTY	LINE	SERIES	BODY	ENGINE	TRANS	TRIM	DESCRIPTION
1	00154936AA	4	D		27, 29				SCREW
2									WEATHERSTRIP, Front Door Sill Secondary
	04865564AD	1	D		27, 29				Right
	04865565AD	1	D		27, 29				Left
3	04658673	2	D		27, 29				PIN PUSH, .150x.410
4									WEATHERSTRIP, Door Belt, Outer
	04865584AB	1	D		27, 29				Right
	04865585AB	1	D		27, 29				Left
5									WEATHERSTRIP, Door Belt, Inner
	04865578AC	1	D		27, 29				Right
	04865579AC	1	D		27, 29				Left
6	06032723	14	D		27, 29				SCREW, Self Tapping, M4.2x1.69x19.05

**VIPER (ZB)**

SERIES	LINE	BODY	ENGINE	TRANSMISSION
S = SPORT	D = DODGE	29 = SPECIALTY COUPE	EWE = 8.4L V10 SFI Engine	DEC = 6-Speed Manual Transmission
X = SPECIAL		27 = 2-DR CONVERTIBLE		

AR = use ase required - = Non illustrated part



# Group - 40

## Exterior Ornamentation

### Group - 40 Exterior Ornamentation

Illustration Title

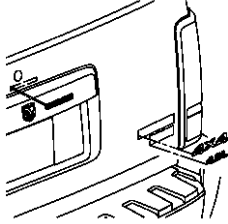
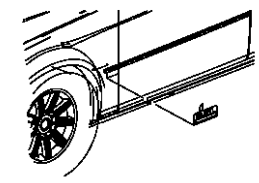
Group-Fig. No.

#### Nameplates

Nameplates, Emblems & Medallions .....Fig. 40 - 105

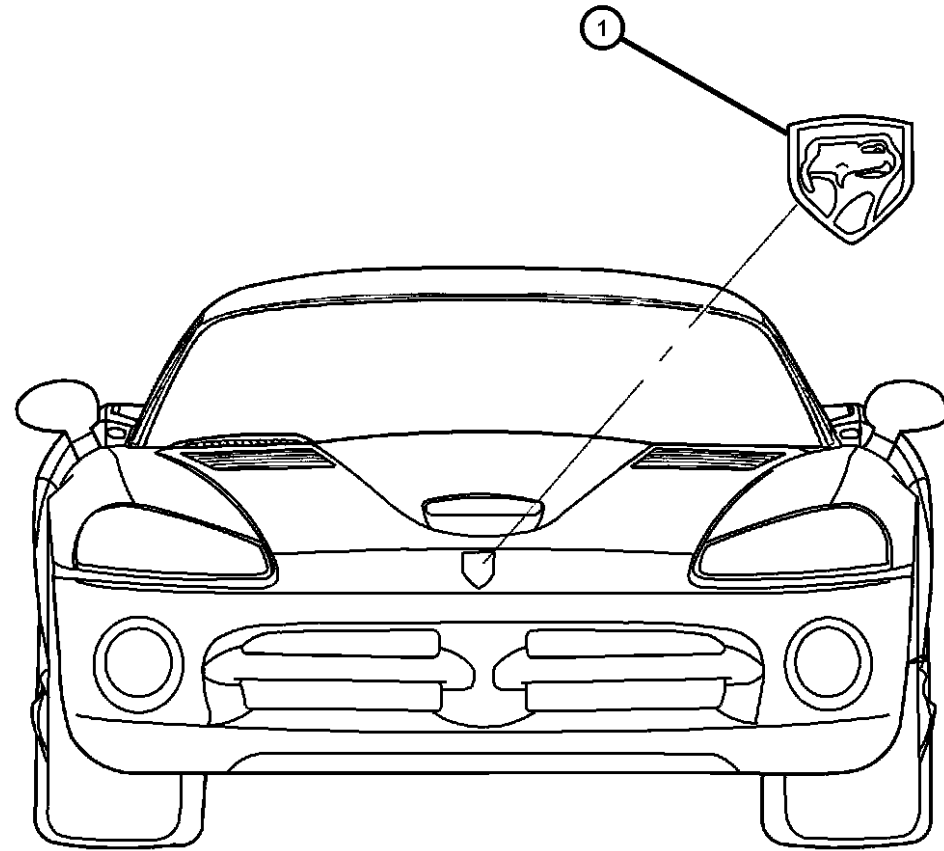
#### Decals and Tape strips

Decals & Tape Stripes .....Fig. 40 - 305

<p><b>040-100</b> Nameplates</p> 	<p><b>040-300</b> Decals and Tape strips</p> 		
---	--	--	--

**Nameplates, Emblems & Medallions**  
**Figure 40-105**

ITEM	PART NUMBER	QTY	LINE	SERIES	BODY	ENGINE	TRANS	TRIM	DESCRIPTION
1	0UW3706SAA	1	D		27, 29				MEDALLION, Viper Head



**VIPER (ZB)**

SERIES  
 S = SPORT  
 X = SPECIAL

LINE  
 D = DODGE

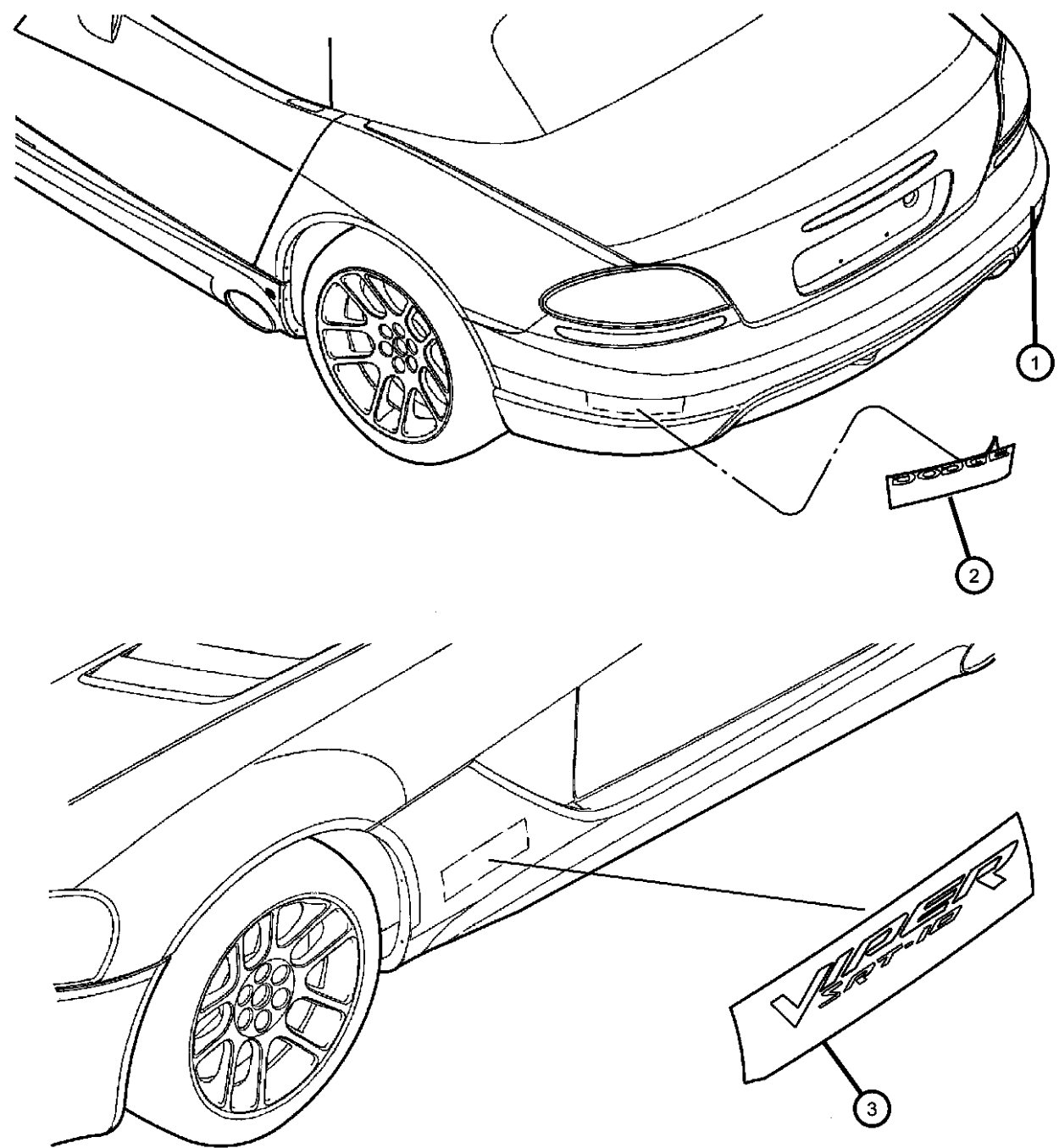
BODY  
 29 = SPECIALTY COUPE  
 27 = 2-DR CONVERTIBLE

ENGINE  
 EWE = 8.4L V10 SFI Engine

TRANSMISSION  
 DEC = 6-Speed Manual Transmission

AR = use ase required - = Non illustrated part

Decals & Tape Stripes  
Figure 40-305



ITEM	PART NUMBER	QTY	LINE	SERIES	BODY	ENGINE	TRANS	TRIM	DESCRIPTION
1	0WN73ER-SAC	1	D		27, 29				DECAL, VIPER [KEM]
	0WN73FC-VAC	1	D		27, 29				[KEV]
	0WN73GB-CAC	1	D		27, 29				[KEC]
	0WN73GGSAC	1	D		27, 29				[KEN]
	0WN73GK3AC	1	D		27, 29				[KEL]
	0WN73SB-BAC	1	D		27, 29				[KEB]
	0WN73WR-RAC	1	D		27, 29				[KER]
	0WN73PX3AC	1	D		27, 29				[KEX]
	2	0WN80ER-SAC	1	D		27, 29			
0WN80FC-VAC		1	D		27, 29				[KSV]
0WN80GB-CAC		1	D		27, 29				[KSC]
0WN80GGSAC		1	D		27, 29				[KSN]
0WN80GK3AC		1	D		27, 29				[KSL]
0WN80PX3AC		1	D		27, 29				[KSX]
0WN80SB-BAC		1	D		27, 29				[KSB]
0WN80WR-RAC		1	D		27, 29				[KSR]
3	0WN81XZAAC	2	D		27, 29			DECAL, SRT-10	

VIPER (ZB)

SERIES	LINE	BODY	ENGINE	TRANSMISSION
S = SPORT	D = DODGE	29 = SPECIALTY COUPE	EWE = 8.4L V10 SFI Engine	DEC = 6-Speed Manual Transmission
X = SPECIAL		27 = 2-DR CONVERTIBLE		

AR = use ase required - = Non illustrated part

# Group - 50

## Interior Trim

### Group - 50 Interior Trim

Illustration Title

Group-Fig. No.

#### Headliners-Visors-Assist Straps

Headliners and Visors .....Fig. 50 - 105

#### Panels-Moldings-Scuff Plates, Pillar, Cowl, 1/4 Panel Trim and Cargo Covers

Interior Moldings and Pillars.....Fig. 50 - 205

Cowl Side Panel and Scuff Plates .....Fig. 50 - 225

Quarter Trim Panel.....Fig. 50 - 235

Tonneau Cover .....Fig. 50 - 245

#### Carpets, Floor Mats, Load Floor, and Silencers

Carpet, Front .....Fig. 50 - 325

Carpet, Rear.....Fig. 50 - 335

#### Door Trim Panels-Front and Rear

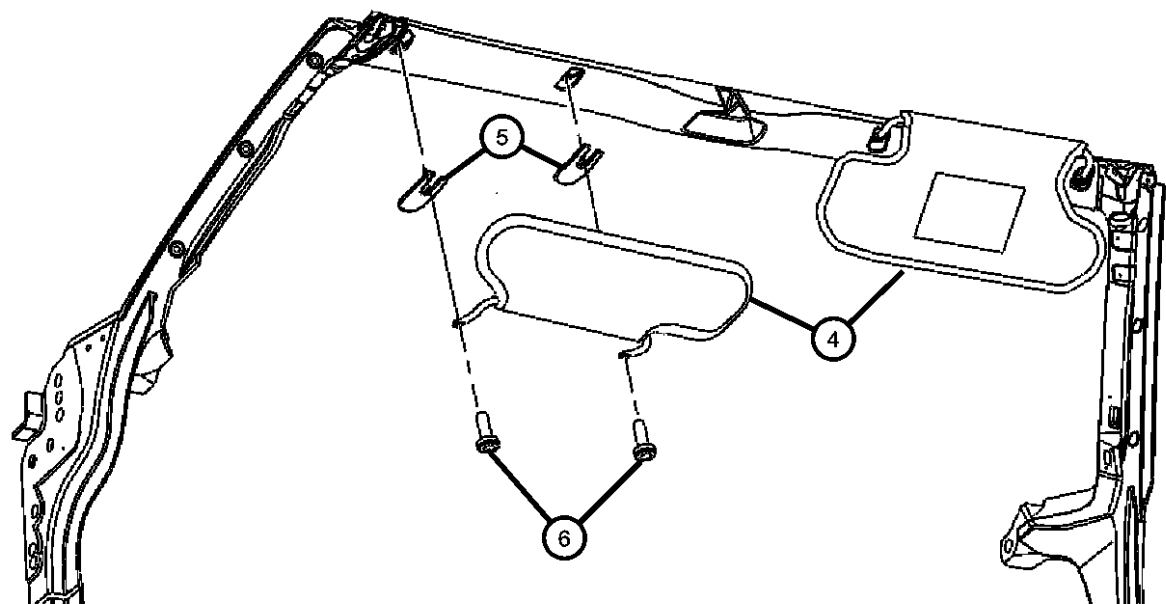
Front Door Trim Panels.....Fig. 50 - 405

#### Front Seats - First Row

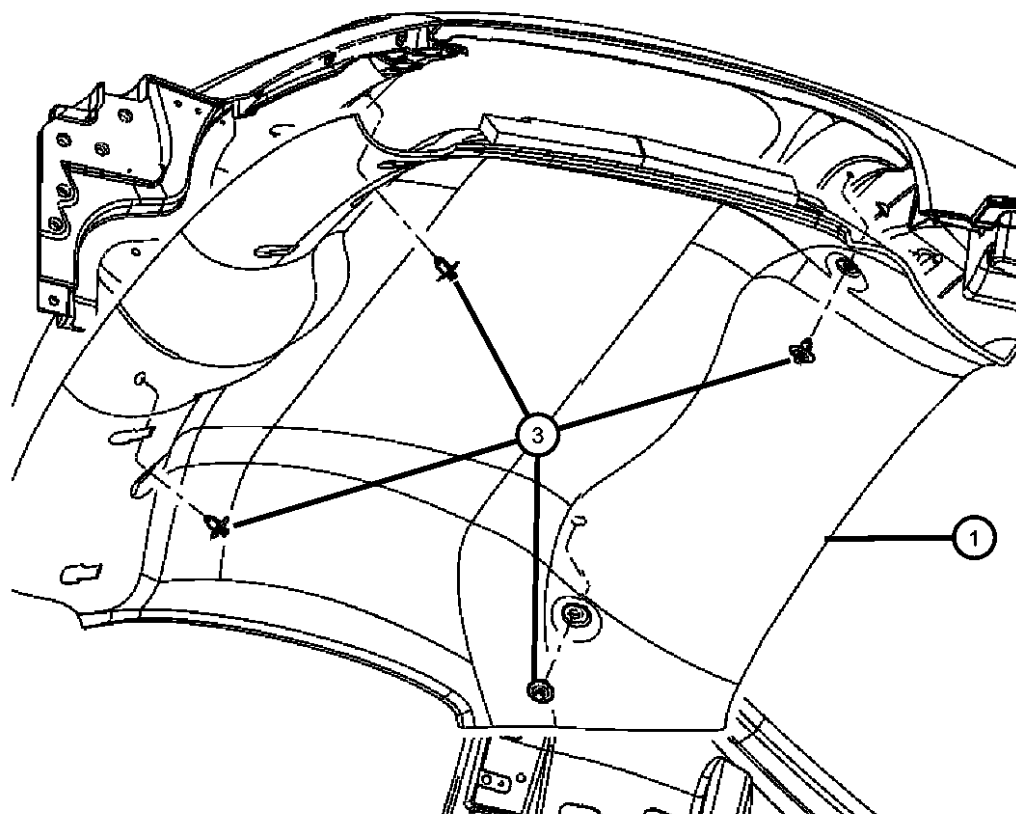
Front Seat - Bucket -Trim Code [CL] .....Fig. 50 - 502

<b>050-100</b> Headliners-Visors-Assist Straps	<b>050-200</b> Panels-Moldings-Scuff Plates, Pillar, Cowl, 1/4 Panel Trim and Cargo Covers	<b>050-300</b> Carpets, Floor Mats, Load Floor, and Silencers	<b>050-400</b> Door Trim Panels-Front and Rear
<b>050-500</b> Front Seats - First Row			

Headliners and Visors  
Figure 50-105



ITEM	PART NUMBER	QTY	LINE	SERIES	BODY	ENGINE	TRANS	TRIM	DESCRIPTION
1	1BK22DX9AC	1	D		29			*00	HEADLINER [X5]
		1	D		29			*00	[X9]
		1	D		29			*00	[XB]
		1	D		29			*00	[XR]
		1	D		29			*00	[XU]
-2	05029133AB	1	D		27				PANEL, Headliner
3	0WX68DX9AA	4	D		29			*00	RIVET
4									VISOR
	0UZ101X7AD	1	D		27, 29			*00	Right
	0UZ111X7AD	1	D		27, 29			*00	Left
5	1CR70DX9AB	4	D		29			*00	ESCUTCHEON, Visor
6	06507672AA	4	D		27, 29				SCREW

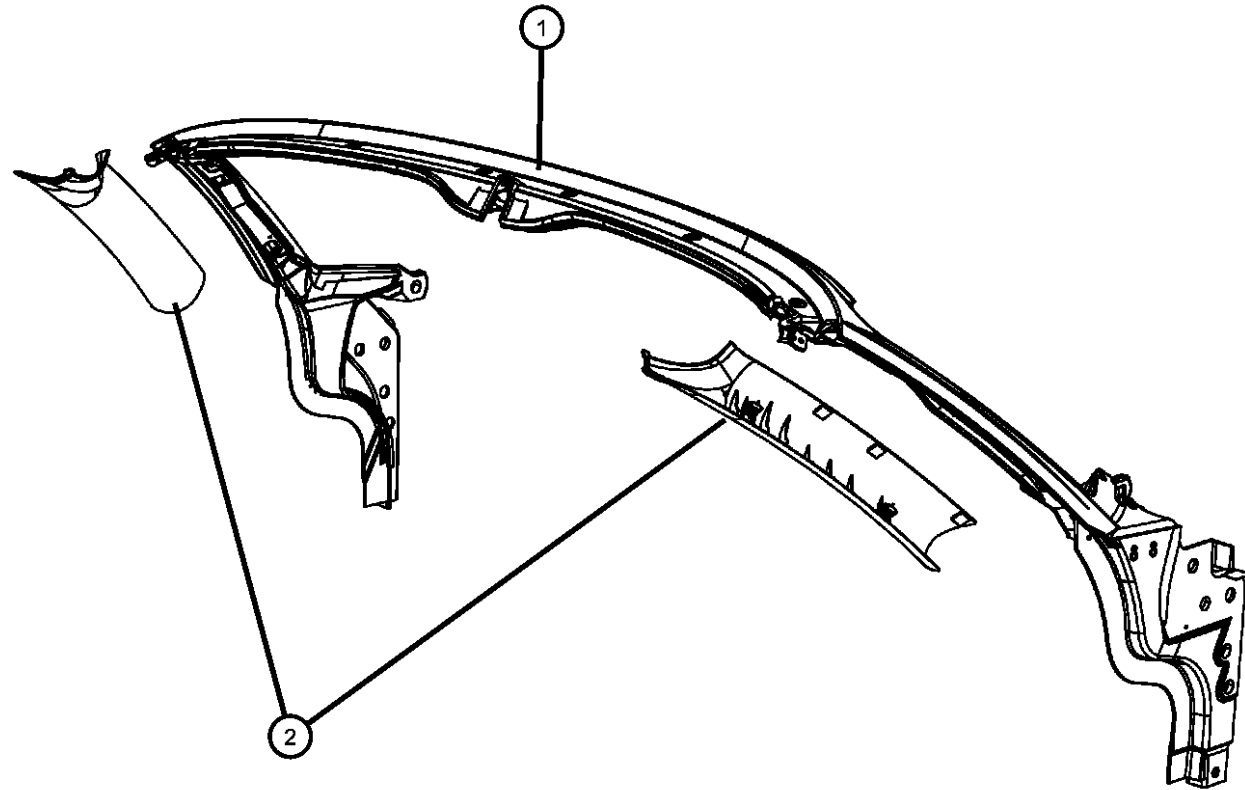


VIPER (ZB)

SERIES	LINE	BODY	ENGINE	TRANSMISSION
S = SPORT	D = DODGE	29 = SPECIALTY COUPE	EWE = 8.4L V10 SFI Engine	DEC = 6-Speed Manual Transmission
X = SPECIAL		27 = 2-DR CONVERTIBLE		

AR = use ase required - = Non illustrated part

**Interior Moldings and Pillars  
Figure 50-205**



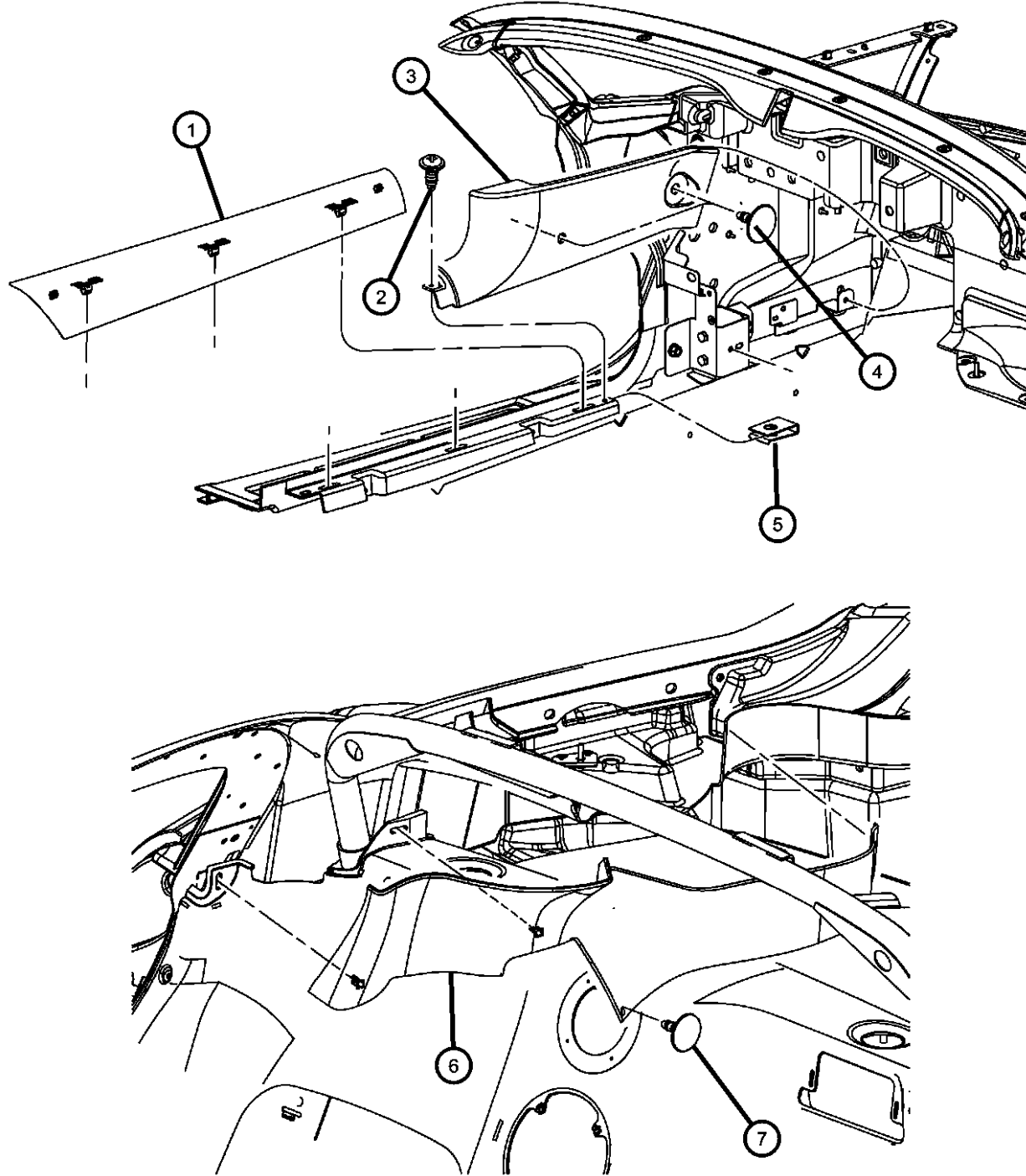
ITEM	PART NUMBER	QTY	LINE	SERIES	BODY	ENGINE	TRANS	TRIM	DESCRIPTION
1									FRAME, Windshield
	0TP57RXFAE	1	D		27				
	1BQ67ER-SAC	1	D		29			[RS]	
	1BQ67FCVAC	1	D		29			[CV]	
	1BQ67GB-CAC	1	D		29			[BC]	
	1BQ67GGSAC	1	D		29			[GS]	
	1BQ67GK3AC	1	D		29			[K3]	
	1BQ67TZZAC	1	D		29			[BE]	
		1	D		29			[RN]	
		1	D		29			[X3]	
2									MOLDING, Windshield Garnish
	0TR82RXFAB	1	D		27			*O0	Right
	0TR83RXFAB	1	D		27			*O0	Left
	1CF70DX9AC	1	D		29			*O0	Right
	1CF71DX9AC	1	D		29			*O0	Left

**VIPER (ZB)**

SERIES	LINE	BODY	ENGINE	TRANSMISSION
S = SPORT	D = DODGE	29 = SPECIALTY COUPE	EWE = 8.4L V10 SFI Engine	DEC = 6-Speed Manual Transmission
X = SPECIAL		27 = 2-DR CONVERTIBLE		

AR = use ase required - = Non illustrated part

**Cowl Side Panel and Scuff Plates**  
**Figure 50-225**



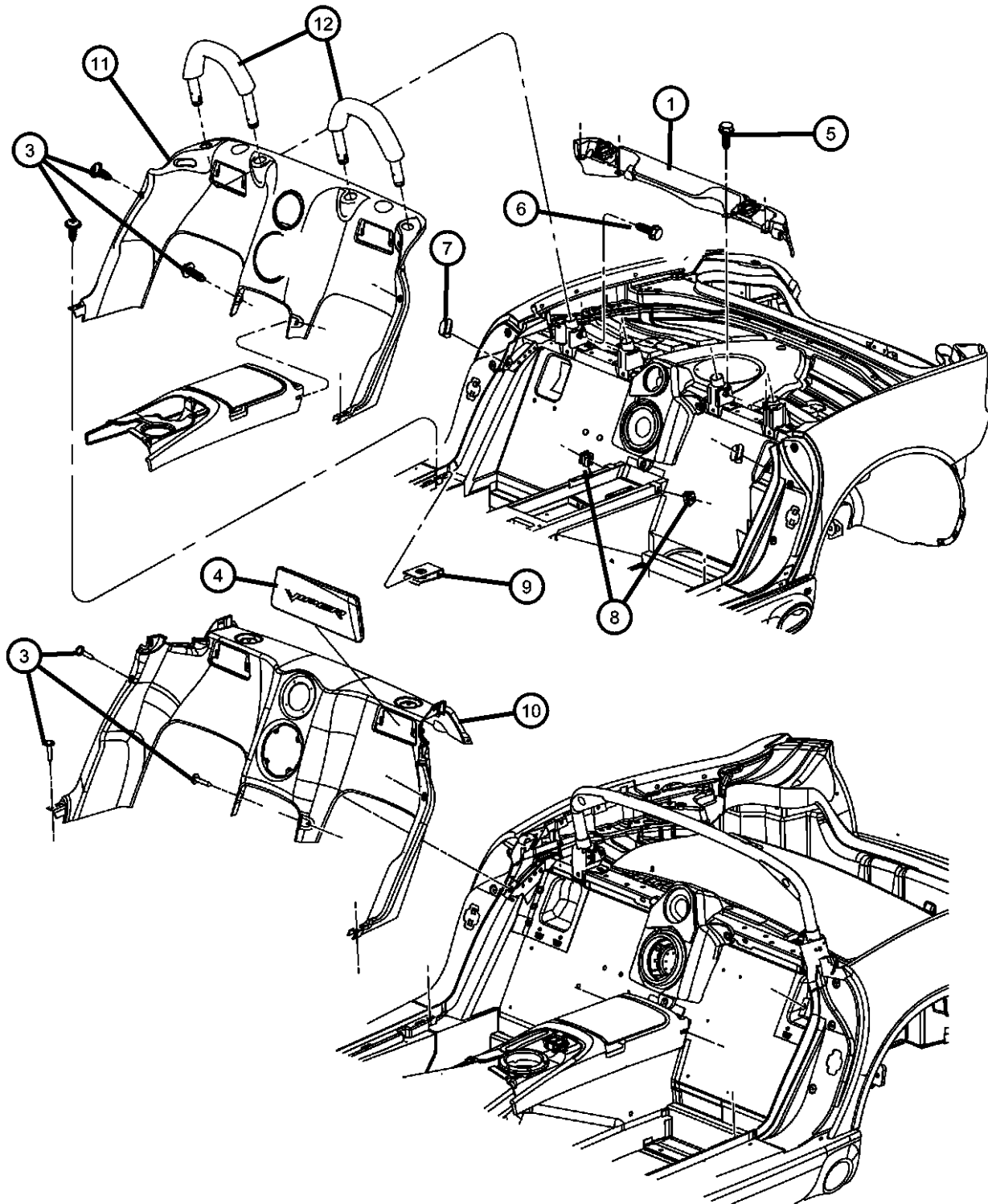
ITEM	PART NUMBER	QTY	LINE	SERIES	BODY	ENGINE	TRANS	TRIM	DESCRIPTION
1	0TR88DX9AD	1	D		27, 29			*00	SILL COVER, Interior Right
	0TR89DX9AD	1	D		27, 29			*00	Left
2	00153754	2	D		27, 29				SCREW, .190-16x1.00
3	0UR52DX9AA	1	D		27, 29			*00	PANEL, Cowl Side Trim Right
	0UR53DX9AA	1	D		27, 29			*00	Left
4	5DV62DX9	4	D		27, 29			*00	FASTENER, Trim Panel Attaching
5	00152493	9	D		27, 29				NUT
6	1BK24DX9AC	1	D		29			*00	PANEL, B Pillar [X5], Right
		1	D		29			*00	[X9], Right
		1	D		29			*00	[XB], Right
		1	D		29			*00	[XR], Right
		1	D		29			*00	[XU], Right
	1BK25DX9AC	1	D		29			*00	[X5], Left
		1	D		29			*00	[X9], Left
		1	D		29			*00	[XB], Left
		1	D		29			*00	[XR], Left
		1	D		29			*00	[XU], Left
7	0WX68DX9AA	2	D		29		*00	RIVET	

**VIPER (ZB)**

SERIES	LINE	BODY	ENGINE	TRANSMISSION
S = SPORT	D = DODGE	29 = SPECIALTY COUPE	EWE = 8.4L V10 SFI Engine	DEC = 6-Speed Manual Transmission
X = SPECIAL		27 = 2-DR CONVERTIBLE		

AR = use ase required - = Non illustrated part

Quarter Trim Panel  
Figure 50-235



ITEM	PART NUMBER	QTY	LINE	SERIES	BODY	ENGINE	TRANS	TRIM	DESCRIPTION
NOTE: Sales Code [SDP] = Service Dealer Paint									
1	05029072AB	1	D		27				PANEL, Bulkhead Trim
-2	05096016AB	1	D		27				PANEL, Bulkhead Support, Panel Only
3	00153754	2	D		27, 29				SCREW, .190-16x1.00
4									COVER, Bulkhead
	0XK36DX9AA	1	D		27, 29			*O0	Right
	0XK37DX9AA	1	D		27, 29			*O0	Left
5	06102103AA	4	D		27				SCREW AND WASHER, Hex Head, M6x1x20
6	06101722	4	D		27				SCREW AND WASHER, Hex Head, M8x1.25x60
7	06031869	2	D		27, 29				NUT, Push, .19
8	06032058	2	D		27, 29				NUT, Snap In
9	00152493	9	D		27, 29				NUT
10	1BH89DX9AC	1	D		29			*O0	PANEL, Bulkhead Trim
11	0TS04DX9AB	1	D		27			*O0	PANEL, Bulkhead Trim
12									SPORT HOOP, Bulkhead
	0TS38DX9AB	1	D		27			*O0	Right
	0TS39DX9AB	1	D		27			*O0	Left

VIPER (ZB)

SERIES	LINE	BODY	ENGINE	TRANSMISSION
S = SPORT	D = DODGE	29 = SPECIALTY COUPE	EWE = 8.4L V10 SFI Engine	DEC = 6-Speed Manual Transmission
X = SPECIAL		27 = 2-DR CONVERTIBLE		

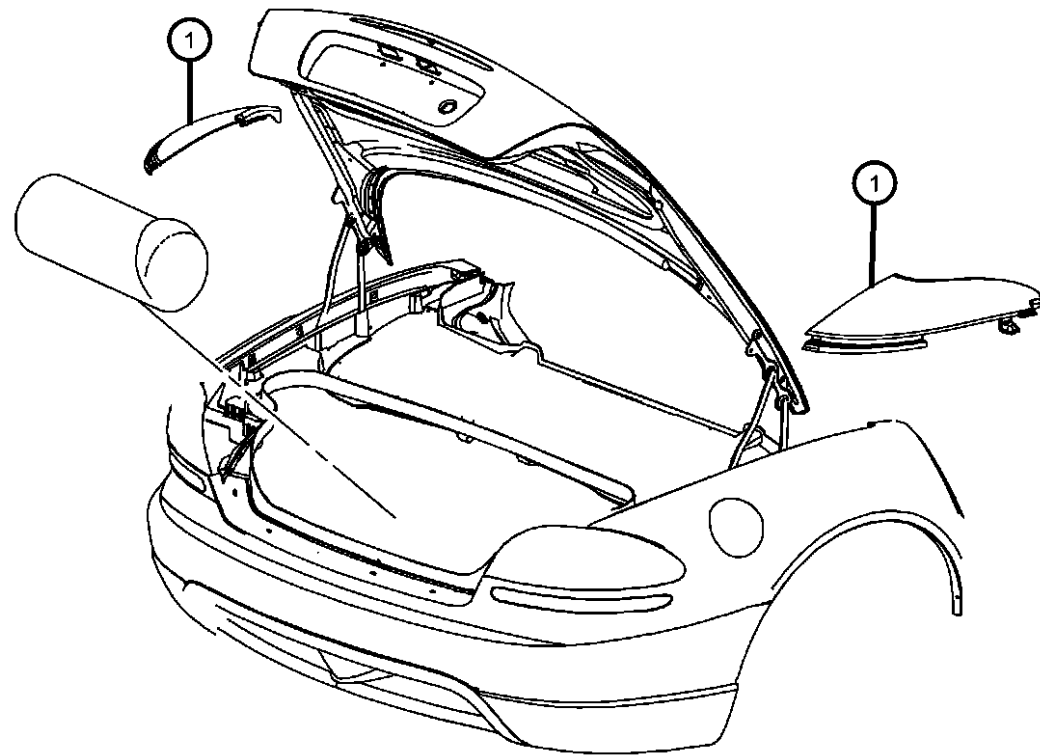
AR = use ase required - = Non illustrated part

2008 ZB



Tonneau Cover  
Figure 50-245

ITEM	PART NUMBER	QTY	LINE	SERIES	BODY	ENGINE	TRANS	TRIM	DESCRIPTION
1	0WX03DX9AA	1	D		27				COVER, Tonneau



VIPER (ZB)

SERIES  
S = SPORT  
X = SPECIAL

LINE  
D = DODGE

BODY  
29 = SPECIALTY COUPE  
27 = 2-DR CONVERTIBLE

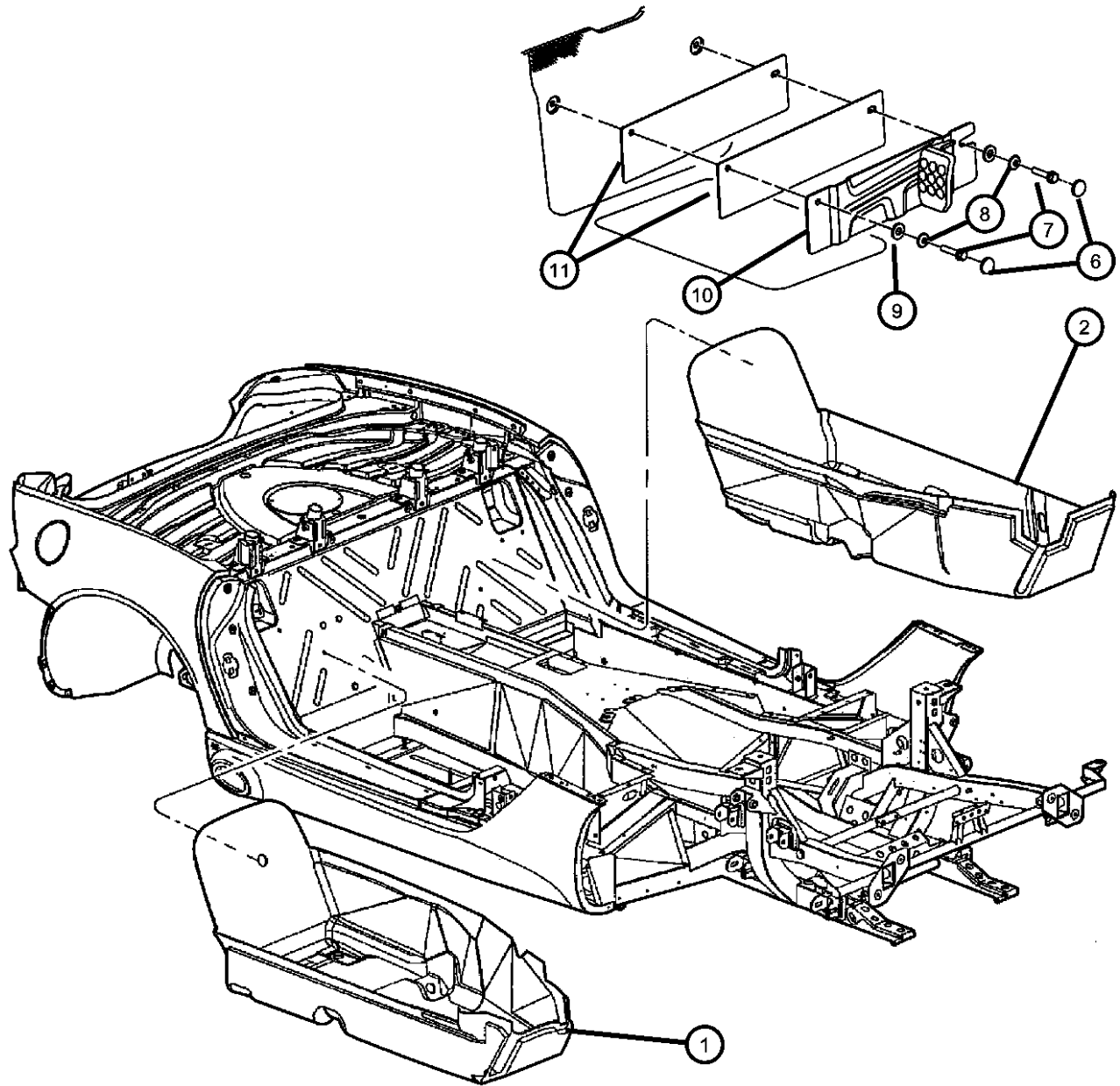
ENGINE  
EWE = 8.4L V10 SFI Engine

TRANSMISSION  
DEC = 6-Speed Manual Transmission

AR = use ase required - = Non illustrated part

2008 ZB

**Carpet, Front**  
**Figure 50-325**



ITEM	PART NUMBER	QTY	LINE	SERIES	BODY	ENGINE	TRANS	TRIM	DESCRIPTION
------	-------------	-----	------	--------	------	--------	-------	------	-------------

Sales Code  
[CLL] = Floor Mats - Luxury

1	0TU02DX9AC	1	D		27, 29			*00	CARPET, Front Floor
2	0TU02DX9AC	1	D		27, 29			*00	CARPET, Front Floor
-3	0TU02DX9AC	1							PAD, Foot Rest, (NOT SERVICED)
-4	05029434AA	3	D		27, 29				INSULATOR
-5	05029435AA	1	D		27, 29			*00	INSULATOR, Floor carpet It
6	05290331AB	2	D		27, 29				CAP
7	06101630	2	D		27, 29				SCREW
8	05290332AA	2	D		27, 29				RETAINER
9	05290365AB	2	D		27, 29				WASHER
10	04865929AD	1	D		27, 29				FOOTREST
11	05290322AB	2	D		27, 29				SPACER

**VIPER (ZB)**

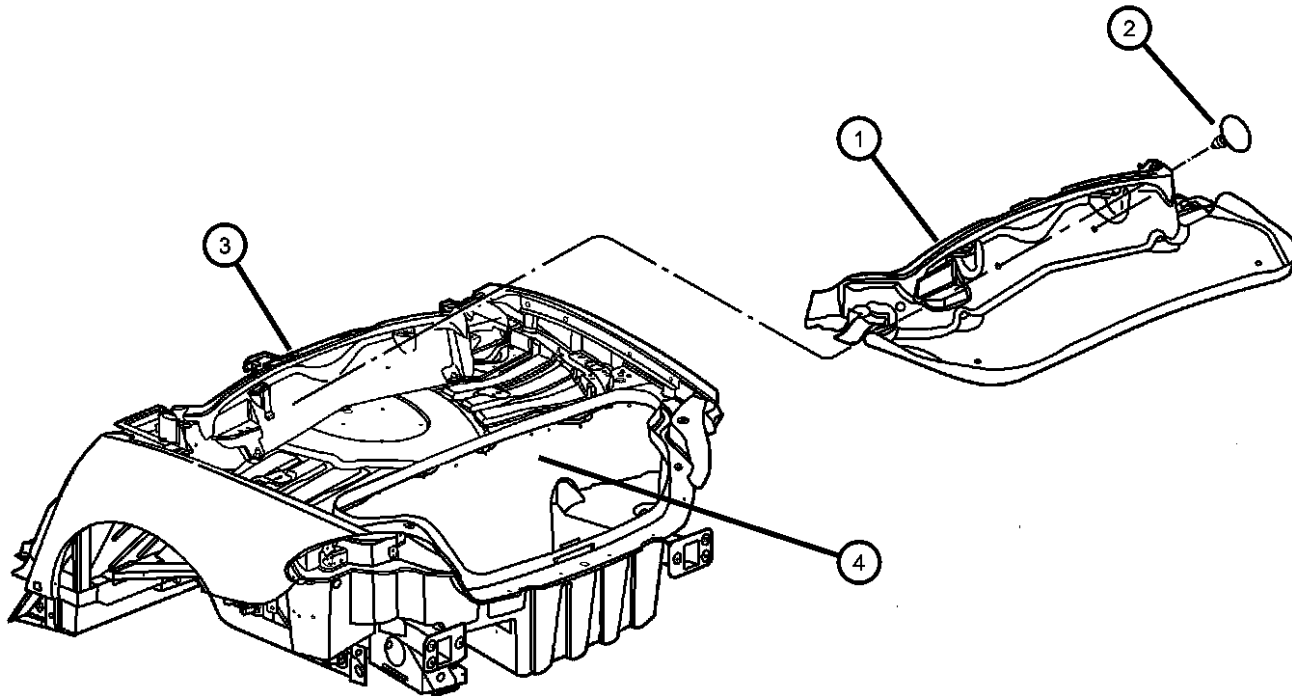
SERIES	LINE	BODY	ENGINE	TRANSMISSION
S = SPORT	D = DODGE	29 = SPECIALTY COUPE	EWE = 8.4L V10 SFI Engine	DEC = 6-Speed Manual Transmission
X = SPECIAL		27 = 2-DR CONVERTIBLE		

AR = use ase required - = Non illustrated part

2008 ZB

Carpet, Rear  
Figure 50-335

ITEM	PART NUMBER	QTY	LINE	SERIES	BODY	ENGINE	TRANS	TRIM	DESCRIPTION
1									SLINGWELL, Folding Top
	0TU06VXLAB	1	D		27			*O0	
	1BK20VXLAC	1	D		29			*O0	
2	5DV62DX9	4	D		27, 29			*O0	FASTENER, Trim Panel Attaching
3	5DV62DX9	4							PANEL, Bulkhead Trim Rear, Reference, (NOT SERVICED)
4									TRAY KIT, Cargo - Flexible
	05029825AA	2	D		27, 29				Right & Left
	05029835AC	1	D		27				Front Wall
	05029836AD	1	D		27, 29				Rear Wall



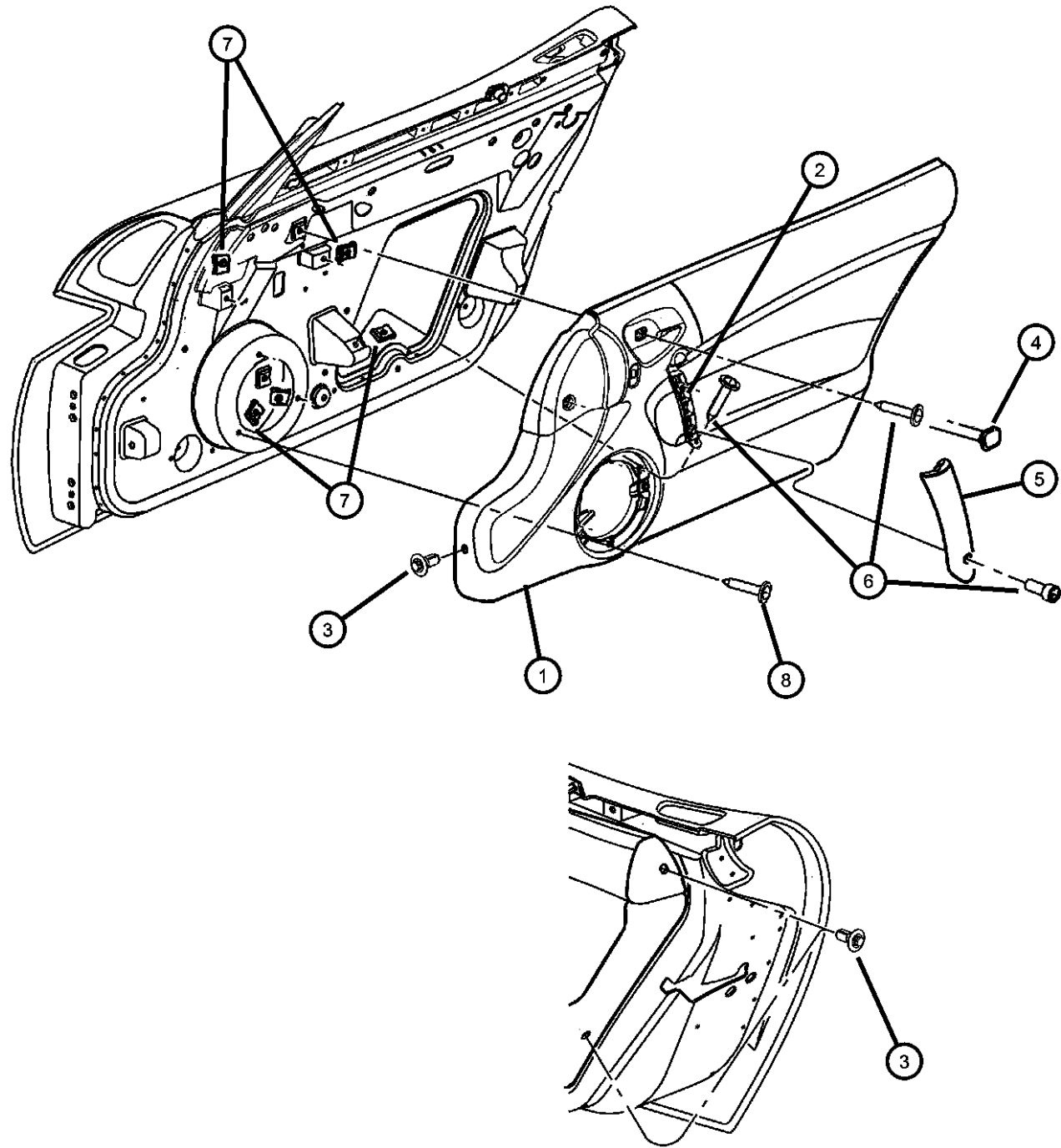
VIPER (ZB)

SERIES	LINE	BODY	ENGINE	TRANSMISSION
S = SPORT	D = DODGE	29 = SPECIALTY COUPE	EWE = 8.4L V10 SFI Engine	DEC = 6-Speed Manual Transmission
X = SPECIAL		27 = 2-DR CONVERTIBLE		

AR = use ase required - = Non illustrated part

2008 ZB

**Front Door Trim Panels  
Figure 50-405**



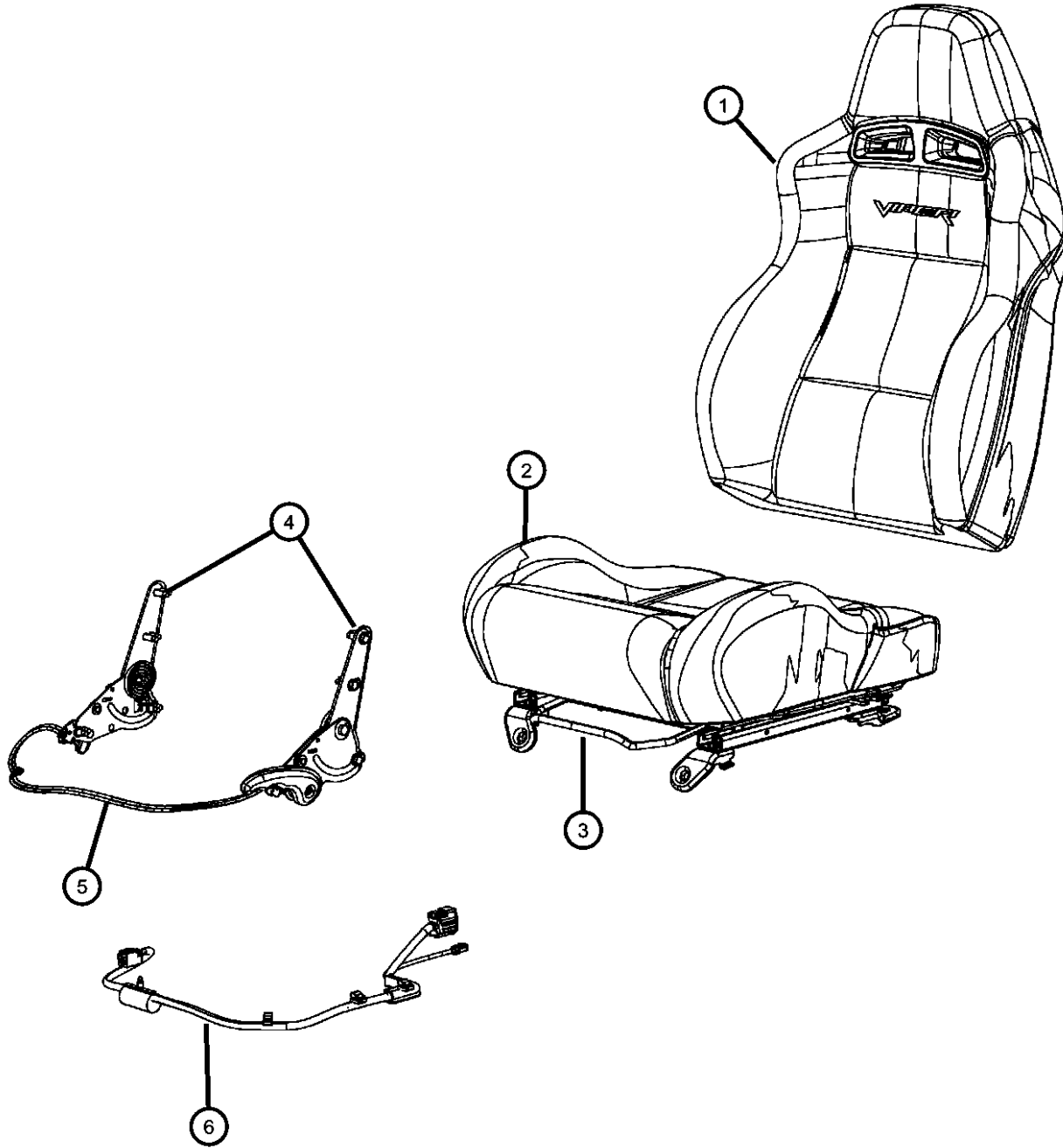
ITEM	PART NUMBER	QTY	LINE	SERIES	BODY	ENGINE	TRANS	TRIM	DESCRIPTION
1									PANEL, Door Trim Front
	0XC871X9AB	1	D		27, 29			*00	Left
	0XC921X9AB	1	D		27, 29			*00	Right
2									HANDLE
	05083950AB	1	D		27, 29			*00	Right
	05096019AB	1	D		27, 29			*00	Left
3	5GC71DX9AA	6	D		27, 29			*00	FASTENER, Push Pin
4	0LE82RX9	2	D		27, 29			*00	CAP, Pull Cup Screw Cover
5									APPLIQUE, Door
	0UA36SZ6AA	1	D		27, 29			*00	Right
	0UA37SZ6AA	1	D		27, 29			*00	Left
6	06036430AA	2	D		27, 29				SCREW
7	06036430AA	2							NUT/SPRING, "U" 1 THD, .190-16, (NOT SERVICED)
8	00153754	2	D		29				SCREW, .190-16x1.00
-9	05083940AA	1	D		27, 29			*00	BRACKET, Speaker

**VIPER (ZB)**

SERIES	LINE	BODY	ENGINE	TRANSMISSION
S = SPORT	D = DODGE	29 = SPECIALTY COUPE	EWE = 8.4L V10 SFI Engine	DEC = 6-Speed Manual Transmission
X = SPECIAL		27 = 2-DR CONVERTIBLE		

AR = use ase required - = Non illustrated part

Front Seat - Bucket -Trim Code [CL]  
Figure 50-502



ITEM	PART NUMBER	QTY	LINE	SERIES	BODY	ENGINE	TRANS	TRIM	DESCRIPTION
1	0XD051X9AA	1	D		27, 29			*CL	SEAT BACK, Front
	1CW781X9AA	1	D		27, 29			*GL	
2	0XD011X9AA	1	D		27, 29			*GL	CUSHION, Front Seat
		1	D		27, 29			*CL	Left
	0XD021X9AA	1	D		27, 29			*CL	Right
		1	D		27, 29			*GL	Right
3	05093210AA	1	D		27, 29			*CL	TOWEL BAR, Seat Adjuster Handle
		1	D		27, 29			*CL	Export
4	05093212AA	1	D		27, 29			*CL	RECLINER, Seat Back
		1	D		27, 29			*CL	Export, Right, Outboard
	05093213AA	1	D		27, 29			*CL	, Right, Outboard
		1	D		27, 29			*CL	Export, Right, Inboard
		1	D		27, 29			*CL	Right, Inboard
	05093214AA	1	D		27, 29			*CL	Export, Left, Inboard
		1	D		27, 29			*CL	Left, Inboard
	05093215AA	1	D		27, 29			*CL	Export, Left, Outboard
		1	D		27, 29			*CL	Left, Outboard
5	68027816AA	1	D		27, 29			*CL	CABLE, Recliner
		1	D		27, 29			*CL	Export
6	68042576AA	1	D		27, 29			*CL	WIRING, Seat
	68042577AA	1	D		27, 29			*CL	Left

VIPER (ZB)

SERIES  
S = SPORT  
X = SPECIAL

LINE  
D = DODGE

BODY  
29 = SPECIALTY COUPE  
27 = 2-DR CONVERTIBLE

ENGINE  
EWE = 8.4L V10 SFI Engine

TRANSMISSION  
DEC = 6-Speed Manual Transmission

AR = use ase required - = Non illustrated part

2008 ZB

# Group - 60

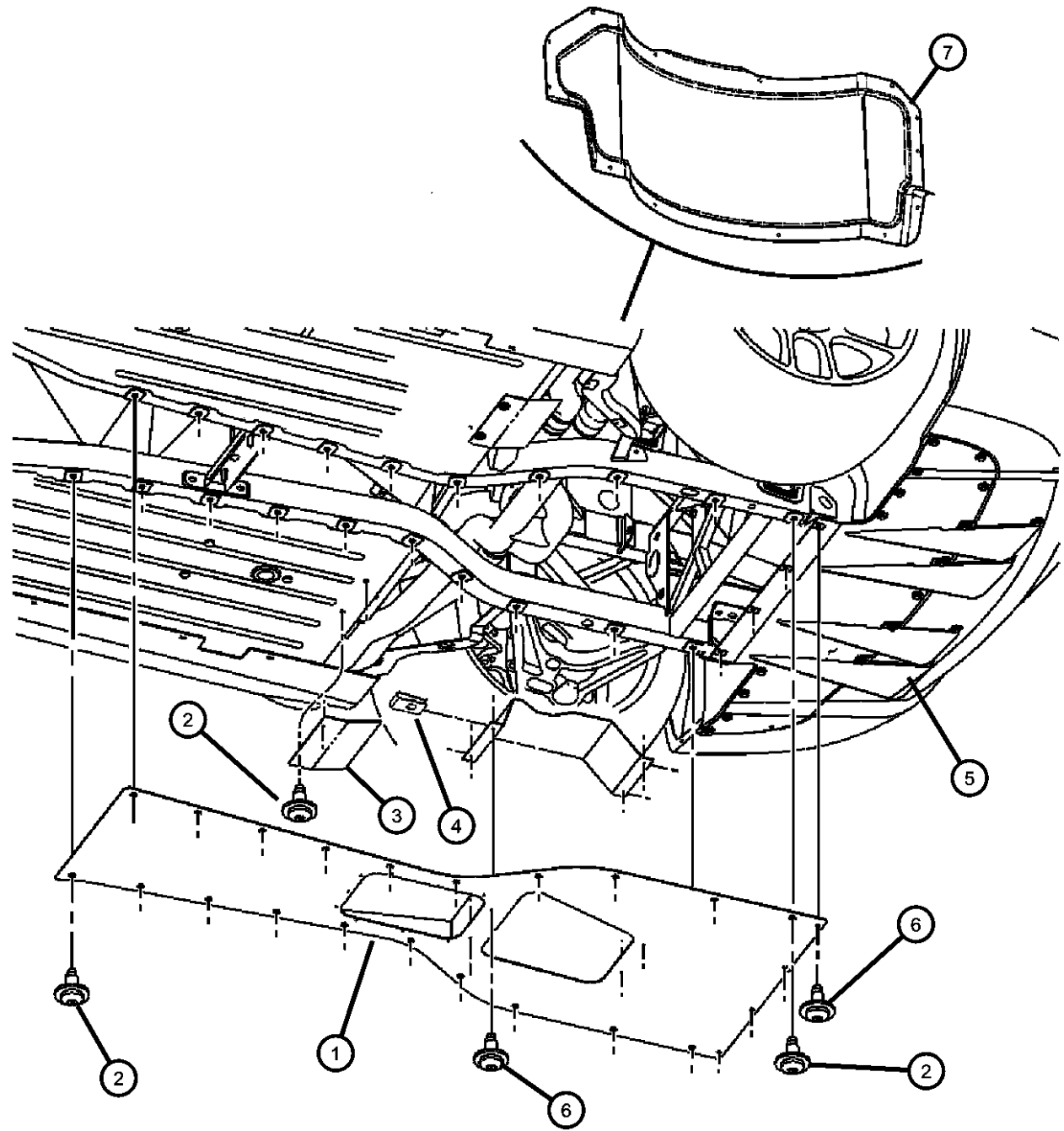
## Body Sheet Metal Except Doors

### Group - 60 Body Sheet Metal Except Doors

Illustration Title	Group-Fig. No.
<b>Floor Pans</b>	
Floor Pan .....	Fig. 60 - 106
Floor Pan Attaching Parts .....	Fig. 60 - 107
Floor Pan Sport Hoop Mounting .....	Fig. 60 - 108
Pan - Trunk .....	Fig. 60 - 109
<b>Fenders</b>	
Front Fender.....	Fig. 60 - 305
Front Fender Shields.....	Fig. 60 - 350
Front Fender Shields.....	Fig. 60 - 355
Loose Panels .....	Fig. 60 - 360
<b>Hood and Hood Release</b>	
Hood and Related Parts .....	Fig. 60 - 405
Hood Sealer .....	Fig. 60 - 410
<b>Cowl and Dash Panel</b>	
Cowl.....	Fig. 60 - 525
Dash Panel .....	Fig. 60 - 550
<b>Aperture Panel and Pillar Supports</b>	
Quarter Panel - Rear.....	Fig. 60 - 656
Panel - Tail Lamp.....	Fig. 60 - 657
Loose Panels .....	Fig. 60 - 658
<b>Body Structure Welds, Weatherstrips, Seals, Sealers and Adhesives</b>	
Body Weatherstrips and Seals .....	Fig. 60 - 805
<b>Roof</b>	
Roof Panel.....	Fig. 60 - 905
Folding Top - 27 Body .....	Fig. 60 - 956
Folding Top Attaching Parts - 27 Body .....	Fig. 60 - 957
<b>Deck Lid</b>	
Liftgate - 29-Body .....	Fig. 60 - 1109
Decklid - 27 Body .....	Fig. 60 - 1120

<b>060-100</b> Floor Pans	<b>060-1100</b> Deck Lid	<b>060-300</b> Fenders	<b>060-400</b> Hood and Hood Release
<b>060-500</b> Cowl and Dash Panel	<b>060-600</b> Aperture Panel and Pillar Supports	<b>060-800</b> Body Structure Welds, Weatherstrips, Seals, Sealers and Adhesives	<b>060-900</b> Roof

Floor Pan  
Figure 60-106



ITEM	PART NUMBER	QTY	LINE	SERIES	BODY	ENGINE	TRANS	TRIM	DESCRIPTION
1	05290078AG	1	D		27, 29				BELLY PAN, Rear
2	06505070AA	4	D		27, 29				SCREW, Pan Head
3	05290221AB	2	D		27, 29				EXTENSION, Floor Pan
4	00152493	9	D		27, 29				NUT
5	05290137AD	1	D		27, 29				BELLY PAN, Extension Rear
6	06035625	9	D		27, 29				SCREW, [.190-16x.750]
7	05136832AA	1	D		27				PANEL, Fuel Tank Close Out, Service Repair Panel
-8									COVER, Battery
	05029087AA	1	D		27				
		1	D		29				

VIPER (ZB)

SERIES

S = SPORT  
X = SPECIAL

LINE

D = DODGE

BODY

29 = SPECIALTY COUPE  
27 = 2-DR CONVERTIBLE

ENGINE

EWE = 8.4L V10 SFI Engine

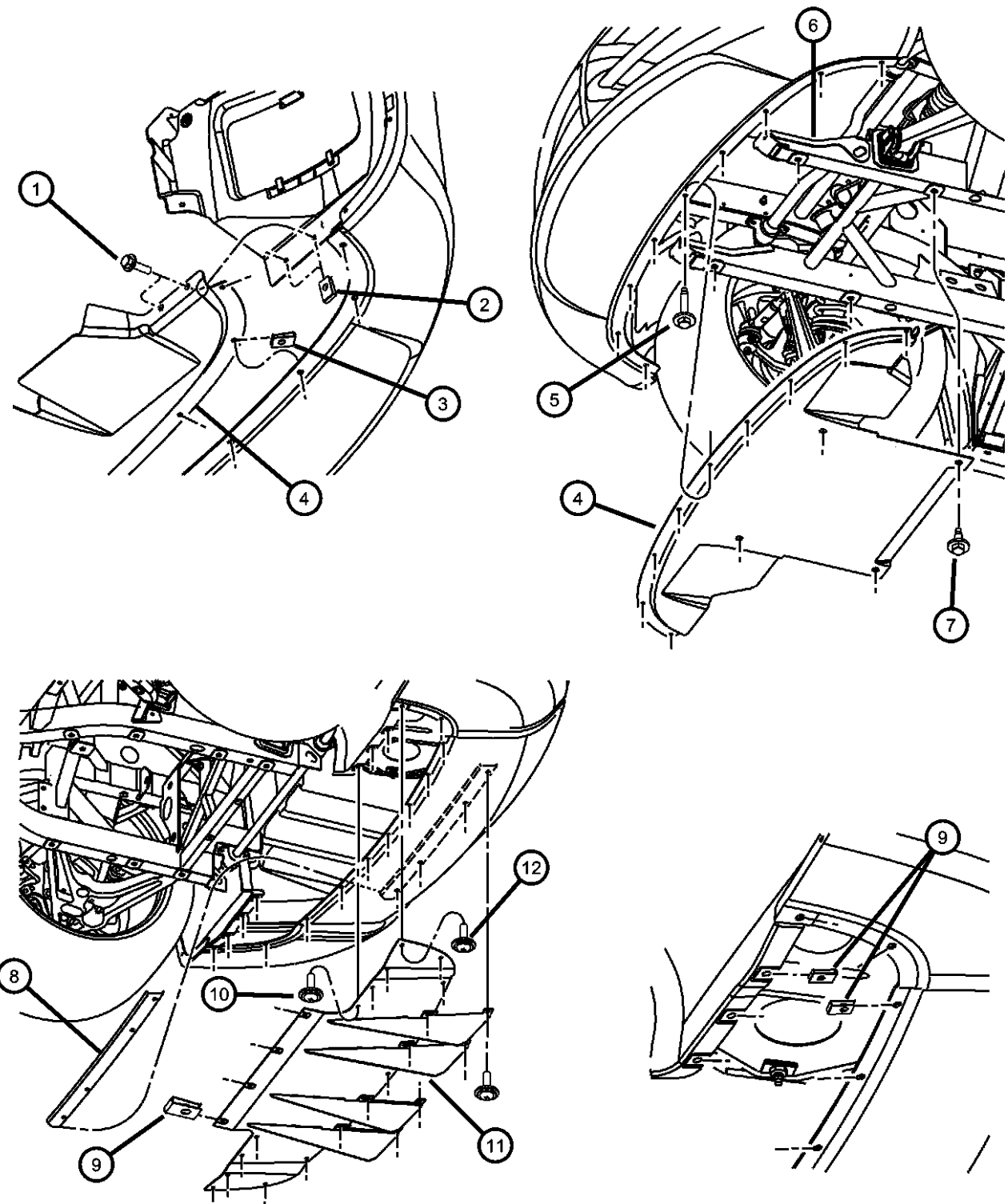
TRANSMISSION

DEC = 6-Speed Manual Transmission

AR = use ase required - = Non illustrated part

2008 ZB

Floor Pan Attaching Parts  
Figure 60-107



ITEM	PART NUMBER	QTY	LINE	SERIES	BODY	ENGINE	TRANS	TRIM	DESCRIPTION
1	06035625	8	D		27, 29				SCREW, [.190-16x.750]
2	06504118	2	D		27, 29				U-NUT, M6 x 1.00, M6x1.00
3	00152493	8	D		27, 29				NUT
4	05290136AD	1	D		27, 29				BELLY PAN, Extension Front
5	06035625	6	D		27, 29				SCREW, [.190-16x.750]
6	06035625	6							FRAME, Reference, (NOT SERVICED)
7	06505070AA	4	D		29				SCREW, Pan Head
8	05290246AB	1	D		27, 29				PLATE, Fascia
9	00152493	8	D		27, 29				NUT
10	06035625	4	D		27, 29				SCREW, [.190-16x.750]
11	05290137AD	1	D		27, 29				BELLY PAN, Extension Rear
12	06035625	4	D		27, 29				SCREW, [.190-16x.750]
-13									REINFORCEMENT, Trunk Pan
	05029233AA	2	D		27				
		2	D		29				

VIPER (ZB)

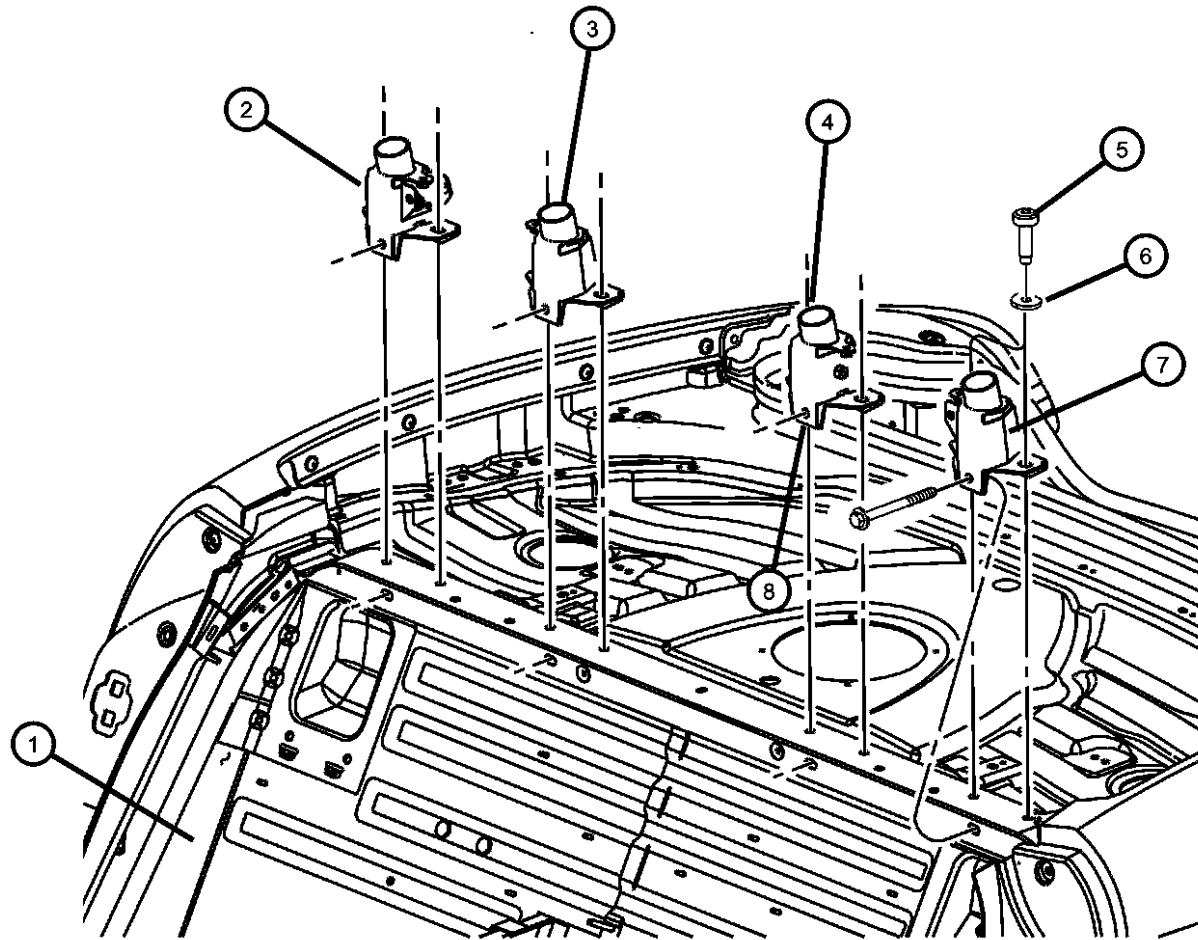
SERIES	LINE	BODY	ENGINE	TRANSMISSION
S = SPORT	D = DODGE	29 = SPECIALTY COUPE	EWE = 8.4L V10 SFI Engine	DEC = 6-Speed Manual Transmission
X = SPECIAL		27 = 2-DR CONVERTIBLE		

AR = use ase required - = Non illustrated part

2008 ZB



**Floor Pan Sport Hoop Mounting  
Figure 60-108**



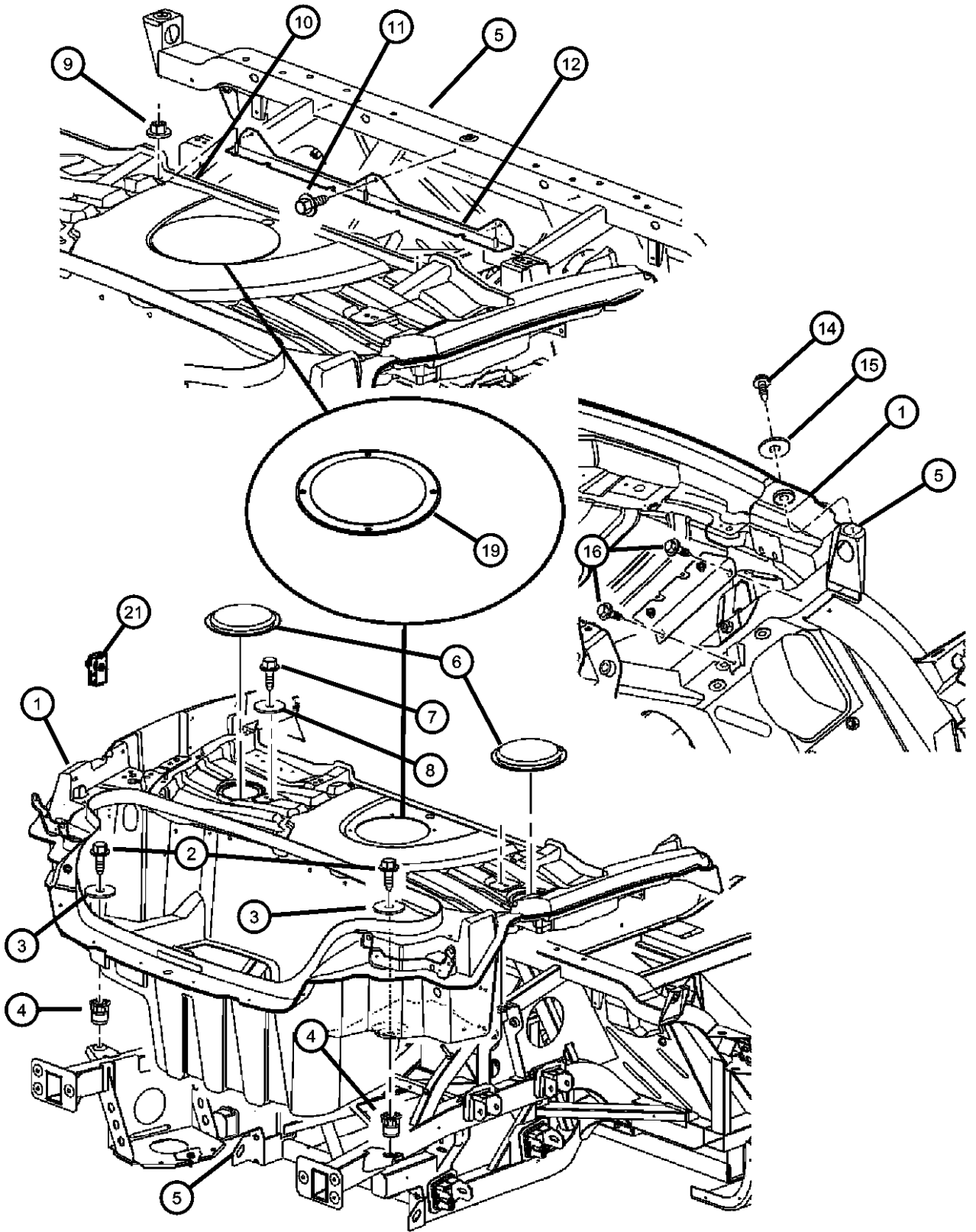
ITEM	PART NUMBER	QTY	LINE	SERIES	BODY	ENGINE	TRANS	TRIM	DESCRIPTION
1		2							FRAME, Reference, (NOT SERVICED)
2	05290108AA	1	D		27				BRACKET, Sport Hoop Mounting
3	05290048AA	1	D		27				BRACKET, Sport Hoop Mounting
4	05290049AA	1	D		27				BRACKET, Sport Hoop Mounting
5	06034383	8	D		27, 29				SCREW, Pan Head, .437-20x1.5
6	06034710	2	D		27, 29				WASHER, Flat
7	05290109AA	1	D		27				BRACKET, Sport Hoop Mounting
8	06102122AA	4	D		27, 29				BOLT AND WASHER, Hex Head, M10X1.50X100

**VIPER (ZB)**

SERIES	LINE	BODY	ENGINE	TRANSMISSION
S = SPORT	D = DODGE	29 = SPECIALTY COUPE	EWE = 8.4L V10 SFI Engine	DEC = 6-Speed Manual Transmission
X = SPECIAL		27 = 2-DR CONVERTIBLE		

AR = use ase required - = Non illustrated part

Pan - Trunk  
Figure 60-109



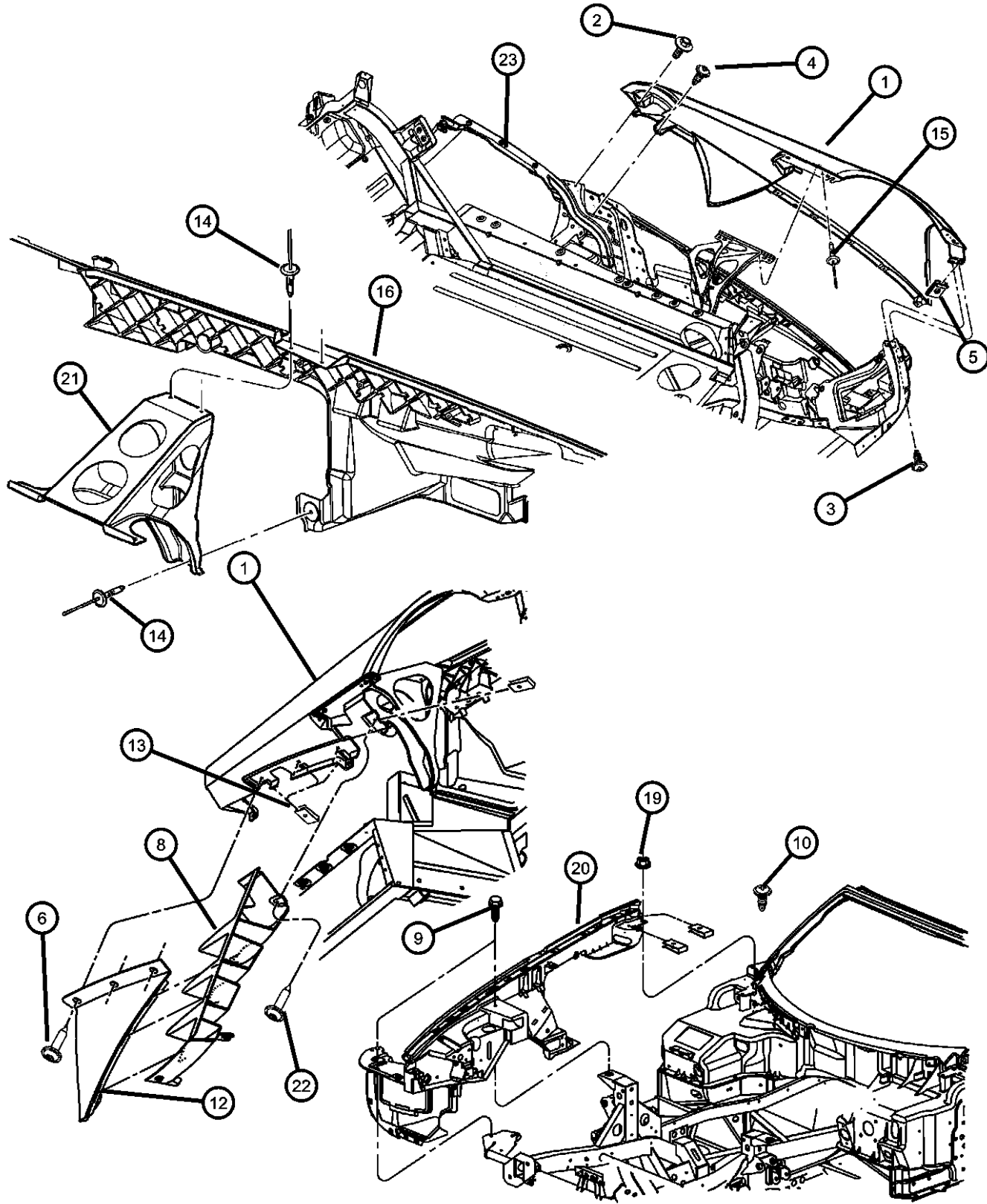
ITEM	PART NUMBER	QTY	LINE	SERIES	BODY	ENGINE	TRANS	TRIM	DESCRIPTION
Note: S.D.P.= Service Dealer Paint									
1									PAN, Trunk Primed
	04865472AH	1	D		27				
	05030093AE	1	D		29				
2	05030093AE	1							SCREW AND WASHER, [M8x1.25x30.00], (NOT SERVICED)
3	05030093AE	1							WASHER, [ID13.07 OD48.00 THK 3.50], (NOT SERVICED)
4	05030093AE	1							NUT/RIVET, [M8x1.25x17.78], (NOT SERVICED)
5	05030093AE	1							FRAME, Reference, (NOT SERVICED)
6	04708057	2	D		27, 29				PLUG, Trunk Seal
7	04708057	2							SCREW, [M8x1.25x25.00], (NOT SERVICED)
8	04708057	2							WASHER, [ID13.07 OD48.00 THK 3.50], (NOT SERVICED)
9	34201358	4	D		27, 29				NUT AND WASHER, Hex Nut-Sealing Washer, M6 x 1.00
10	34201358	4							SEAL, Serviced With Item 1, (NOT SERVICED)
11	06102132AA	7	D		27, 29				SCREW, Hex Head, M6x1x20
12	04865772AA	1	D		29				BRACKET, Trunk Pan To Frame C/Member
-13	05029519AA	2	D		27, 29				ISOLATOR, FOAM
14	06102132AA	7	D		27, 29				SCREW, Hex Head, M6x1x20
15	06102132AA	7							WASHER, Flat, [ID M11.12 OD 28.00 THK 2.80], (NOT SERVICED)
16	06102132AA	7	D		27, 29				SCREW, Hex Head, M6x1x20
-17	05030415AA	2	D		27, 29				SEAL, Quarter Panel to Trunkpan
-18	05029442AA	4	D		27, 29				SEAL, Quarter Panel to Trunkpan
19									PANEL, Fuel Access, Trunk
	05029239AA	1	D		27				
		1	D		29				
-20									BRACKET, Tail Lamp
	05029120AA	1	D		27				Right
	05029121AA	1	D		27				Left
21	06101956	1	D		27, 29				NUT, U, M6x1.00, Battery Cover to Trunk Pan

VIPER (ZB)

SERIES	LINE	BODY	ENGINE	TRANSMISSION
S = SPORT	D = DODGE	29 = SPECIALTY COUPE	EWE = 8.4L V10 SFI Engine	DEC = 6-Speed Manual Transmission
X = SPECIAL		27 = 2-DR CONVERTIBLE		

AR = use ase required - = Non illustrated part

Front Fender  
Figure 60-305



ITEM	PART NUMBER	QTY	LINE	SERIES	BODY	ENGINE	TRANS	TRIM	DESCRIPTION
------	-------------	-----	------	--------	------	--------	-------	------	-------------

Note: [P.A.R.] = Paint As Required

1									FENDER, Front
	05029102AE	1	D		27, 29				Right
	05029103AE	1	D		27, 29				Left
2	06507167AA	2	D		27, 29				SCREW, [M5x0.8x28.0]
3	06035625	2	D		27, 29				SCREW, [.190-16x.750]
4	06035625	2							SCREW, .190-16x.500, (NOT SERVICED)
5	06504118	8	D		27, 29				U-NUT, M6 x 1.00, M6x1.00
6	06036547AA	2	D		27, 29				SCREW, [.164-18x.780]
-7	05029830AA	2	D		27, 29				BRACKET, Grille
8									GRILLE, Fender
	05029276AC	1	D		27, 29				Right
	05029277AC	1	D		27, 29				Left
9	06507167AA	16	D		27, 29				SCREW
10	06507167AA	16							SCREW, Tapping, .164-18x.625, Fender Support Attaching at Cowl, (NOT SERVICED)
-11	06507769AA	2	D		27, 29				STUD, 1 End, M5x0.80x20.00
12									COVER, Hinge
	05029244AA	1	D		27, 29				Right
	05029245AA	1	D		27, 29				Left
13	05029245AA	1							STUD, 2-End [.190-24x.875], (NOT SERVICED)
14	06034645	4	D		27, 29				RIVET, .25 Grip-.06-.25
15	06034645	4							RIVET, Blind, Three Leg, [.187], (NOT SERVICED)
16									SUPPORT, Fender
	04865636AF	1	D		27, 29				Right
	04865637AG	1	D		27, 29				Left
-17									SHIM
	05029489AA	AR	D		27, 29				Left
	05029490AA	AR	D		27, 29				Right
-18									SHIM, Fender
	05290512AA	AR	D		27, 29				Right
	05290513AA	AR	D		27, 29				Left
19	06101809	4	D		27, 29				NUT AND WASHER, Hex, M8x1.25
20									SUPPORT, Fender
	04865636AF	1	D		27, 29				Right

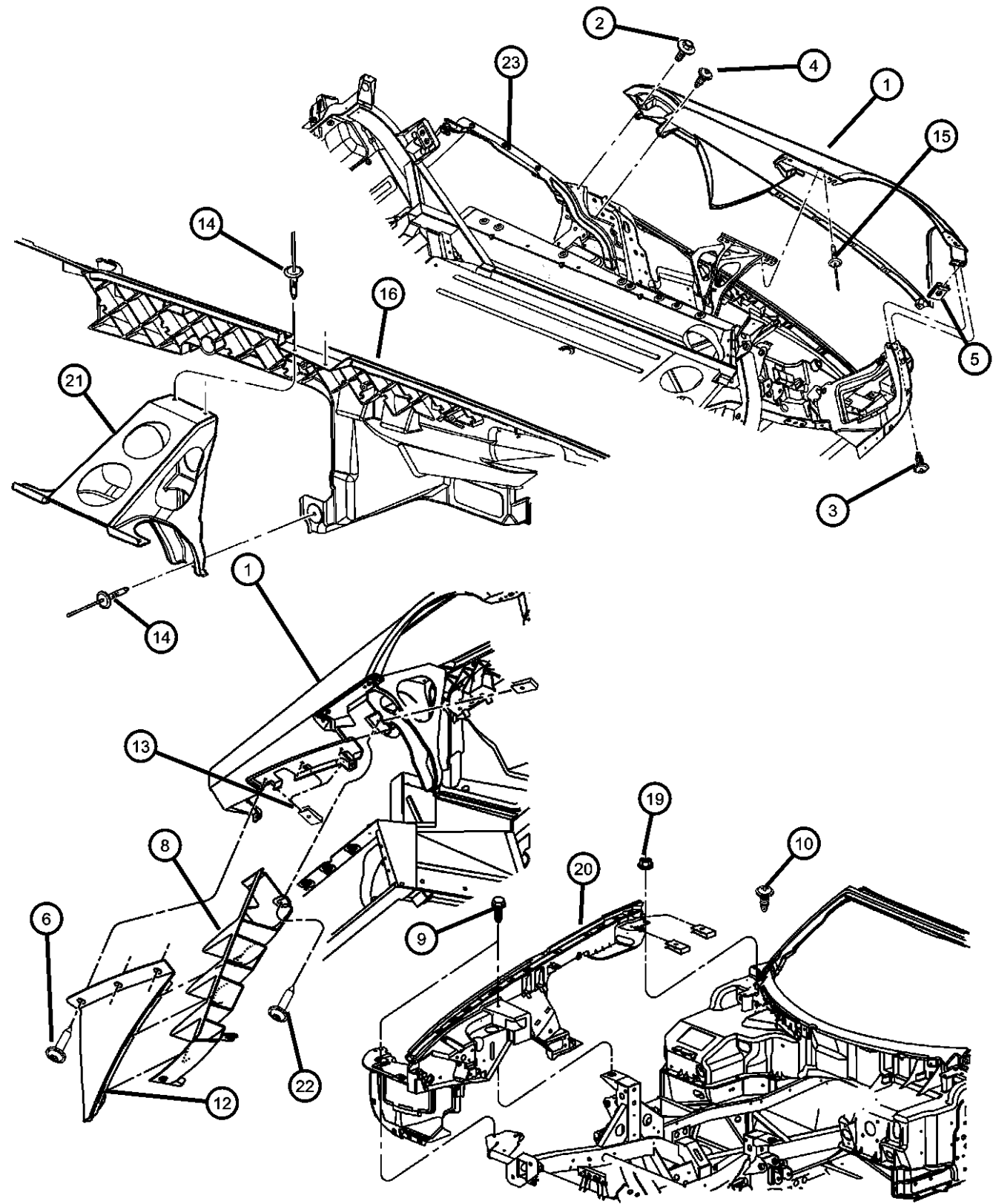
VIPER (ZB)

SERIES	LINE	BODY	ENGINE	TRANSMISSION
S = SPORT	D = DODGE	29 = SPECIALTY COUPE	EWE = 8.4L V10 SFI Engine	DEC = 6-Speed Manual Transmission
X = SPECIAL		27 = 2-DR CONVERTIBLE		

AR = use ase required - = Non illustrated part

2008 ZB

Front Fender  
Figure 60-305



ITEM	PART NUMBER	QTY	LINE	SERIES	BODY	ENGINE	TRANS	TRIM	DESCRIPTION
	04865637AG	1	D		27, 29				Left
21	04865830AB	2	D		27, 29				BRACKET, Sill To Fender
22	06036548AA	1	D		27, 29				SCREW, Tapping Pan Head, .190-24x.375
23									FRAME, Windshield
	0TP57RXFAE	1	D		27				
	1BQ67ER-SAC	1	D		29				[RS]
	1BQ67FCVAC	1	D		29				[CV]
	1BQ67GB-CAC	1	D		29				[BC]
	1BQ67GGSAC	1	D		29				[GS]
	1BQ67GK3AC	1	D		29				[K3]
	1BQ67TZZAC	1	D		29				[BE]
		1	D		29				[RN]
		1	D		29				[X3]

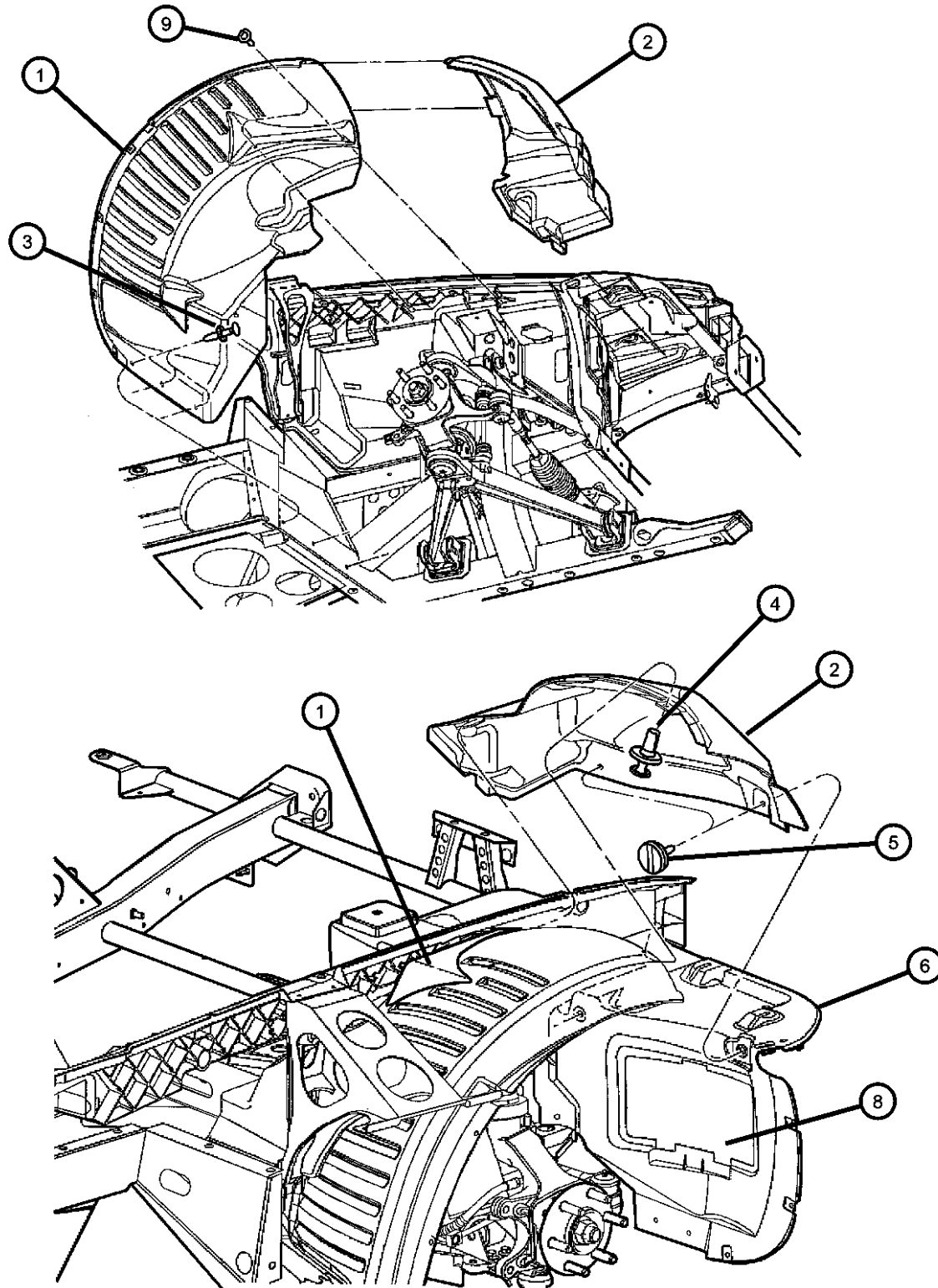
VIPER (ZB)

SERIES	LINE	BODY	ENGINE	TRANSMISSION
S = SPORT	D = DODGE	29 = SPECIALTY COUPE	EWE = 8.4L V10 SFI Engine	DEC = 6-Speed Manual Transmission
X = SPECIAL		27 = 2-DR CONVERTIBLE		

AR = use ase required - = Non illustrated part

2008 ZB

Front Fender Shields  
Figure 60-350



ITEM	PART NUMBER	QTY	LINE	SERIES	BODY	ENGINE	TRANS	TRIM	DESCRIPTION
1	04865490AC	1	D		27, 29				SHIELD, Splash Right
	04865491AC	1	D		27, 29				Left
2	04865724AB	1	D		27, 29				SHIELD, Splash Splash Front Extension, Right
	04865725AB	1	D		27, 29				Splash Front Extension, Left
3	06504521	6	D		27, 29				PIN, Push
4	06507453AA	6	D		27, 29				BOLT AND RETAINER, M6.35x12.70
5	04708180	2	D		27, 29				SCREW, Splash Shield
6	04708180	2							FRAME, (NOT SERVICED)
-7	05029614AA	2	D		27, 29				SHIELD, Splash, On Front of Front Splash Shield
8	04865822AA	1	D		27, 29				PANEL, Fog Lamp
9	06102050AA	2	D		27, 29				BOLT, Hex Flange Head, M6.3X1.81X15.00

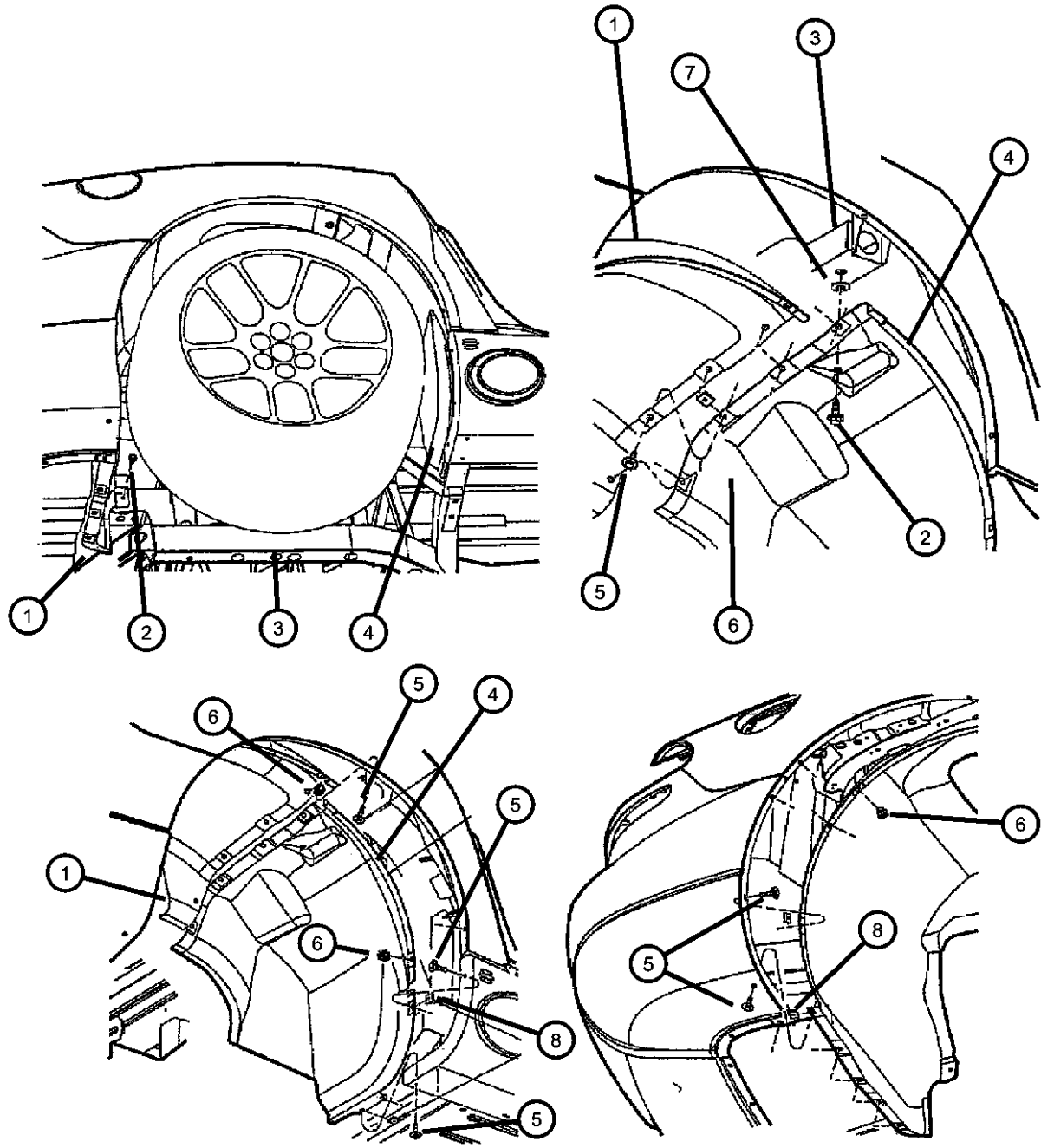
VIPER (ZB)

SERIES	LINE	BODY	ENGINE	TRANSMISSION
S = SPORT	D = DODGE	29 = SPECIALTY COUPE	EWE = 8.4L V10 SFI Engine	DEC = 6-Speed Manual Transmission
X = SPECIAL		27 = 2-DR CONVERTIBLE		

AR = use ase required - = Non illustrated part

2008 ZB

**Front Fender Shields**  
Figure 60-355



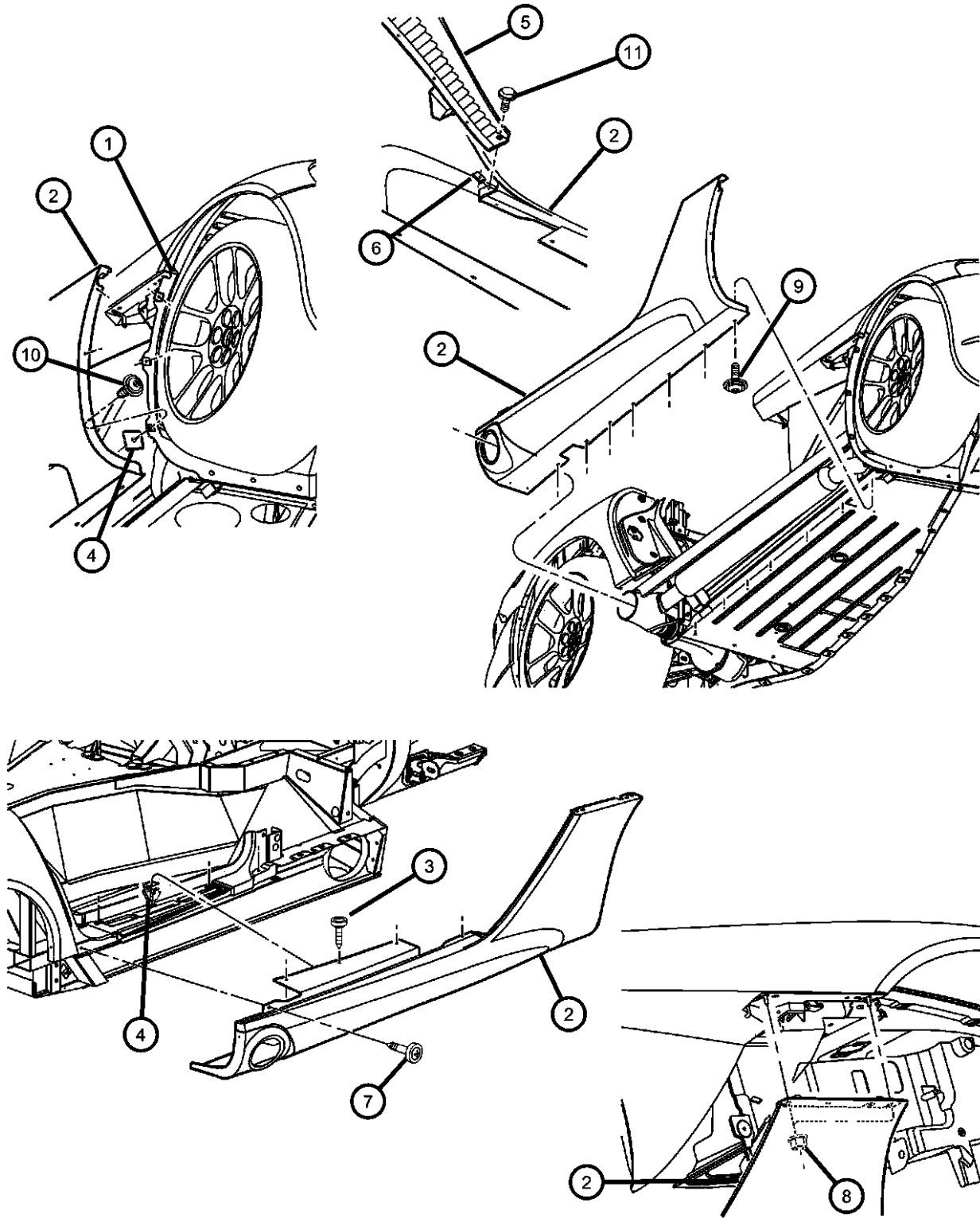
ITEM	PART NUMBER	QTY	LINE	SERIES	BODY	ENGINE	TRANS	TRIM	DESCRIPTION
1									SHIELD, Splash
	04865646AD	1	D		27, 29				Right Rear, Lower
	04865647AD	1	D		27, 29				Left Rear, Lower
2	04865647AD	1							SCREW, Tapping, [.250-14x.875], (NOT SERVICED)
3	04865647AD	1							FRAME, Reference, (NOT SERVICED)
4									SHIELD, Splash
	04865648AD	1	D		27, 29				Right Rear, Upper
	04865649AD	1	D		27, 29				Left Rear, Upper
5	06035625	6	D		27, 29				SCREW, [.190-16x.750]
6	06504118	8	D		27, 29				U-NUT, M6 x 1.00, M6x1.00
7	06100877	4	D		27, 29				WASHER, Flat, M6
8	06504118	8	D		27, 29				U-NUT, M6 x 1.00, M6x1.00

**VIPER (ZB)**

SERIES	LINE	BODY	ENGINE	TRANSMISSION
S = SPORT	D = DODGE	29 = SPECIALTY COUPE	EWE = 8.4L V10 SFI Engine	DEC = 6-Speed Manual Transmission
X = SPECIAL		27 = 2-DR CONVERTIBLE		

AR = use ase required - = Non illustrated part

Loose Panels  
Figure 60-360



ITEM	PART NUMBER	QTY	LINE	SERIES	BODY	ENGINE	TRANS	TRIM	DESCRIPTION
1	06504118	8							SHIELD, Splash, Reference, (NOT SERVICED)
2									PANEL, Sill
	05086368AD	1	D		27, 29				Right
	05086369AD	1	D		27, 29				Left
3	06035625	8	D		27, 29				SCREW, [.190-16x.750]
4	06507528AA	6	D		27, 29				NUT, Snap In, M4.8x1.6
5									GRILLE, Fender
	05029276AC	1	D		27, 29				Right
	05029277AC	1	D		27, 29				Left
6	05029277AC	1							NUT/SPRING, Snap In, .164-18, (NOT SERVICED)
7	06501067	2	D		27, 29				PIN, Push, M6.3x20.5
8	06102126AA	2	D		27, 29				NUT AND WASHER, Hex, M6x1.0
9	06102132AA	7	D		27, 29				SCREW, Hex Head, M6x1x20
10	06507453AA	6	D		27, 29				BOLT AND RETAINER, M6.35x12.70
11	06036548AA	1	D		27, 29				SCREW, Tapping Pan Head, .190-24x.375

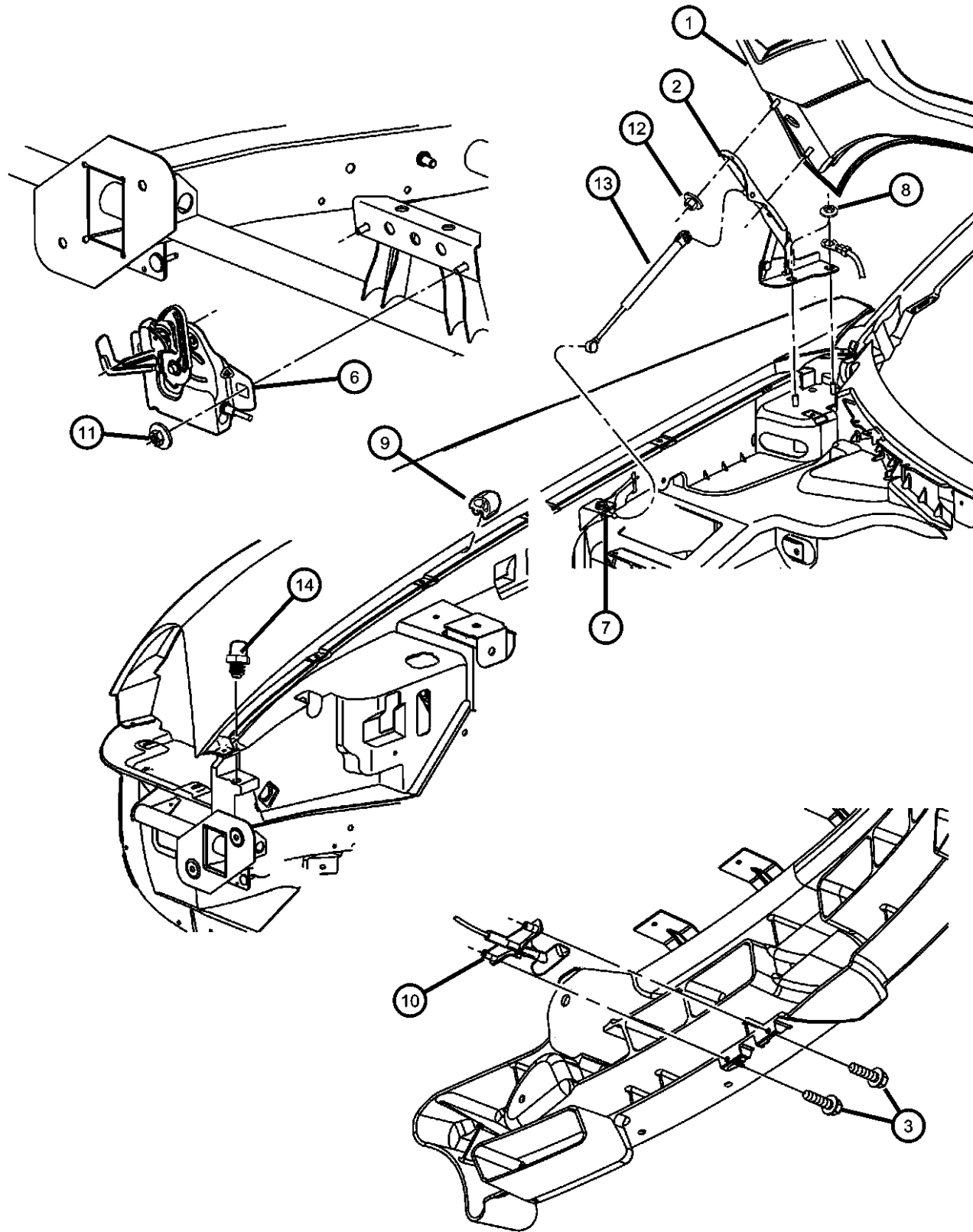
VIPER (ZB)

SERIES	LINE	BODY	ENGINE	TRANSMISSION
S = SPORT	D = DODGE	29 = SPECIALTY COUPE	EWE = 8.4L V10 SFI Engine	DEC = 6-Speed Manual Transmission
X = SPECIAL		27 = 2-DR CONVERTIBLE		

AR = use ase required - = Non illustrated part

2008 ZB

Hood and Related Parts  
Figure 60-405



ITEM	PART NUMBER	QTY	LINE	SERIES	BODY	ENGINE	TRANS	TRIM	DESCRIPTION
------	-------------	-----	------	--------	------	--------	-------	------	-------------

Note: [P.A.R.] = Paint as Required

1	05030567AD	1	D		27, 29				HOOD
2									HINGE, Hood
	04865638AD	1	D		27, 29				Right
	04865639AD	1	D		27, 29				Left
3	06104635AB	2	D		27, 29				SCREW
-4	05030574AC	1	D		27, 29				SILENCER, Hood
-5	06504521	6	D		27, 29				PIN, Push
6	04865827AC	1	D		27, 29				LATCH, Hood
7	06507213AA	1	D		27, 29				BALL STUD
8	06507213AA	1							NUT AND WASHER, Hex Nut-Coned Washer, M8 x 1.25, (NOT SERVICED)
9	05029179AA	6	D		27, 29				BUMPER, Hood
10	04865815AA	1	D		27, 29				RELEASE, Hood Latch
11	34201358	3	D		27, 29				NUT AND WASHER, Hex Nut-Sealing Washer, M6 x 1.00
12	34201358	4	D		27, 29				NUT AND WASHER, Hex Nut-Sealing Washer, M6 x 1.00
13	04865820AF	2	D		27, 29				PROP, Gas
14	05008628AA	2	D		27, 29				BUMPER
-15	05030575AA	1	D		27, 29				DEFLECTOR, Air

VIPER (ZB)

SERIES	LINE	BODY	ENGINE	TRANSMISSION
S = SPORT	D = DODGE	29 = SPECIALTY COUPE	EWE = 8.4L V10 SFI Engine	DEC = 6-Speed Manual Transmission
X = SPECIAL		27 = 2-DR CONVERTIBLE		

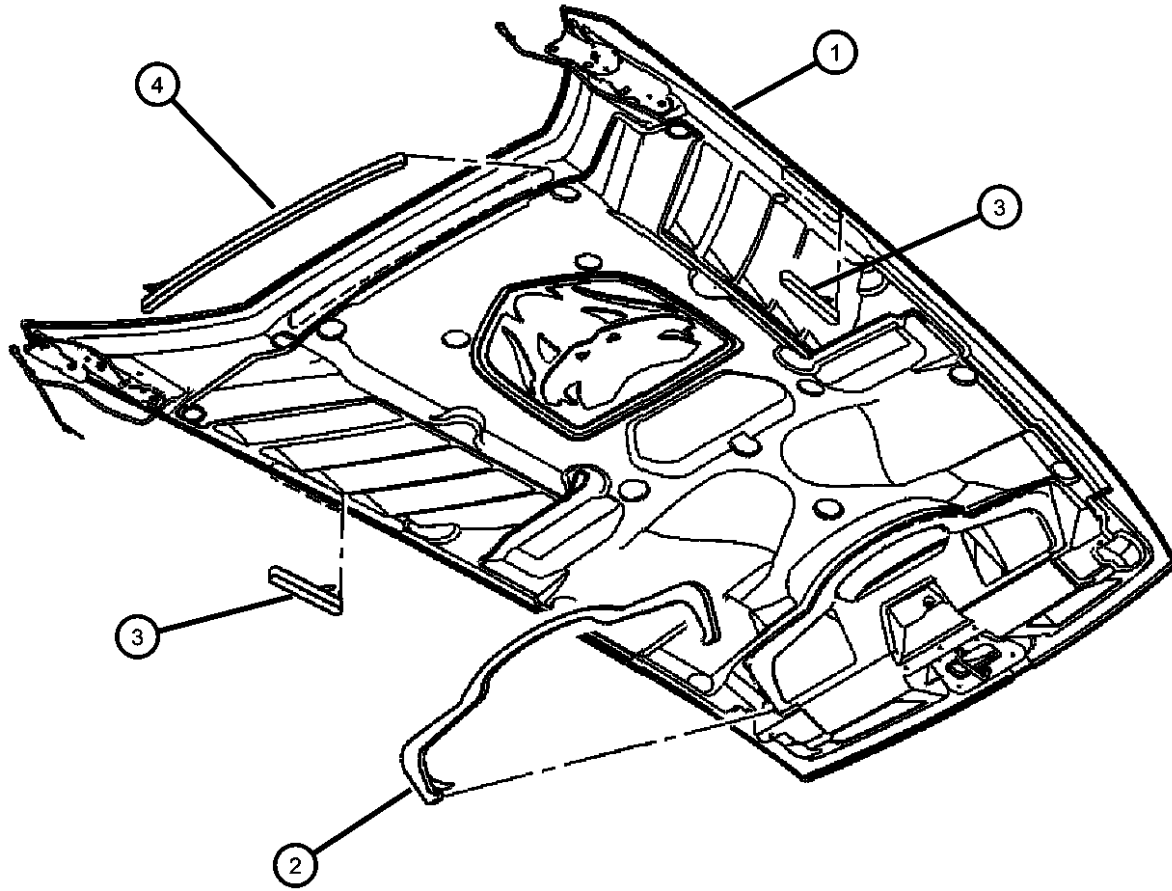
AR = use ase required - = Non illustrated part

2008 ZB



Hood Sealer  
Figure 60-410

ITEM	PART NUMBER	QTY	LINE	SERIES	BODY	ENGINE	TRANS	TRIM	DESCRIPTION
1	05030575AA	1							HOOD, Reference, (NOT SERVICED)
2	05030619AA	1	D		27, 29				SEAL, Air Cleaner
3	05029542AA	2							SEAL, Foam
4	05029534AA	1	D		27, 29				SEAL, Foam



VIPER (ZB)

SERIES  
S = SPORT  
X = SPECIAL

LINE  
D = DODGE

BODY  
29 = SPECIALTY COUPE  
27 = 2-DR CONVERTIBLE

ENGINE  
EWE = 8.4L V10 SFI Engine

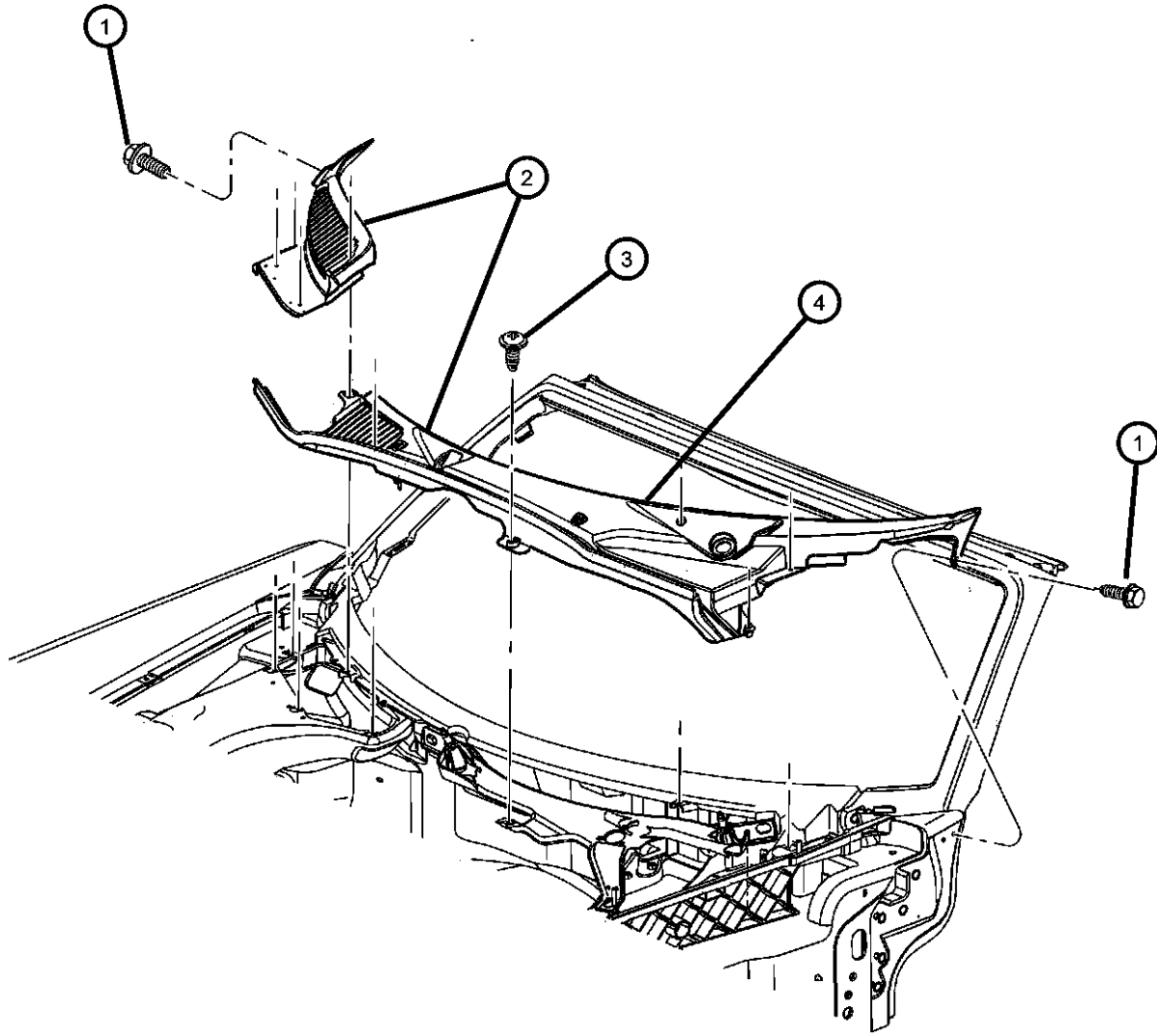
TRANSMISSION  
DEC = 6-Speed Manual Transmission

AR = use ase required - = Non illustrated part

2008 ZB

**Cowl**  
**Figure 60-525**

ITEM	PART NUMBER	QTY	LINE	SERIES	BODY	ENGINE	TRANS	TRIM	DESCRIPTION
1	06102086AA	2	D		27, 29				SCREW AND WASHER, Hex Head, M5x0.80x25.00
2									SCREEN, Cowl Top
	0UC22RXFAC	1	D		27, 29				Right
	0UC23RXFAC	1	D		27, 29				Left
3	06036445AA	9	D		27, 29				SCREW, .164-18x1.00
4	04865985AB	1	D		27, 29				WEATHERSTRIP, Hood to Cowl
-5	05029425AA	1	D		27, 29				INSULATOR

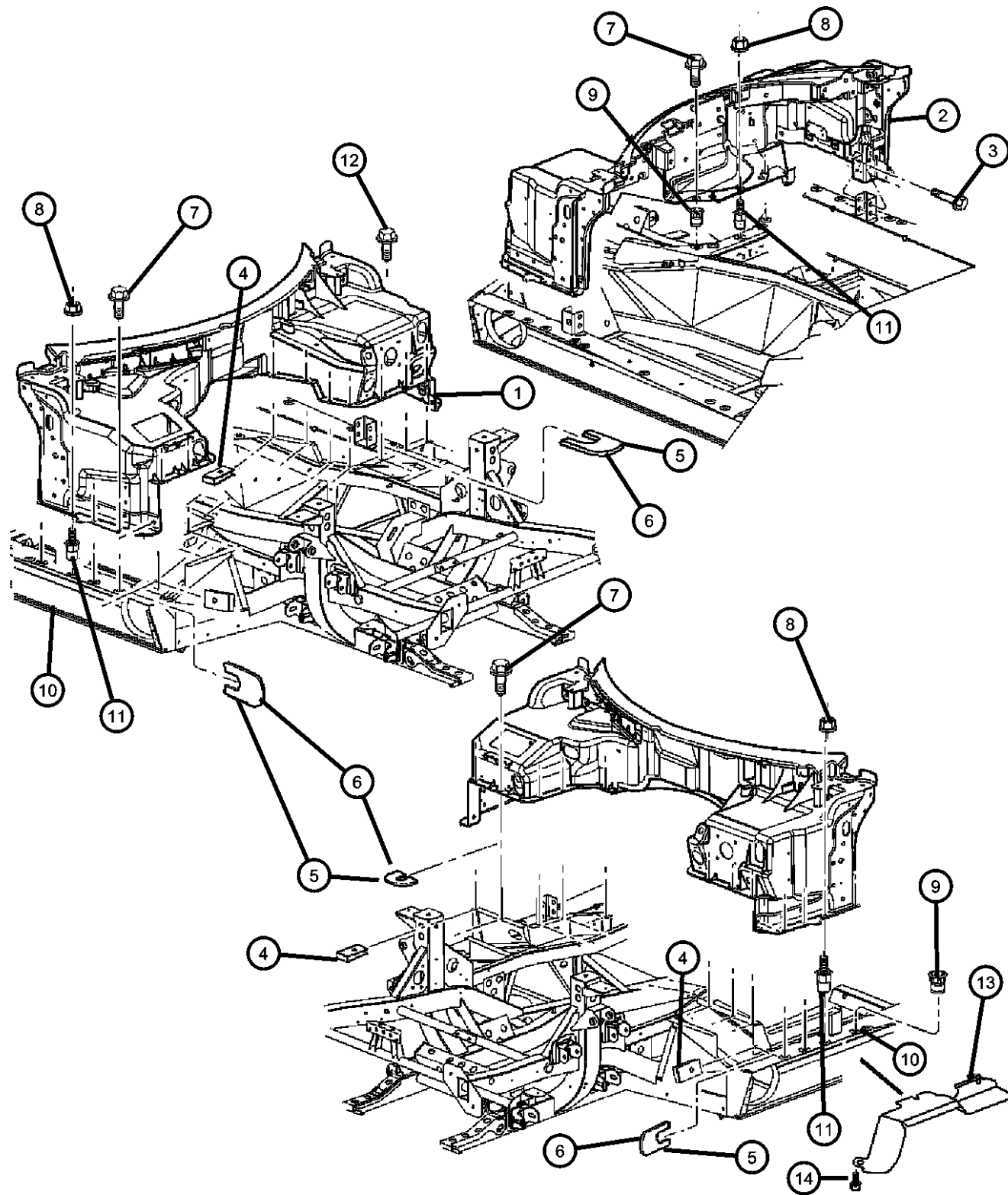


**VIPER (ZB)**

SERIES	LINE	BODY	ENGINE	TRANSMISSION
S = SPORT	D = DODGE	29 = SPECIALTY COUPE	EWE = 8.4L V10 SFI Engine	DEC = 6-Speed Manual Transmission
X = SPECIAL		27 = 2-DR CONVERTIBLE		

AR = use ase required - = Non illustrated part

Dash Panel  
Figure 60-550



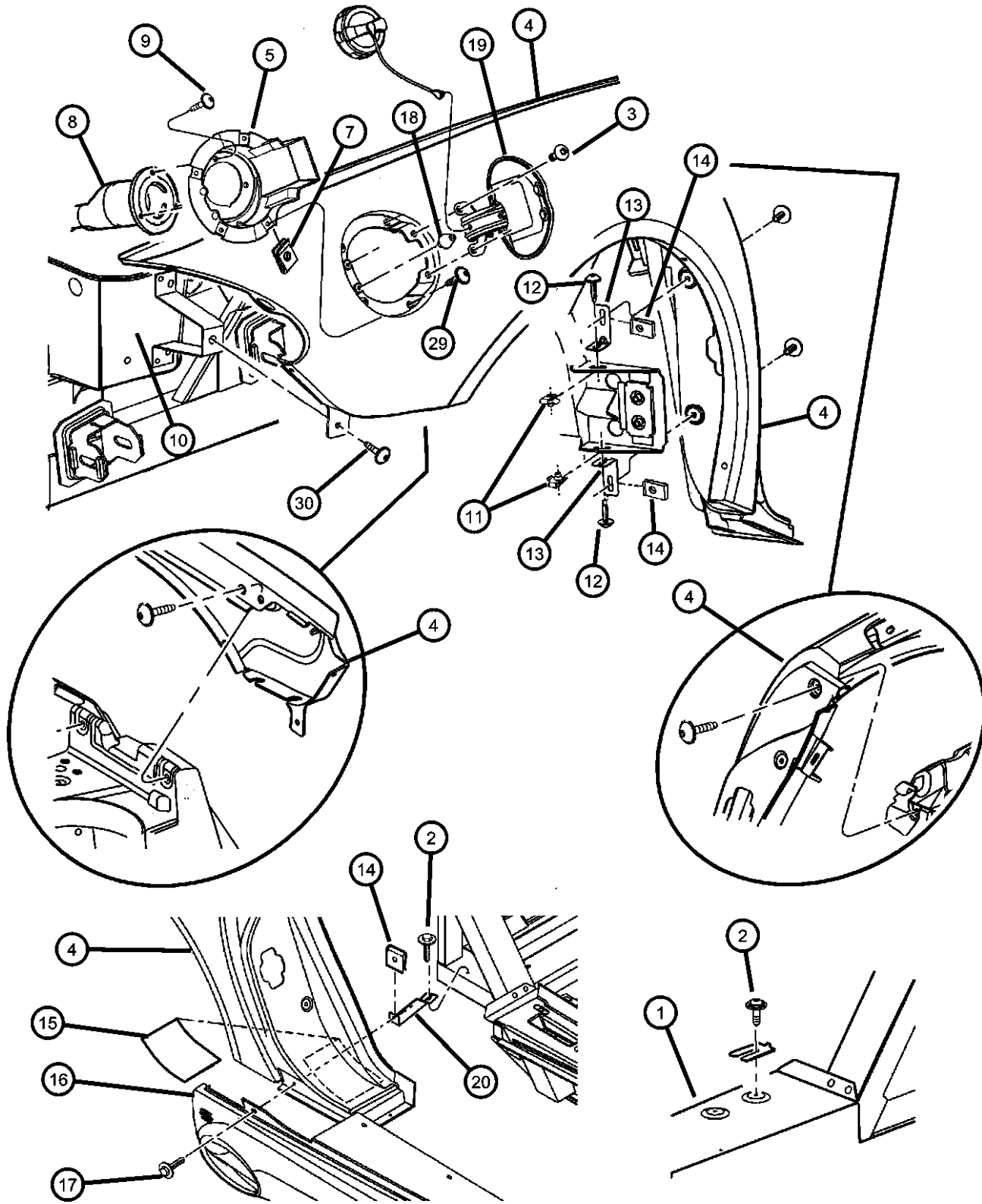
ITEM	PART NUMBER	QTY	LINE	SERIES	BODY	ENGINE	TRANS	TRIM	DESCRIPTION
1	04865495AF	1	D		27, 29				PANEL, Dash
2									BRACKET, Dash
	05029189AA	1	D		27, 29				Left
	05029188AA	1	D		27, 29				Right
3	06101326	4	D		27, 29				BOLT AND CONED WASHER, Hex Head, M8X1.25X80.00
4	06101326	4							NUT, U Type Multi Thread, M8 x 1.25, (NOT SERVICED)
5	35022111	AR	D		27, 29				SPACER, Fender, 1.0
6	35022112	AR	D		27, 29				SPACER, Fender, 1.5
7	06101793	24	D		27, 29				SCREW AND WASHER, Hex Head, M8x1.25x25
8	06101809	4	D		27, 29				NUT AND WASHER, Hex, M8x1.25
9	06101809	4							NUT/RIVET, [M8x1.25x17.78], (NOT SERVICED)
10	06101809	4							FRAME, Reference, (NOT SERVICED)
11	06101809	4							STUD, 1.End,Spec. [M8x1.25x16.00], (NOT SERVICED)
12	06101799	3	D		27, 29				BOLT AND WASHER, Hex Head, M8x1.25x20
13									SHIELD, Heat
	05029318AA	1	D		27, 29				Right
	05029319AA	1	D		27, 29				Left
14	06031694	8	D		27, 29				SCREW AND WASHER, Hex Head, .164-18x1.0
-15	05029235AA	2	D		27, 29				SEAL

VIPER (ZB)

SERIES	LINE	BODY	ENGINE	TRANSMISSION
S = SPORT	D = DODGE	29 = SPECIALTY COUPE	EWE = 8.4L V10 SFI Engine	DEC = 6-Speed Manual Transmission
X = SPECIAL		27 = 2-DR CONVERTIBLE		

AR = use ase required - = Non illustrated part

Quarter Panel - Rear  
Figure 60-656



ITEM	PART NUMBER	QTY	LINE	SERIES	BODY	ENGINE	TRANS	TRIM	DESCRIPTION
------	-------------	-----	------	--------	------	--------	-------	------	-------------

Note: [P.A.R.] = Paint As Required

1	05029235AA	2							FRAME, Reference, (NOT SERVICED)
2	06035625	11	D		27, 29				SCREW, [.190-16x.750]
3	06504791	2	D		27, 29				SCREW, TAPPING, BUTTON HEAD, M6 X 1.00 X 18.00
4									PANEL, Quarter
	04865796AE	1	D		27				Right
	04865797AE	1	D		27				Left
	1BY70TZZAD	1	D		29				[RS], Right
		1	D		29				[CV], Right
		1	D		29				[BC], Right
		1	D		29				[GS], Right
		1	D		29				[K3], Right
		1	D		29				[BE], Right
		1	D		29				[RN], Right
		1	D		29				[X3], Right
	1BY71TZZAD	1	D		29				[RS], Left
		1	D		29				[CV], Left
		1	D		29				[BC], Left
		1	D		29				[GS], Left
		1	D		29				[K3], Left
		1	D		29				[BE], Left
		1	D		29				[RN], Left
		1	D		29				[X3], Left
5									HOUSING, Fuel Filler
	04865906AB	1	D		27				
	05030330AB	1	D		29				
-6	06508699AA	5	D		29				SCREW, Fuel Filler Tube Mounting
7	06036491AA	4	D		27, 29				NUT, Spring U Type, For .164-18 Screw
8	06036491AA	4							TUBE, Fuel Filler, Reference, (NOT SERVICED)
9	06036491AA	4							SCREW, Tapping, .19-16x.75, (NOT SERVICED)
10									PAN, Trunk Primed
	04865472AH	1	D		27				
	05030093AE	1	D		29				
11	06506962AA	4	D		27, 29				NUT, U, M6x1.00

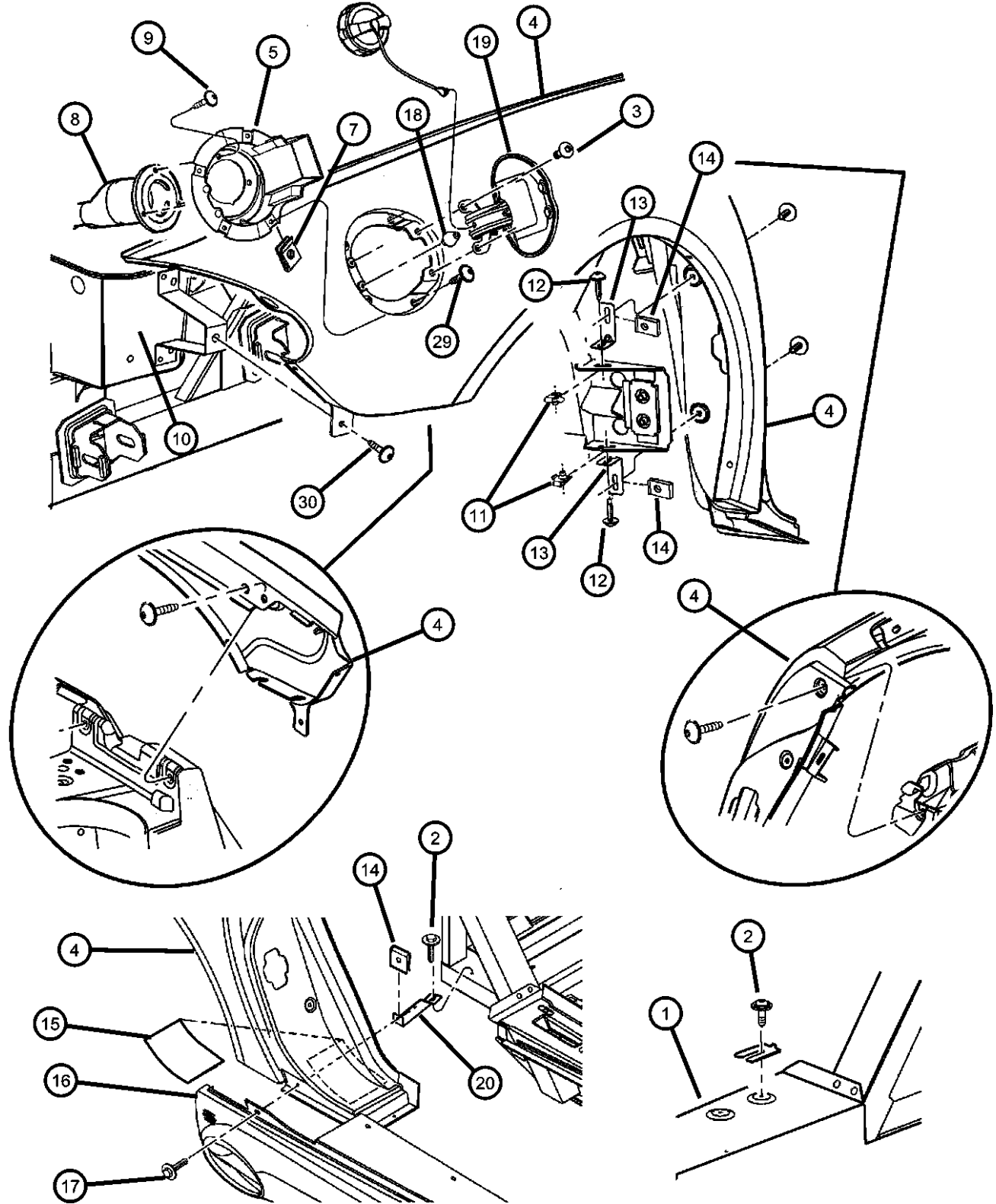
VIPER (ZB)

SERIES	LINE	BODY	ENGINE	TRANSMISSION
S = SPORT	D = DODGE	29 = SPECIALTY COUPE	EWE = 8.4L V10 SFI Engine	DEC = 6-Speed Manual Transmission
X = SPECIAL		27 = 2-DR CONVERTIBLE		

AR = use ase required - = Non illustrated part

2008 ZB

Quarter Panel - Rear  
Figure 60-656



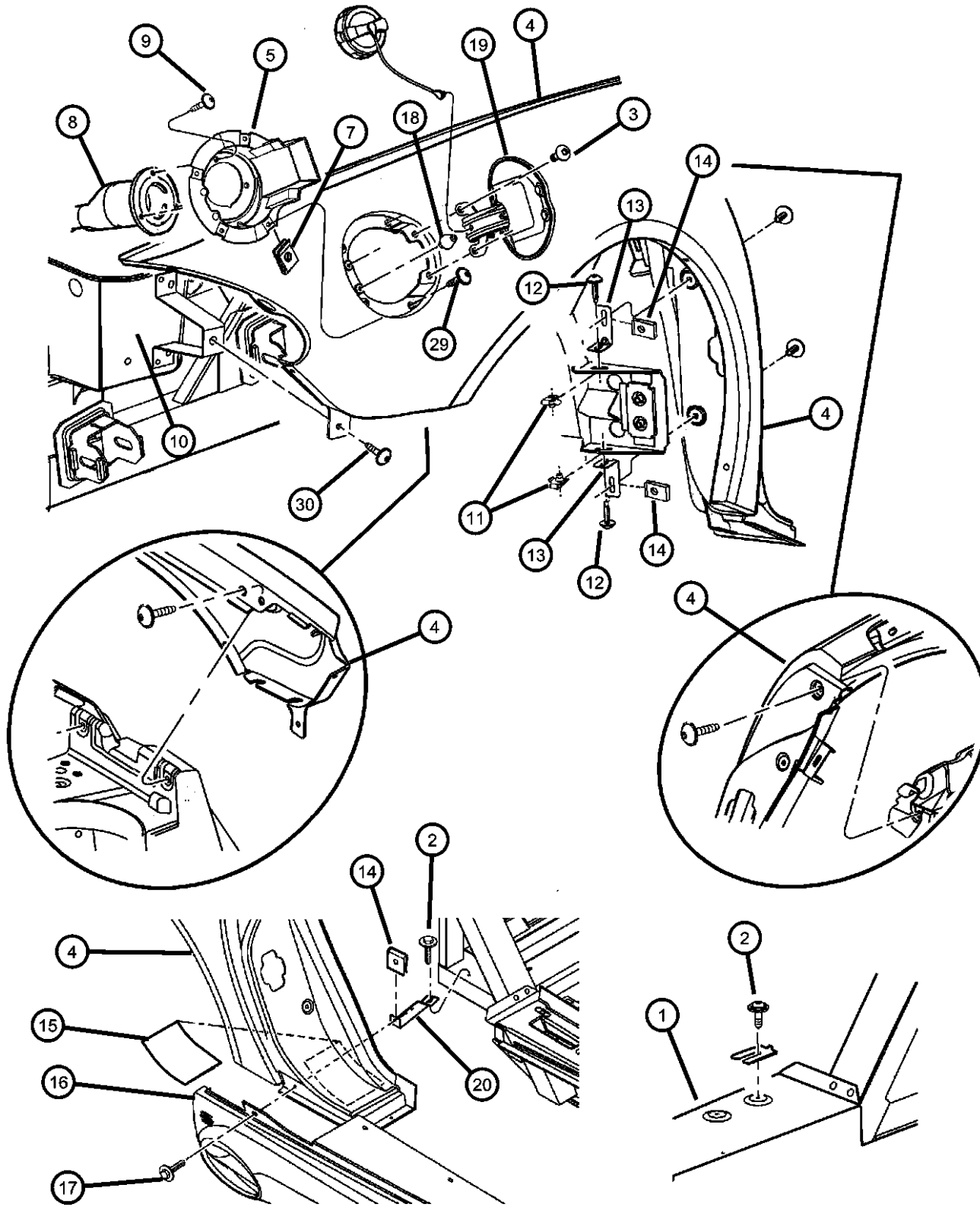
ITEM	PART NUMBER	QTY	LINE	SERIES	BODY	ENGINE	TRANS	TRIM	DESCRIPTION
12	06100567	4	D		27, 29				SCREW AND WASHER, Hex Head, M6x1x25
13	04865907AA	4	D		27, 29				BRACKET, Quarter Panel
14	04865907AA	4							NUT/SPRING, "U" 1 THD, .190-16, (NOT SERVICED)
15									INSULATION, Foil Backed Seal
	05029324AB	1	D		27, 29				Door Surround, Quarter Panel to Exhaust
	05029325AB	1	D		27, 29				Quarter Panel to Exhaust
16	05029325AB	1							PANEL, Sill, Reference, (NOT SERVICED),
17	06035625	11	D		27, 29				SCREW, [.190-16x.750]
18	05029238AA	2	D		27, 29				BUMPER, Fuel Door
19									DOOR, Fuel Fill
	04865738AB	1	D		27				
	05030331AC	1	D		29				
20									BRACKET, Quarter Panel
	05029260AA	1	D		27, 29				Right
	05029261AA	1	D		27, 29				Left
-21	04865768AA	2	D		27				BRACKET, Quarter Inner
-22									SEAL, Quarter Panel
	05029174AB	1	D		27, 29				B-Pillar to Frame, Right
	05029175AB	1	D		27, 29				B-Pillar to Frame, Left
	05029212AA	1	D		27, 29				B-Pillar Upper, Right
	05029213AA	1	D		27, 29				B-Pillar Upper, Left
-23	05029767AA	2	D		27, 29				DEFLECTOR, Air
-24									INSULATION, Foil Backed Seal
	05029444AA	1	D		27, 29				Large, Right
	05029445AA	1	D		27, 29				Large, Left
	05029446AA	1	D		27, 29				Small, Right
	05029447AA	1	D		27, 29				Small, Left
	05029448AA	1	D		27, 29				Medium, Right
	05029449AA	1	D		27, 29				Medium, Left
-25									ISOLATOR, FOAM
	05029632AB	1	D		27, 29				Door Surround Long, Right
	05029633AB	1	D		27, 29				Door Surround Long, Left
	05029634AB	1	D		27, 29				Door Surround Short, Right
	05029635AB	1	D		27, 29				Door Surround Short, Left

VIPER (ZB)

SERIES	LINE	BODY	ENGINE	TRANSMISSION
S = SPORT	D = DODGE	29 = SPECIALTY COUPE	EWE = 8.4L V10 SFI Engine	DEC = 6-Speed Manual Transmission
X = SPECIAL		27 = 2-DR CONVERTIBLE		

AR = use ase required - = Non illustrated part

Quarter Panel - Rear  
Figure 60-656



ITEM	PART NUMBER	QTY	LINE	SERIES	BODY	ENGINE	TRANS	TRIM	DESCRIPTION
-26	05005570AA	2	D		29				EXHAUSTER, A/C Air
-27									MUCKET, B-Pillar to Quarter Panel
	05030166AC	1	D		29				Right
	05030167AC	1	D		29				Left
-28									SEAL, B Pillar Foam
	05030546AA	1	D		29				Right
	05030547AA	1	D		29				Left
29	05030547AA	1							SCREW, 164-18X625, (NOT SERVICED)
30	06505388AA	9	D		27, 29				BOLT, Torx, M6X1.00X18.00

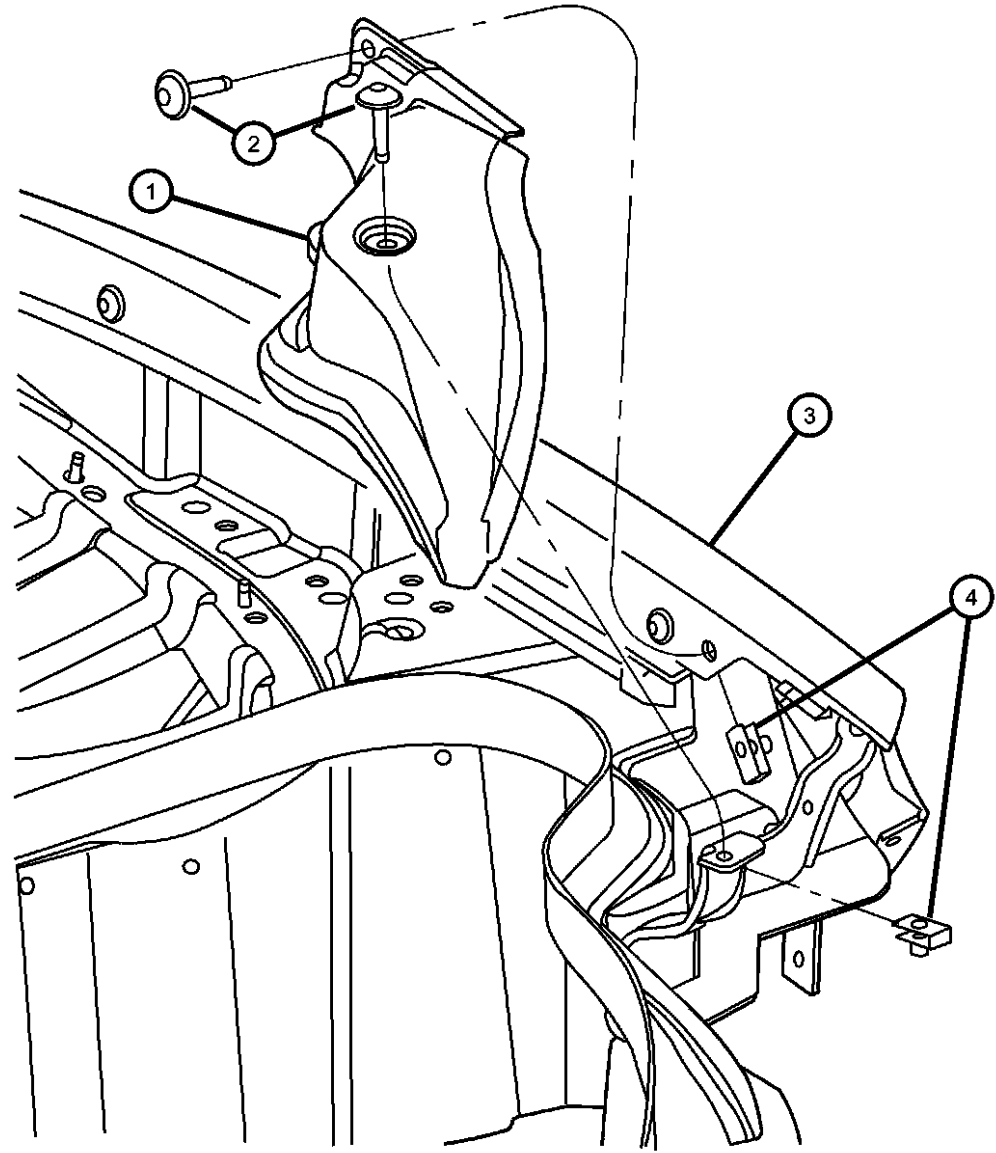
VIPER (ZB)

SERIES	LINE	BODY	ENGINE	TRANSMISSION
S = SPORT	D = DODGE	29 = SPECIALTY COUPE	EWE = 8.4L V10 SFI Engine	DEC = 6-Speed Manual Transmission
X = SPECIAL		27 = 2-DR CONVERTIBLE		

AR = use ase required - = Non illustrated part

2008 ZB

Panel - Tail Lamp  
Figure 60-657



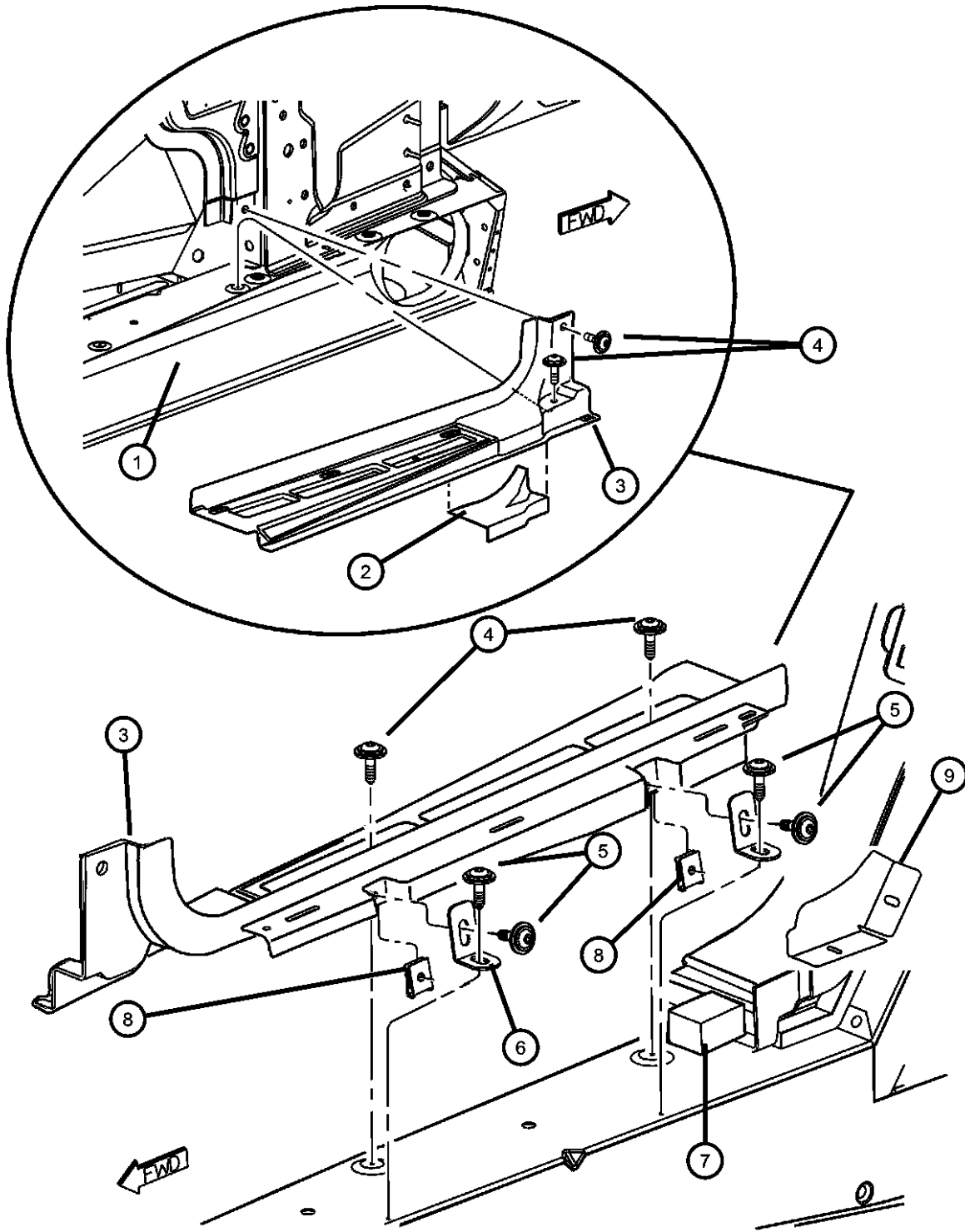
ITEM	PART NUMBER	QTY	LINE	SERIES	BODY	ENGINE	TRANS	TRIM	DESCRIPTION
1									PANEL, Taillamp Mounting
	05029124AA	1	D		27, 29				Right
	05029125AA	1	D		27, 29				Left
2	06509056AA	8	D		27, 29				BOLT
3	06509056AA	8							PANEL, Quarter Trim, Rear [Referance], (NOT SERVICED)
4	06101442	4	D		27, 29				U-NUT, M6 x 1.00, M6x1.00
-5									BRACKET, Tail Lamp
	05029120AA	1	D		27				Right
	05029121AA	1	D		27				Left
-6	05029520AA	2							ISOLATOR, FOAM

VIPER (ZB)

SERIES	LINE	BODY	ENGINE	TRANSMISSION
S = SPORT	D = DODGE	29 = SPECIALTY COUPE	EWE = 8.4L V10 SFI Engine	DEC = 6-Speed Manual Transmission
X = SPECIAL		27 = 2-DR CONVERTIBLE		

AR = use ase required - = Non illustrated part

Loose Panels  
Figure 60-658



ITEM	PART NUMBER	QTY	LINE	SERIES	BODY	ENGINE	TRANS	TRIM	DESCRIPTION
1	05029520AA	2							FRAME, Reference Only, (NOT SERVICED)
2	05029520AA	2							FOIL, Insulator, (NOT SERVICED)
3									PANEL, Door Surround
	04865888AC	1	D		27, 29				Right
	04865889AC	1	D		27, 29				Left
4	06035625	6	D		27, 29				SCREW, [.190-16x.750]
5	06035625	9	D		27, 29				SCREW, [.190-16x.750]
6	04865891AA	4	D		27, 29				BRACKET, Door Surround
7	04865891AA	4							FOAM, Door Surround, (NOT SERVICED)
8	06504118	20	D		27, 29				U-NUT, M6 x 1.00, M6x1.00
9									BRACKET, B-Pillar
	05029350AA	1	D		27, 29				Right
	05029351AA	1	D		27, 29				Left
-10									INSULATOR
	05029342AA	1	D		27, 29				Right
	05029343AA	1	D		27, 29				Left
	05029346AA	2	D		27, 29				Lower

VIPER (ZB)

SERIES

S = SPORT  
X = SPECIAL

LINE

D = DODGE

BODY

29 = SPECIALTY COUPE  
27 = 2-DR CONVERTIBLE

ENGINE

EWE = 8.4L V10 SFI Engine

TRANSMISSION

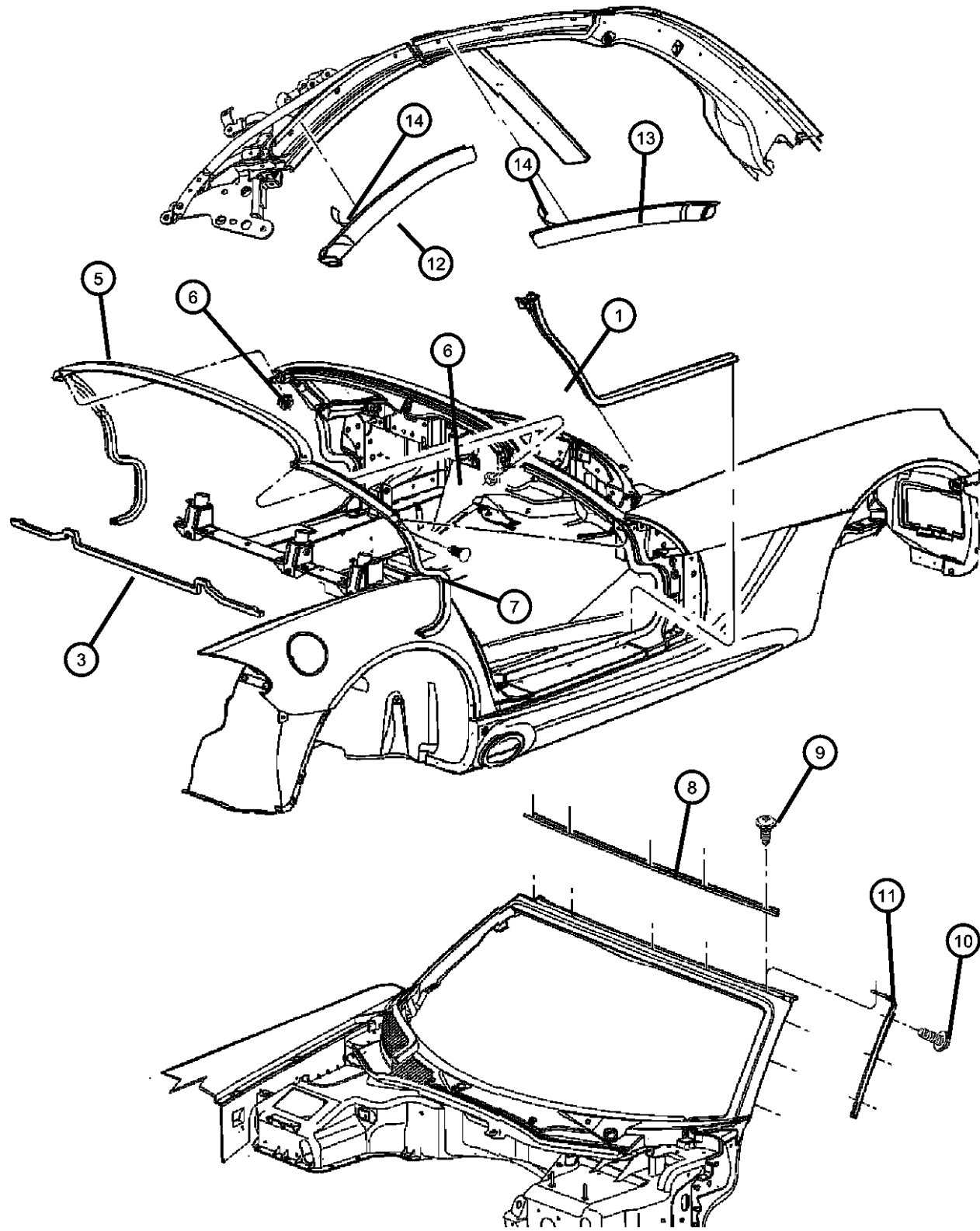
DEC = 6-Speed Manual Transmission

AR = use ase required - = Non illustrated part

2008 ZB



**Body Weatherstrips and Seals**  
**Figure 60-805**



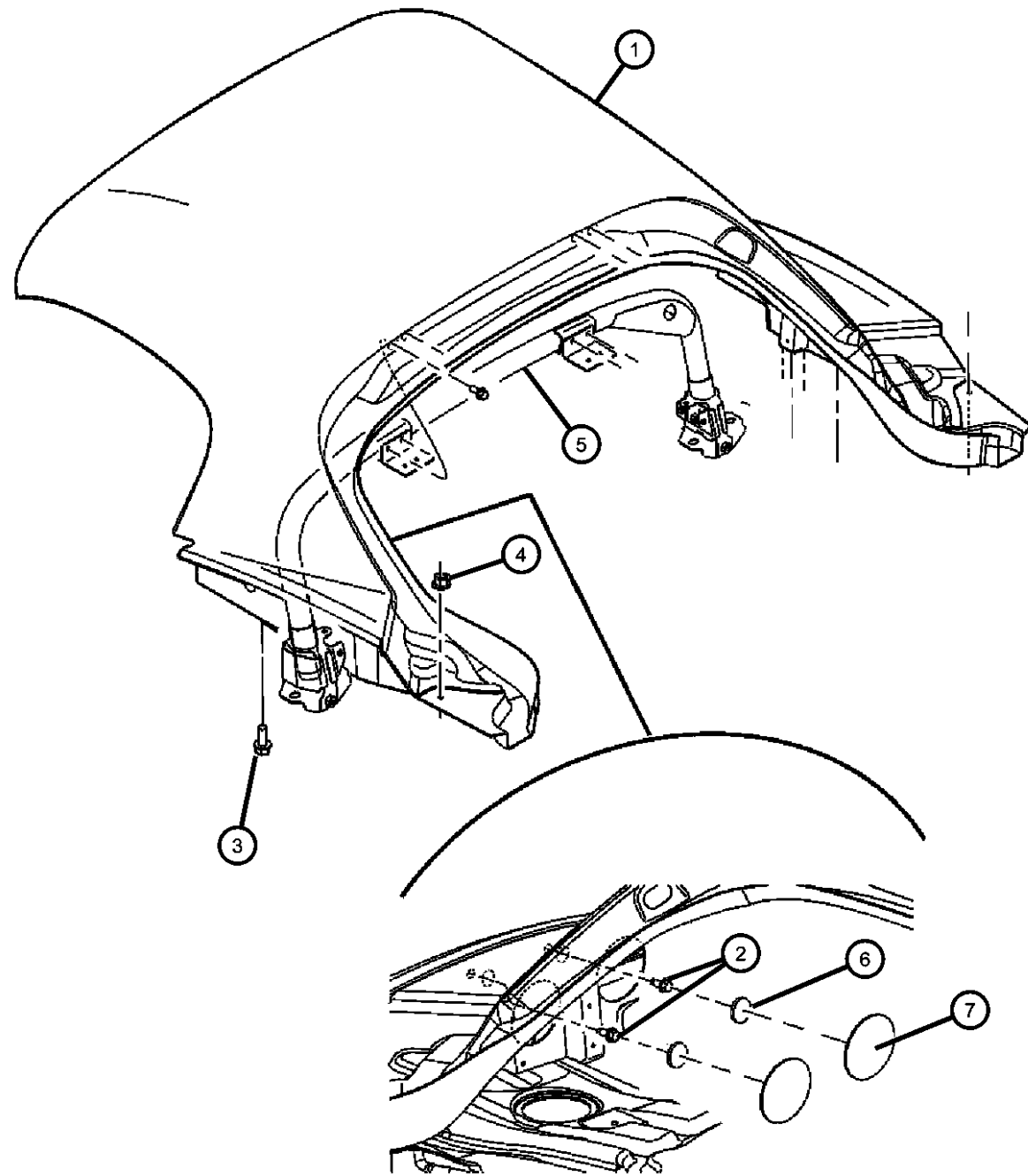
ITEM	PART NUMBER	QTY	LINE	SERIES	BODY	ENGINE	TRANS	TRIM	DESCRIPTION
1									WEATHERSTRIP, Front Door Opening
	05030097AD	1	D		29				Left
	04865562AF	1	D		27				Right
	04865563AF	1	D		27				Left
	05030096AD	1	D		29				Right
-2	05029443AB	2	D		27, 29				SEAL, B-Pillar, B-Pillar to Frame
3	04865953AA	1	D		27, 29				SEAL, Floor Pan, Trunk Pan Assy , Front
-4	05029607AA	2	D		27, 29				SEAL, Foam, Quarter Panel to frame
5	04865561AG	1	D		27				WEATHERSTRIP, Header and A pillar
6	04865561AG	1							NUT AND WASHER, Hex, M5x.80, (NOT SERVICED)
7	04658673	4	D		27, 29				PIN PUSH, .150x.410
8	04865574AB	1	D		27				RETAINER, Weatherstrip
9	06508056AA	1	D		27				SCREW, M5x16
10	06508056AA	1	D		27				SCREW, M5x16
11									RETAINER, Weatherstrip
	04865576AC	1	D		27				Right
	04865577AC	1	D		27				Left
	05030176AB	1	D		29				Right
	05030177AB	1	D		29				Left
12									WEATHERSTRIP, Folding Top Side Rail
	04865568AE	1	D		27				Right
	04865569AE	1	D		27				Left
13									WEATHERSTRIP, Folding Top Side Rail
	04865566AD	1	D		27				Right
	04865567AD	1	D		27				Left
14	04865567AD	1							TAPE, (NOT SERVICED)

**VIPER (ZB)**

SERIES	LINE	BODY	ENGINE	TRANSMISSION
S = SPORT	D = DODGE	29 = SPECIALTY COUPE	EWE = 8.4L V10 SFI Engine	DEC = 6-Speed Manual Transmission
X = SPECIAL		27 = 2-DR CONVERTIBLE		

AR = use ase required - = Non illustrated part

Roof Panel  
Figure 60-905



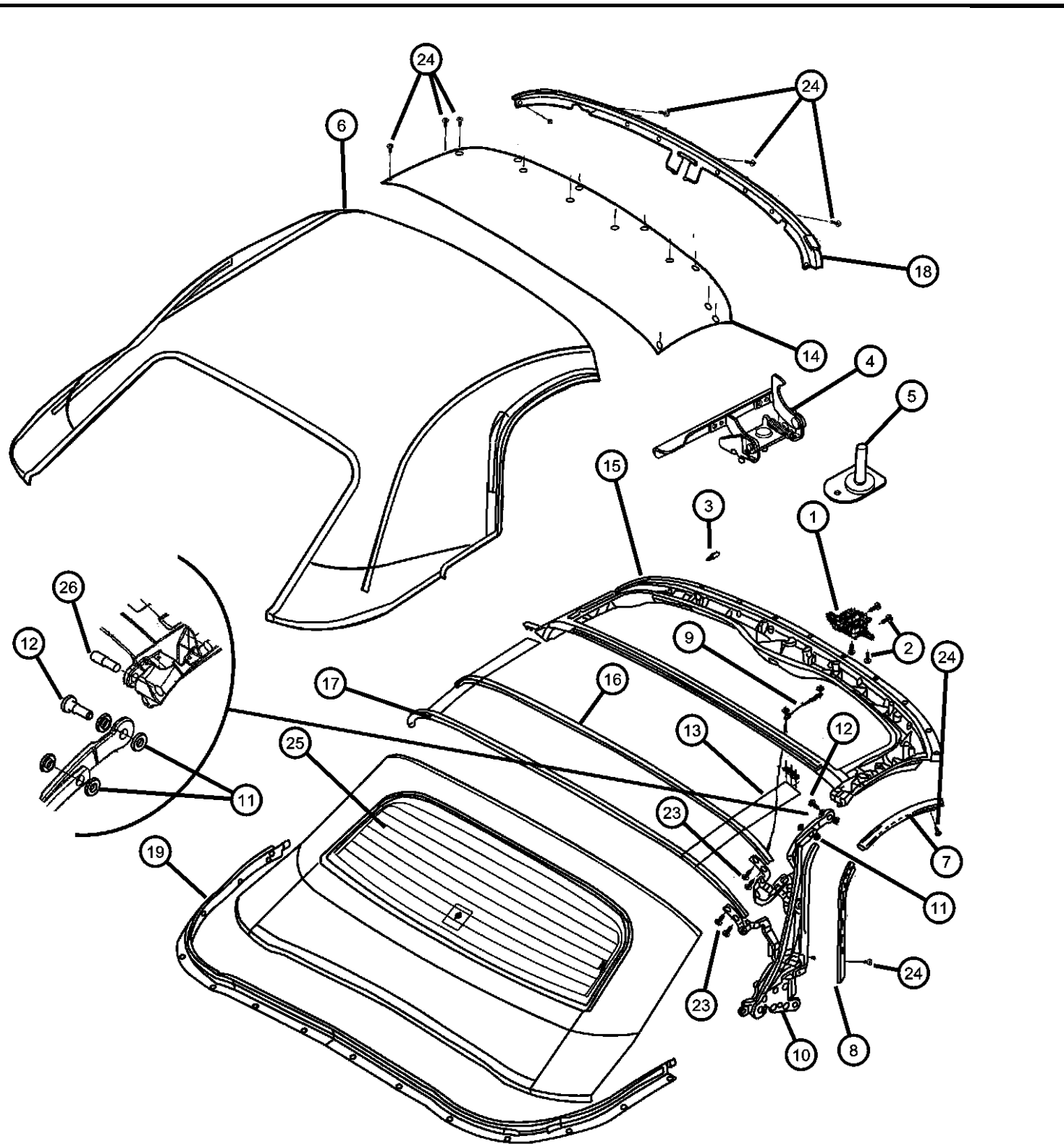
ITEM	PART NUMBER	QTY	LINE	SERIES	BODY	ENGINE	TRANS	TRIM	DESCRIPTION
1	05030030AE	1	D		29				PANEL, Roof
2	06101718	2	D		27, 29				SCREW AND WASHER, Oval Head, M6x1x25
3	06503992	6	D		29				SCREW AND WASHER, Hex Head, M6x1x30
4	06102126AA	2	D		27, 29				NUT AND WASHER, Hex, M6x1.0
5	05030031AE	1	D		29				BAR, Sport
6	05030031AE	1							COVER, (NOT SERVICED)
7	05030031AE	1							COVER, (NOT SERVICED)
-8									EXTENSION, B Pillar
	05030164AC	1	D		29				Right
	05030165AC	1	D		29				Left
-9									SEAL, Header Foam
	05030163AA	1	D		29				
	05030632AA	2	D		29				Roof, Front
	05030634AA	2	D		29				Roof D Section, Rear
	05030636AA	2	D		29				Roof Rail, Front

VIPER (ZB)

SERIES	LINE	BODY	ENGINE	TRANSMISSION
S = SPORT	D = DODGE	29 = SPECIALTY COUPE 27 = 2-DR CONVERTIBLE	EWE = 8.4L V10 SFI Engine	DEC = 6-Speed Manual Transmission
X = SPECIAL				

AR = use ase required - = Non illustrated part

Folding Top - 27 Body  
Figure 60-956



ITEM	PART NUMBER	QTY	LINE	SERIES	BODY	ENGINE	TRANS	TRIM	DESCRIPTION
1	05029168AC	1	D		27				HANDLE AND LATCH, Folding Top
2	06507337AA	4	D		27				BOLT, M6x25
3	05029157AB	2	D		27				PIN, Dowel
4	04865936AD	1	D		27				LATCH AND BASE, Folding Top
5	04865781AA	12	D		27				STUD PLATE, Convertible Top Tack Strip Mounting
6	05029082AD	1	D		27				COVER, Folding Top
7									RETAINER, Weatherstrip
	04865570AC	1	D		27				Top Front Side Rail, Right
	04865571AC	1	D		27				Top Front Side Rail, Left
8									RETAINER, Weatherstrip
	04865572AC	1	D		27				Top Rear Side Rail, Right
	04865573AC	1	D		27				Top Rear Side Rail, Left
9	04865573AC	1							CABLE, (NOT SERVICED),
10									SIDE RAIL, Folding Top
	05029134AD	1	D		27				Right
	05029135AD	1	D		27				Left
11	05029195AA	8	D		27				BUSHING, Pivot
12	06507167AA	4	D		27, 29				SCREW
13	05029080AB	1	D		27				STAYPAD ASSEMBLY, Folding Top
14	05029133AB	1	D		27				PANEL, Headliner
15	05029167AC	1	D		27				BOW, Folding Top, Number 2, Includes Front Header
16	05029130AA	1	D		27				BOW, Folding Top, Number 3
17	05029131AB	1	D		27				BOW, Folding Top, Number 4
18	05029079AC	1	D		27				MOLDING, Folding Top
19	05029076AC	1	D		27				PANEL, Tackstrip Support
-20	05029077AA	1	D		27				TACKSTRIP, Beltline Center
-21									TACKSTRIP, Beltline Outer
	05029084AC	1	D		27				Right
	05029085AC	1	D		27				Left
-22	05029215AC	1	D		27				COVER KIT, Tack Strip, Covers Item 21
23	06036444AA	8	D		27				SCREW, .25-20
24	06507763AA	11	D		27				SCREW
25	05029081AD	1	D		27				BACKLITE
	DB11081CLN								Collision Replacement Glass
26	06507762AA	2	D		27				SCREW

VIPER (ZB)

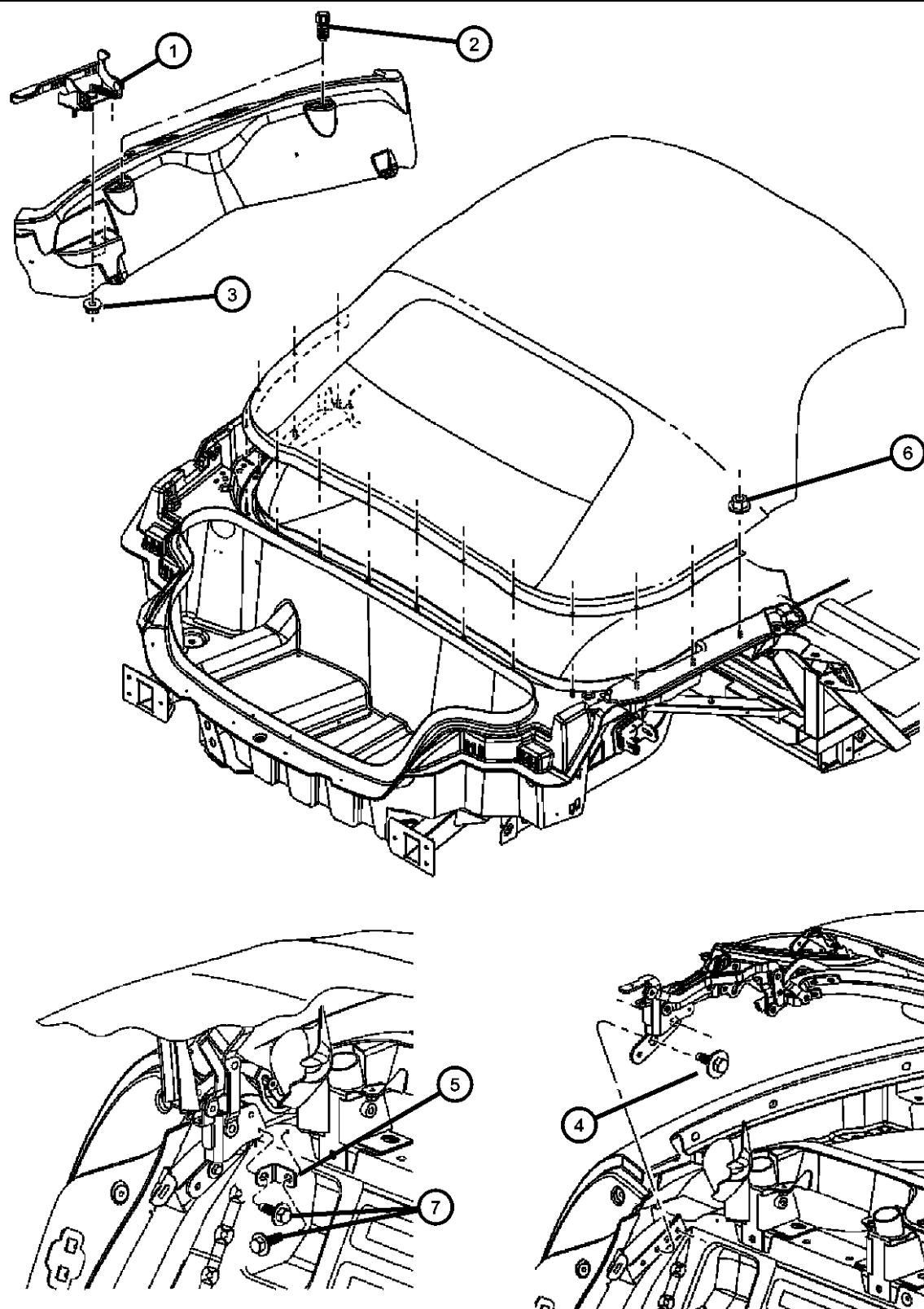
SERIES	LINE	BODY	ENGINE	TRANSMISSION
S = SPORT	D = DODGE	29 = SPECIALTY COUPE	EWE = 8.4L V10 SFI Engine	DEC = 6-Speed Manual Transmission
X = SPECIAL		27 = 2-DR CONVERTIBLE		

AR = use ase required - = Non illustrated part

2008 ZB



Folding Top Attaching Parts - 27 Body  
Figure 60-957



ITEM	PART NUMBER	QTY	LINE	SERIES	BODY	ENGINE	TRANS	TRIM	DESCRIPTION
1	04865936AD	1	D		27				LATCH AND BASE, Folding Top
2	05256749	2	D		27				BUMPER, Deck Lid Adjuster
3	06101968	2	D		27				NUT, M6x1.00
4	06503351	4	D		27, 29				SCREW AND WASHER, Hex Head, M8x1.25x35
5	04854372AA	2	D		27				BRACKET
6	06102238AA	14	D		27				NUT, M6x1
7	06102050AA	4	D		27, 29				BOLT, Hex Flange Head, M6.3X1.81X15.00

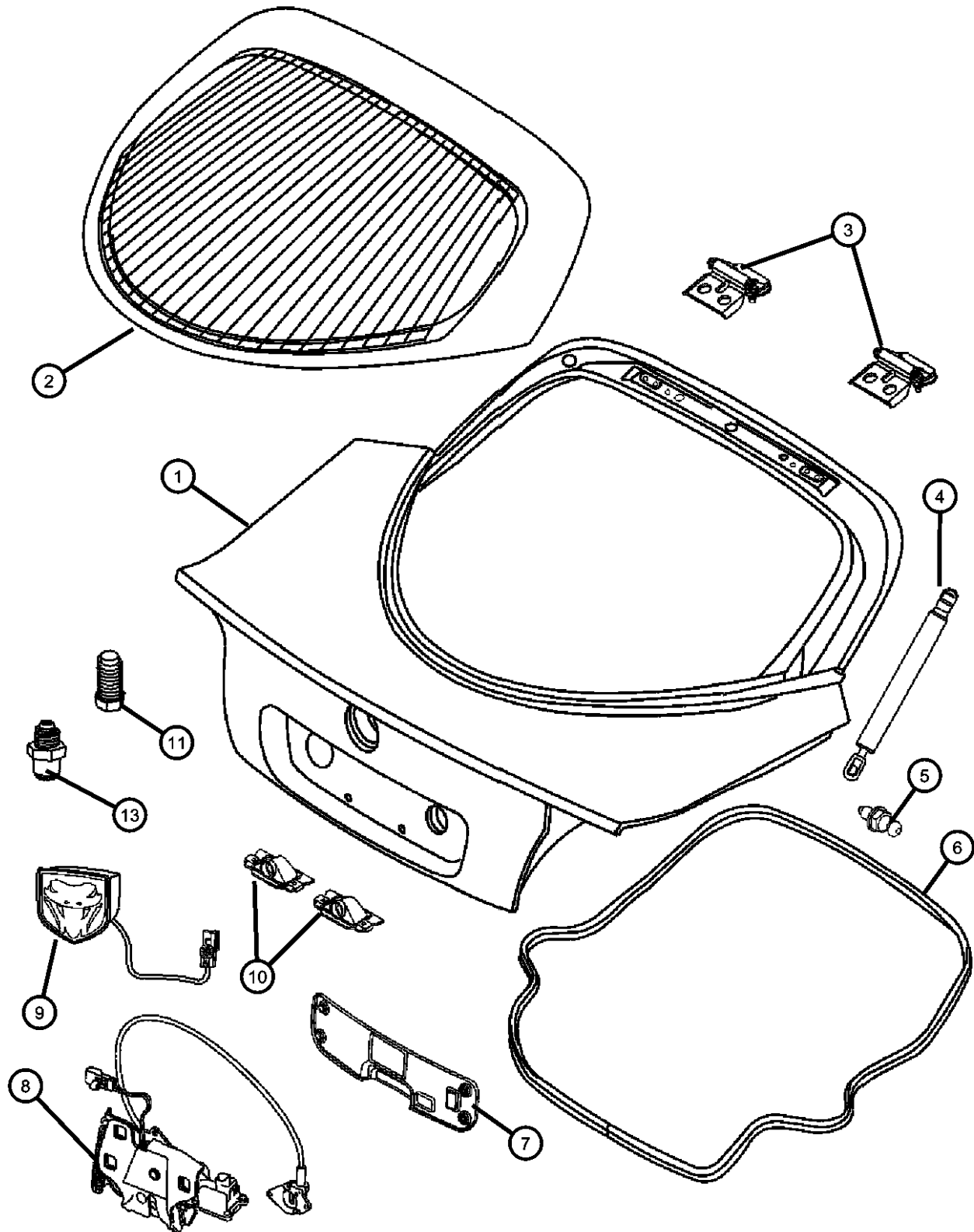
VIPER (ZB)

SERIES	LINE	BODY	ENGINE	TRANSMISSION
S = SPORT	D = DODGE	29 = SPECIALTY COUPE	EWE = 8.4L V10 SFI Engine	DEC = 6-Speed Manual Transmission
X = SPECIAL		27 = 2-DR CONVERTIBLE		

AR = use ase required - = Non illustrated part

2008 ZB

Liftgate - 29-Body  
Figure 60-1109



ITEM	PART NUMBER	QTY	LINE	SERIES	BODY	ENGINE	TRANS	TRIM	DESCRIPTION
MXN=Rear Winged Spoiler									
1	68035612AA	1	D		29				LIFTGATE
2	05030041AE	1	D		29				GLASS, Liftgate
3	05030118AB	2	D		29				HINGE, Liftgate
4									PROP, Liftgate
	05030099AC	2	D		29				With [MXN]
	68033127AA	2	D		29				Without [MXN]
5	05030174AB	2	D		29				BALL STUD, Liftgate Mounted
6	05030676AB	1	D		29				WEATHERSTRIP, Liftgate
7	1BY68DX9AD	1	D		29				COVER, Liftgate Trim
8	68035500AA	1	D		29				LATCH, Liftgate
9	05030107AB	1	D		29				LAMP, High Mounted Stop
10	04642929AB	3	D		29				LAMP, License Plate
11	05029232AA	2	D		29				BUMPER, Deck Lid Overslam, Rear
-12	05029623AA	2	D		29				PLATE, Decklid Stabilizer
13	05008628AA	2	D		29				BUMPER, Front

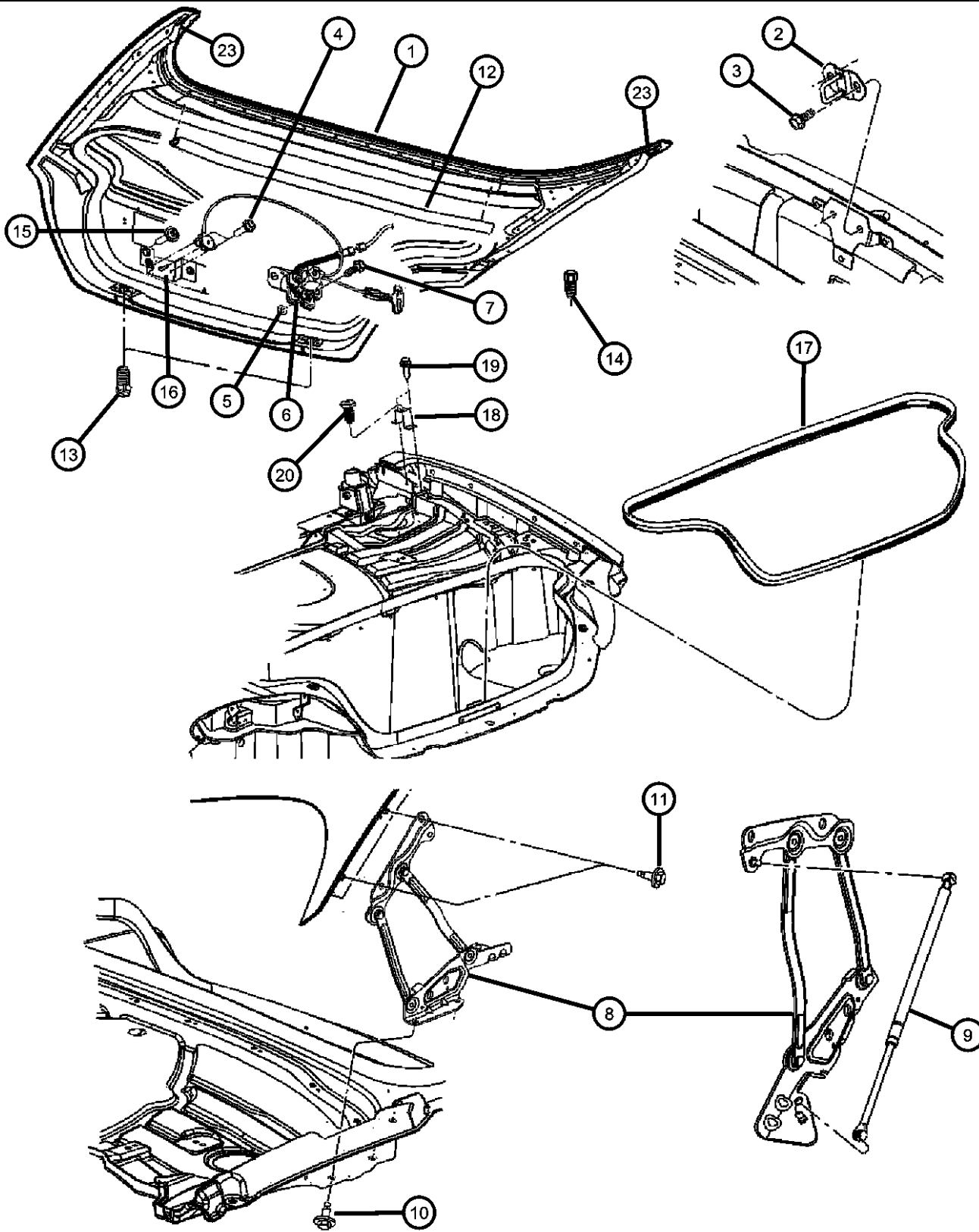
VIPER (ZB)

SERIES	LINE	BODY	ENGINE	TRANSMISSION
S = SPORT	D = DODGE	29 = SPECIALTY COUPE	EWE = 8.4L V10 SFI Engine	DEC = 6-Speed Manual Transmission
X = SPECIAL		27 = 2-DR CONVERTIBLE		

AR = use ase required - = Non illustrated part

2008 ZB

Decklid - 27 Body  
Figure 60-1120



ITEM	PART NUMBER	QTY	LINE	SERIES	BODY	ENGINE	TRANS	TRIM	DESCRIPTION
Note: Sales Code: [SDP] = Service Dealer Paint									
1	04865482AH	1	D		27				DECKLID
2	04763384AD	1	D		27, 29				STRIKER, Backlite
3	06101651	1							SCREW, Hex Head, M6x1x16
4	06101651	1							RIVET, Blind Bulb, [.125x.445], (NOT SERVICED)
5	06100877	4	D		27, 29				WASHER, Flat, M6
6	05029156AC	1	D		27				LATCH, Decklid
7	06101718	2	D		27, 29				SCREW AND WASHER, Oval Head, M6x1x25
8									HINGE, Deck Lid
	04865618AB	1	D		27				Right
	04865619AB	1	D		27				Left
9	04865981AA	2	D		27				PROP, Deck Lid
10	06101636	6	D		27				SCREW AND WASHER, Hex Head, M8x1.25x25
11	06101636	6	D		27				SCREW AND WASHER, Hex Head, M8x1.25x25
12	05030588AA	1	D		27				ISOLATOR, Decklid
13	05029232AA	2	D		27				BUMPER, Deck Lid Overslam
14	05256749	2	D		27				BUMPER, Deck Lid Adjuster
15	06035625	4	D		27, 29				SCREW, [.190-16x.750]
16	04865876AA	1	D		27				BRACKET, Key Cylinder
17	05029349AC	1	D		27				WEATHERSTRIP, Decklid
18	05029210AA	2	D		27				BRACKET, Deck Lid Overslam
19	06034844	4	D		27				RIVET, Blind, .250x.375/.562
20	05029179AA	6	D		27, 29				BUMPER, Hood
-21	05029179AA	6							WATERDAM, Liftgate, (NOT SERVICED)
-22	04865778AA	1	D		27				BRACKET, Deck Lid Striker Mounting
23	05029766AA	2	D		27, 29				DEFLECTOR, Air
-24	05029623AA	1	D		27				PLATE, Decklid Stabilizer

VIPER (ZB)

SERIES	LINE	BODY	ENGINE	TRANSMISSION
S = SPORT	D = DODGE	29 = SPECIALTY COUPE	EWE = 8.4L V10 SFI Engine	DEC = 6-Speed Manual Transmission
X = SPECIAL		27 = 2-DR CONVERTIBLE		

AR = use ase required - = Non illustrated part